



**Universal Mount Kit**  
**Z Master® Professional 2000 Series Riding Mower**  
 Model No. 145-3688

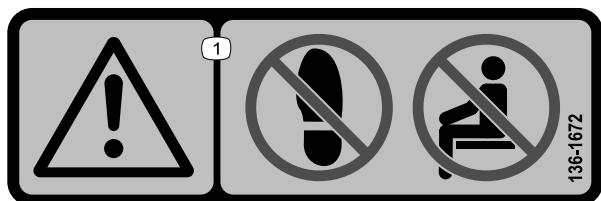
**Installation Instructions**

# Safety

## Safety and Instructional Decals



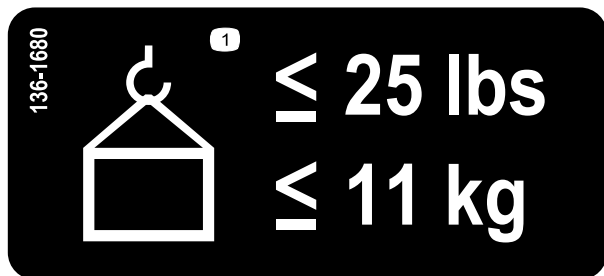
Safety decals and instructions are easily visible to the operator and are located near any area of potential danger. Replace any decal that is damaged or lost.



decal136-1672

**136-1672**

1. Warning—do not step; no riders.



decal136-1680

**136-1680**

1. Maximum weight is 11 kg (25 lb)



# Installation

## Loose Parts

Use the chart below to verify that all parts have been shipped.

Description	Qty.	Use
No parts required	—	Prepare the machine.
Upper mount Main bracket Top bracket Lower support bracket Welded support bracket Carriage bolt (5/16 x 7/8 inch) Nut (5/16 inch) Knob Hinge bracket Nut (1/4 inch) Bolt (1/4 x 4-1/4 inches)	1 1 1 1 1 4 3 1 1 1 1	Install the kit.
Bolt (5/16 x 1 inch) Nut (5/16 inch)—use only 4 for 2017 and older machines Carriage bolt (5/16 x 7/8 inch)—use only 1 for 2017 and older machines Inner support bracket—2018 and newer machines only Left pod support bracket—2021 and newer machines only Thread-forming screw (3/8 x 1 inch)—2021 and newer machines only	3 6 4 1 1 2	Mount the kit to the machine.
Front-weight kit (sold separately)	1	Install a front-weight kit (if needed).

## Preparing the Machine

1. Park the machine on a level surface.
2. Move the motion-control levers to the NEUTRAL-LOCK position.
3. Engage the parking brake.
4. Shut off the engine and remove the key.

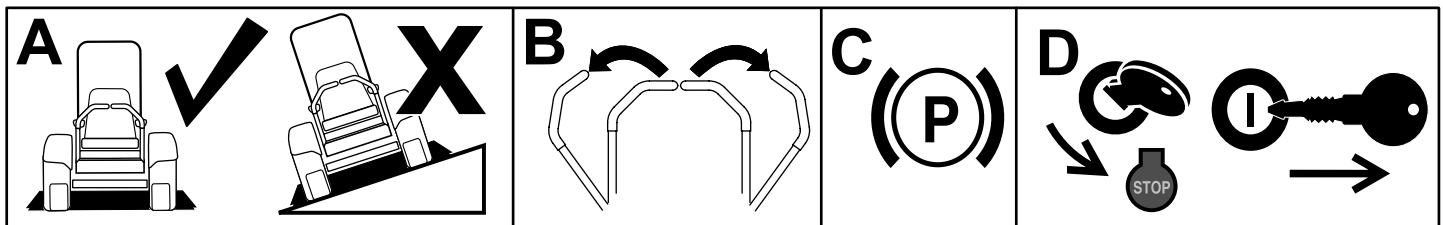


Figure 1

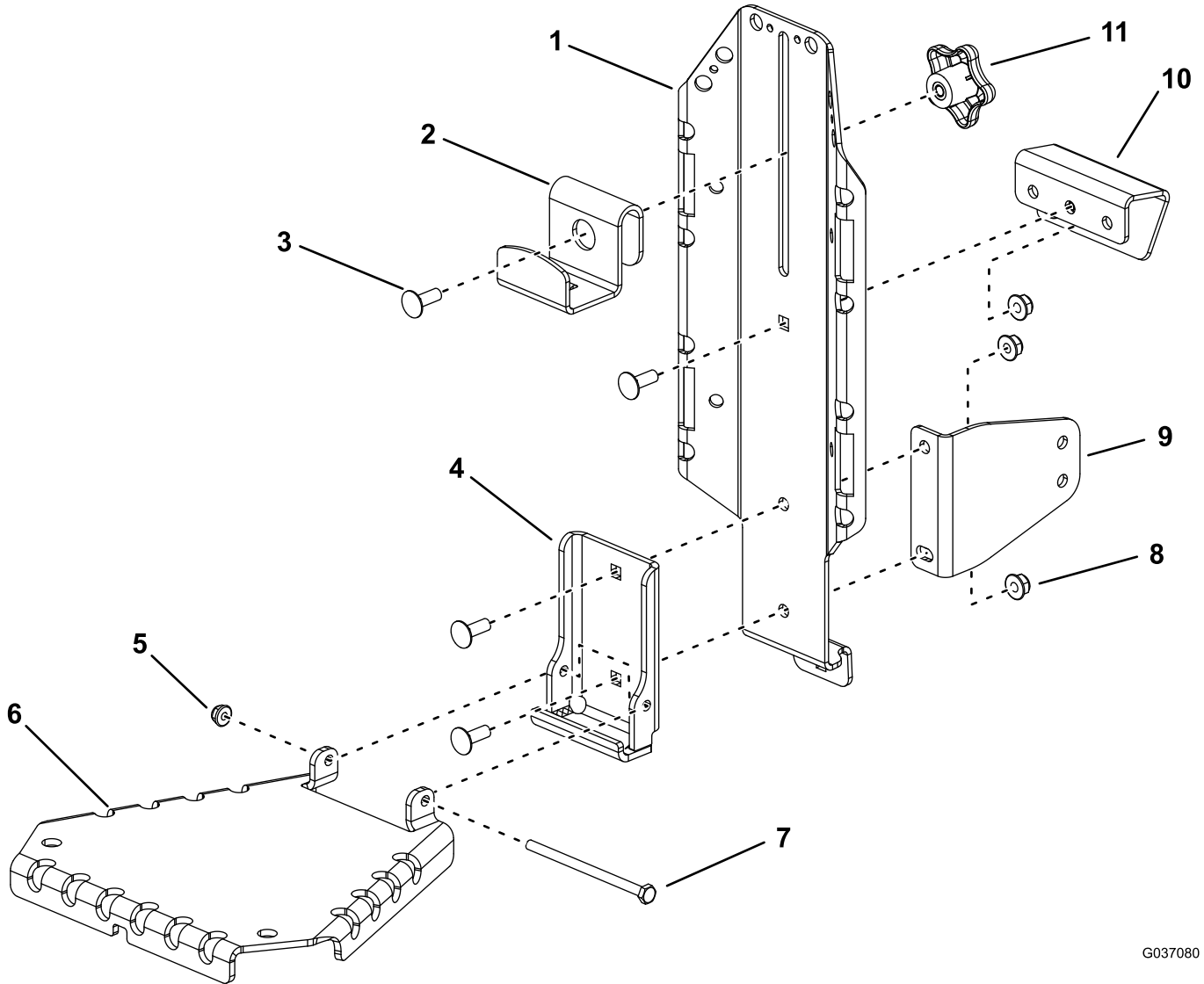
g037289  
g037289

# Assembling the Kit

Assemble the kit as shown in [Figure 2](#). Ensure to loosely install the upper mount to the main bracket; refer to [Figure 3](#) to determine which hole to use in the upper mount.

**Note:** Do not overtighten the bolt (1/4 x 4-1/4 inches) and nut (1/4 inch); the hinge bracket must pivot freely.

**Note:** Install the lower support bracket only if you are mounting the kit in front of the rear tires. Install the bracket so that the large face is oriented rearward on the machine; [Figure 2](#) shows the bracket orientation for mounting the kit on the left side of the machine.



G037080

g037080

**Figure 2**

- |                                    |                           |                                      |                 |
|------------------------------------|---------------------------|--------------------------------------|-----------------|
| 1. Main bracket                    | 4. Welded support bracket | 7. Bolt (1/4 x 4-1/4 inches)         | 10. Upper mount |
| 2. Top bracket                     | 5. Nut (1/4 inch)         | 8. Nut (5/16 inch)                   | 11. Knob        |
| 3. Carriage bolt (5/16 x 7/8 inch) | 6. Hinge bracket          | 9. Lower support bracket (if needed) |                 |

For 2021 and newer machines, you cannot install the kit in front of the rear tire on the right side of the machine.

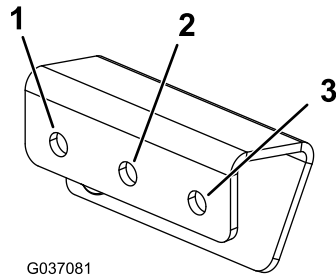


Figure 3

1. Use this hole if you are mounting the kit in front of the left, rear tire.
2. Use this hole if you are mounting the kit in any location behind the rear tires.
3. Use this hole if you are mounting the kit in front of the right, rear tire (**cannot install in this location on 2021 and newer machines**).

## Mounting the Kit to the Machine

### Mounting Locations

You can mount this kit in 6 locations on the machine (Figure 4). Refer to 1 of the following procedures to mount the kit in the desired location.

**Note:** For 1500 Series Titan HD machines, you can only mount the kit in the 2 locations in front of the rear tires.

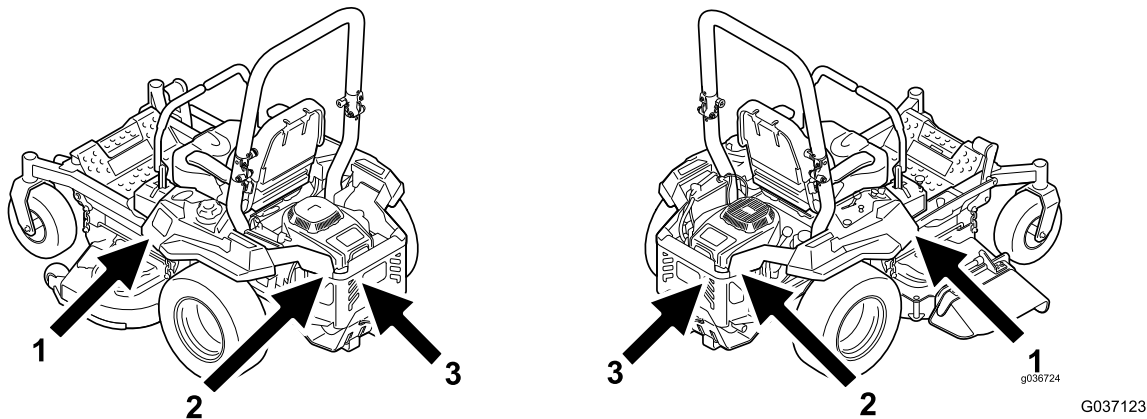


Figure 4

1. In front of the rear tire (**cannot install in front of the right, rear tire on 2021 and newer machines**)
2. Side of the engine guard
3. Rear engine guard

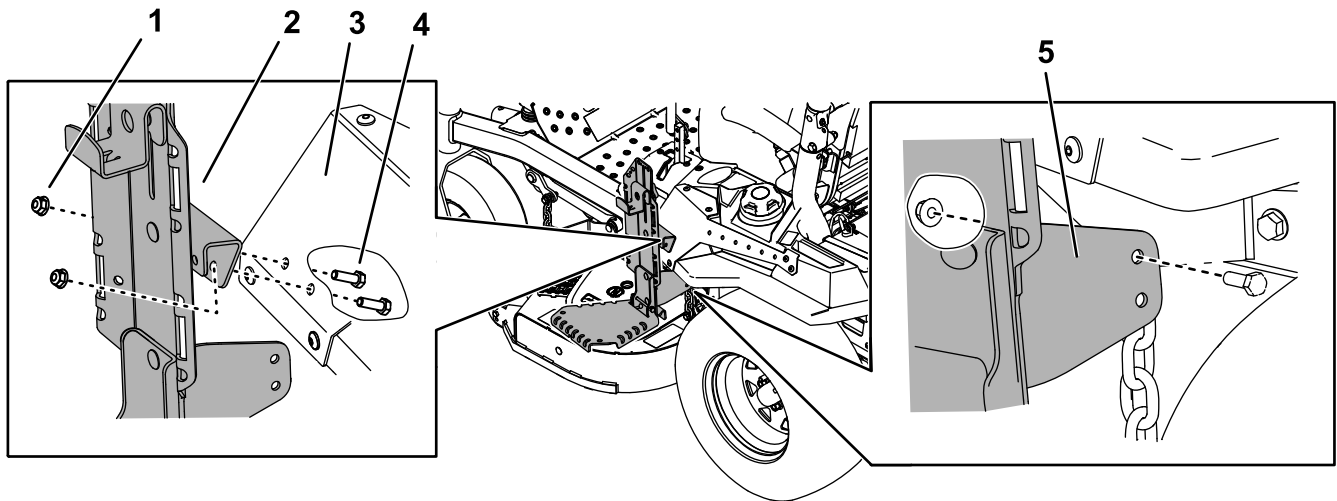
# Mounting the Kit in Front of the Rear Tires

## For 2017 and Older Machines

1. Secure the mount assembly to the console cover using 2 bolts (5/16 x 1 inch) and 2 nuts (5/16 inch) as shown in [Figure 5](#) or [Figure 6](#).
2. Tighten the fasteners securing the upper mount to the main bracket.
3. Secure the lower support bracket to the rear side of the bracket under the console cover using 1 bolt (5/16 x 1 inch) and 1 nut (5/16 inch) as shown in [Figure 5](#) or [Figure 6](#).

**Note:** You will not use the bottom hole in the main bracket or lower support bracket.

**Note:** Ensure that the assembly is vertical. If it hangs at an angle, the lower support bracket may be installed incorrectly.

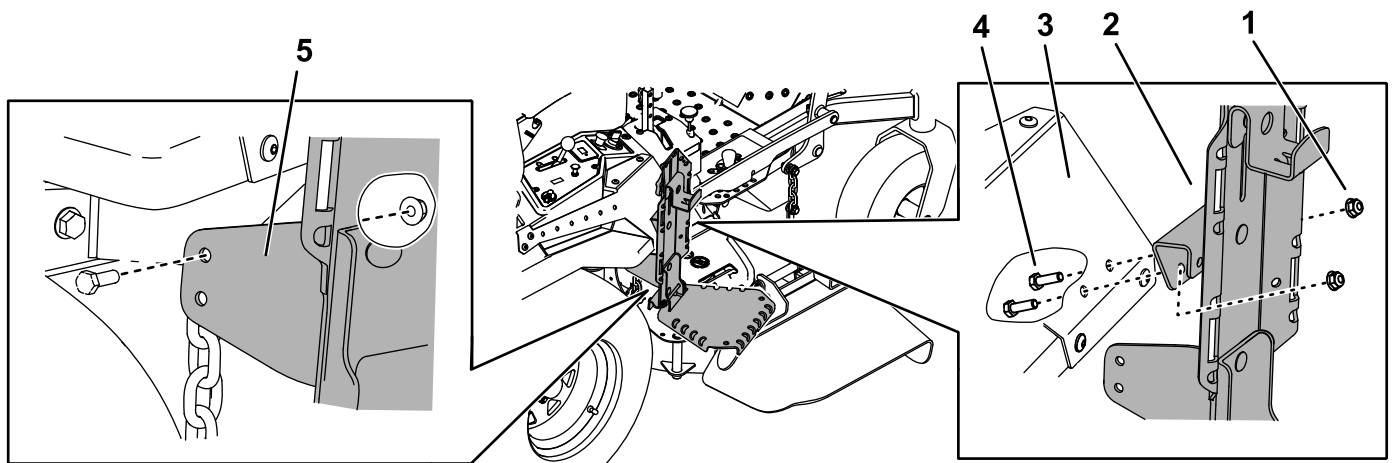


g213937

**Figure 5**

Mounting the kit to the left side of the machine

- |                    |                         |                          |
|--------------------|-------------------------|--------------------------|
| 1. Nut (5/16 inch) | 3. Console cover        | 5. Lower support bracket |
| 2. Mount assembly  | 4. Bolt (5/16 x 1 inch) |                          |



g213938

**Figure 6**

Mounting the kit to the right side of the machine

- |                    |                         |                          |
|--------------------|-------------------------|--------------------------|
| 1. Nut (5/16 inch) | 3. Console cover        | 5. Lower support bracket |
| 2. Mount assembly  | 4. Bolt (5/16 x 1 inch) |                          |

# Mounting the Kit in Front of the Rear Tires

## For 2018 and Newer Machines

1. For 2021 and newer machines only, do the following:

A. Remove the 2 torx-head screws (1/4 x 1-5/16 inches) and 2 locknuts (1/4 inch) from the left pod (Figure 7).

Retain the 2 torx-head screws (1/4 x 1-5/16 inches) and 2 locknuts (1/4 inch).

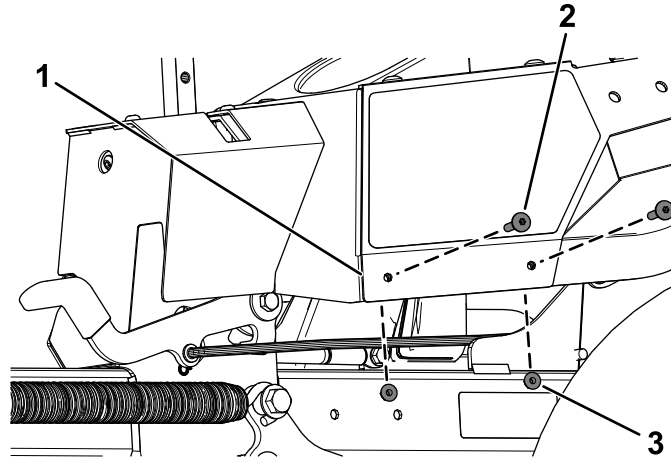


Figure 7

g363197

- 1. Left pod
- 2. Torx-head screw (1/4 x 1-5/16 inches)
- 3. Locknut (1/4 inch)

B. Secure the left pod support bracket using the 2 new thread-forming screws (3/8 x 1 inch) and the previously removed 2 torx-head screws (1/4 x 1-5/16 inches) and 2 locknuts (1/4 inch) as shown in Figure 8.

**Note:** Ensure that you install the left pod support bracket behind the left pod. Do not install the bracket between the pod and cladding piece.

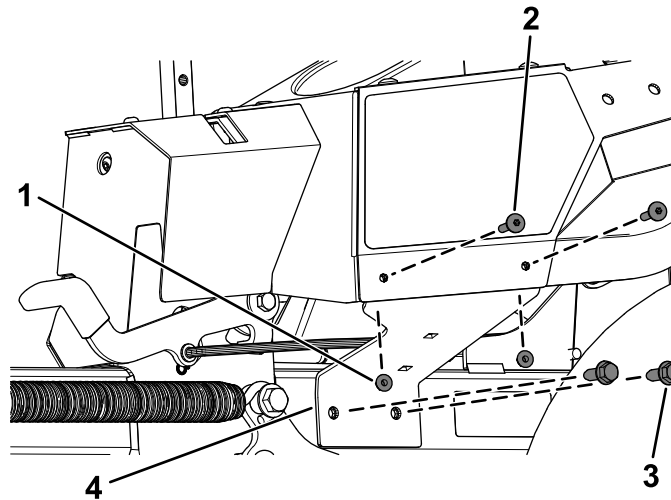


Figure 8

g363196

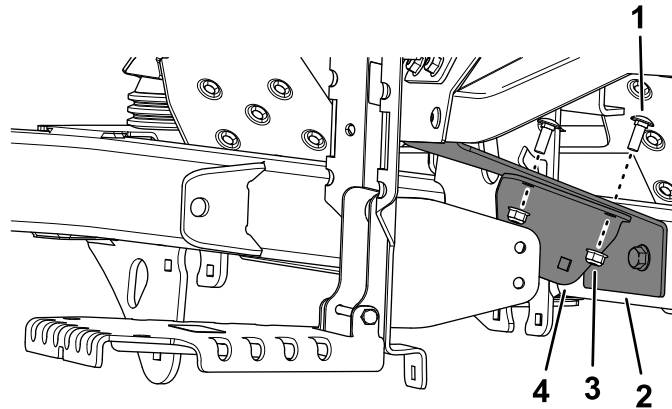
- 1. Previously removed locknut (1/4 inch)
- 2. Previously removed torx-head screw (1/4 x 1-5/16 inches)
- 3. New thread-forming screw (3/8 x 1 inch)
- 4. Left pod support bracket

- 2. Secure the mount assembly to the console cover using 2 bolts (5/16 x 1 inch) and 2 nuts (5/16 inch) as shown in Figure 5 or Figure 6.
- 3. Tighten the fasteners securing the upper mount to the main bracket.

- Secure the inner support bracket to the pod support bracket using 2 carriage bolts (5/16 x 7/8 inch) and 2 nuts (5/16 inch) as shown in [Figure 9](#).

When installing the inner support bracket on the **left** side of the machine, orient the inner support bracket as shown in [Figure 10](#).

When installing the inner support bracket on the **right** side of the machine, orient the inner support bracket as shown in [Figure 11](#).



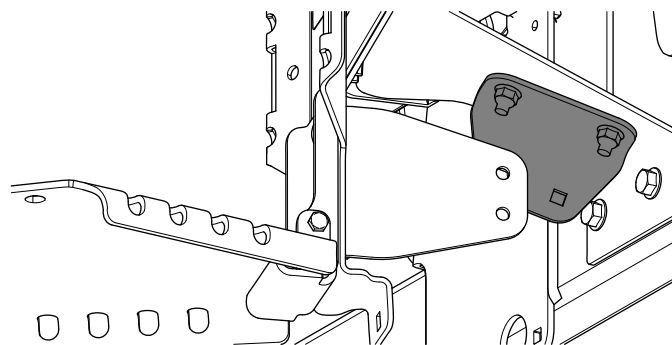
**Figure 9**

Mounting the kit to the left side of the machine

g225566

- Carriage bolt (5/16 x 7/8 inch)
- Pod support bracket

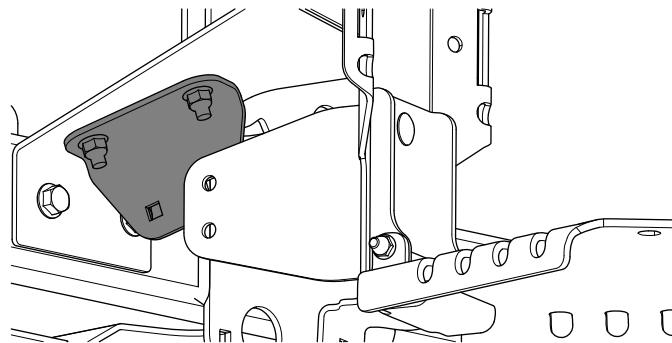
- Nut (5/16 inch)
- Inner support bracket



**Figure 10**

Mounting the kit to the left side of the machine

g225567



**Figure 11**

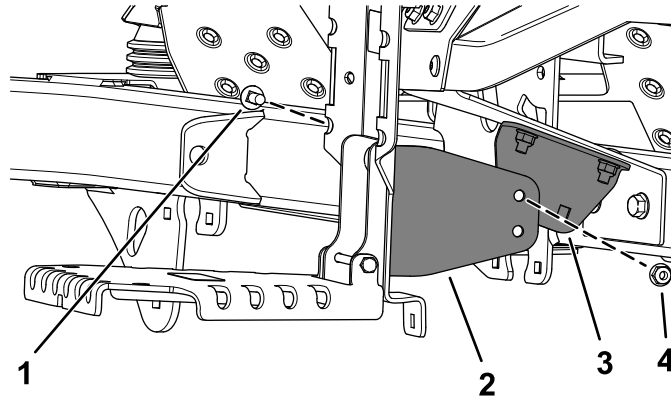
Mounting the kit to the right side of the machine—cannot install in this location on 2021 and newer machines

g225568

- Secure the lower support bracket to the inner support bracket under the console cover using 1 bolt (5/16 x 7/8 inch) and 1 nut (5/16 inch) as shown in [Figure 12](#).

**Note:** You will not use the bottom hole in the main bracket or lower support bracket.

**Note:** Ensure that the assembly is vertical. If it hangs at an angle, the lower support bracket may be installed incorrectly.



g225565

**Figure 12**

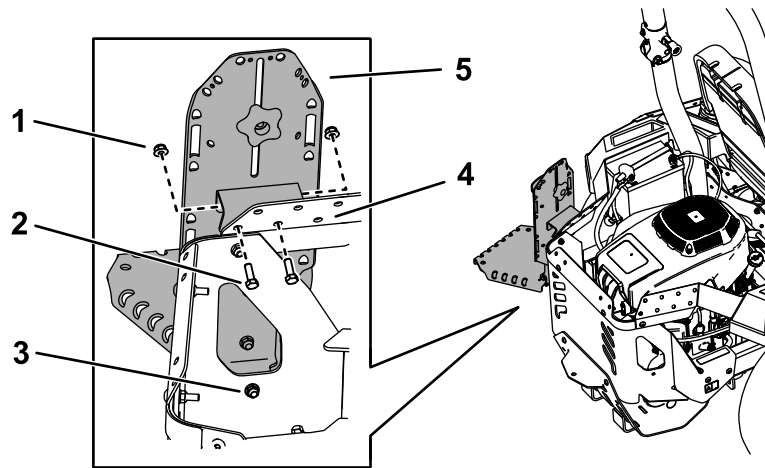
Mounting the kit to the left side of the machine

- |                                    |                          |
|------------------------------------|--------------------------|
| 1. Carriage bolt (5/16 x 7/8 inch) | 3. Inner support bracket |
| 2. Lower support bracket           | 4. Nut (5/16 inch)       |



## Mounting the Kit to the Side of the Engine Guard

1. Secure the mount assembly to the side upper guard using 2 bolts (5/16 x 1 inch) and 2 nuts (5/16 inch) as shown in [Figure 13](#) or [Figure 14](#).
2. Tighten the fasteners securing the upper mount to the main bracket.
3. Secure the bottom of the main bracket to the engine guard using 1 carriage bolt (5/16 x 7/8 inch) and 1 nut (5/16 inch) as shown in [Figure 13](#) or [Figure 14](#).

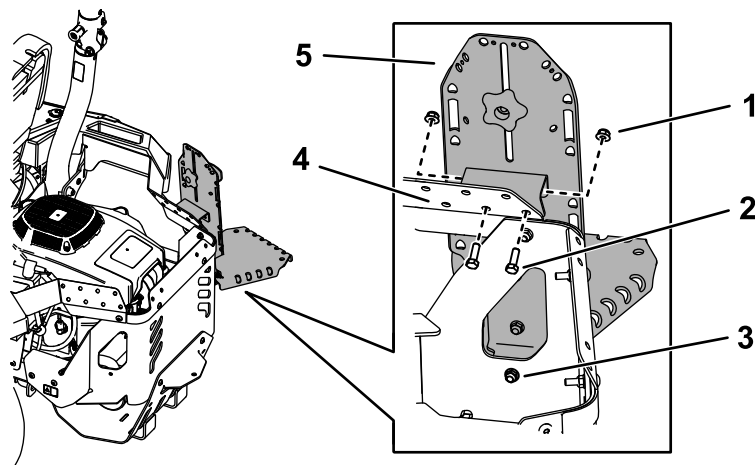


**Figure 13**

Mounting the kit to the left side of the engine guard

g213949

- |  |                     |
|--|---------------------|
| 1. Nut (5/16 inch)                                     | 4. Side upper guard |
| 2. Bolt (5/16 x 1 inch)                                | 5. Mount assembly   |
| 3. Carriage bolt (5/16 x 7/8 inch) and nut (5/16 inch) |                     |



**Figure 14**

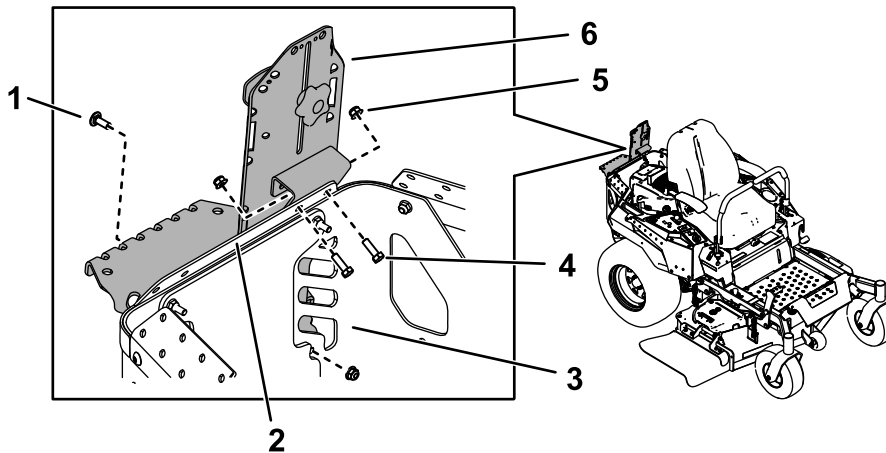
Mounting the kit to the right side of the engine guard

g213950

- |  |                     |
|--|---------------------|
| 1. Nut (5/16 inch)                                     | 4. Side upper guard |
| 2. Bolt (5/16 x 1 inch)                                | 5. Mount assembly   |
| 3. Carriage bolt (5/16 x 7/8 inch) and nut (5/16 inch) |                     |

# Mounting the Kit to the Rear Engine Guard

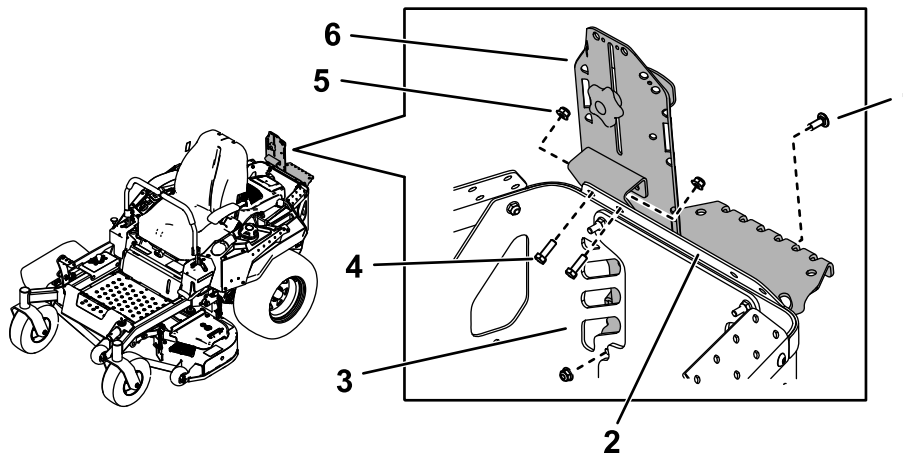
1. Secure the mount assembly to the rear upper guard using 2 bolts (5/16 x 1 inch) and 2 nuts (5/16 inch) as shown in [Figure 15](#) or [Figure 16](#).
2. Tighten the fasteners securing the upper mount to the main bracket.
3. Secure the bottom of the main bracket to the rear engine guard using 1 carriage bolt (5/16 x 7/8 inch) and 1 nut (5/16 inch) as shown in [Figure 15](#) or [Figure 16](#).



**Figure 15**

Mounting the kit to the left side of the rear engine guard (roll bar not shown for clarity)

- |                                    |                         |                    |
|------------------------------------|-------------------------|--------------------|
| 1. Carriage bolt (5/16 x 7/8 inch) | 3. Rear engine guard    | 5. Nut (5/16 inch) |
| 2. Rear upper guard                | 4. Bolt (5/16 x 1 inch) | 6. Mount assembly  |



**Figure 16**

Mounting the kit to the right side of the rear engine guard (roll bar not shown for clarity)

- |                                    |                         |                    |
|------------------------------------|-------------------------|--------------------|
| 1. Carriage bolt (5/16 x 7/8 inch) | 3. Rear engine guard    | 5. Nut (5/16 inch) |
| 2. Rear upper guard                | 4. Bolt (5/16 x 1 inch) | 6. Mount assembly  |

# Installing a Front-Weight Kit

## For Machines with 2 or More Accessory-Mount Kits

If 2 or more accessory-mount kits (i.e., bucket kit or universal mount kit) are added to any of the 4 locations shown in [Figure 17](#), add a front-weight kit. Contact your Authorized Service Dealer for the front-weight kit.

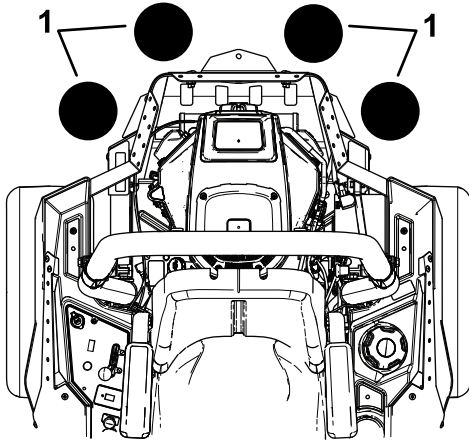


Figure 17

g037417

1. Add a front-weight kit when 2 or more accessory-mount kits are installed at these positions.

# Operation

## Mounting Attachments

Use only Toro-approved attachments and accessories. The maximum capacity is 11.3 kg (25 lb).

Use the top bracket and hinge bracket for mounting attachments or accessories; secure them using the holes in the mounting brackets.

Secure the hinge bracket when not in use; refer to [Securing the Hinge Bracket](#) (page 12).

# Mounting a Bucket

**Note:** If desired, you can remove the hinge bracket and mount the bucket using the welded support bracket.

1. Loosen the knob and raise the top bracket. Tighten the knob to hold it in place ([Figure 18](#)).
2. If you removed the hinge bracket, place the bottom lip of the bucket over the bottom ledge of the welded support bracket ([Figure 18](#)).
3. Loosen the knob and lower the top bracket as far as possible over the rim of the bucket. Tighten the knob ([Figure 18](#)).

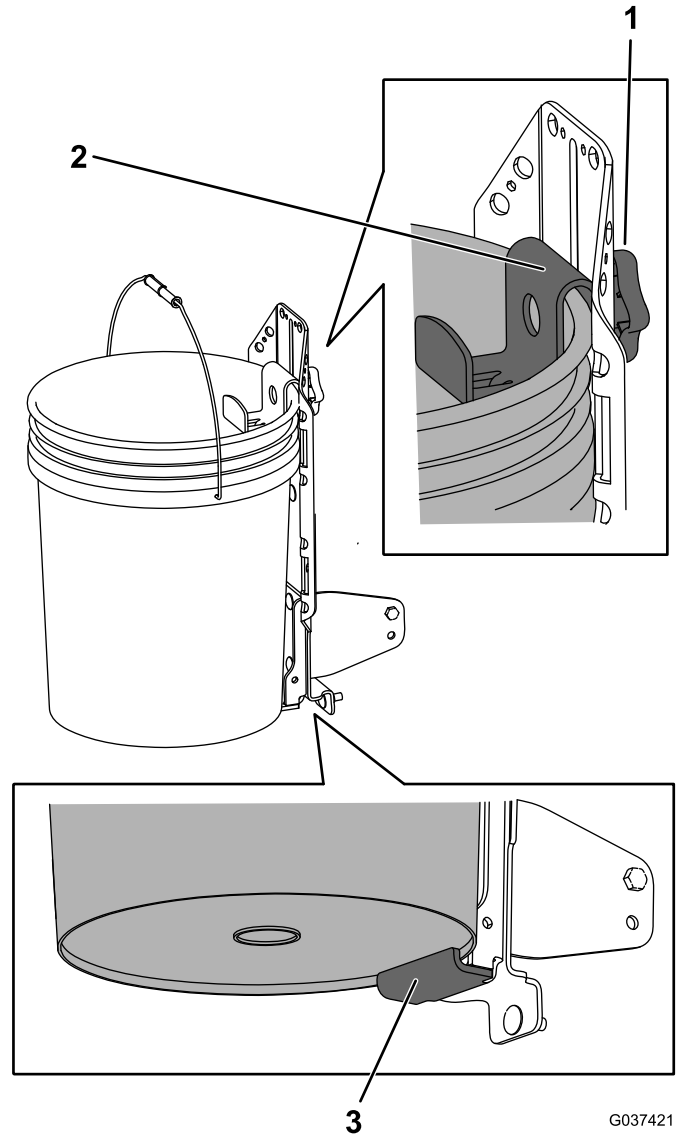


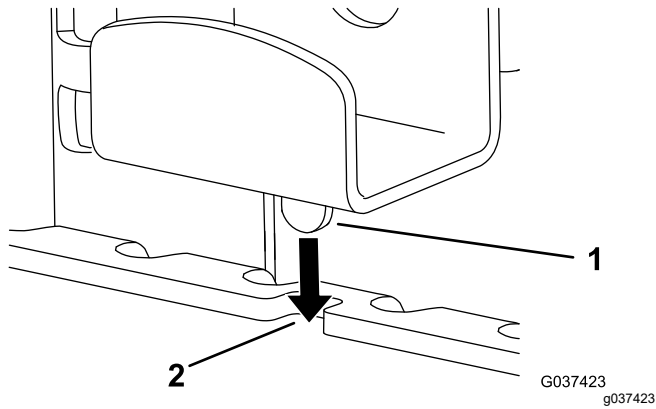
Figure 18

G037421  
g037421

1. Knob
2. Top bracket over the rim of the bucket
3. Bottom ledge of the support bracket

## Securing the Hinge Bracket

1. Raise the hinge bracket.
2. Loosen the knob and lower the top bracket, inserting the tab into the notch in the hinge bracket (Figure 19).
3. Tighten the knob.



**Figure 19**

1. Tab in top bracket
  2. Notch in hinge bracket
-