



**Count on it.**

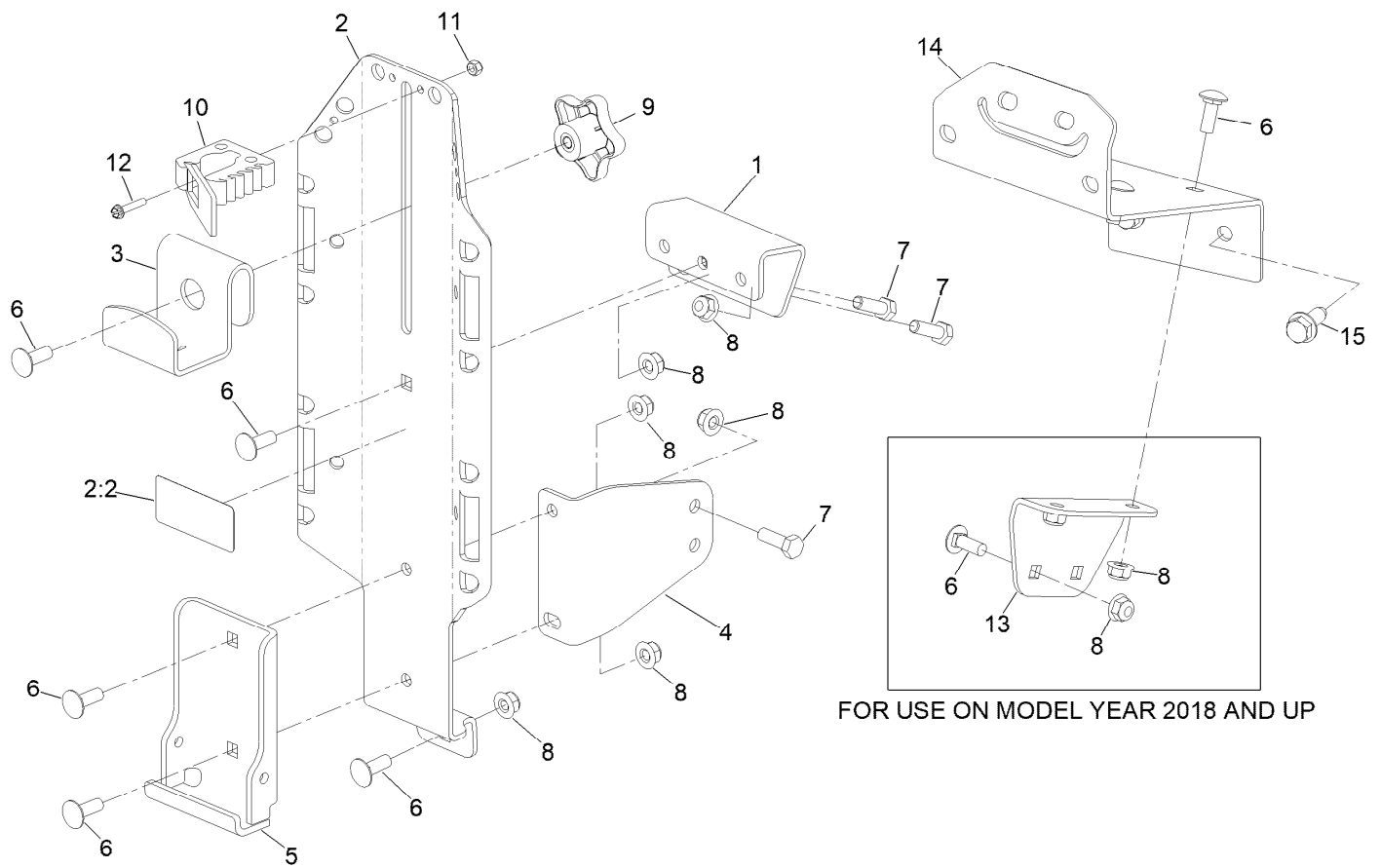
**Parts Catalog**

**Bucket Mount Kit**

**Z Master® Professional 2000 Series Riding Mower**

Model No. 145-3687





## Bucket Mount Assembly No. 145-3687

<i>Ref.</i>	<i>Part Number</i>	<i>Qty.</i>	<i>Description</i>	<i>Ref.</i>	<i>Part Number</i>	<i>Qty.</i>	<i>Description</i>
1	136-1653-03	1	Mount-Bucket, Upper	8	104-8300	9	Nut-HF, NI
2	136-1692	1	Mount Bracket ASM	9	106-4161	1	Knob-Handle
2:2	136-1680	1	Decal-Weight, Maximum	10	133-1899	1	Clamp-Quick Fist, Mini
3	133-1897-03	1	Bracket-Top	11	3296-1	1	Nut-Lock
4	133-1888-03	1	Bracket-Support, Lower	12	32105-29	1	Screw-SHWH
5	133-1894-03	1	Bracket-Support, Hinge	13	136-9031-03	1	Bracket-Support, Inner
6	3230-10	8	Bolt-CARR	14	136-9029-01	1	Bracket-Support, Pod (LH)
7	322-5	3	Screw-HH	15	126-1696	2	Screw-HWHTF