



**Count on it.**

**Parts Catalog**

**20in Turf Seeder**

Model No. 33512—Serial No. 409200000 and Up



# Ordering Replacement Parts

To order replacement parts, please supply the part number, the quantity, and the description of each part desired.

## Understanding Reference Numbers

Each identified part in an illustration has a reference number. The reference number for a part also appears in the parts list, along with other information about the part.

This catalog uses two special reference number formats, one to indicate parts in a service assembly and another to indicate the quantity of a given part in an illustration.

## Service Assembly Reference Numbers

Parts in service assemblies have reference numbers in the form a:b. The a represents the reference number of the entire service assembly and the b represents a sequential number unique to each part within the service assembly.

For example, a wheel assembly might be identified by reference number 6, the tire by 6:1, the valve by 6:2, and the wheel by 6:3. When you order the assembly identified by reference number 6, you receive all parts identified by reference numbers 6:1, 6:2, and 6:3. However, you may also order any part individually. Reference numbers of this type appear in illustration and in parts lists.

## Reference Numbers Indicating Quantity

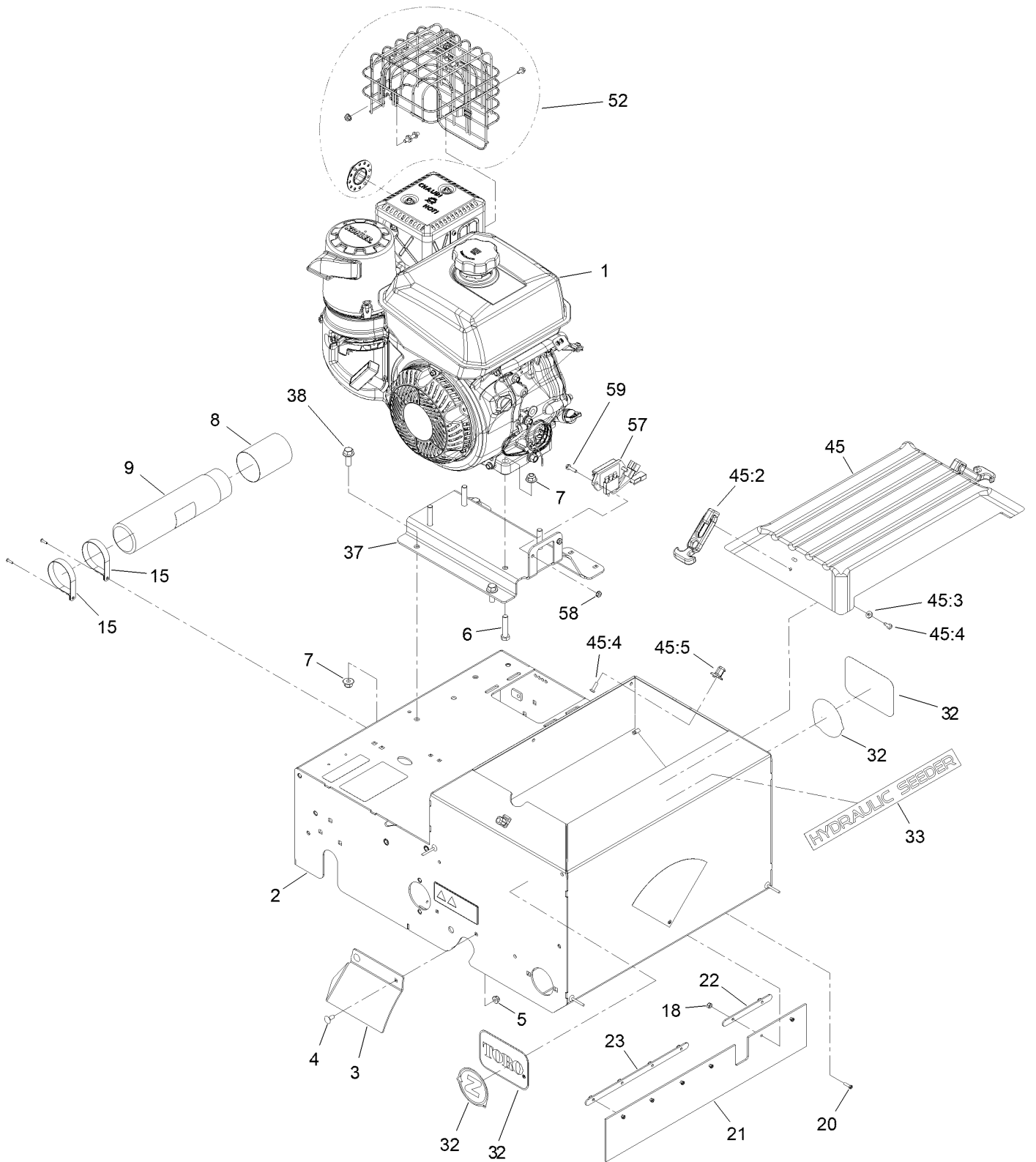
In an illustration, if a reference number indicates more than one part, the reference number has the form nX y. The n represents the quantity of the part, the X is the multiplication symbol, and the y represents the reference number.

For example, in an illustration, the reference number 2X 37 means that two of the parts identified by reference number 37 are indicated.

# Contents

Engine Assembly .....	4
Main Frame Assembly No. 142-5544 .....	6
Handle Assembly .....	8
Cutting Wheel Assembly .....	10
Shaft Assembly .....	12
Seed Gate Assembly .....	14
Belt Drive Assembly .....	16
Transmission Assembly .....	18
Transmission Assembly No. 121-1908 .....	20

# Engine Assembly



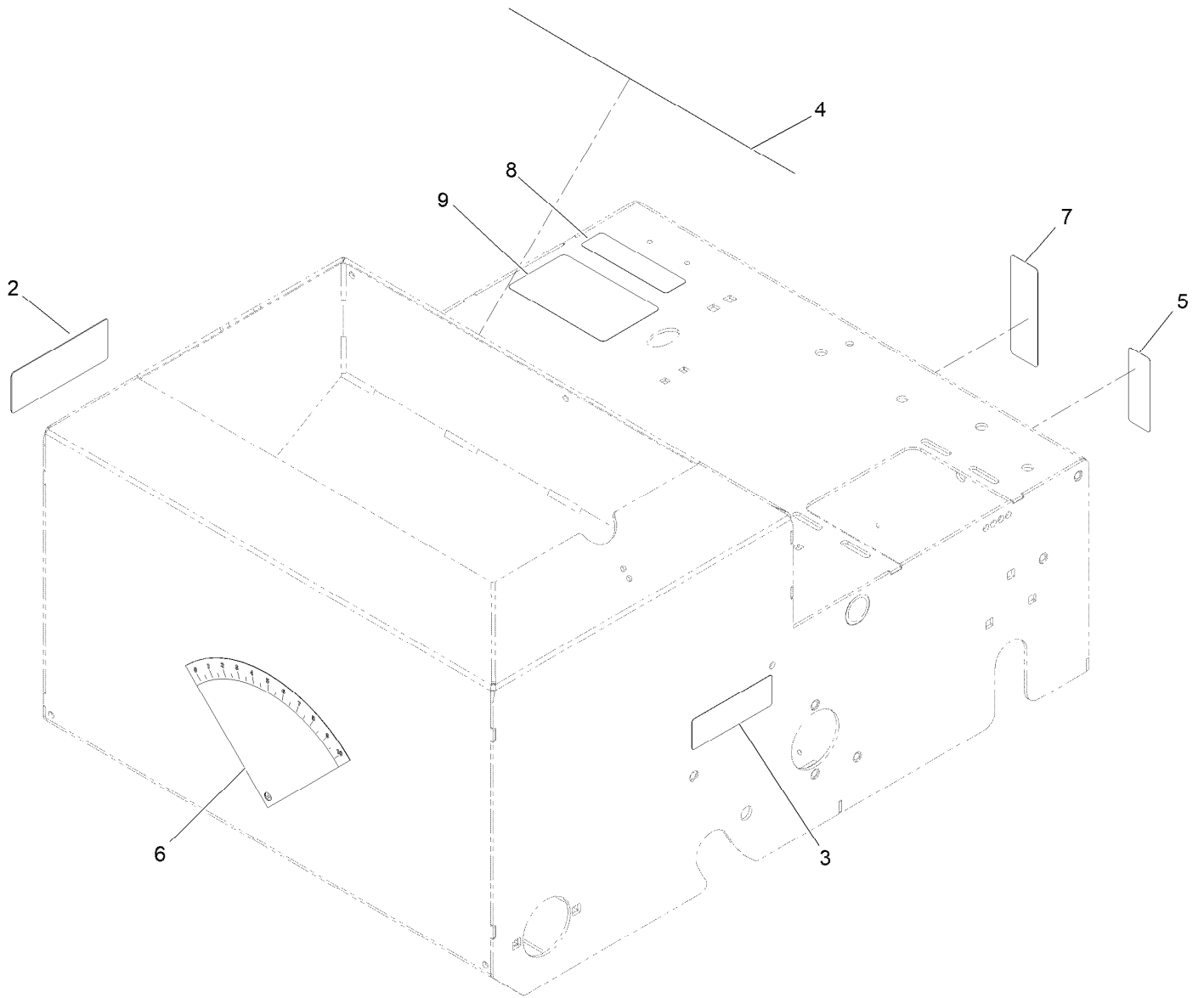
## Engine Assembly (continued)

<i>Ref.</i>	<i>Part Number</i>	<i>Qty.</i>	<i>Description</i>	<i>Ref.</i>	<i>Part Number</i>	<i>Qty.</i>	<i>Description</i>
1		1	Engine-Kohler, Ch395 ● ■	23	121-1992	1	Plate-Retainer
2	142-5544	1	Frame-Service ASM	32	67-1300	2	Decal
3	121-1896-01	1	Guard-RH	33	121-6177	1	Decal
4	3229-11	2	Screw-CARR	37	135-0690-01	1	Plate-Engine
5	104-7201	2	Nut-HF, NI	38	3234-42	3	Screw-HHF
6	323-9	4	Screw-HH	45	126-1665	1	Seeder Cover Kit
7	104-8301	7	Nut-HF, NI	45:2	103-4080	2	Latch-Rubber
8	104-7048	1	Cap-Housing	45:3	3256-14	4	Washer-Flat
9	104-7050	1	Tube-Manual	45:4	3290-500	6	Screw-PPH
15	2412-120	2	Clamp-R	45:5	103-4081	2	Latch-Keeper
18	3296-1	6	Nut-Lock	52	135-7340	1	Kit-Ch395 Muffler Guard
20	3290-392	6	Screw-SHH	57	135-3924	1	Regulator
21	121-1990	1	Guard-Dust	58	32149-7	2	Nut-Keps
22	121-1991	1	Plate-Retainer	59	32105-13	2	Screw-HWH

● Not serviced separately

■ Obtain parts from [www.kohlerplus.com](http://www.kohlerplus.com)

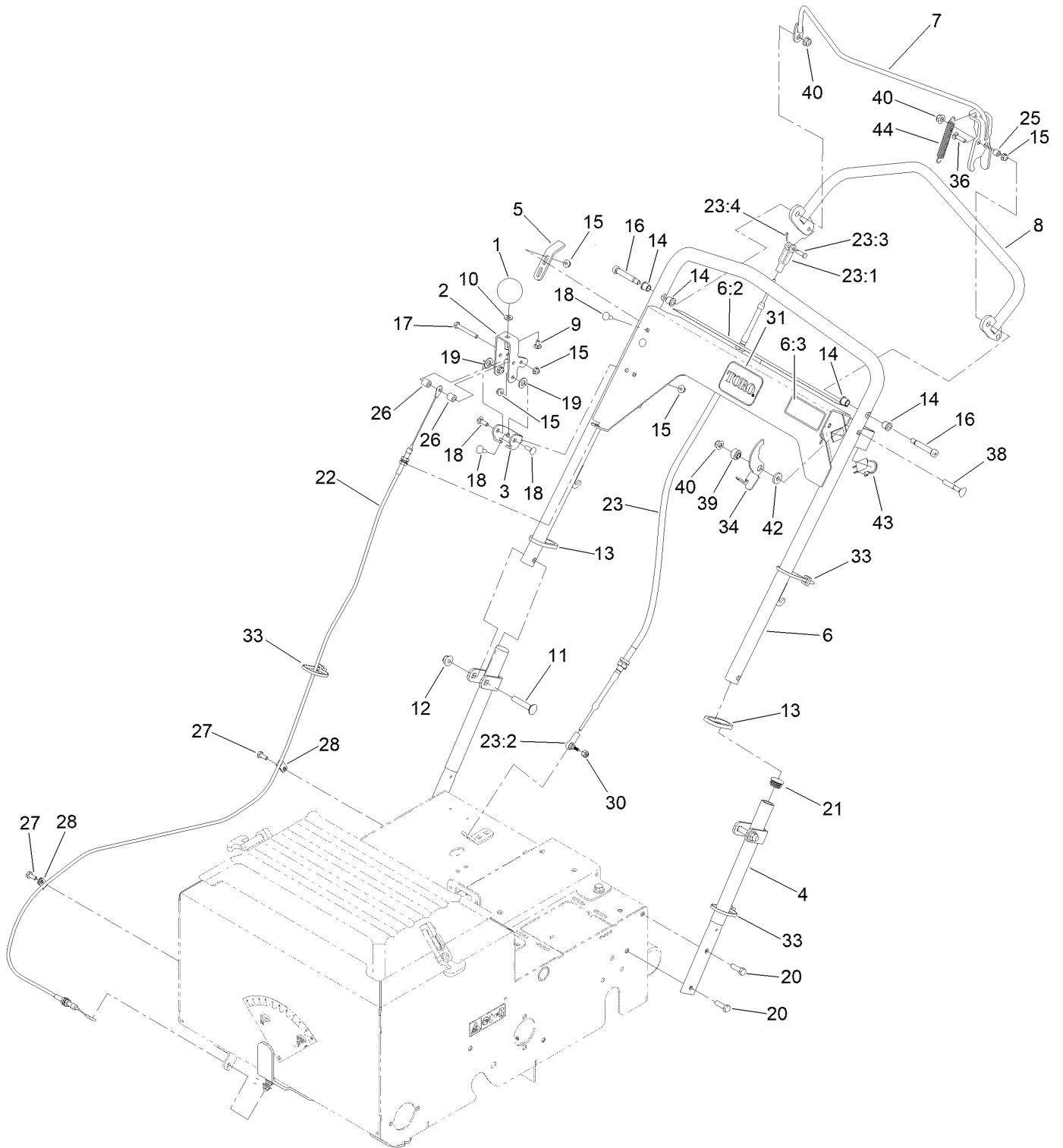
# Main Frame Assembly No. 142-5544



## Main Frame Assembly No. 142-5544 (continued)

<i>Ref.</i>	<i>Part Number</i>	<i>Qty.</i>	<i>Description</i>	<i>Ref.</i>	<i>Part Number</i>	<i>Qty.</i>	<i>Description</i>
2	93-7321	1	Decal-Danger	6	116-8535	1	Decal-Flow, Seed
3	117-4979	1	Decal-Warning, Shields	7	121-6203	1	Decal-Bypass
4	121-2011	1	Decal-Warning	8	133-8062	1	Decal-Arrestor, Spark
5	115-9625	1	Decal-Brake, Parking	9	126-0296	1	Decal-Aid, Service

# Handle Assembly



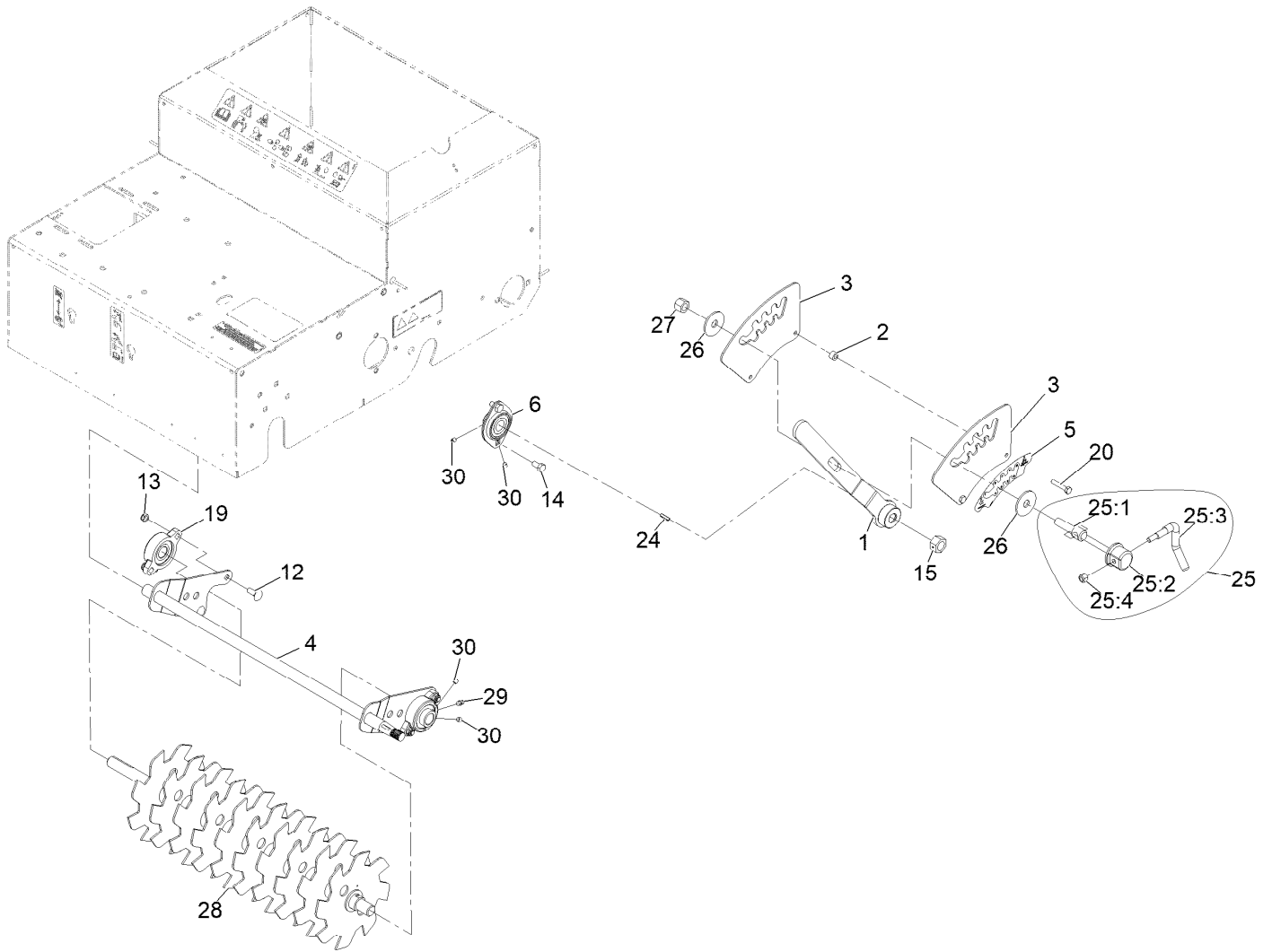


## Handle Assembly (continued)

<i>Ref.</i>	<i>Part Number</i>	<i>Qty.</i>	<i>Description</i>	<i>Ref.</i>	<i>Part Number</i>	<i>Qty.</i>	<i>Description</i>
1	121-1877	1	Knob-Rate, Flow	21	121-4870	2	Plug
2	121-1878	1	Lever-Adjust, Flow	22	126-0042	1	Cable-Flow, Seed
3	121-1879	1	Bracket-Adjust, Flow	23	116-8252	1	Cable-Push Pull
4	121-1893-03	2	Handle-Lower	23:1	121-2000	1	Clevis
5	121-1928	1	Bracket-Adjust, Drive	23:2	117-9720	1	Ball Joint
6	116-9735	1	Handle	23:3	283-67	1	Pin-Clevis
6:2	116-8648	1	Decal-Control Panel, Seeder	23:4	3272-5	1	Pin-Cotter
6:3	116-8536	1	Decal-Safety Latch	25	66-8010	1	Spacer
7	126-0509-03	1	Bail-Clutch	26	22-7810	2	Spacer
8	121-1948-03	1	Handle-Drive	27	321-3	2	Screw-HH
9	3229-10	1	Screw-CARR ●	28	2412-149	2	Clamp-R
10	3256-22	1	Washer-Flat	30	3296-3	1	Nut-Lock
11	3231-6	2	Screw-CARR	31	70-2200	1	Decal
12	104-8301	2	Nut-HF, NI	33	3290-378	3	Tie-Cable
13	121-6202	2	Ring-Handle Lock	34	126-0205	1	Latch-Bail
14	103-9928	4	Bearing	36	3229-2	1	Screw-CARR
15	104-7201	8	Nut-HF, NI	38	112-8876	1	Screw-Handle
16	126-0277	2	Screw-Shoulder	39	116-2690	1	Bushing-Stepped
17	321-11	1	Screw-HH	40	104-8300	3	Nut-HF, NI
18	3229-1	6	Screw-CARR	42	88-7200	1	Washer-Flat
19	48-9220	2	Washer-Plain	43	82-2190	1	Switch-Bail
20	322-5	4	Screw-HH	44	95-3805	1	Spring

● Use Pro-Lock, Nut Type (P/N 1-840022, .5ml tube) on threads.

# Cutting Wheel Assembly

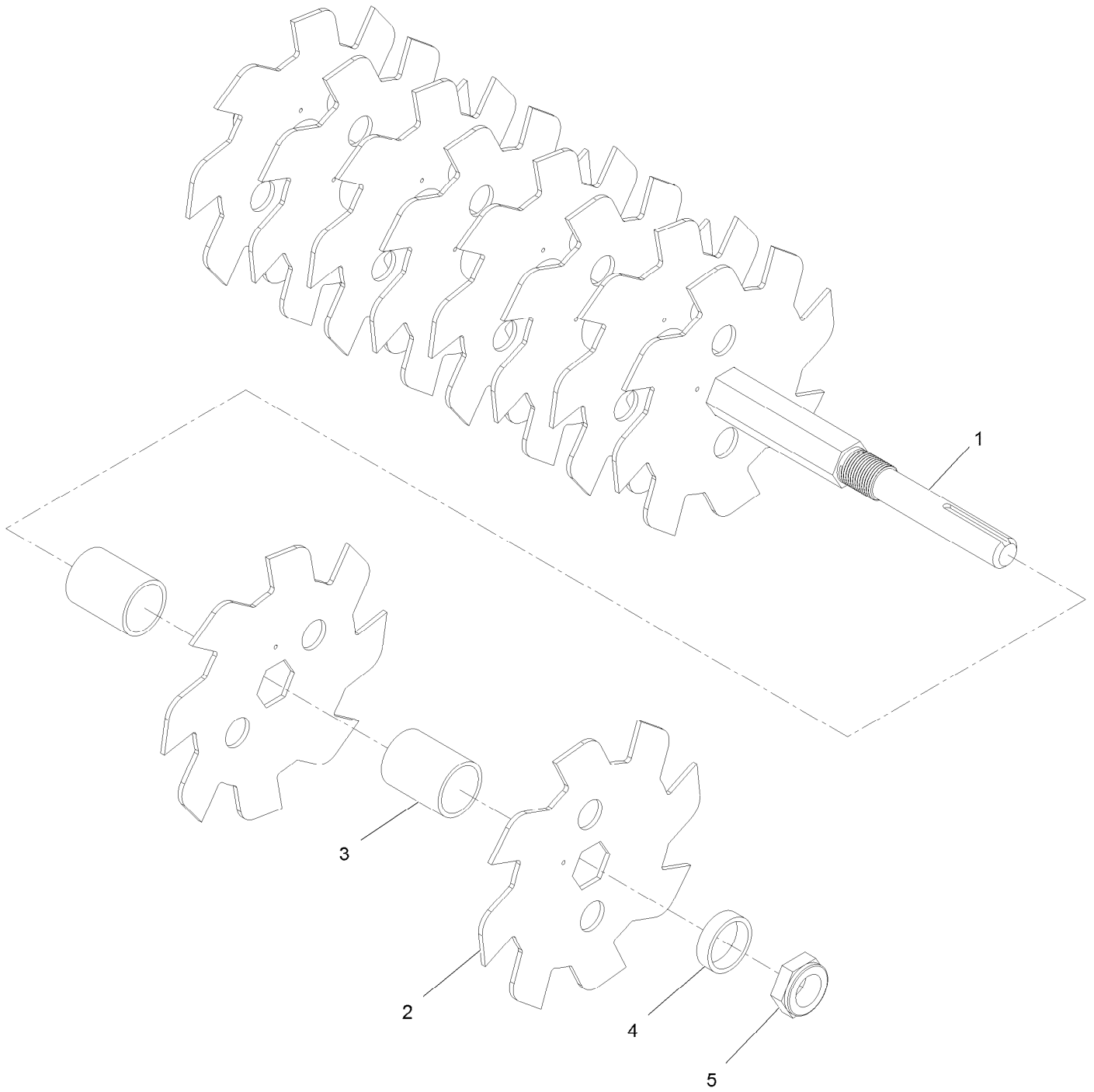


## Cutting Wheel Assembly (continued)

<i>Ref.</i>	<i>Part Number</i>	<i>Qty.</i>	<i>Description</i>	<i>Ref.</i>	<i>Part Number</i>	<i>Qty.</i>	<i>Description</i>
1	116-9932-03	1	Handle-Height	24	3257-5	1	Key-Woodruff #9 3/4 X 3/16
2	98-4799	2	Spacer	25	107-1664	1	Lever ASM
3	116-9928	2	Plate-Height	25:1	106-3239	1	Screw-Lock
4	126-0010-03	1	Pivot-Height	25:2	107-1644	1	Cap-Lock
5	126-2446	1	Decal-Cut Depth, Slicer/Seeder	25:3	106-3241	1	Lever-Lock
6	121-1961	2	Bearing	25:4	3296-29	1	Nut-Nyloc 5/16-18
12	3230-16	4	Bolt-Carriage 5/16-18 X 7/8	26	86-1990	2	Washer
13	3296-47	4	Nut-Nyloc 5/16-18 Thin	27	3296-23	1	Nut-Nyloc 1/2-13
14	322-2	4	Screw-HH 5/16-18 X 5/8	28	126-0034	1	Slicer Shaft ASM
15	603164	1	Nut-Blade	29	302-19	2	Zerk-1/4-28 Str ●
19	116-9992	2	Bearing-Flange	30	3245-35	8	Screw-Set HSH 1/4-28 X 1/4 ●
20	142-4837	2	Screw-HH				

● Use Pro-Lock, Nut Type (P/N 1-840022, .5ml tube) on threads.

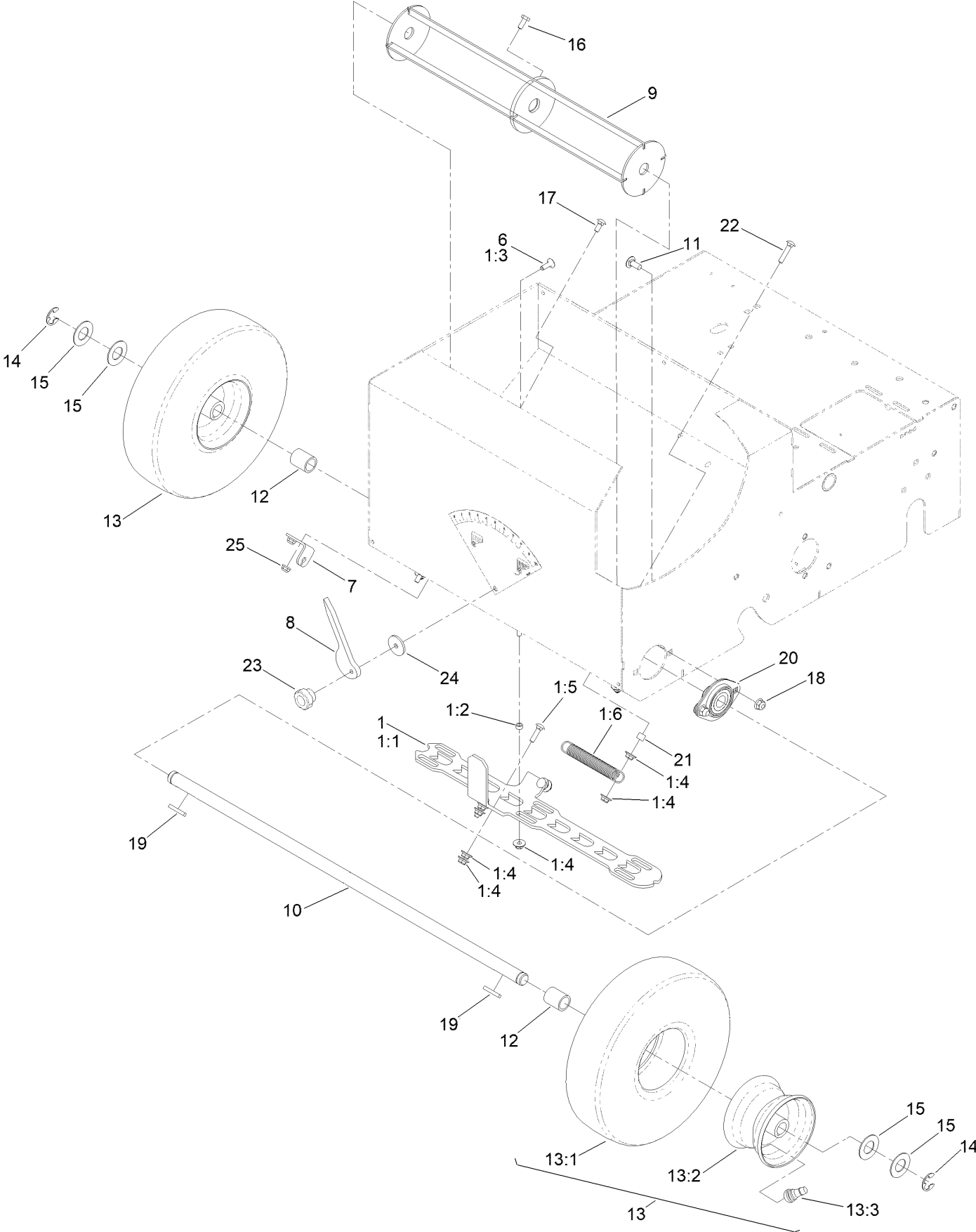
# Shaft Assembly



## Shaft Assembly (continued)

<i>Ref.</i>	<i>Part Number</i>	<i>Qty.</i>	<i>Description</i>	<i>Ref.</i>	<i>Part Number</i>	<i>Qty.</i>	<i>Description</i>
1	126-0009	1	Shaft-Slicer	4	126-0033	1	Spacer
2	135-3955	10	Blade-Cutting, Seeder	5	3296-60	1	Nut-Lock, NI
3	126-0041	9	Spacer-Blade				

# Seed Gate Assembly

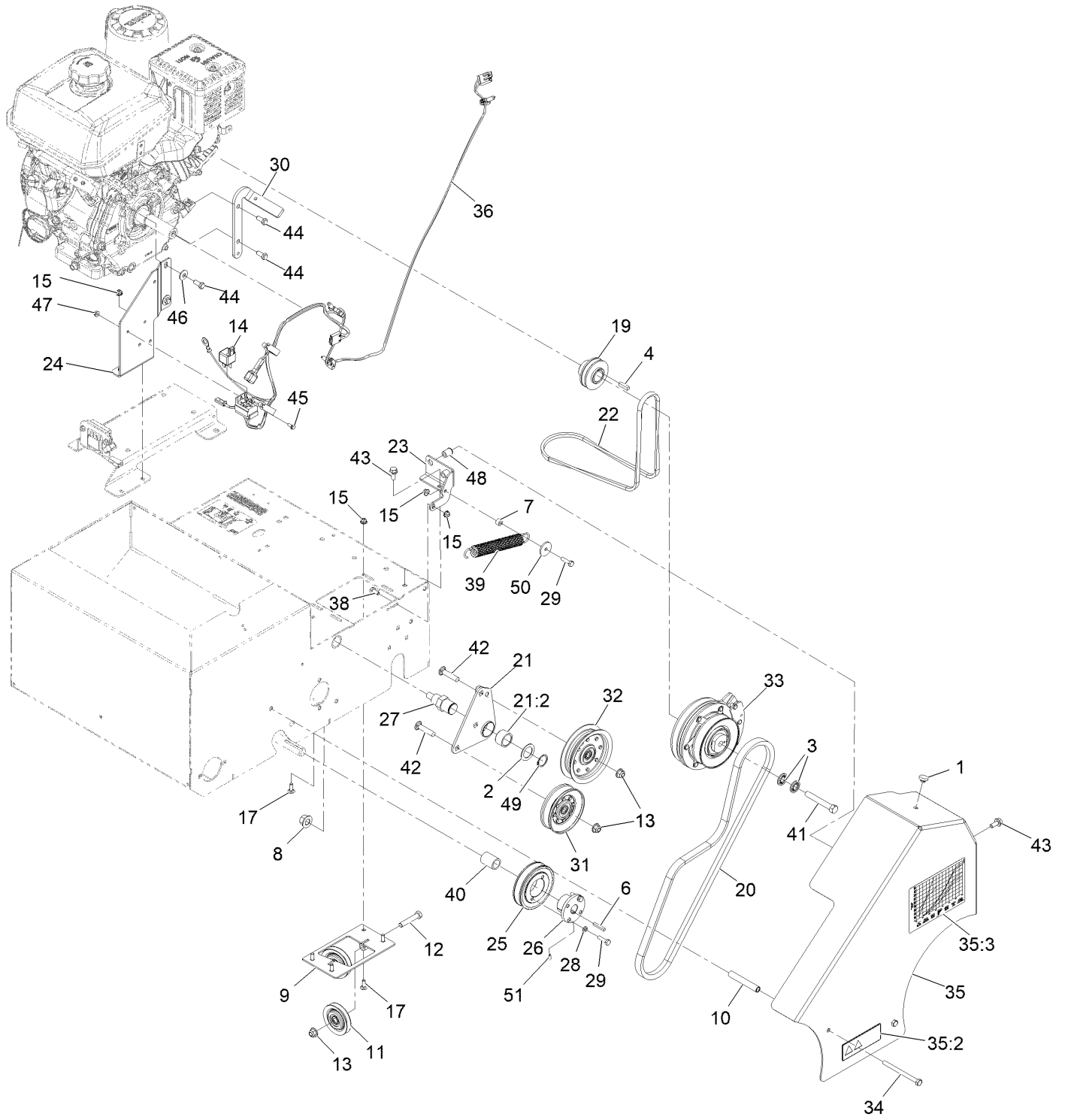


## Seed Gate Assembly (continued)

<i>Ref.</i>	<i>Part Number</i>	<i>Qty.</i>	<i>Description</i>	<i>Ref.</i>	<i>Part Number</i>	<i>Qty.</i>	<i>Description</i>
1	126-0815	1	Seed Gate Kit	13:1	121-6081	1	Tire
1:1	126-0415	1	Gate-Seed	13:2	120-3706	1	Wheel-Rim
1:2	126-0416	6	Spacer	13:3	5108	1	Valve
1:3	1-807512	6	Bolt-CARR	14	32151-48	2	E-Ring
1:4	114-3778	12	Nut-HF	15	3256-39	4	Washer-Flat
1:5	3229-2	3	Screw-CARR	16	321-3	1	Screw-HH ●
1:6	121-2016	2	Spring-Extension	17	3229-11	2	Screw-CARR
6	1-807512	7	Bolt-CARR	18	104-8300	4	Nut-HF, NI
7	121-1907	1	Bracket-Flow, Seed	19	92-0049	2	Key-Square
8	121-1912	1	Gauge-Flow, Seed	20	121-1961	2	Bearing
9	125-3782-03	1	Mixer	21	66-8010	2	Spacer
10	121-1929	1	Axle-Front ■	22	3229-3	2	Screw-CARR
11	3230-23	4	Bolt-CARR	23	233-67	1	Knob-Chute
12	105-3838	2	Spacer	24	103995	1	Washer
13	120-3707	2	Wheel ASM	25	104-7201	2	Nut-HF, NI

- Use Pro-Lock, Nut Type (P/N 1-840022, .5ml tube) on threads.
- Apply anti-seize compound to axle ends before installing tires.

# Belt Drive Assembly



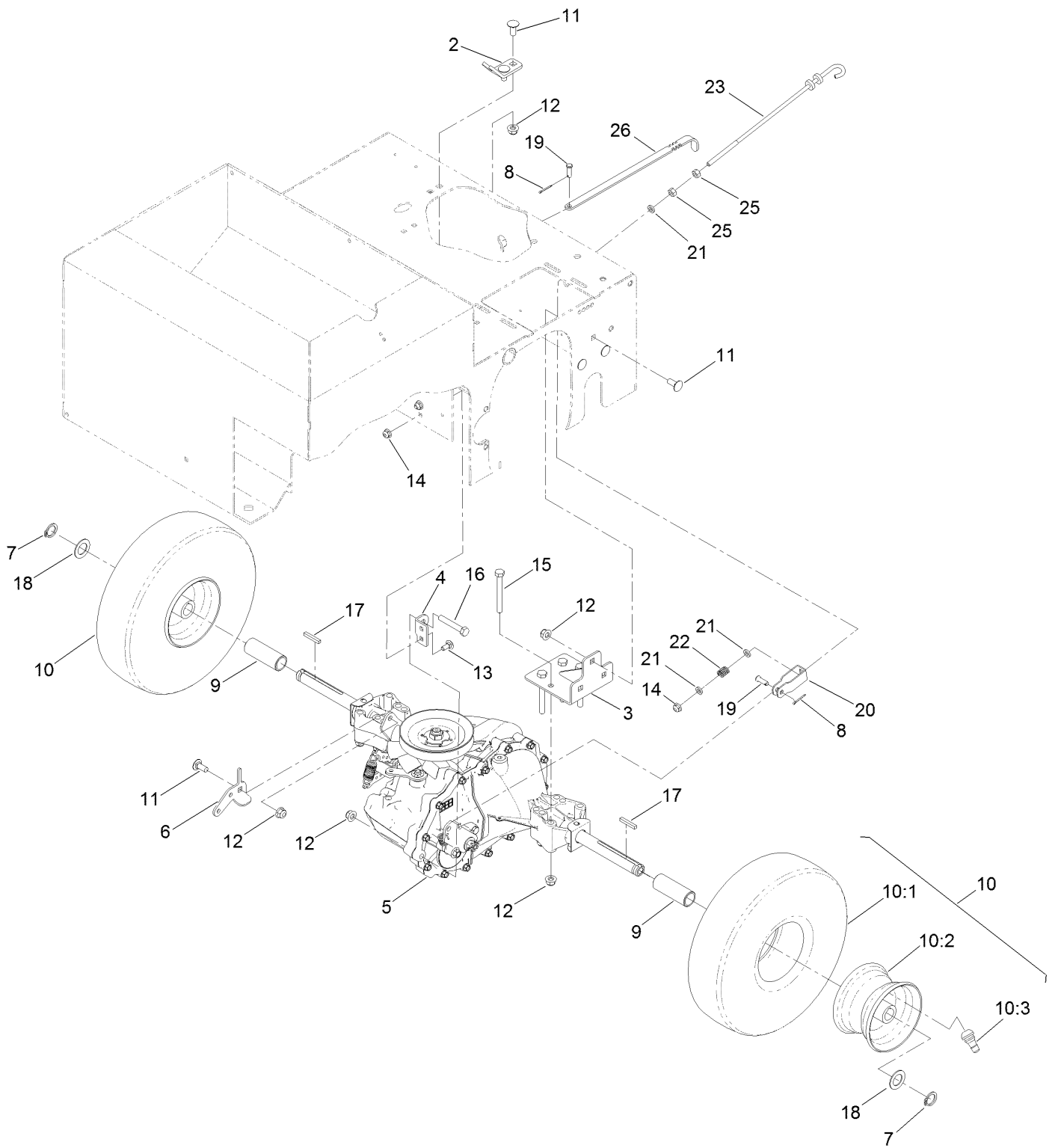


## Belt Drive Assembly (continued)

<i>Ref.</i>	<i>Part Number</i>	<i>Qty.</i>	<i>Description</i>	<i>Ref.</i>	<i>Part Number</i>	<i>Qty.</i>	<i>Description</i>
1	1-513658	1	Bumper	28	3253-3	2	Washer-Lock
2	1-543436	1	Washer-Spacer	29	321-6	3	Screw-HH
3	1-603610	2	Washer-Spring	30	135-2030	1	Stop-Clutch
4	1-807259	1	Key	31	116-9623	1	Pulley-Idler V
6	92-0049	1	Key-Square	32	116-9728	1	Pulley-Idler Flat (4.06-Inch)
7	98-4799	1	Spacer	33	116-9852	1	Clutch-Electric
8	99-5107	1	Nut-Lock	34	322-19	2	Screw-HH
9	126-0418-03	1	ASM Tension-Pulley	35	135-7597	1	Guard-Belt, W/Decals
10	104-0502	2	Spacer-Kickstand, Long	35:2	93-7321	1	Decal-Danger
11	121-1965	2	Pulley-Idler	35:3	116-8537	1	Decal-Graph, Seed
12	323-10	2	Screw-HH	36	135-7761	1	Harness-Wire
13	104-8301	4	Nut-HF, NI	38	321-3	1	Screw-HH
14	105-4145	1	Relay	39	126-0091	1	Spring-Extension
15	104-7201	8	Nut-HF, NI	40	126-0108	1	Spacer
17	3229-1	6	Screw-CARR	41	3212-12	1	Screw-HH ●
19	116-9471	1	Pulley-Mule Drive	42	3231-29	2	Screw-CARR
20	116-9518	1	Belt-Seeder, Clutch	43	3234-47	3	Screw-HHF
21	116-9519	1	Idler Arm ASM	44	3235-6	4	Screw-HH
21:2	116-9538	1	Bushing	45	3290-321	1	Screw-HWH
22	116-9532	1	Belt-Mule Drive	46	3290-456	2	Washer-Belleville
23	116-9533-03	1	Bracket-Spring	47	32128-17	1	Nut-Lock, Flange
24	135-2029-03	1	Guard-Belt	48	32148-7	2	Nut-Clinch
25	121-2019	1	Sheave-Taper Lock	49	32151-29	1	Ring-Retaining
26	121-2022	1	Bushing-Taper Lock	50	103995	1	Washer
27	116-9539	1	Pivot-Idler	51	126-0284	1	Screw-Set, Hs

● Use Pro-Lock, Nut Type (P/N 1-840022, .5ml tube) on threads.

# Transmission Assembly

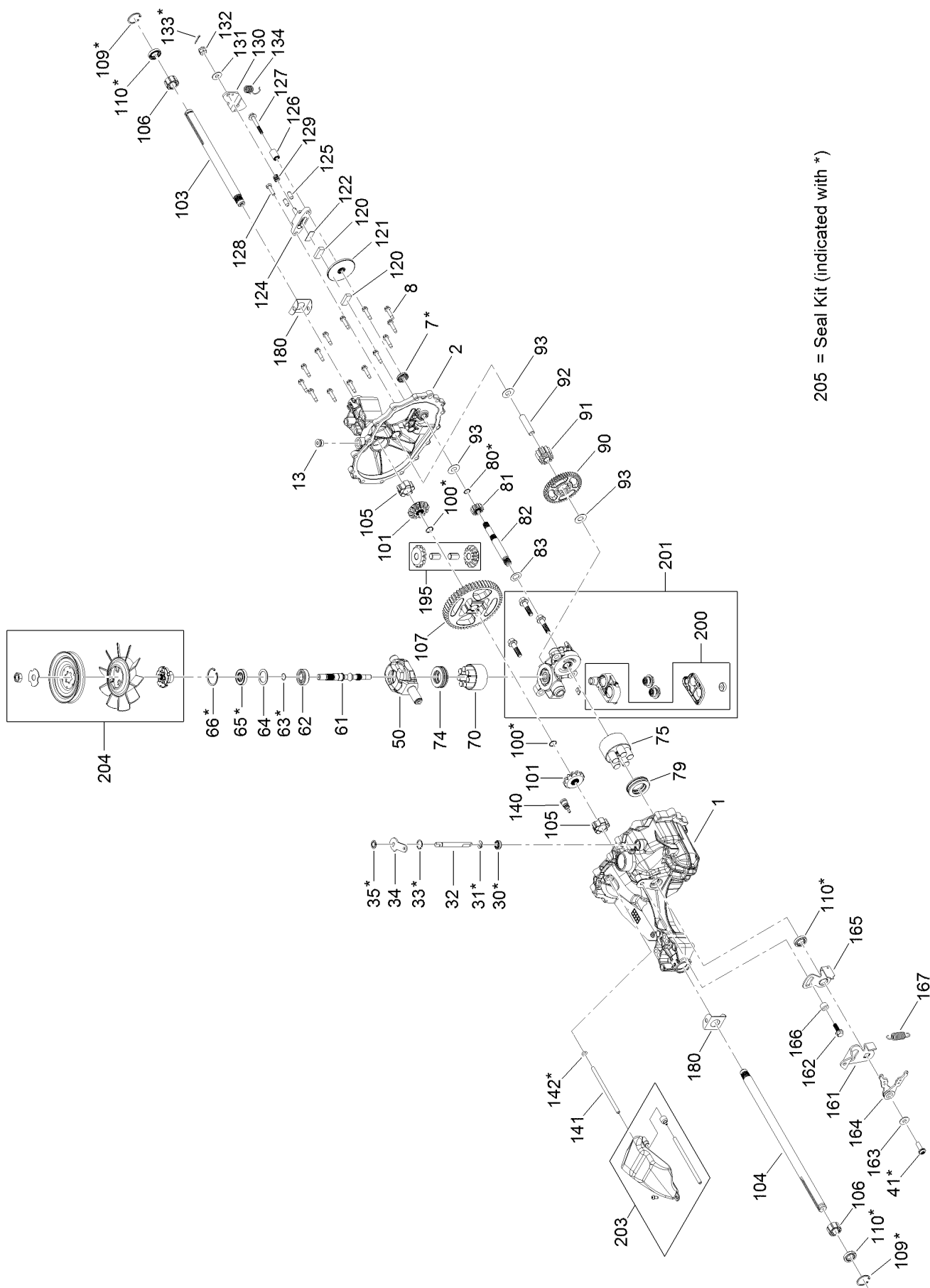


## Transmission Assembly (continued)

<i>Ref.</i>	<i>Part Number</i>	<i>Qty.</i>	<i>Description</i>	<i>Ref.</i>	<i>Part Number</i>	<i>Qty.</i>	<i>Description</i>
2	121-1897	1	Bracket-Cable	13	3229-11	2	Screw-CARR
3	121-1901-03	2	Bracket-Axle	14	104-7201	3	Nut-HF, NI
4	121-1904	1	Bracket-Transaxle, Torque	15	322-13	8	Screw-HH
5	121-1908	1	Transaxle ASM ●	16	322-10	1	Screw-HH
6	121-1909	1	Bracket-Transaxle	17	92-0049	2	Key-Square
7	32120-93	2	Ring-Retaining	18	67-9410	2	Washer
8	3272-4	2	Pin-Cotter	19	1-808265	2	Pin-Clevis
9	121-1988	2	Spacer	20	39-3080	1	Clevis
10	120-3707	2	Wheel ASM	21	55-9620	3	Spacer-Plate, Pivot
10:1	121-6081	1	Tire	22	63-4220	1	Spring-Compression
10:2	120-3706	1	Wheel-Rim	23	121-2018	1	Rod-Brake
10:3	5108	1	Valve	25	3217-5	2	Nut-Hex
11	3230-23	9	Bolt-CARR	26	121-2039	1	Lever-Bypass
12	104-8300	18	Nut-HF, NI				

● Apply anti-seize compound to axle ends before installing tires.

# Transmission Assembly No. 121-1908



205 = Seal Kit (indicated with \*)

# Transmission Assembly No. 121-1908 (continued)

<i>Ref.</i>	<i>Part Number</i>	<i>Qty.</i>	<i>Description</i>	<i>Ref.</i>	<i>Part Number</i>	<i>Qty.</i>	<i>Description</i>
1	115-8313	1	Main Housing Kit	105	115-8314	2	Bushing-Inboard
2	119-5538	1	Housing Side Kit	106	115-8304	2	Bushing-Outboard
7	115-8335	1	Seal-Lip	107	115-8325	1	Gear-53T, Bull
8	117-5359	14	Screw-HHF	109	115-8303	2	Ring-Retaining, Internal
10	104-2147	1	Sealant ●	110	121-0970	3	Seal-Lip
13	104-2189	1	Plug-Thread, Straight	120	104-2171	2	Puck-Brake
30	106-8676	1	Seal-Lip	121	115-8337	1	Rotor-Brake
31	106-8677	1	Ring-Retaining, External	122	104-2181	1	Puck-Plate
32	115-8312	1	Rod-Bypass, Actuator	124	104-5343	1	Yoke-Brake
33	106-8679	1	Ring-Retaining, Internal	125	104-2176	2	Pin-Brake
34	115-8311	1	Arm-Bypass	126	104-2180	1	Spacer
35	106-8681	1	Ring-Retaining, External	127	104-5345	1	Screw-HF
41	107-2488	1	Screw	128	115-8339	1	Screw-HHCS
50	115-8319	1	Trunnion-Plate, Swash	129	104-2188	1	Spring-Brake, Anti Drag
61	115-8317	1	Shaft-Input	130	112-6195	1	Brake-Arm
62	94-1904	1	Bearing-Shaft, Ball	131	114-8491	1	Washer
63	119-5531	1	Ring-Retaining, Wire	132	119-5543	1	Nut-Castle
64	104-2104	1	Spacer	133	3272-7	1	Pin-Cotter
65	119-5532	1	Seal-Lip	134	104-2184	1	Spring-Arm, Brake (Bias)
66	119-5533	1	Ring-Retaining	140	104-5349	1	Fitting-SAE
70	121-0967	1	Piston Block ASM	141	115-8302	1	Hose
74	115-8320	1	Bearing-Thrust, Ball	142	104-5361	1	O-Ring
75	103-2666	1	Cylinder Block Kit	161	115-8308	1	Arm-Control, Return
79	94-6922	1	Bearing-Thrust	162	104-5312	1	Screw-HF
80	115-8331	1	Ring-Retaining, External	163	114-8491	1	Washer
81	119-5539	1	Gear-Pinion	164	115-8306	1	Bi Directional Return Kit
82	115-8329	1	Shaft-Motor	165	115-8310	1	Arm-Neutral
83	115-8328	1	Washer	166	115-8309	1	Bushing
90	119-5540	1	Gear	167	115-8307	1	Spring-Extension
91	115-8333	1	Gear-Jackshaft, 11T	180	119-5527	2	Spring Clip-Housing Thrust
92	115-8334	1	Pin-Jackshaft	195	137-0656	1	Miter Gears W/Pins Kit
93	94-1933	3	Washer	200	115-8323	1	Filter Kit
100	104-5328	2	Ring-Retaining, Spiral	201	137-0657	1	Centersection W/Filter Kit
101	115-8315	2	Gear-Bevel, 12T (Spline, ID)	203	115-8301	1	Expansion Tank Kit
103	121-0968	1	Shaft-Axle, Keyed	204	137-0658	1	Fan/Pulley Kit
104	121-0969	1	Shaft-Axle, Keyed	205	115-8316	1	Seal Kit

● Not illustrated

**Notes:**

**Notes:**



**Count on it.**