



**Count on it.**

**Parts Catalog**

**Universal Groomer Drive Kit**

**Fixed Head Greensmaster® 1018, 1021, or  
1026 Mower**

**Model No. 04707—Serial No. 321000000 and Up**



# Ordering Replacement Parts

To order replacement parts, please supply the part number, the quantity, and the description of each part desired.

## Understanding Reference Numbers

Each identified part in an illustration has a reference number. The reference number for a part also appears in the parts list, along with other information about the part.

This catalog uses two special reference number formats, one to indicate parts in a service assembly and another to indicate the quantity of a given part in an illustration.

## Service Assembly Reference Numbers

Parts in service assemblies have reference numbers in the form a:b. The a represents the reference number of the entire service assembly and the b represents a sequential number unique to each part within the service assembly.

For example, a wheel assembly might be identified by reference number 6, the tire by 6:1, the valve by 6:2, and the wheel by 6:3. When you order the assembly identified by reference number 6, you receive all parts identified by reference numbers 6:1, 6:2, and 6:3. However, you may also order any part individually. Reference numbers of this type appear in illustration and in parts lists.

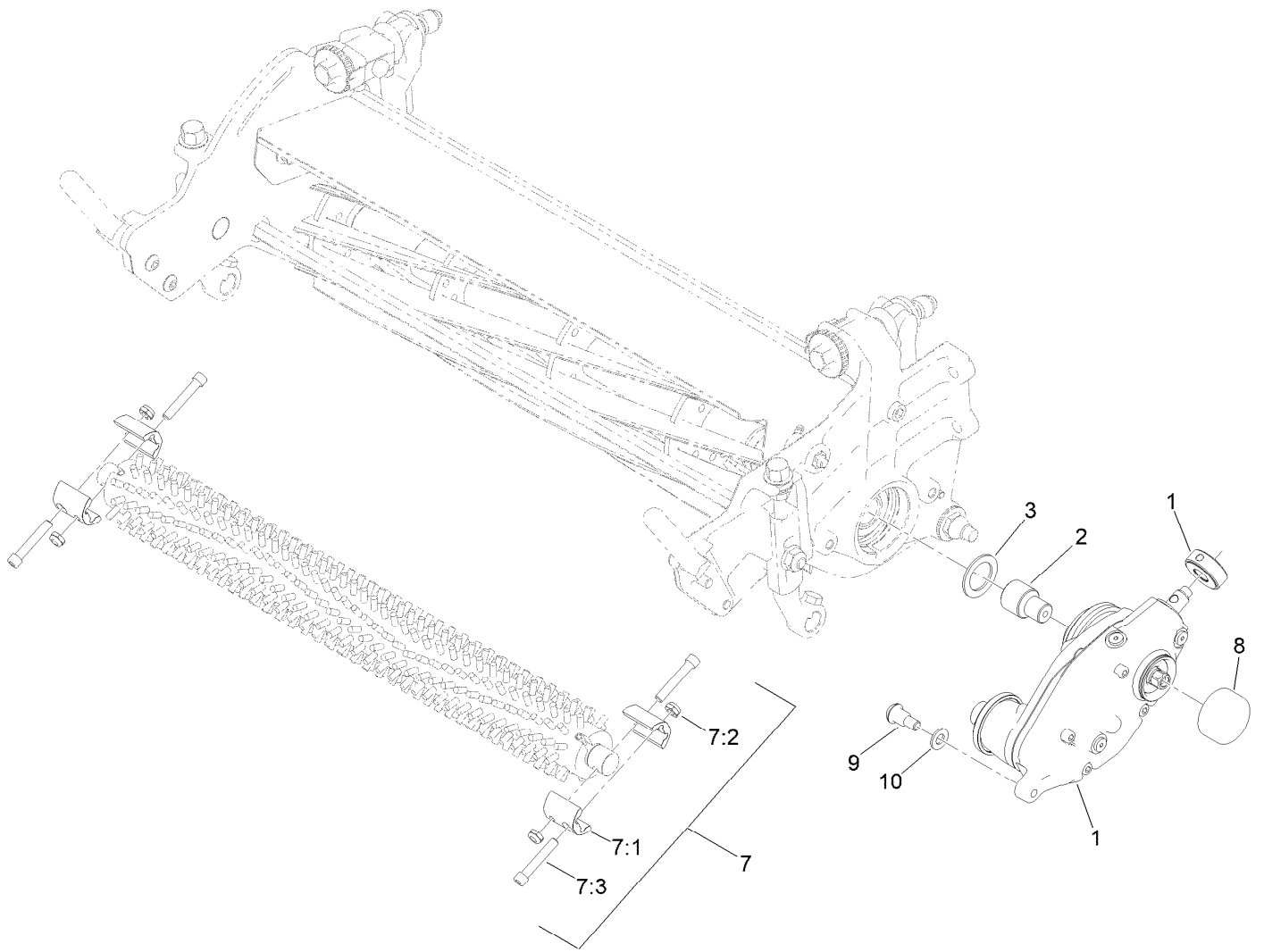
## Reference Numbers Indicating Quantity

In an illustration, if a reference number indicates more than one part, the reference number has the form nX y. The n represents the quantity of the part, the X is the multiplication symbol, and the y represents the reference number.

For example, in an illustration, the reference number 2X 37 means that two of the parts identified by reference number 37 are indicated.

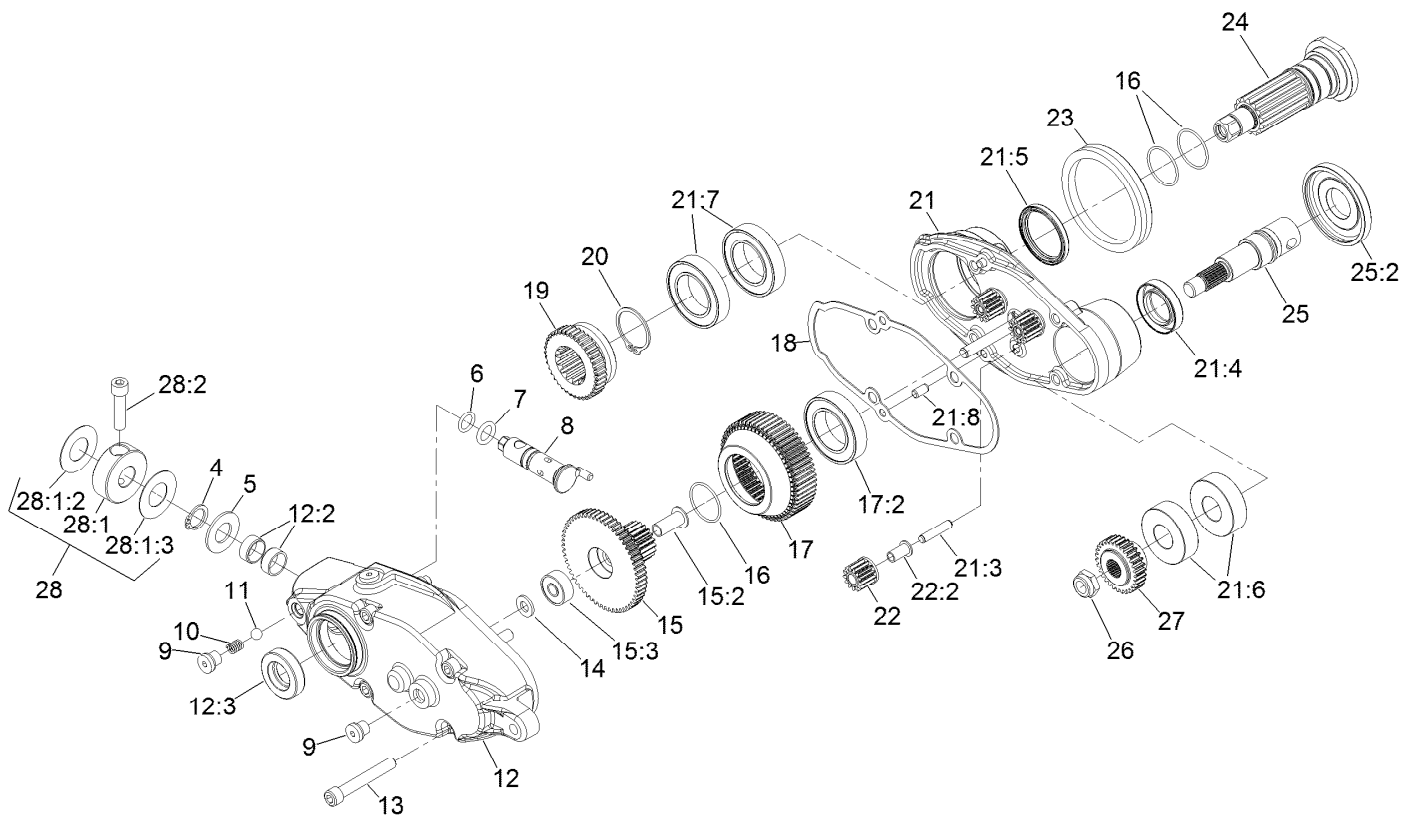
# Contents

Gearbox Assembly.....	4
5 Inch Groomer Drive Box Assembly No. 137-5950.....	5
Idler Side Assembly.....	6
Height of Groom Assembly.....	7
Tools Assembly.....	8
Attachments and Accessories.....	9



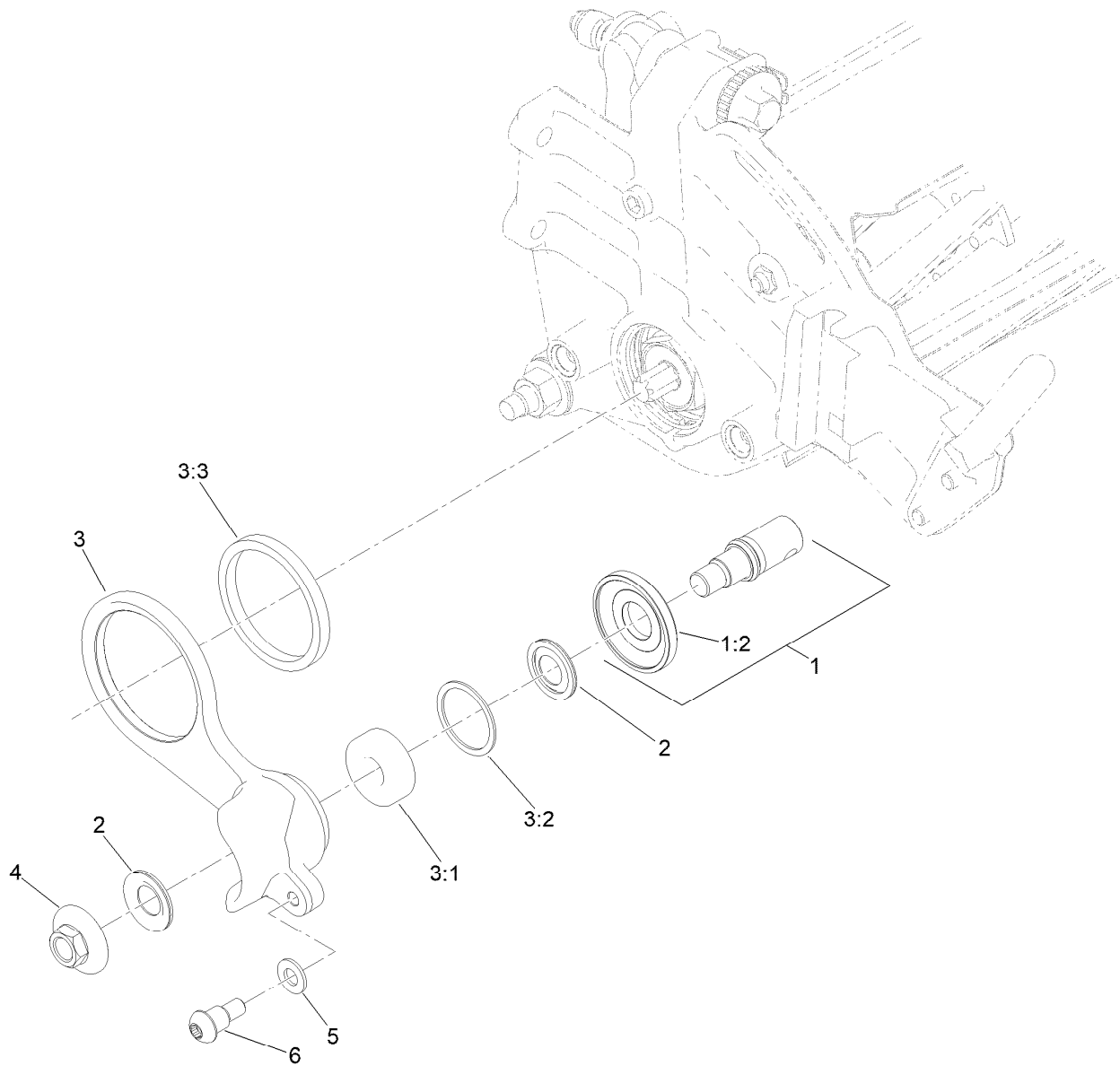
## Gearbox Assembly

Ref.	Part Number	Qty.	Description
1	137-5950	1	Groomer Drive Box ASM (5In)
2	137-0821	1	Adapter-LH (Greens)
3	132-0728	1	Washer-Shim
7	140-5554	1	Kit-Clamp-Groomer Cartridge
7:1	137-0814	2	Clamp-Shaft
7:2	3296-56	2	Nut-Lock, NI
7:3	140-5533	2	Screw-HSH
8	137-0902	1	Cap-Round
9	137-0869	1	Screw-Shoulder,Bh
10	94-6936	1	Washer-Hardened



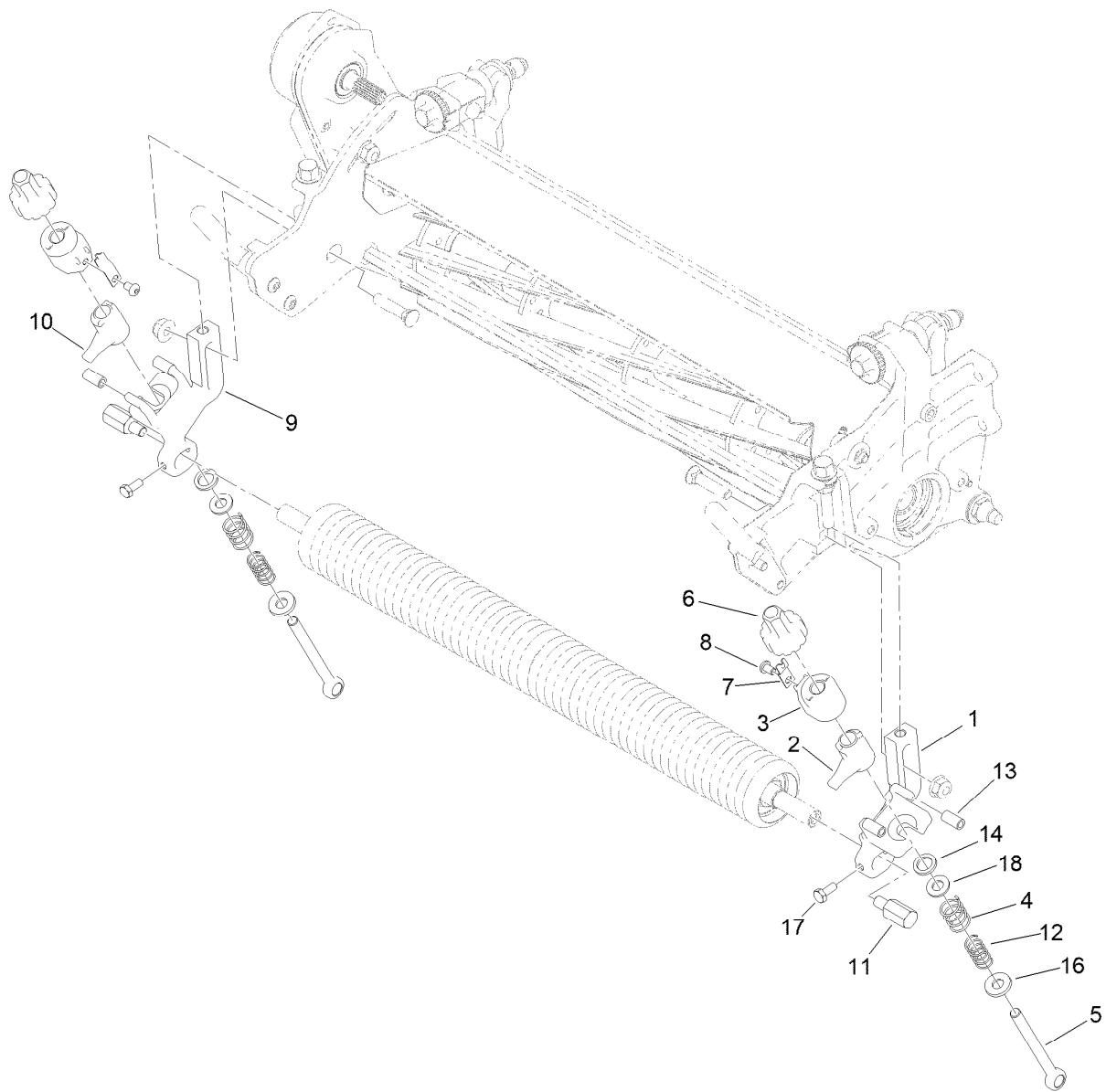
## 5 Inch Groomer Drive Box Assembly No. 137-5950

Ref.	Part Number	Qty.	Description	Ref.	Part Number	Qty.	Description
4	32151-61	1	Ring-Retaining	20	120-2878	1	Ring-Retaining, EXT
5	47-2910	1	Washer-Thrust	21	131-1887	1	5In Groomer Housing ASM
6	237-22	1	O-Ring	21:3	120-2885	3	Pin-Planet
7	131-1879	1	O-Ring Seal	21:4	131-1829	1	Seal-Oil
8	120-2881	1	Shaft-Actuator, Clutch	21:5	133-4596	1	Seal-Oil
9	131-1825	4	Plug-ORB	21:6	115-6869	2	Bearing-Ball, Stainless
10	105-2443	1	Spring-Detent	21:7	132-0745	2	Bearing
11	105-2442	1	Ball-Detent	21:8	121-9249	2	Pin-Dowel
12	137-0932	1	Cover-Gearbox, 5 Inch	22	137-0962	3	Planet Gear ASM
12:2	121-4738	2	Bushing-Straight	22:2	120-2919	1	Bushing-Flange
12:3	137-0812	1	Seal-Oil	23	120-2876	1	Seal-V Ring
13	119-4035	4	Screw-HSH	24	137-0966	1	Shaft-Drive
14	120-2886	1	Washer-Thrust	25	137-0963	1	Driven Shaft ASM
15	137-0960	1	Gear-Sun ASM	25:2	133-9109	1	Shield
15:2	120-2921	1	Bushing-Flange	26	121-4600	1	Nut-Hex
15:3	117-8772	1	Bearing-Ball	27	120-2942	1	Gear-Driven
16	132-0726	3	O-Ring	28	137-0959	1	Kit-Knob, Groomer Direction
17	137-0961	1	Gear-Ring ASM	28:1	137-0958	1	Clutch Knob ASM
17:2	133-8286	1	Bearing	28:1:2	132-0719	1	Decal-Clutch, Drive (RH)
18	120-2874	1	Gasket	28:1:3	132-0727	1	Decal-Clutch, Drive (LH)
19	120-2932	1	Gear-Driver	28:2	137-0956	1	Screw-HSH



## Idler Side Assembly

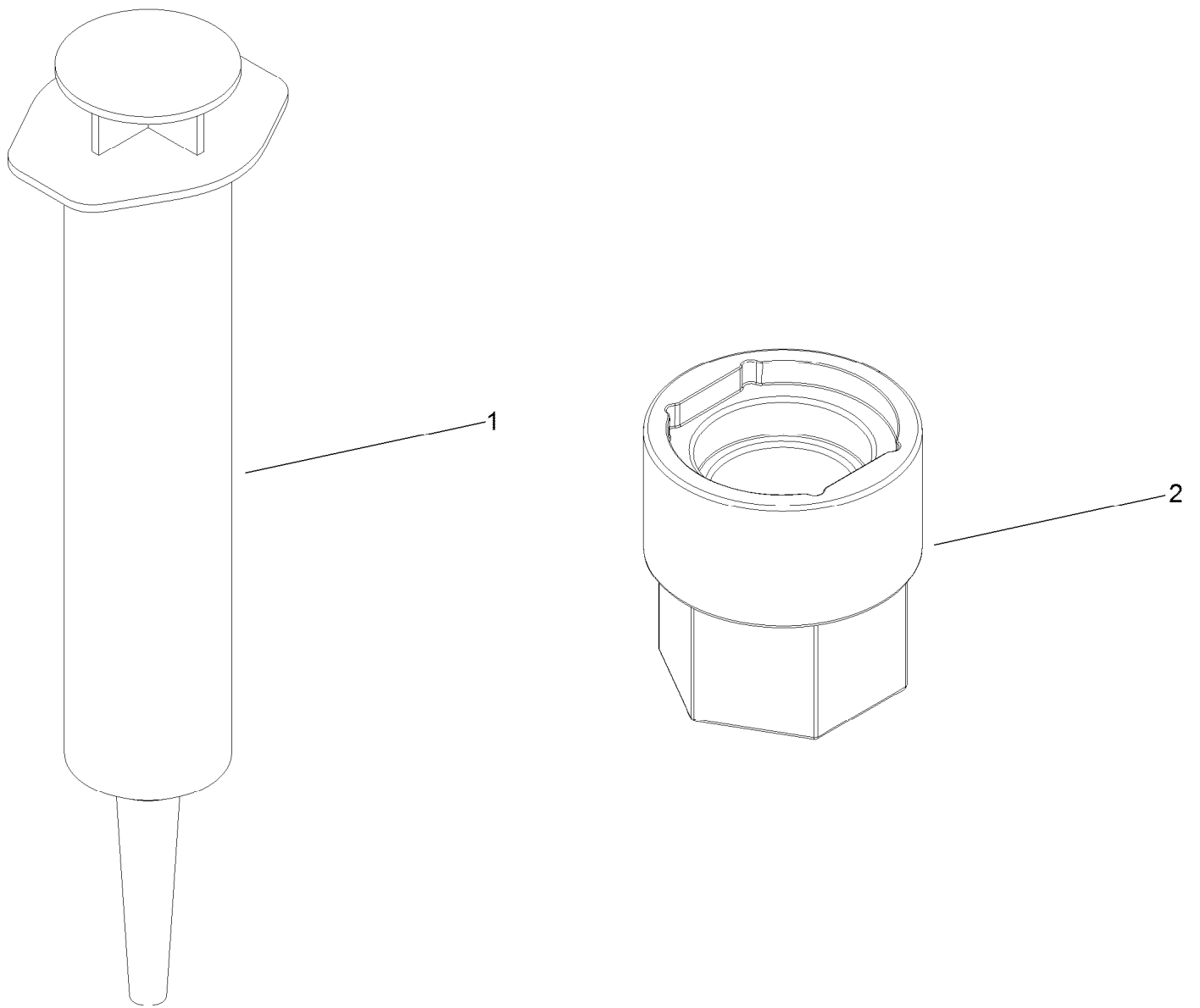
<b>Ref.</b>	<b>Part Number</b>	<b>Qty.</b>	<b>Description</b>
1	137-0964	1	Stub Shaft ASM
1:2	133-9109	1	Shield
2	115-6923	2	Shield-Bearing, Flocked
3	137-0949	1	Idler Plate ASM
3:1	115-6869	1	Bearing-Ball, Stainless
3:2	120-2893	1	Ring-Retaining, Spiral
3:3	104-4729	1	Bushing
4	120-2888	1	Nut-Flange
5	94-6936	1	Washer-Hardened
6	137-0869	1	Screw-Shoulder, Bh



## Height of Groom Assembly

<i>Ref.</i>	<i>Part Number</i>	<i>Qty.</i>	<i>Description</i>	<i>Ref.</i>	<i>Part Number</i>	<i>Qty.</i>	<i>Description</i>
1	132-4609	1	Arm-HOC, LH	10	133-9101	1	Up-Quick, RH
2	133-9106	1	Up-Quick, LH	11	120-2832	2	Guard-Groomer
3	133-9103	2	Cover-Up, Quick	12	120-2939	2	Spring-Compression
4	120-2938	2	Spring-Compression	13	132-0722	4	Hose-Groomer
5	137-0874	2	Bolt-Eye	14	62-7120	2	Washer
6	137-0828	2	Nut-Adjuster	16	98-5975	2	Washer-Belleville
7	132-0706	2	Spring-Detent	17	137-3014	2	Screw-HH Lock
8	131-1883	2	Screw-HSBH	18	3256-24	2	Washer-Flat ●
9	132-4608	1	Arm-HOC, RH				

● Optional Equipment



## Tools Assembly

<i>Ref.</i>	<i>Part Number</i>	<i>Qty.</i>	<i>Description</i>
1	137-0872	1	Tool-Syringe
2	137-0920	1	Tool-Drive Shaft Removal



# Attachments and Accessories

For 04707 Universal Groomer Drive Kit Fixed Head Greensmaster 1018, 1021, or 1026 Mower

<b>Product Name</b>	<b>Model/Part</b>
18in Twin Tip Groomer Reel .....	04801
18in Soft Grooming Brush.....	04268
18in Stiff Grooming Brush.....	04269
21in Twin Tip Groomer Reel .....	04802
21in Soft Grooming Brush.....	04270
21in Stiff Grooming Brush.....	04271
26in Twin Tip Groomer Reel .....	04803
26in Stiff Grooming Brush.....	04276

**Notes:**

**Notes:**



**Count on it.**