



**Count on it.**

**Parts Catalog**

**Workman® MD Utility Vehicle**

Model No. 07266TC—Serial No. 315000001 and Up



# Ordering Replacement Parts

To order replacement parts, please supply the part number, the quantity, and the description of each part desired.

## Understanding Reference Numbers

Each identified part in an illustration has a reference number. The reference number for a part also appears in the parts list, along with other information about the part.

This catalog uses two special reference number formats, one to indicate parts in a service assembly and another to indicate the quantity of a given part in an illustration.

## Service Assembly Reference Numbers

Parts in service assemblies have reference numbers in the form a:b. The a represents the reference number of the entire service assembly and the b represents a sequential number unique to each part within the service assembly.

For example, a wheel assembly might be identified by reference number 6, the tire by 6:1, the valve by 6:2, and the wheel by 6:3. When you order the assembly identified by reference number 6, you receive all parts identified by reference numbers 6:1, 6:2, and 6:3. However, you may also order any part individually. Reference numbers of this type appear in illustration and in parts lists.

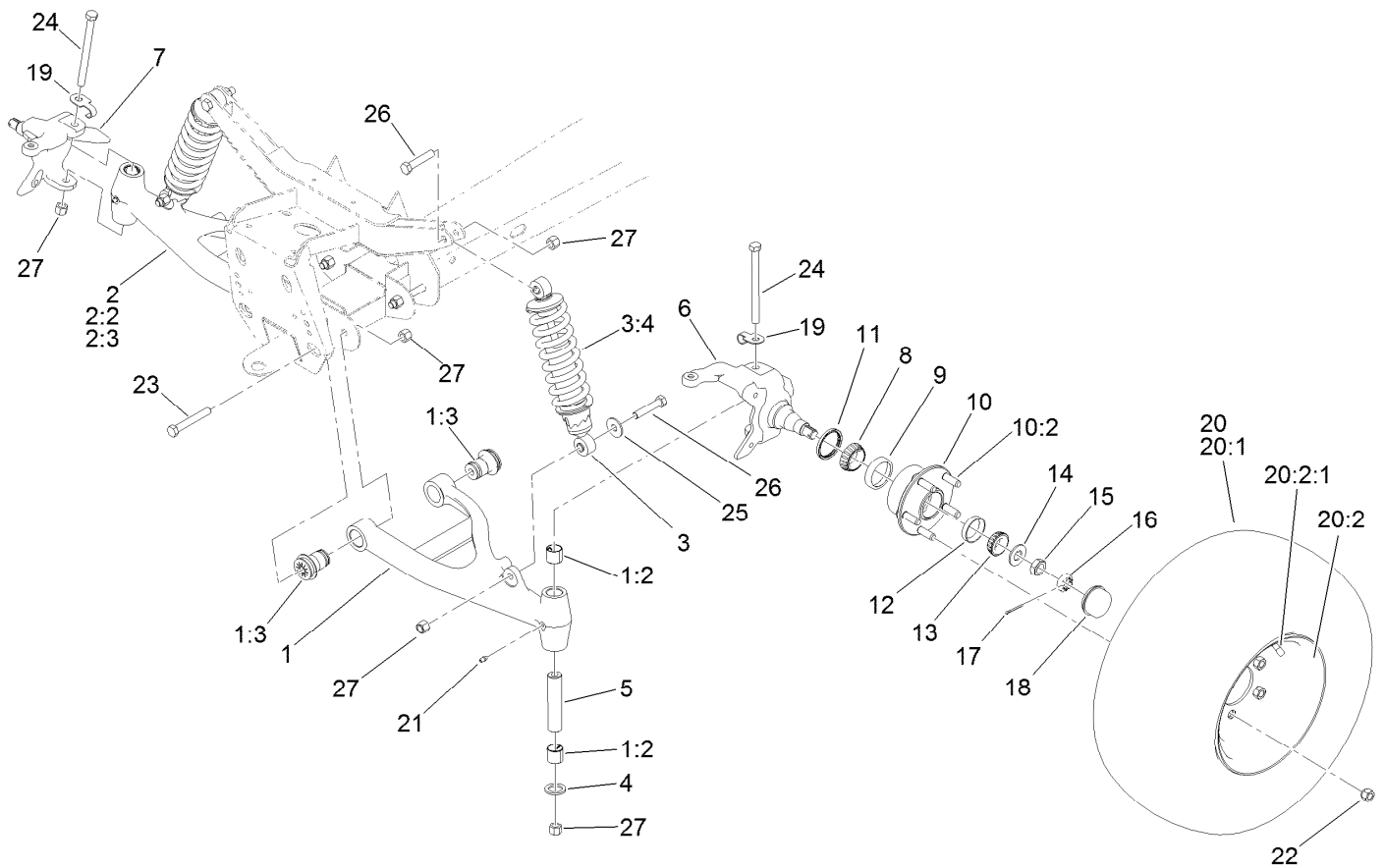
## Reference Numbers Indicating Quantity

In an illustration, if a reference number indicates more than one part, the reference number has the form nX y. The n represents the quantity of the part, the X is the multiplication symbol, and the y represents the reference number.

For example, in an illustration, the reference number 2X 37 means that two of the parts identified by reference number 37 are indicated.

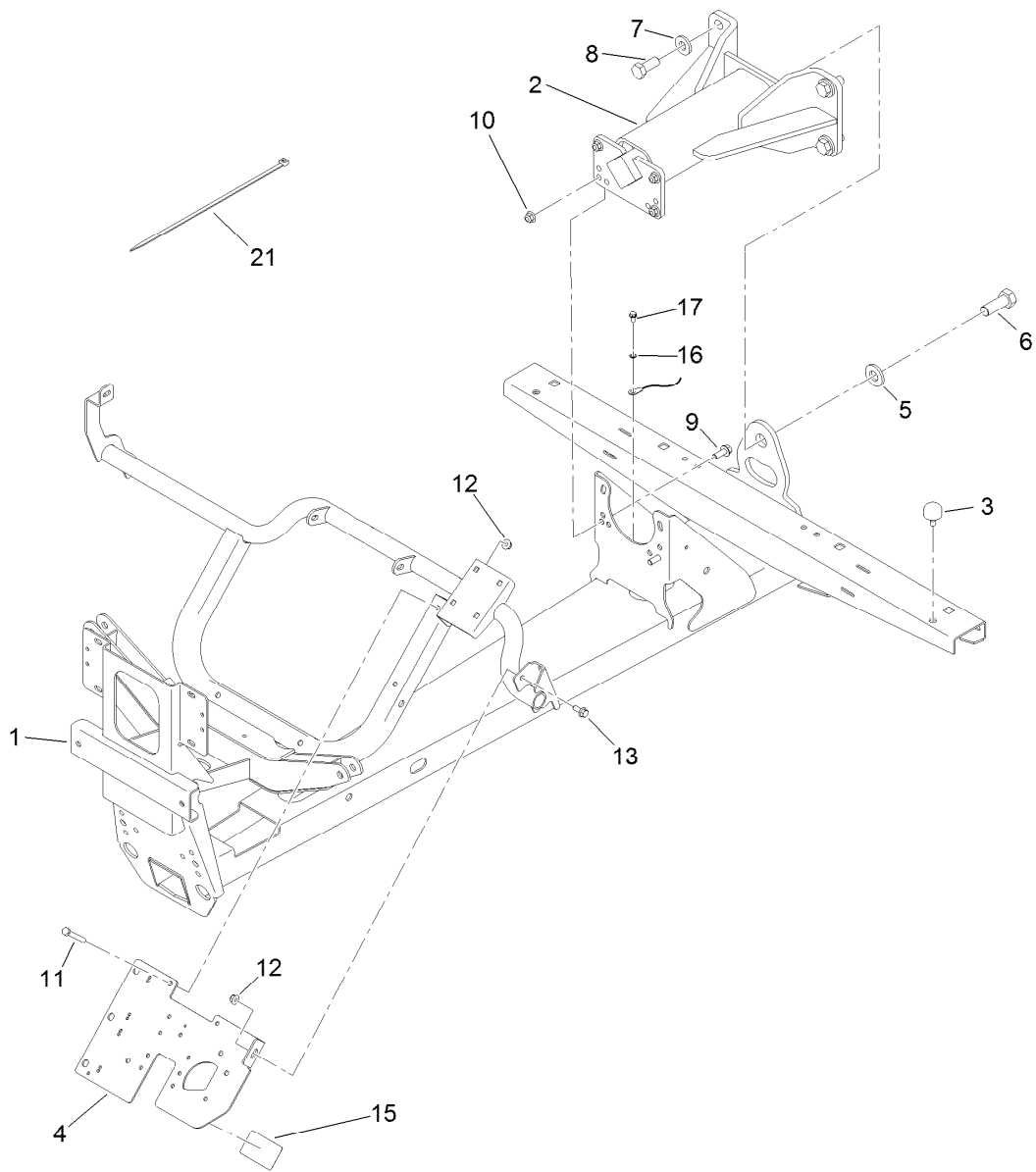
# Contents

Front Suspension and Wheel Assembly	4
Front Frame Assembly	5
Rear Frame and Suspension Assembly	6
Front Brake Assembly	7
Master Cylinder Assembly No. 104-6782	8
Brake Caliper Assembly No. 127-7424	9
Rear Brake Assembly	10
RH Rear Brake Assembly No. 114-8331	11
LH Rear Brake Assembly No. 114-8332	12
Steering Assembly	13
Steering Box Assembly No. 112-3130	14
Pedal Box Assembly	15
Shifter Assembly	16
Hood and Bumper Assembly	17
Fender Well Assembly	18
Fender Assembly	19
Dash Installation Assembly	20
Dash Assembly	21
Seatbase Assembly	22
Cargo Bed Assembly	23
Cargo Bed Service Assembly No. 127-7384	24
Engine, Clutch and Air Cleaner Assembly	25
Primary Clutch Assembly No. 120-4823	27
Air Cleaner Assembly No. 99-7120	28
Rear Axle Drive System Assembly	29
Transaxle Assembly No. 121-6339	30
Secondary Clutch Assembly No. 119-6011	32
Battery Assembly	33
Electrical Assembly	34
Starter Generator Assembly No. 119-9545	35
Fuel Tank Assembly	36
Cylinder Head Assembly	37
Crankshaft and Piston Assembly	38
Camshaft and Valve Assembly	39
Starter Air Shroud Assembly	40
Air Intake Assembly	41
Carburetor Assembly	42
Crankcase Assembly	43
Fuel Pump Assembly	44
Magneto Assembly	45
Miscellaneous Engine Parts	46
Governor Assembly	47
Attachments and Accessories	48



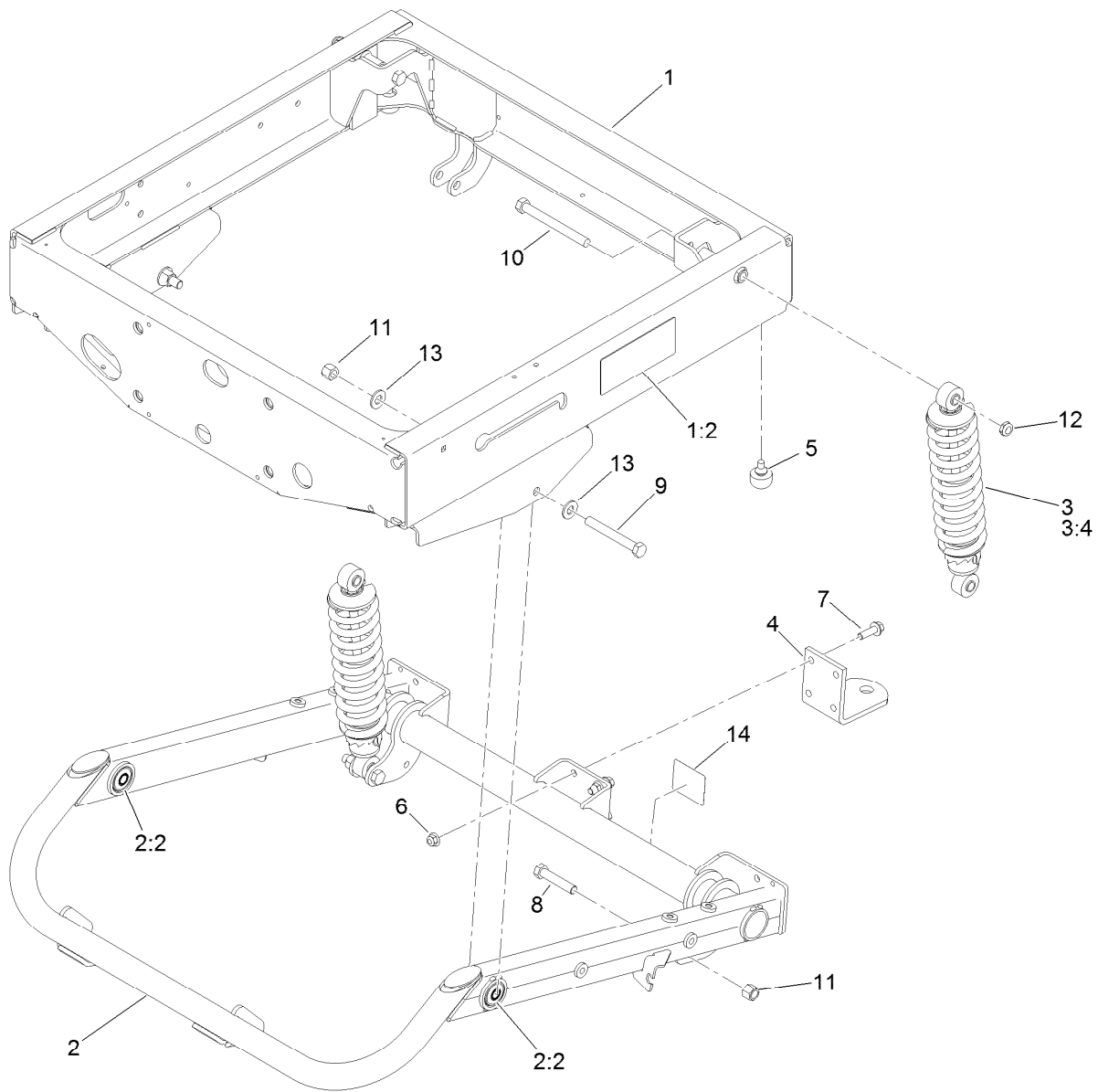
## Front Suspension and Wheel Assembly

Ref.	Part Number	Qty.	Description	Ref.	Part Number	Qty.	Description
1	114-8313	1	LH A-Arm ASM	13	254-94	2	Bearing-Cone, Tapered
1:2	125-5196	2	Bushing	14	93-0309	2	Washer-Tab
1:3	87-1450	2	Bushing-Flange	15	3220-7	2	Nut-Jam
2	114-8314	1	RH A-Arm ASM	16	93-0307	2	Nut-Lock, Retainer
2:2	125-5196	2	Bushing	17	3272-12	2	Pin-Cotter
2:3	87-1450	2	Bushing-Flange	18	241-119	2	Cap-Dust
3	112-2975	2	Shock/Spring ASM	19	112-3311	2	Clip-Hose
3:4	112-3383	1	Spring	20	127-7434	2	Tire/Wheel ASM
4	256-115	2	Washer-Thrust	20:1	127-7435	1	Tire (22 X 9.50-10) 4-Ply
5	99-7499	2	Sleeve-Kingpin	20:2	127-7436	1	Wheel
6	119-9521	1	Spindle-LH	20:2:1	232-27	1	Stem-Valve
7	119-9522	1	Spindle-RH	21	302-5	2	Fitting-Grease
8	254-106	2	Cone-Bearing, Tapered	22	242-50	10	Nut-Lug
9	254-107	2	Cup-Bearing, Tapered	23	325-14	4	Screw-HH
10	117-8071	2	Hub ASM	24	325-20	2	Screw-HH
10:2	10-6830	5	Stud-Type, Drive	25	51-3500	2	Washer
11	108-7019	2	Seal-Shaft	26	325-10	4	Screw-HH
12	254-72	2	Bearing-Cup, Tapered	27	3296-23	10	Nut-Lock, NI



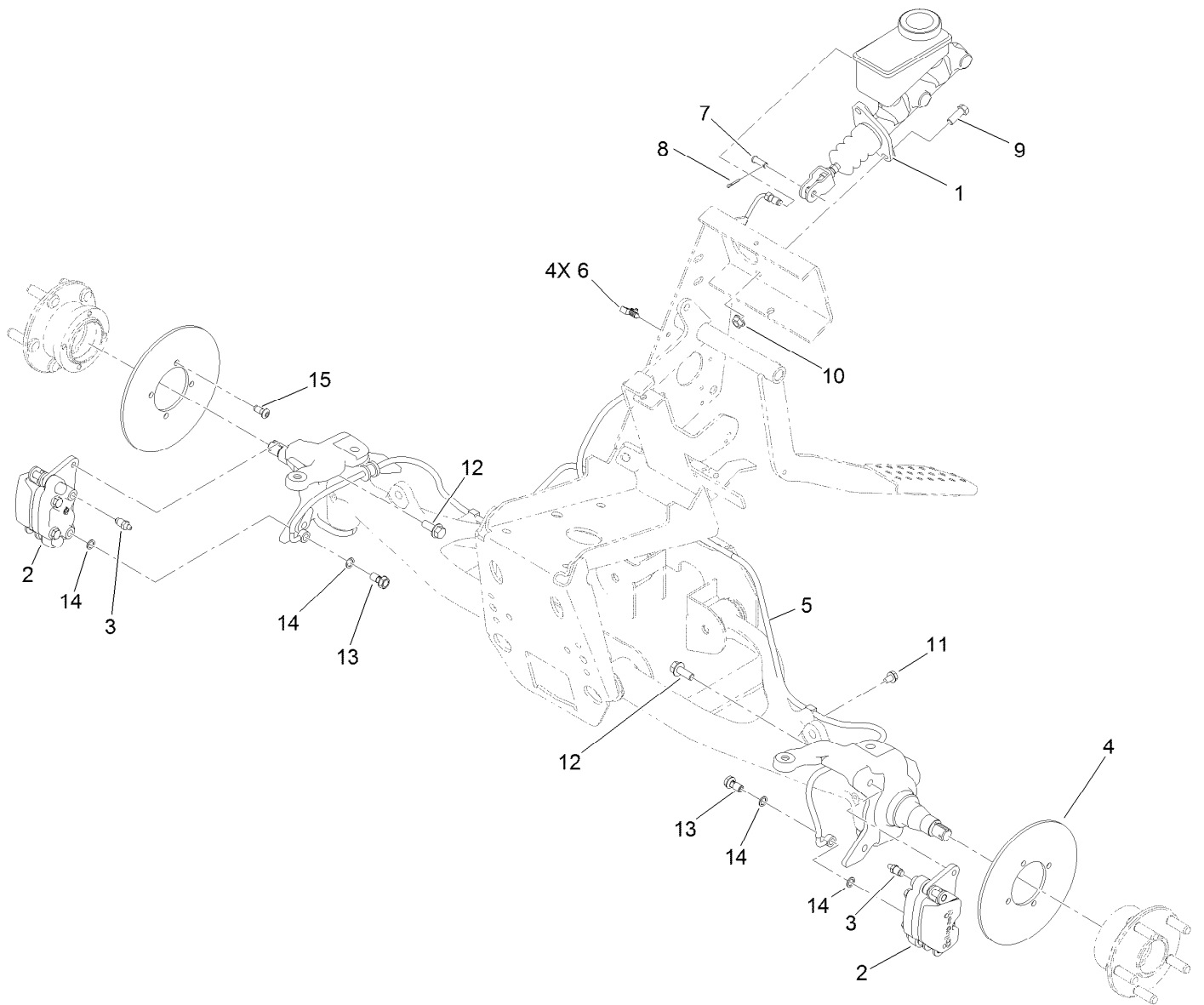
## Front Frame Assembly

<i>Ref.</i>	<i>Part Number</i>	<i>Qty.</i>	<i>Description</i>	<i>Ref.</i>	<i>Part Number</i>	<i>Qty.</i>	<i>Description</i>
1	112-3340-03	1	Frame-Front	10	104-8301	4	Nut-HF, NI
2	99-7700	1	Yoke-Pivot	11	322-11	2	Screw-HH
3	87-2440	1	Bumper-Rubber	12	104-8300	3	Nut-HF, NI
4	112-3376-03	1	Plate-Mount, Electrical	13	110-5053	1	Screw-HHF
5	87-3060	1	Washer-Hardened	15	112-3325	1	Decal-Block, Fuse
6	328-24	1	Screw-HH	16	3254-16	1	Washer-Lock/Int
7	99-7667	4	Washer-Flat	17	32144-4	1	Screw-HWH
8	327-4	4	Screw-HH	21	3290-379	12	Tie-Cable
9	3234-11	4	Screw-HHF				



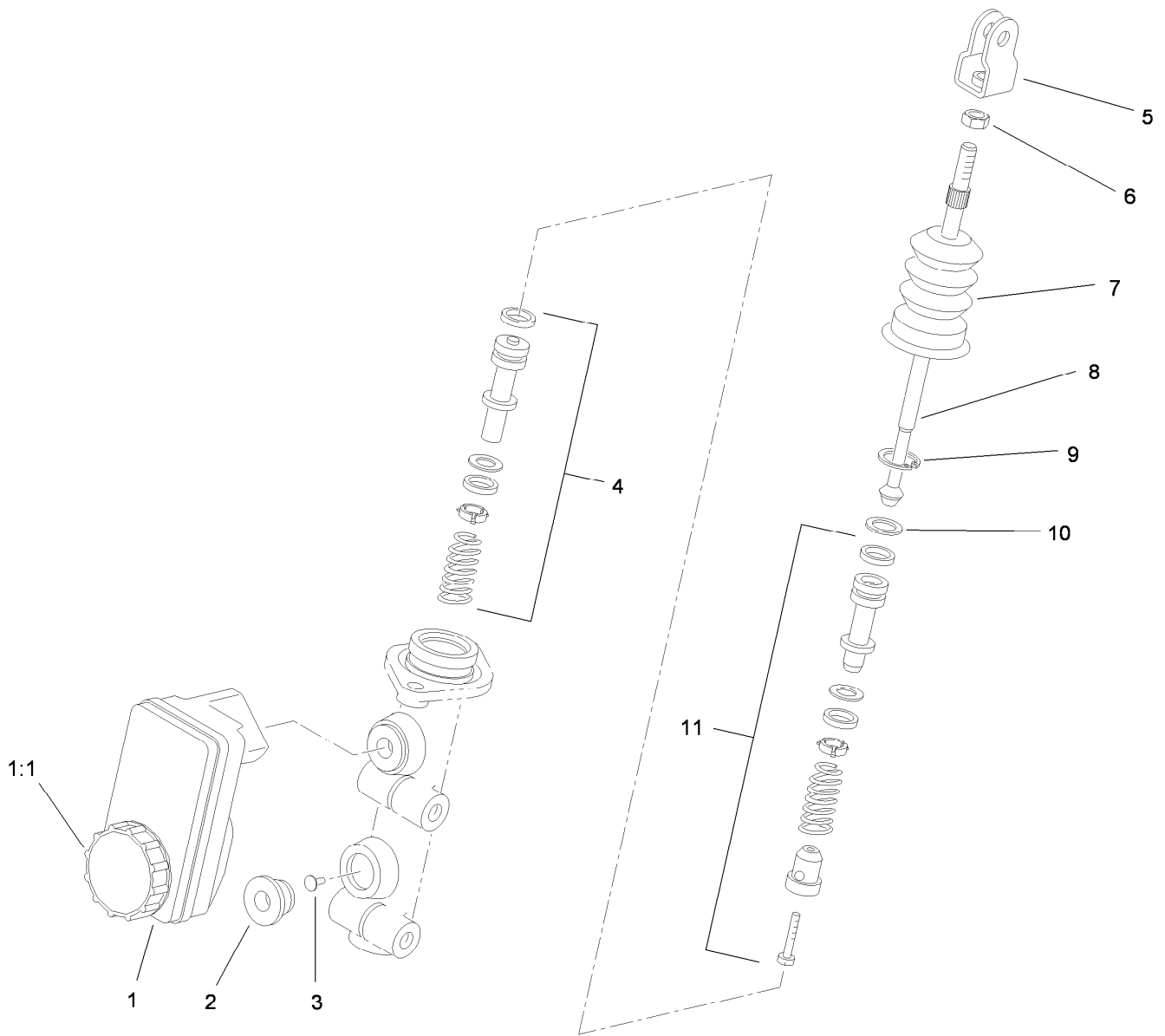
## Rear Frame and Suspension Assembly

<i>Ref.</i>	<i>Part Number</i>	<i>Qty.</i>	<i>Description</i>	<i>Ref.</i>	<i>Part Number</i>	<i>Qty.</i>	<i>Description</i>
1	119-9628	1	Rear Frame ASM	7	3234-24	4	Screw-HHF
1:2	99-7345	2	Decal-Warning	8	325-10	2	Screw-HH
2	115-7614	1	Swing Arm ASM	9	325-17	2	Screw-HH
2:2	112-3377	2	Bushing-Arm, Control	10	325-19	2	Screw-HH
3	112-3168	2	Rear Shock/Spring ASM	11	3296-23	4	Nut-Lock, NI
3:4	112-3386	1	Spring	12	3296-45	2	Nut-Hex
4	99-7654-03	1	Hitch-Duty, Light	13	87-7270	4	Washer-Thrust
5	87-2440	2	Bumper-Rubber	14	99-7350	1	Decal-Rating, Hitch (Light Duty)
6	104-8301	4	Nut-HF, NI				



## Front Brake Assembly

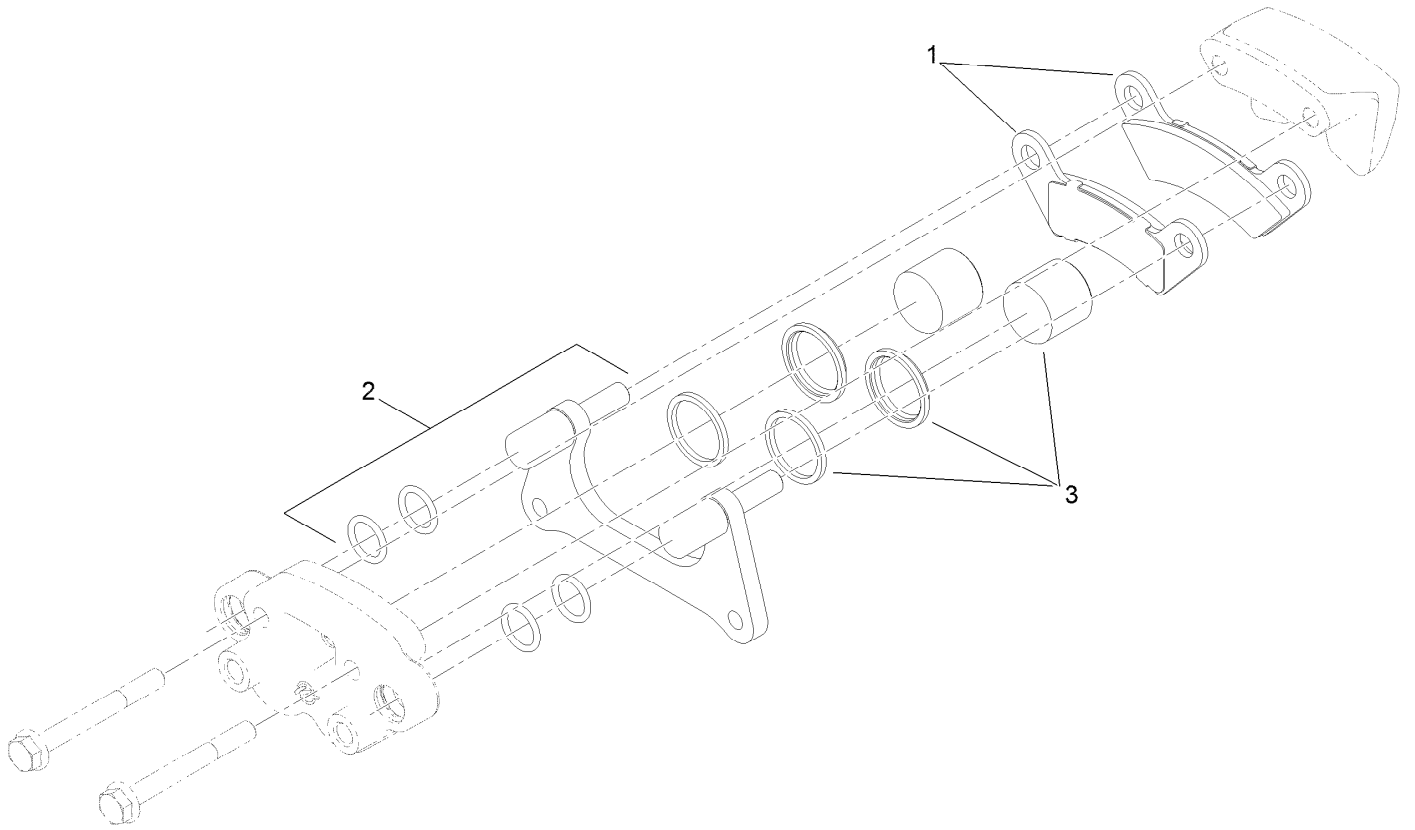
Ref.	Part Number	Qty.	Description
1	104-6782	1	Master Cylinder ASM
2	127-7424	2	Brake Caliper ASM
3	119-9509	2	Screw-Bleed
4	131-3460	2	Rotor
5	119-9683	1	Front Brake Line ASM
6	114-8324	4	Clip-Line, Brake
7	283-2	1	Pin-Clevis
8	3272-10	1	Pin-Cotter
9	323-6	2	Screw-HH
10	3290-357	2	Nut-HHF, Whiz
11	32104-32	2	Screw-HWH
12	3234-11	4	Screw-HHF
13	120-4875	2	Bolt-Flange, Banjo
14	115-2341	4	Washer-Banjo
15	121-9671	8	Screw-HSBH



## Master Cylinder Assembly No. 104-6782

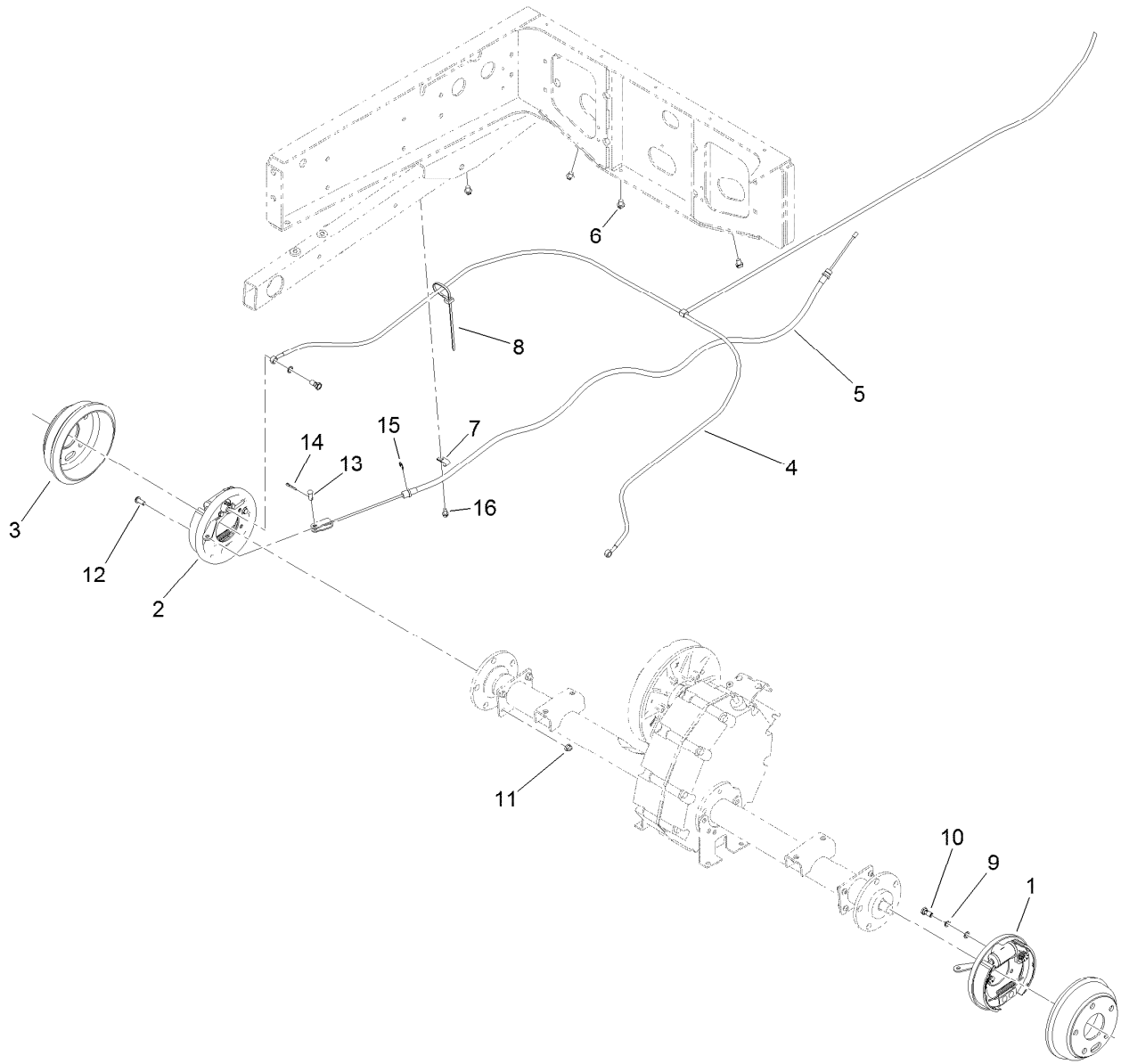
Ref.	Part Number	Qty.	Description
1	104-6845	1	Reservoir ASM
1:1	92-4112	1	Cap ASM
2	93-8971	2	Seal-Port, Flange
3	92-4103	1	Pin-Stop
4	92-4102	1	Secondary Piston ASM
5	92-4110	1	Clevis
6	21-0360	1	Nut-Hex
7	94-5209	1	Cover-Dust
8	94-5210	1	Rod-Push
9	92-4109	1	Ring-Snap
10	92-4108	1	Retainer-Washer
11	92-4101	1	Primary Piston ASM





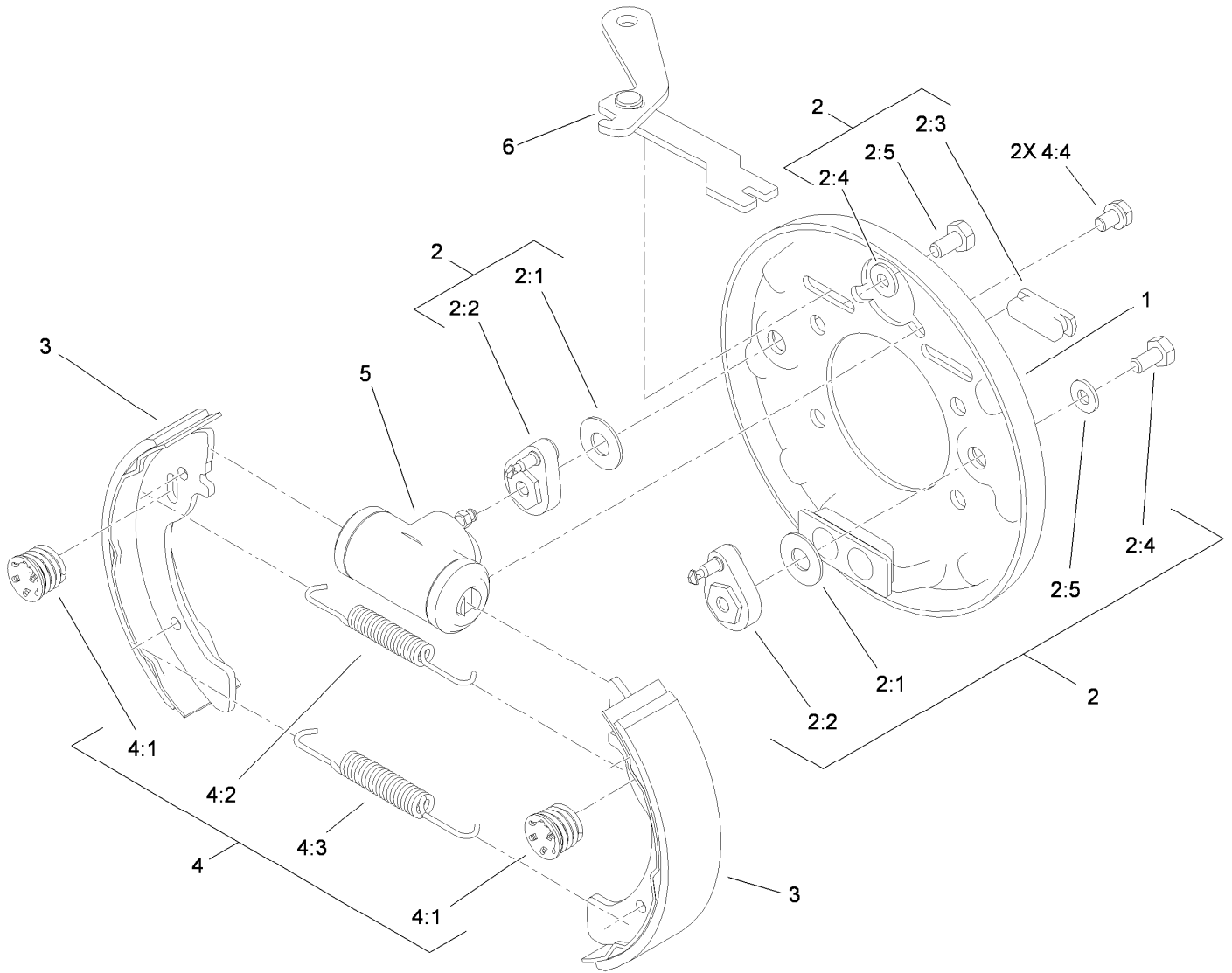
## Brake Caliper Assembly No. 127-7424

<i>Ref.</i>	<i>Part Number</i>	<i>Qty.</i>	<i>Description</i>
1	119-9510	1	*obs* Pads-Brake
2	119-9511	1	Bracket Kit
3	119-9512	1	Piston Kit



## Rear Brake Assembly

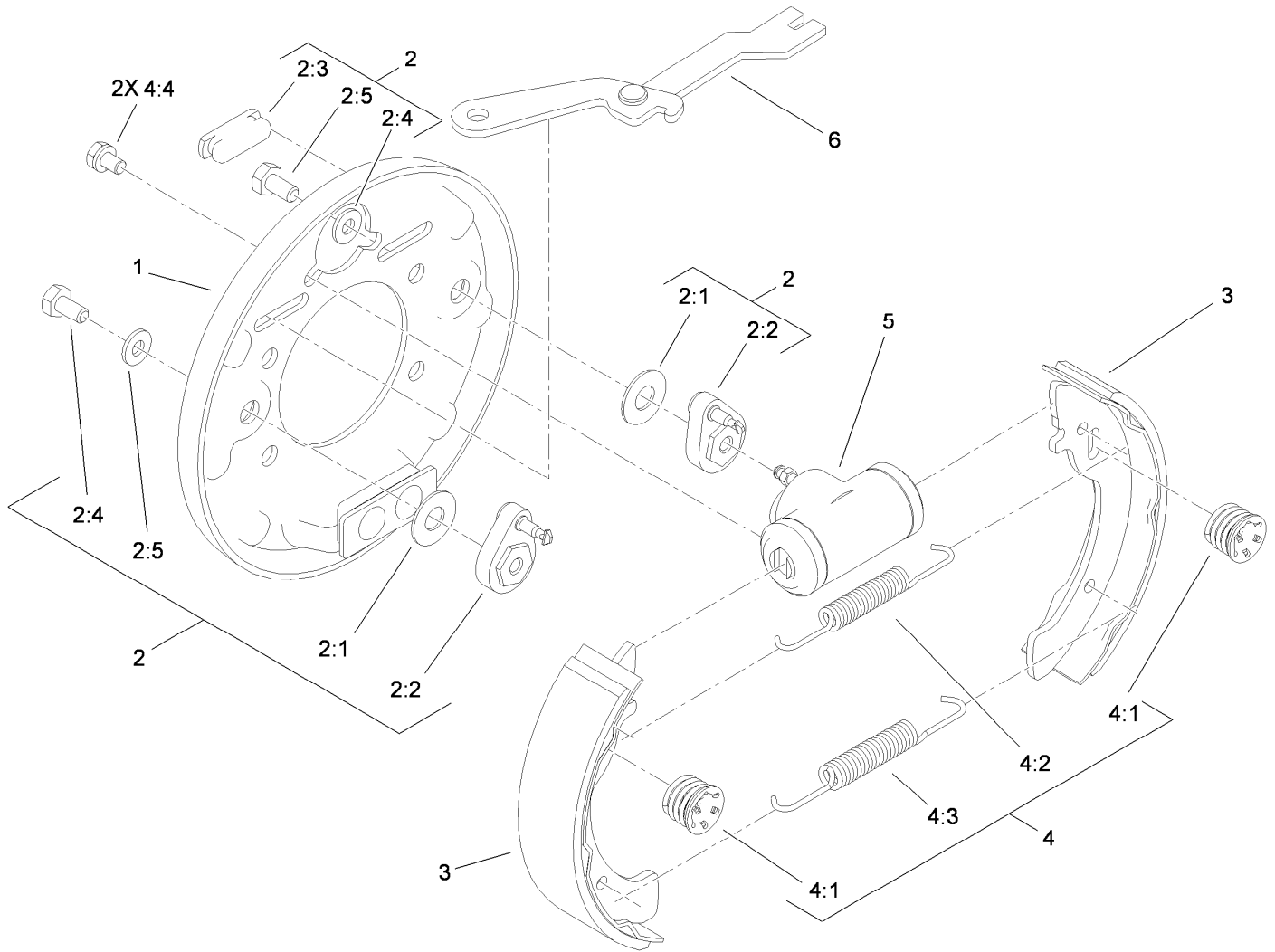
<i>Ref.</i>	<i>Part Number</i>	<i>Qty.</i>	<i>Description</i>	<i>Ref.</i>	<i>Part Number</i>	<i>Qty.</i>	<i>Description</i>
1	114-8331	1	RH Brake ASM	9	115-2341	4	Washer-Banjo
2	114-8332	1	LH Brake ASM	10	115-2340	2	Bolt-Banjo
3	104-6500	2	Drum-Brake	11	104-8300	8	Nut-HF, NI
4	112-2926	1	Rear Brake Line ASM	12	3274-55	8	Screw-HSBH
5	112-3309	2	Cable-Brake	13	283-62	2	Pin-Clevis
6	32180-030	6	Clip-Tie	14	3272-10	2	Pin-Cotter
7	2412-89	2	Clamp-R	15	32120-47	2	Ring-Retaining, External
8	3290-378	2	Tie-Cable	16	32104-17	2	Screw-HWH



## RH Rear Brake Assembly No. 114-8331

Ref.	Part Number	Qty.	Description
1	100-8586	1	Backing Plate ASM
2	104-6820	1	Adjuster Kit
2:1	100-8585	2	Washer-Bellville
2:2	100-8588	2	Adjuster Lever ASM
2:3	100-8584	2	Cover-Dust
2:4		2	Washer ●
2:5		2	Bolt ●
3	104-6818	4	Shoe And Lining Kit
4	104-6819	1	Hardware Kit
4:1	100-8583	2	Shoe Hold Down Spring ASM
4:2	100-8581	2	Spring-Upper
4:3	100-8582	2	Spring-Lower
4:4		2	Bolt And Washer ●
5	114-8333	1	Wheel Cylinder ASM
6	104-6826	1	RH Park Brake Lever ASM

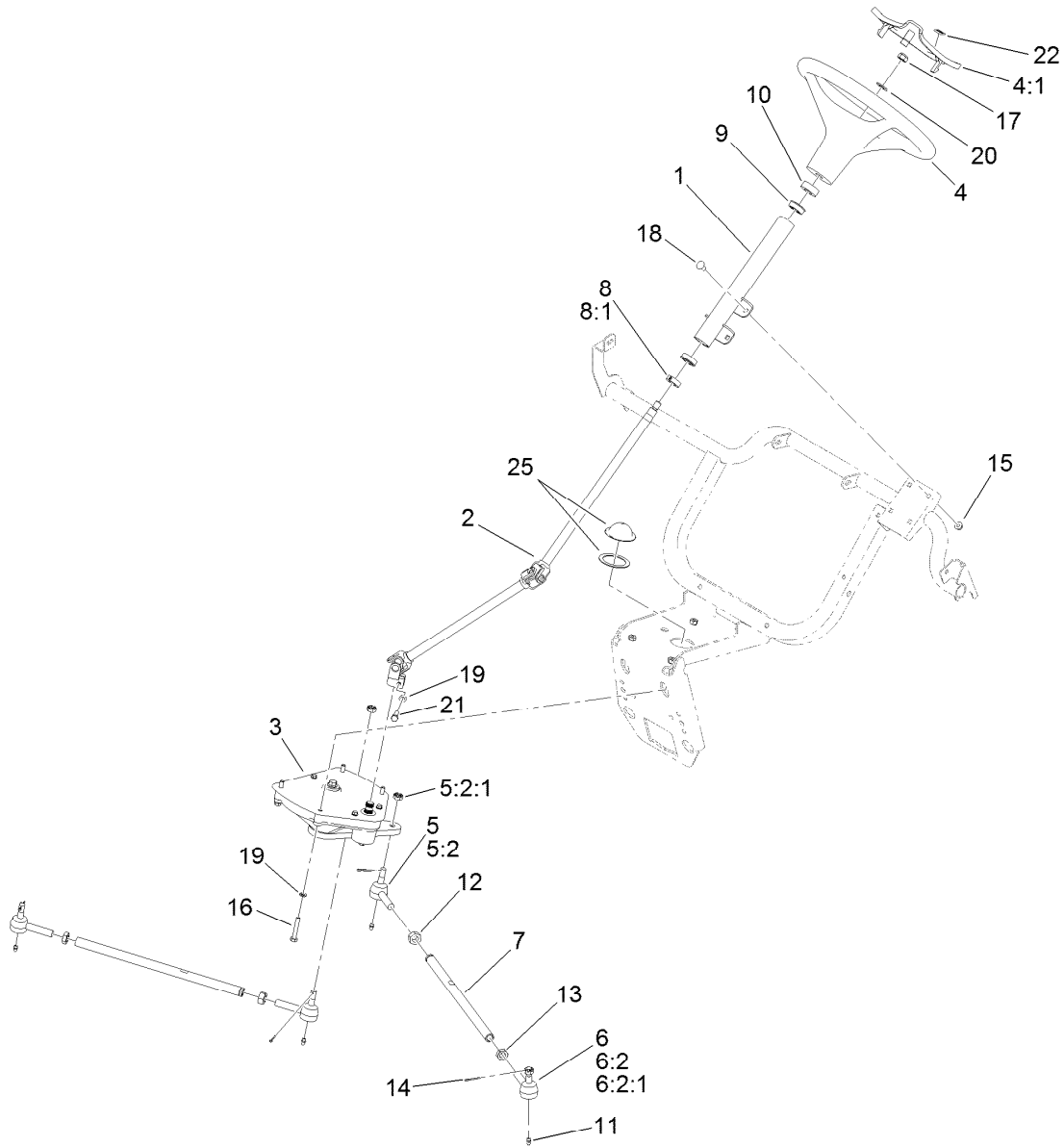
● Not serviced separately



## LH Rear Brake Assembly No. 114-8332

Ref.	Part Number	Qty.	Description
1	100-8586	1	Backing Plate ASM
2	104-6820	1	Adjuster Kit
2:1	100-8585	2	Washer-Bellville
2:2	100-8588	2	Adjuster Lever ASM
2:3	100-8584	2	Cover-Dust
2:4		2	Washer ●
2:5		2	Bolt ●
3	104-6818	4	Shoe And Lining Kit
4	104-6819	1	Hardware Kit
4:1	100-8583	2	Shoe Hold Down Spring ASM
4:2	100-8581	2	Spring-Upper
4:3	100-8582	2	Spring-Lower
4:4		2	Bolt And Washer ●
5	114-8333	1	Wheel Cylinder ASM
6	104-6825	1	LH Park Brake Lever ASM

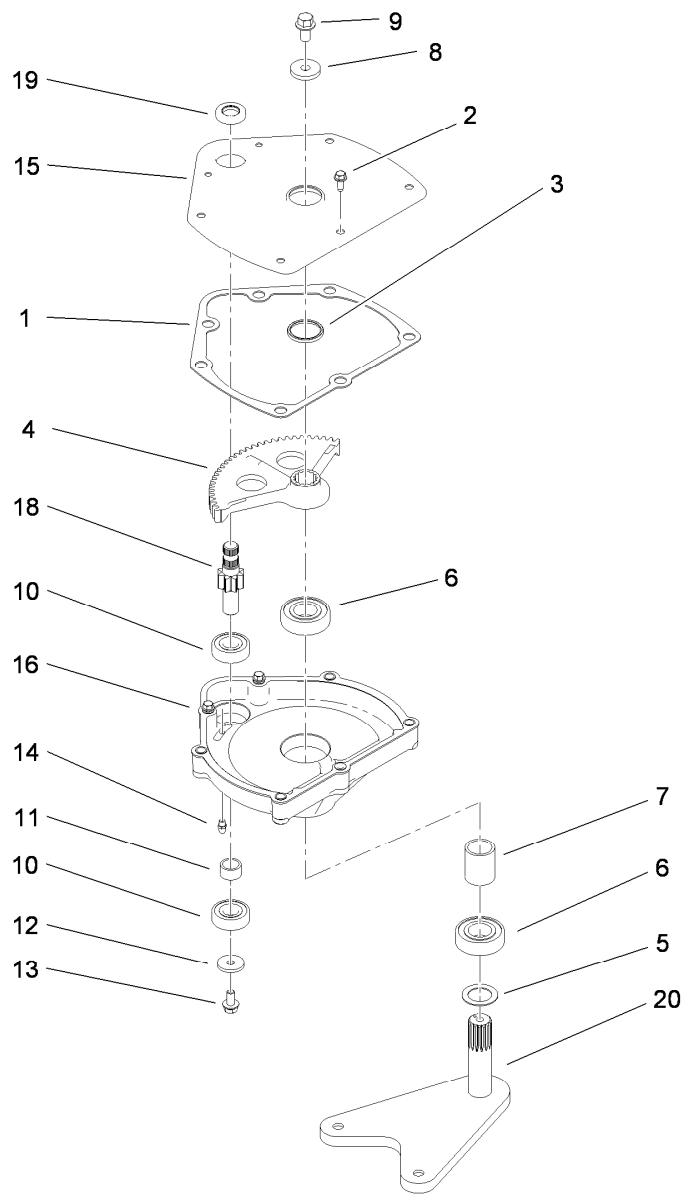
● Not serviced separately



## Steering Assembly

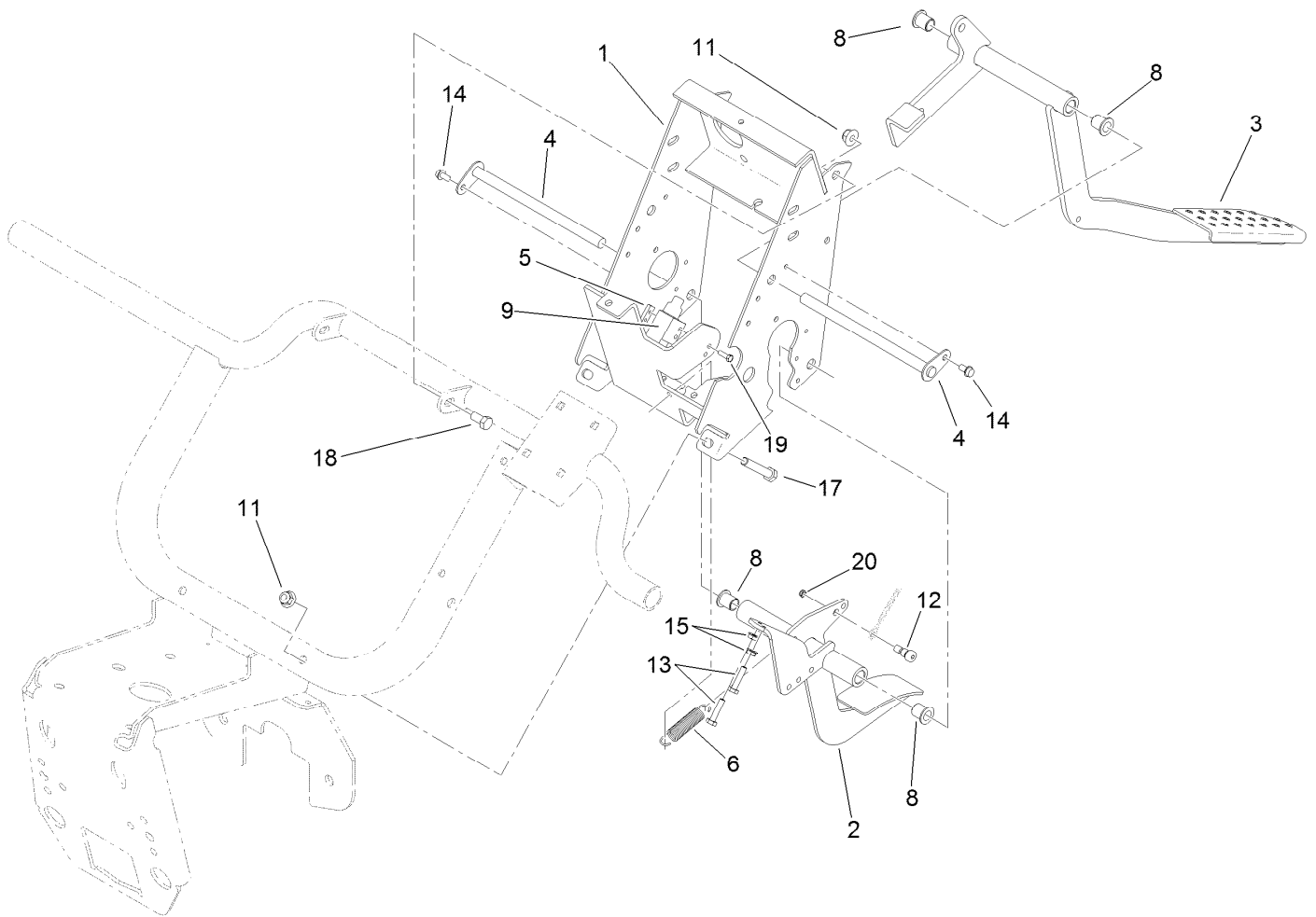
Ref.	Part Number	Qty.	Description	Ref.	Part Number	Qty.	Description
1	112-3264-03	1	Column	10	21-9260	1	Cover-Dust
2	112-3355	1	Steering Shaft ASM	11	302-5	4	Fitting-Grease
3	112-3130	1	Steering Box ASM	12	3218-21	2	Nut-Jam LH
4	98-1471	1	Wheel-Steering	13	3220-11	2	Nut-Jam
4:1	98-1468	1	Cover-Wheel, Steering	14	3272-7	4	Pin-Cotter
5	112771-03	2	Joint-Ball, LH	15	104-8300	4	Nut-HF, NI
5:2		1	Socket-Balljoint ●	16	112-3305	4	Screw-HH
5:2:1	915031	1	Nut	17	119-9493	1	Nut-Lock, NI
6	112772-03	2	Joint-Ball, RH	18	3230-1	4	Bolt-CARR
6:2		1	Socket-Balljoint ●	19	3253-4	5	Washer-Lock
6:2:1	915031	1	Nut	20	3256-26	1	Washer-Flat
7	115-7654	2	Tie Rod	21	48-7730	1	Screw-Cap, HH
8	111383	1	Collar	22	98-1459	1	Decal
8:1	3245-32	1	Screw-HSH	25	120-5049	1	Steering Box Cover Kit
9	112-3262	2	Bearing				

● Not serviced separately



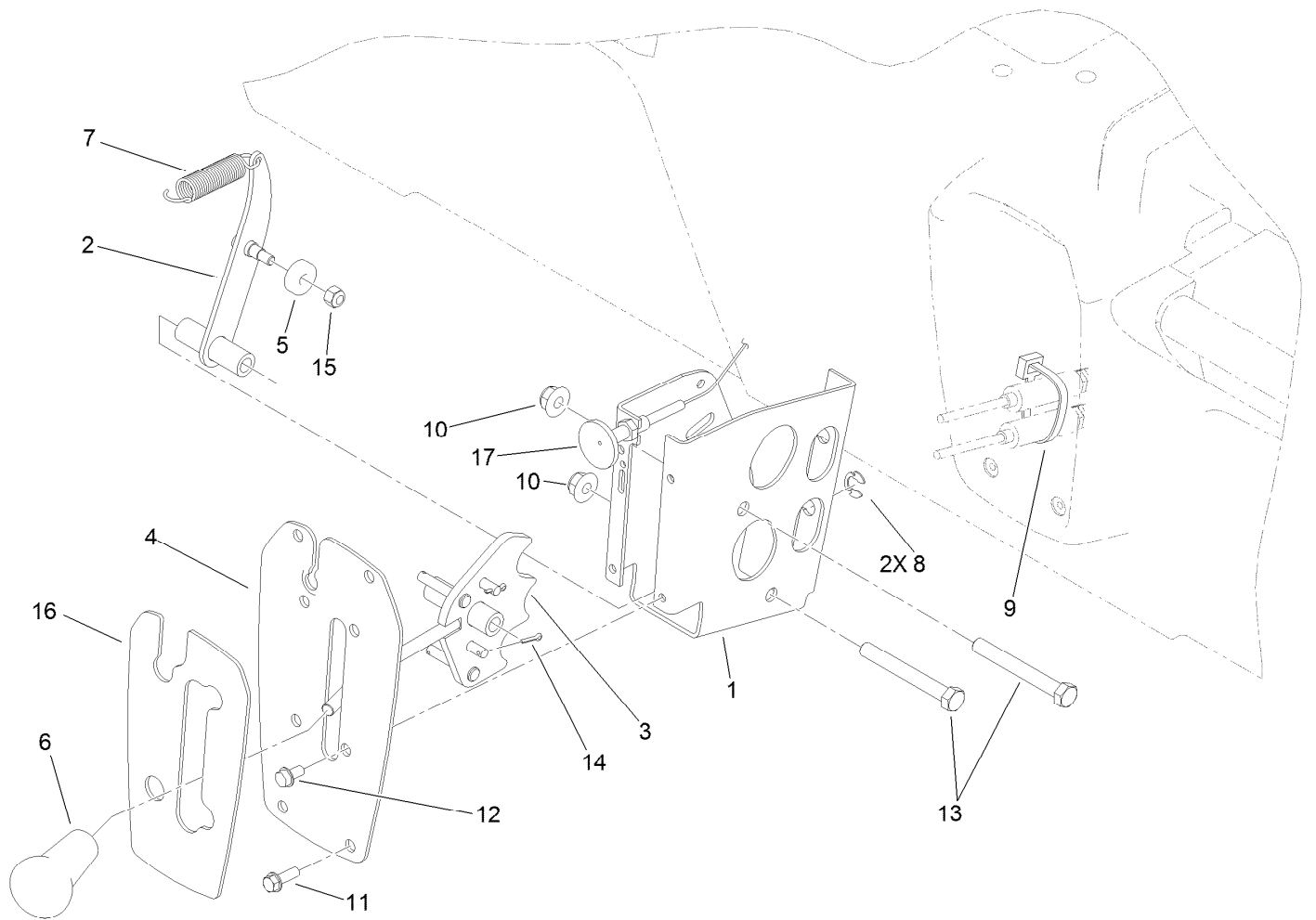
## Steering Box Assembly No. 112-3130

<i>Ref.</i>	<i>Part Number</i>	<i>Qty.</i>	<i>Description</i>	<i>Ref.</i>	<i>Part Number</i>	<i>Qty.</i>	<i>Description</i>
1	94-2135	1	Gasket	11	94-2217	1	Spacer-Shaft, Input
2	32144-10	3	Screw-HWH	12	1-613235	1	Washer
3	103118	1	Seal	13	98-3498	1	Screw-HH
4	99-7843	1	Sector-Gear	14	302-5	1	Fitting-Grease
5	3256-42	1	Washer-Flat	15	112-2918-03	1	Cover-Housing, Steering
6	251-82	2	Bearing-Ball	16	114-8309	1	Housing-Steering
7	112-2917	1	Spacer	18	115-7726	1	Gear-Pinion
8	104-6563	1	Washer-Stepped	19	99-7657	1	Seal-Oil
9	104-7156	1	Screw-HHF	20	112-3096-03	1	Arm-Pitman
10	38-7820	2	Bearing-Ball				



## Pedal Box Assembly

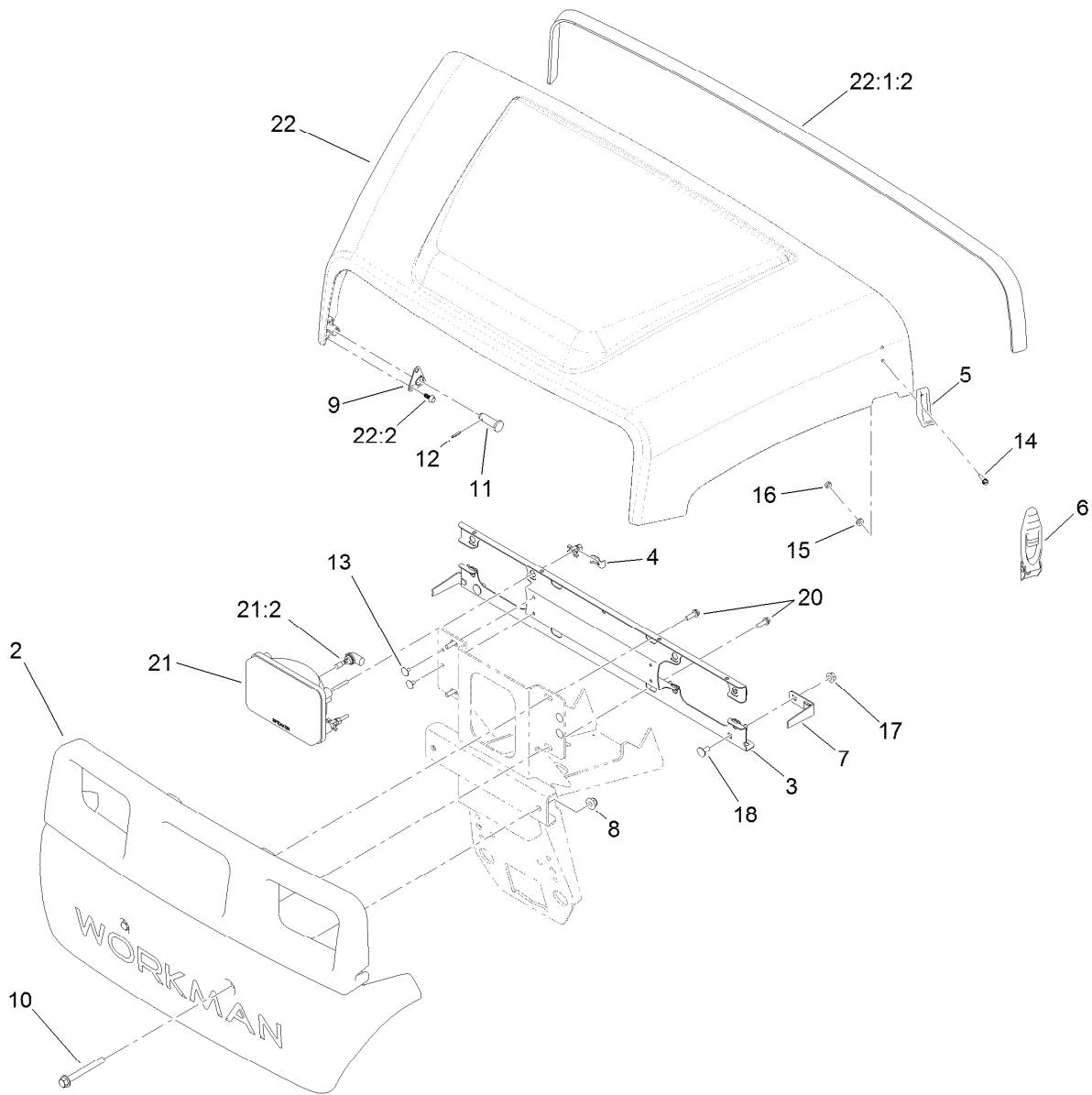
<i>Ref.</i>	<i>Part Number</i>	<i>Qty.</i>	<i>Description</i>	<i>Ref.</i>	<i>Part Number</i>	<i>Qty.</i>	<i>Description</i>
1	119-0748-03	1	Support-Pedal	12	1-809056	1	Screw-HSH
2	119-9747-03	1	Pedal-Throttle	13	321-7	2	Screw-HH
3	112-3314-03	1	Pedal-Brake	14	32144-4	2	Screw-HWH
4	104-7164	2	Pivot-Pedal	15	32149-2	2	Nut-Keps
5	1-633181	1	Plate-Tapped	17	323-11	2	Screw-HH
6	104-6415	1	Spring-Return, Pedal	18	323-4	2	Screw-HH
8	125-8775	4	Bushing-Flange	19	3290-134	2	Screw
9	99-7407	1	Switch	20	3296-47	1	Nut-Lock,NI
11	104-8301	4	Nut-HF, NI				



## Shifter Assembly

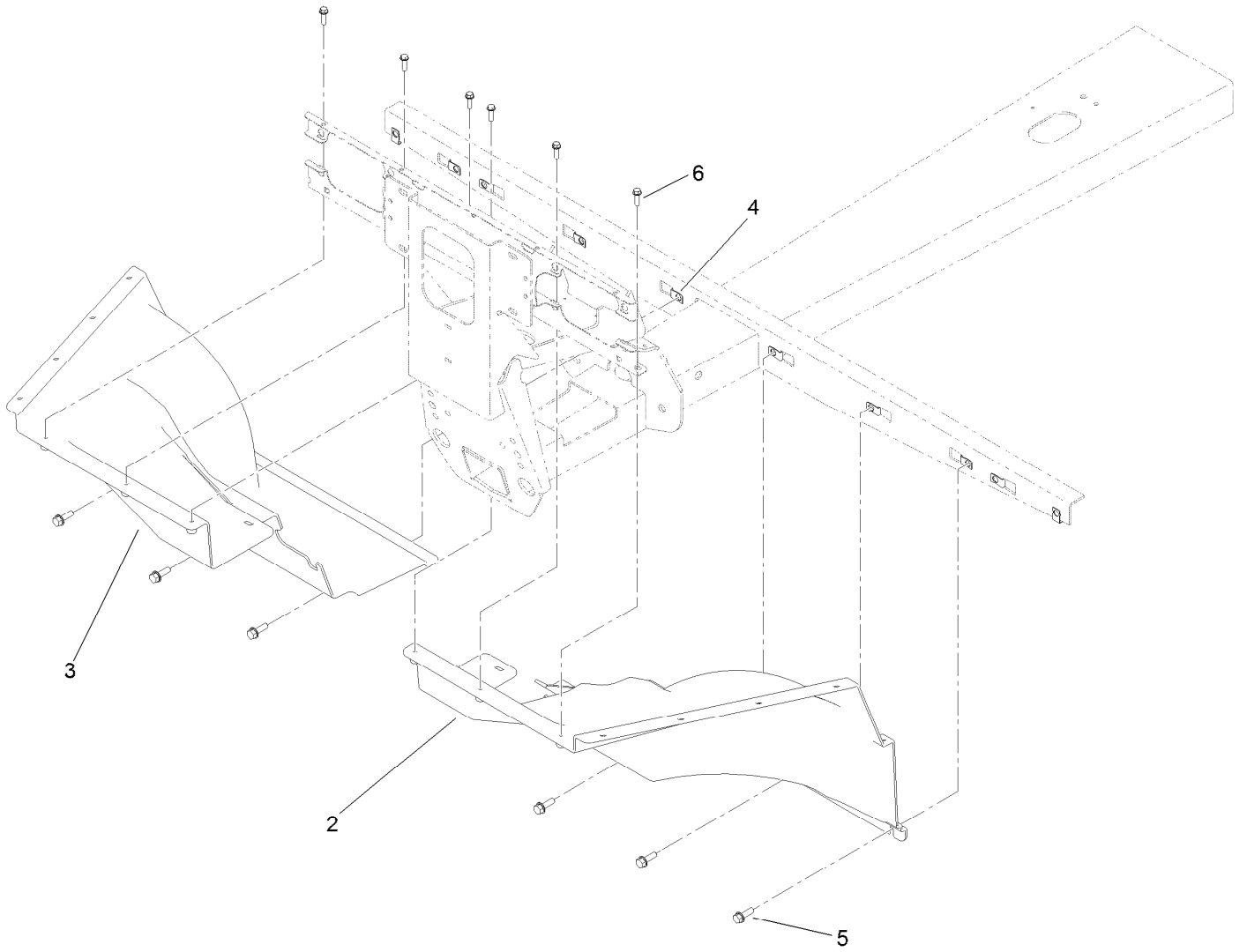
<i>Ref.</i>	<i>Part Number</i>	<i>Qty.</i>	<i>Description</i>	<i>Ref.</i>	<i>Part Number</i>	<i>Qty.</i>	<i>Description</i>
1	108-3141-03	1	Bracket-Shift	10	104-8301	2	Nut-HF, NI
2	108-3138	1	Arm-Detent	11	32105-15	4	Screw-HWH
3	114-2719	1	Plate-Detent	12	32144-4	4	Screw-HWH
4	99-7887-03	1	Plate-Shifter	13	323-14	2	Screw-HH
5	251-307	1	Bearing-Ball	14	3272-5	2	Pin-Cotter
6	99-7981	1	Knob-Grip, Soft	15	3296-42	1	Nut-Lock, NI
7	104-6415	1	Spring-Return, Pedal	16	99-7952	1	Decal-Shifter
8	32151-101	2	E-Ring	17	104-6507	1	Cable-Choke
9	3290-378	1	Tie-Cable				





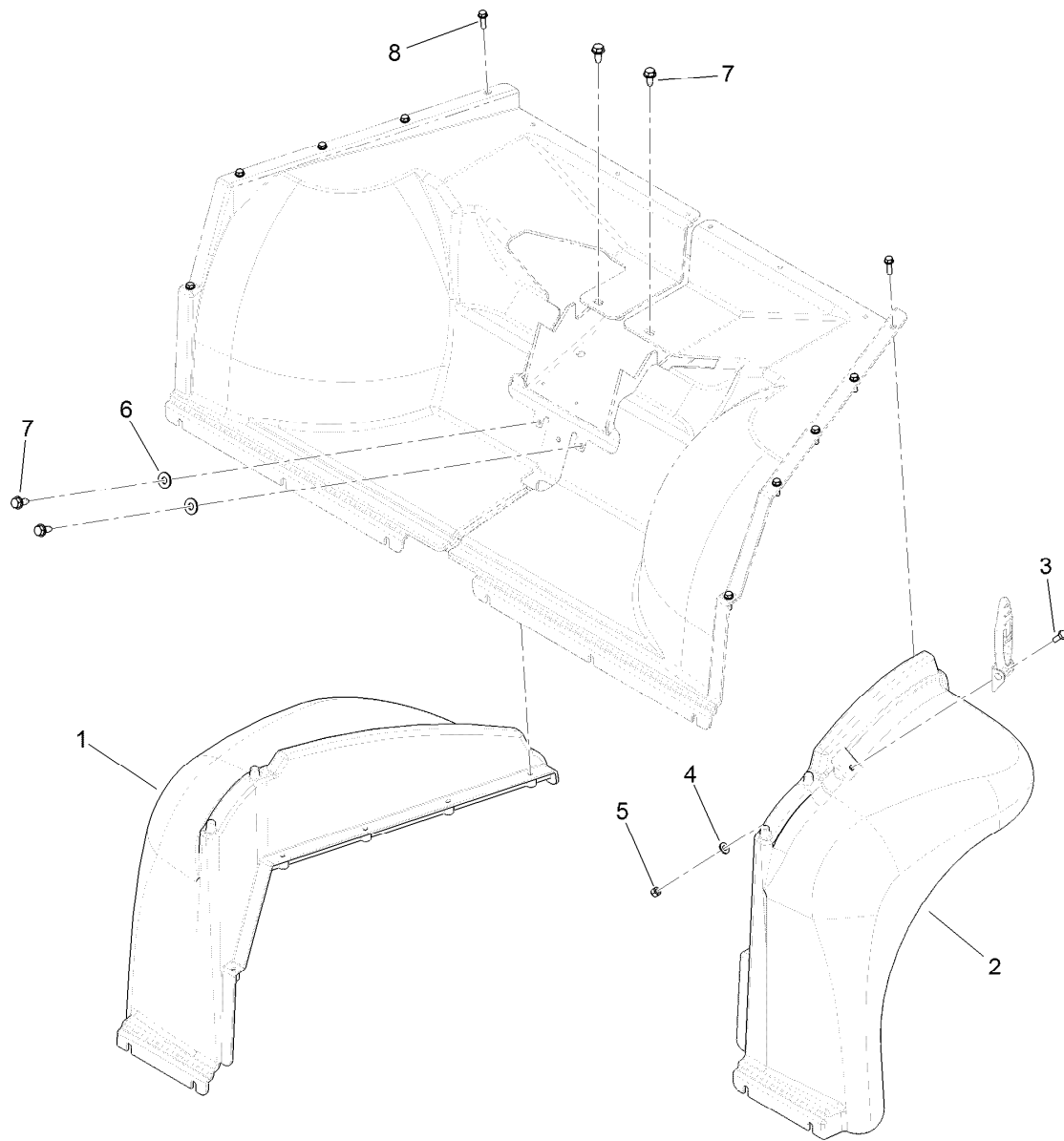
## Hood and Bumper Assembly

<i>Ref.</i>	<i>Part Number</i>	<i>Qty.</i>	<i>Description</i>	<i>Ref.</i>	<i>Part Number</i>	<i>Qty.</i>	<i>Description</i>
2	112-3365	1	Bumper	14	32105-13	4	Screw-HWH
3	119-0841-03	1	Bracket-Headlight	15	3256-14	4	Washer-Flat
4	115-2408	6	Clip-Speed	16	3296-2	4	Nut-Lock, NI
5	103-2897	2	Latch-Catch	17	32128-20	2	Nut-HF
6	115-2416	2	Latch-Rubber	18	3230-18	2	Screw-CARR
7	112-3373	2	Keeper-Pivot, Hood	20	46-8091	4	Screw-HWH
8	104-8301	2	Nut-HF, NI	21	114-8322	2	Headlight ASM
9	112-3308	2	Retainer-Pin	21:2	115-2395	1	Bulb-Light
10	115-7660	2	Screw-HHF	22	121-9606	1	Hood ASM
11	117-5094	2	Pin-Clevis	22:1:2	115-7635	1	Seal-Foam
12	32121-50	2	Pin-Spring	22:2	121-9605	6	Screw-HWH
13	146489	4	Rivet				



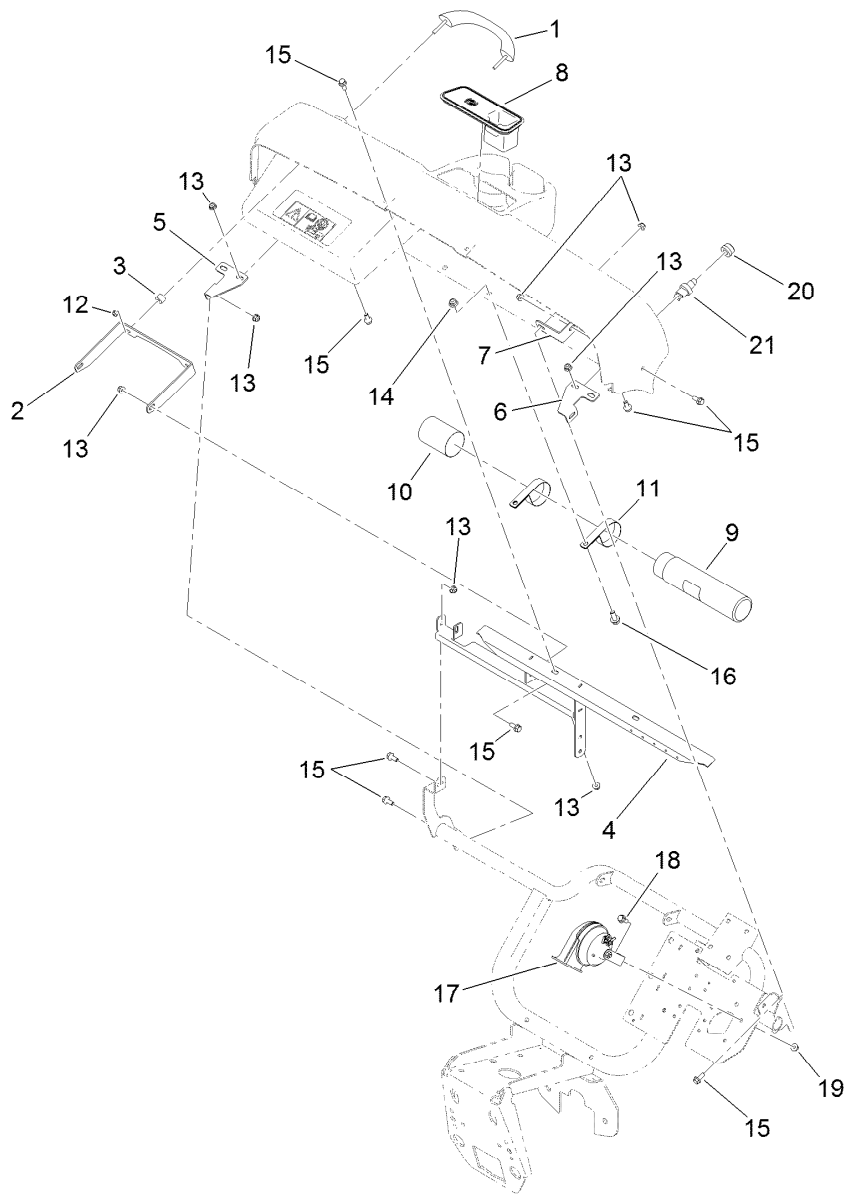
## Fender Well Assembly

<i>Ref.</i>	<i>Part Number</i>	<i>Qty.</i>	<i>Description</i>
2	112-3369	1	Well-Fender, LH
3	112-3368	1	Well-Fender, RH
4	112-3306	10	Nut
5	3234-29	10	Screw-HHF
6	46-8091	6	Screw-HWH



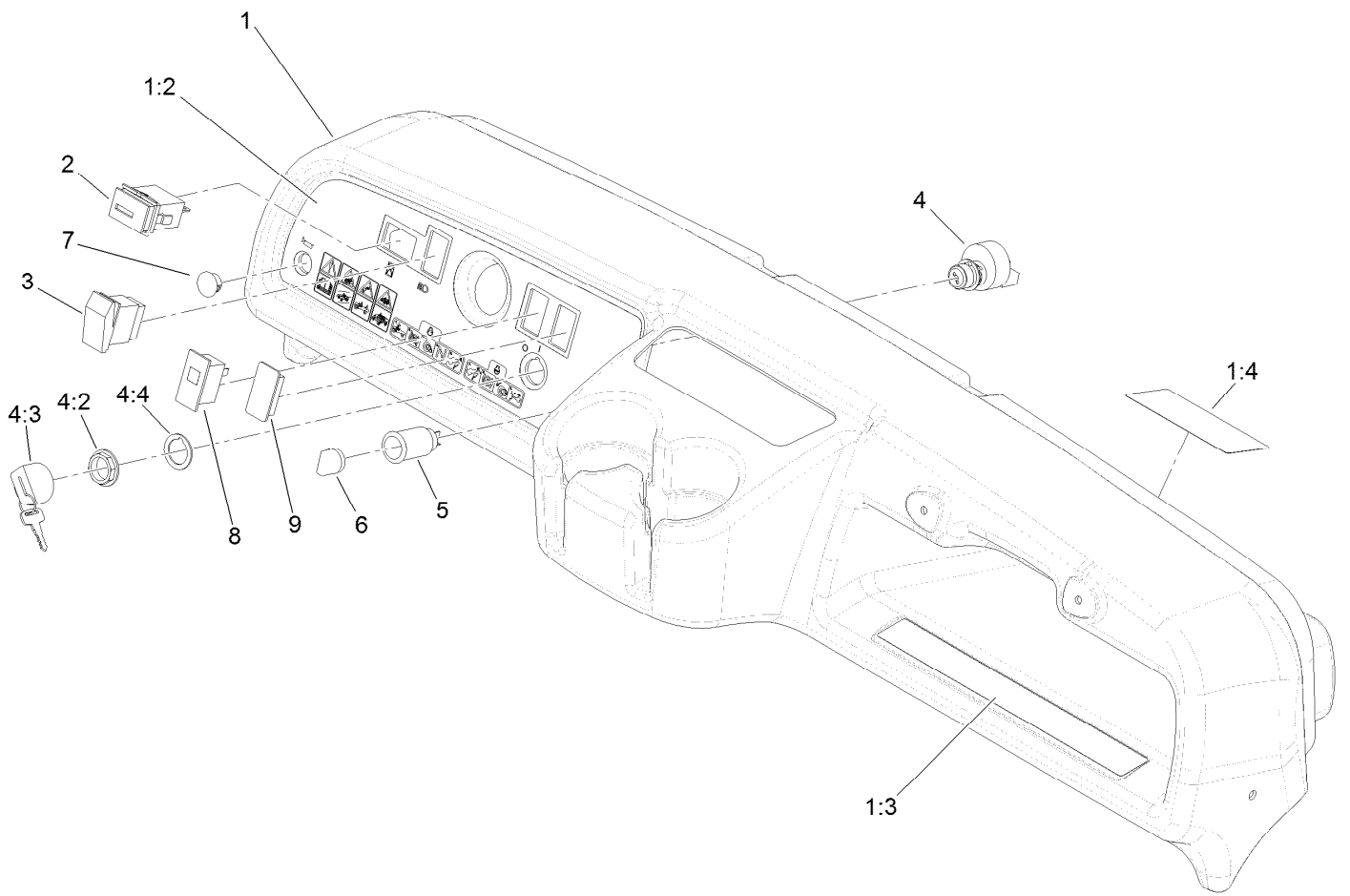
## Fender Assembly

<i>Ref.</i>	<i>Part Number</i>	<i>Qty.</i>	<i>Description</i>
1	112-3371	1	Fender-LH
2	112-3370	1	Fender-RH
3	321-39	2	Screw-HH
4	3256-22	2	Washer-Flat
5	3296-42	2	Nut-Lock, NI
6	3256-71	2	Washer-Flat
7	32104-32	4	Screw-HWH
8	46-8091	10	Screw-HWH



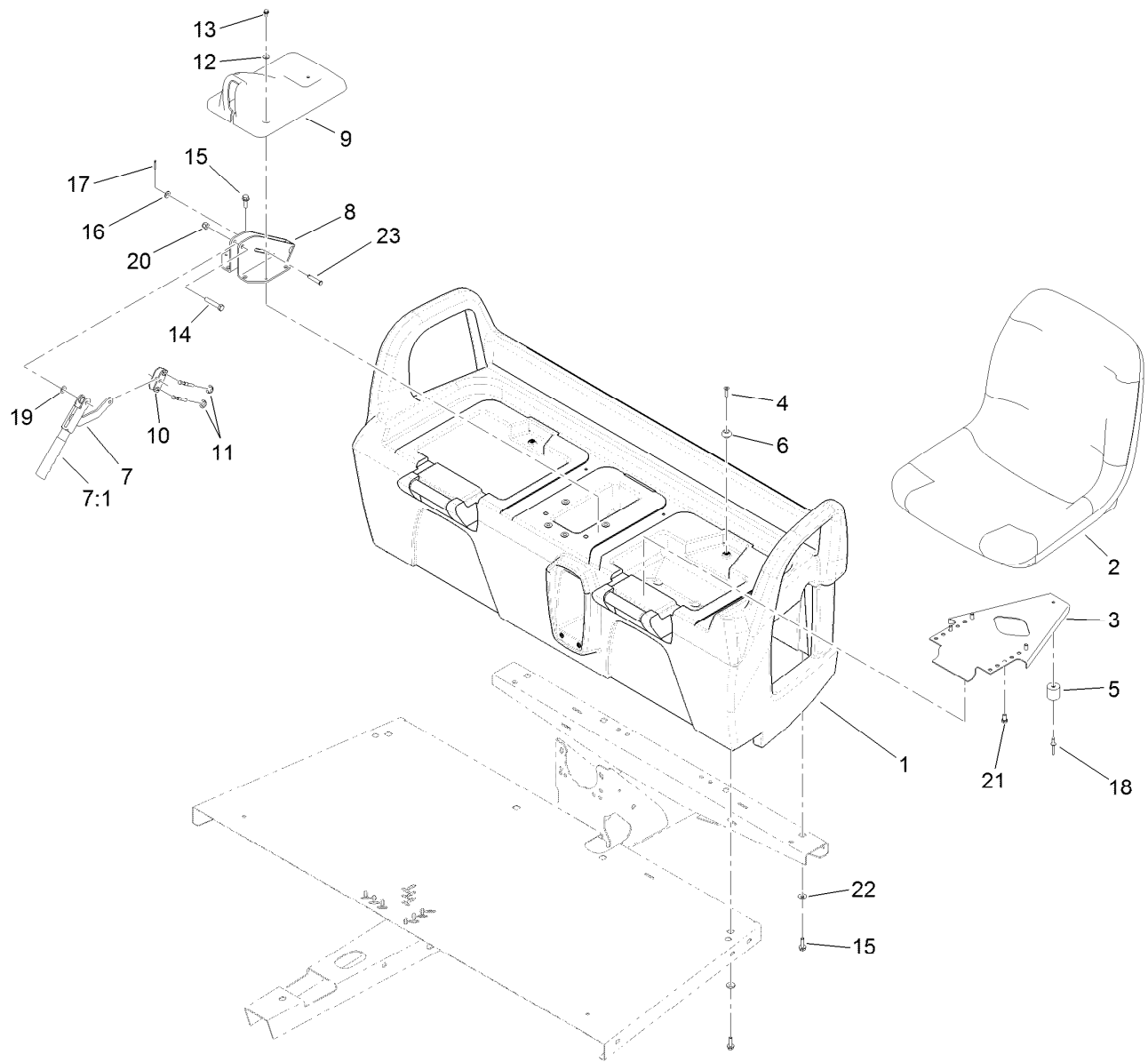
## Dash Installation Assembly

<i>Ref.</i>	<i>Part Number</i>	<i>Qty.</i>	<i>Description</i>	<i>Ref.</i>	<i>Part Number</i>	<i>Qty.</i>	<i>Description</i>
1	112-3320	1	Handle-Grip	12	104-7201	2	Nut-Flange, NI
2	112-3391-03	1	Bracket-Grip, Handle	13	104-8300	15	Nut-HF, NI
3	114-8301	2	Spacer	14	104-8301	2	Nut-HF, NI
4	115-7651-03	1	Support-Dash	15	110-5053	15	Screw-HHF
5	114-8304	1	Bracket-Mount, Dash (RH)	16	3234-11	2	Screw-HHF
6	114-8312	1	Bracket-Mount, Dash (LH)	17	110-2594	1	Horn
7	114-8305	1	Angle-Mount, Dash (LH)	18	110-5053	1	Screw-HHF
8	104-6930	1	Plug-Rubber	19	104-8300	1	Nut-HF, NI
9	104-7050	1	Tube-Manual	20	112-3313	1	Nut-Weatherproof
10	104-7048	1	Cap-Housing	21	112-3324	1	Switch-Horn
11	2412-133	2	Clamp-R				



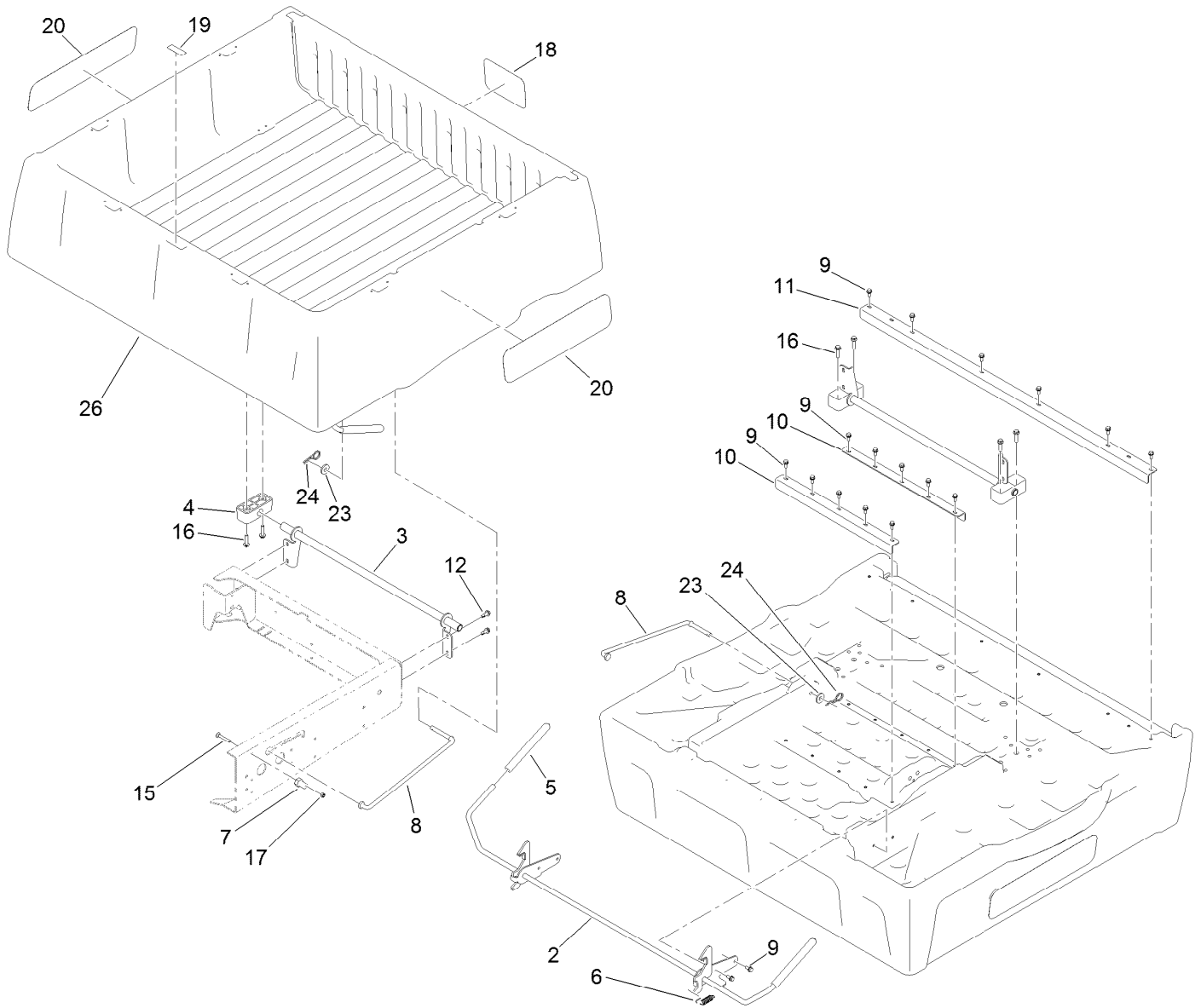
## Dash Assembly

<i>Ref.</i>	<i>Part Number</i>	<i>Qty.</i>	<i>Description</i>
1	114-8310	1	Dash ASM
1:2	117-5001	1	Decal-Panel, Control
1:3	104-6581	1	Decal-Danger
1:4	115-2412	1	Decal-No Storage
2	94-4208	1	Hourmeter
3	95-8999	1	Switch
4	120-3956	1	Ignition Switch ASM
4:2	108-8660	1	Nut-Mounting
4:3	106-5270	1	Ignition Key Set
4:4	108-8659	1	Washer-Backup
5	99-7411	1	Point-Power
6	99-7416	1	Cap
7	94-5627	1	Plug
8	99-7410	1	Indicator-Light, Low-Oil Pressure
9	99-7420	1	Plug-Hole



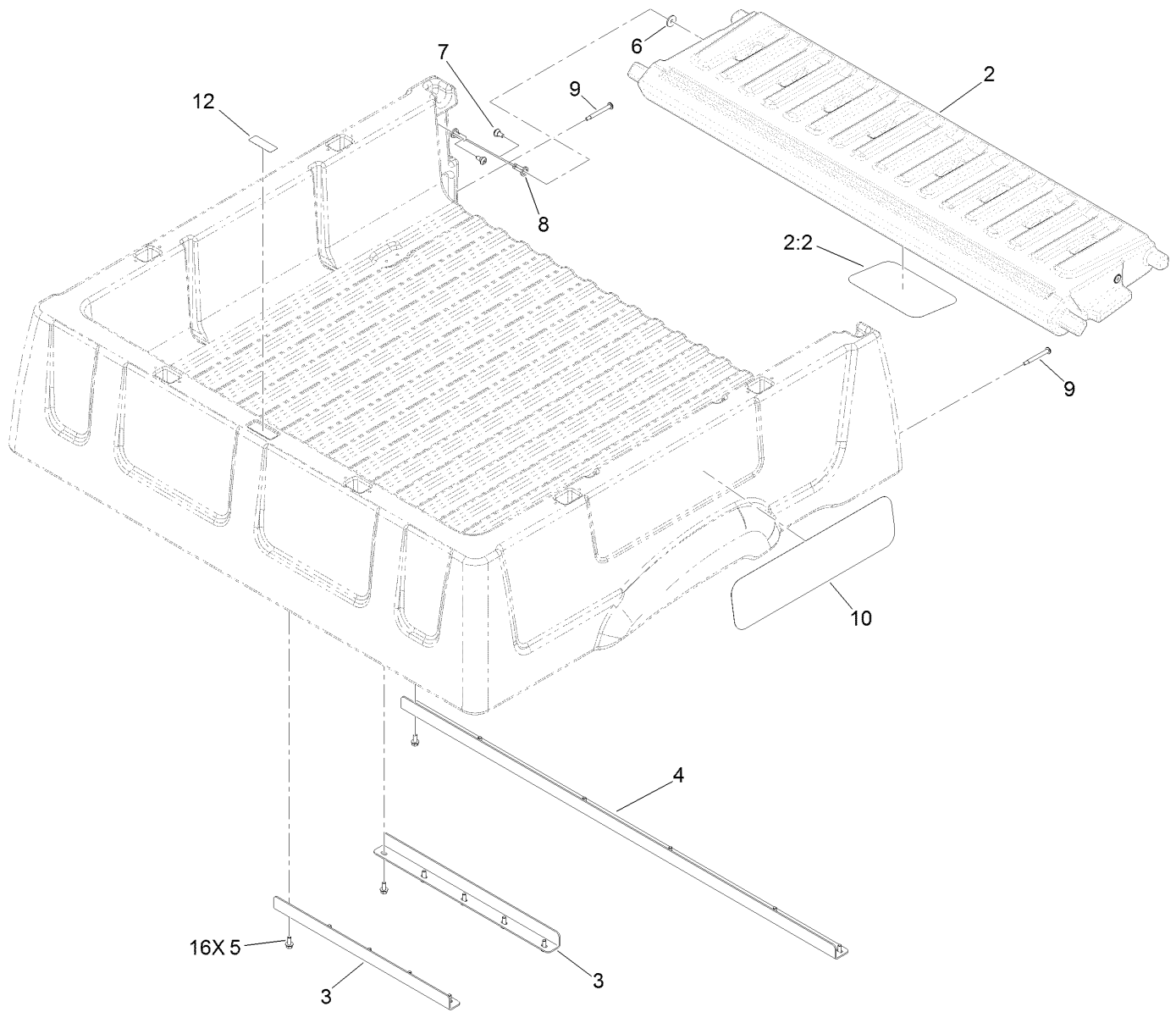
## Seatbase Assembly

<i>Ref.</i>	<i>Part Number</i>	<i>Qty.</i>	<i>Description</i>	<i>Ref.</i>	<i>Part Number</i>	<i>Qty.</i>	<i>Description</i>
1	104-6847	1	Base-Seat	12	3256-1	2	Washer-Flat
2	112-2923	2	Seat ASM	13	32144-4	2	Screw-HWH
3	99-7829	2	Bracket-Seat	14	323-10	1	Screw-HH
4	32108-5	2	Screw-FH	15	3234-17	12	Screw-HHF
5	99-7830	2	Receptical-Rubber	16	3256-23	1	Washer-Plain
6	99-7833	2	Post-Holding	17	3272-6	1	Pin-Cotter
7	127-8863	1	Lever-Brake, Park	18	3290-412	2	Rivet-Blind
7:1	127-8864	1	Grip-Handle	19	3290-477	1	Washer-Curved
8	104-6844-03	1	Support-Brake, Park	20	3296-39	1	Nut-Lock, NI
9	104-7014	1	Cover-Brake, Parking	21	33114-016	8	Screw-HH
10	87-3480	1	Bracket-Equalizer, Cable	22	88-7200	8	Washer-Flat
11	32120-47	2	Ring-Retaining, External	23	94-3829	1	Pin-Clevis



## Cargo Bed Assembly

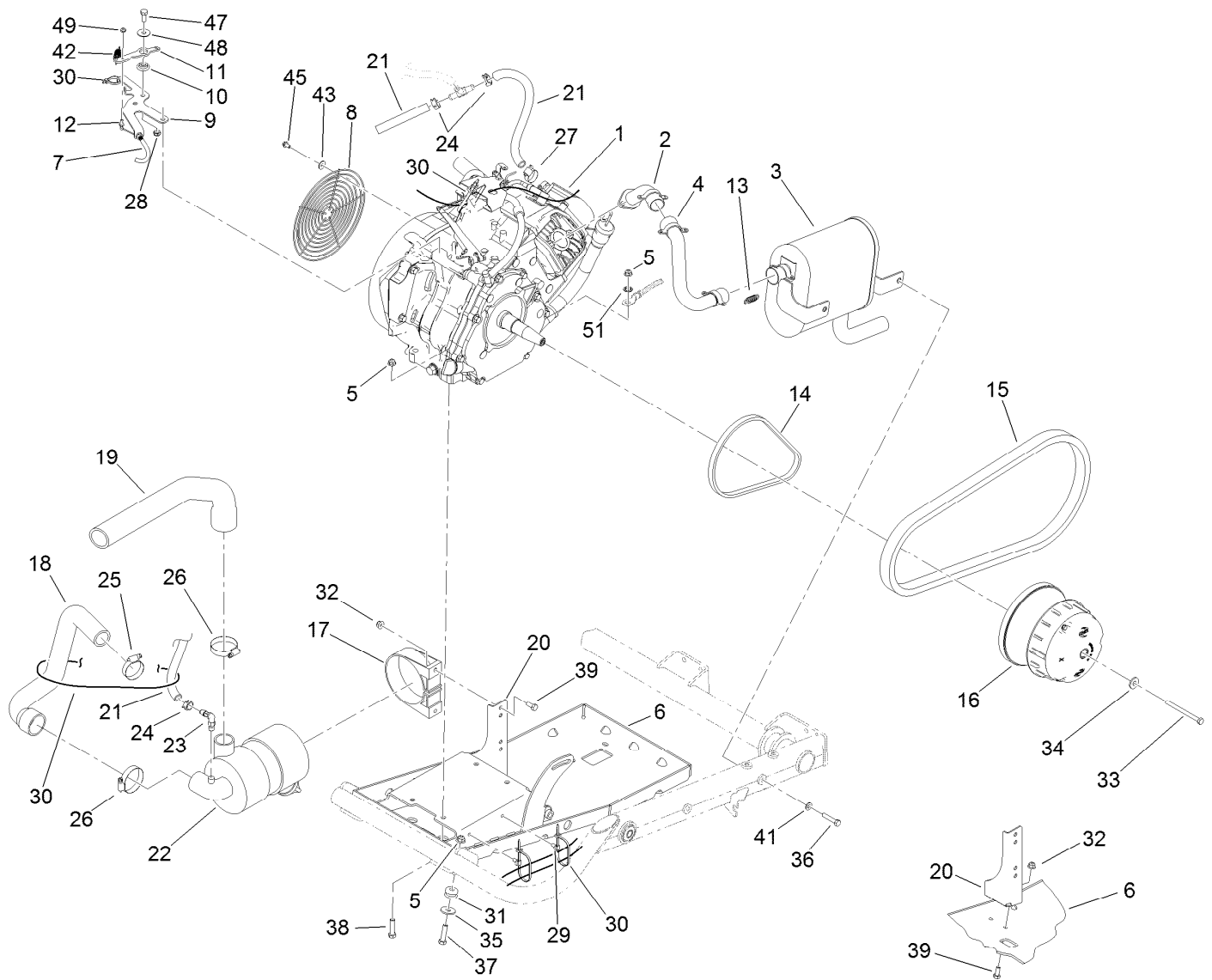
<i>Ref.</i>	<i>Part Number</i>	<i>Qty.</i>	<i>Description</i>	<i>Ref.</i>	<i>Part Number</i>	<i>Qty.</i>	<i>Description</i>
2	121-6344	1	Latch	15	3230-7	2	Bolt-CARR
3	119-0848-03	1	Bracket-Pivot	16	3234-18	4	Screw-HHF
4	121-6342	2	Bushing-Pivot	17	3296-29	2	Nut-Lock, NI
5	119-9627	2	Grip-Handle	18	104-7213	1	Decal
6	5-7290	2	Spring-Tension	19	115-7739	1	Decal-No Riders
7	104-7248	2	Pin-Latch	20	119-0894	2	Decal
8	121-6316	1	Rod-Prop	23	110-6147	1	Washer-Flat
9	3234-5	20	Screw-HHF	24	107-3155	1	Hairpin
10	121-6314-03	2	Brace-Bed, Middle	26	127-7384	1	Complete Cargo Bed Service ASM
11	121-6315-03	1	Brace-Bed, Rear				
12	105-6245	4	Screw-Tapping				



## Cargo Bed Service Assembly No. 127-7384

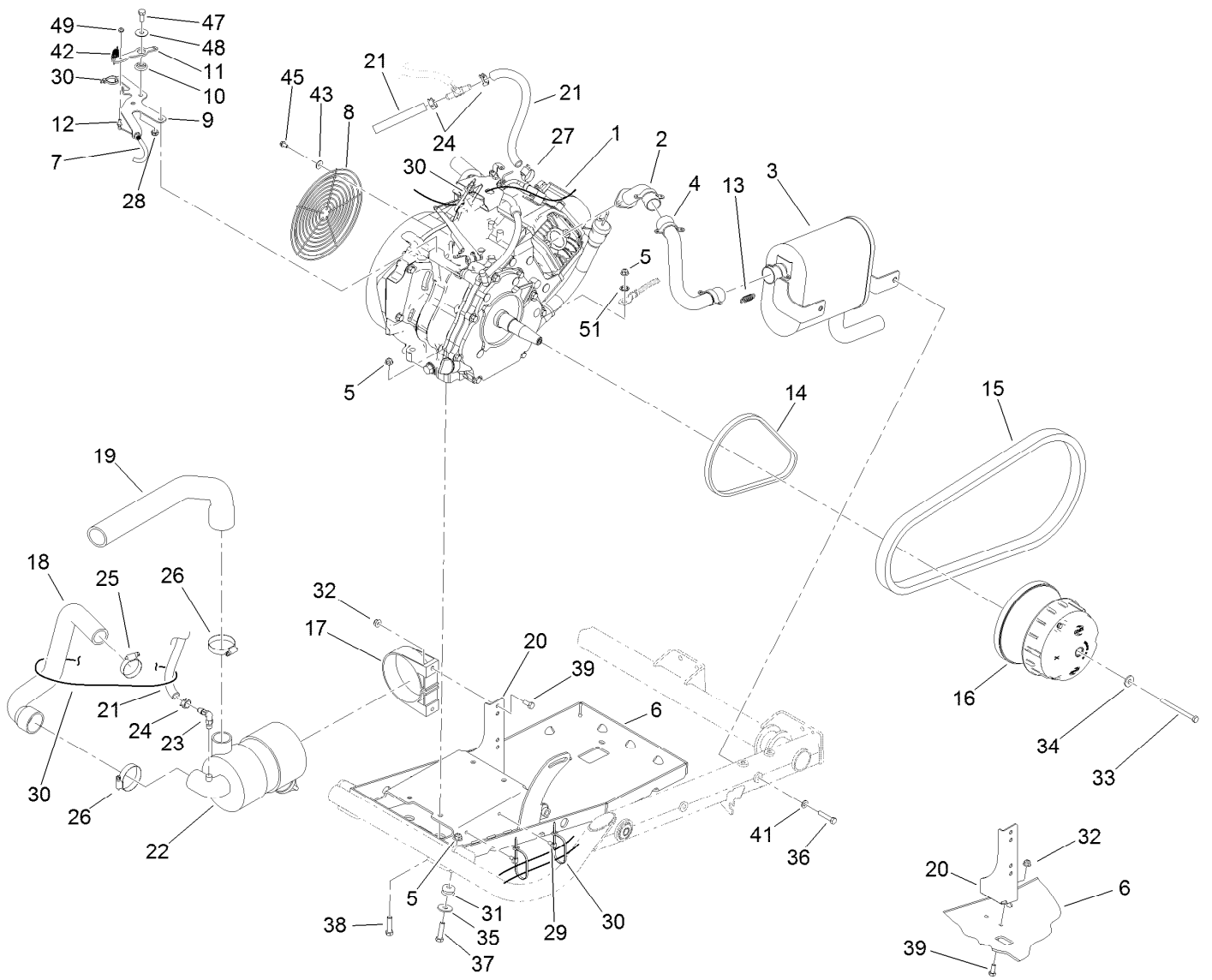
<i>Ref.</i>	<i>Part Number</i>	<i>Qty.</i>	<i>Description</i>
2	127-7396	1	Tailgate ASM
2:2	104-7213	1	Decal
3	121-6314-03	2	Brace-Bed, Middle
4	121-6315-03	1	Brace-Bed, Rear
5	3234-5	16	Screw-HHF
6	115-7109	2	Washer-Flat
7	119-2267	4	Screw-Shoulder, BHTF
8	121-6343	2	Lanyard-Tailgate
9	127-7383	2	Screw-Shoulder, Bh (Torx)
10	120-4825	2	Decal
12	115-7739	1	Decal-No Riders





## Engine, Clutch and Air Cleaner Assembly

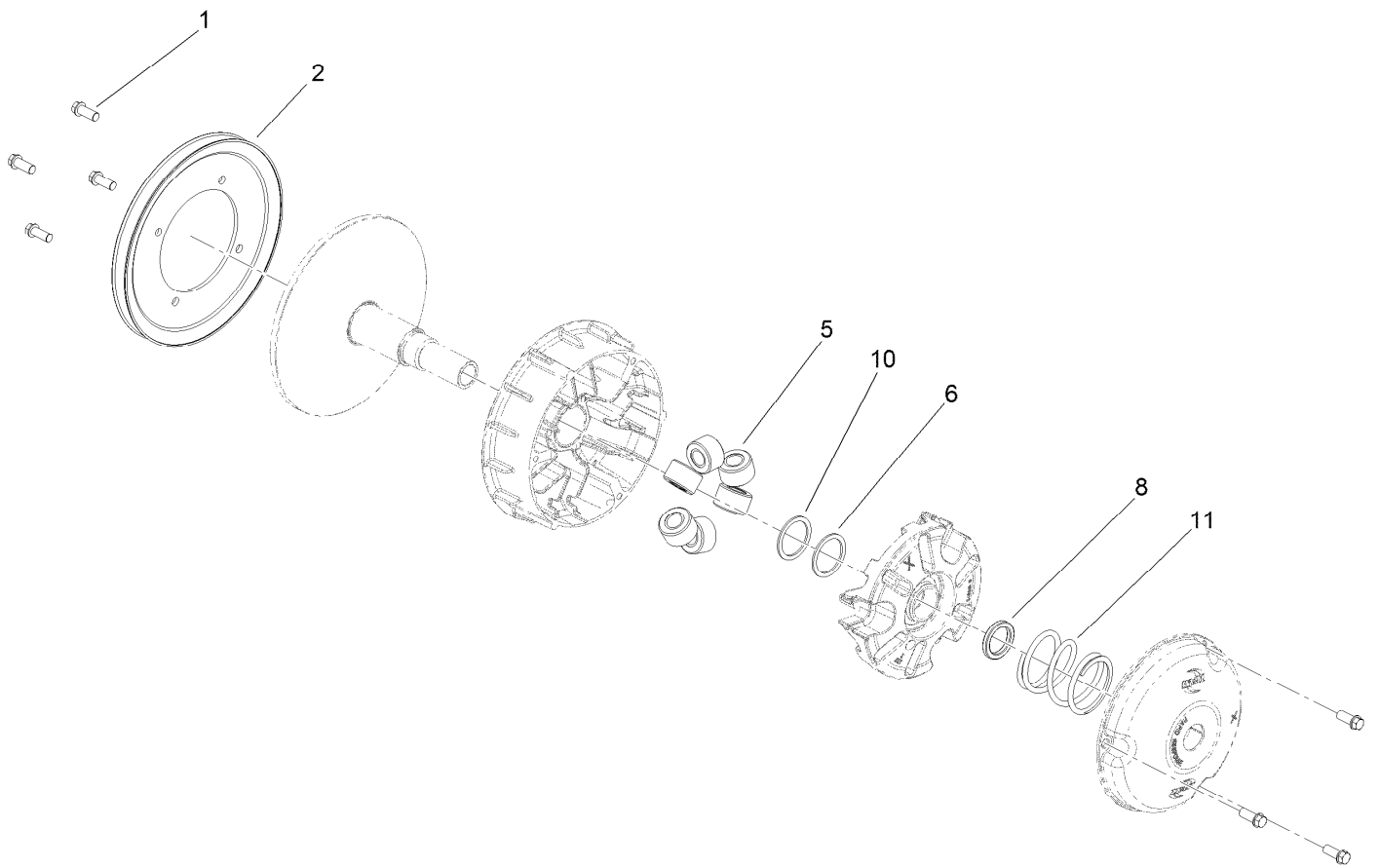
Ref.	Part Number	Qty.	Description	Ref.	Part Number	Qty.	Description
1	121-6276	1	Engine ASM (Yamaha Mx360)	20	119-0863-03	1	Bracket-Cleaner, Air
2	104-6511	1	Manifold	21	74-9120	2	Hose-Overflow, Radiator
3	119-0746	1	Muffler	22	99-7120	1	Air Cleaner ASM
4	119-0716	1	Pipe-Exhaust, Kohler	23	131-3464	1	Fitting-90 Degree
5	104-8301	6	Nut-HF, NI	24	103-1988	3	Clamp-Hose
6	119-0707-03	1	Tray-Engine	25	2412-111	1	Clamp
7	115-7612	1	Cable-Accelerator	26	2412-130	2	Clamp-Hose
8	119-9502	1	Grill-Engine	27	2412-36	1	Clamp-Hose
9	121-9715	1	Bracket-Cable, Throttle	28	3296-47	1	Nut-Lock,NI
10	75-8700	1	Bushing-Idler	29	32180-030	2	Clip-Tie
11	121-9716	1	Lever-Throttle	30	3290-378	4	Tie-Cable
12	99-7847	1	Ball-Stud	31	63-9750	2	Mount
13	104-6478	4	Spring-Extension	32	104-8300	4	Nut-HF, NI
14	112-3131	1	Belt-Starter	33	119-0721	1	Screw-HH
15	119-0710	1	Belt-Variable	34	119-0724	1	Washer-Flange
16	120-4823	1	Primary Clutch ASM	35	2844	2	Washer
17	95-5806	1	Bracket-Mounting, Air Cleaner	36	322-11	2	Screw-HH
18	112-3247	1	Hose-Intake	37	323-8	2	Screw-HH
19	115-7625	1	Hose-Intake	38	323-9	4	Screw-HH
				39	3234-36	4	Screw-HHF
				41	3253-4	2	Washer-Lock



## Engine, Clutch and Air Cleaner Assembly (continued)

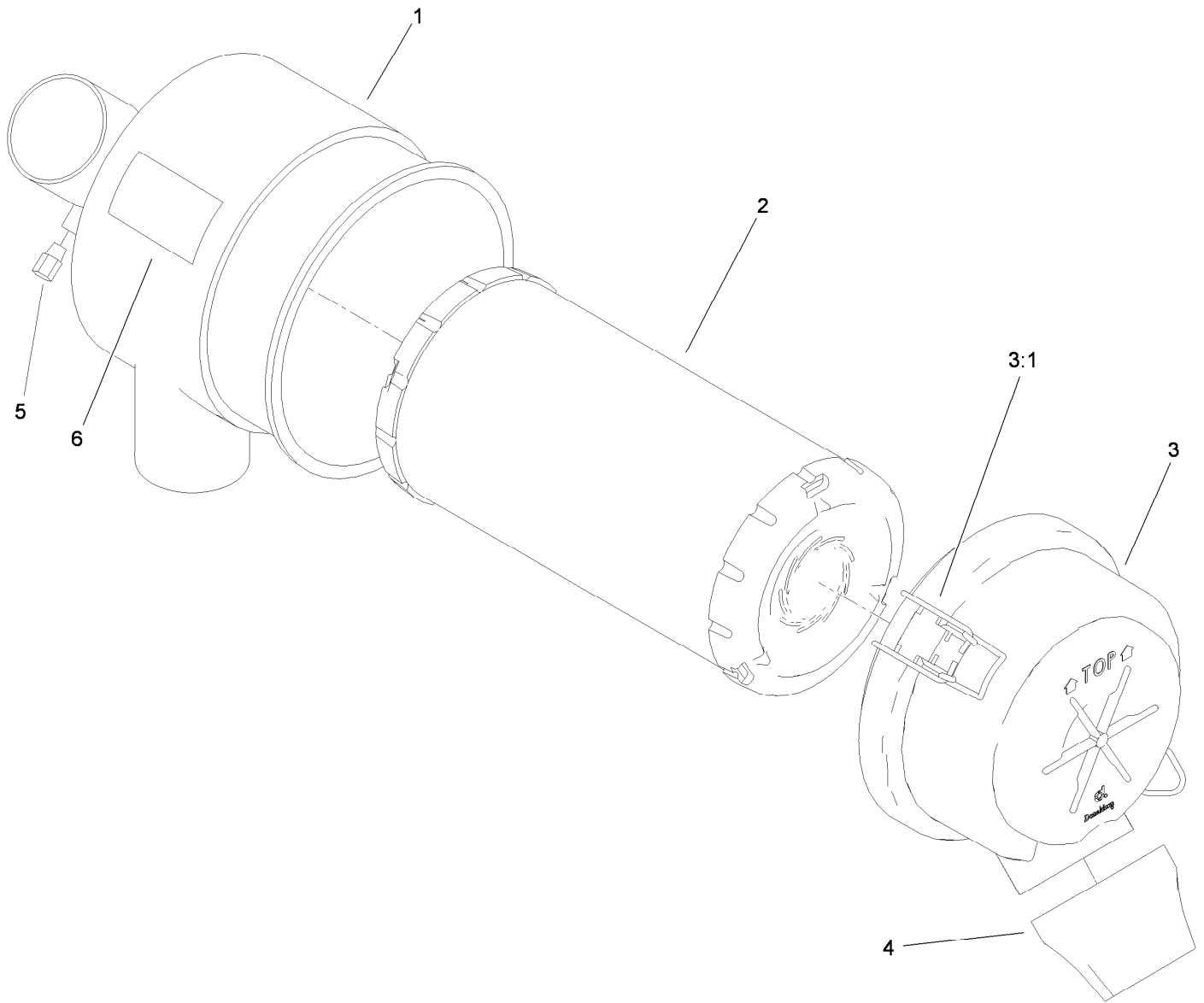
Ref.	Part Number	Qty.	Description
42	71-5470	1	Spring-Brake
43	3256-78	4	Washer-Flat
45	33103-012	4	Screw-HHF
47	322-4	1	Screw-HH

Ref.	Part Number	Qty.	Description
48	4-2390	1	Washer-Flat
49	3296-27	1	Nut-Lock, NI
51	3254-6	1	Washer-Lock, Internal



## Primary Clutch Assembly No. 120-4823

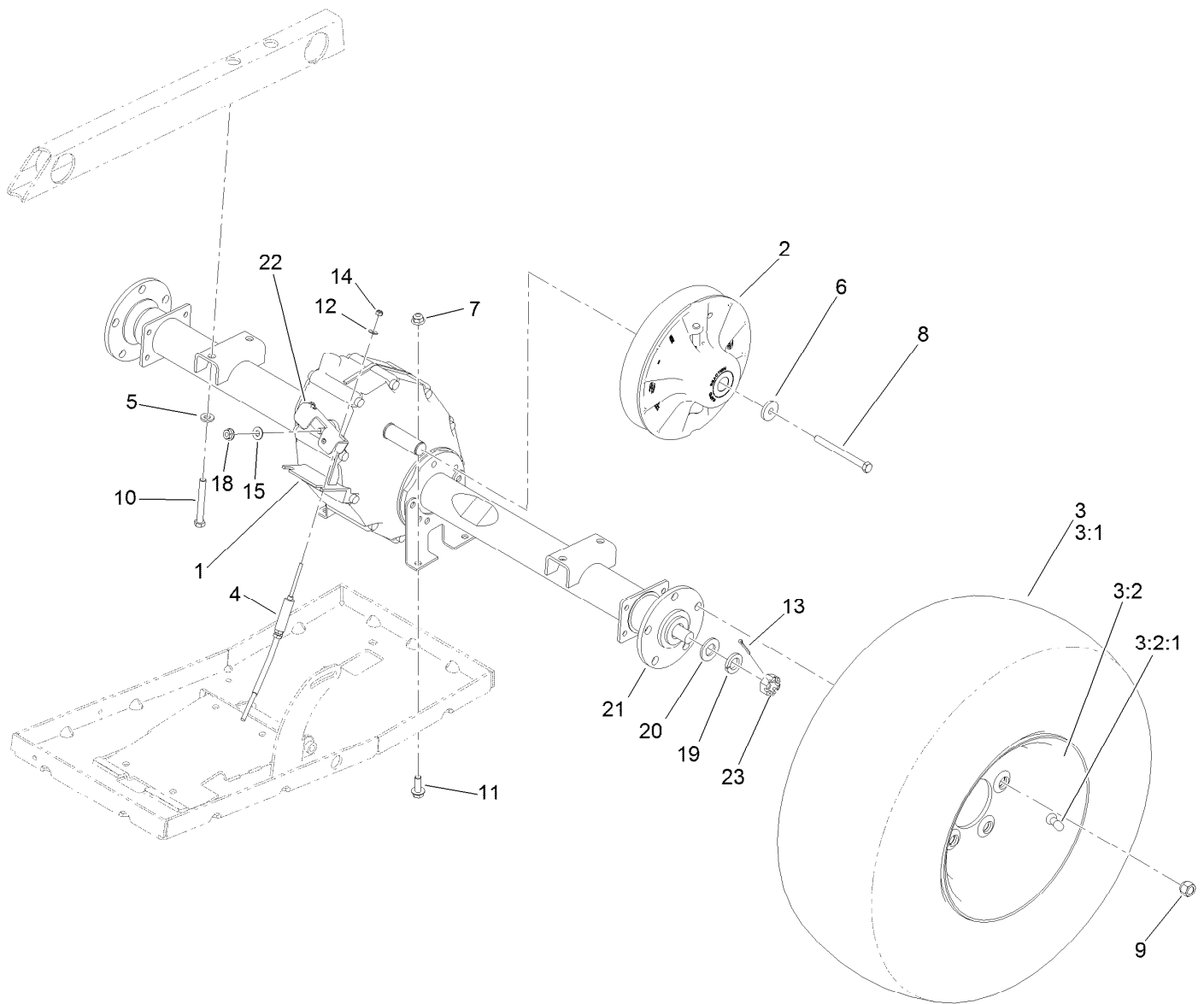
<i>Ref.</i>	<i>Part Number</i>	<i>Qty.</i>	<i>Description</i>
1	49-2040	7	Screw-HWHTF
2	119-0813	1	Pulley-Primary
5	119-0804	6	Weight-Roller
6	119-0812	1	Shim-Spider
8	119-0807	1	Shim-Limiter
10	119-0815	1	Shim-Spider
11	119-9532	1	Spring-Red/White



## Air Cleaner Assembly No. 99-7120

Ref.	Part Number	Qty.	Description
1		1	Body ●
2	108-3811	1	Filter-Air
3	94-3652	1	Cover ASM
3:1	1-643283	2	Latch-Cleaner, Air
4	87-9400	1	Valve-Vacuator
5		1	Plug ●
6		1	Marking ●

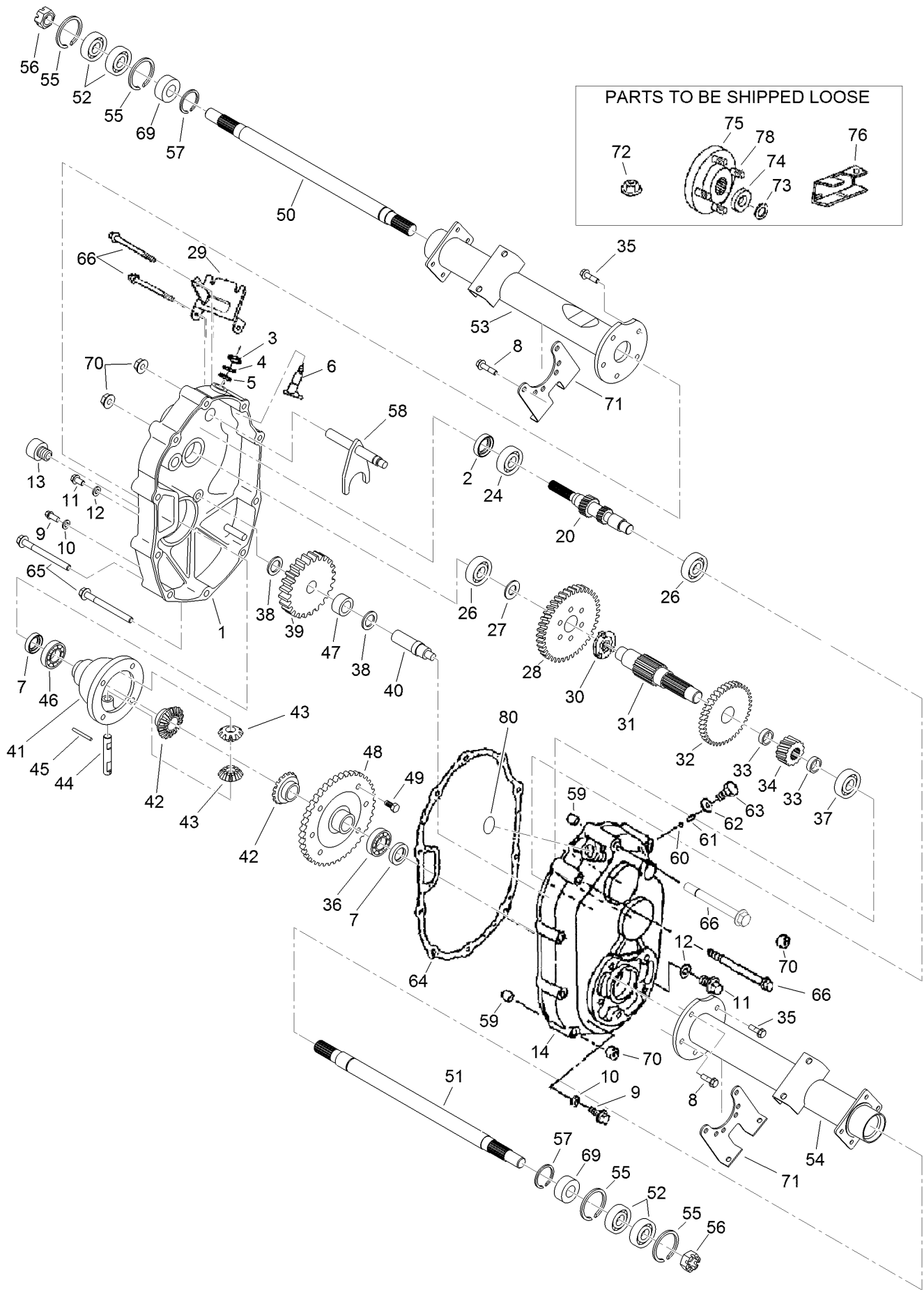
● Not serviced separately



## Rear Axle Drive System Assembly

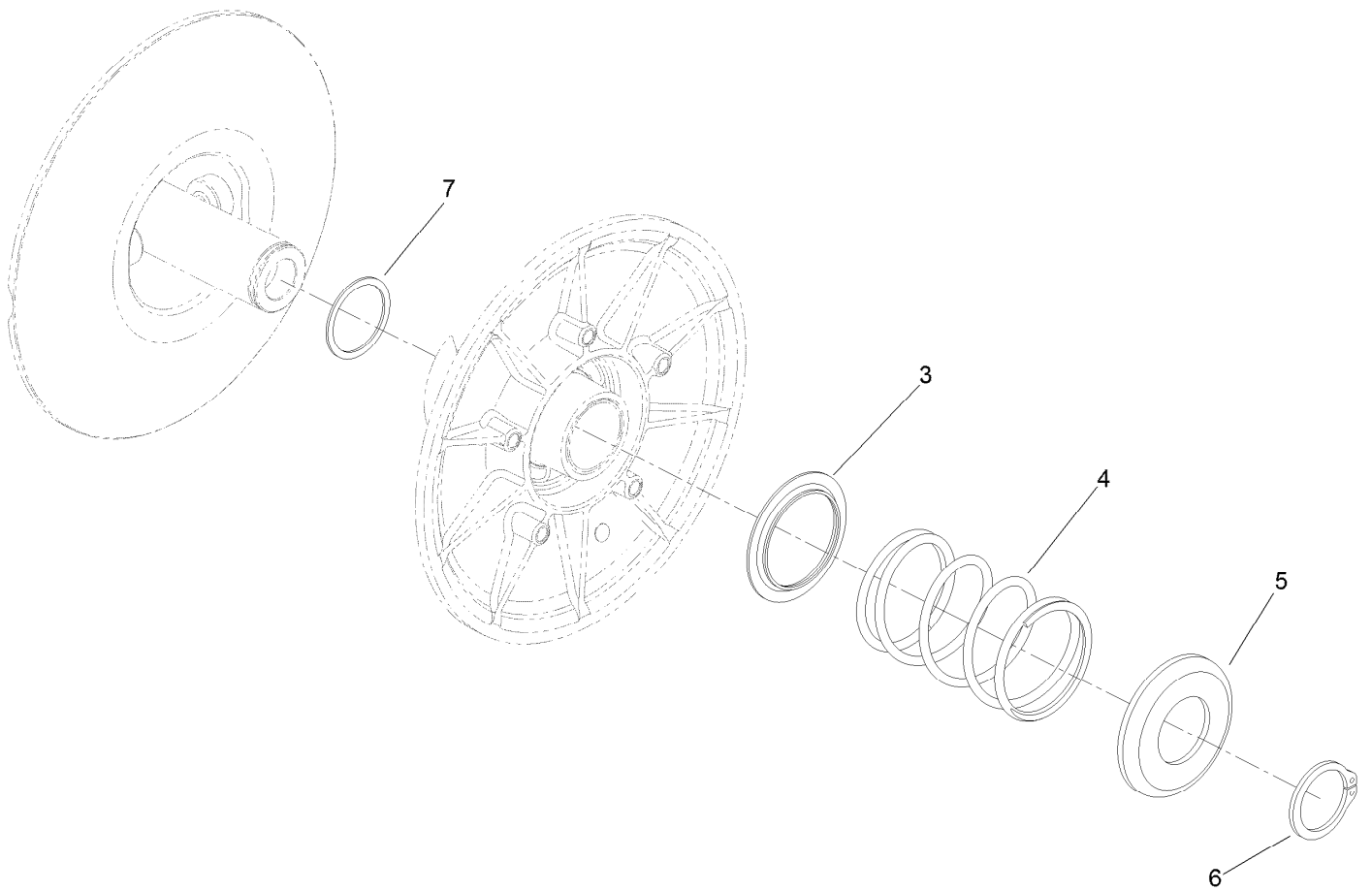
Ref.	Part Number	Qty.	Description	Ref.	Part Number	Qty.	Description
1	121-6339	1	Transaxle ASM	10	323-14	4	Screw-HH
2	119-6011	1	Secondary Clutch ASM	11	3234-11	4	Screw-HHF
3	127-7434	2	Tire/Wheel ASM	12	3256-49	2	Washer-Plain
3:1	127-7435	1	Tire (22 X 9.50-10) 4-Ply	13	3272-12	2	Pin-Cotter
3:2	127-7436	1	Wheel	14	3296-2	2	Nut-Lock, NI
3:2:1	232-27	1	Stem-Valve	15	87-8640	1	Washer-Flat
4	115-7679	2	Cable-Control, Tension	18	104-1672	1	Nut-Lock
5	100-4852	4	Washer-Hardened	19	104-1673	2	Washer-Spring
6	104-6563	1	Washer-Stepped	20	104-1674	2	Washer
7	104-8301	4	Nut-HF, NI	21	104-1675	2	Hub
8	119-0723	1	Screw-HH, Lock	22	112-3287	1	Lever-Select
9	242-50	10	Nut-Lug	23	104-1656	2	Nut-Castle

# Transaxle Assembly No. 121-6339



## Transaxle Assembly No. 121-6339 (continued)

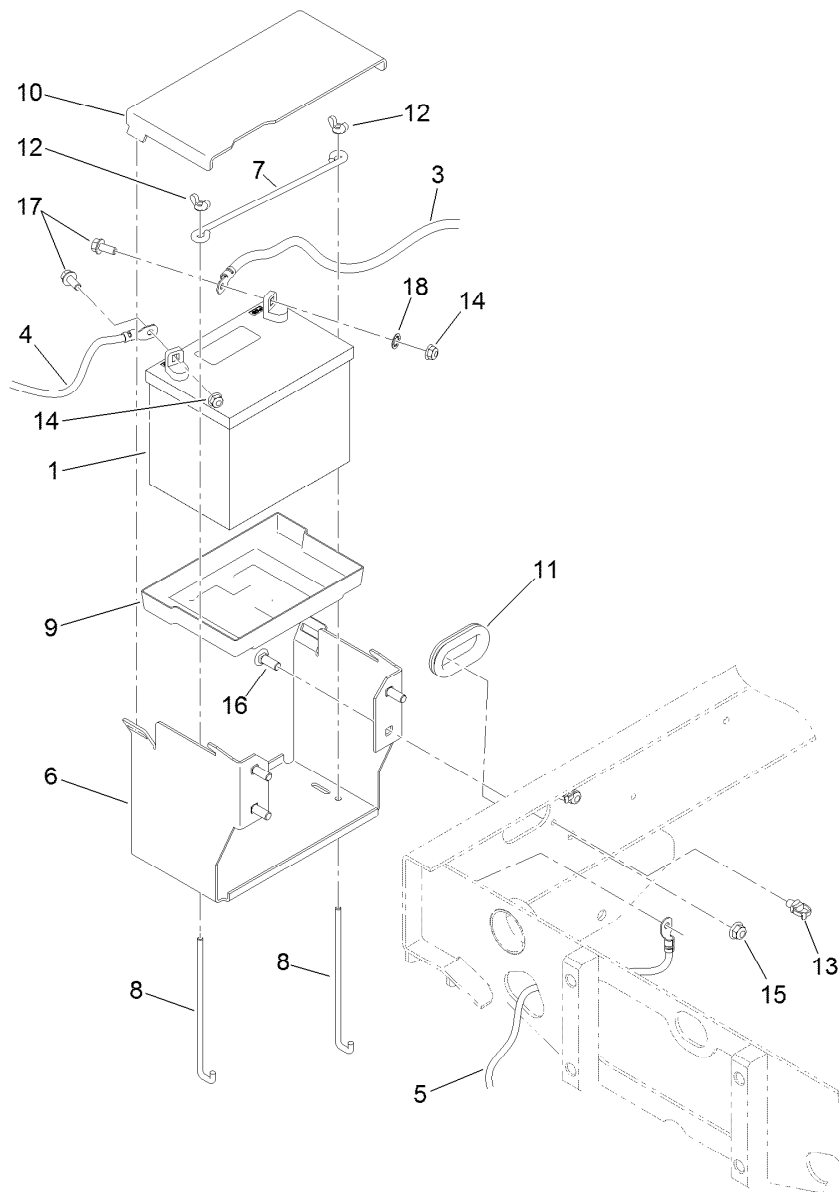
<i>Ref.</i>	<i>Part Number</i>	<i>Qty.</i>	<i>Description</i>	<i>Ref.</i>	<i>Part Number</i>	<i>Qty.</i>	<i>Description</i>
1	104-1601	1	Case-LH, Complete	44	104-1644	1	Shaft-Differential
2	104-1602	1	Seal-Oil	45	104-1645	1	Pin
3	104-1603	1	Seal-Oil	46	104-1646	1	Bearing-Ball
4	104-1604	1	Ring-Snap	47	104-1647	1	Bearing-Needle
5	104-1605	1	Spacer	48	104-1648	1	Gear
6	104-1606	1	Shaft-Selector	49	104-1649	6	Bolt
7	104-1607	2	Seal-Oil	50	104-1650	1	Shaft-Axle, LH
8	104-1608	4	Bolt-Flange	51	104-1651	1	Shaft-Axle, RH
9	104-1609	2	Plug-Check, Oil	52	104-1652	4	Bearing-Ball
10	104-1610	2	Gasket	53	104-1653	1	Case-Axle, LH
11	104-1611	2	Plug-Drain, Oil	54	104-1654	1	Case-Axle, RH
12	104-1612	2	Gasket	55	104-1655	4	Ring-Snap
13	104-1613	1	Plug-Filler, Oil	56	104-1656	2	Nut-Castle
14	104-1614	1	Case-Complete, RH	57	104-1657	2	Ring-Snap
20	104-7002	1	Shaft-Input, Complete	58	104-6870	1	Shaft-Shift, Complete
24	104-1624	1	Bearing-Ball	59	104-1659	2	Knock-Pipe
26	104-1626	2	Bearing-Ball	60	104-1660	1	Ball-Steel
27	104-1627	1	Spacer	61	104-1661	1	Spring
28	104-1628	1	Gear	62	104-1662	1	Gasket
29	115-7672	1	Bracket-Wire, Change	63	104-1663	1	Bolt
30	104-1630	1	Clutch-Pin	64	104-1664	1	Gasket
31	104-1631	1	Shaft-Center	65	104-1665	6	Bolt-Flange
32	104-1632	1	Gear	66	104-1666	4	Bolt-Flange
33	104-1633	2	Collar	69	104-6867	2	Collar
34	104-1634	1	Gear	70	33004-00	10	Nut-HF
35	104-1635	6	Bolt-Flange	71	104-1671	2	Bracket-Axle
36	104-1636	1	Bearing-Ball	72	104-1672	1	Nut-Lock
37	104-1637	1	Bearing-Ball	73	104-1673	2	Washer-Spring
38	104-1638	2	Spacer	74	104-1674	2	Washer
39	104-1639	1	Gear	75	104-1675	2	Hub
40	104-1640	1	Shaft-Counter	76	112-3287	1	Lever-Select
41	104-1641	1	Case-Differential	78	104-8649	10	Stud
42	104-1642	2	Gear-Side, Differential	80	121-9718	1	Cap-Seal
43	104-1643	2	Pinion-Differential				



## Secondary Clutch Assembly No. 119-6011

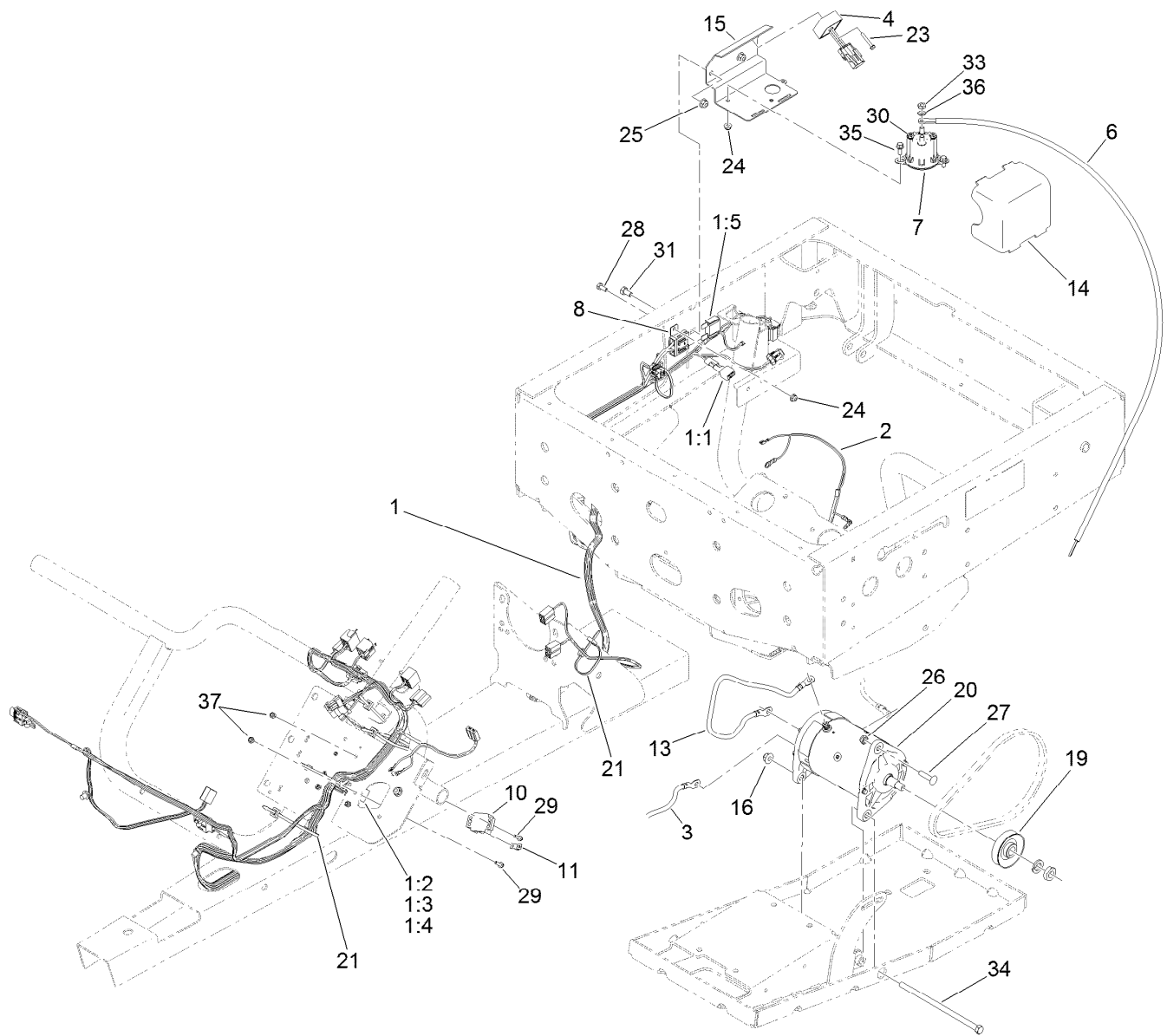
<i>Ref.</i>	<i>Part Number</i>	<i>Qty.</i>	<i>Description</i>
3	119-0809	1	Cup-Spring Retainer, Inner
4	119-9360	1	Spring-Compression, Black/Almond
5	119-0810	1	Cup-Spring Retainer, Outer
6	119-0811	1	Ring-Retaining
7	119-6018	1	Shim-Thrust





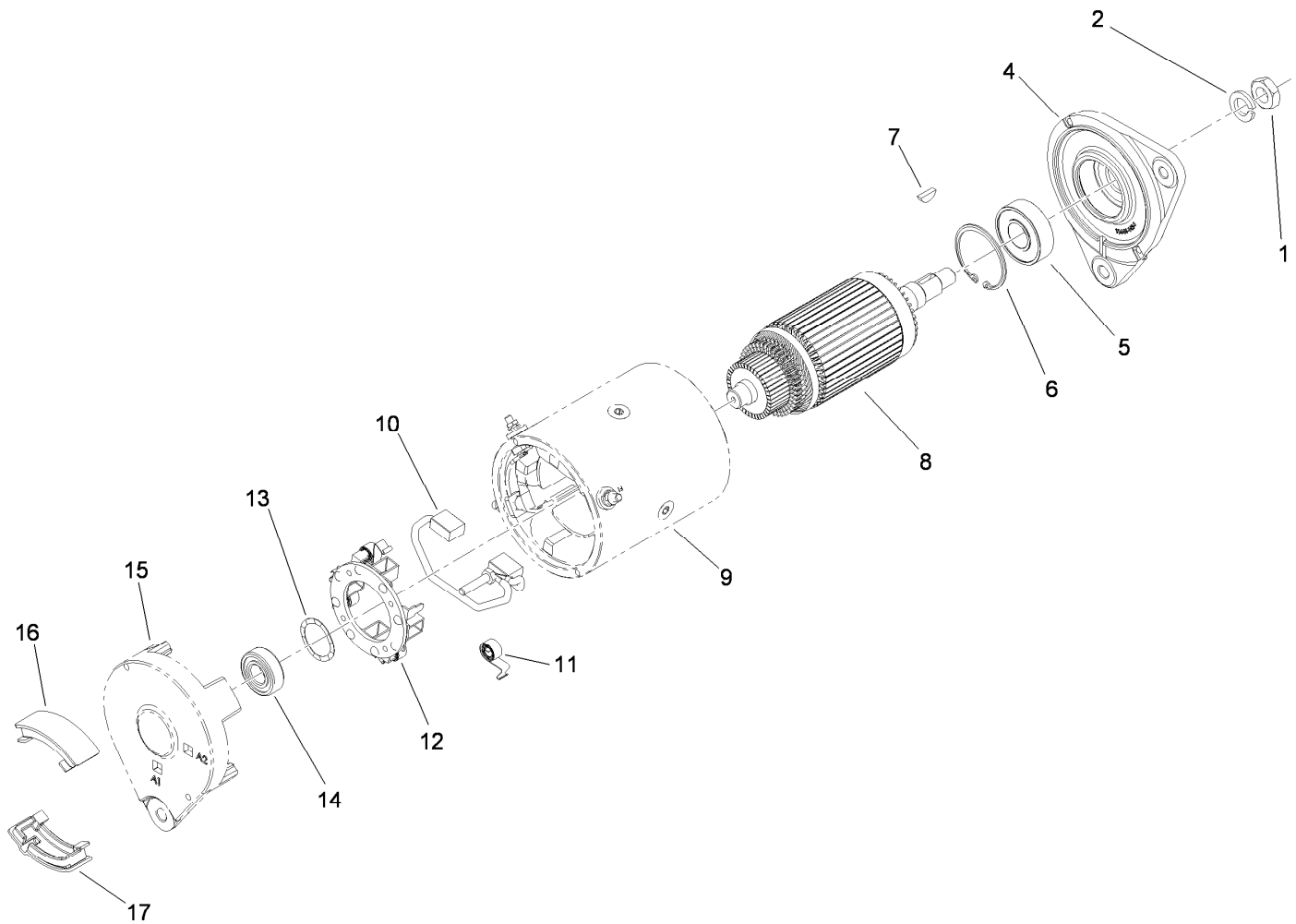
## Battery Assembly

<i>Ref.</i>	<i>Part Number</i>	<i>Qty.</i>	<i>Description</i>	<i>Ref.</i>	<i>Part Number</i>	<i>Qty.</i>	<i>Description</i>
1	104-8162	1	Battery	11	240-12	1	Grommet-Rubber
3	114-9404	1	Cable-Battery, Positive	12	32103-22	2	Nut-Wing
4	115-8107	1	Cable-Battery, Negative	13	32180-030	2	Clip-Tie
5	115-8108	1	Cable-Battery, Negative	14	104-8300	2	Nut-HF, NI
6	115-2302-03	1	Base-Battery	15	104-8301	4	Nut-HF, NI
7	100-6434	1	Rod-Hold Down, Battery	16	3231-22	4	Screw-CARR
8	100-6435	2	Post-Battery	17	3234-5	2	Screw-HHF
9	106948	1	Tray-Battery	18	3254-6	1	Washer-Lock, Internal
10	115-2394	1	Cover-Battery				



## Electrical Assembly

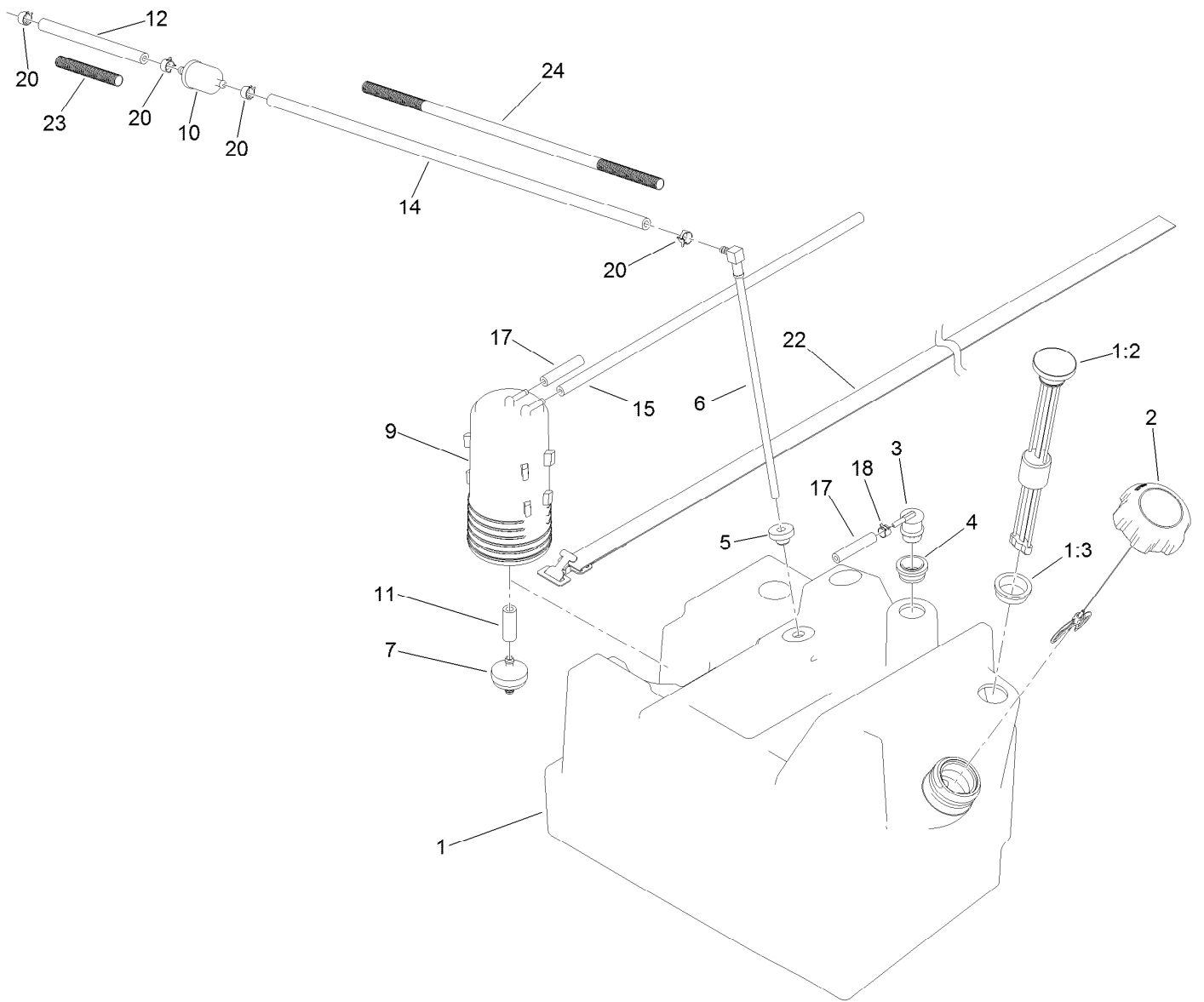
Ref.	Part Number	Qty.	Description	Ref.	Part Number	Qty.	Description
1	119-5774	1	Harness-Wire	19	121-6277	1	Pulley-Drive
1:1	100-4918	1	Diode	20	119-9545	1	Starter Generator ASM
1:2	218-578	1	Fuse-Blade, 10 Amp	21	3290-378	2	Tie-Cable
1:3	109355	1	Fuse-Blade, 15 Amp	23	100-4352	1	Screw-HWH
1:4	109101	1	Fuse-Blade, 20 Amp	24	104-7201	3	Nut-Flange, NI
1:5	114-3342	1	Fuse-Maxi, 60 Amp	25	104-8300	3	Nut-HF, NI
2	115-8125	1	Harness-Wire, Engine	26	3296-69	1	Nut-Lock, NI
3	100335	1	Wire-Ground	27	112-6950	1	Screw-CARR
4	119-9492	1	Regulator-Voltage	28	321-3	1	Screw-HH
6	112-3537	1	Cable-Battery, Positive	29	32105-13	6	Screw-HWH
7	114-3315	1	Solenoid	30	32149-8	2	Nut-Keps
8	114-5502	1	Clip-Fuse	31	322-2	2	Screw-HH
10	42862	1	Block-Terminal, Ground	33	3220-2	2	Nut-Jam
11	42863	1	Strip-Jumper	34	323-30	1	Screw-HH
13	99-7403	1	Cable-Negative	35	3234-33	2	Screw-HHF
14	112-3027	1	Cover-Controller	36	3255-8	2	Washer-Lock
15	119-0752-03	1	Mount-Component	37	3296-2	6	Nut-Lock, NI
16	104-8301	1	Nut-HF, NI				



## Starter Generator Assembly No. 119-9545

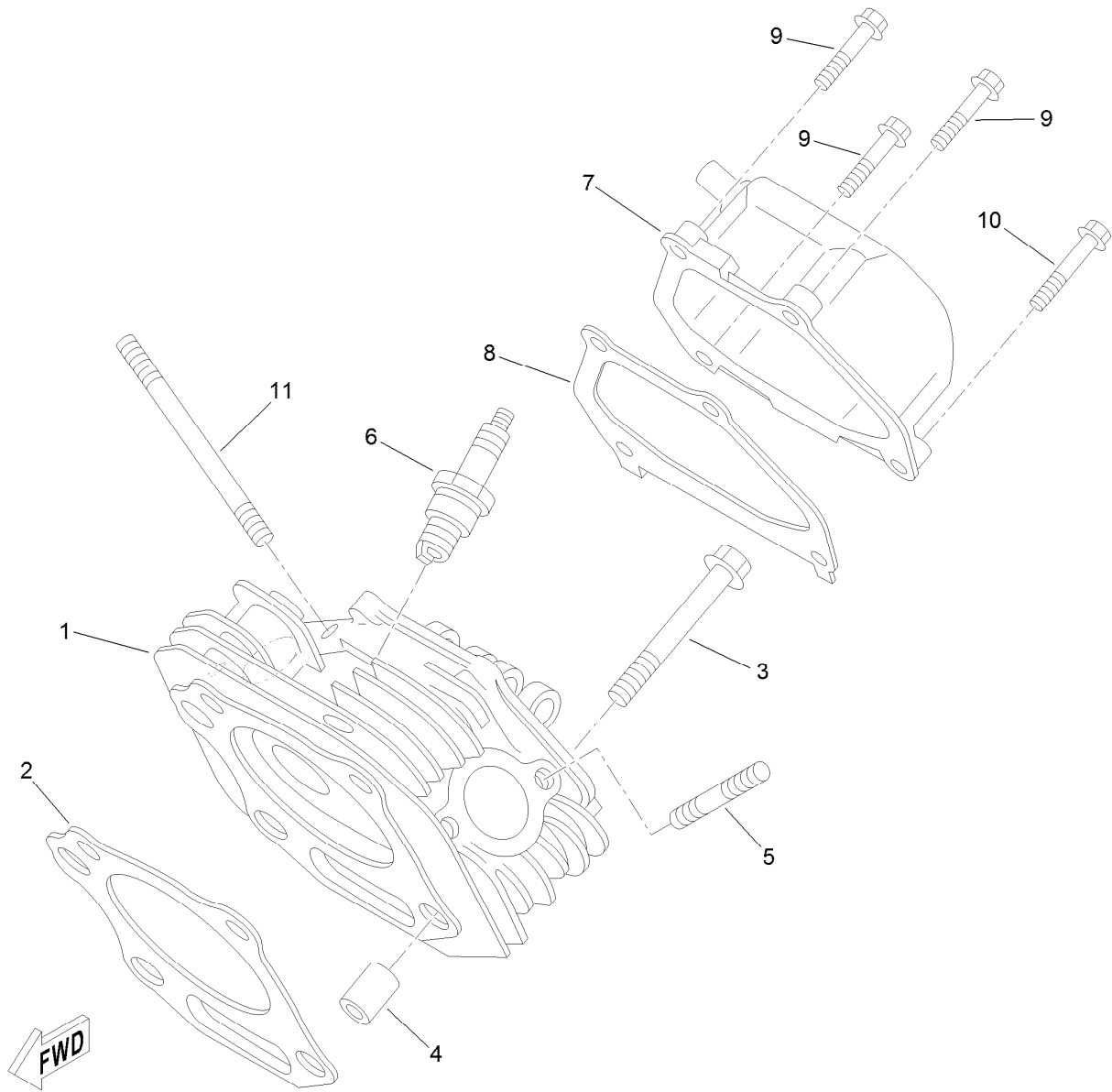
<i>Ref.</i>	<i>Part Number</i>	<i>Qty.</i>	<i>Description</i>	<i>Ref.</i>	<i>Part Number</i>	<i>Qty.</i>	<i>Description</i>
1	119-9651	1	Nut	10	119-9659	1	Brush Lead And Terminal Service Kit
2	119-9652	1	Washer-Lock	11	119-9660	4	Spring-Brush
4	119-9654	1	Head-End, Drive	12	119-9661	1	Brush Box ASM
5	119-9655	1	Bearing	13	119-9662	1	Washer-Wave
6	119-9656	1	Ring-Retaining	14	119-9663	1	Bearing
7	119-9657	1	Key-Woodruff	15		1	Head-End, Cummutator ●
8	119-9658	1	Armature ASM	16	119-9664	3	Plug-Rubber
9		1	Frame And Field Assembly ●	17	119-9665	1	Plug-Rubber

● Not serviced separately



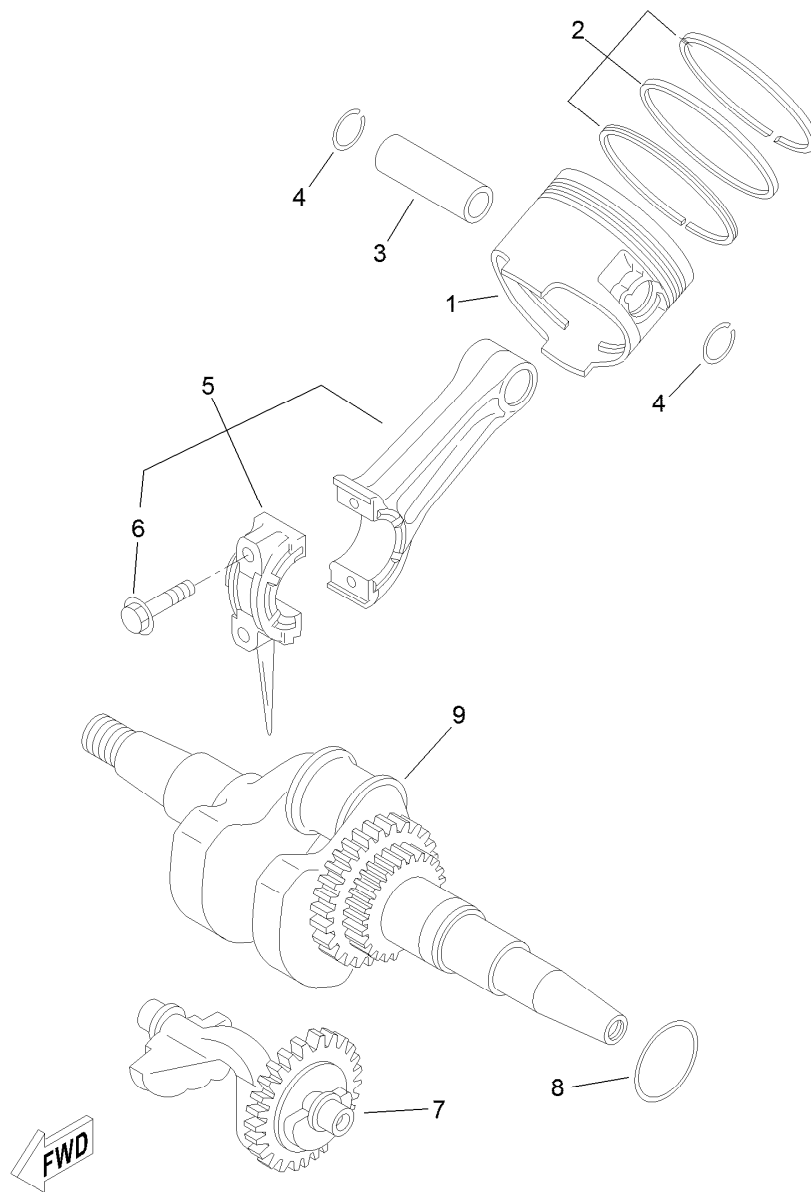
## Fuel Tank Assembly

Ref.	Part Number	Qty.	Description	Ref.	Part Number	Qty.	Description
1	121-9769	1	Fuel Tank ASM	11	106-5317	1	Hose-Fuel
1:2	99-7262	1	Gauge-Fuel	12	107-0588	1	Hose-Fuel
1:3	95-8972	1	Grommet	14	109-3491	1	Hose-Fuel
2	115-7788	1	Cap-Fuel	15	109-0273	1	Hose-Fuel
3	114-0285	1	Valve-Rollover	17	110-8751	1	Hose-Fuel
4	114-0284	1	Grommet	18	2412-146	1	Clamp-Hose
5	46-6560	1	Bushing	20	2412-98	4	Clamp-Hose
6	99-7264	1	Pipe-Stand	22	3339-175	1	Strapping-Web
7	115-7854	1	Filter-Fuel, Inline	23	99-7377	1	Conduit-Line, Fuel
9	117-1221	1	Canister-Carbon, 800Cc	24	99-7129	1	Conduit-Line, Fuel
10	94-2690	1	Filter-Fuel				



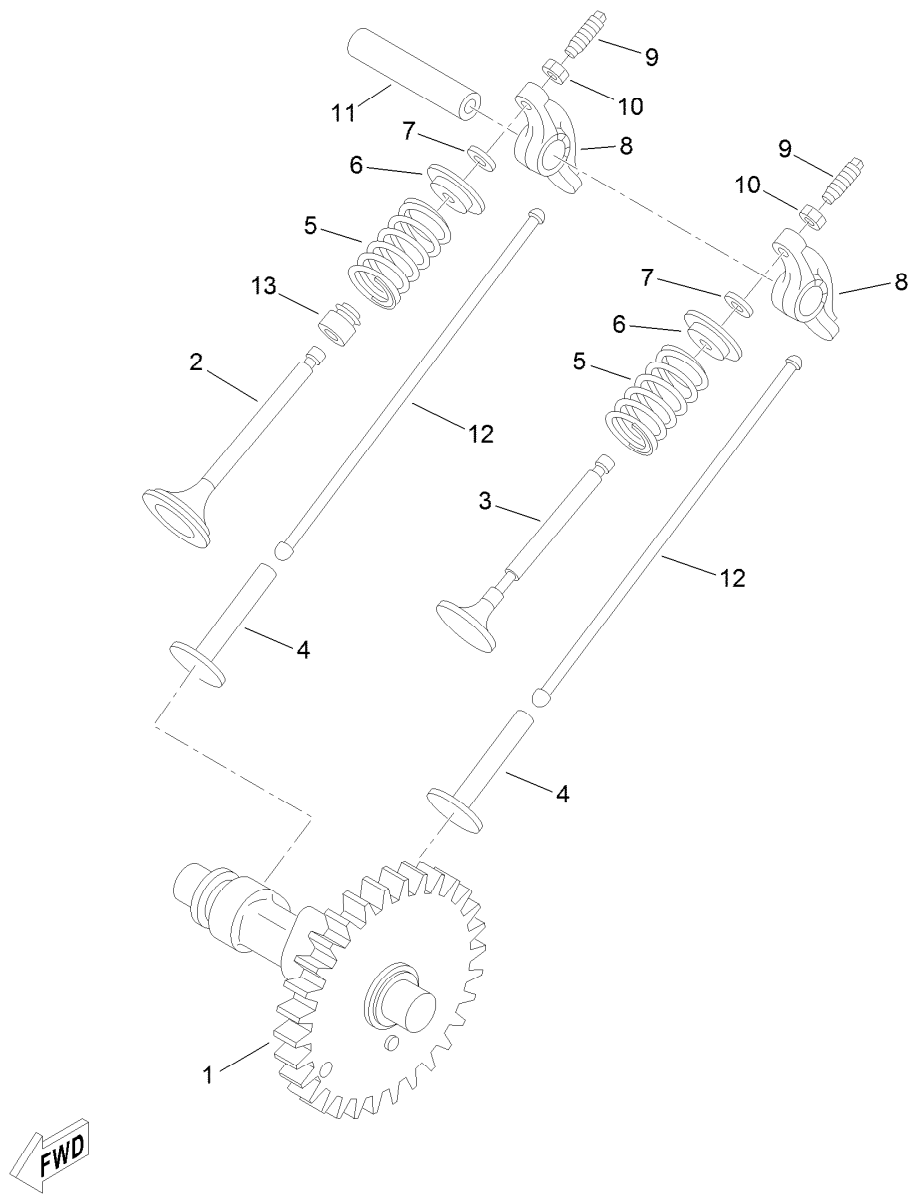
## Cylinder Head Assembly

<b>Ref.</b>	<b>Part Number</b>	<b>Qty.</b>	<b>Description</b>
1	120-5600	1	Head-Cylinder
2	120-5601	1	Gasket-Head, Cylinder
3	120-5602	4	Bolt-Flange
4	120-5603	2	Pin-Dowel
5	120-5604	2	Bolt-Stud
6	92-2153	1	Plug-Spark
7	120-5606	1	Cover-Head, Cylinder
8	120-5607	1	Gasket-Cover, Head
9	120-5608	3	Bolt-Flange
10	120-5609	1	Bolt-Flange
11	120-5610	2	Bolt-Stud



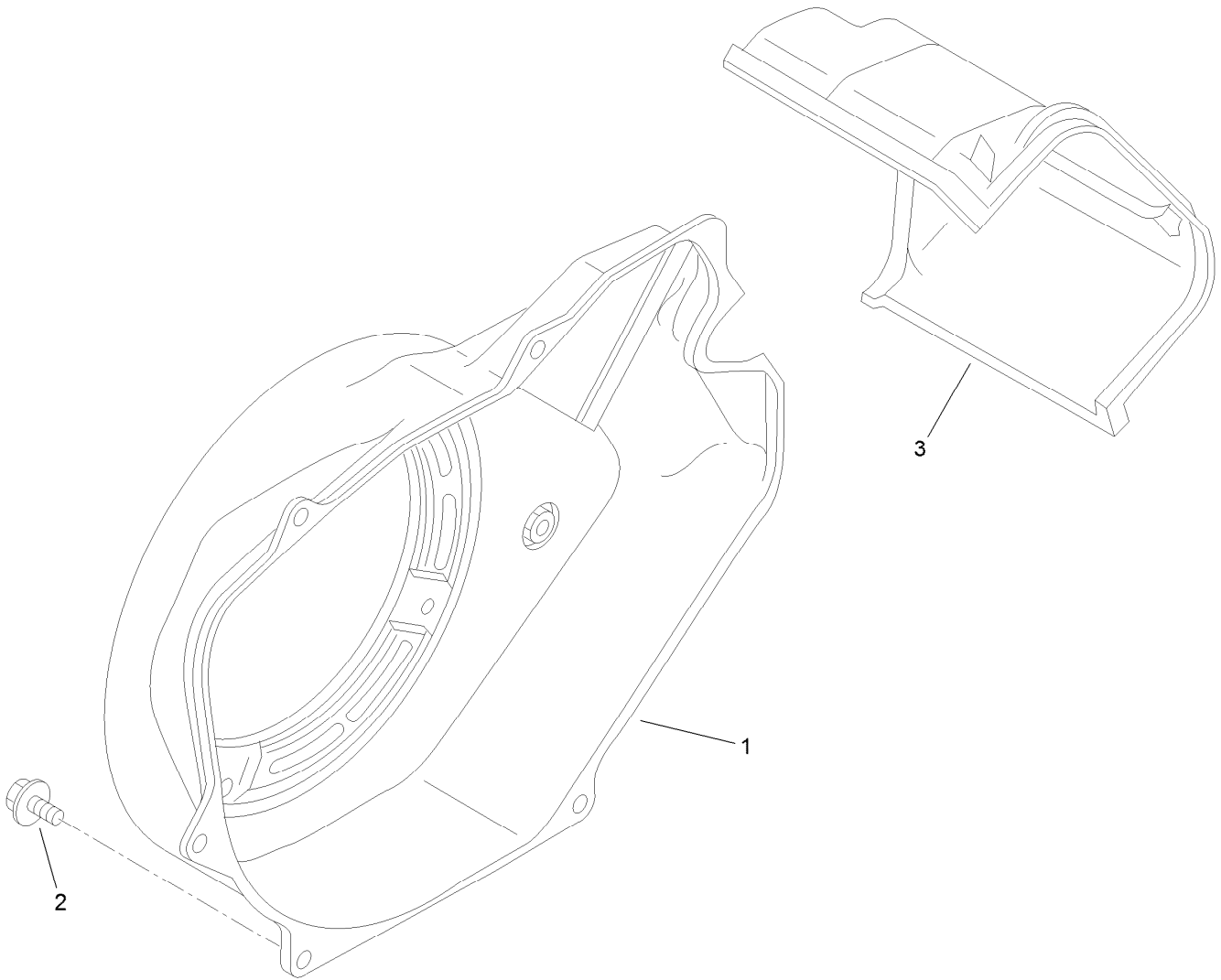
## Crankshaft and Piston Assembly

<i>Ref.</i>	<i>Part Number</i>	<i>Qty.</i>	<i>Description</i>
1	120-5612	1	Piston (STD)
1	120-5613	1	Piston (0.25Mm O/S)
1	120-5614	1	Piston (0.50Mm O/S)
2	120-5615	1	Piston Ring Set (STD)
2	120-5616	1	Piston Ring Set (0.25Mm O/S)
2	120-5617	1	Piston Ring Set (0.50Mm O/S)
3	120-5618	1	Pin-Piston
4	127-6151	2	Circlip
5	120-5620	1	Connecting Rod ASM
6	120-5621	2	Bolt- Rod, Connecting
7	120-5622	1	Weight
8	120-5623	1	Shim-Crank
9	120-5611	1	Crankshaft ASM



## Camshaft and Valve Assembly

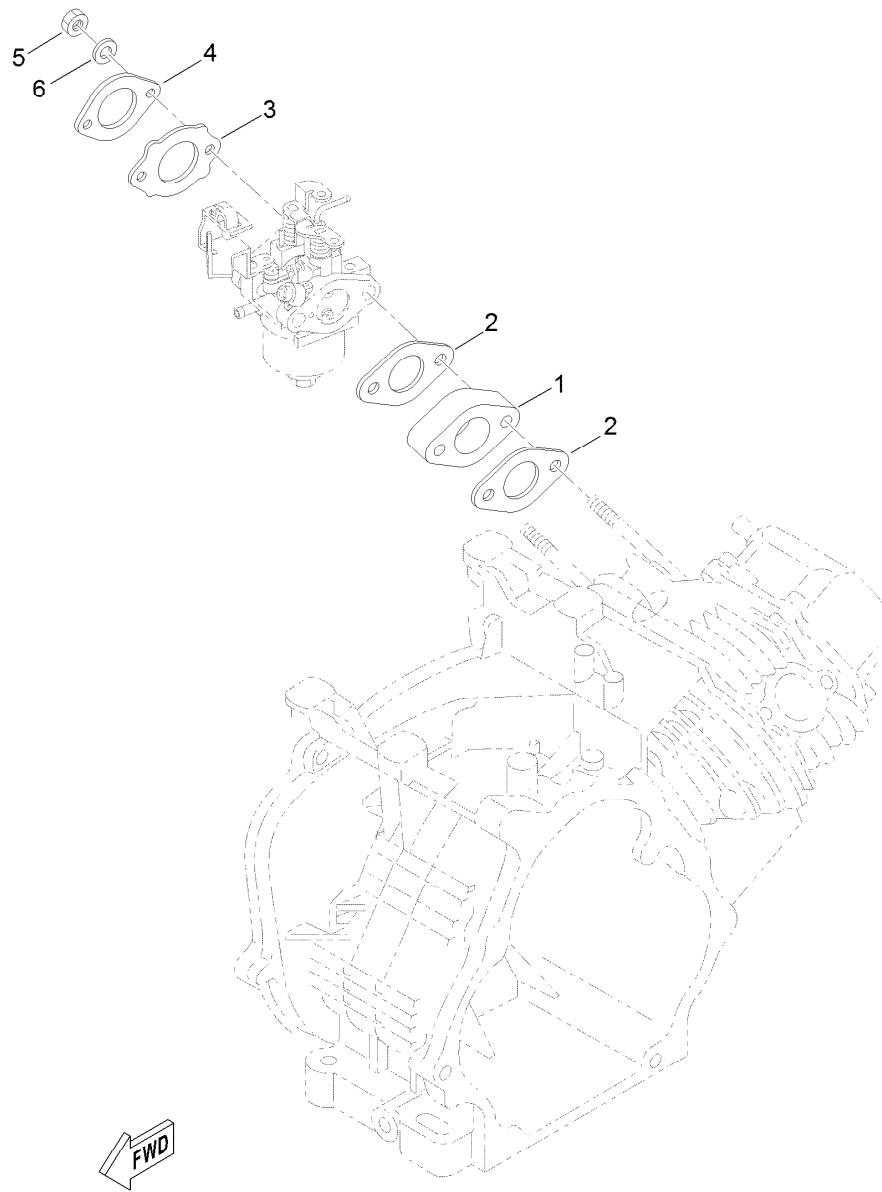
Ref.	Part Number	Qty.	Description
1	120-5624	1	Camshaft ASM
2	120-5626	1	Valve-Intake
3	120-5627	1	Valve-Exhaust
4	120-5628	2	Lifter-Valve
5	120-5629	2	Spring-Compression
6	120-5630	2	Retainer-Spring, Valve
7	120-5631	2	Cotter-Valve
8	120-5632	2	Arm-Rocker, Valve
9	120-5633	2	Screw-Adjusting, Valve
10	120-5634	2	Nut
11	120-5635	1	Shaft-Rocker
12	120-5636	2	Rod-Push, Valve
13	120-5637	1	Seal-Stem, Valve



## Starter Air Shroud Assembly

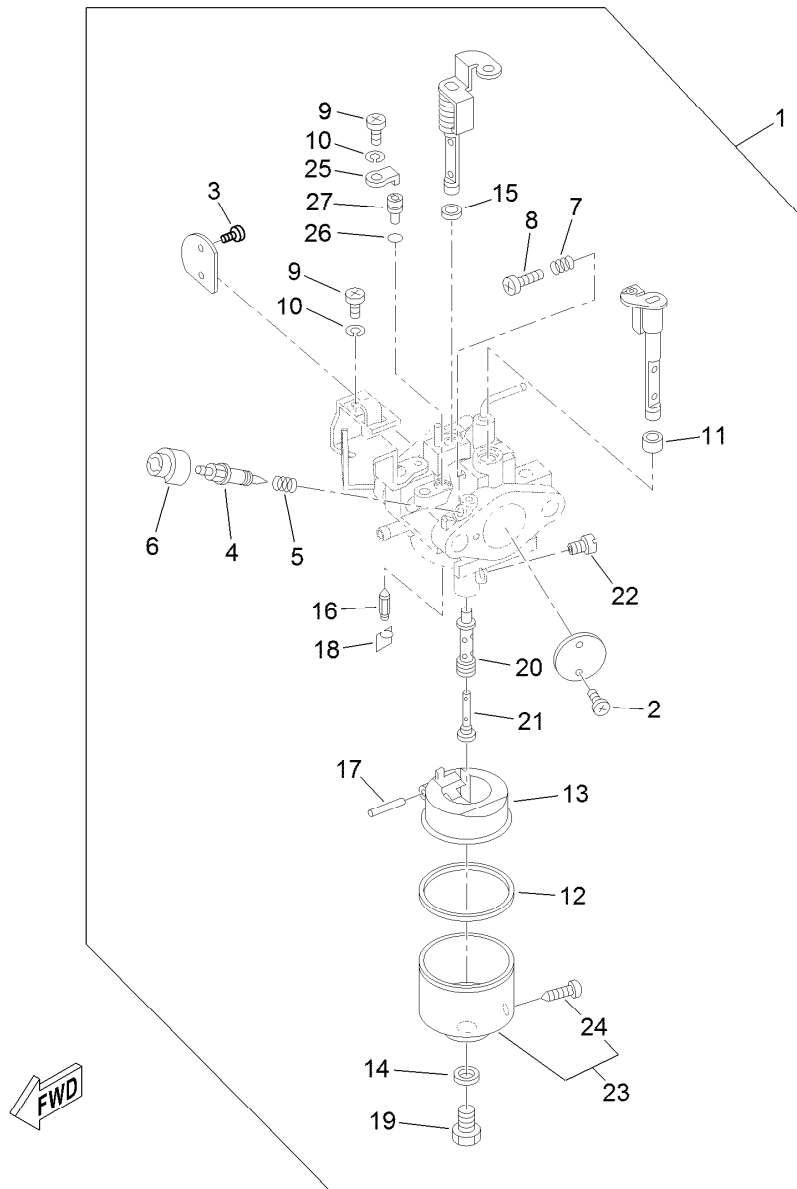
<i>Ref.</i>	<i>Part Number</i>	<i>Qty.</i>	<i>Description</i>
1	120-5638	1	Case-Fan
2	120-5639	5	Bolt-Flange
3	120-5640	1	Shroud-Air, Cylinder





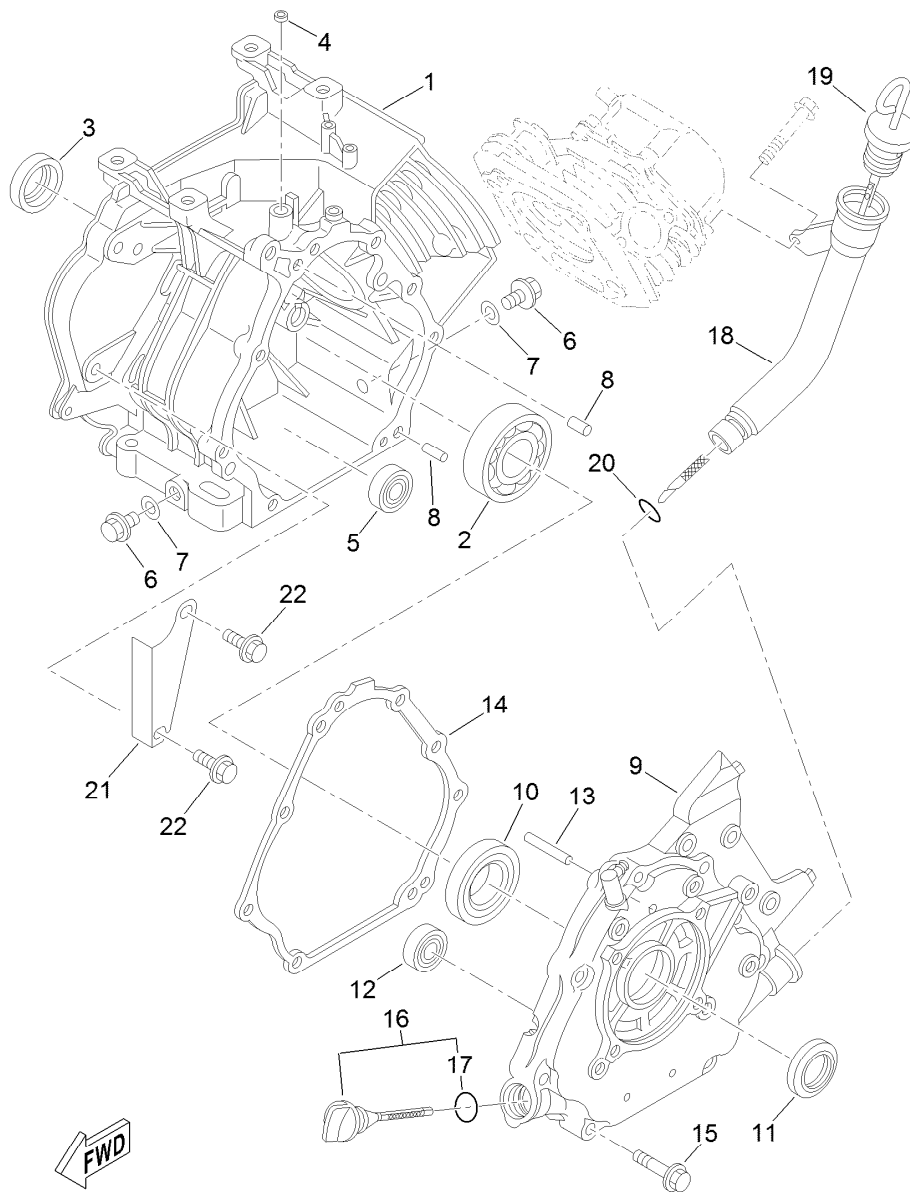
## Air Intake Assembly

<i>Ref.</i>	<i>Part Number</i>	<i>Qty.</i>	<i>Description</i>
1	120-5641	1	Joint-Carburetor
2	120-5642	2	Gasket
3	120-5643	1	Gasket
4	120-5644	1	Plate
5	119-9540	2	Nut-Hex, M8
6	120-5646	2	Washer-Spring



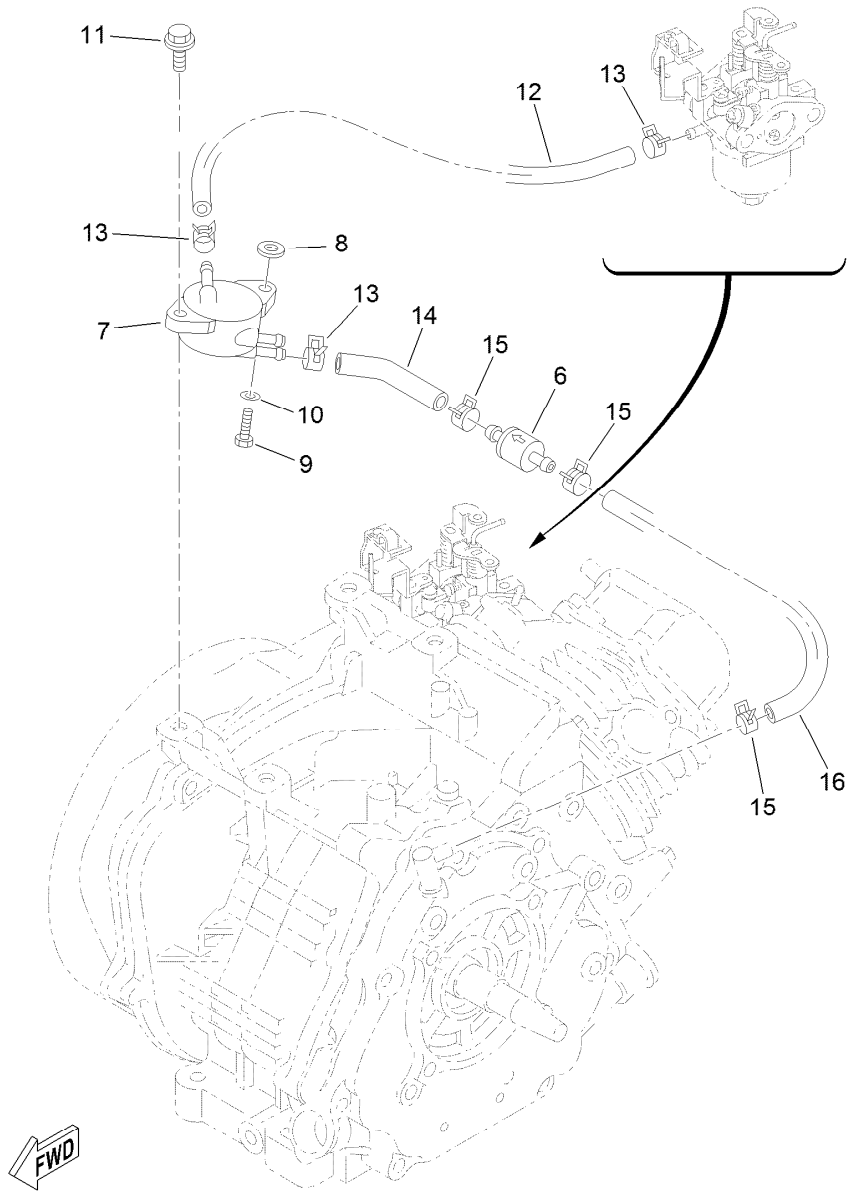
## Carburetor Assembly

<i>Ref.</i>	<i>Part Number</i>	<i>Qty.</i>	<i>Description</i>	<i>Ref.</i>	<i>Part Number</i>	<i>Qty.</i>	<i>Description</i>
1	127-6150	1	No. 1 Carburetor ASM	15	120-5661	1	Seal
2	120-5648	2	Screw	16	127-6165	1	Needle ASM
3	120-5649	2	Screw-Rod	17	120-5663	1	Pin-Float
4	120-5650	1	Screw-Adjusting, Pilot	18	120-5664	1	Clip
5	120-5651	1	Spring	19	120-5665	1	Bolt-Holding
6	120-5652	1	Cap	20	120-5666	1	Nozzle-Main
7	120-5653	1	Spring	21	120-5667	1	Pipe-Bleed, Main
8	120-5654	1	Screw-Throttle	22	120-5668	1	Jet-Main (115)
9	120-5655	2	Screw-SPH	23	127-6172	1	Body-Float, Chamber 1
10	120-5656	2	Washer-Spring	24	120-5669	1	Plug-Drain
11	120-5657	1	Washer	25	120-5670	1	Plate
12	127-6161	1	Seal	26	120-5671	1	O-Ring
13	120-5659	1	Float	27	120-5672	1	Jet-Pilot (53.8)
14	120-5660	1	Gasket				



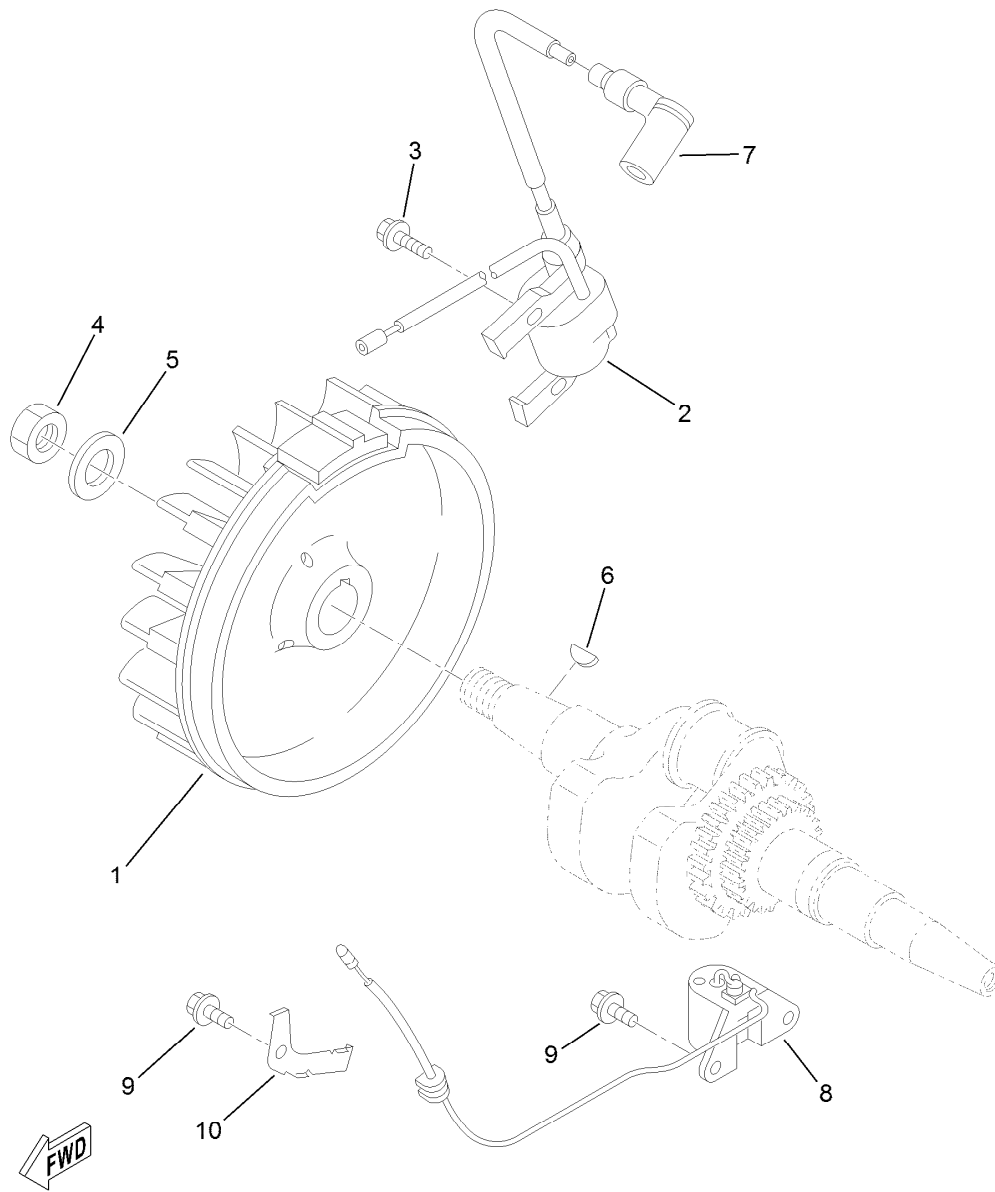
## Crankcase Assembly

<i>Ref.</i>	<i>Part Number</i>	<i>Qty.</i>	<i>Description</i>	<i>Ref.</i>	<i>Part Number</i>	<i>Qty.</i>	<i>Description</i>
1	120-5673	1	Crankcase	12	127-6166	1	Bearing
2	120-5674	1	Bearing	13	120-5677	1	Shaft-Flyweight
3	120-5675	1	Seal-Oil	14	120-5686	1	Gasket-Cover, Crankcase
4	127-6176	1	Seal-Oil	15	120-5687	6	Bolt-Flange
5	127-6166	2	Bearing	16	127-6157	1	Plug-Oil Level
6	120-5678	2	Plug-Screw, Straight	17	120-5691	1	O-Ring
7	120-5679	2	Gasket	18	120-5689	1	Pipe-Oil
8	120-5680	2	Pin-Dowel	19	120-5690	1	Gauge-Level
9	127-6163	1	Crankcase Cover ASM	20	120-5692	1	O-Ring
10	120-5682	1	Bearing	21	120-5693	1	Plate-Baffle
11	120-5675	1	Seal-Oil	22	120-5694	2	Bolt-Flange



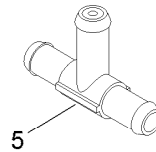
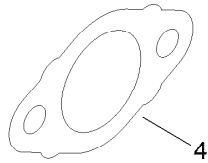
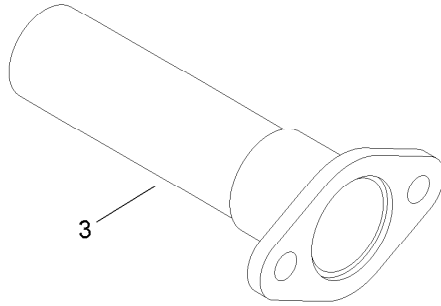
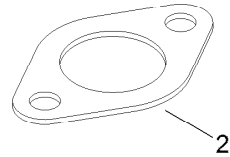
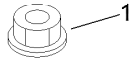
## Fuel Pump Assembly

Ref.	Part Number	Qty.	Description
6	120-5696	1	Filter ASM
7	127-6171	1	Fuel Pump ASM
8	120-5698	2	Gasket
9	120-5700	2	Bolt
10	120-5701	2	Washer-Plate
11	120-5695	2	Bolt-Flange
12	127-6156	1	Pipe-Fuel
13	120-5703	3	Clip
14	127-6160	1	Pipe-Breather
15	120-5705	3	Clip
16	127-6170	1	Hose



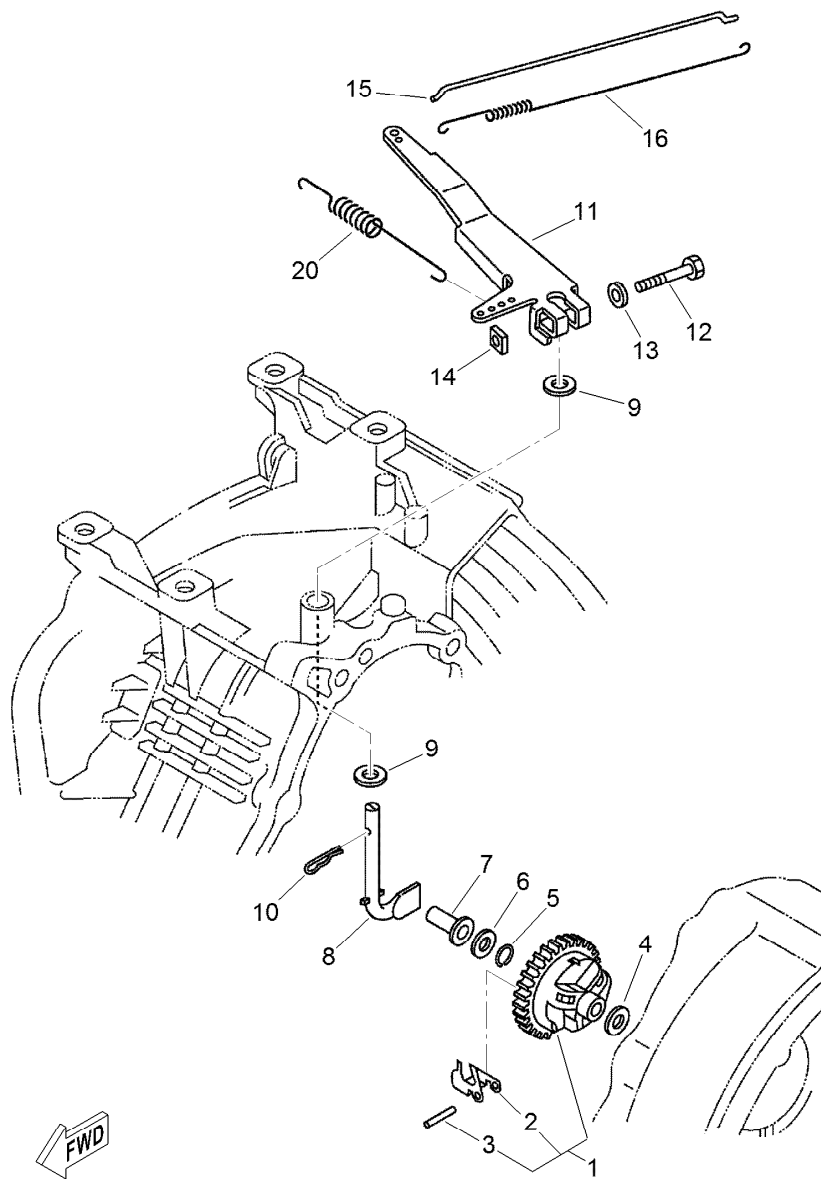
## Magneto Assembly

Ref.	Part Number	Qty.	Description
1	120-5707	1	Rotor ASM
2	127-6175	1	T.C.I. Unit ASM
3	120-5709	2	Bolt-Flange
4	120-5710	1	Nut
5	120-5711	1	Washer-Plate
6	120-5712	1	Key-Woodruff
7	120-5713	1	Plug Cap ASM
8	120-5714	1	Oil Level Gauge ASM
9	120-5715	3	Bolt-Flange
10	120-5716	1	Clamp



## Miscellaneous Engine Parts

<i>Ref.</i>	<i>Part Number</i>	<i>Qty.</i>	<i>Description</i>
1	119-9540	2	Nut-Hex, M8
2	119-9541	2	Gasket-Exhaust
3	119-9542	1	Tube-Intake
4	119-9543	1	Gasket-Intake
5	119-9544	1	Tee-Emission, Evaporative



## Governor Assembly

Ref.	Part Number	Qty.	Description	Ref.	Part Number	Qty.	Description
1	127-6177	1	Flyweight Shaft ASM	10	127-6186	1	Clip
2	127-6178	1	Weight	11	127-6187	1	Arm-Governor
3	127-6179	1	Shaft-Weight	12	127-6188	1	Bolt-Hexagon
4	127-6180	1	Washer-Plate	13	127-6189	1	Washer-Plate
5	127-6181	1	Circlip	14	127-6190	1	Nut-Square
6	127-6182	1	Washer-Plate	15	127-6191	1	Rod-Link
7	127-6183	1	Collar	16	127-6192	1	Spring-Tension
8	127-6184	1	Fork-Governor	20	127-6193	1	Spring-Governor
9	127-6185	1	Washer-Plate				

# Attachments and Accessories

## For 07266TC Workman MD Utility Vehicle

<b>Product Name</b>	<b>Model/Part</b>
Roll-Over Protection System .....	07276
Receiver Hitch Kit .....	07278
Canopy Kit .....	07324
Solid Windshield Kit .....	07325
Folding Windshield Kit .....	07326
Snow Plow .....	07327
Hard Cab .....	07328
Heavy-Duty Bumper Kit .....	07329
Heavy-Duty Brush Guard and Bumper Kit .....	07338
Sliding Window Door Kit .....	07352
Fixed Window Door Kit .....	07353
Electric Bed Lift Kit, 2014 and After Workman MD/MDX/MDX-D Utility Vehicle .....	07389
Wheel-5 Bolt .....	104-6889
Tire-AT 489, 24x10.5-10 .....	104-7061
Tire-AT 489, 22x9.5-10 .....	104-7062
Lift Wire Harness Kit .....	115-7823
Backup Alarm Kit .....	115-7824
Horn Kit .....	115-7825
Replacement Front Spring Kit .....	117-4847
Tire And Wheel Asm .....	119-0751
Tapered Nozzle Kit .....	119-6280
Rectangular Nozzle Kit .....	119-6281
Nozzle-Extension, Straight .....	119-6282
Nozzle-Extension, Tapered .....	119-6283
Nozzle-Extension, Rectangular .....	119-6284
Side Mirror Kit .....	119-9546
Stake Pocket Adapter Kit, 2011 and After Workman MD Series Utility Vehicle .....	119-9604
Tie-Down Kit, 2011 and After Workman MD Series Utility Vehicle .....	119-9605
Battery Kit .....	119-9680
Road Light and Homologation Kit .....	120-5031
Brake and Signal Light Kit .....	120-5044
Key Start Kit .....	121-6338
Cargo Bed Installation Kit with Manual Dump, 2011 to 2013 Workman MD Series Utility Vehicle .....	127-7385
Cargo Bed Installation Kit with Electric Lift, 2011 to 2013 Workman MD Series Utility Vehicle .....	127-7386
Cargo Bed Installation Kit with Manual Dump, 2010 and Before Workman MD Series Utility Vehicle .....	131-3457
Pro Force Debris Blower .....	44538
Road-Ready Pro Force Debris Blower .....	44539
Bed Mount Kit, Pro Force Debris Blower .....	44543
Bed Mount Sound Barrier Kit, Pro Force Debris Blower .....	44546
Spark Arrestor Screen .....	94-8157



**Notes:**

**Notes:**

**Notes:**



**Count on it.**