



Count on it.

Parts Catalog

Stand-On E-Spreader/Sprayer

Model No. 34230—Serial No. 408787721 and Up



Ordering Replacement Parts

To order replacement parts, please supply the part number, the quantity, and the description of each part desired.

Understanding Reference Numbers

Each identified part in an illustration has a reference number. The reference number for a part also appears in the parts list, along with other information about the part.

This catalog uses two special reference number formats, one to indicate parts in a service assembly and another to indicate the quantity of a given part in an illustration.

Service Assembly Reference Numbers

Parts in service assemblies have reference numbers in the form a:b. The a represents the reference number of the entire service assembly and the b represents a sequential number unique to each part within the service assembly.

For example, a wheel assembly might be identified by reference number 6, the tire by 6:1, the valve by 6:2, and the wheel by 6:3. When you order the assembly identified by reference number 6, you receive all parts identified by reference numbers 6:1, 6:2, and 6:3. However, you may also order any part individually. Reference numbers of this type appear in illustration and in parts lists.

Reference Numbers Indicating Quantity

In an illustration, if a reference number indicates more than one part, the reference number has the form nX y. The n represents the quantity of the part, the X is the multiplication symbol, and the y represents the reference number.

For example, in an illustration, the reference number 2X 37 means that two of the parts identified by reference number 37 are indicated.

Contents

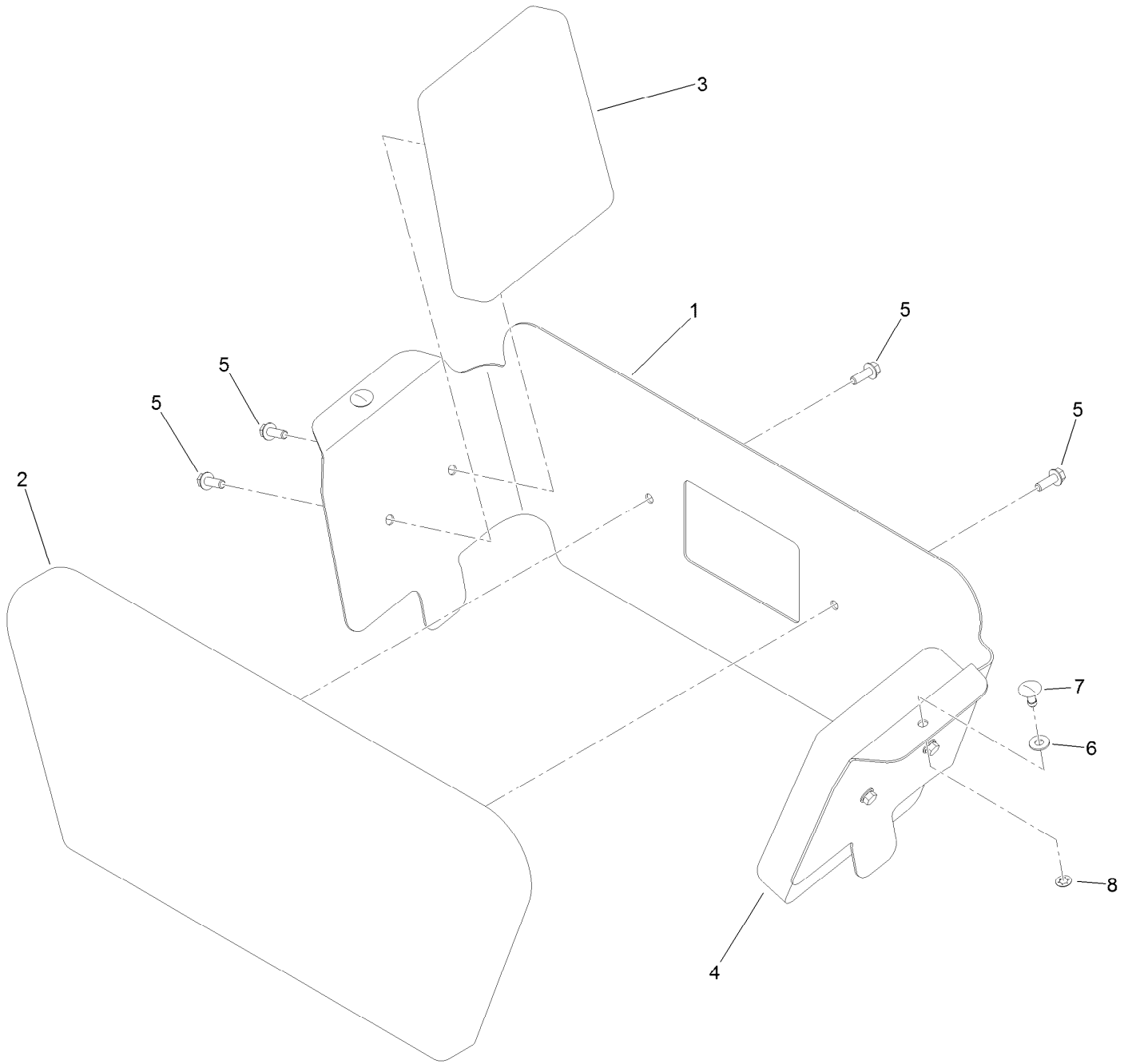
Frame Assembly	4
Knee Pad Assembly	6
Steering Assembly	8
Steering Linkage Assembly No. 126-7185	10
Ground Drive Assembly	12
Transaxle Cover Assembly No. 126-1462	14
Engine Assembly	16
Electrical Assembly	18
Spray System Assembly	20
Sprayer Tank Assembly No. 126-0286	22
Strainer Assembly No. 126-4358	24
Control Valve Manifold and Hose Assembly	26
Control Valve Manifold Assembly No. 135-6362	28
Left Nozzle Assembly No. 126-3667	30
Right Nozzle Assembly No. 126-3669	32
Center Nozzle Assembly No. 126-3668	34
Spreader Assembly	36
Spreader Hopper Assembly	38
Side Deflector Assembly	40

Frame Assembly (continued)

<i>Ref.</i>	<i>Part Number</i>	<i>Qty.</i>	<i>Description</i>	<i>Ref.</i>	<i>Part Number</i>	<i>Qty.</i>	<i>Description</i>
1	142-2788	1	Frame ASM	8	126-0695	8	Screw-CARR
1:2	126-3008	2	Bearing-Flanged	9	135-2881	12	Nut-HF
1:3	126-3002	2	Bearing-Flanged	10	114-1925	2	Bumper-Rubber
1:4	126-4994	1	Decal-Down, Tie	11	114-1926	2	Bumper-Rubber
2	142-2217	1	Control Tower ASM	12	126-0435	1	Operator Platform ASM
2:2	135-7247	1	Decal-Control	13	126-0434	2	Bushing-Pivot, Platform
2:3	126-5186	1	Decal-Service Aid	14	126-0702	2	Screw-CARR
2:4	126-5060	2	Decal-Logo, Toro	15	114-5348	1	Spring
2:5	126-7216	1	Access Panel W/ Decal	16	119-8650	1	Pin-Latch
2:5:1	126-6402-01	1	Panel-Access	17	1-603175	1	Knob-Ball
2:5:2	126-7225	1	Decal-Toro	18	126-1234-03	1	Mount-Pad, Knee
2:6	32144-10	3	Screw-HWH	19	119-1730	2	Receptacle-Clip, Mini
3	126-3875	4	Washer	20		1	Knee Pad ASM ●
4	126-2661	4	Screw-HH	21	126-2567	1	Shield-Dust
5	135-2882	6	Nut-HF	22	237-164	2	Grommet
6	32144-10	2	Screw-HWH	23	240-5	2	Grommet
7	126-1415	1	Guard-Lower	26	126-5147	2	Plug-Tube

● Not serviced separately

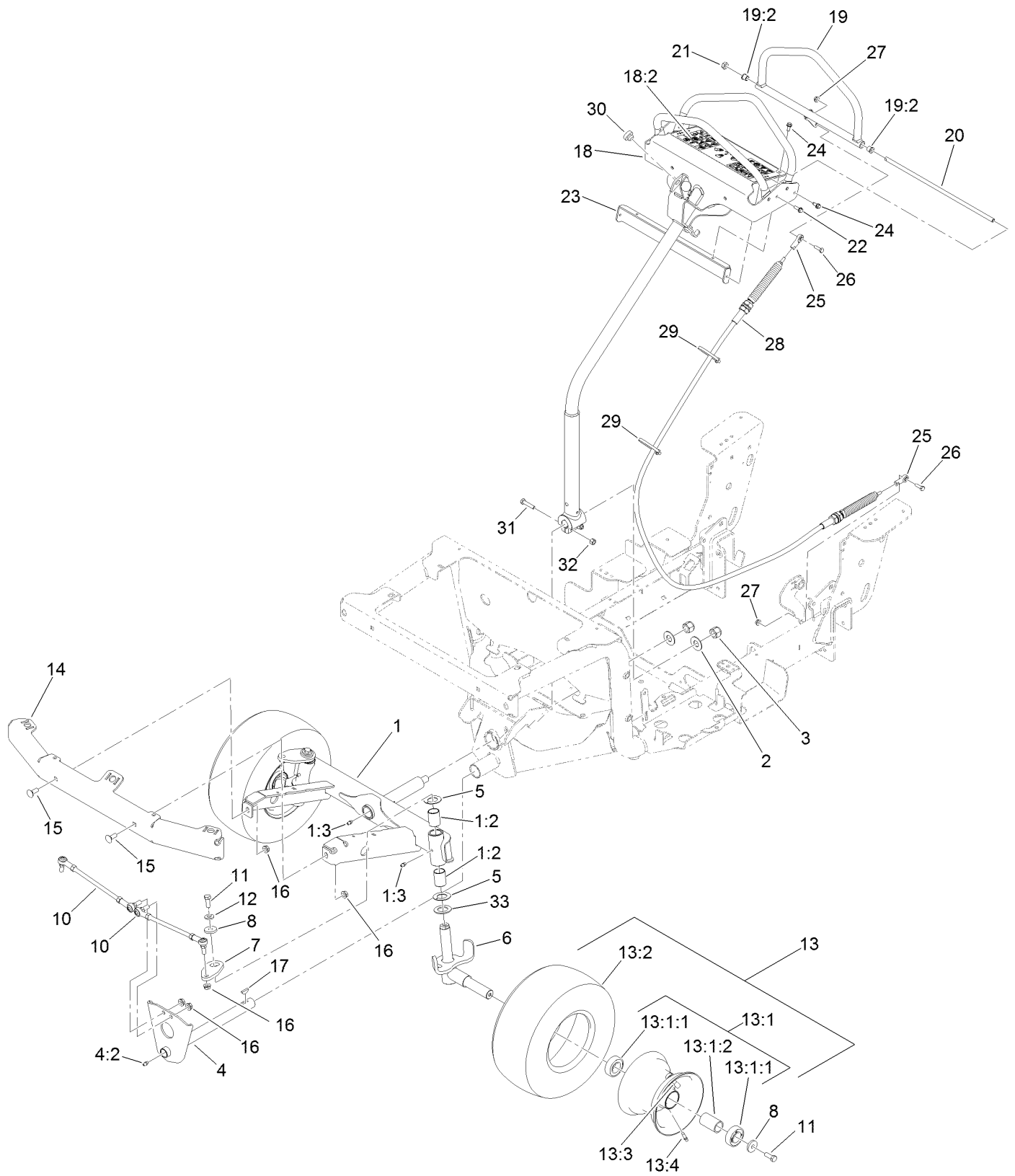
Knee Pad Assembly



Knee Pad Assembly (continued)

<i>Ref.</i>	<i>Part Number</i>	<i>Qty.</i>	<i>Description</i>	<i>Ref.</i>	<i>Part Number</i>	<i>Qty.</i>	<i>Description</i>
1	126-1244-03	1	Bracket-Pad, Knee	5	117-8304	6	Screw-HHF
2	142-2754	1	Pad-Knee, Center	6	360-0140	2	Washer-Flat
3	126-2780	1	Pad-Knee, Side (LH)	7	119-1728	2	Stud-1/4 Turn
4	126-2781	1	Pad-Knee, Side (RH)	8	119-1729	2	Retainer-Stud

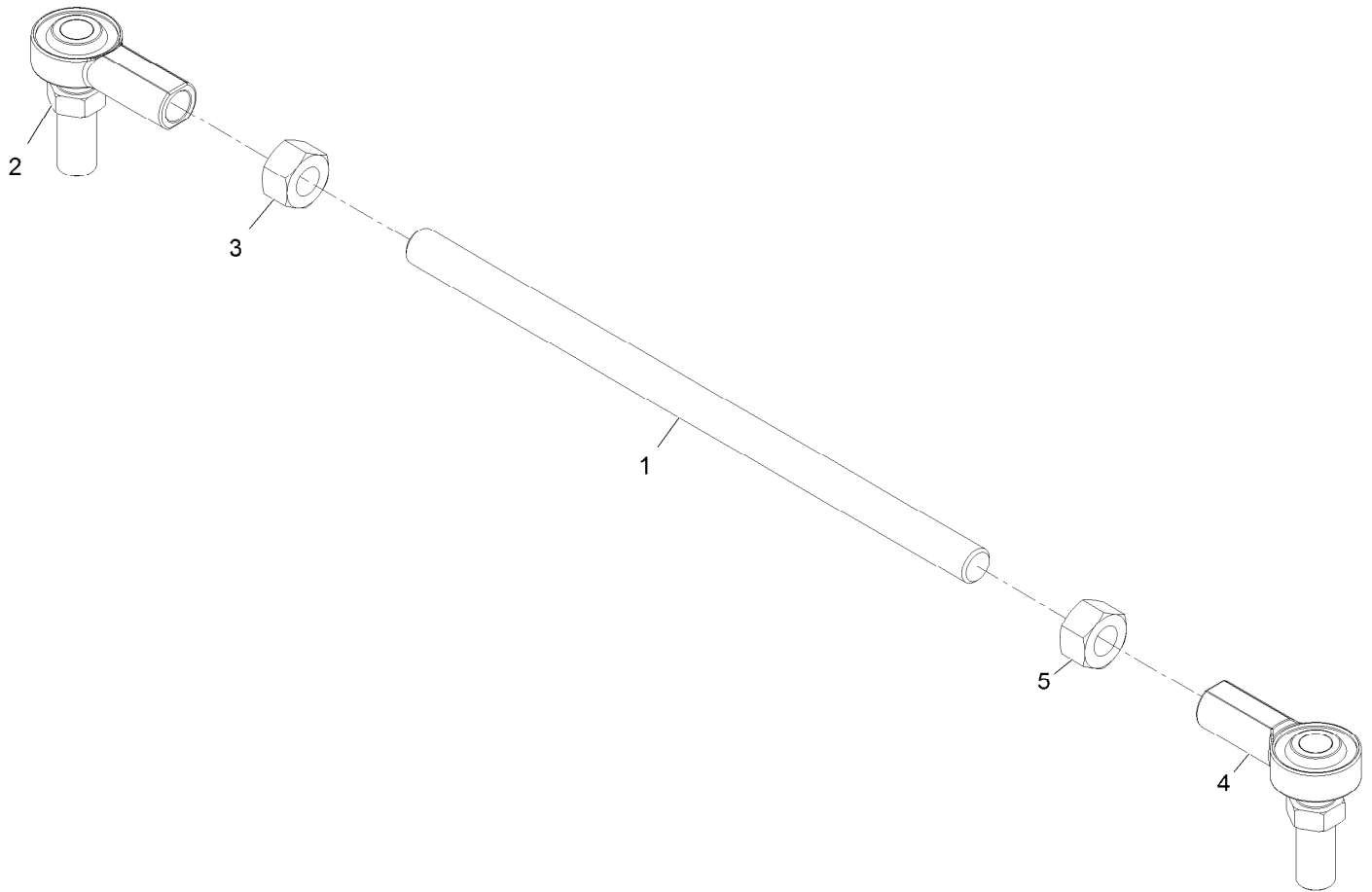
Steering Assembly



Steering Assembly (continued)

<i>Ref.</i>	<i>Part Number</i>	<i>Qty.</i>	<i>Description</i>	<i>Ref.</i>	<i>Part Number</i>	<i>Qty.</i>	<i>Description</i>
1	126-7045	1	Front Axle ASM	15	126-0980	2	Screw-CARR
1:2	126-7048	4	Bearing-Sleeve	16	135-2882	6	Nut-HF
1:3	126-1375	3	Zerk-Grease	17	3257-7	1	Key-Woodruff
2	126-0656	1	Washer-Flat	18	135-3155	1	Motion Handle ASM
3	126-3841	1	Nut-Hex, NI	18:2	135-2844	1	Decal-Warning
4	135-3156	1	Steering Shaft ASM	19	126-1598	1	Motion Handle ASM
4:2	126-1375	1	Zerk-Grease	19:2	103-9928	2	Bearing
5	126-7044	4	Washer-Thrust	20	126-0496	1	Shaft-Pivot, Speed Control
6	126-6733	2	Front Axle ASM	21	116-4198	1	Spacer-Shaft, Drive Lever
7	126-7069	2	Arm-Steering	22	117-8304	2	Screw-HHF
8	126-3875	4	Washer	23	126-1604-03	1	Panel-Rear, Steering
10	126-7185	2	Steering Linkage ASM	24	32144-10	4	Screw-HWH
11	135-1711	4	Screw-HH	25	2411-41	2	Rod End-Ball Joint
12	98-5975	2	Washer-Belleville	26	126-0498	2	Screw-HH
13	126-7221	2	Wheel And Tire ASM	27	135-2880	2	Nut-HF
13:1	126-7261	1	Wheel ASM	28	126-2169	1	Cable-Motion
13:1:1	116-0720	2	Bearing-Ball	29	3290-378	2	Tie-Cable
13:1:2	126-7260	1	Spacer	30	104-1412	2	Bumper-Rubber
13:2	126-1509	1	Tire	31	3210-9	2	Screw-HH
13:3	232-27	1	Stem-Valve	32	32152-5	2	Nut-Hex
13:4	302-62	1	Fitting-Grease	33	126-7050	2	Spacer-Relief
14	116-9789	1	Bumper-Front				

Steering Linkage Assembly No. 126-7185

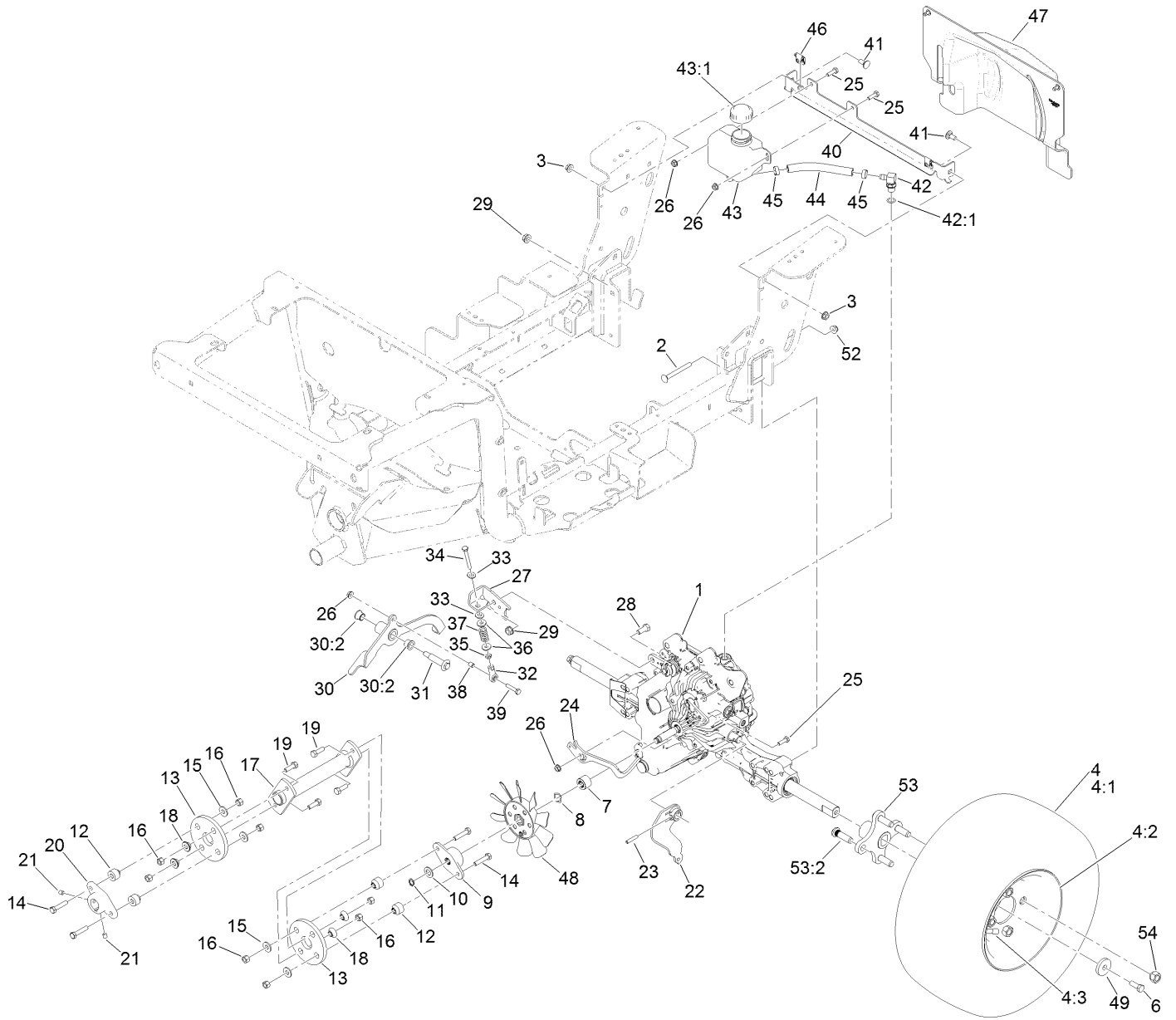


Steering Linkage Assembly No. 126-7185 (continued)

<i>Ref.</i>	<i>Part Number</i>	<i>Qty.</i>	<i>Description</i>
1	126-7183	1	Rod-Linkage, Steering
2	126-7181	1	Rod-End, RH
3	126-0687	1	Nut-Hex

<i>Ref.</i>	<i>Part Number</i>	<i>Qty.</i>	<i>Description</i>
4	126-7182	1	Rod-End, LH
5	126-0688	1	Nut-Hex, LH

Ground Drive Assembly

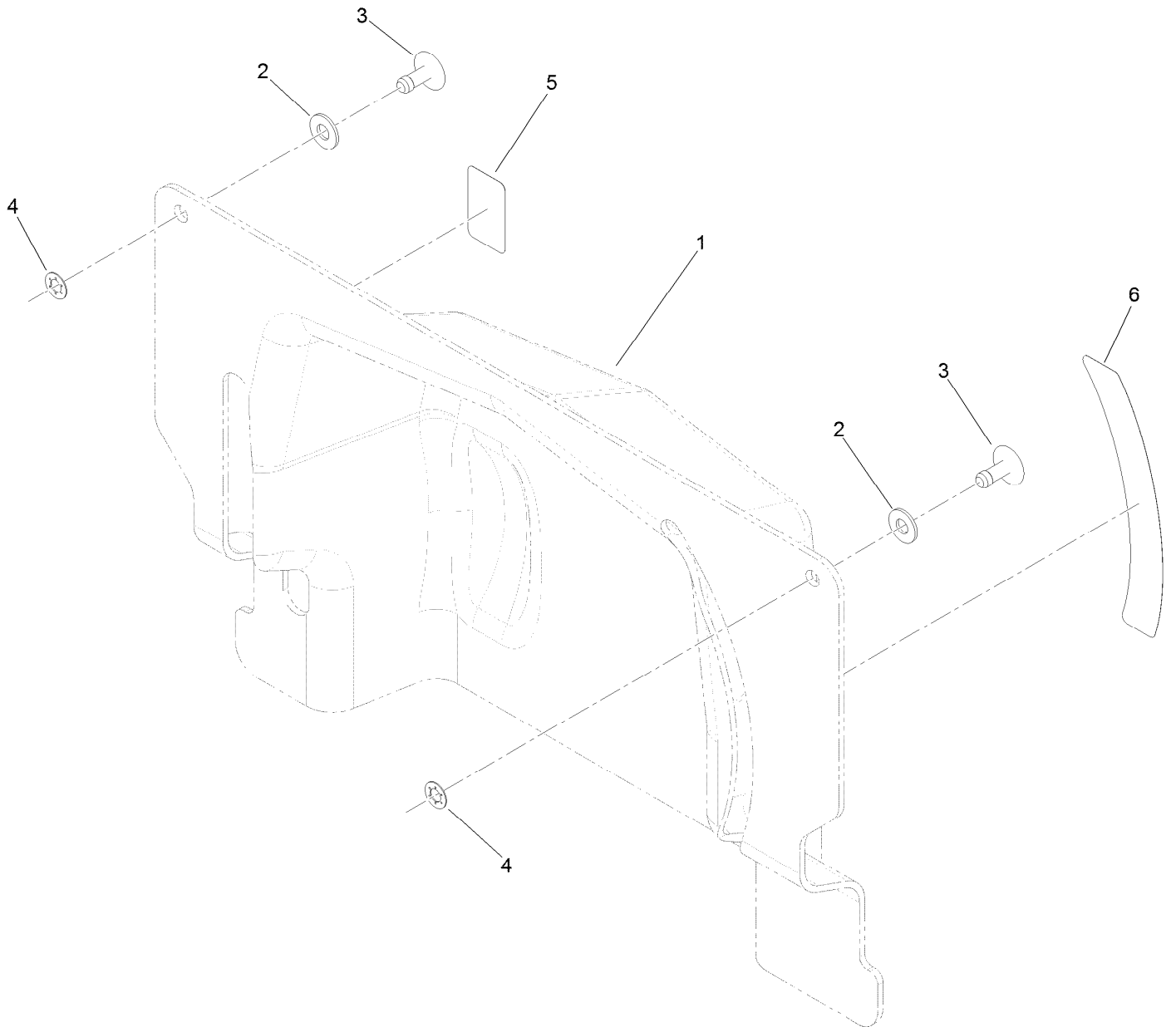


Ground Drive Assembly (continued)

<i>Ref.</i>	<i>Part Number</i>	<i>Qty.</i>	<i>Description</i>	<i>Ref.</i>	<i>Part Number</i>	<i>Qty.</i>	<i>Description</i>
1	126-2814	1	Transaxle	26	135-2880	4	Nut-HF
1:99	126-9688	1	Kit-Seal ●	27	126-3937-03	1	Arm-Brake
1:99	135-3175	1	Kit-Transmission Seal ●	28	126-0520	1	Screw-HH
1:99	142-4793	1	Plug-Bore 20 ●	29	135-2882	2	Nut-HF
2	3230-26	4	Screw-CARR	30	126-0433	1	Brake Lever ASM
3	135-2881	2	Nut-HF	30:2	116-4279	2	Bearing-Flange
4	135-1898	2	Wheel And Tire ASM (Grey)	31	92-1057	1	Bolt-Shoulder
4:1	119-8907	1	Tire-4 Ply	32	2411-41	1	Rod End-Ball Joint
4:2	135-1899	1	Wheel (Grey)	33	1-303334	2	Washer-Spring
4:3	232-27	1	Stem-Valve	34	126-4009	1	Screw-HH
4:99	107-2491	1	Tube-Tire ●	35	3220-1	1	Nut-Jam
6	135-1711	2	Screw-HH	36	3256-78	2	Washer-Flat
7	126-2983	1	Spacer-Shaft, Input	37	1-323245	1	Spring-Compression
8	3290-317	1	Washer-Spring	38	612503	1	Spacer
9	116-9787	1	Hub-Shaft, Transaxle	39	321-8	1	Screw-HH
10	605256	1	Spacer	40	126-4423-03	1	Bracket-Mount, Tank
11	32151-61	1	Ring-Retaining	41	126-0695	2	Screw-CARR
12	27-6590	4	Spacer-Coupling, Rubber	42	126-2927	1	Fitting-90 DEG
13	115-4523	2	Coupling-Rubber	42:1	237-42	1	O-Ring
14	3210-8	4	Screw-HH	43	126-2578	1	Tank ASM
15	3256-3	4	Washer-Flat	43:1	126-2579	1	Cap-Tank
16	32152-5	8	Nut-Hex	44	126-2842	1	Hose-Expansion
17	135-5223-03	1	Shaft-Drive	45	126-3749	2	Clamp
18	125-9249	4	Spacer-Coupler, Rubber	46	119-1730	2	Receptacle-Clip, Mini
19	3210-5	4	Screw-HH	47	126-1462	1	Transaxle Cover ASM
20	116-9788	1	Hub-Shaft, Engine	48	126-2980	1	Fan-7 Inch
21	3246-18	2	Setscrew	49	1-543610	2	Washer-Clutch
22	126-6243-03	1	Arm-Motion	52	104-8300	4	Nut-HF, NI
23	126-4295	1	Pin-Spiral	53	126-9884	2	Wheel Hub ASM
24	126-2811-03	1	Arm-Release	53:2	10-6830	4	Stud-Type, Drive
25	126-0498	3	Screw-HH	54	242-50	4	Nut-Lug

● Not illustrated

Transaxle Cover Assembly No. 126-1462

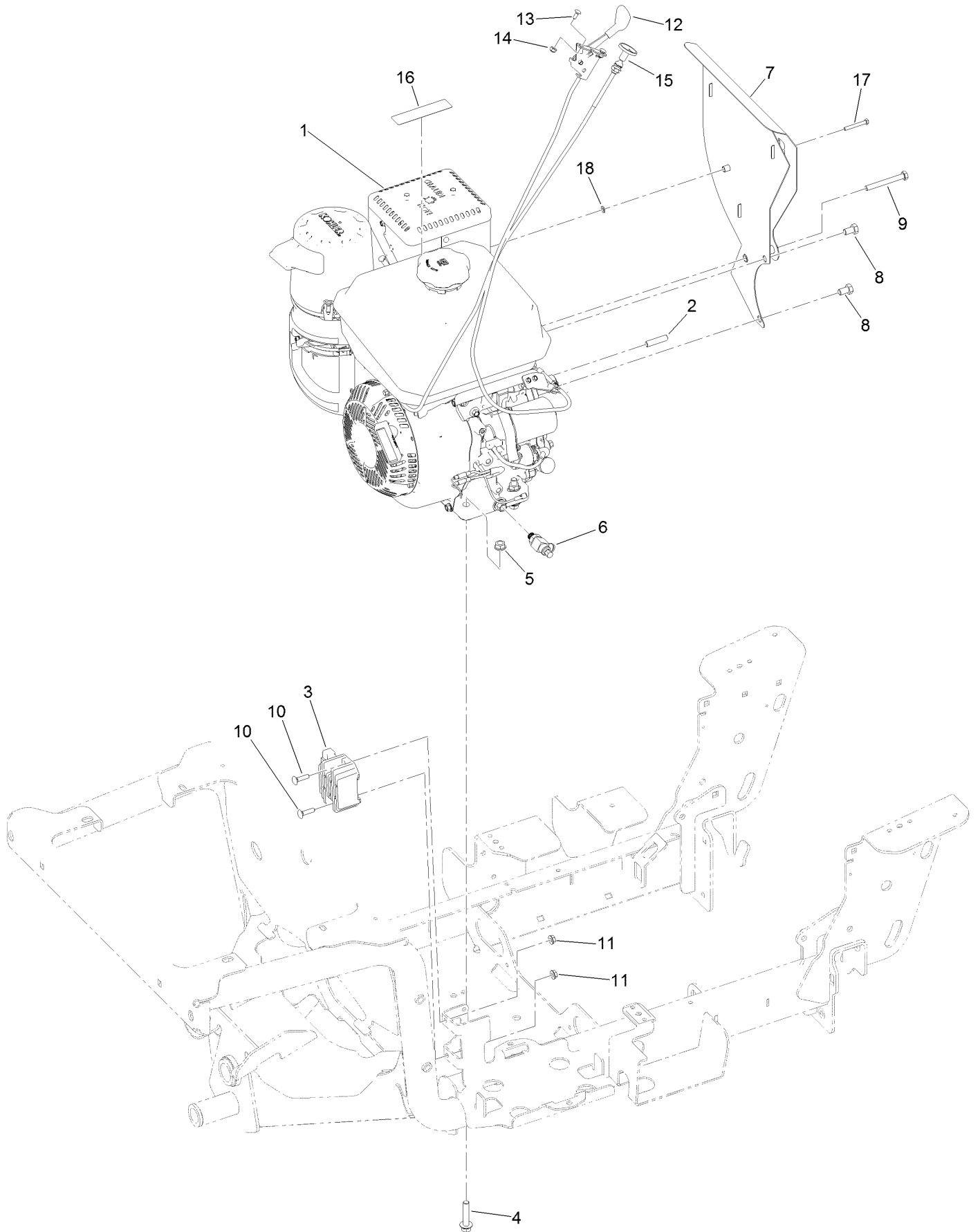


Transaxle Cover Assembly No. 126-1462 (continued)

<i>Ref.</i>	<i>Part Number</i>	<i>Qty.</i>	<i>Description</i>	<i>Ref.</i>	<i>Part Number</i>	<i>Qty.</i>	<i>Description</i>
1		1	Cover-Transaxle ●	4	119-1729	2	Retainer-Stud
2	360-0140	2	Washer-Flat	5	126-2620	1	Decal-Brake, Park
3	119-1728	2	Stud-1/4 Turn	6	126-2621	1	Decal-Release, Drive

● Not serviced separately

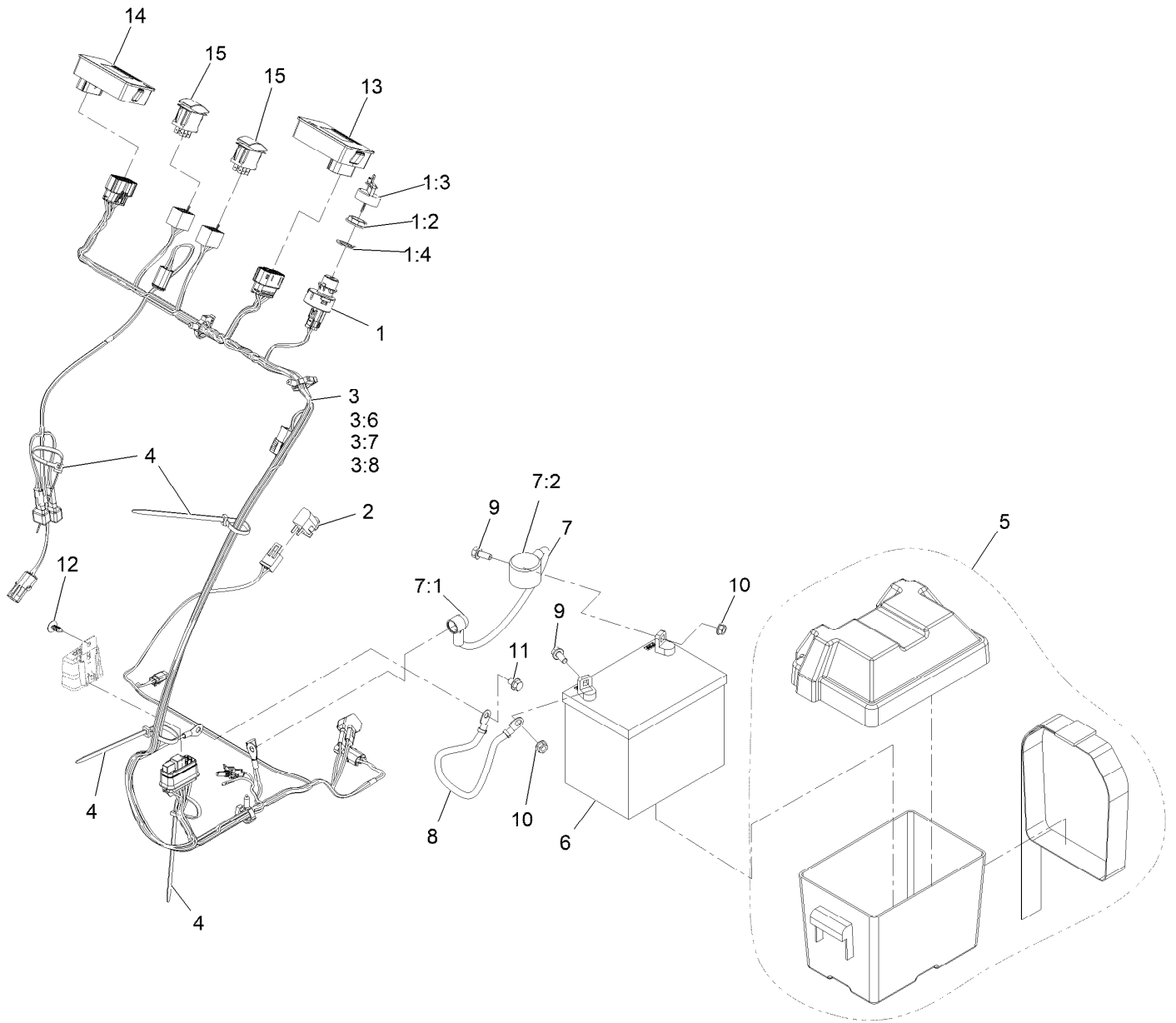
Engine Assembly



Engine Assembly (continued)

<i>Ref.</i>	<i>Part Number</i>	<i>Qty.</i>	<i>Description</i>	<i>Ref.</i>	<i>Part Number</i>	<i>Qty.</i>	<i>Description</i>
1	126-1359	1	Engine-Kohler, Ch395	11	135-2880	2	Nut-HF
2	135-3980	1	Key-Square, 7Mm	12	135-3149	1	Control-Throttle
3	135-7026	1	Regulator-Trombetta, 18A	13	1-807513	2	Bolt-CARR
4	126-2710	4	Screw-HHF	14	3296-2	2	Nut-Lock, NI
5	135-2882	4	Nut-HF	15	135-3150	1	Cable-Choke, Push/Pull
6	126-9978	1	Valve-Drain, Oil	16	133-8062	1	Decal-Arrestor, Spark
7	126-2225	1	Heat Shield ASM	17	135-4328	1	Bolt-M5X0.8Mm X 40 Mm Long
8	115-8486	2	Screw-HH	18	126-0759	1	Washer-Flat
9	120-1177	1	Screw-HH				
10	126-1455	2	Screw-CARR				

Electrical Assembly

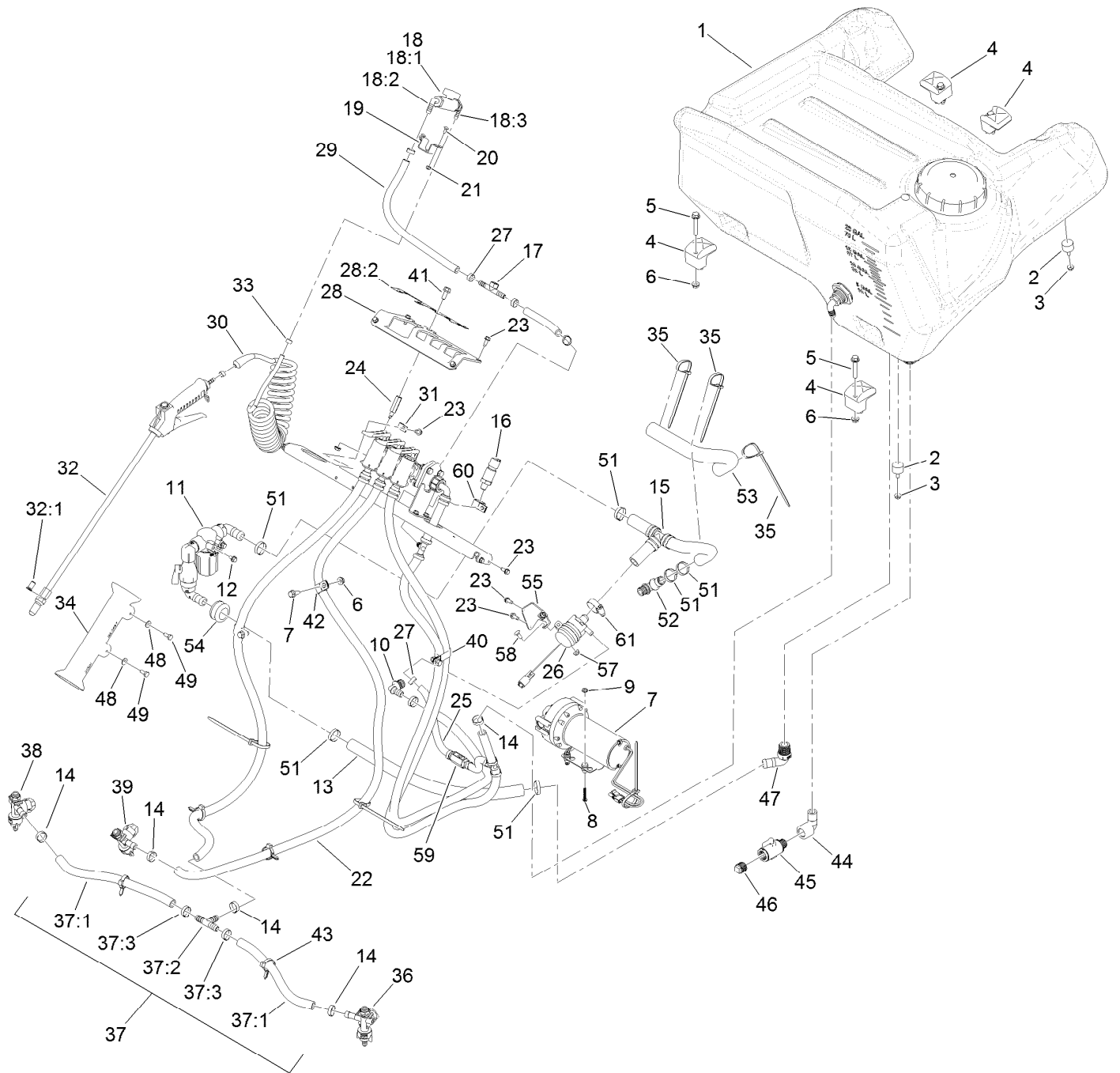


Electrical Assembly (continued)

<i>Ref.</i>	<i>Part Number</i>	<i>Qty.</i>	<i>Description</i>	<i>Ref.</i>	<i>Part Number</i>	<i>Qty.</i>	<i>Description</i>
1	126-6285	1	Ignition Switch ASM	7:1	1-543393	1	Insulator-Solenoid
1:2	108-8660	1	Nut-Mounting	7:2	109-2407	1	Insulator-Battery
1:3	106-5270	1	Ignition Key Set	8	114-9715	1	Cable-Battery, Negative
1:4	108-8659	1	Washer-Backup	9	126-2712	2	Screw-HHF 5/16-18 X 3/4 Serrated SS
2	82-2190	1	Switch	10	135-2881	2	Nut-HF
3	135-6127	1	Harness-Wire	11	68-9410	1	Screw-HHF
3:6	121-8868	2	Fuse-Mini Blade, 20 Amp	12	117-2382	1	Plug-Plastic
3:7	126-3991	1	Relay-Micro	13	135-6674	1	Hour Meter ASM
3:8	135-5221	1	Relay-Coil, NC, Mp280	14	135-6675	1	Hour Meter ASM
4	3290-378	4	Tie-Cable	15	100-1535	2	Switch-Rocker, (On)-Off-(On)
5	126-1424	1	Battery Box				
6		1	Battery ●				
7	135-4669	1	Positive Battery Cable ASM				

● Not serviced separately

Spray System Assembly

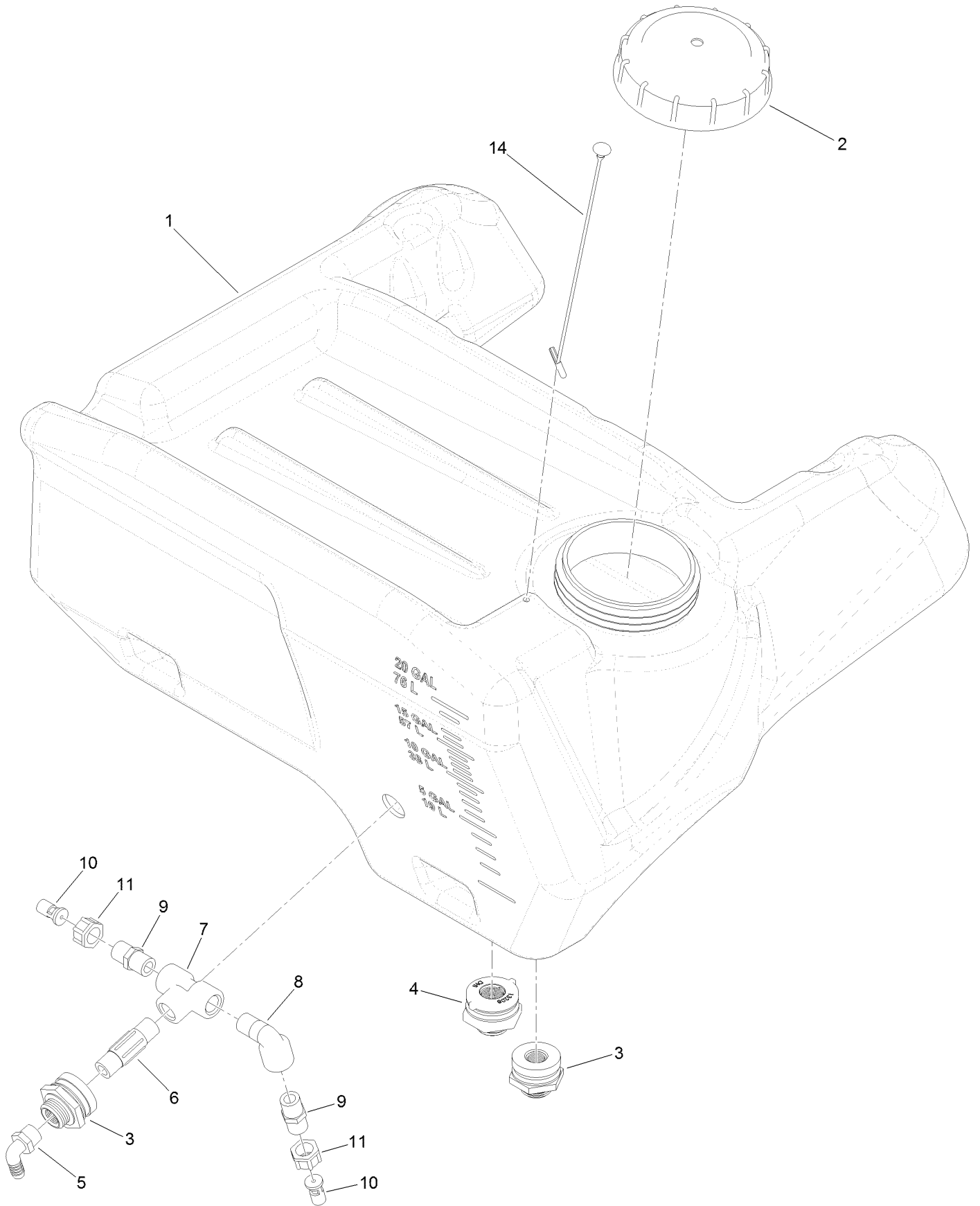


Spray System Assembly (continued)

<i>Ref.</i>	<i>Part Number</i>	<i>Qty.</i>	<i>Description</i>	<i>Ref.</i>	<i>Part Number</i>	<i>Qty.</i>	<i>Description</i>
1	126-0286	1	Tank-Sprayer	30	126-1493	1	Hose-Coiled
2	1-523420	4	Bumper	31	2412-89	1	Clamp-R
3	135-2880	5	Nut-HF	32	126-8000	1	Spray Wand ASM
4	107-4543	4	Clamp	32:1	126-3943	1	Strainer-Nozzle, 50M 5PSI Check
5	126-2711	4	Screw-HHF	33	126-2707	2	Clamp
6	135-2881	7	Nut-HF	34	126-3987	1	Holder-Wand
7	142-2301	1	Pump-Diaphragm, 3.8 GPM	35	3290-378	5	Tie-Cable
8	692501	4	Screw-SHWH	36	126-3667	1	Left Nozzle Sub ASM
9	126-2645	4	Nut-HF	37	126-2252	1	Hose ASM
10	126-0961	1	Fitting-Elbow, Barbed	37:1	126-2264	2	Hose-Water
11	126-4358	1	Strainer ASM	37:2	126-0968	1	Fitting-Tee
12	126-2713	2	Screw-HHF	37:3	142-3662	2	Clamp Oetiker 0.716" Closed 0.826" Open
13	126-4422	1	Hose-Water	38	126-3669	1	Right Nozzle Sub ASM
14	142-3662	8	Clamp Oetiker 0.716" Closed 0.826" Open	39	126-3668	1	Center Nozzle Sub ASM
15	142-2192	1	ASM-, 3/4 Pvc Reinforced Water Hose	40	120-1959	1	Clamp
16	142-4495	1	Transducer-Pressure	41	126-2712	4	Screw-HHF
17	126-2348	1	Fitting-Tee	42	1-633396	2	Clip-Loom
18		1	Wand Control ASM ●	43	105-1853	4	Clamp-Hose
18:1	126-0242	1	Valve-Ball	44	108-3573	1	Elbow-90 DEG
18:2	126-4992	1	Fitting-Elbow-90	45	126-1494	1	Microvalve
18:3	126-4993	1	Fitting-Elbow-90	46	363-3125	1	Plug
19	126-0239-03	1	Bracket-Valve	47	119-0490	1	Elbow-Hosebarb
20	1-807513	2	Bolt-CARR	48	360-0140	2	Washer-Flat
21	3296-2	2	Nut-Lock, NI	49	126-1290	2	Screw-HH
22		1	Manifold-Valve, Control ASM ●	51	126-4779	6	Clamp
23	32144-10	11	Screw-HWH	52	126-4420	1	Fitting-Elbow
24	135-6461	1	Spacer, Manifold Mount	53	126-5065	1	Sleeve-Corrugated, Split
25	142-2213	1	Hose-Water	54	126-7410	1	Grommet
26	135-7843	1	Pump-Centrifugal	55	135-7913-03	1	Brkt-Recir Pump
27	126-3749	5	Clamp	57	104-7201	2	Nut-HF, NI
28	126-4180	1	Cover-Controls	58	3229-11	2	Screw-CARR
28:2	135-7256	1	Decal-Lever Control	59	142-2180	1	Valve-3/8 Check
29	126-5847	1	Hose-Water, 3/8 Pvc Red	60	132-7590	1	R-Clamp
				61	2412-129	1	Clamp-Hose

● Not serviced separately

Sprayer Tank Assembly No. 126-0286

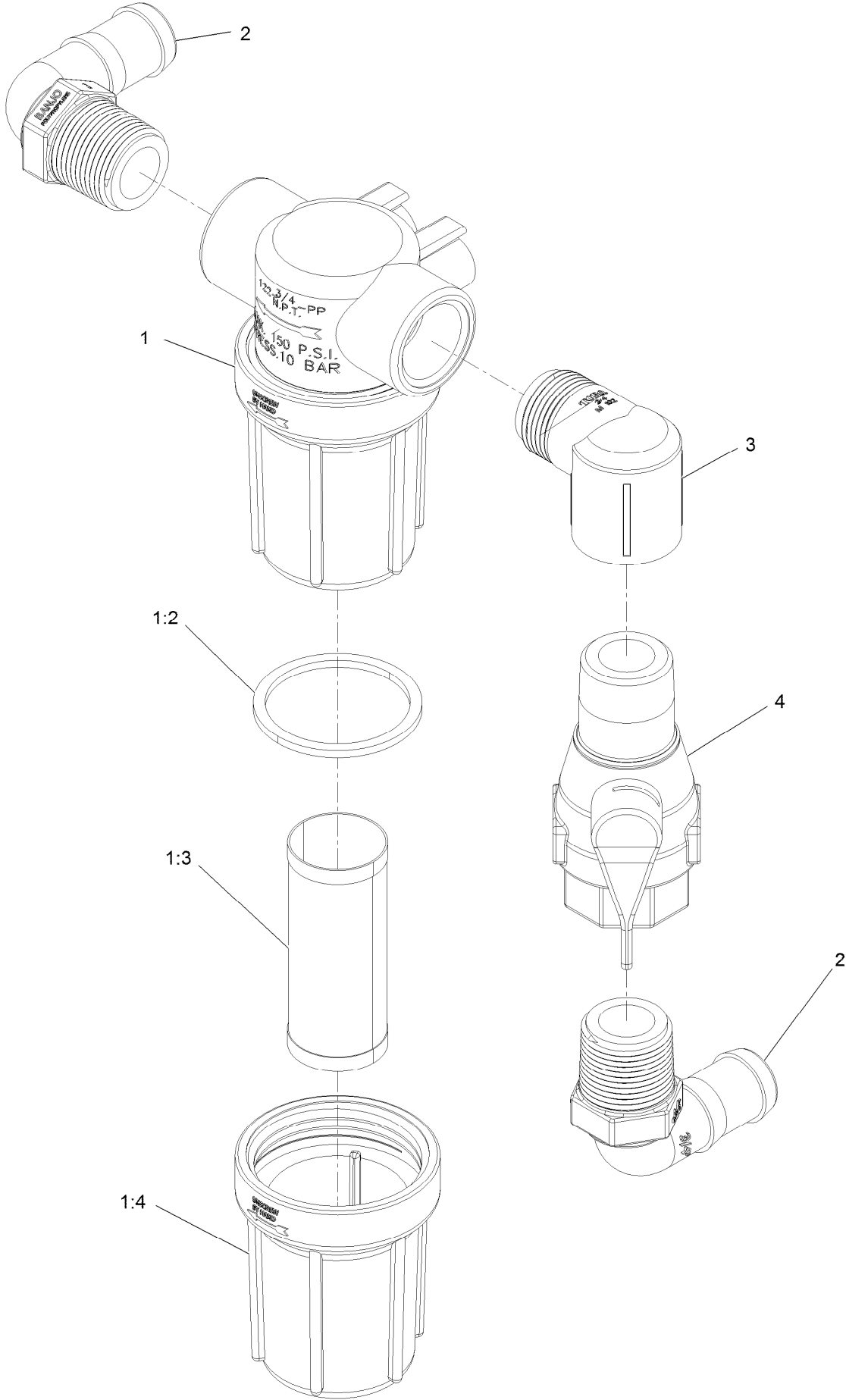


Sprayer Tank Assembly No. 126-0286 (continued)

<i>Ref.</i>	<i>Part Number</i>	<i>Qty.</i>	<i>Description</i>	<i>Ref.</i>	<i>Part Number</i>	<i>Qty.</i>	<i>Description</i>
1		1	Tank-Sprayer ●	8	108-3573	1	Elbow-90 DEG
2	126-0285	1	Cap-Water, 5 Inch Vent	9	108-3574	2	Nipple-Short
3	126-0400	2	Fitting-Bulkhead	10	100-6705	2	Nozzle-Agitation
4	126-4393	1	Fitting-Bulkhead	11	99-0766	2	Nut
5	42046	1	Elbow-90 DEG	14	126-3381	1	Lanyard-Cap, Self Anchoring (12 Inch)
6	94-7103	1	Nipple				
7	94-7100	1	Tee				

● Not serviced separately

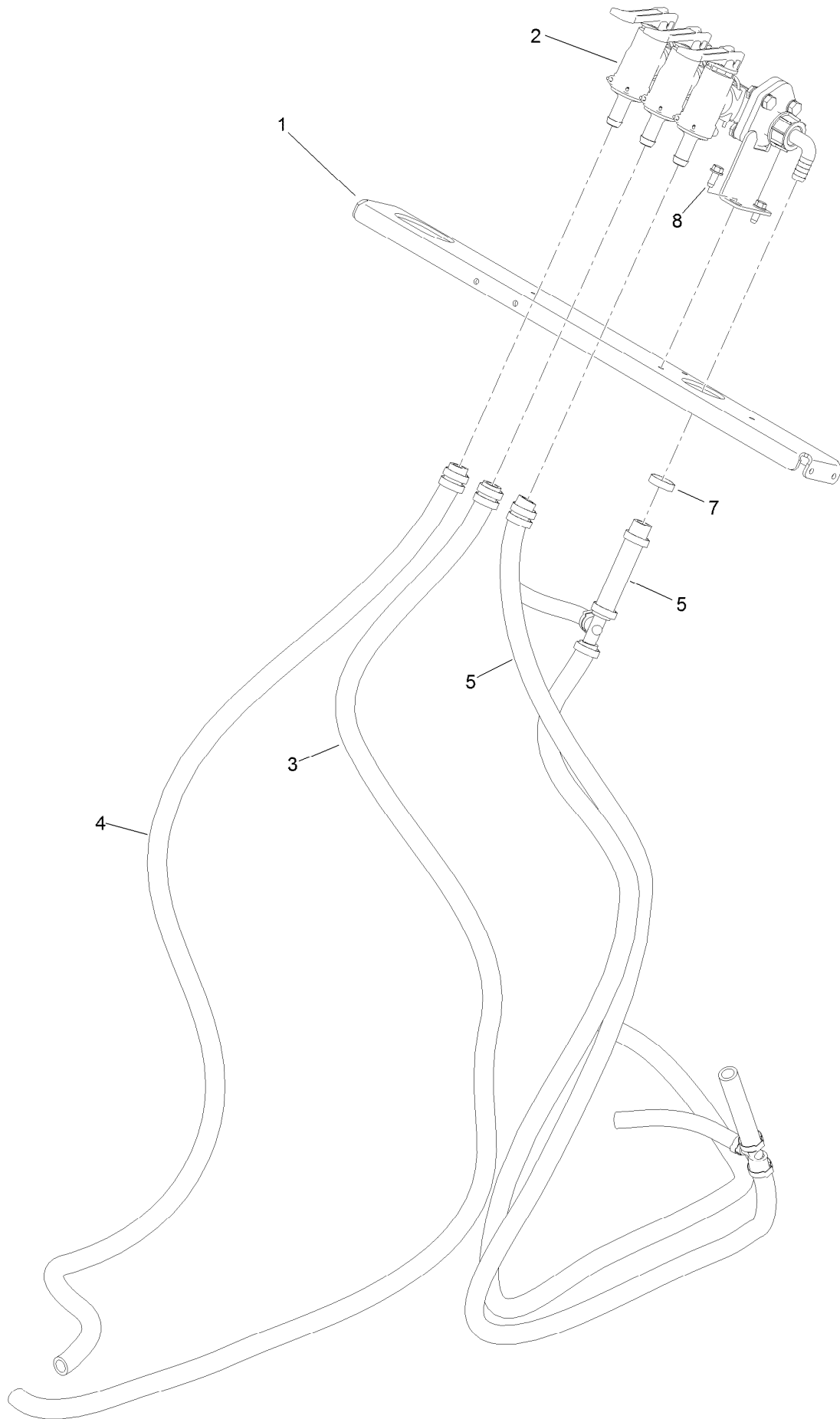
Strainer Assembly No. 126-4358



Strainer Assembly No. 126-4358 (continued)

<i>Ref.</i>	<i>Part Number</i>	<i>Qty.</i>	<i>Description</i>	<i>Ref.</i>	<i>Part Number</i>	<i>Qty.</i>	<i>Description</i>
1	126-4374	1	Strainer-Line	1:4	126-7195	1	Bowl-Strainer
1:2	126-2272	1	Gasket-Head, Line Strainer	2	119-0490	2	Elbow-Hosebarb
1:3	126-2273	1	Screen-Strainer, 30 Mesh SS	3	102-4272	1	Elbow
				4	126-4451	1	Valve-Ball

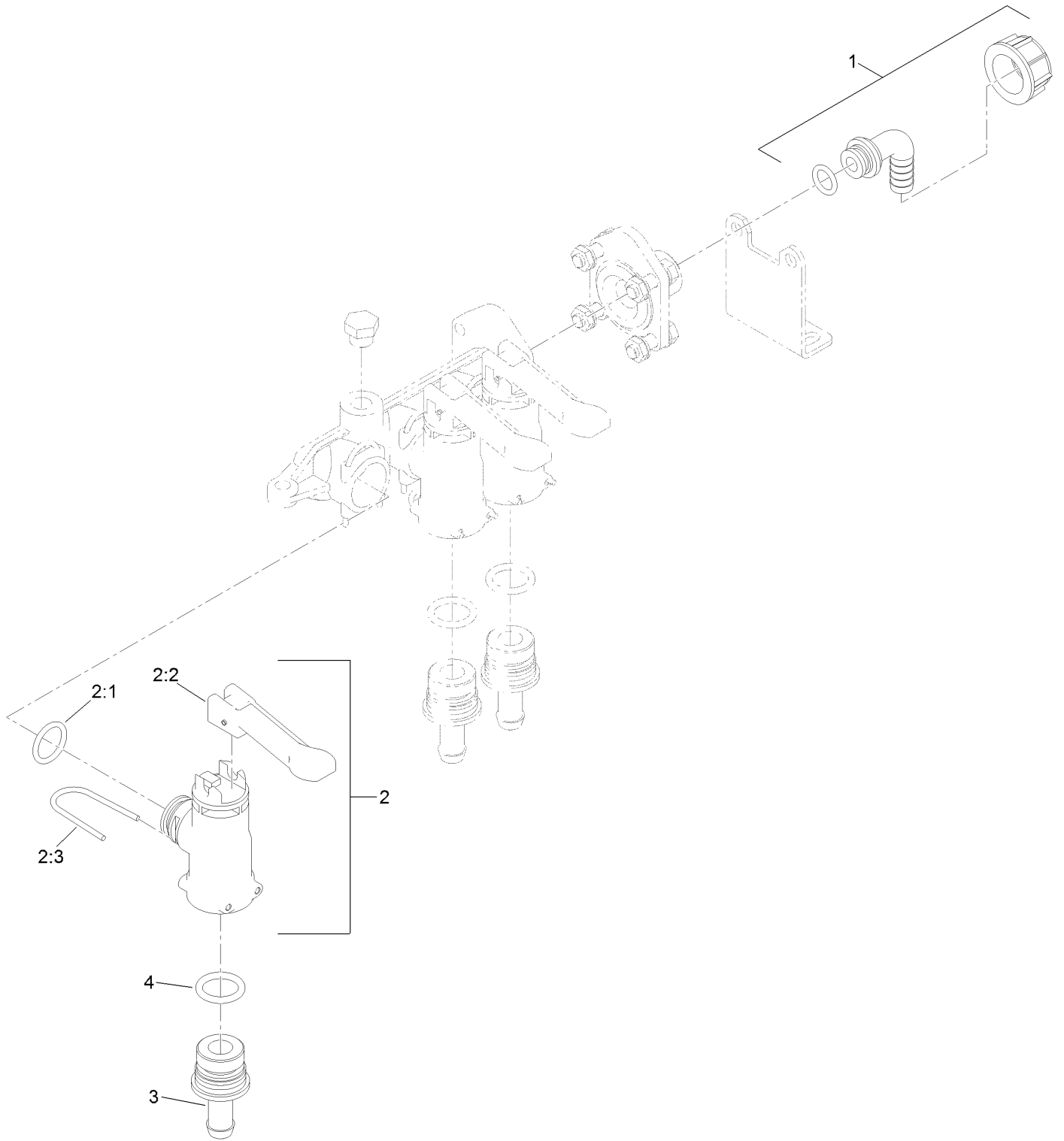
Control Valve Manifold and Hose Assembly



Control Valve Manifold and Hose Assembly (continued)

<i>Ref.</i>	<i>Part Number</i>	<i>Qty.</i>	<i>Description</i>	<i>Ref.</i>	<i>Part Number</i>	<i>Qty.</i>	<i>Description</i>
1	135-6360-03	1	Crossmember-Column	5	142-3560	2	Hose ASM
2	135-6362	1	Manifold-Valve, Control	7	142-3662	8	Clamp Oetiker 0.716" Closed 0.826" Open
3	126-2261	1	Hose-Water	8	32144-10	2	Screw-HWH 1/4-20 X .62
4	126-2263	1	Hose-Water				

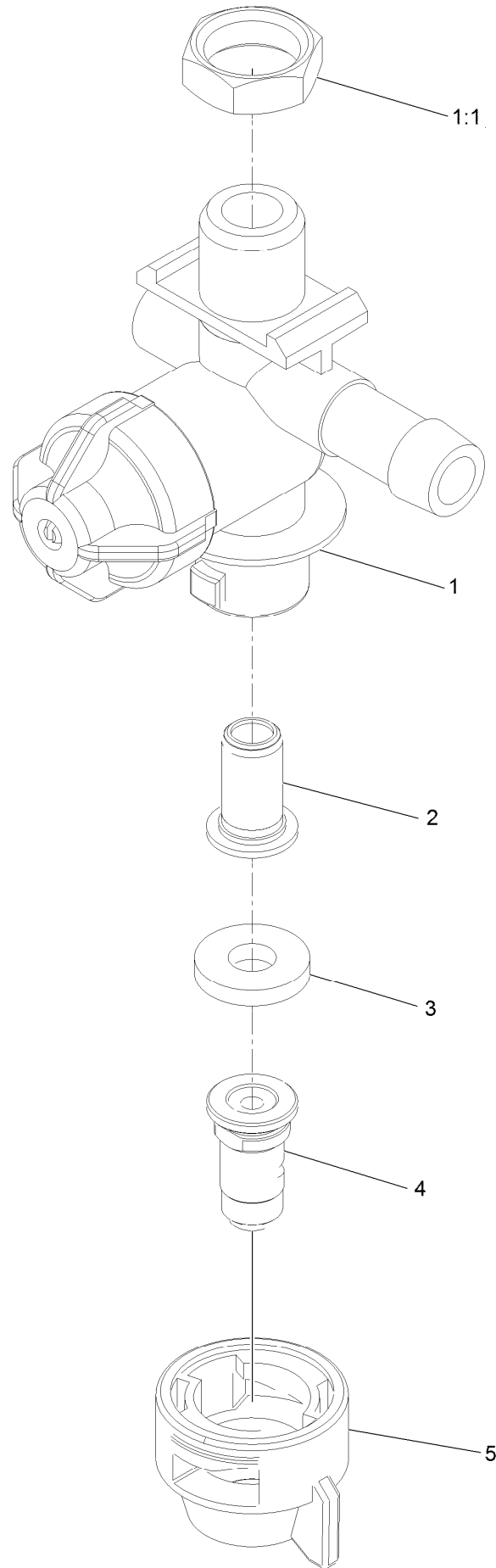
Control Valve Manifold Assembly No. 135-6362



Control Valve Manifold Assembly No. 135-6362 (continued)

<i>Ref.</i>	<i>Part Number</i>	<i>Qty.</i>	<i>Description</i>	<i>Ref.</i>	<i>Part Number</i>	<i>Qty.</i>	<i>Description</i>
1	135-6464	1	Flynut Assembly	2:3	126-6332	1	Wireform Retainer Kit
2	126-7641	1	Valve Assembly W/ O-Ring	3	126-6321	1	Hose Barb
2:1	126-6328	1	O-Ring Kit, Valve Inlet	4	126-6327	1	O-Ring Kit, Valve Outlet
2:2	126-6319	1	Lever And Pin Assembly				Barb

Left Nozzle Assembly No. 126-3667



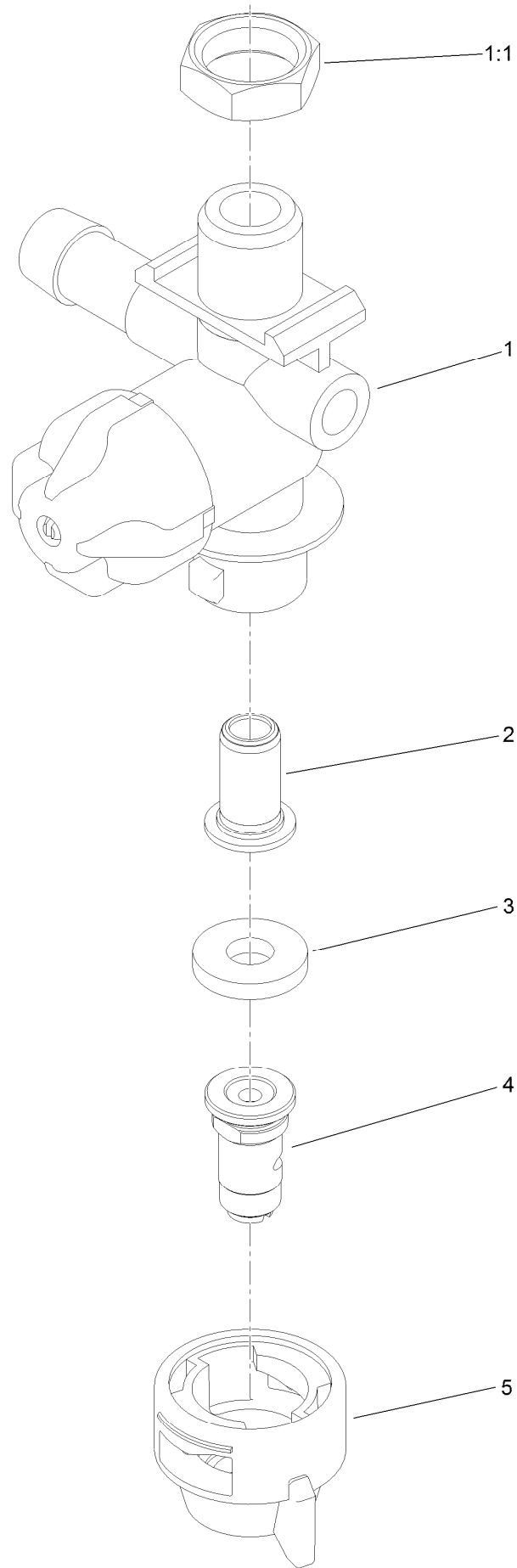
Left Nozzle Assembly No. 126-3667 (continued)

<i>Ref.</i>	<i>Part Number</i>	<i>Qty.</i>	<i>Description</i>	<i>Ref.</i>	<i>Part Number</i>	<i>Qty.</i>	<i>Description</i>
1	116-9790	1	LH Nozzle Body ASM	5	116-9796	1	Cap-Nozzle
1:1	126-2801	1	Nut-Nylon	99	126-7172	1	Nozzle-Spray, Blue ●■
2	126-1212	1	Strainer-Tip	99	126-7171	1	Nozzle-Spray, Brown ●■
3	116-9797	1	Gasket-Seal	99	126-7170	1	Nozzle-Spray, Gray ●■
4	116-9798	1	Nozzle-Spray, White	99	126-2566	1	Nozzle-Spray, Red ●■

● Not illustrated

■ Sold separately

Right Nozzle Assembly No. 126-3669

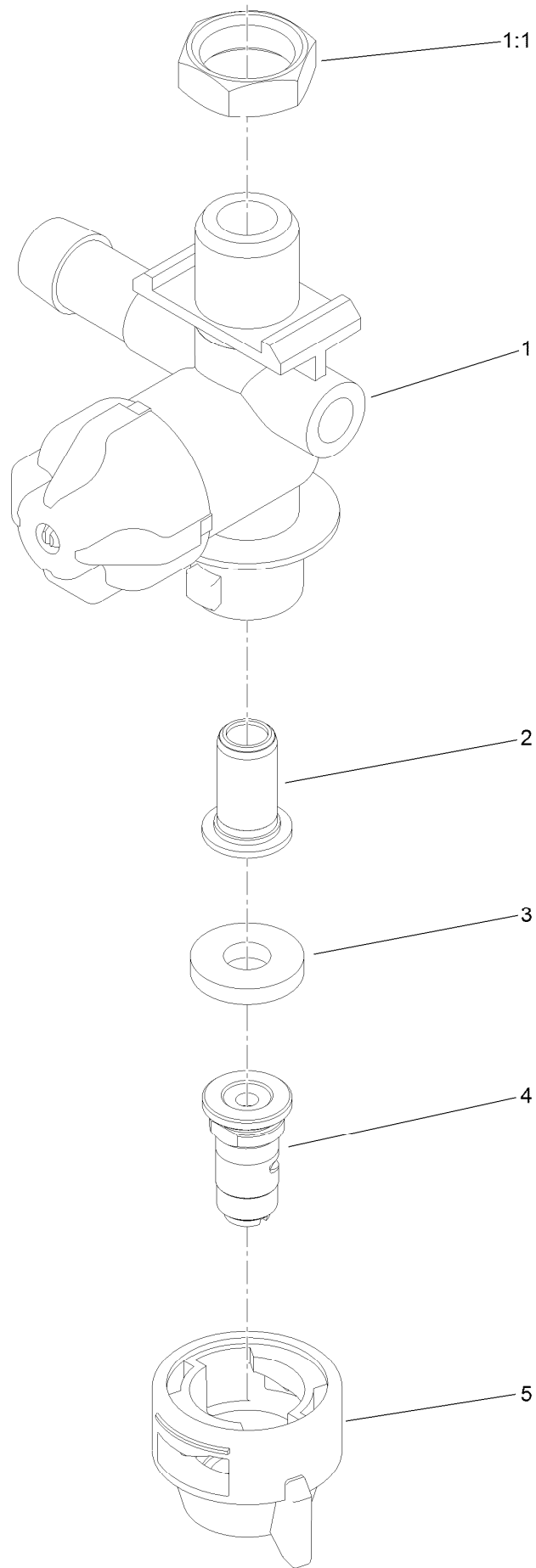


Right Nozzle Assembly No. 126-3669 (continued)

<i>Ref.</i>	<i>Part Number</i>	<i>Qty.</i>	<i>Description</i>	<i>Ref.</i>	<i>Part Number</i>	<i>Qty.</i>	<i>Description</i>
1	116-9791	1	RH Nozzle Body ASM	5	116-9796	1	Cap-Nozzle
1:1	126-2801	1	Nut-Nylon	99	126-7172	1	Nozzle-Spray, Blue ●
2	126-1212	1	Strainer-Tip	99	126-7171	1	Nozzle-Spray, Brown ●
3	116-9797	1	Gasket-Seal	99	126-7170	1	Nozzle-Spray, Gray ●
4	116-9798	1	Nozzle-Spray, White	99	126-2566	1	Nozzle-Spray, Red ●

● Not illustrated

Center Nozzle Assembly No. 126-3668



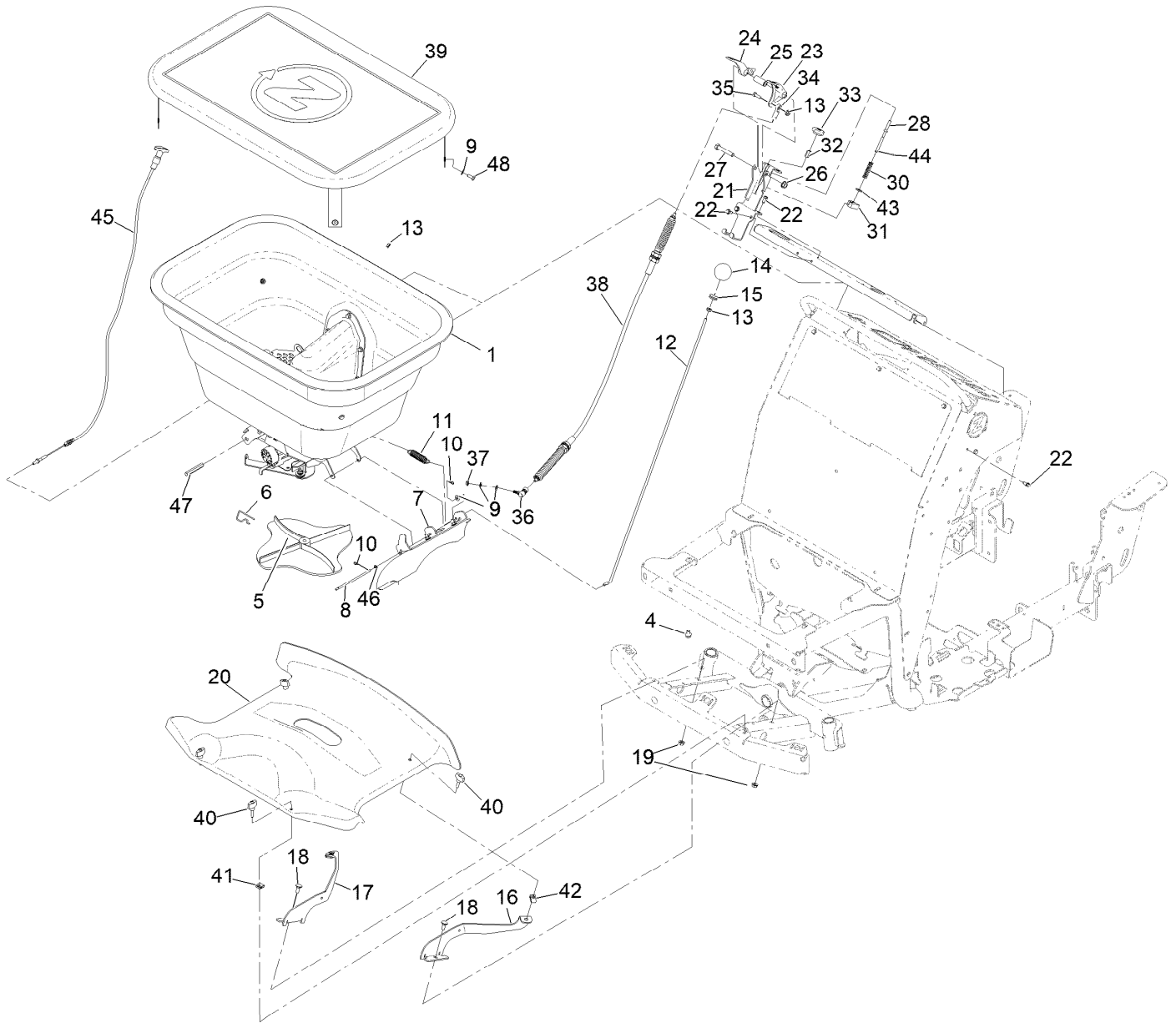
Center Nozzle Assembly No. 126-3668 (continued)

<i>Ref.</i>	<i>Part Number</i>	<i>Qty.</i>	<i>Description</i>	<i>Ref.</i>	<i>Part Number</i>	<i>Qty.</i>	<i>Description</i>
1	116-9791	1	RH Nozzle Body ASM	5	116-9796	1	Cap-Nozzle
1:1	126-2801	1	Nut-Nylon	99	126-7170	1	Nozzle-Spray, Gray ●■
2	126-1212	1	Strainer-Tip	99	116-9798	1	Nozzle-Spray, White ●■
3	116-9797	1	Gasket-Seal	99	126-7171	1	Nozzle-Spray, Brown ●■
4	126-2566	1	Nozzle-Spray, Red	99	126-7172	1	Nozzle-Spray, Blue ●■

● Not illustrated

■ Sold separately

Spreader Assembly



Spreader Assembly (continued)

<i>Ref.</i>	<i>Part Number</i>	<i>Qty.</i>	<i>Description</i>	<i>Ref.</i>	<i>Part Number</i>	<i>Qty.</i>	<i>Description</i>
1		1	Spreader Hopper ASM ●	25	126-3984	1	Spacer
4	142-4255	4	Screw-HHF	26	135-2882	1	Nut-HF
5	142-3506	1	Spinner-Spreader	27	323-11	1	Screw-HH
6	142-3541	1	Clip-Spinner	28	126-3929	1	Link-Adjust, Narrow
7		1	Side Deflector ASM ●	30	125-0547	1	Spring-Compression, Bail
8	135-2558	1	Pin-Deflector	31	126-3147	1	Stop-Spread, Narrow
9	360-0140	9	Washer-Flat	32	126-4891	1	Nut-Coupler
10	126-1631	2	Pin-Cotter, Hair	33	126-3905	1	Knob
11	126-2127	1	Spring-Extension	34	2411-41	1	Rod End-Ball Joint
12	126-2190	1	Rod-Control, Deflector	35	126-0498	1	Screw-HH
13	135-2880	6	Nut-HF	36	126-2005	1	Ball-Joint
14	121-1877	1	Knob-Rate, Flow	37	126-2725	1	Nut-Hex, NI
15	1-633630	1	Grommet	38	126-1783	1	Cable
16	126-2145	1	Bracket-Cover, Front (LH)	39	126-2815	1	Cover-Hopper
17	126-2146	1	Bracket-Cover, Front (RH)	40	126-5846	4	Knob-T
18	126-0695	2	Screw-CARR	41	126-3740	2	Nut-Retainer, U Style
19	135-2881	2	Nut-HF	42	126-3739	2	Nut-Retainer
20	126-2063	1	Cover-Front, Spreader/Sprayer	43	3256-78	1	Washer-Flat
21	126-3133	1	Mount-Handle	44	3272-5	1	Pin-Cotter
22	32144-10	3	Screw-HWH	45	126-4150	1	Cable-Control, Turn Lock
23	126-3947	1	Lever-Spread, Wide	46	126-0759	1	Washer-Flat
24	126-3948	1	Lever-Spread, Narrow	47	126-4655	1	Post-Hex, Diffuser Guide
				48	126-1290	4	Screw-HH

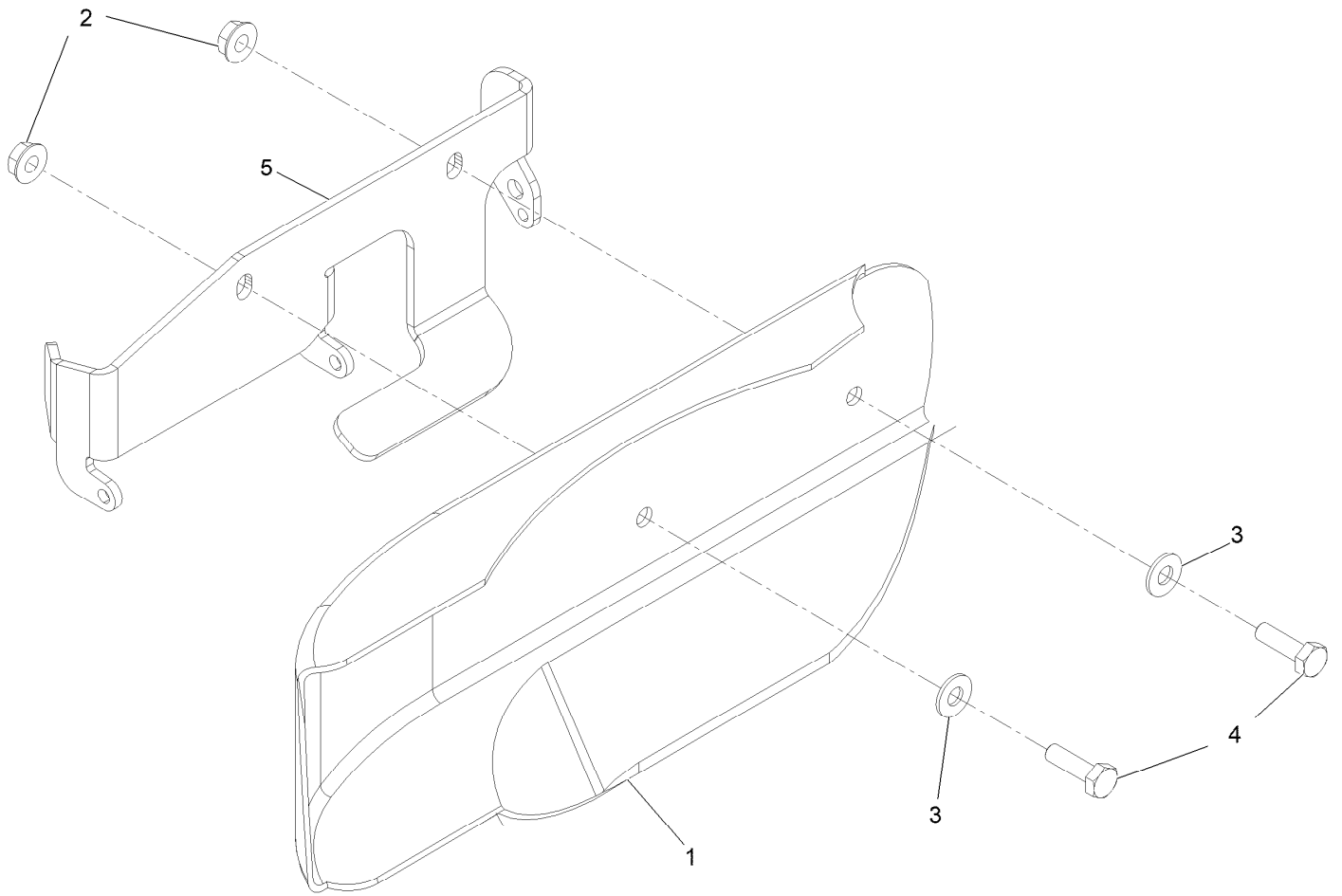
● Not serviced separately

Spreader Hopper Assembly (continued)

<i>Ref.</i>	<i>Part Number</i>	<i>Qty.</i>	<i>Description</i>	<i>Ref.</i>	<i>Part Number</i>	<i>Qty.</i>	<i>Description</i>
1	142-2734	1	Hopper-Spreader, 175 Lb	22	135-6280	8	Screw-HHF 1/4-20 X 1/2 Serrated SS
2	126-4245	1	Bracket-Mount, Motor	23	142-3602	1	Bracket-Lever, Hopper Gate
3	360-0140	16	Washer-Flat	25	142-3665	1	Washer-Felt
4	126-0498	2	Screw-HH 1/4-20 X 7/8 SS	26	142-3316	4	Guide-Rate, Gate
5	135-2880	12	Nut-HF	27	142-3406	1	Diffuser
6	126-6231	1	Spreader Motor ASM	28	126-3729	1	Pin-Clevis
6:2	135-3989	4	Spacer-Flanged	29	126-1631	1	Pin-Cotter, Hair
6:3	360-0140	4	Washer-Flat	30	142-3821	1	Rate Dial ASM
6:4	363-8641	4	Washer-Lock, Int	30:1	142-3319	1	Mount-Dial
6:5	739001	4	Screw-SHWH 10-32 X 7/8	30:2	142-3359	1	Dial
7	83-2400	1	Spacer	30:3		1	Rate Gate Link ASM ●
9	126-1348	1	Cover-Motor	30:3:1	126-0987	1	Link-Gate, Rate
10	142-3666	1	Wire-Agitator	30:3:2	126-4196	1	Screw-Shoulder, Slotted
11	142-4040	1	ASM-Mulch Plate W/ Bearing	30:4	88-1080	1	Footpad Fastener
11:2	142-4042	1	Hopper Bottom Bearing	31	142-4342	1	Rate Gate
12	363-8641	4	Washer-Lock, Int	32	126-4112	1	Lever-Gate
13	126-6334	1	Flange-Cover, Motor	33	126-3143	1	Screen-Hopper, Large Hole
14	126-4650	1	Bracket-Hopper, Gate Controls	33	126-3240	1	Screen-Hopper, Medium Hole
15	93-1633	4	Washer	33	126-3242	1	Screen-Hopper, Small Hole
16	126-3684	2	Spacer	34	126-1624	1	Clamp-Loop
19	126-1646	1	Rod-Control, Diffuser	35	126-0759	2	Washer-Flat

● Not serviced separately

Side Deflector Assembly



Side Deflector Assembly (continued)

<i>Ref.</i>	<i>Part Number</i>	<i>Qty.</i>	<i>Description</i>	<i>Ref.</i>	<i>Part Number</i>	<i>Qty.</i>	<i>Description</i>
1	142-3619	1	Deflector-Side	4	126-0498	2	Screw-HH 1/4-20 X 7/8 SS
2	135-2501	1	Bracket-Deflector, Side	5	135-2880	2	Nut-HF
3	360-0140	2	Washer-Flat				

Notes:

Notes:



Count on it.