



Steel Tub Material Buggies

Model No. 68101—Serial No. 321000001 and Up

Installation Instructions

Safety

Safety and Instructional Decals



Safety decals and instructions are easily visible to the operator and are located near any area of potential danger. Replace any decal that is damaged or missing.

WARNING: Cancer and Reproductive Harm - www.P65Warnings.ca.gov.
For more information, please visit www.ttcoCAProp65.com

133-8061
decal133-8061

133-8061

1. Park the machine on a level surface, engage the parking brake, lower the hopper, shut off the engine, and remove the key.
2. Remove the existing tub; retain the hardware.
3. Secure the new tub to the frame using the previously removed 4 bolts, 4 washers, and 4 nuts.

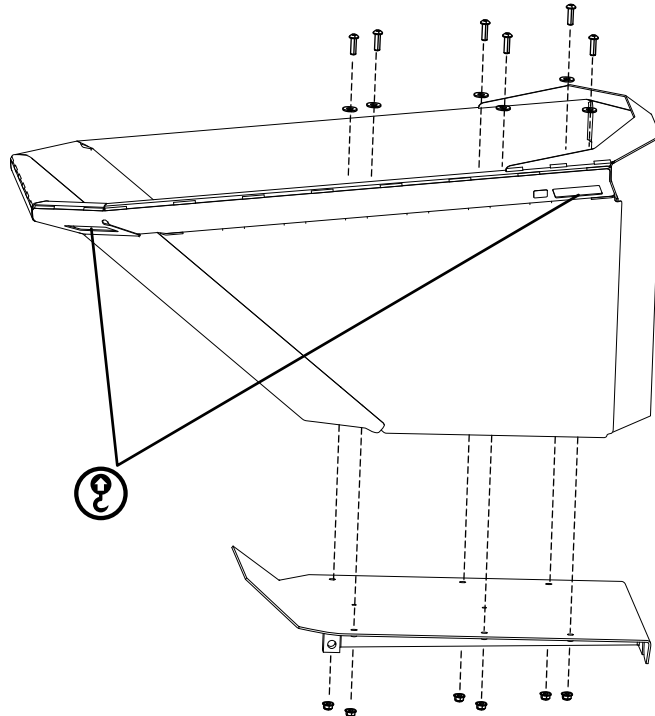


Figure 1

g347428



⚠ WARNING

Using a drill without proper eye protection may allow debris to enter the eye, causing injury.

When drilling, always wear eye protection.

- Using the new tub as a template, mark and drill 2 holes (9/16 inch).

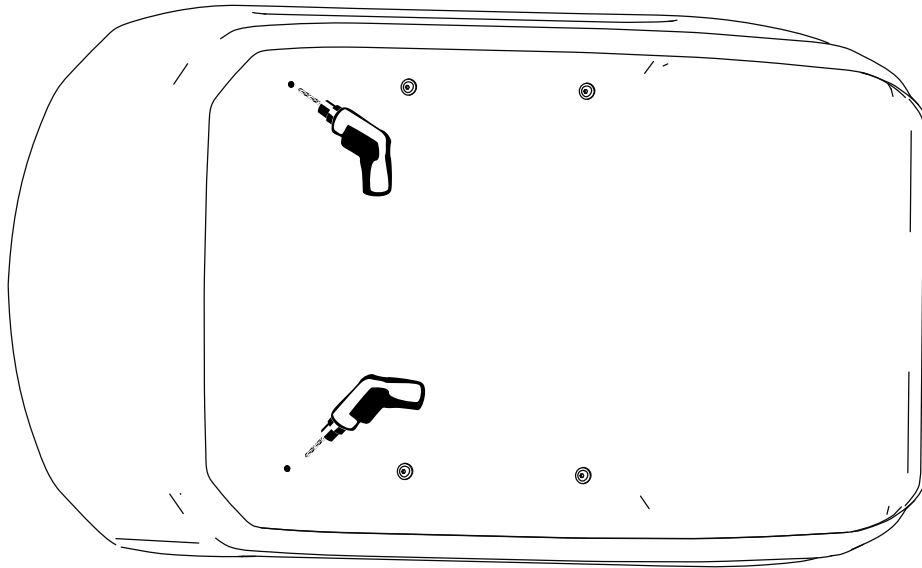


Figure 2

g322994

- Install the remaining hardware to secure the tub to the frame.

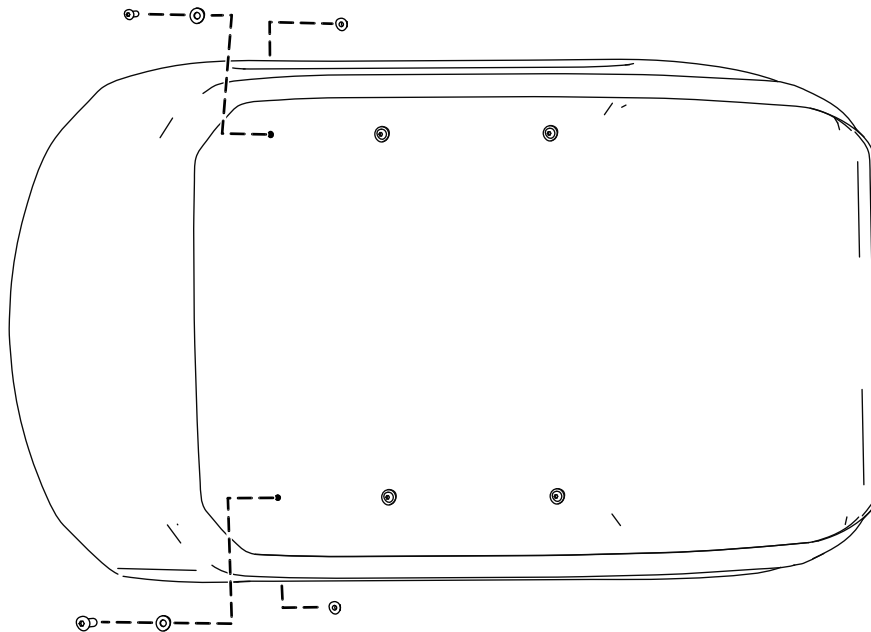


Figure 3

g322996

- Torque the bolt to 37 to 45 N·m (27 to 33 ft-lb).