



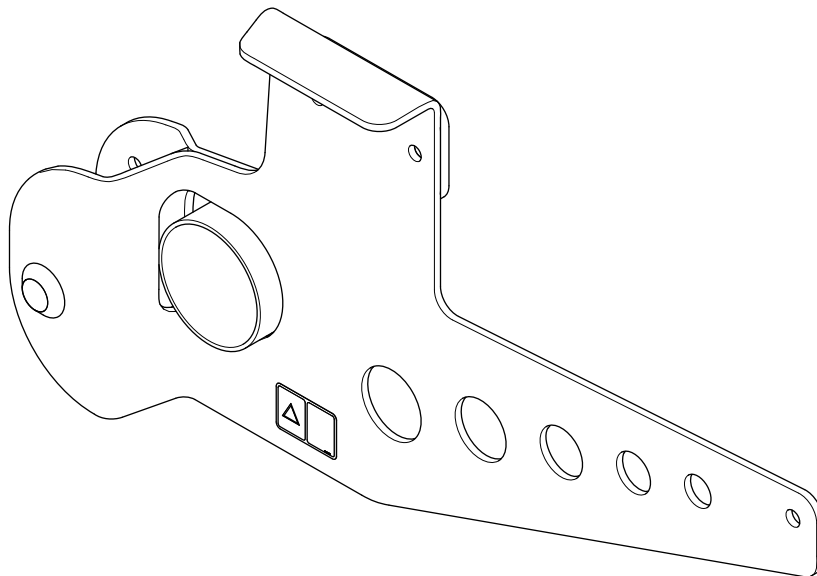
E-Z Vac™ HD Twin Bagger

Zero Turn Radius Riding Mower

Model No. 78431—Serial No. 40000000 and Up

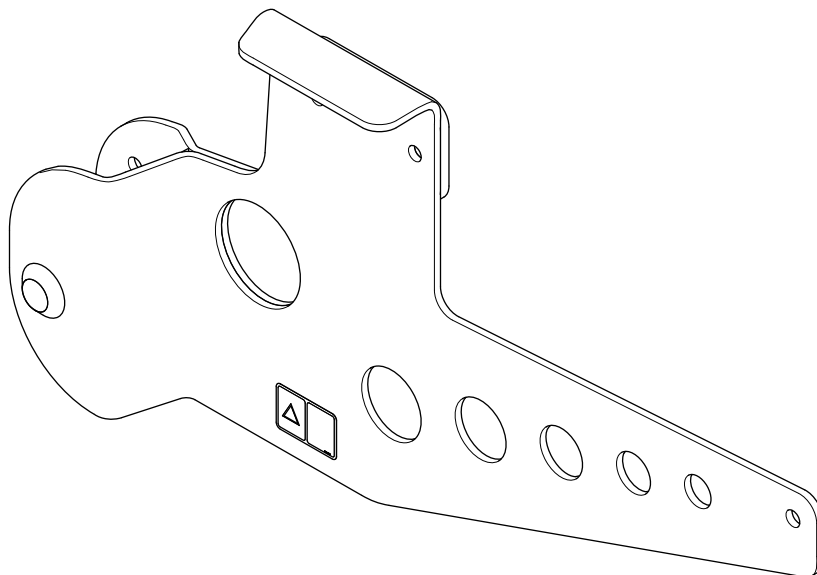
Addendum

If you are installing the E-Z Vac™ HD Twin Bagger (Toro Model 78431) on **Toro Model 77299** 60-inch Z Master® Professional 2000 Series Riding Mower, replace the bagger bracket (Toro Part 126-9660) included with the E-Z Vac™ HD Twin Bagger with the newly-supplied bagger bracket (**Toro Part 145-1995**).



Bracket 126-9660

g355466



Bracket 145-1995

g355467

