

Jack Mount Kit

Kit No. 135-1768

Installation Instructions

For Diesel Models Serial No. 402,082,300 And Higher

For All 96 Inch Gas Models

Loose Parts

Use the chart below to verify that all parts have been shipped.

Item No.	Part No.	Description	Qty
1	135-1767	Mount-Jack W/Decal	1
2	109-6795	Bolt-Carriage 3/8-16 x 5	3

Item No.	Part No.	Description	Qty
3	109-6658	Nut-Nyloc 3/8-16 Flg	3
4	135-3919-01	Spacer-Mount, Jack	1

Other Required Parts

This mount is only approved for use with Jack Kit P/N 127-6666.

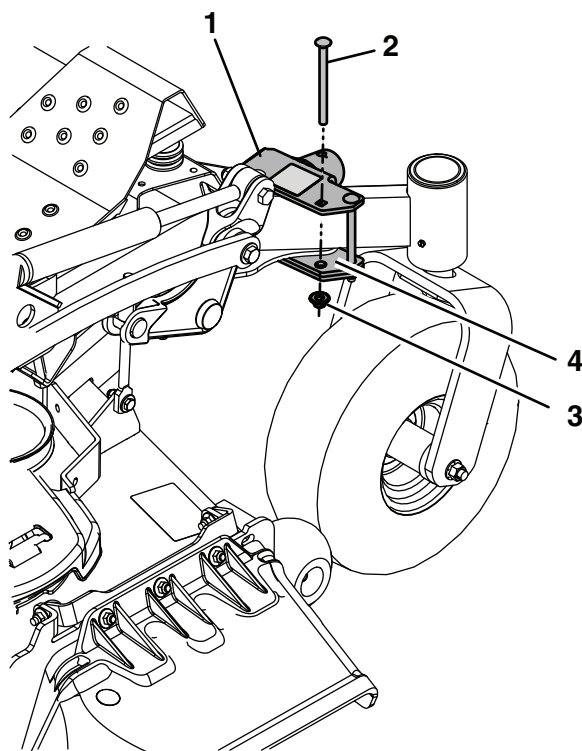


Figure 1

g364902



Safety Alert Symbol

This Safety Alert Symbol (Figure 2) is used both in this instruction sheet and on the machine to identify important safety messages which must be followed to avoid accidents

This symbol means: **ATTENTION! BECOME ALERT! YOUR SAFETY IS INVOLVED!**



g000502

Figure 2
Safety Alert Symbol

The safety alert symbol appears above information which alerts you to unsafe actions or situations and will be followed by the word **DANGER**, **WARNING**, or **CAUTION**.

DANGER: Indicates an imminently hazardous situation which, if not avoided, **Will** result in death or serious injury.

WARNING: Indicates a potentially hazardous situation which, if not avoided, **Could** result in death or serious injury.

CAUTION: Indicates a potentially hazardous situation which, if not avoided, **May** result in minor or moderate injury.

This manual uses two other words to highlight information. **Important** calls attention to special mechanical information and **Note** emphasizes general information worthy of special attention.

⚠ WARNING

While maintenance or adjustments are being made, someone could start the engine. Accidental starting of the engine could seriously injure you or other bystanders.

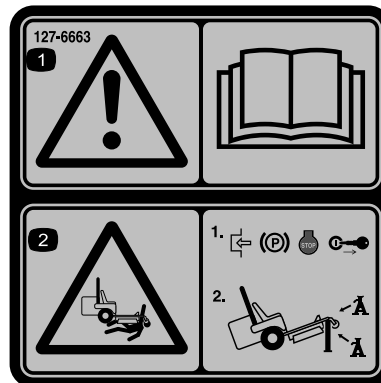
Remove the key from the ignition switch and engage parking brake before you do any maintenance.

Note: Determine the left and right sides of the machine from the normal operating position.

Note: Park the machine on a level surface. Make sure all moving parts have stopped, parking brake is engaged, and the key has been removed. Allow the machine to cool before starting these instructions.

Safety and Instructional Decals

- Keep all safety signs legible. Remove all grease, dirt and debris from safety signs and instructional labels.
- Replace all worn, damaged, or missing safety signs.
- When replacement components are installed, be sure that current safety signs are affixed to the replaced components.
- If an attachment or accessory has been installed, make sure current safety signs are visible.
- New safety signs may be obtained from your authorized equipment dealer or distributor.
- Safety signs may be affixed by peeling off the backing to expose the adhesive surface. Apply only to a clean, dry surface. Smooth to remove any air bubbles.
- Familiarize yourself with the following safety signs and instruction labels. They are critical to the safe operation of your commercial mower.



127-6663

1. Warning—read the Operator's manual.
2. Crushing hazard—
 - 1) Engage the parking brake, stop the engine, and remove the key from the ignition.
 - 2) Jack the machine using a manufacturer-approved jack, and always use jack stands.

Installation Instructions

1. Stop the engine, wait for all moving parts to stop, and remove key. Engage parking brake.
2. Align the vertical edges of the jack mount with the frame tube and gusset as shown in [Figure 3](#).

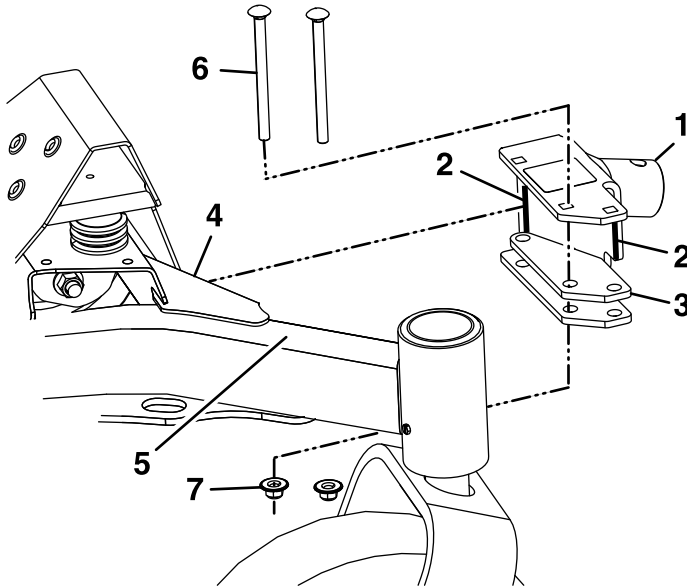


Figure 3

g248503

- | | |
|------------------|-------------------------|
| 1. Jack mount | 5. Frame |
| 2. Vertical edge | 6. 3/8-16 x 5 inch bolt |
| 3. Spacer | 7. 3/8 inch nyloc nut |
| 4. Gusset | |

3. Place the spacer between the underside of the frame and the bottom of the jack mount (reference [Figure 1](#) and [Figure 3](#)). Install the two outer 3/8-16 x 5 inch bolts and 3/8 inch nyloc nuts (reference [Figure 1](#)) and finger tighten.
4. Install the remaining bolt and nut.
 - **For All Models Except 96 Inch:**
 - A. Using a 3/8 inch bolt, align the single hole under the frame to the opening in the gusset (see [Figure 4](#)). Make sure the vertical edges of the jack mount are touching the frame and gusset and clamp or hold in place.

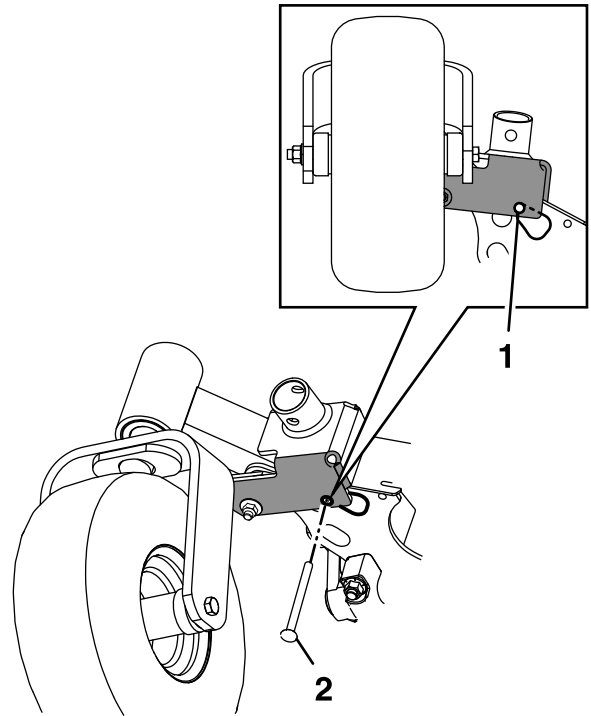


Figure 4

g248521

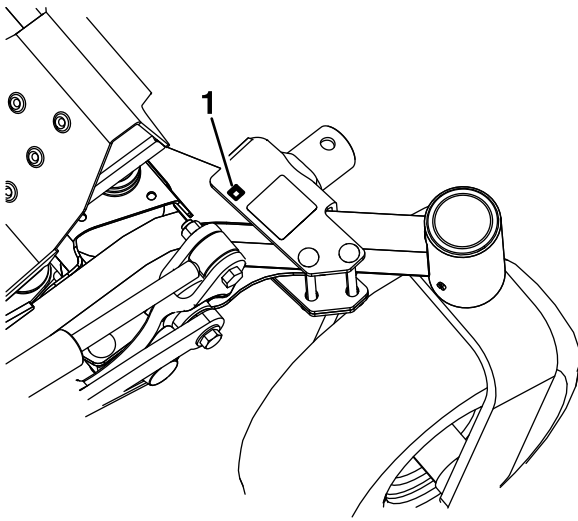
1. Bottom view-align holes
2. 3/8 inch bolt

- B. Using the top hole in the jack mount as a guide, mark the hole location on the gusset and remove the jack mount (reference [Figure 5](#)). Drill 25/64 inch diameter hole through the top of the frame gusset.

⚠ WARNING

Using a drill without proper eye protection may allow debris to enter the eye, causing injury.

When drilling or carrying out other operations, always wear eye protection.



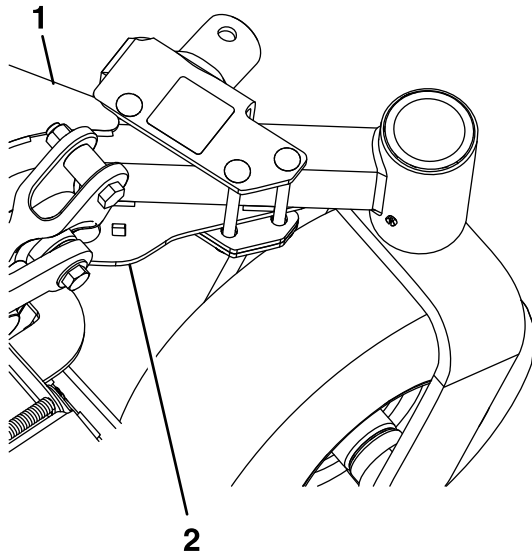
g248706

Figure 5

1. Top hole

C. Repeat steps 2 and 3. Install the remaining bolt and nut in the hole drilled in step [Figure 5](#).

- **For 96 Inch Models:** Slide the mount rearward until the jack mount is wedged against the right top frame gusset and side gusset. Install the remaining bolt and nut.



g384558

Figure 6

1. Right top frame gusset 2. Side gusset

5. Tighten all hardware.