



**Count on it.**

**Parts Catalog**

**Power Max<sup>®</sup> 826 OAE  
Snowthrower**

Model No. 38819—Serial No. 406320000 and Up



# Ordering Replacement Parts

To order replacement parts, please supply the part number, the quantity, and the description of each part desired.

## Understanding Reference Numbers

Each identified part in an illustration has a reference number. The reference number for a part also appears in the parts list, along with other information about the part.

This catalog uses two special reference number formats, one to indicate parts in a service assembly and another to indicate the quantity of a given part in an illustration.

## Service Assembly Reference Numbers

Parts in service assemblies have reference numbers in the form a:b. The a represents the reference number of the entire service assembly and the b represents a sequential number unique to each part within the service assembly.

For example, a wheel assembly might be identified by reference number 6, the tire by 6:1, the valve by 6:2, and the wheel by 6:3. When you order the assembly identified by reference number 6, you receive all parts identified by reference numbers 6:1, 6:2, and 6:3. However, you may also order any part individually. Reference numbers of this type appear in illustration and in parts lists.

## Reference Numbers Indicating Quantity

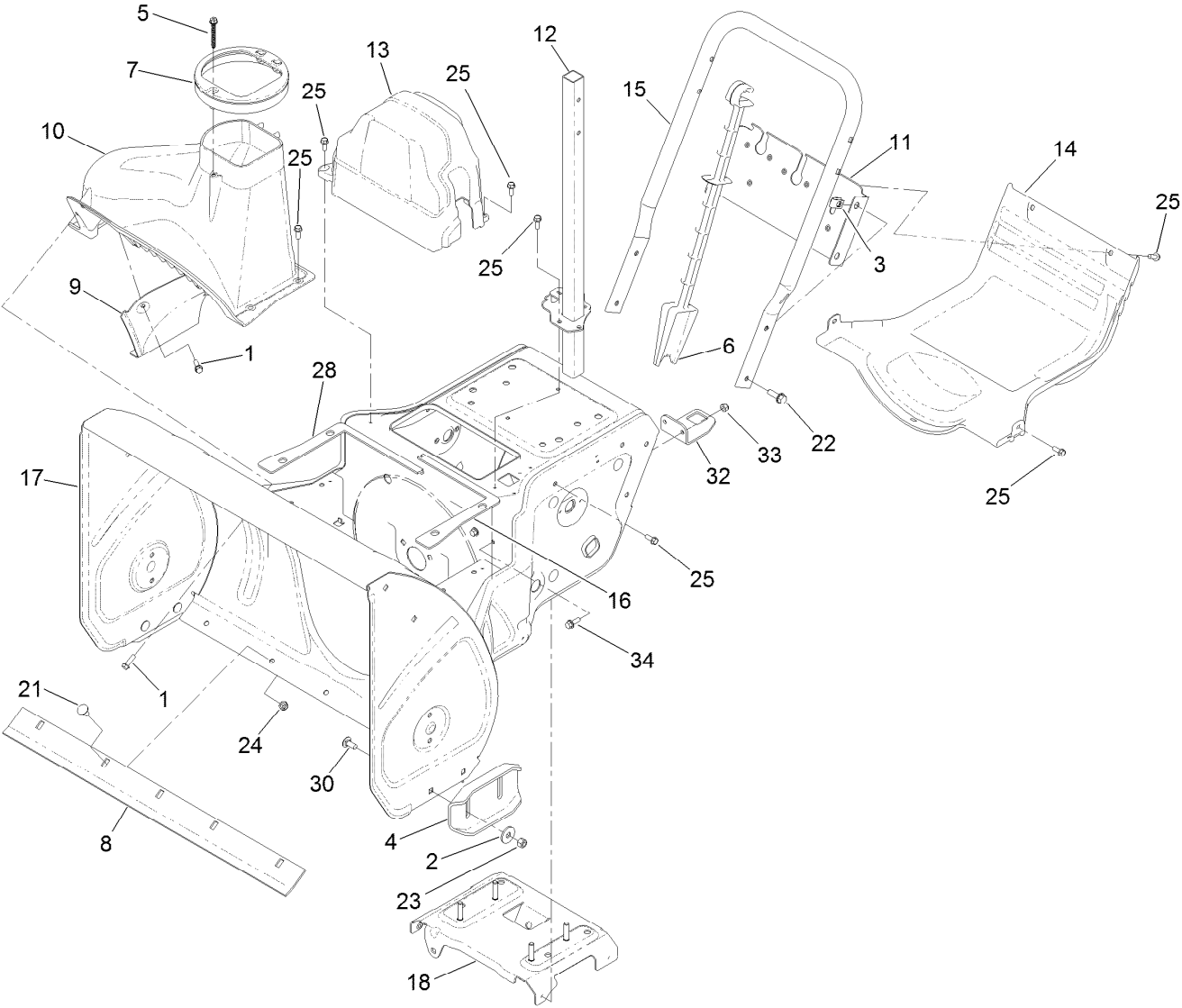
In an illustration, if a reference number indicates more than one part, the reference number has the form nX y. The n represents the quantity of the part, the X is the multiplication symbol, and the y represents the reference number.

For example, in an illustration, the reference number 2X 37 means that two of the parts identified by reference number 37 are indicated.

# Contents

Main Frame and Auger Housing Assembly .....	4
Pulley and Bellcrank Assembly .....	6
Impeller Drive Assembly .....	8
Drive Assembly .....	10
Tire and Drive Assembly .....	12
Gearbox, Auger and Impeller Assembly .....	14
26 Inch Auger Gearcase Assembly No. 119-7641 .....	16
Impeller Assembly .....	18
Engine Assembly .....	20
Fuel System and Carburetor Assembly .....	22
Intake and Exhaust Assembly .....	24
Ignition and Electrical Assembly .....	26
Crankcase Assembly .....	28
Governor Assembly .....	30
Piston and Head Assembly .....	32
Blower Housing and Shrouds Assembly .....	34
Engine Decal Assembly .....	36
Chute Assembly .....	38
Lever Chute Control Assembly .....	40
Handle Assembly .....	42
Control Assembly .....	44
Attachments and Accessories .....	46

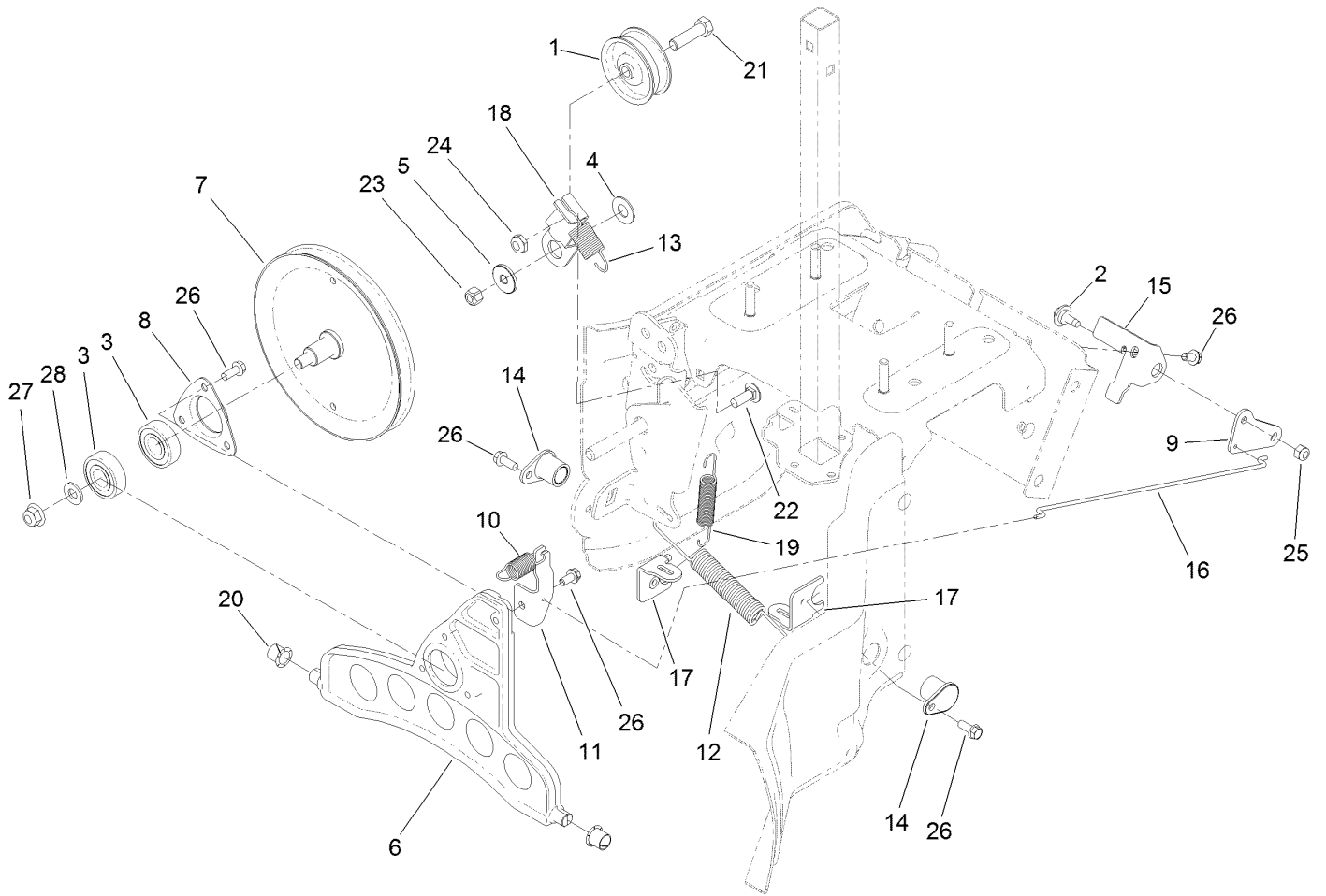
# Main Frame and Auger Housing Assembly



## Main Frame and Auger Housing Assembly (continued)

<i>Ref.</i>	<i>Part Number</i>	<i>Qty.</i>	<i>Description</i>	<i>Ref.</i>	<i>Part Number</i>	<i>Qty.</i>	<i>Description</i>
1	137-3099	6	Screw-Plastite, HWH	15	120-7179-03	1	Handle-Lower
2	119-4150	4	Washer-Flat	16	120-7181	1	Seal-Housing, LH
3	94-2413	4	Nut-U	17	139-3691	1	Frame ASM
4	106-4588-01	2	Skid	18	136-7187	1	Brace-Frame
5	137-3015	1	Screw-HWH, Plastite	21	137-3060	5	Bolt-CARR
6	121-6833	1	Stick-Cleanout	22	137-3067	4	Screw-HHF
7	138-3608	1	Guide-Chute	23	119-4038	4	Nut-Hex
8	120-3872-01	1	Scraper-26 Inch	24	137-3089	5	Nut-Hex
9	120-7158-01	1	Cover-Liner	25	32144-85	17	Screw-HWH
10	120-7159	1	Cover	28	121-6841	1	Seal-Housing, RH
11	120-7161-01	1	Brace-Frame	30	137-3061	4	Bolt-CARR
12	137-3412-03	1	Support-Chute	32	137-3410-03	1	Bracket-Post, Chute
13	120-7177	1	Cover-Belt	33	120-9678	2	Screw-HHF
14	120-7178	1	Cover-Lower	34	137-3094	2	Nut-Hex

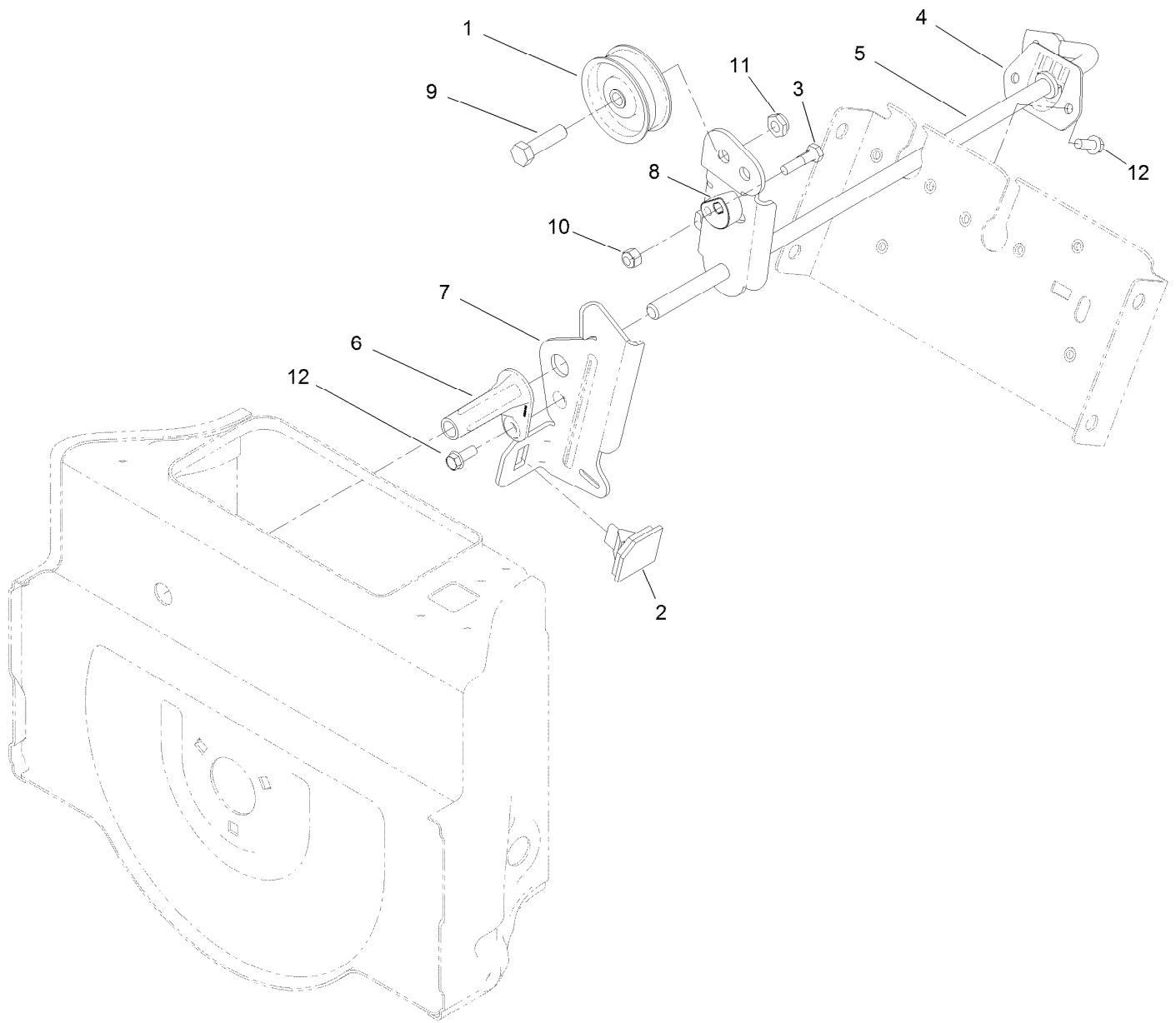
# Pulley and Bellcrank Assembly



## Pulley and Bellcrank Assembly (continued)

<i>Ref.</i>	<i>Part Number</i>	<i>Qty.</i>	<i>Description</i>	<i>Ref.</i>	<i>Part Number</i>	<i>Qty.</i>	<i>Description</i>
1	3-4244	1	Pulley-Idler	15	120-7165-03	1	Bracket-Bellcrank
2	92-9698	1	Screw-Shoulder	16	136-7155	1	Link-Drive
3	38-7820	2	Bearing-Ball	17	120-9271	2	Bracket-Anchor, Spring
4	25-5640	1	Washer	18	136-7159	1	Arm-Idler, Traction
5	117-7711	1	Bushing-Idler	19	120-9275	1	Spring-Extension
6	119-7645	1	Plate-Wheel, Friction	20	256-257	2	Bushing-Nyliner
7	136-7152	1	Traction Pulley ASM	21	137-3065	1	Screw-HH
8	136-7124	1	Retainer-Bearing	22	137-3058	1	Bolt-CARR
9	119-7670-03	1	Bellcrank-Drive	23	119-4038	1	Nut-Hex
10	136-7153	1	Spring-Extension	24	121-4600	1	Nut-Hex
11	119-7679	1	Bracket-Plate, Traction	25	137-3094	1	Nut-Hex
12	120-3883	1	Spring-Extension	26	32144-85	7	Screw-HWH
13	137-3435	1	Spring-Extension	27	119-4042	1	Nut-HF, NI
14	120-7156	2	Bushing-Plate, Traction	28	115-1166	1	Washer-Flat

# Impeller Drive Assembly





## Impeller Drive Assembly (continued)

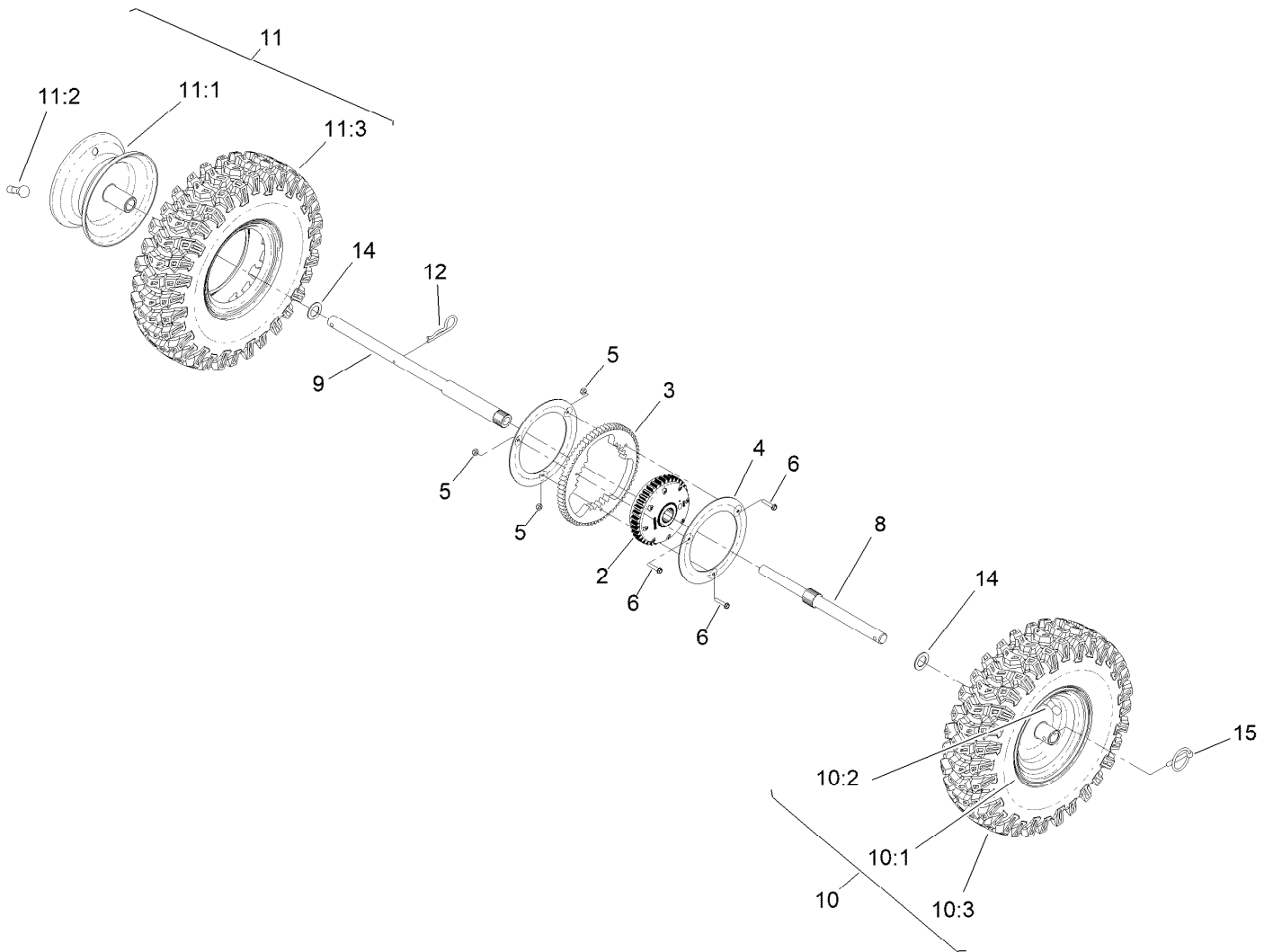
<i>Ref.</i>	<i>Part Number</i>	<i>Qty.</i>	<i>Description</i>	<i>Ref.</i>	<i>Part Number</i>	<i>Qty.</i>	<i>Description</i>
1	3-4244	1	Pulley-Idler	7	120-9257-03	1	Arm-Brake, Impeller
2	66-8060	1	Pad-Brake	8	120-9276	1	Eccentric-Brake, Impeller
3	136-8674	1	Bolt-Pivot, Eccentric	9	137-3065	1	Screw-HH
4	120-7167	1	Bushing-Rod, Clutch	10	137-3088	1	Nut-Hex
5	120-9254-03	1	Impeller Clutch ASM	11	121-4600	1	Nut-Hex
6	120-9256	1	Pivot-Brake, Impeller	12	32144-85	3	Screw-HWH



## Drive Assembly (continued)

<i>Ref.</i>	<i>Part Number</i>	<i>Qty.</i>	<i>Description</i>	<i>Ref.</i>	<i>Part Number</i>	<i>Qty.</i>	<i>Description</i>
2	119-1567	1	Wheel-Friction	13	120-7191	1	Retainer-Plate, Shift
4	120-7950	3	Screw-Torx	14	120-7193-03	1	Shift Plate ASM
6	119-7615	1	Shaft-Hex	15	136-7158	2	Retainer-Bearing
7	119-7616	1	Gear-Pinion, 8 Tooth	21	32121-9	1	Pin-Roll, Slotted
8	121-6835	3	Bearing-Ball	22	32144-85	6	Screw-HWH
9	119-7630	1	Trunnion	23	32144-86	1	Screw-HWHTF
10	119-7684	1	Spacer-Plate, Shift	24	121-6840	2	Washer-Rubber
11	120-7162	2	Bushing-Axle	25	48-9220	1	Washer-Plain

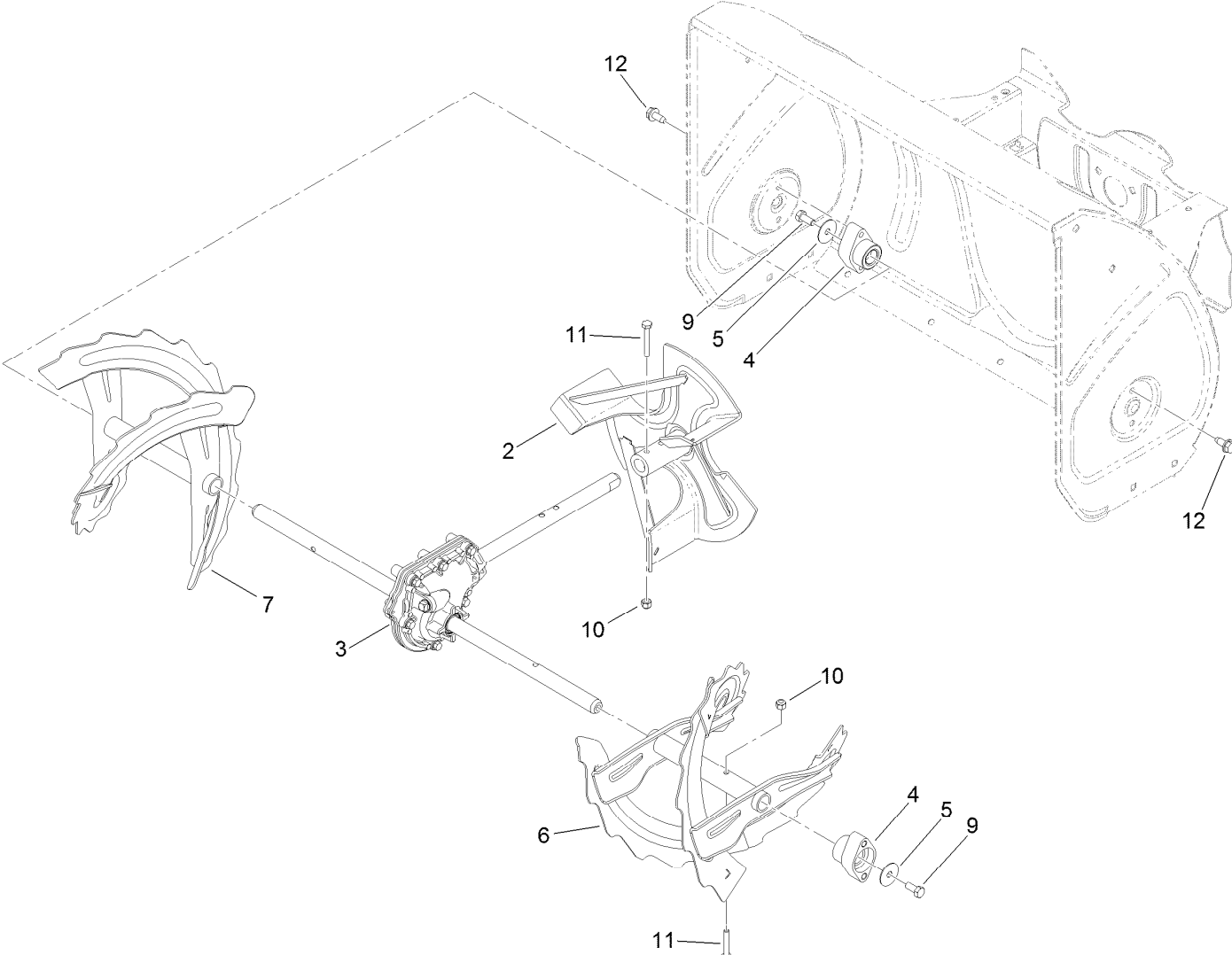
# Tire and Drive Assembly



## Tire and Drive Assembly (continued)

<i>Ref.</i>	<i>Part Number</i>	<i>Qty.</i>	<i>Description</i>	<i>Ref.</i>	<i>Part Number</i>	<i>Qty.</i>	<i>Description</i>
2	130-9776	1	Transmission	10:2	232-27	1	Stem-Valve
3	130-9786	1	Gear-Axle	10:3	138-3668	1	Tire
4	130-9798-03	2	Plate-Gear	11	138-3659	1	RH Wheel And Tire ASM
5	137-3085	3	Nut-Hex	11:1	138-3669	1	Wheel (15X4 Tire)
6	131-6456	3	Screw-HWH	11:2	232-27	1	Stem-Valve
8	140-3746	1	Axle-Lt, Cts	11:3	138-3668	1	Tire
9	140-3742	1	Axle-Rt, Cts	12	3290-343	1	Pin-Hair
10	138-3660	1	LH Wheel And Tire ASM	14	3-8664	2	Washer-Thrust
10:1	138-3669	1	Wheel (15X4 Tire)	15	107-3039	2	Pin-Lynch

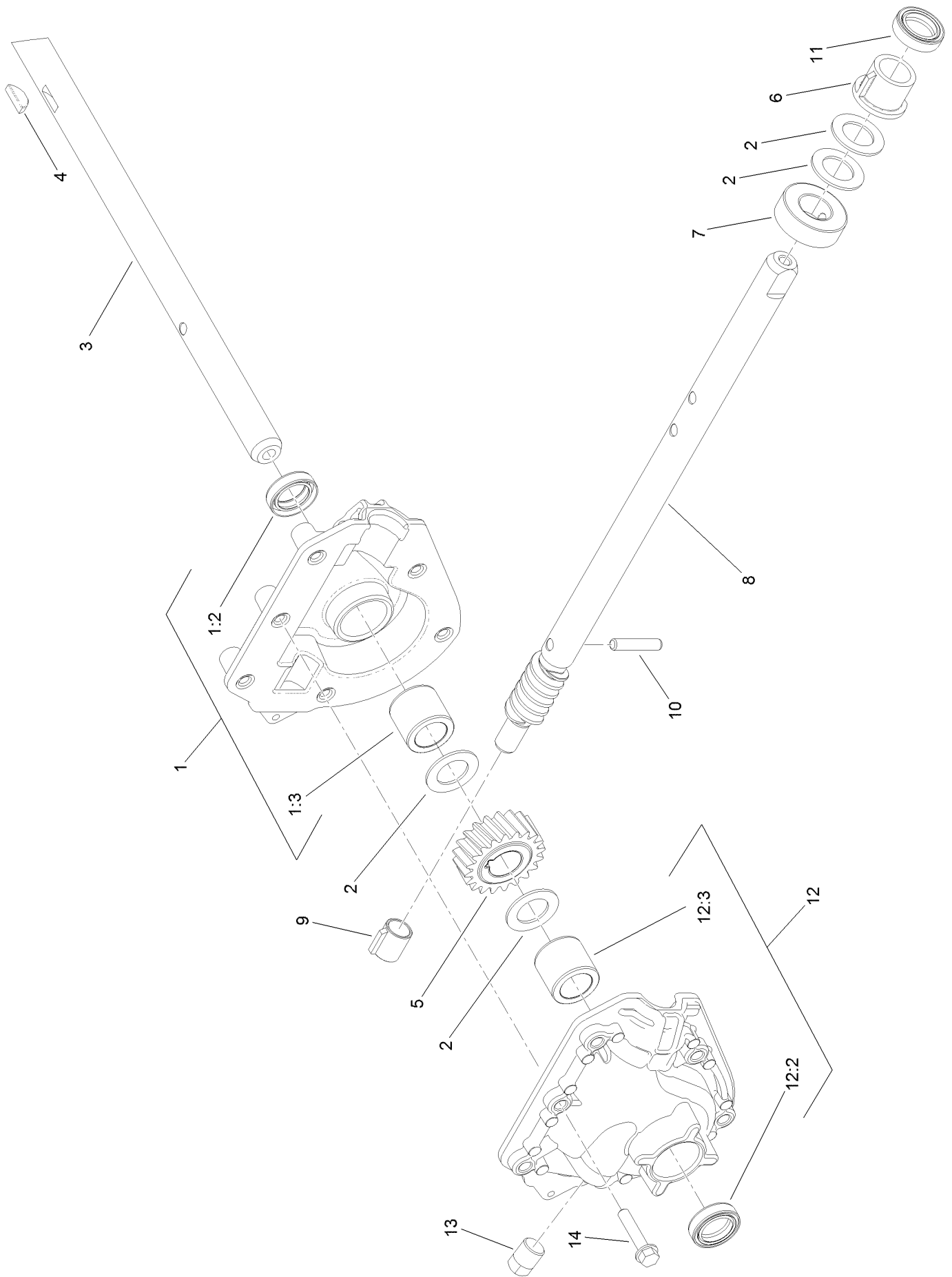
# Gearbox, Auger and Impeller Assembly



## Gearbox, Auger and Impeller Assembly (continued)

<i>Ref.</i>	<i>Part Number</i>	<i>Qty.</i>	<i>Description</i>	<i>Ref.</i>	<i>Part Number</i>	<i>Qty.</i>	<i>Description</i>
2	119-7612-03	1	Impeller ASM	7	120-9290-03	1	RH Auger ASM
3	119-7641	1	Gearcase ASM	9	137-3052	2	Screw-HH
4	120-3860	2	Bearing-Augur	10	137-3088	4	Nut-Hex
5	120-3862	2	Washer-Thrust	11	05010	4	Bolt
6	120-9287-03	1	LH Auger ASM	12	32144-70	4	Screw-HWHTF

# 26 Inch Auger Gearcase Assembly No. 119-7641

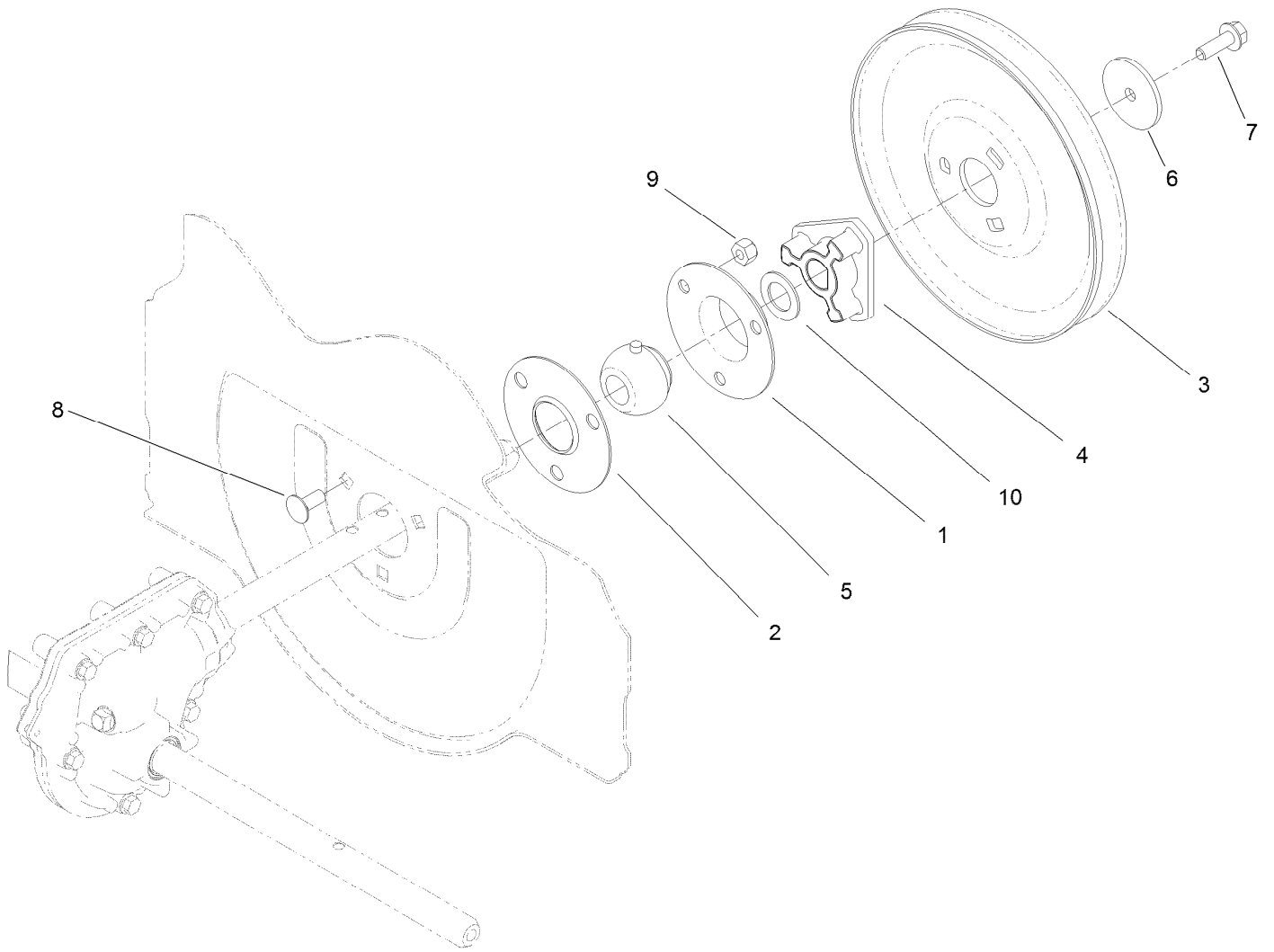




## 26 Inch Auger Gearcase Assembly No. 119-7641 (continued)

<i>Ref.</i>	<i>Part Number</i>	<i>Qty.</i>	<i>Description</i>	<i>Ref.</i>	<i>Part Number</i>	<i>Qty.</i>	<i>Description</i>
1	121-1209	1	RH Auger Gearcase ASM	8	121-1234	1	Shaft-Impeller, Rolled
1:2	121-6634	1	Seal-Shaft	9	62-1150	1	Bushing-Worm
1:3	120-9269	1	Bushing-Sleeve	10	107-8899	1	Pin-Dowel
2	119-7640	4	Washer-Thrust	11	121-6634	1	Seal-Shaft
3	119-7639	1	Shaft-Output, Auger	12	121-1210	1	LH Auger Gearcase ASM
4	3257-5	1	Key-Woodruff	12:2	121-6634	1	Seal-Shaft
5	119-1576	1	Gear-Helical, 20 Tooth	12:3	120-9269	1	Bushing-Sleeve
6	119-7635	1	Bushing-Input	13	121-6832	1	Plug-Pipe, SQH
7	119-7636	1	Collar-Thrust	14	108-4862	6	Screw-HWH Thd Roll

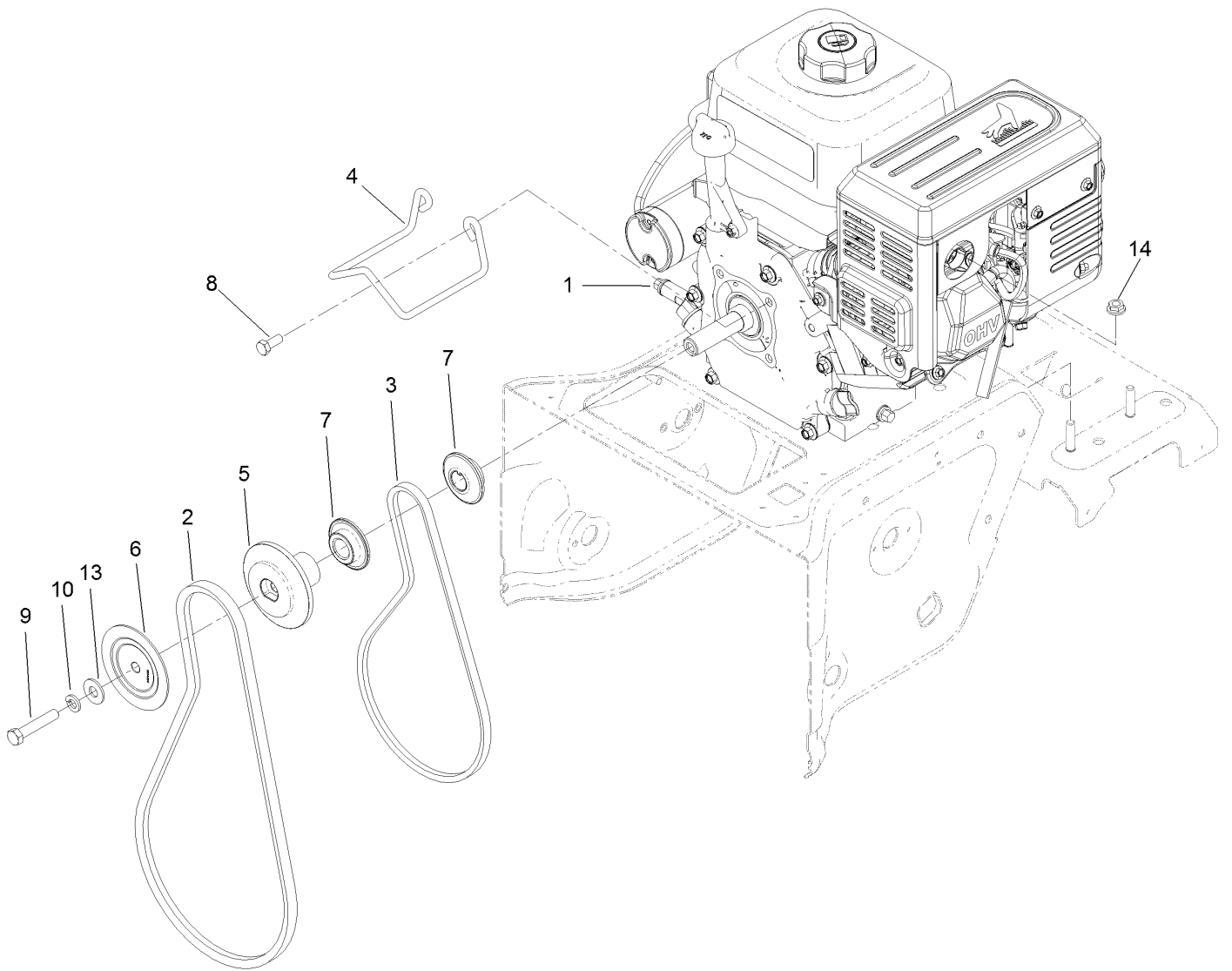
# Impeller Assembly



## Impeller Assembly (continued)

<i>Ref.</i>	<i>Part Number</i>	<i>Qty.</i>	<i>Description</i>	<i>Ref.</i>	<i>Part Number</i>	<i>Qty.</i>	<i>Description</i>
1	26-6110	1	Flange-Cup, Bearing	6	137-3121	1	Washer-Plain
2	26-6120	1	Flange-Cup, Bearing	7	115-5142	1	Screw-HHF
3	136-7157	1	Pulley-Impeller	8	137-3061	3	Bolt-CARR
4	120-9264	1	Hub-Impeller, Pulley	9	119-4038	3	Nut-Hex
5	120-9272	1	Bearing	10	119-7640	1	Washer-Thrust

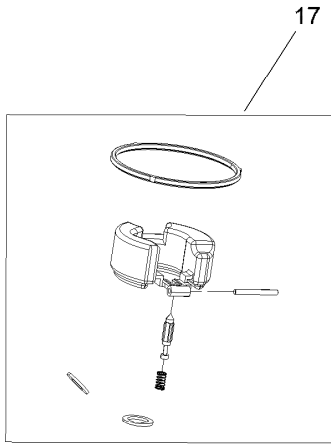
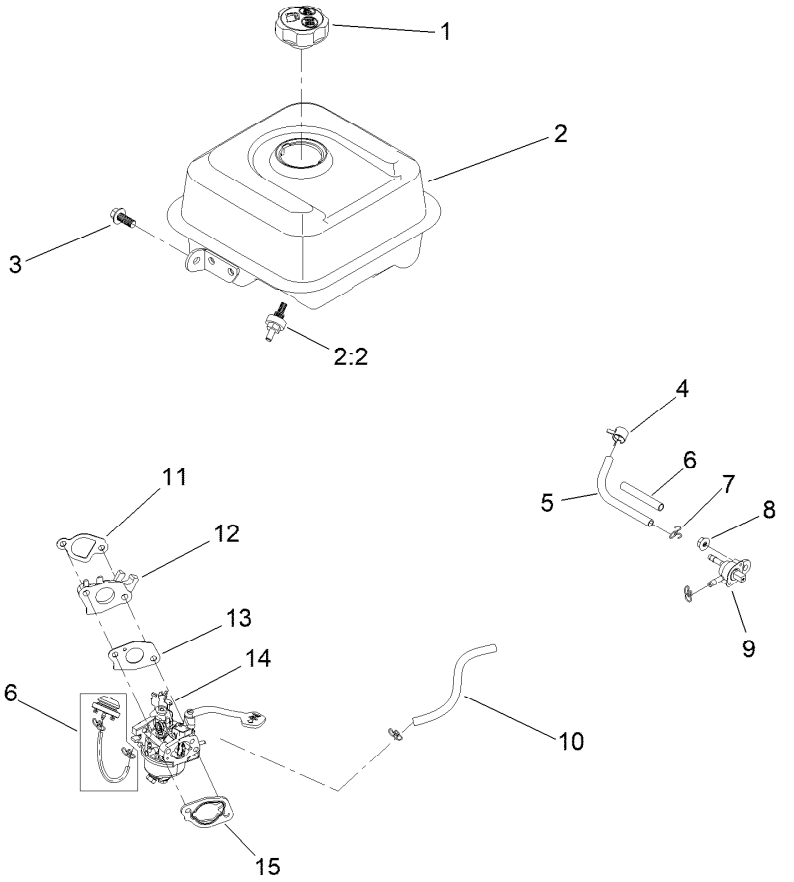
# Engine Assembly



## Engine Assembly (continued)

<i>Ref.</i>	<i>Part Number</i>	<i>Qty.</i>	<i>Description</i>	<i>Ref.</i>	<i>Part Number</i>	<i>Qty.</i>	<i>Description</i>
1	139-0729	1	Engine-G250Fds-1	7	137-3400	2	Pulley-Engine, Traction
2	120-3892	1	Belt-V	8	138-0690	2	Screw-HH
3	120-3893	1	Belt-V	9	120-2302	1	Screw-HH
4	136-7156	1	Guide-Belt	10	3253-21	1	Washer-Lock
5	120-9283	1	Pulley-Auger, Rear	13	137-3078	1	Washer-Plain
6	120-9284	1	Pulley-Auger, Front	14	137-3039	4	Nut-HF

# Fuel System and Carburetor Assembly

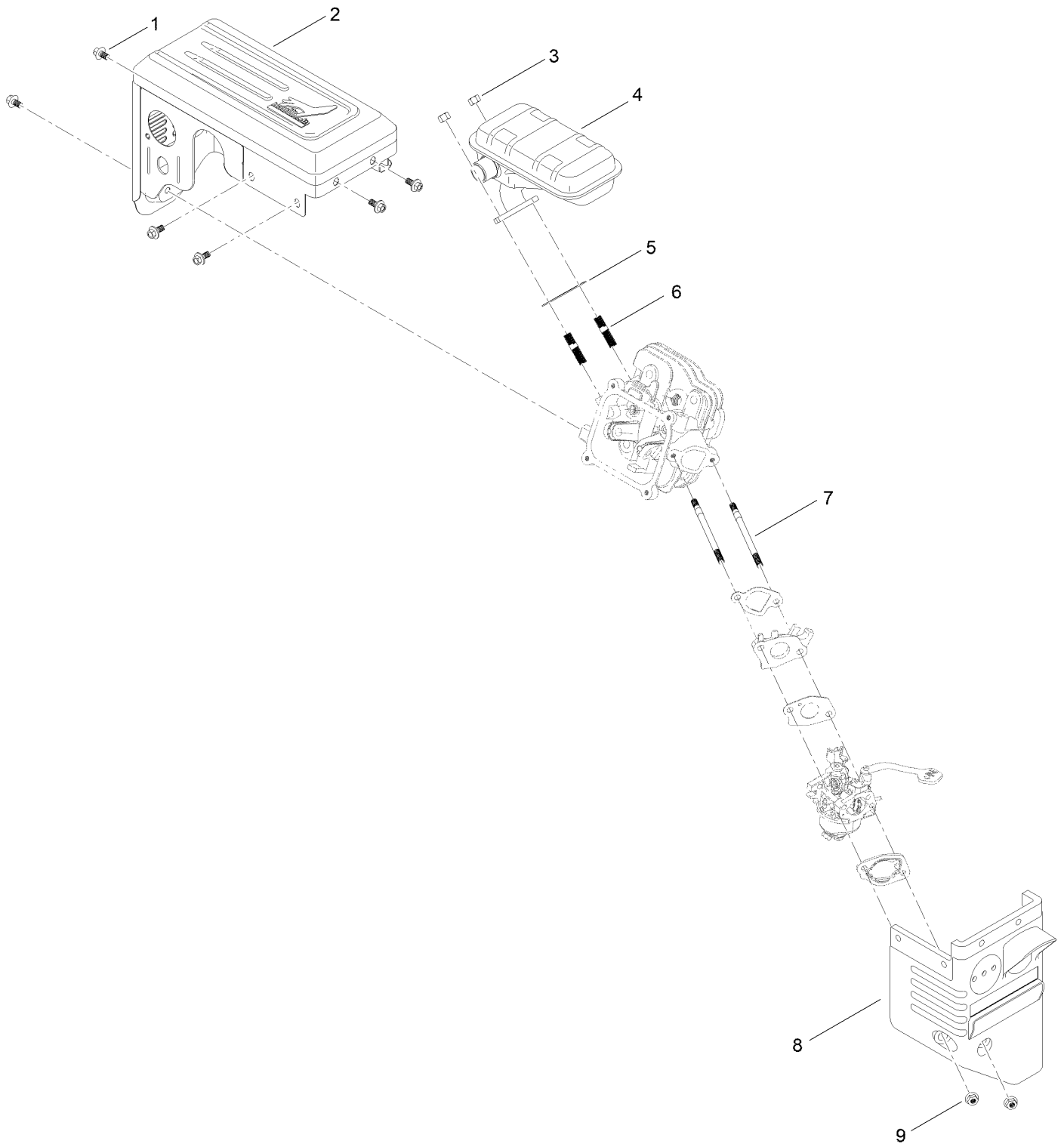


## Fuel System and Carburetor Assembly (continued)

<i>Ref.</i>	<i>Part Number</i>	<i>Qty.</i>	<i>Description</i>	<i>Ref.</i>	<i>Part Number</i>	<i>Qty.</i>	<i>Description</i>
1	133-9823	1	Cap-Fuel	10	127-9489	1	Hose-Fuel
2	133-1553	1	Fuel Tank And Filter ASM	11	133-1531	1	Gasket-Carburetor
2:2	127-9065	1	Filter-Fuel	12	133-1532	1	Insulator-Carburetor
3	121-0294	1	Screw-HHF	13	133-1533	1	Gasket-Carburetor
4	127-9120	1	Clamp-Hose	14	144-0951	1	Carburetor ASM
5	133-1556	1	Hose-Fuel	15	121-0080	1	Gasket-Carburetor
6	133-9997	1	Sleeve-Abrasion	16	127-9079	1	Primer Kit
7	121-0087	3	Clamp-Hose	17	127-9395	1	Internal Carb Service Kit
8	120-4236	1	Nut-Flange	99	144-0967	1	High Altitude Kit ●
9	127-9117	1	Valve-Fuel				

● Not illustrated

# Intake and Exhaust Assembly

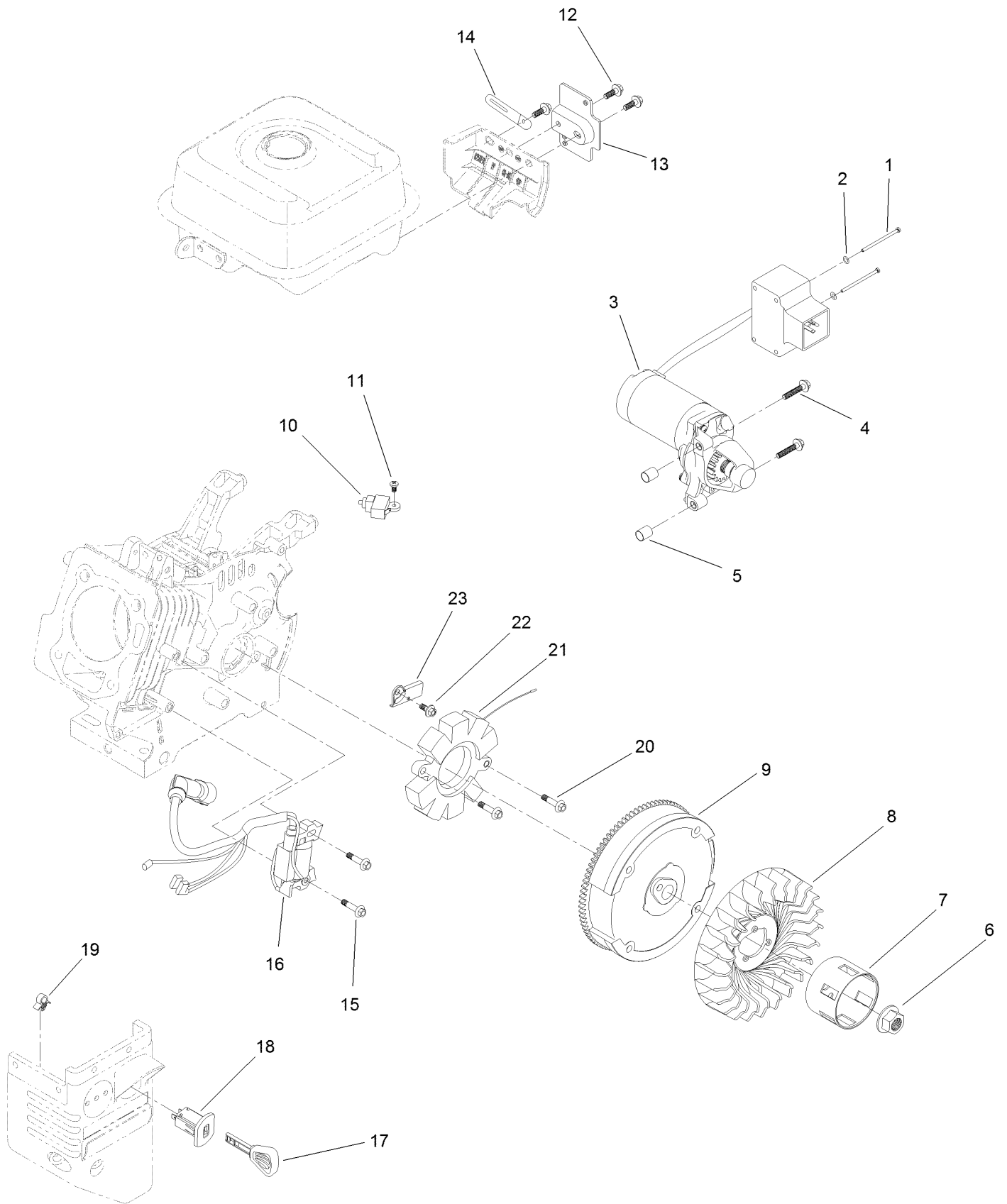




## Intake and Exhaust Assembly (continued)

<i>Ref.</i>	<i>Part Number</i>	<i>Qty.</i>	<i>Description</i>	<i>Ref.</i>	<i>Part Number</i>	<i>Qty.</i>	<i>Description</i>
1	121-0294	6	Screw-HHF	6	121-0464	2	Stud-Exhaust
2	127-9491	1	Muffler Cover ASM	7	121-4112	2	Stud-Intake
3	121-0199	2	Nut-HH	8	139-0747	1	Box-Heater
4	127-9490	1	Muffler ASM	9	121-0308	2	Nut-Flange
5	133-1539	1	Gasket-Exhaust				

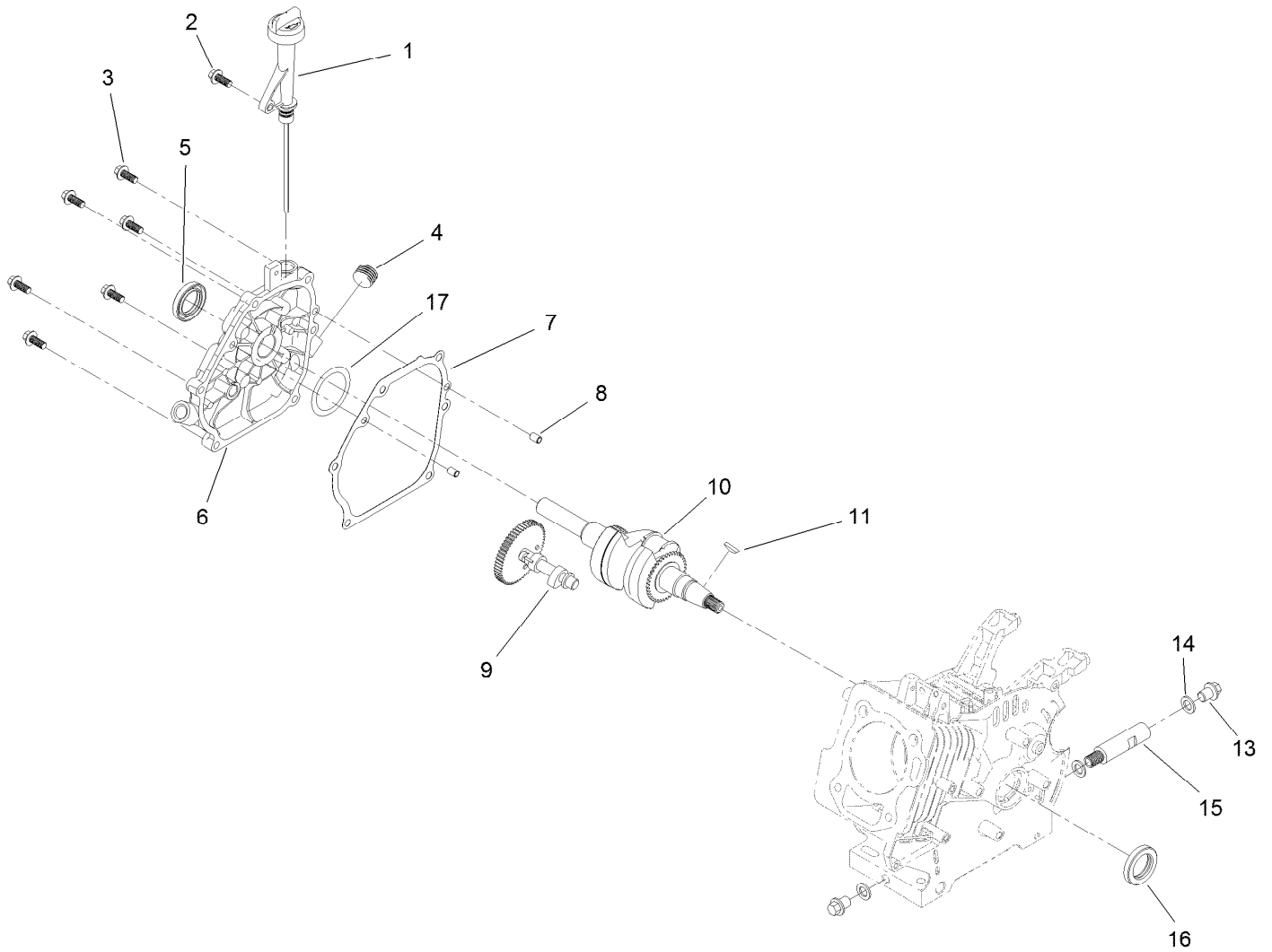
# Ignition and Electrical Assembly



## Ignition and Electrical Assembly (continued)

<i>Ref.</i>	<i>Part Number</i>	<i>Qty.</i>	<i>Description</i>	<i>Ref.</i>	<i>Part Number</i>	<i>Qty.</i>	<i>Description</i>
1	121-0306	2	Screw-Bhp	13	133-1554	1	Bracket-Switchbox, Starter
2	121-0312	2	Washer-Plain	14	121-0017	1	Clip-Harness, Wire
3	133-9999	1	Motor-Starter	15	121-0097	2	Screw-HHF
4	133-1546	2	Screw-Flange	16	133-9996	1	Ignition Coil ASM
5	121-0055	2	Pin-Dowel	17	117-7728	1	Key
6	121-0047	1	Nut-Flange	18	121-0283	1	Switch-Key
7	133-1527	1	Cup-Starter	19	121-0326	1	Clip
8	133-1526	1	Fan-Cooling	20	121-0196	2	Screw-HHF
9	127-9484	1	Flywheel ASM	21	127-9485	1	Alternator
10	121-0284	1	Switch-Kill, Engine	22	121-0116	1	Screw-HHF
11	120-4461	1	Screw-PPH	23	127-9486	1	Clamp-Wire, Charge
12	127-9123	3	Screw-HHF				

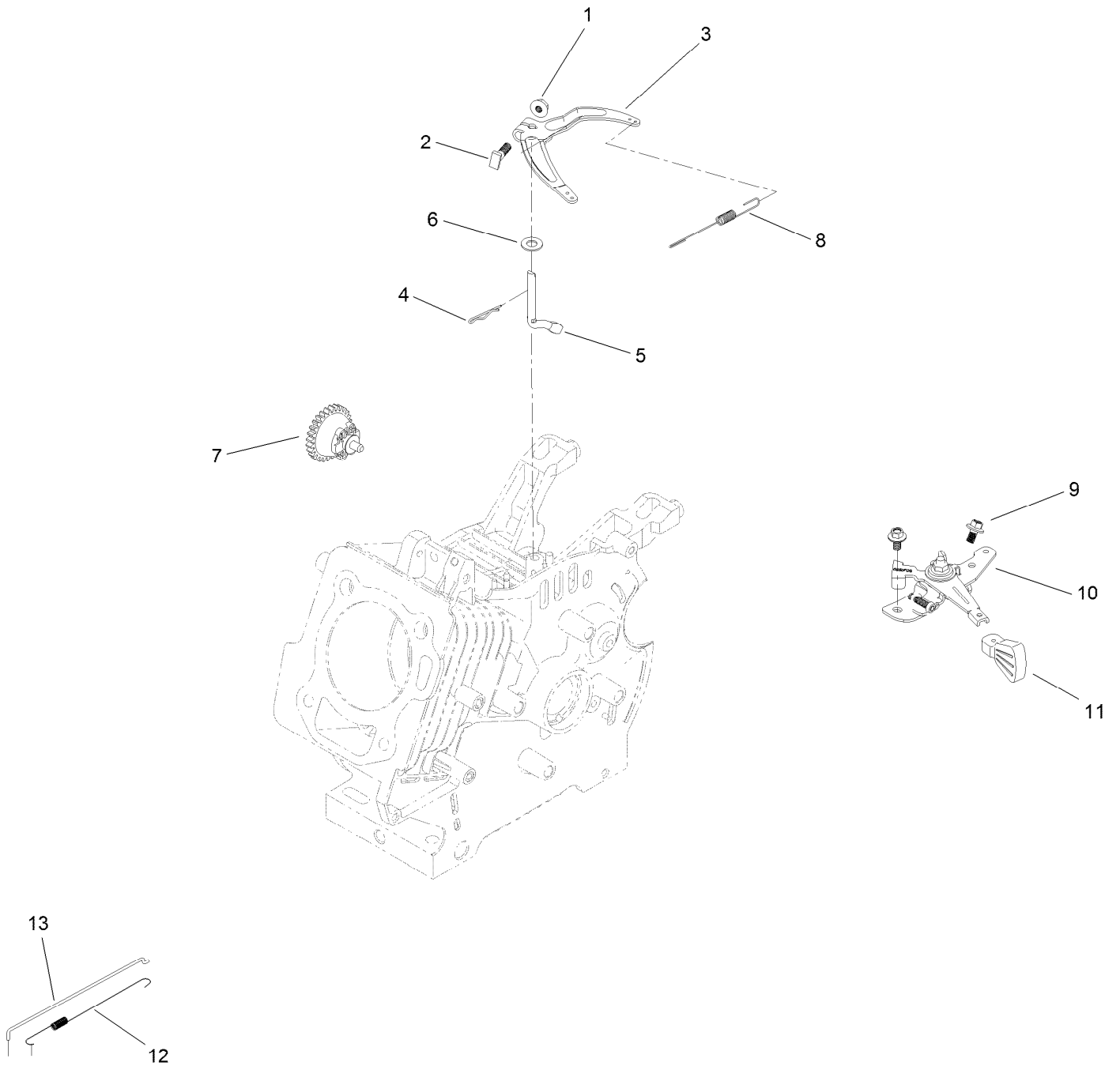
# Crankcase Assembly



## Crankcase Assembly (continued)

<i>Ref.</i>	<i>Part Number</i>	<i>Qty.</i>	<i>Description</i>	<i>Ref.</i>	<i>Part Number</i>	<i>Qty.</i>	<i>Description</i>
1	139-0734	1	Oil Fill ASM	9	133-9991	1	Camshaft ASM
2	127-9123	1	Screw-HHF	10	127-9495	1	Crankshaft
3	121-4114	6	Screw-HHF	11	120-4320	1	Key-Woodruff
4	133-9805	1	Plug-Drain	13	121-0030	2	Screw-HHF
5	133-1516	1	Seal-Oil	14	121-0048	3	Washer-Plain
6	133-9865	1	Cover-Crankcase	15	127-9104	1	Tube-Drain, Oil
7	127-9493	1	Gasket-Cover, Crankcase	16	133-9864	1	Seal-Oil
8	121-0054	2	Pin-Dowel	17	133-9863	1	Washer-Thrust

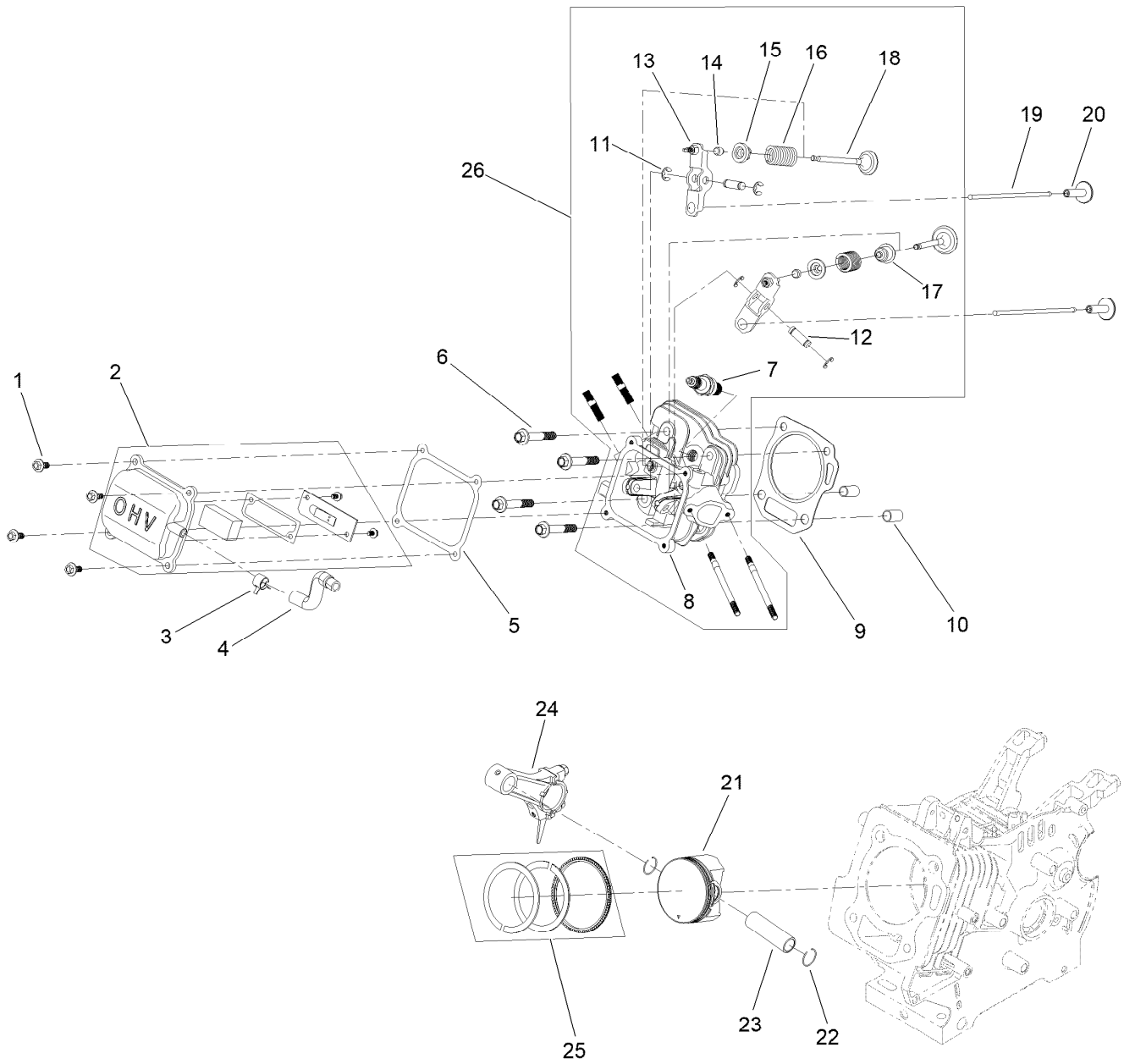
# Governor Assembly



## Governor Assembly (continued)

<i>Ref.</i>	<i>Part Number</i>	<i>Qty.</i>	<i>Description</i>	<i>Ref.</i>	<i>Part Number</i>	<i>Qty.</i>	<i>Description</i>
1	120-4236	1	Nut-Flange	8	127-9483	1	Spring-Governor
2	120-4238	1	Bolt-Arm, Governor	9	121-0116	2	Screw-HHF
3	127-9482	1	Arm-Governor	10	133-1555	1	Throttle Control ASM
4	120-4256	1	Pin-Hair	11	121-0269	1	Knob-Control, Throttle
5	133-9995	1	Shaft-Governor	12	133-1536	1	Spring-Return, Throttle
6	121-0498	1	Washer-Plain	13	133-1535	1	Rod-Governor
7	127-9994	1	Glass-Door, RH				

# Piston and Head Assembly

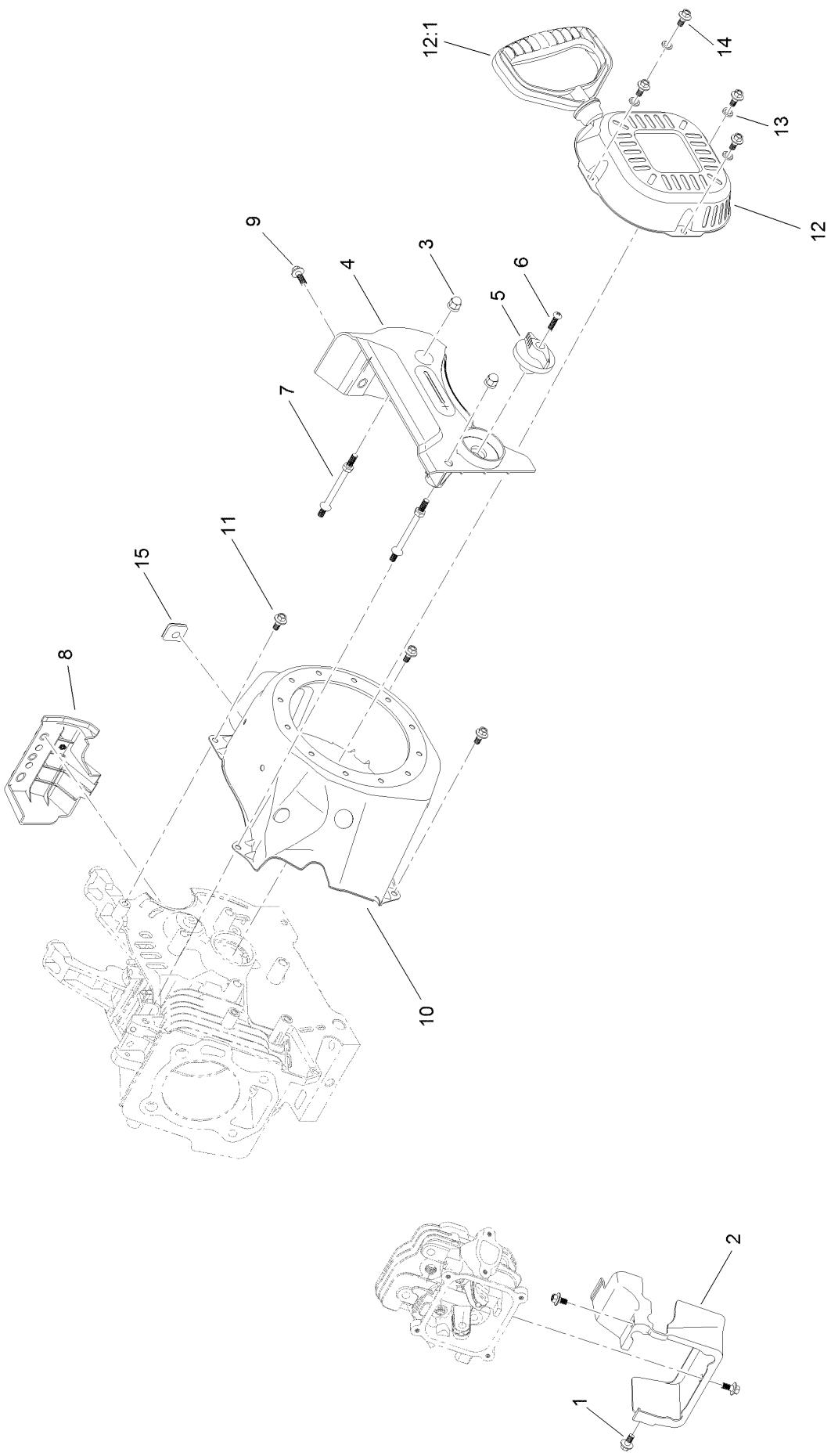




## Piston and Head Assembly (continued)

<i>Ref.</i>	<i>Part Number</i>	<i>Qty.</i>	<i>Description</i>	<i>Ref.</i>	<i>Part Number</i>	<i>Qty.</i>	<i>Description</i>
1	120-4454	4	Screw-HHF	14	121-4116	2	Rotator-Valve
2	133-1500	1	Valve Cover ASM	15	121-4117	2	Retainer-Spring, Valve
3	133-1558	1	Clamp-Hose	16	127-9014	2	Spring-Valve
4	144-0950	1	Tube-Breather	17	121-4202	1	Seal-Stem, Valve
5	133-1507	1	Gasket-Cover, Valve	18	133-1515	1	Set-Valve
6	133-1508	4	Screw-Flange	19	133-1514	2	Rod-Push
7	81-3250	1	Spark Plug	20	127-9015	2	Tappet-Valve
8	133-1509	1	Head-Cylinder	21	133-1522	1	Piston
9	133-1510	1	Gasket-Head	22	121-0313	2	Clip-Pin, Piston
10	120-4200	2	Pin-Dowel	23	121-4128	1	Pin-Piston
11	133-1511	4	E-Clip	24	121-4123	1	Connecting Rod ASM
12	133-1512	2	Pin-Arm, Rocker	25	133-1521	1	Set-Ring, Piston
13	133-1513	2	Rocker Arm ASM	26	133-9867	1	Complete Head ASM

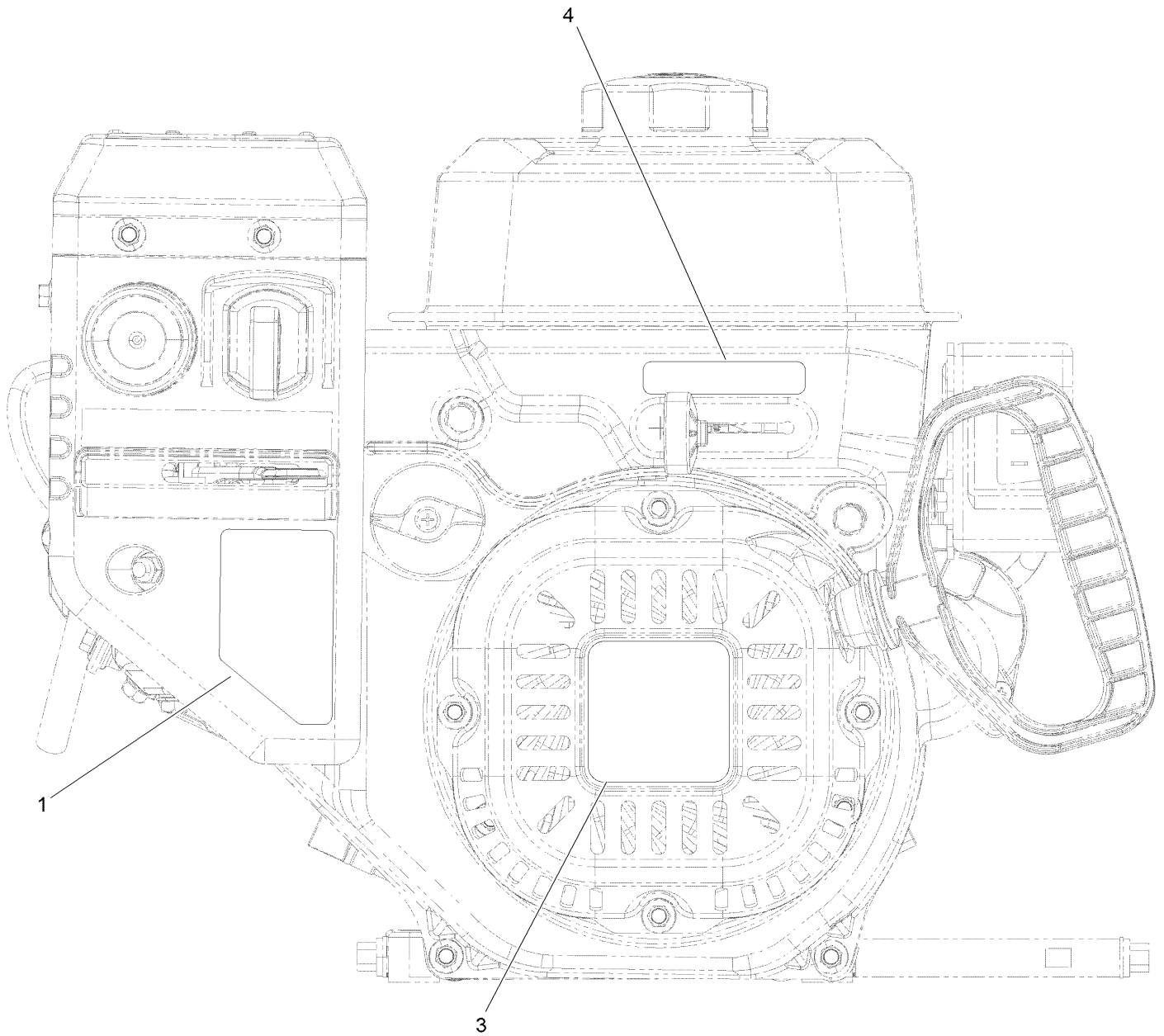
# Blower Housing and Shrouds Assembly



## Blower Housing and Shrouds Assembly (continued)

<i>Ref.</i>	<i>Part Number</i>	<i>Qty.</i>	<i>Description</i>	<i>Ref.</i>	<i>Part Number</i>	<i>Qty.</i>	<i>Description</i>
1	121-0116	3	Screw-HHF	9	127-9123	1	Screw-HHF
2	133-1530	1	Shroud-Head	10	133-1528	1	Shroud-Flywheel
3	127-9383	2	Nut-Acorn	11	121-0294	3	Screw-HHF
4	133-1557	1	Panel-Control, Front	12	127-9487	1	Recoil ASM
5	121-0268	1	Knob-Valve, Fuel	12:1	121-0287	1	Handle-Recoil
6	121-0305	1	Screw-Bhp	13	127-9380	4	Washer-Plain
7	127-9110	2	Stud-Mount	14	127-9031	4	Screw-HHF
8	133-1543	1	Panel-Side, Engine	15	133-1548	1	Grommet-Rubber

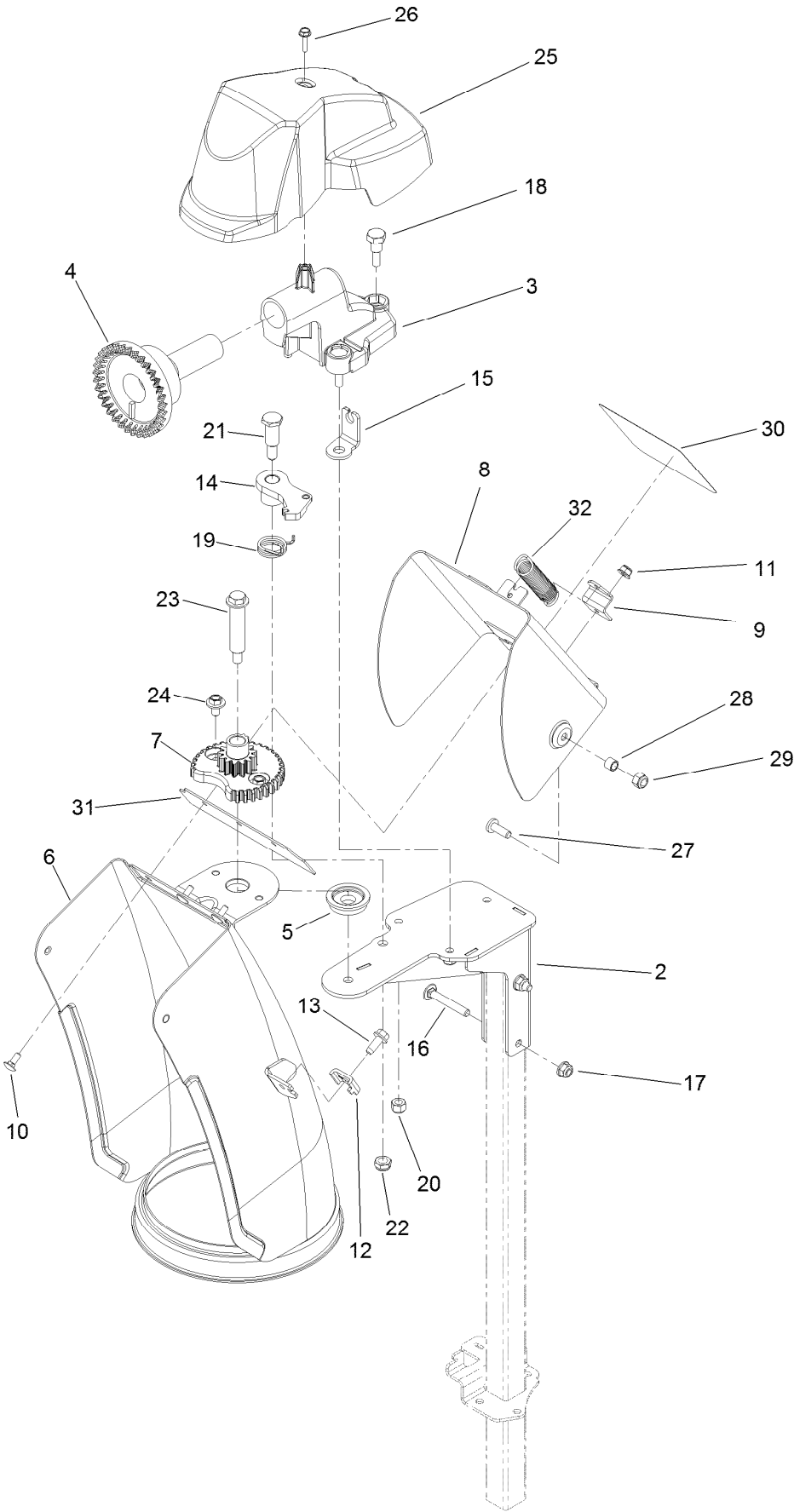
# Engine Decal Assembly



## Engine Decal Assembly (continued)

<i>Ref.</i>	<i>Part Number</i>	<i>Qty.</i>	<i>Description</i>
1	120-9805	1	Decal-Control, Engine
3	131-5912	1	Decal-Recoil, G250
4	131-6487	1	Decal-Throttle

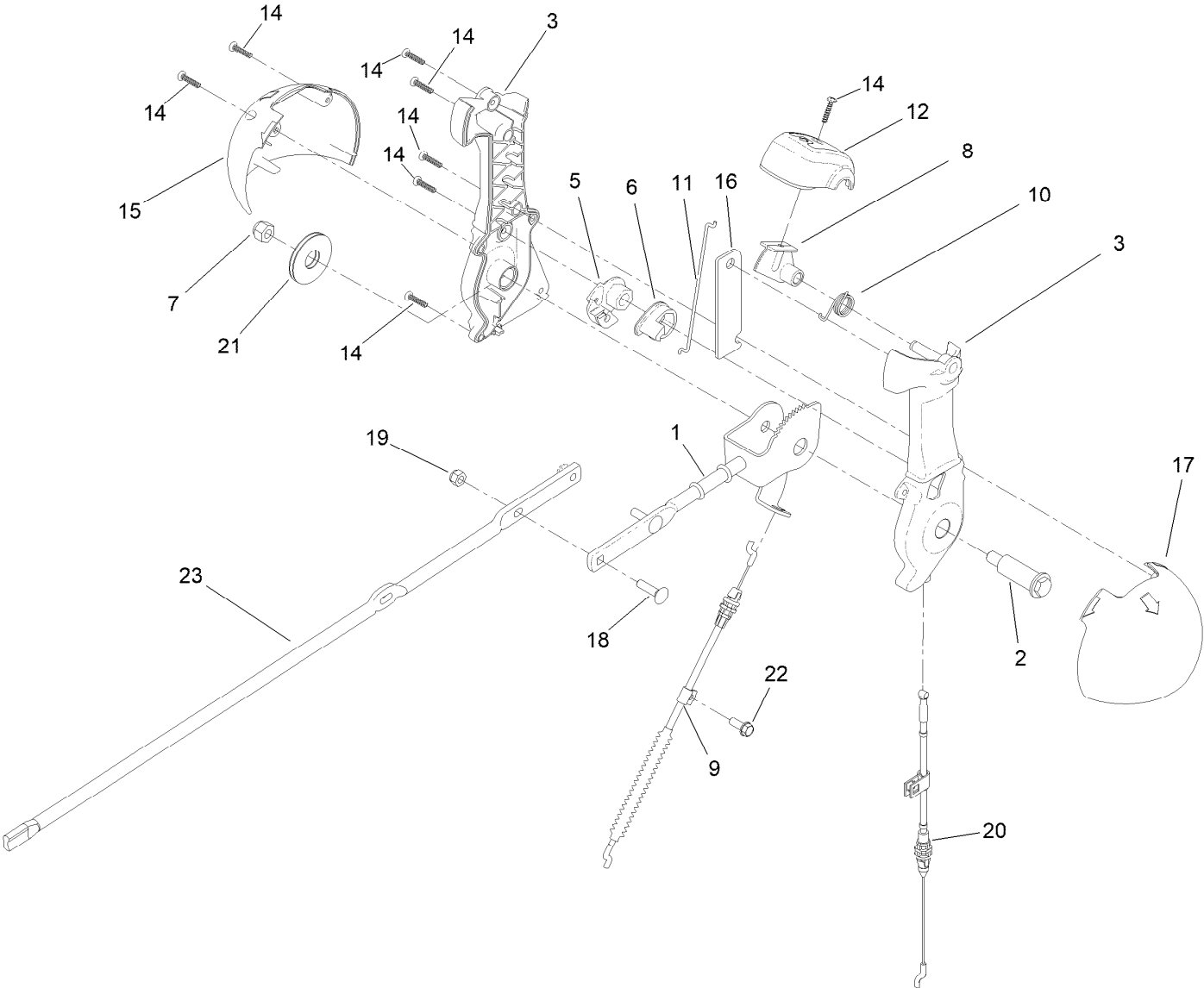
# Chute Assembly



## Chute Assembly (continued)

<i>Ref.</i>	<i>Part Number</i>	<i>Qty.</i>	<i>Description</i>	<i>Ref.</i>	<i>Part Number</i>	<i>Qty.</i>	<i>Description</i>
2	138-3605-03	1	Support-Chute	18	136-7197	3	Screw-Shoulder
3	138-3606	1	Mount-Gear, Face	19	108-7315	1	Spring-Torsion
4	106-4471	1	Gear-Face	20	137-3088	3	Nut-Hex
5	106-4422	1	Spacer-Chute	21	137-3103	1	Screw-Shoulder, HH
6	138-3611-01	1	Chute	22	137-3089	3	Nut-Hex
7	106-4472	1	Gear-Chute	23	136-7199	1	Bolt-Shoulder
8	138-3615-01	1	Deflector	24	46-6810	2	Screw And Washer ASM
9	138-3612-01	1	Bracket-Spring	25	138-3627	1	Cover-Chute, Gear
10	135-1929	3	Bolt-CARR	26	98-1375	1	Screw-HWH
11	138-0719	3	Nut-HF	27	138-0689	1	Screw-PH
12	136-7191	1	Clamp-Cable	28	138-3678	1	Spacer
13	137-3043	1	Screw-HWH	29	137-3094	1	Nut-Hex
14	106-4476	1	Latch-Chute	30	137-6198	1	Decal-Danger
15	138-3607	1	Anchor-Cable	31	138-3671	1	Gasket-Deflector
16	120-9698	2	Bolt-CARR	32	138-8493	1	Spring-Chute, Upper
17	119-4040	2	Nut-Flange, NI				

# Lever Chute Control Assembly





## Lever Chute Control Assembly (continued)

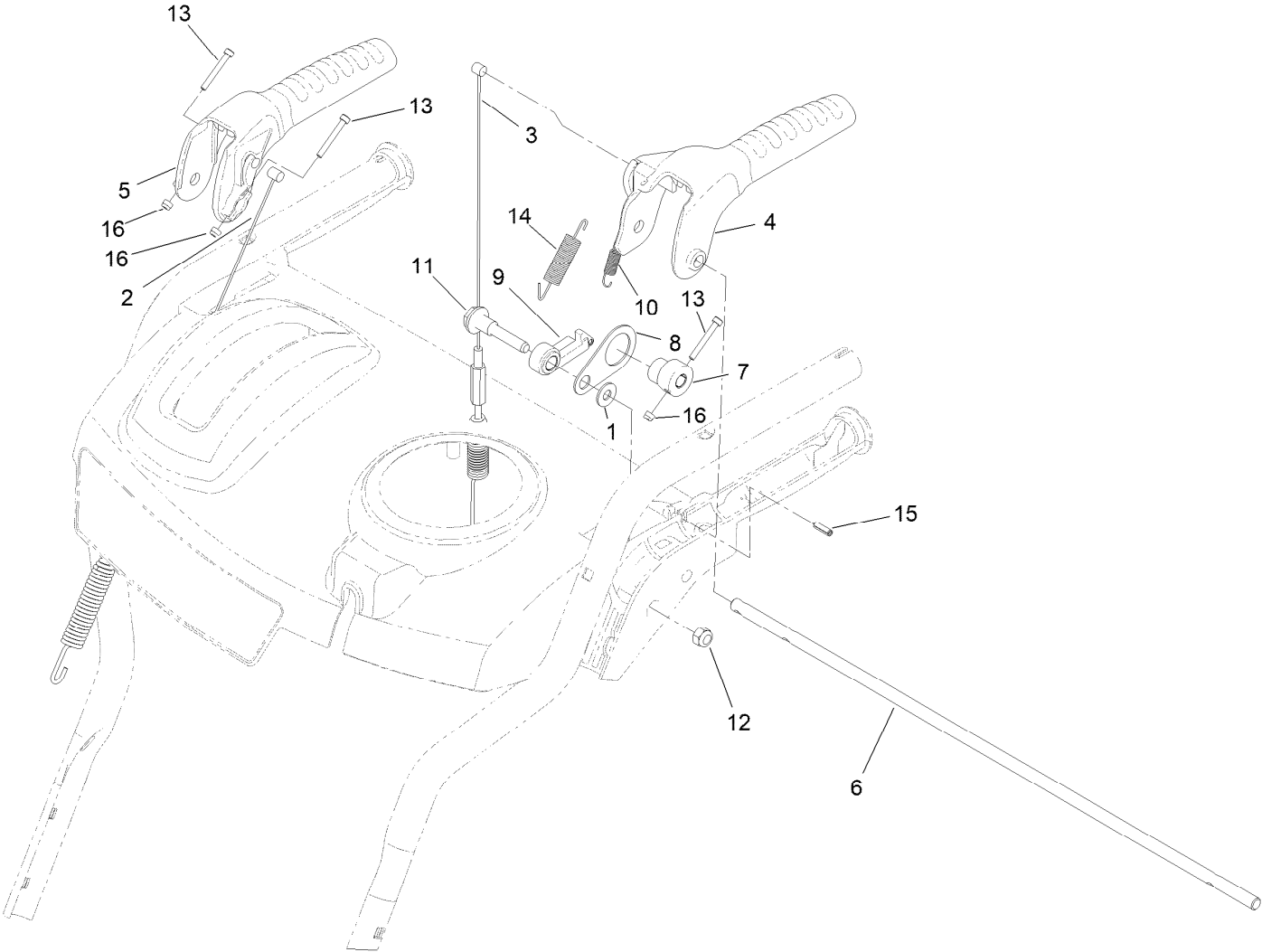
<i>Ref.</i>	<i>Part Number</i>	<i>Qty.</i>	<i>Description</i>	<i>Ref.</i>	<i>Part Number</i>	<i>Qty.</i>	<i>Description</i>
1	138-0662	1	Rod-Control, Chute	14	94-4496	8	Screw-PPH
2	138-0659	1	Screw-Shoulder, HWH	15	136-6677	1	Globe-Quickstick, RH
3	139-1552	1	Chute Control Lever ASM	16	136-6632	1	Plate-Stiffner
5	105-9988	1	Lever-Cable, Deflector	17	136-6678	1	Globe-Quickstick, LH
6	106-7310	1	Pawl-Latch	18	137-3056	3	Bolt-CARR
7	137-3087	1	Nut-Hex	19	137-3094	3	Nut-Hex
8	137-6238	1	Trigger-Latch	20	139-9902	1	Cable-Release, Chute
9	138-3672	1	Cable-Control, Deflector	21	138-0744	1	Washer-Friction, Composite
10	105-9982	1	Spring-Torsion	22	32144-85	1	Screw-HWH
11	138-0688	1	Link-Latch	23	138-3635	1	Rod-Chute
12	137-6239	1	Cap-Lever				



## Handle Assembly (continued)

<i>Ref.</i>	<i>Part Number</i>	<i>Qty.</i>	<i>Description</i>	<i>Ref.</i>	<i>Part Number</i>	<i>Qty.</i>	<i>Description</i>
1	137-3101	3	Screw-Plastic, HWH	21	137-3083	2	Pin-Hair
2	137-3103	1	Screw-Shoulder, HH	22	94-4496	1	Screw-PPH
3	105-9999	1	Knob-Shift, LH	23	137-3093	8	Nut-Hex
4	106-4423	1	Knob-Shift, RH	24	137-3094	2	Nut-Hex
6	137-3009	4	Washer-Cup	25	137-3038	1	Nut-HF
7	137-3107	8	Screw-Handle	26	46-8093	4	Screw-Plastite
8	136-7121	1	Spring-Compression	27	105-9987	2	Support-Rod
9	136-7193	1	Trunnion-Rod	28	139-3693	1	Decal-Console
12	120-7173-03	1	Handle-Upper, LH	30	120-2301-03	1	Plate-Support, Shift
13	120-7174-03	1	Handle-Upper, RH	31	138-0670	1	LED Light ASM
14	138-8487	1	Control Panel ASM	32	136-7120	1	Clamp-Light
14:4	121-1240	1	Decal-Safety	33	137-3072	2	Washer-Flat
15	138-3676-03	1	Support-Panel, Control	34	127-5961-03	1	Bracket-Light
16	120-9258-03	1	Mount-Selector, Speed	35	138-3658	1	Harness-Wire
17	136-7163	1	Rod-Selector, Gear	36	614249	1	Tie-Cable
18	121-1242-03	1	Selector-Speed	37	3230-19	1	Bolt-CARR
20	131-8667	3	Washer-Thrust	38	137-3089	1	Nut-Hex

# Control Assembly



## Control Assembly (continued)

<i>Ref.</i>	<i>Part Number</i>	<i>Qty.</i>	<i>Description</i>	<i>Ref.</i>	<i>Part Number</i>	<i>Qty.</i>	<i>Description</i>
1	98-3499	1	Washer-Flat	9	121-1205	1	Latch-Lockout
2	121-6812	1	Cable-Auger	10	136-7161	1	Spring-Lockout, Handle
3	121-6813	1	Cable-Traction	11	136-7194	1	Screw-Shoulder
4	121-1200	1	Handle-Control, Traction	12	137-3093	1	Nut-Hex
5	121-1201	1	Handle-Control, Auger	13	139-3694	3	Screw-HSH
6	136-7125	1	Rod-Lockout	14	136-7162	1	Spring-Return, Lever
7	121-1203	1	Cam-Lockout	15	32121-2	1	Pin-Roll, Slotted
8	136-7160	1	Link-Lockout	16	140-3749	3	Nut-Lock Rohs

# Attachments and Accessories

## For 38819 Power Max 826 OAE Snowthrower

<b>Product Name</b>	<b>Model/Part</b>
Weight Kit .....	107-3815
Snow Cab Kit.....	127-5960
Engine Maintenance Kit.....	138-0702
Non-Marking Skid Kit.....	38211
Heavy-Duty Skid Kit.....	38212
Drift Breaker Kit .....	38213
Toro Snow Oil 0W30 Synthetic 20-Ounce Bottle .....	38913
Toro 2-Stage Cover.....	490-7466
Plain 2-Stage Cover.....	490-7467

**Notes:**



**Count on it.**