



Count on it.

Parts Catalog

Greensmaster® 1026

Mower

Model No. 04840—Serial No. 408000000 and Up



Ordering Replacement Parts

To order replacement parts, please supply the part number, the quantity, and the description of each part desired.

Understanding Reference Numbers

Each identified part in an illustration has a reference number. The reference number for a part also appears in the parts list, along with other information about the part.

This catalog uses two special reference number formats, one to indicate parts in a service assembly and another to indicate the quantity of a given part in an illustration.

Service Assembly Reference Numbers

Parts in service assemblies have reference numbers in the form a:b. The a represents the reference number of the entire service assembly and the b represents a sequential number unique to each part within the service assembly.

For example, a wheel assembly might be identified by reference number 6, the tire by 6:1, the valve by 6:2, and the wheel by 6:3. When you order the assembly identified by reference number 6, you receive all parts identified by reference numbers 6:1, 6:2, and 6:3. However, you may also order any part individually. Reference numbers of this type appear in illustration and in parts lists.

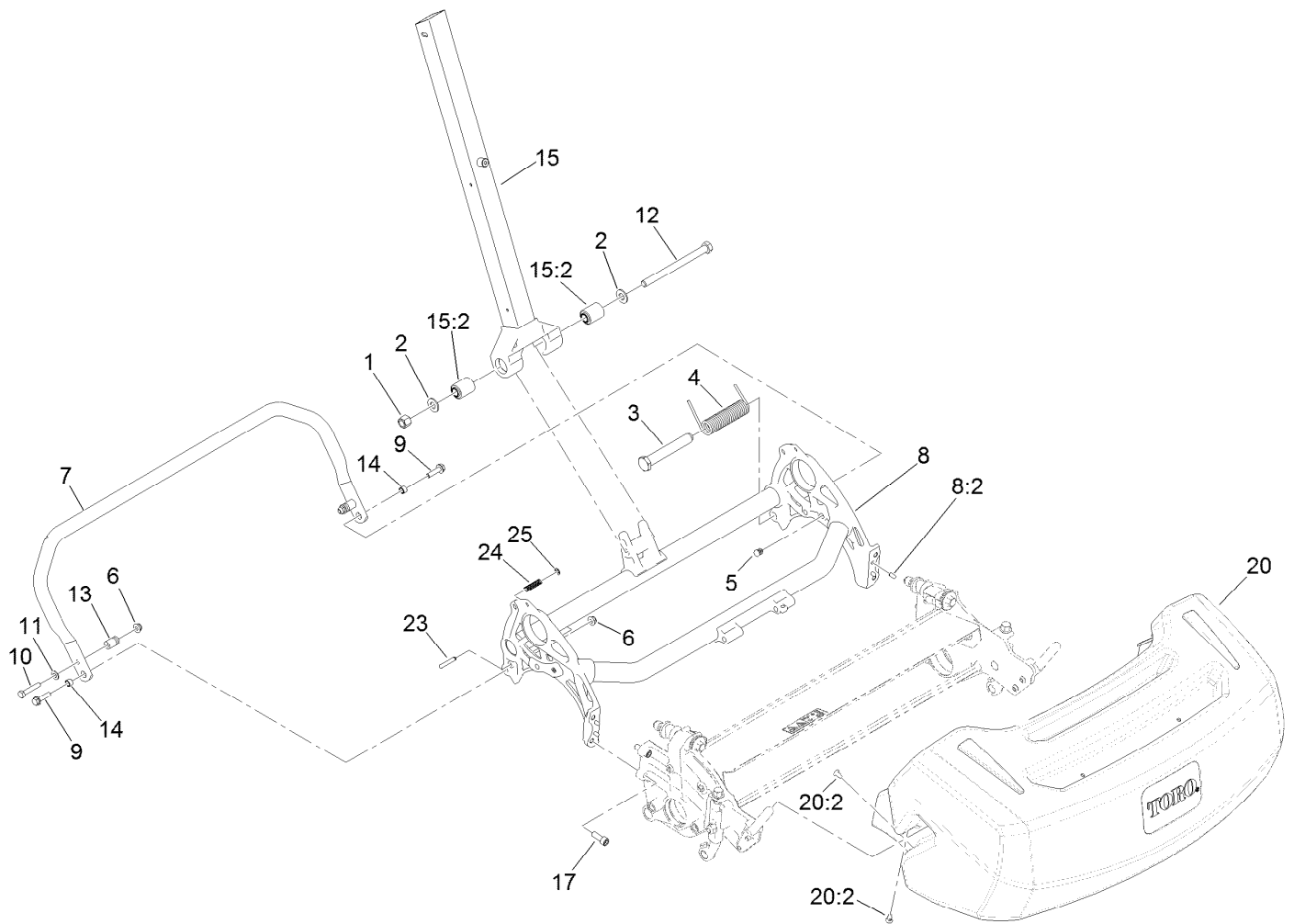
Reference Numbers Indicating Quantity

In an illustration, if a reference number indicates more than one part, the reference number has the form nX y. The n represents the quantity of the part, the X is the multiplication symbol, and the y represents the reference number.

For example, in an illustration, the reference number 2X 37 means that two of the parts identified by reference number 37 are indicated.

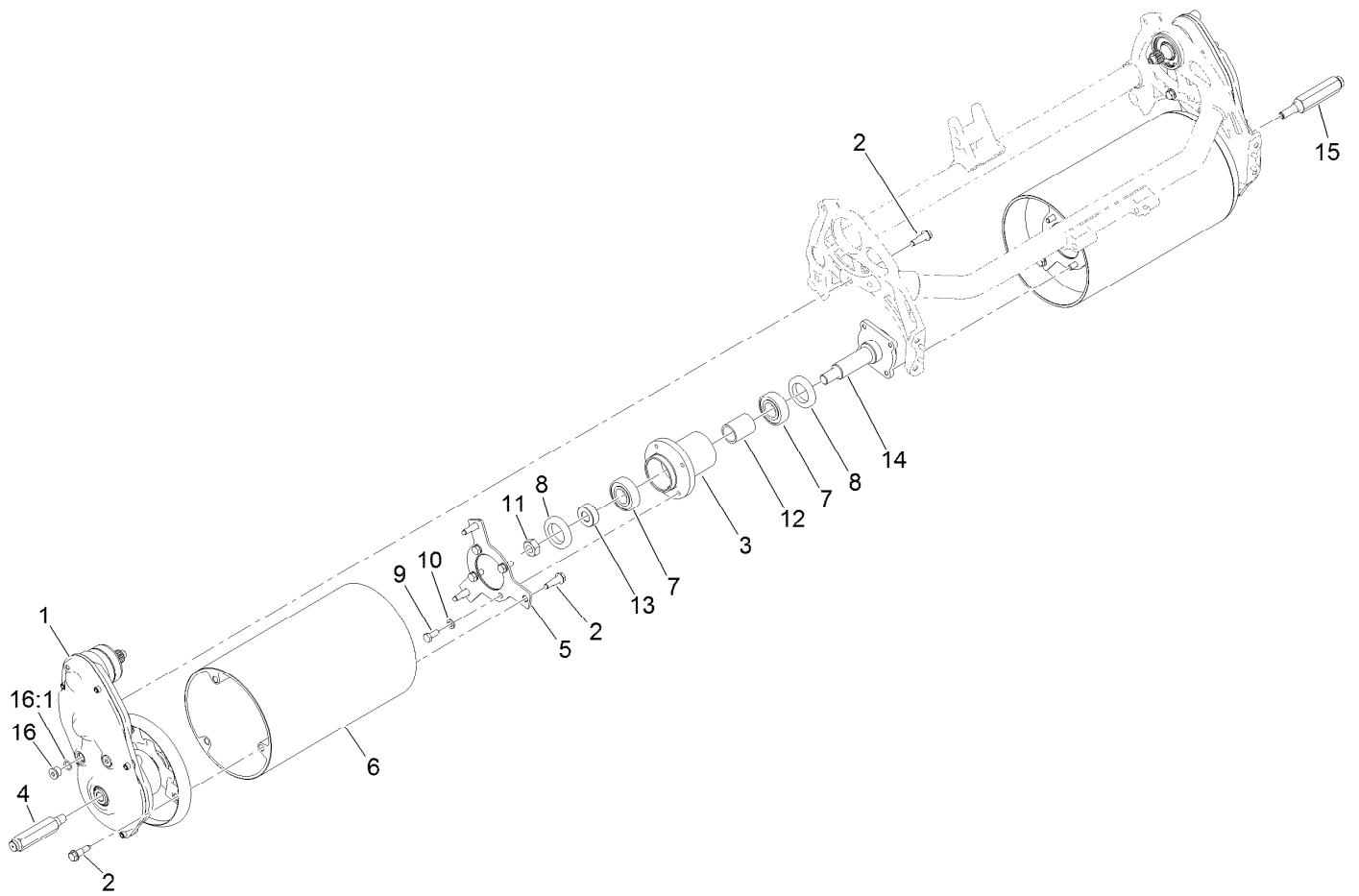
Contents

Frame and Handle Mount Assembly	4
Drum Drive Assembly	5
Drum Drive Gearbox Assembly No. 140-9329	6
Transmission Assembly	7
Engine Assembly	8
Engine Assembly No. 138-2142	10
Transmission Gearbox Assembly No. 140-9324 Transmission Case Assembly	11
Transmission Gearbox Assembly No. 140-9324 Reel Drive Assembly	12
Transmission Gearbox Assembly No. 140-9324 Traction Drive Assembly	13
Differential Assembly No. 132-4555	14
Reel Controls and Covers Assembly	15
Upper Receiver Assembly No. 140-9323	16
Upper Handle Assembly	17
Traction Bail Assembly	18
Miscellaneous Parts Assembly	19
Attachments and Accessories	20



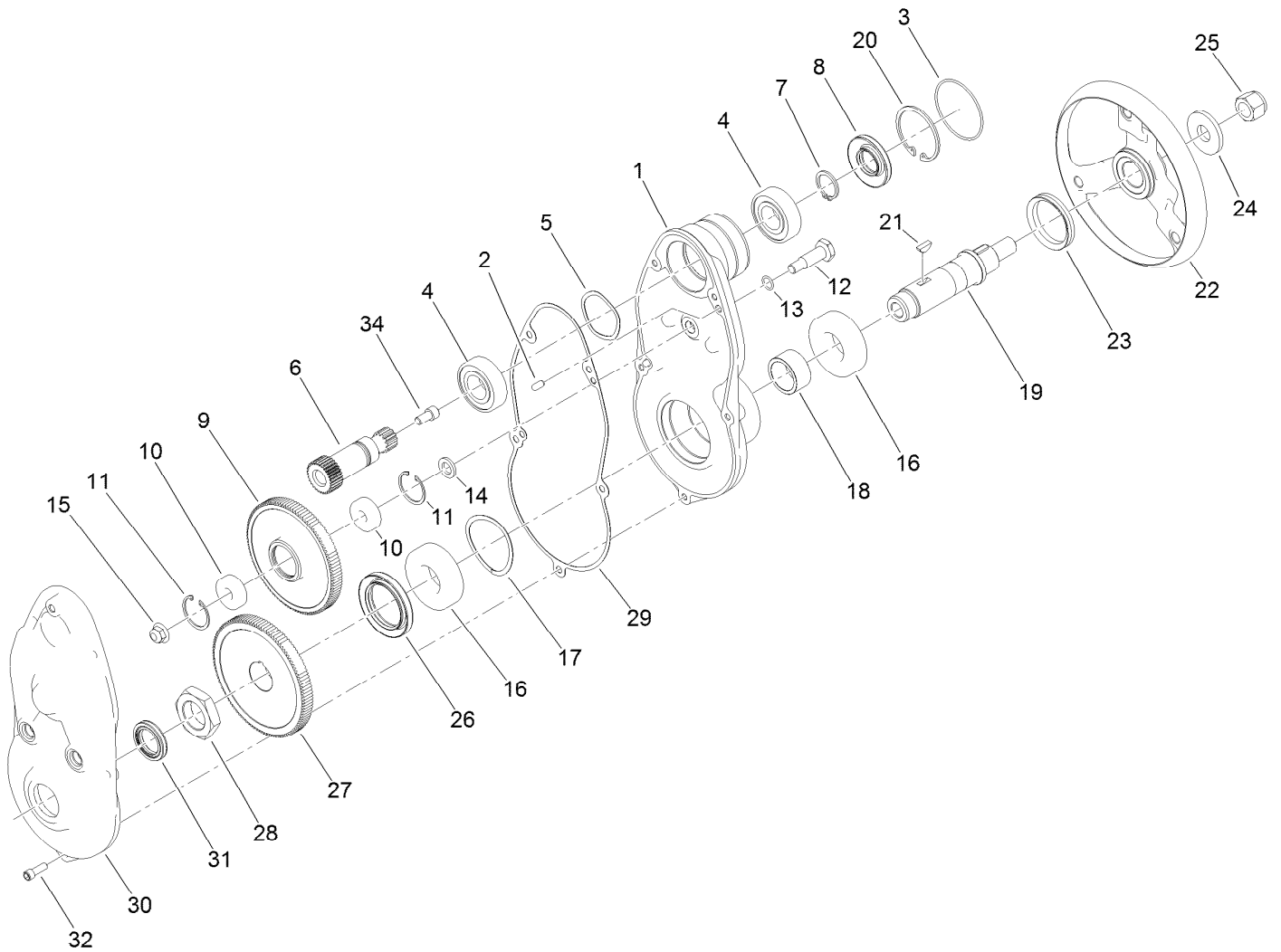
Frame and Handle Mount Assembly

<i>Ref.</i>	<i>Part Number</i>	<i>Qty.</i>	<i>Description</i>	<i>Ref.</i>	<i>Part Number</i>	<i>Qty.</i>	<i>Description</i>
1	3296-23	1	Nut-Lock, NI	12	325-33	1	Screw-HH
2	3256-26	2	Washer-Flat	13	65-7900	2	Retainer-Spring
3	138-1510	1	Pin-Mount, Spring	14	65-7910	2	Spacer
4	138-1459	1	Spring-Torsion, LH	15	137-0292	1	Lower Handle ASM
5	139-4326	2	Plug-Plastic	15:2	138-1469	2	Bushing-Straight
6	119-4041	3	Nut-HF	17	3274-7	4	Screw-HSH
7	138-1577-03	1	Kickstand-26 Inch	20	140-9294	1	Basket-Grass, GR1026
8	138-1648	1	26 Inch Frame ASM	20:2	121-4729	4	Plug
8:2	95-0715	4	Pin-Dowel	23	139-7431	1	Pin-Kickstand, Lock
9	112-6913	2	Screw-HHF	24	73-3450	1	Spring-Compression
10	322-9	2	Screw-HH	25	32151-86	1	E-Ring
11	3256-23	2	Washer-Plain				



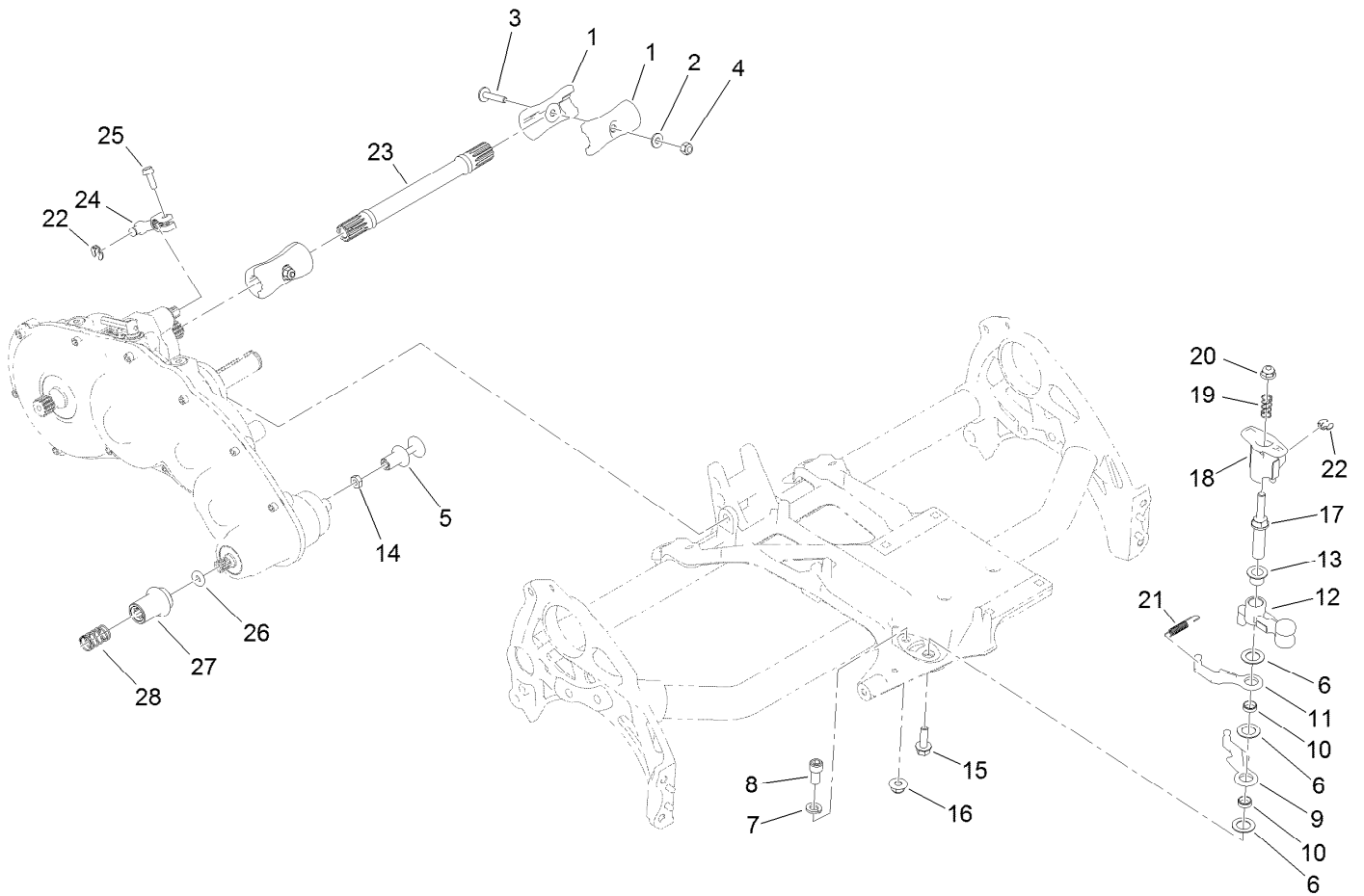
Drum Drive Assembly

<i>Ref.</i>	<i>Part Number</i>	<i>Qty.</i>	<i>Description</i>	<i>Ref.</i>	<i>Part Number</i>	<i>Qty.</i>	<i>Description</i>
1	140-9329	1	Kit-Drum Drive Replacement	9	322-3	8	Screw-HH
2	132-4607	14	Bolt-Shoulder, Flange	10	3253-4	8	Washer-Lock
3	132-6971	1	Hub-Drum	11	3296-33	1	Nut-Lock, NI
4	132-4605	1	Shaft-Hex, RH	12	65-6520	1	Spacer
5	140-9319	2	Plate-Drum, Hub	13	65-6530	1	Spacer
6	138-1529	2	Drum-Traction, 26 Inch	14	94-5850	1	Spindle-Drum
7	251-82	2	Bearing-Ball	15	132-4606	1	Shaft-Hex, LH
8	253-159	2	Seal	16	353-989	4	Plug-Hex, Hollow
				16:1	237-42	1	O-Ring



Drum Drive Gearbox Assembly No. 140-9329

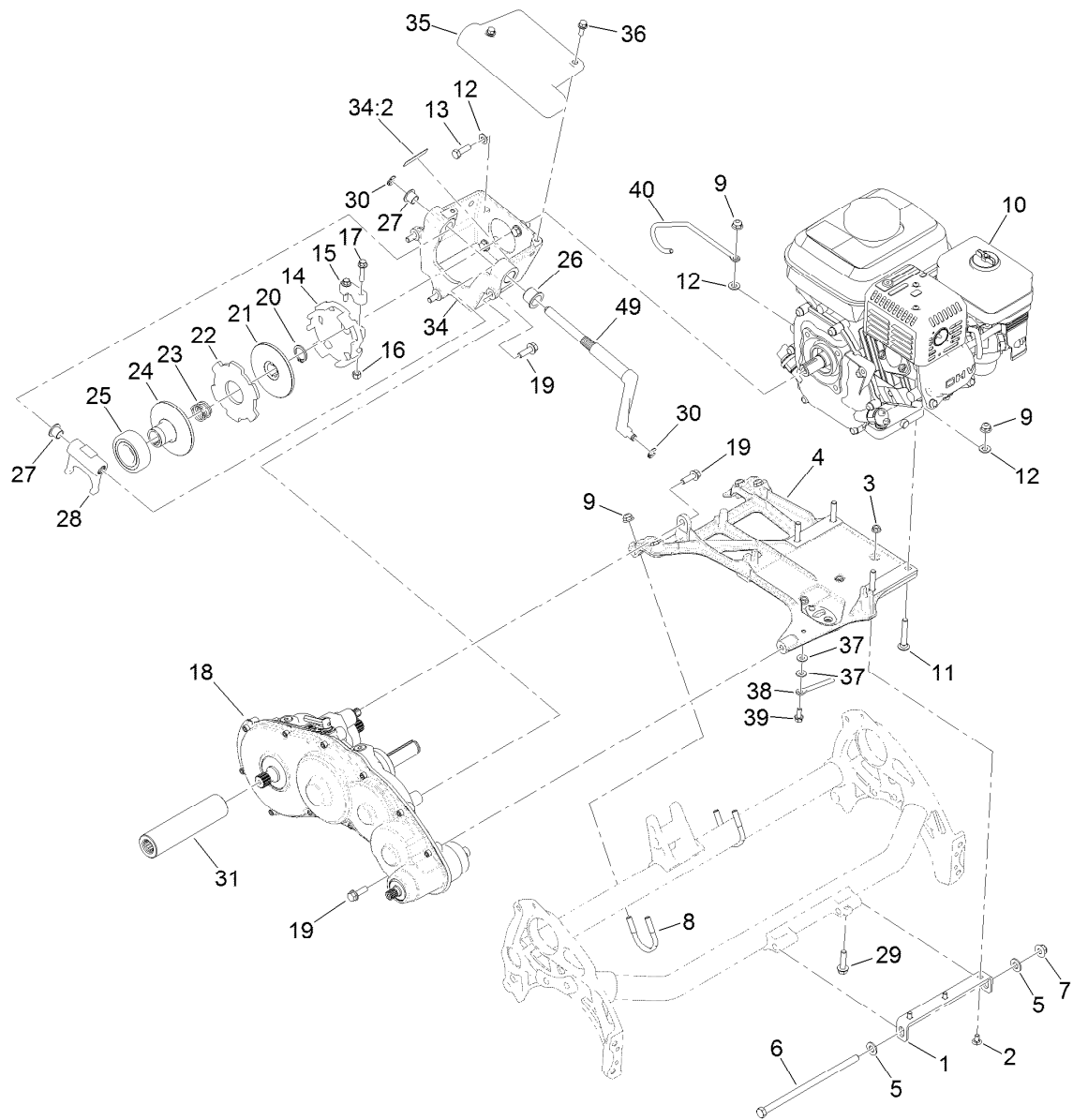
<i>Ref.</i>	<i>Part Number</i>	<i>Qty.</i>	<i>Description</i>	<i>Ref.</i>	<i>Part Number</i>	<i>Qty.</i>	<i>Description</i>
1	137-0282	1	Housing-Drive, Drum	18	132-4568	1	Spacer
2	133-4591	2	Pin-Dowel	19	133-4562	1	Shaft-Drum, Drive
3	133-9082	1	O-Ring	20	138-1480	1	Ring-Retaining, Int (52Mm)
4	251-82	2	Bearing-Ball	21	138-1504	2	Key-Woodruff, 5Mm
5	3290-485	1	Washer-Wave	22	133-9244	1	Hub-Drum, Outer
6	132-4565	1	Gear-Spur, 30T	23	253-161	1	Seal-V-Ring
7	138-1507	1	Ring-Retaining, EXT (25Mm)	24	104-9216	1	Washer-Hardened
8	138-1491	1	Seal-Oil	25	126-3841	1	Nut-Hex, NI
9	137-0274	1	Gear-Spur, 108T	26	138-1490	1	Seal-Oil
10	49-2410	2	Bearing-Ball	27	137-0275	1	Gear-Spur, 114T
11	138-1506	2	Ring-Retaining, Int (32Mm)	28	133-9078	1	Nut-Hex
12	133-4558	1	Pin-Bearing, Short	29	132-4569	1	Gasket-Drive, Drum
13	80-8460	1	O-Ring	30	137-0284	1	Cover-Drive, Drum
14	133-4553	1	Spacer-Bearing	31	133-4559	1	Seal-Oil
15	119-4042	1	Nut-HF, NI	32	140-9233	5	Screw-HSH
16	251-312	2	Bearing-Ball	34	3274-12	1	Screw-HSH
17	115-5258	1	Spring-Wire, Flat	2	353-989	2	Plug-Hex, Hollow
				1	237-42	1	O-Ring



Transmission Assembly

<i>Ref.</i>	<i>Part Number</i>	<i>Qty.</i>	<i>Description</i>
1	133-9100	4	Coupler-Splined, 4 Tooth
2	119-8952	2	Washer
3	126-8232	2	Screw-Truss
4	3296-42	2	Nut-Lock, NI
5	133-9207	1	Adapter-Slider
6	139-7362	3	Washer-Poly
7	3253-21	1	Washer-Lock
8	131-8573	1	Screw-HSH
9	138-1523	1	Reel Lever
10	133-9226	2	Bushing-Straight
11	138-1524	1	Lever-Reel
12	133-9206	1	Bellcrank-Reel
13	125-5239	1	Bushing-Flange
14	120-9638	1	Nut-Jam
15	115-5142	1	Screw-HHF

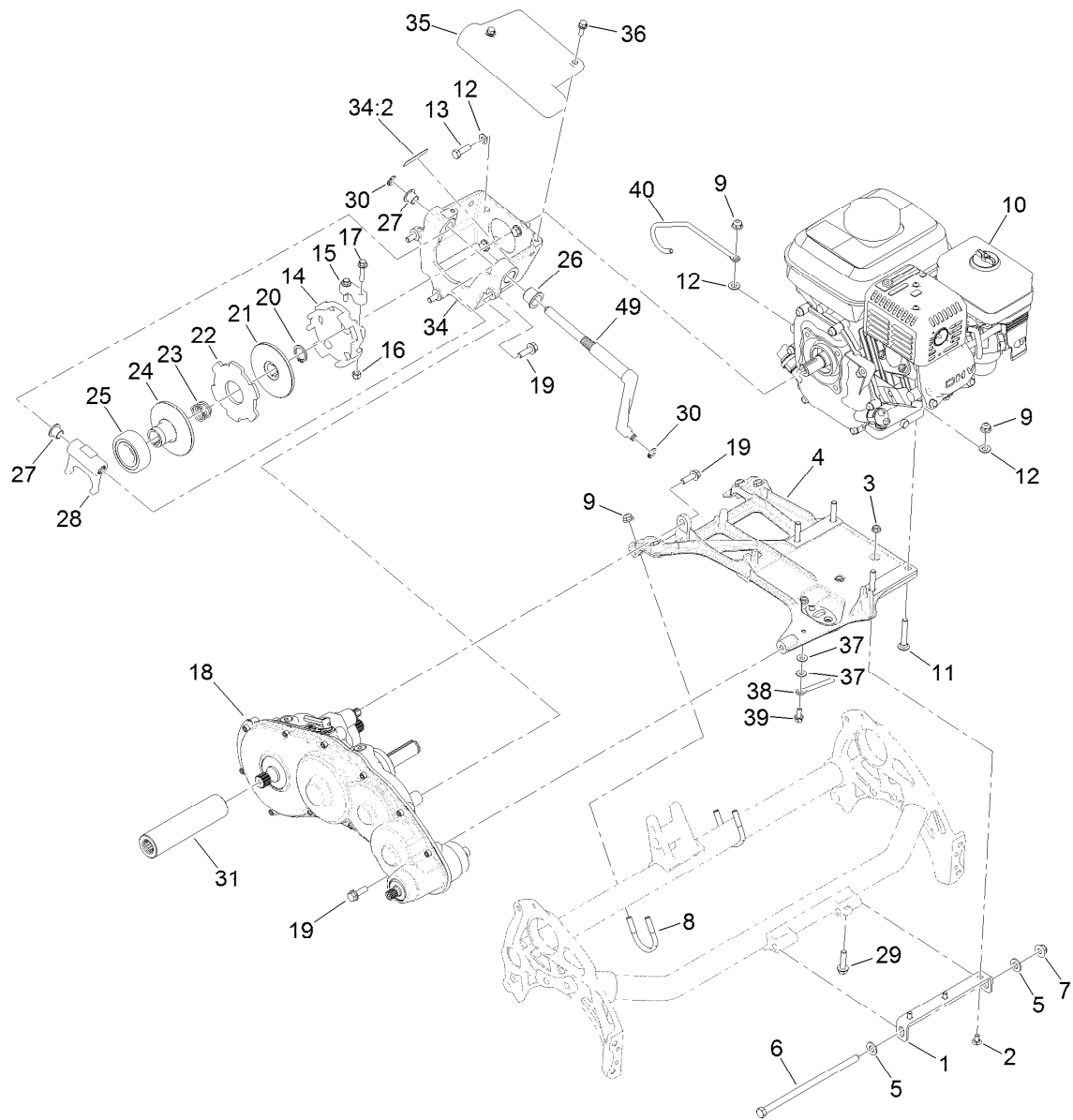
<i>Ref.</i>	<i>Part Number</i>	<i>Qty.</i>	<i>Description</i>
16	119-4042	1	Nut-HF, NI
17	137-0298	1	Shaft-Selector, Reel
18	137-0299	1	Hub-Selector, Reel
19	117-1031	1	Spring-Compression
20	119-4041	1	Nut-HF
21	119-4609	1	Spring-Extension
22	32151-47	2	Ring-Retaining
23	139-4328	1	Shaft-Drive, 26 Inch
24	133-9117	1	Lever-Brake, Cable
25	131-6150	1	Screw-HWHTF
26	139-4357	1	O-Ring
27	132-4619	1	Tube-Drive, Reel
28	133-9128	1	Spring-Compression, Coupler



Engine Assembly

Ref.	Part Number	Qty.	Description	Ref.	Part Number	Qty.	Description
1	138-1623-01	1	Bracket-Mount, Engine	18	140-9324	1	Kit-Transmission Replacement
2	116-5611	3	Bolt-Carrige 1/4-20 X 1/2 Short Neck	19	115-5142	5	Screw-HHF
3	32128-10	3	Nut-Lock, HHF	20	32151-33	1	Ring-Retaining, EXT
4	138-5517	1	Base-Engine	21	133-9095	1	Disc-Clutch
5	3256-24	2	Washer-Flat	22	133-9094	1	Plate-Friction
6	323-30	1	Screw-HH	23	133-9123	1	Spring-Compression, Clutch
7	119-4042	1	Nut-HF, NI	24	138-1508	1	Disc-Clutch, Slider
8	137-0301	2	Clamp-Tube	25	138-1505	1	Bearing-Sealed, Self Aligning
9	119-4041	8	Nut-HF	26	132-4089	1	Bushing
10	138-2142	1	Engine ASM ●	27	125-5239	2	Bushing-Flange
11	3230-6	4	Bolt-CARR	28	138-3548	1	Fork-Clutch
12	3256-23	8	Washer-Plain	29	112-6913	1	Screw-HHF
13	131-5919	4	Screw-HH, Patch	30	32151-47	2	Ring-Retaining
14	138-3542	1	Hub-Clutch, External	31	138-1616	1	Tube-Drive
15	138-5522	1	Clamp-Hub, Clutch	34	139-4301	1	Bell Housing ASM
16	3296-42	2	Nut-Lock, NI	34:2	120-9570	1	Decal-Warning
17	127-8639	2	Screw-HHF				

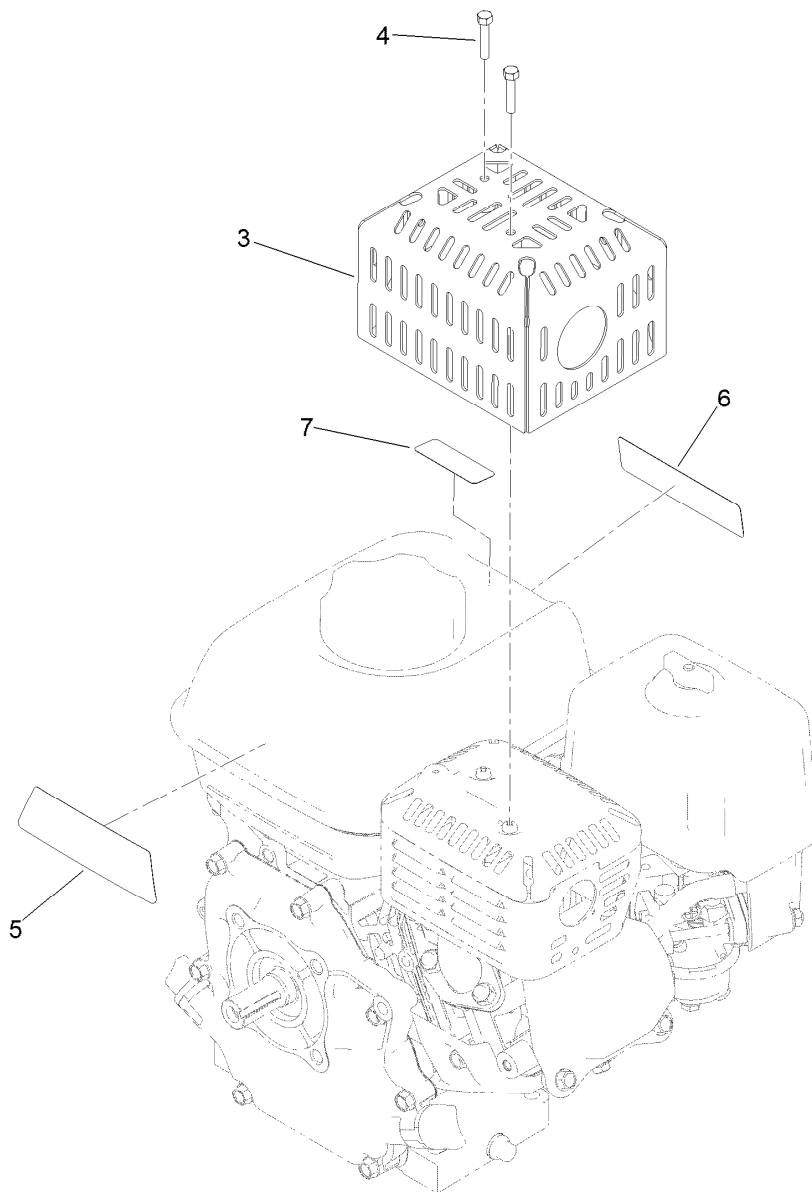
● Obtain parts from www.honda-engines.com



Engine Assembly (continued)

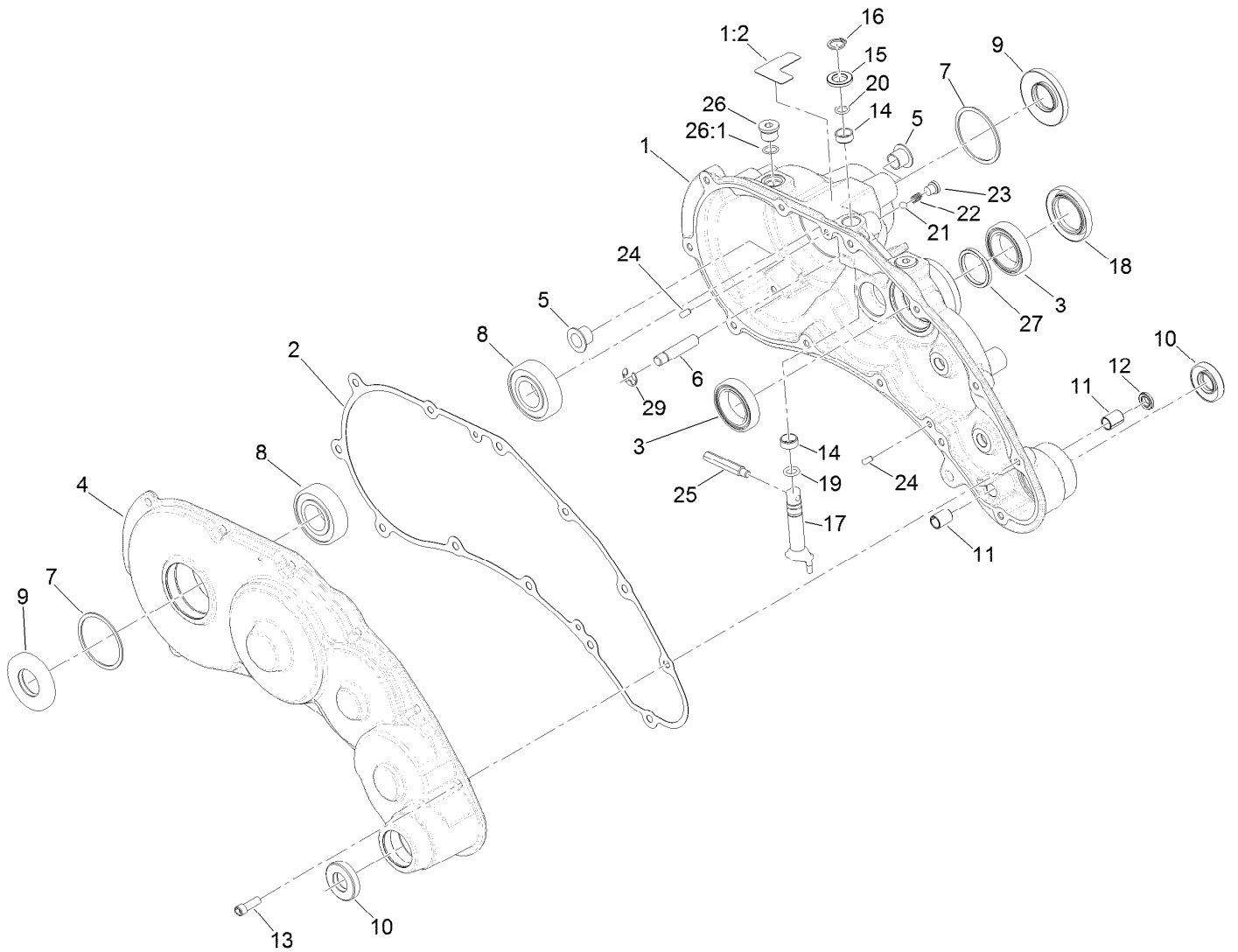
<i>Ref.</i>	<i>Part Number</i>	<i>Qty.</i>	<i>Description</i>	<i>Ref.</i>	<i>Part Number</i>	<i>Qty.</i>	<i>Description</i>
35	138-5545	1	Cover-Clutch	39	3234-33	1	Screw-HHF
36	120-9678	2	Screw-HHF	40	139-4309	1	Guide-Cable
37	3256-22	2	Washer-Flat	49	138-3549	1	Shaft-Fork
38	138-1591	1	Guide-Cable				

● Obtain parts from www.honda-engines.com



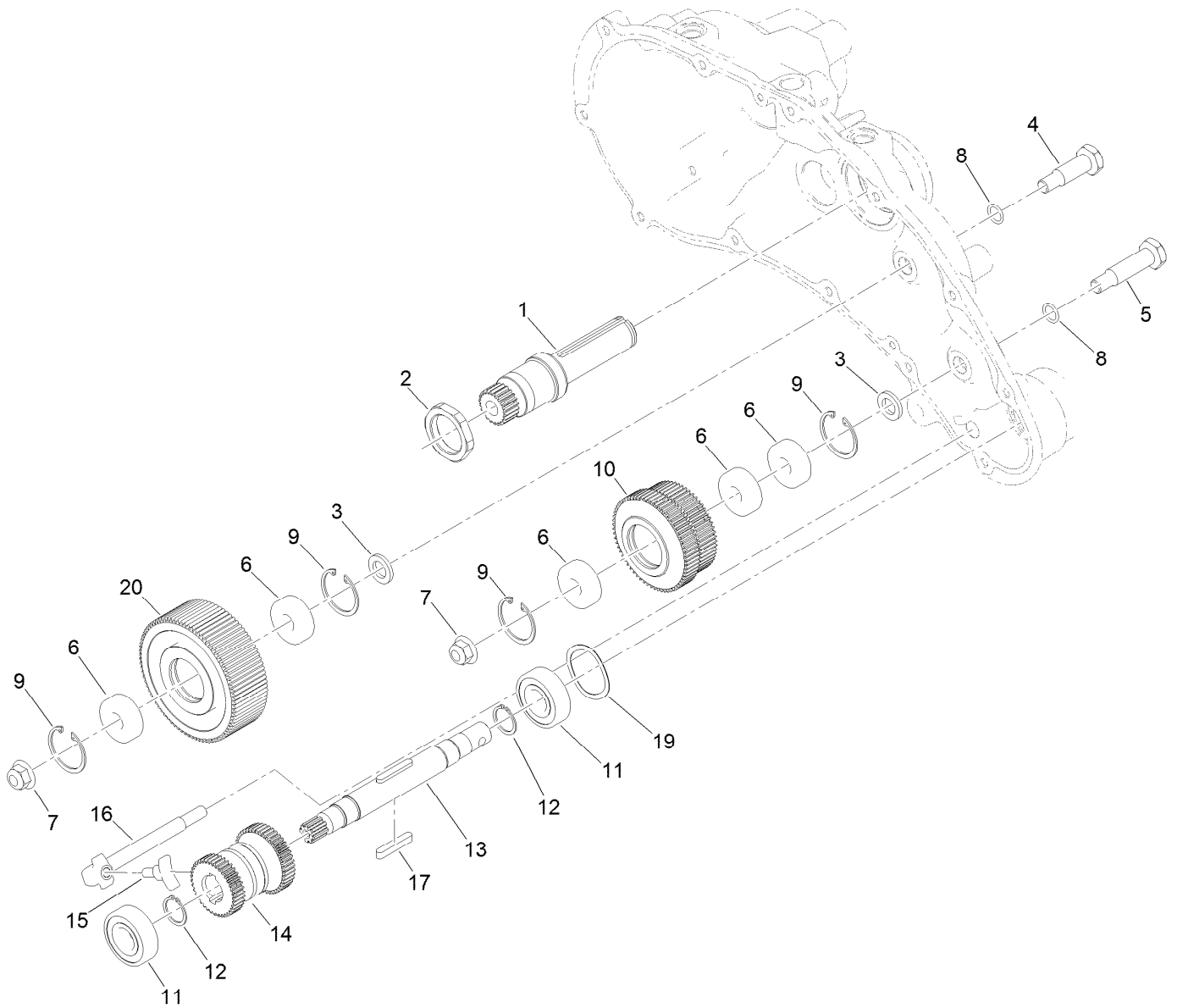
Engine Assembly No. 138-2142

<i>Ref.</i>	<i>Part Number</i>	<i>Qty.</i>	<i>Description</i>
3	138-2128-03	1	Guard-Muffler
4	87-5150	2	Screw-HH
5	138-2138	1	Decal-Warning, Engine
6	133-8062	1	Decal-Arrestor, Spark
7	130-8322	1	Decal-Warning, Ethanol



Transmission Gearbox Assembly No. 140-9324 Transmission Case Assembly

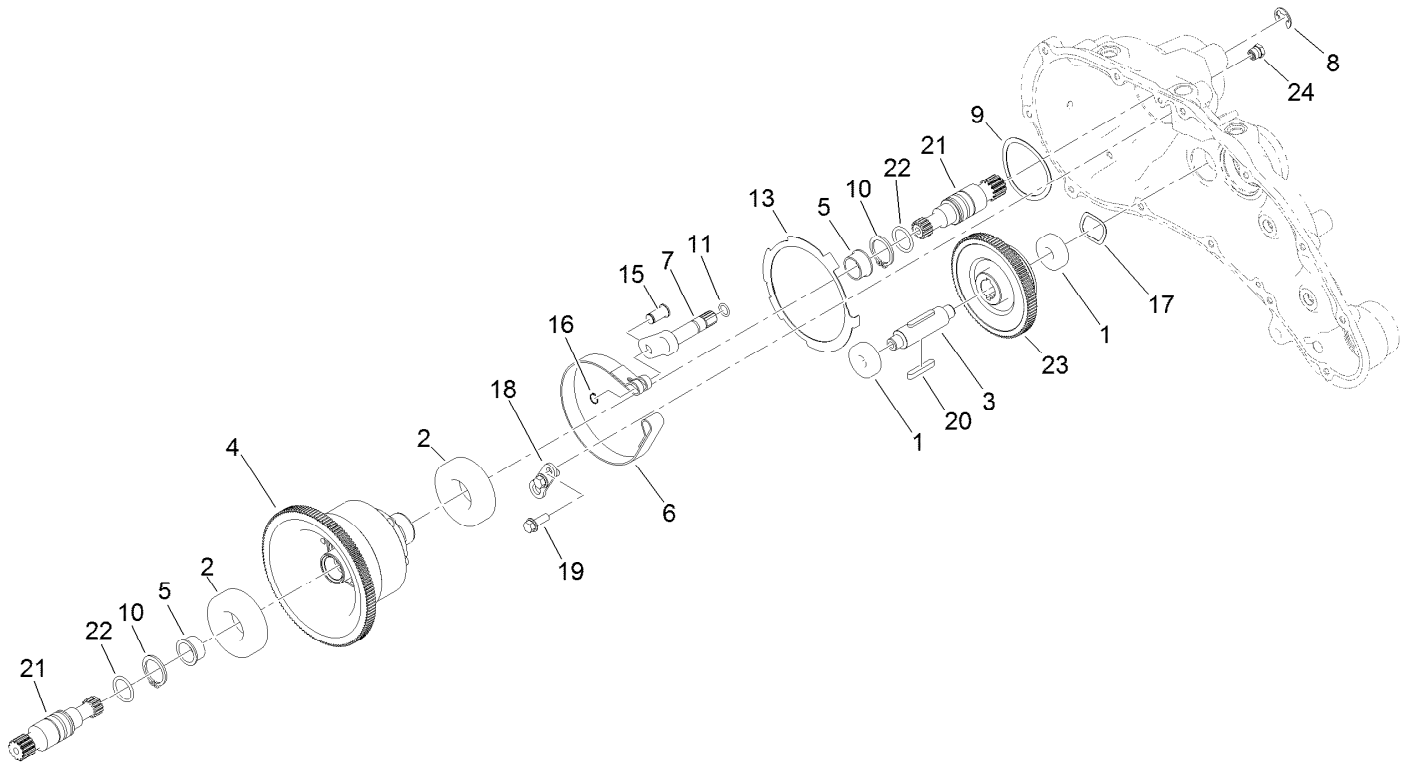
<i>Ref.</i>	<i>Part Number</i>	<i>Qty.</i>	<i>Description</i>	<i>Ref.</i>	<i>Part Number</i>	<i>Qty.</i>	<i>Description</i>
1	139-4306	1	Transmission Housing ASM	15	108-5059	1	Spacer-Bushing
1:2	138-1644	1	Decal-Release, Traction	16	32151-61	1	Ring-Retaining
2	132-4551	1	Gasket-Transmission	17	130-6816	1	Shaft-Selector, Traction
3	121-9281	2	Bearing-Ball	18	140-9325	1	Seal-Grease, High Temp
4	138-1603	1	Transmission Cover ASM	19	131-1879	1	O-Ring Seal
5	125-5239	2	Bushing-Flange	20	237-22	1	O-Ring
6	133-9122	1	Pin-Mount, Brake	21	105-2442	1	Ball-Detent
7	32151-92	2	Ring-Retaining	22	105-2443	1	Spring-Detent
8	251-82	2	Bearing-Ball	23	131-1825	1	Plug-ORB
9	133-9075	2	Seal-Oil	24	121-9249	2	Pin-Dowel
10	130-9463	2	Seal-Oil	25	133-9149	1	Pin-Groomer
11	131-3038	2	Bushing-Sleeve	26	353-989	2	Plug-Hex, Hollow
12	131-3126	1	Seal-Oil	26:1	237-42	1	O-Ring
13	140-9233	12	Screw-HSH	27	138-1496	1	Spacer
14	121-4738	2	Bushing-Straight	29	105-7004	1	E-Ring



Transmission Gearbox Assembly No. 140-9324 Reel Drive Assembly

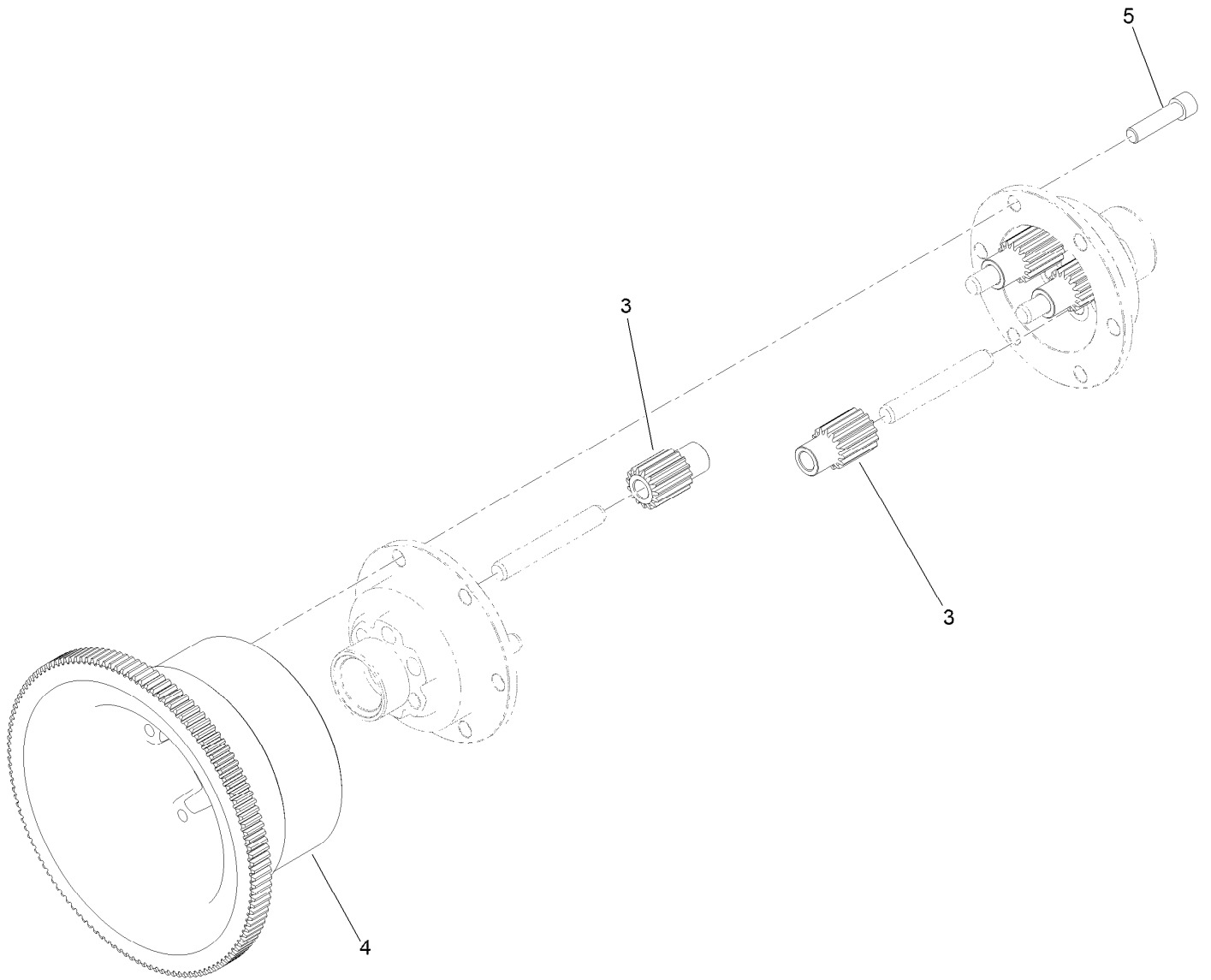
<i>Ref.</i>	<i>Part Number</i>	<i>Qty.</i>	<i>Description</i>
1	138-1509	1	Shaft-Input, 22T
2	138-1495	1	Nut-Lock, Thin
3	133-4553	2	Spacer-Bearing
4	133-4558	1	Pin-Bearing, Short
5	133-4557	1	Pin-Bearing, Long
6	49-2410	5	Bearing-Ball
7	104-8301	2	Nut-HF, NI
8	80-8460	2	O-Ring
9	138-1506	4	Ring-Retaining, Int (32Mm)
10	137-0272	1	Gear-Spur, 60T/65T

<i>Ref.</i>	<i>Part Number</i>	<i>Qty.</i>	<i>Description</i>
11	38-7820	2	Bearing-Ball
12	138-1629	2	Ring-Retaining, EXT (17Mm)
13	139-4359	1	Shaft-Drive, Reel
14	130-6834	1	Gear-Spur, Slider
15	133-9120	1	Shoe-Clutch, Reel
16	133-9121	1	Actuator-Clutch, Reel
17	103-2739	2	Key
19	131-3170	1	Spring-Wave
20	137-0273	1	Gear-Spur, 85T



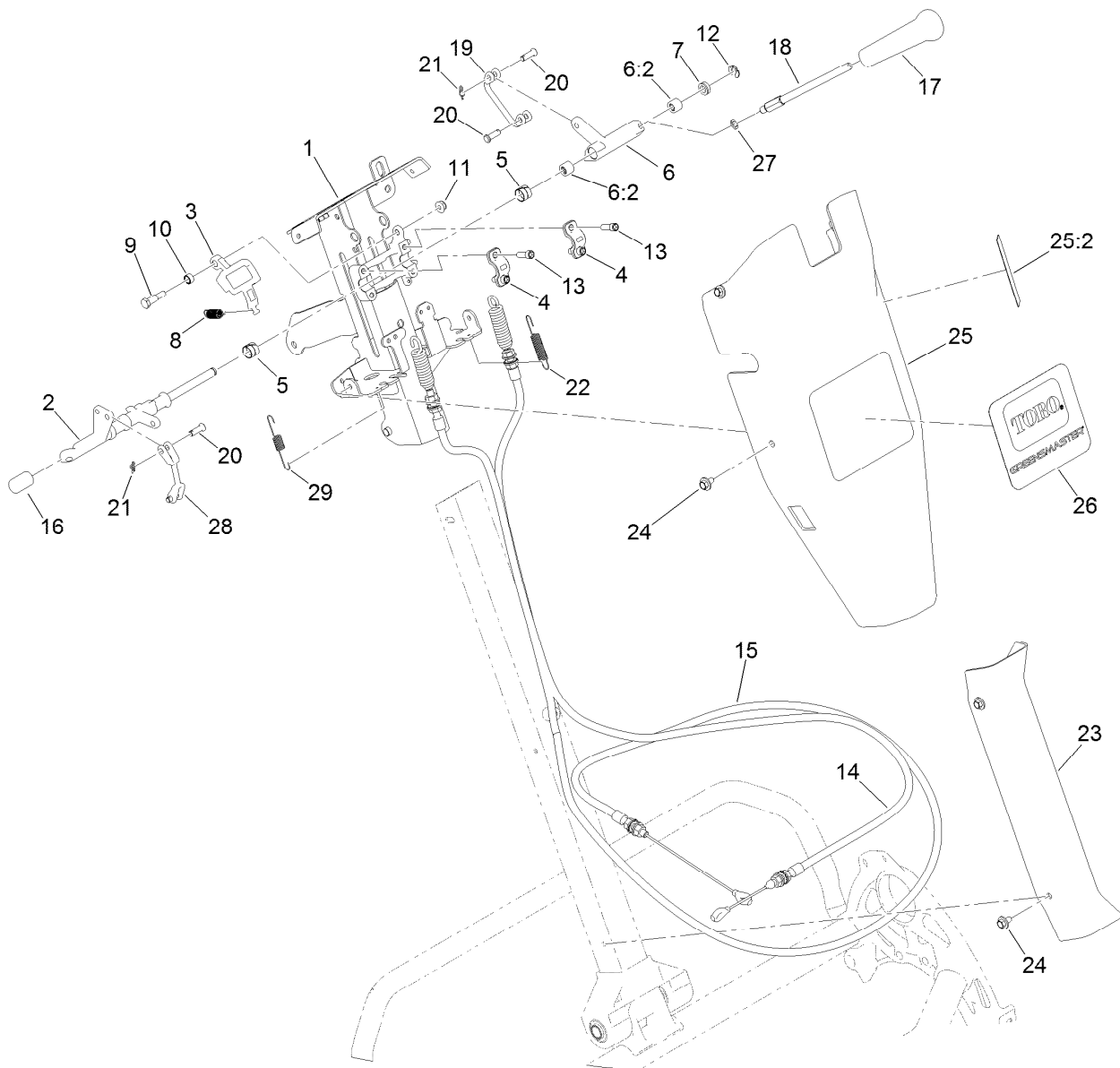
Transmission Gearbox Assembly No. 140-9324 Traction Drive Assembly

<i>Ref.</i>	<i>Part Number</i>	<i>Qty.</i>	<i>Description</i>	<i>Ref.</i>	<i>Part Number</i>	<i>Qty.</i>	<i>Description</i>
1	49-2410	2	Bearing-Ball	13	140-9236	1	Plate-Retainer, Brake
2	251-312	2	Bearing-Ball	15	120-9687	1	Pin-Clevis, Brake
3	137-0236	1	Shaft-Slider, Neutral	16	32120-46	1	Ring-Retaining
4	132-4555	1	Differential ASM	17	112-5163	1	Washer-Wave
5	256-252	2	Bearing-Flange	18	140-9279	1	Plate-Retainer, Pin
6	140-9277	1	Band-Brake	19	119-1138	2	Screw-HWH
7	132-4550	1	Lever-Brake	20	103-2739	2	Key
8	32120-47	1	Ring-Retaining, External	21	130-6841	2	Shaft-Differential
9	115-5258	1	Spring-Wire, Flat	22	237-159	2	O-Ring
10	32151-36	2	Ring-Retaining	23	137-0276	1	Gear-Spur, Neutral (93T)
11	237-22	1	O-Ring	24	133-4589	1	Fitting-Plug



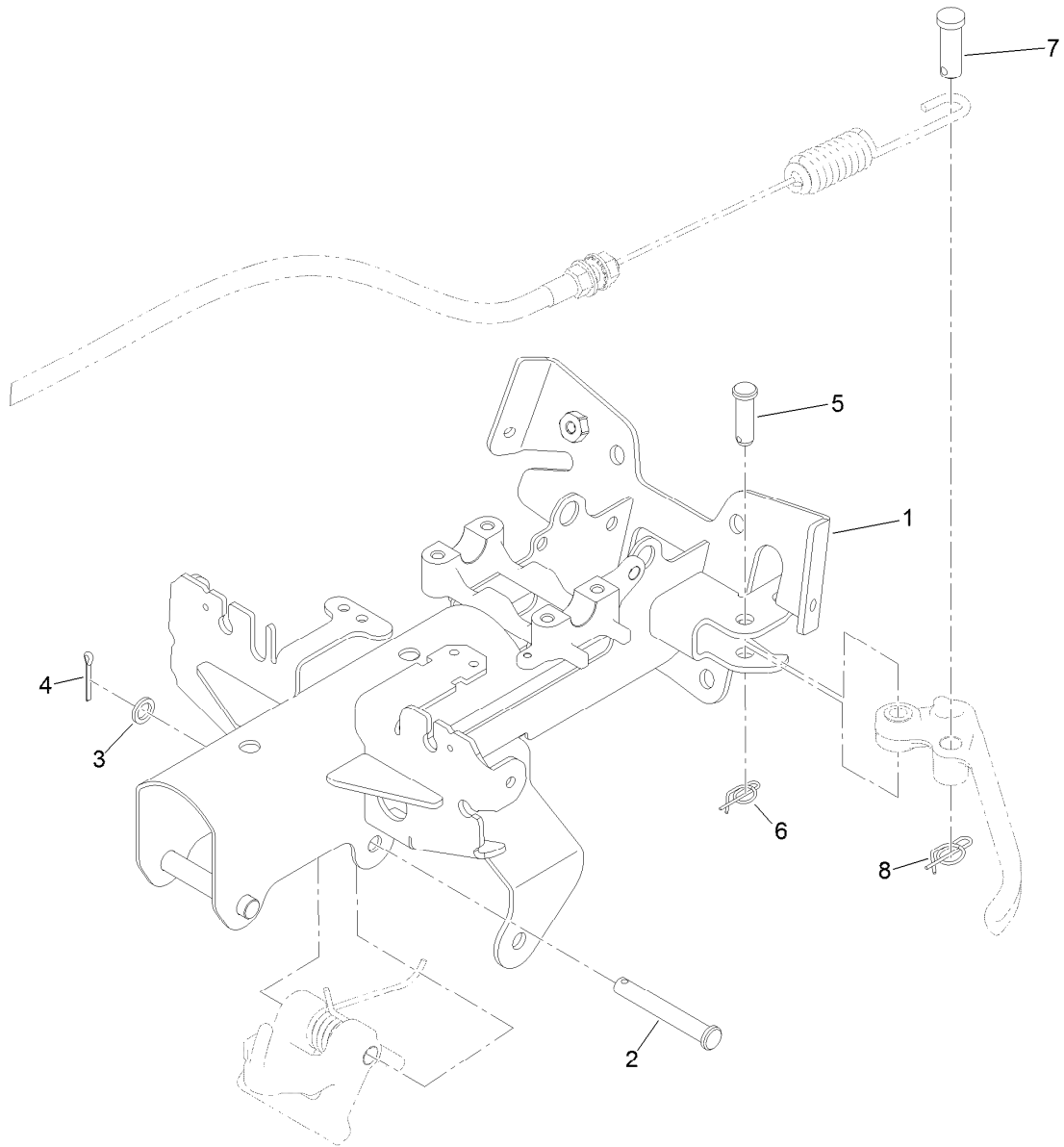
Differential Assembly No. 132-4555

<i>Ref.</i>	<i>Part Number</i>	<i>Qty.</i>	<i>Description</i>
3	130-6840	6	Gear-Spur, Differential
4	137-0294	1	Gear-Differential, 127T
5	3274-26	6	Screw-HSH



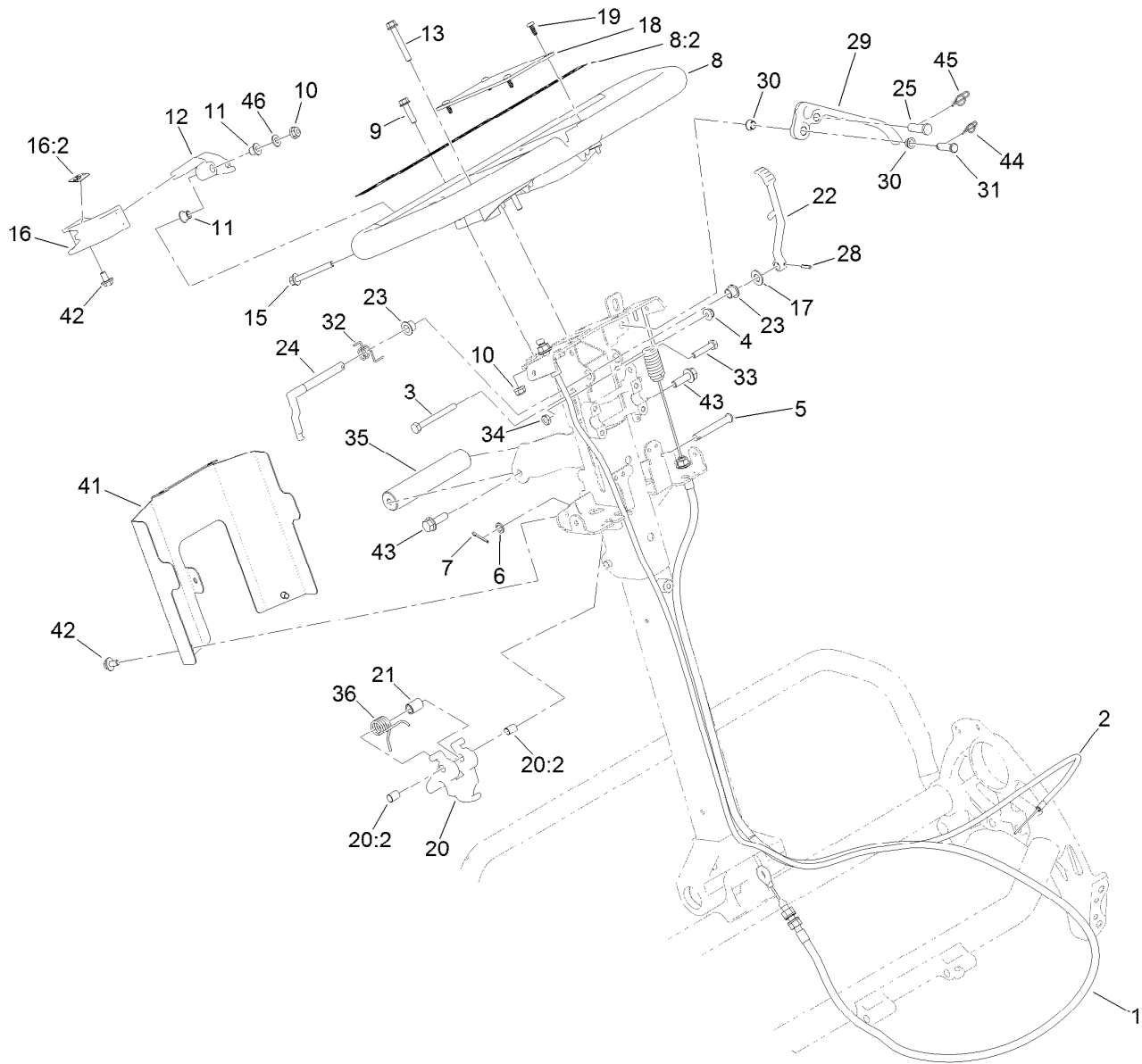
Reel Controls and Covers Assembly

Ref.	Part Number	Qty.	Description	Ref.	Part Number	Qty.	Description
1	140-9323	1	Kit- Upper Receiver Replacement	16	138-1641	1	Stockcap
2	137-0264	1	Shaft-Main, Controls	17	104-9760	1	Knob-Black
3	137-0266	1	Cam-Latch, Upper	18	137-0190	1	Rod-Handle, Reel Lever
4	138-1513	2	Clamp-Shaft, Control	19	137-0232	1	Connector-Clevis
5	137-0263	2	Bushing-Split	20	1-808265	4	Pin-Clevis
6	137-0312	1	Reel Lever ASM	21	138-1587	2	Clip-Pin, Cotter
6:2	138-1637	2	Bearing-Needle	22	138-1536	1	Spring-Extension
7	131-3187	1	Seal-V-Ring	23	138-1479	1	Cover-Handle, Lower
8	140-3410	1	Spring-Extension	24	46-6810	8	Screw And Washer ASM
9	137-0313	1	Screw-Shoulder	25	139-4304	1	Control Upper Cover ASM
10	137-0346	1	Spacer-Latch, Bail	25:2	138-1589	1	Decal-Reel Drive Engagement
11	104-7201	1	Nut-HF	26	138-1581	1	Decal-Greensmaster 1026
12	32151-47	1	Ring-Retaining	27	75-5470	1	Spacer-Bearing
13	3274-8	4	Screw-HSH	28	138-1592	1	Connector-Clevis
14	137-0180	1	Cable-Clutch	29	140-3417	1	Spring-Extension
15	137-0181	1	Cable-Traction				



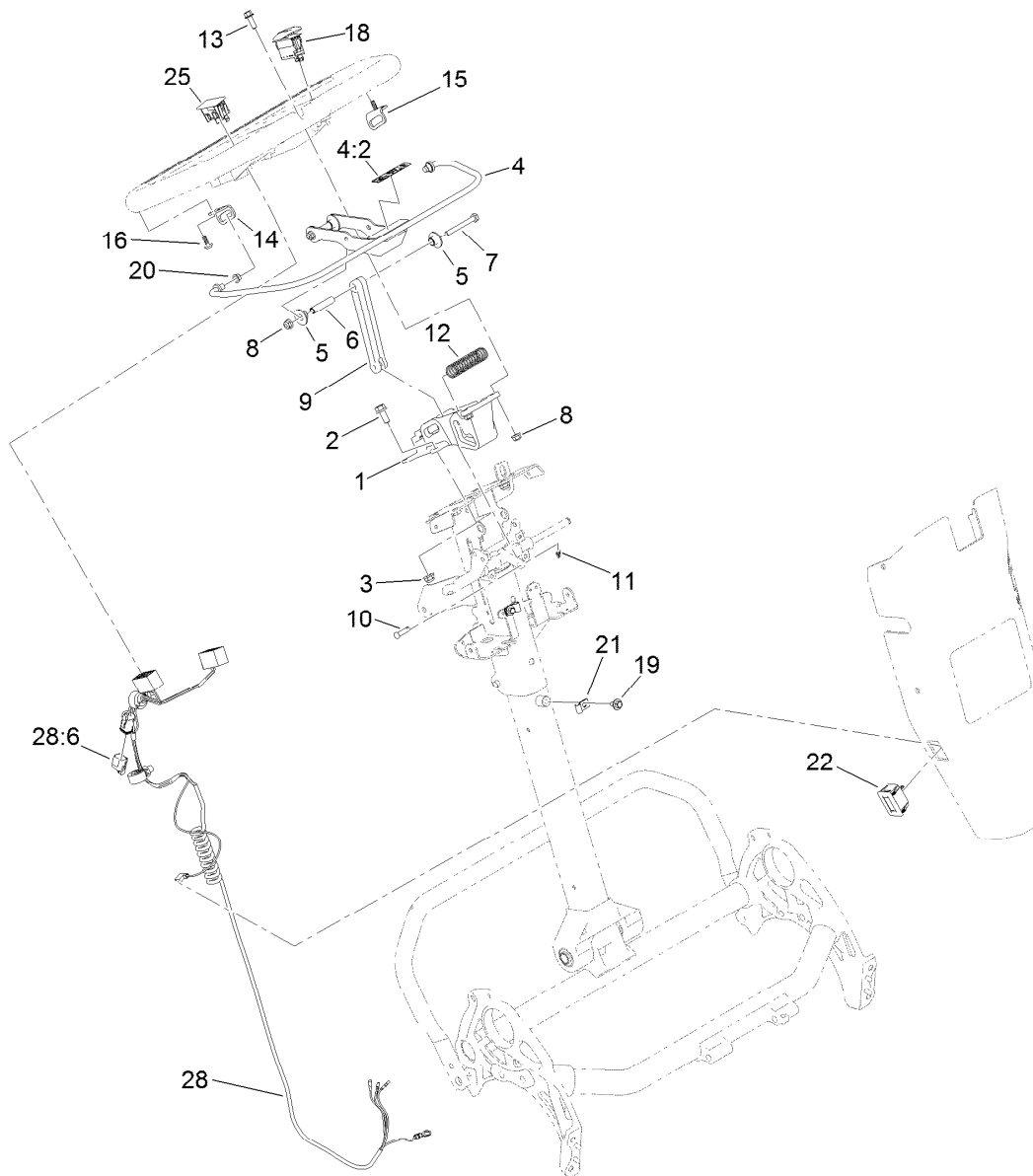
Upper Receiver Assembly No. 140-9323

<i>Ref.</i>	<i>Part Number</i>	<i>Qty.</i>	<i>Description</i>
1	140-9306-0P	1	Upper Receiver, Welded
2	110-0618	1	Pin-Clevis
3	75-5470	1	Spacer-Bearing
4	3272-6	1	Pin-Cotter
5	283-61	1	Pin-Yoke
6	116-6639	1	Pin-Cotter, Locking
7	1-808285	1	Pin-Clevis
8	140-9312	1	Pin-Cotter, Locking



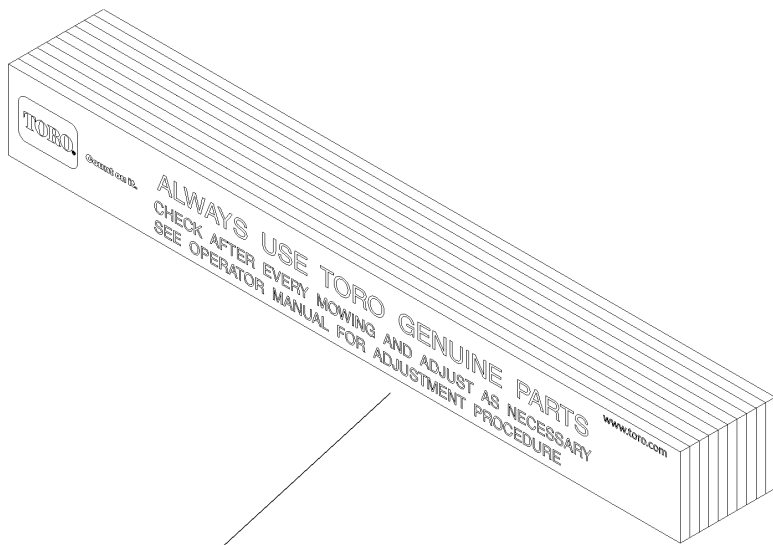
Upper Handle Assembly

Ref.	Part Number	Qty.	Description	Ref.	Part Number	Qty.	Description
1	140-9318	1	Cable ASM, Brake	20:2	137-0308	2	Bushing-Igus
2	137-0182	1	Cable-Throttle	21	137-0318	1	Spacer-Spring
3	321-15	1	Screw-HH	22	140-3377	1	Lever-Lock, Brake
4	104-7201	1	Nut-HF	23	138-1514	2	Bushing-Flange
5	110-0618	1	Pin-Clevis	24	138-1573	1	Latch-Brake
6	75-5470	1	Spacer-Bearing	25	1-808285	1	Pin-Clevis
7	3272-6	1	Pin-Cotter	28	32121-73	1	Pin-Roll
8	138-1645	1	Handle ASM	29	140-9298	1	Lever-Brake
8:2	138-5532	1	Decal-Warning, General	30	138-5538	2	Bushing-Flange
9	120-4654	2	Screw-HHF	31	283-61	1	Pin-Yoke
10	119-4040	3	Nut-Flange, NI	32	138-1518	1	Spring-Brake, Torsion
11	138-3538	2	Bushing-Flange	33	114-0282	1	Screw-HH
12	138-1636	1	Arm-Throttle	34	120-9695	1	Nut-Jam
13	138-5527	1	Screw-HHF	35	138-1535	1	Handle-Assist, Lift
15	140-9317	1	Screw-HHF,Lock	36	138-1481	1	Spring-Handle, Torsion
16	139-4303	1	Throttle Lever ASM	41	138-5530-03	1	Cover-Bottom, Controls
16:2	138-5534	1	Decal-Throttle	42	46-6810	3	Screw And Washer ASM
17	3256-45	1	Washer-Flat	43	115-5142	2	Screw-HHF
18	138-5514	1	Plate-Notepad, Handle	44	116-6639	1	Pin-Cotter, Locking
19	127-6843	4	Screw-Plastite, Torx Pan	45	140-9312	1	Pin-Cotter, Locking
20	137-0317	1	Handle Adjuster ASM	46	139-1323	1	Washer-Spcl

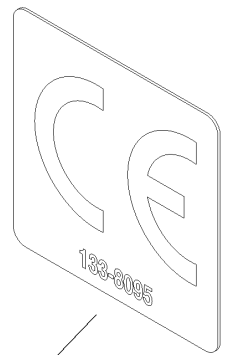


Traction Bail Assembly

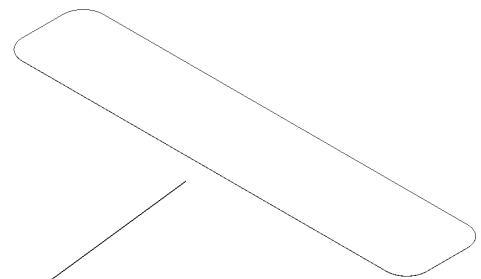
<i>Ref.</i>	<i>Part Number</i>	<i>Qty.</i>	<i>Description</i>	<i>Ref.</i>	<i>Part Number</i>	<i>Qty.</i>	<i>Description</i>
1	138-5524	1	Mount-Handle	13	120-9678	2	Screw-HHF
2	3234-47	2	Screw-HHF	14	138-3539	1	Bracket-Bail, RH
3	119-4041	2	Nut-HF	15	138-3540	1	Bracket-Bail, LH
4	139-4302	1	Clutch Bail ASM	16	138-5775	2	Screw-Delta Point
4:2	138-5533	1	Decal-Bail, Traction	18	122-1497	1	Switch-Rocker, On-None-Off
5	138-3466	4	Bushing-Flange	19	46-6810	2	Screw And Washer ASM
6	138-3465	2	Spacer-Tube	20	138-5538	2	Bushing-Flange
7	321-18	2	Screw-HH	21	2412-91	2	Clamp
8	119-4040	4	Nut-Flange, NI	22	119-1347	1	Meter-Hour
9	138-5515	1	Link-Bail, Clutch	25	119-7791	1	Plug-Hole, Carling
10	353-322	1	Pin-Clevis	28	122-1416	1	Harness-Wire
11	138-1587	1	Clip-Pin, Cotter	28:6	32180-091	1	Cap-Dust, 2 Way
12	138-3468	1	Spring-Compression				



1



8



2

Miscellaneous Parts Assembly

Ref.	Part Number	Qty.	Description
1	125-5610	1	Paper-Reel, Toro (10 Pack)
2	140-5531	1	Shim-Toro Reel (.002In)
8	133-8095	1	Decal-CE

Attachments and Accessories

For 04840 Greensmaster 1026 Mower

Product Name	Model/Part
Wheel Kit	04123
Split Full 26in Roller	04127
Light Kit (2019+)	04135
Push Broom Kit, Walk Greensmower (2019+)	04136
Split Wiehle 26in Roller	04137
26in Extended Wiehle Roller (2019+)	04146
Trans Pro 80 Tow-Behind Trailer.....	04238
Trans Pro 100 Tow-Behind Trailer.....	04240
Flat Ramp	04245
Rail Ramp Kit (Update).....	04247
26in Stiff Grooming Brush.....	04276
Turf Evaluator	04399
Universal Groomer Drive	04707
Backlap Kit.....	04800
26in Twin Tip Groomer Reel	04803
26in Interlace Narrow Wiehle Roller Asm.....	04806
26in Full Front Roller Asm	04816
26in Wide Wiehle Roller Asm	04826
8-Blade 26in Fixed EDGESERIES CU.....	04842
11-Blade 26in Fixed EDGESERIES CU.....	04843
Bedknife-Highcut	104-2646
Bedknife-Fairway.....	107-8181
Bedknife-Micro-Cut.....	112-9275
Roller Extension Kit	115-7361
Bedknife-EDGEMAX, Tournament Cut	117-1548
MVP Kit-Cutting Unit Re-Build	121-2637
Premium Engine Oil 10w30 (55 Gallon Drum)	121-6392
Premium Engine Oil 10w30 (5 Gallon Pail)	121-6393
Toro Reel Paper (10 Pack).....	125-5610
26in Stiff Grooming Brush Kit.....	127-1549
Angle Indicator.....	131-6828
Angle Indicator Mount.....	131-6829
Blade-Groomer, Universal Harden Blade (Thin)	132-4626
Grease-Synthetic.....	136-8595
Bedbar-26in	138-1522-01
Bedknife-EDGEMAX, 26in Microcut Short	139-4322
Bedknife-EDGEMAX, 26in Tournament Short.....	139-4323
Bedknife-EDGEMAX, 26in Microcut	139-4324
Access Backlap Kit	139-4342
Wireless Hour Meter Kit.....	139-4369
26in Interlaced Roller Scraper Asm	139-4394
26in Full Roller Scraper Asm	139-4398
26in Smooth Roller Scraper Brush Asm.....	139-5117
26in Interlaced Roller Scraper Brush Asm	139-5125
26in Wide Wiehle Roller Scraper Asm	139-7406
Wide Wiehle Roller Scraper Brush Asm.....	139-7410

Attachments and Accessories (continued)

Shim-TORO Reel (.002in)	140-5531
Bedknife-1/8in.....	93-9015
Bedknife-Tournament Cut.....	94-5885
Height-of-Cut Bar.....	94-9010
Extended HOC Arm.....	99-4286

Notes:

Notes:



Count on it.