



Count on it.

Parts Catalog

Cab Kit

Workman® GTX Utility Vehicle

Model No. 07142—Serial No. 408000000 and Up



Ordering Replacement Parts

To order replacement parts, please supply the part number, the quantity, and the description of each part desired.

Understanding Reference Numbers

Each identified part in an illustration has a reference number. The reference number for a part also appears in the parts list, along with other information about the part.

This catalog uses two special reference number formats, one to indicate parts in a service assembly and another to indicate the quantity of a given part in an illustration.

Service Assembly Reference Numbers

Parts in service assemblies have reference numbers in the form a:b. The a represents the reference number of the entire service assembly and the b represents a sequential number unique to each part within the service assembly.

For example, a wheel assembly might be identified by reference number 6, the tire by 6:1, the valve by 6:2, and the wheel by 6:3. When you order the assembly identified by reference number 6, you receive all parts identified by reference numbers 6:1, 6:2, and 6:3. However, you may also order any part individually. Reference numbers of this type appear in illustration and in parts lists.

Reference Numbers Indicating Quantity

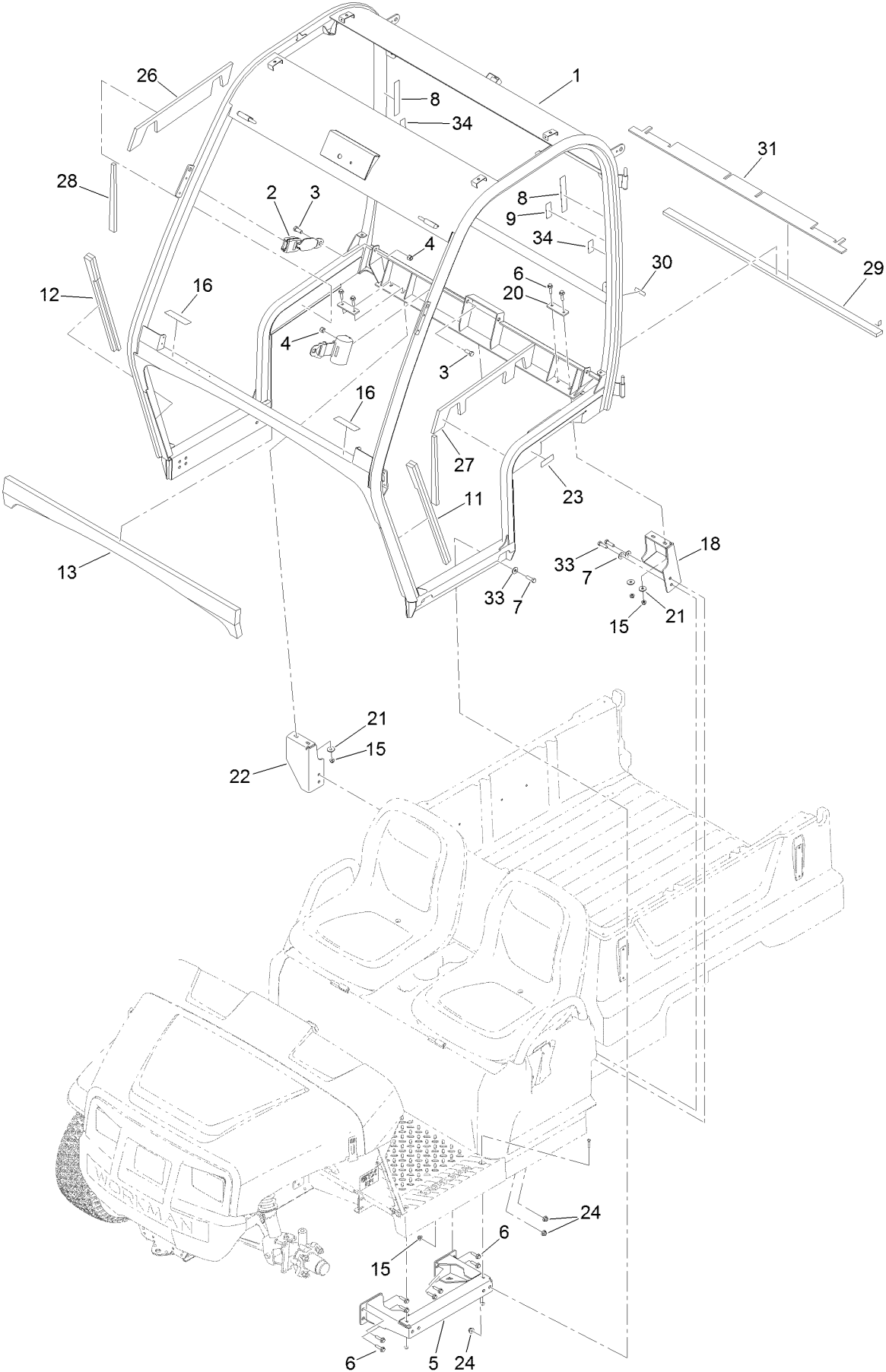
In an illustration, if a reference number indicates more than one part, the reference number has the form nX y. The n represents the quantity of the part, the X is the multiplication symbol, and the y represents the reference number.

For example, in an illustration, the reference number 2X 37 means that two of the parts identified by reference number 37 are indicated.

Contents

Frame Mount and Interior Seal Assembly	4
Roof, Console and Windshield Wiper Assembly	6
Front and Rear Window Assembly	8
Wire Harness Assembly	10
Attachments and Accessories	12

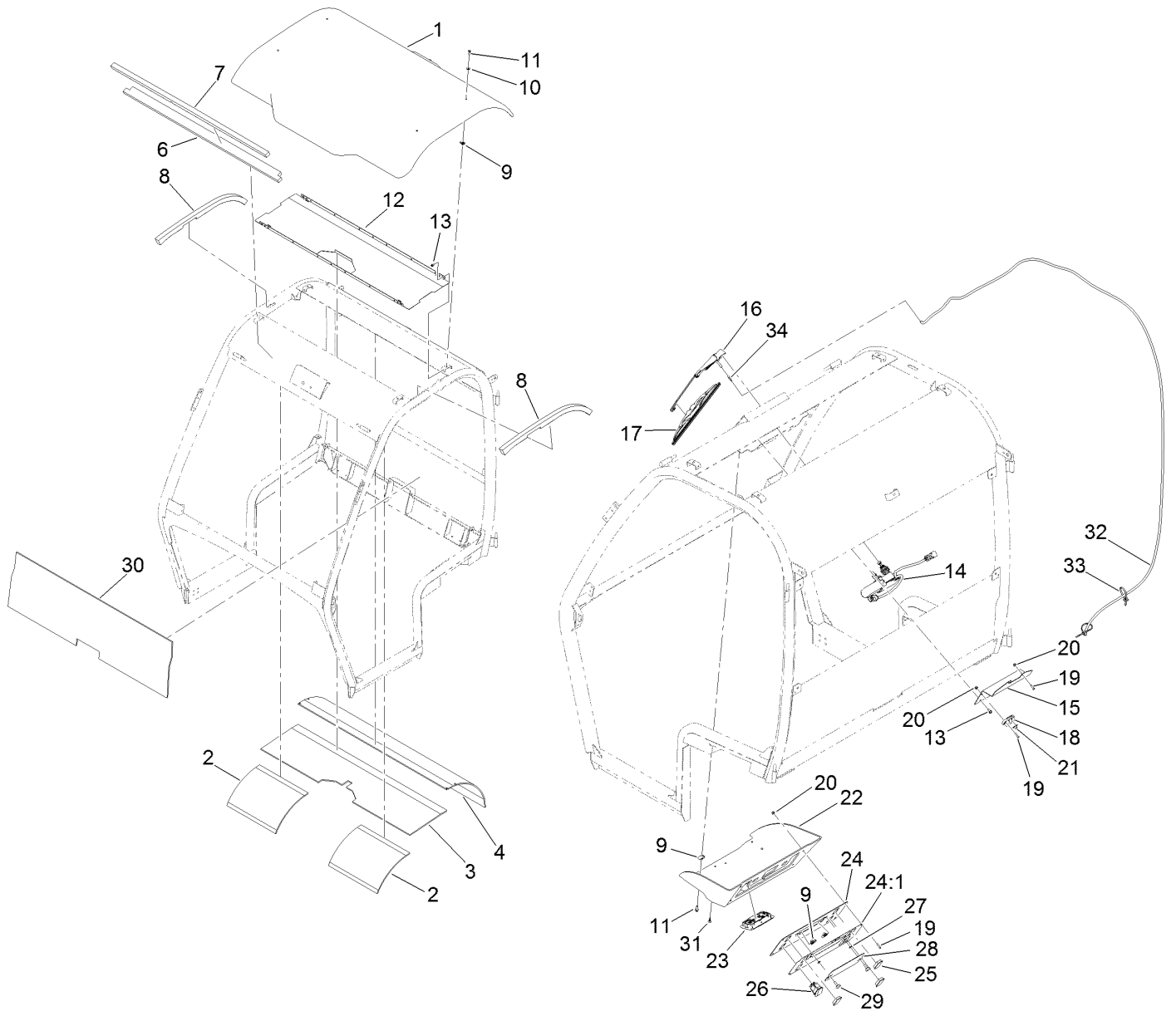
Frame Mount and Interior Seal Assembly



Frame Mount and Interior Seal Assembly (continued)

<i>Ref.</i>	<i>Part Number</i>	<i>Qty.</i>	<i>Description</i>	<i>Ref.</i>	<i>Part Number</i>	<i>Qty.</i>	<i>Description</i>
1	139-2055	1	Cab Frame ASM	18	133-0756-03	1	Support-LH
2	133-1022	2	Belt-Safety	20	132-3649	2	Plate-Support
3	3212-4	4	Screw-HH	21	115-7109	4	Washer-Flat
4	3296-7	4	Nut-Lock	22	133-0757-03	1	Support-RH
5	136-1912-03	2	Plate-Support, Floor	23	131-8410	1	Decal-Danger, Fuel
6	132-3837	20	Screw-HHF	24	104-8301	10	Nut-HF, NI
7	323-44	10	Screw-HH	26	136-1914	1	Seal-Foam, Passenger
8	133-1016	2	Decal-Danger	27	136-1915	1	Seal-Foam, Driver
9	133-1017	1	Decal-ROPS	28	136-1916	2	Seal-Foam
11	133-1055	1	Seal-Foam, RH	29	133-1036	1	Seal-Foam
12	133-1054	1	Seal-Foam, LH	30	120-9570	1	Decal-Warning
13	133-0773	1	Foam-Seal	31	133-1132	1	Seal-Foam
15	104-8300	20	Nut-HF, NI	33	80-6990	10	Washer-Hardened
16	130-5964	2	Decal-Window, Pin	34	136-2000	2	Decal-Safety, Pinch

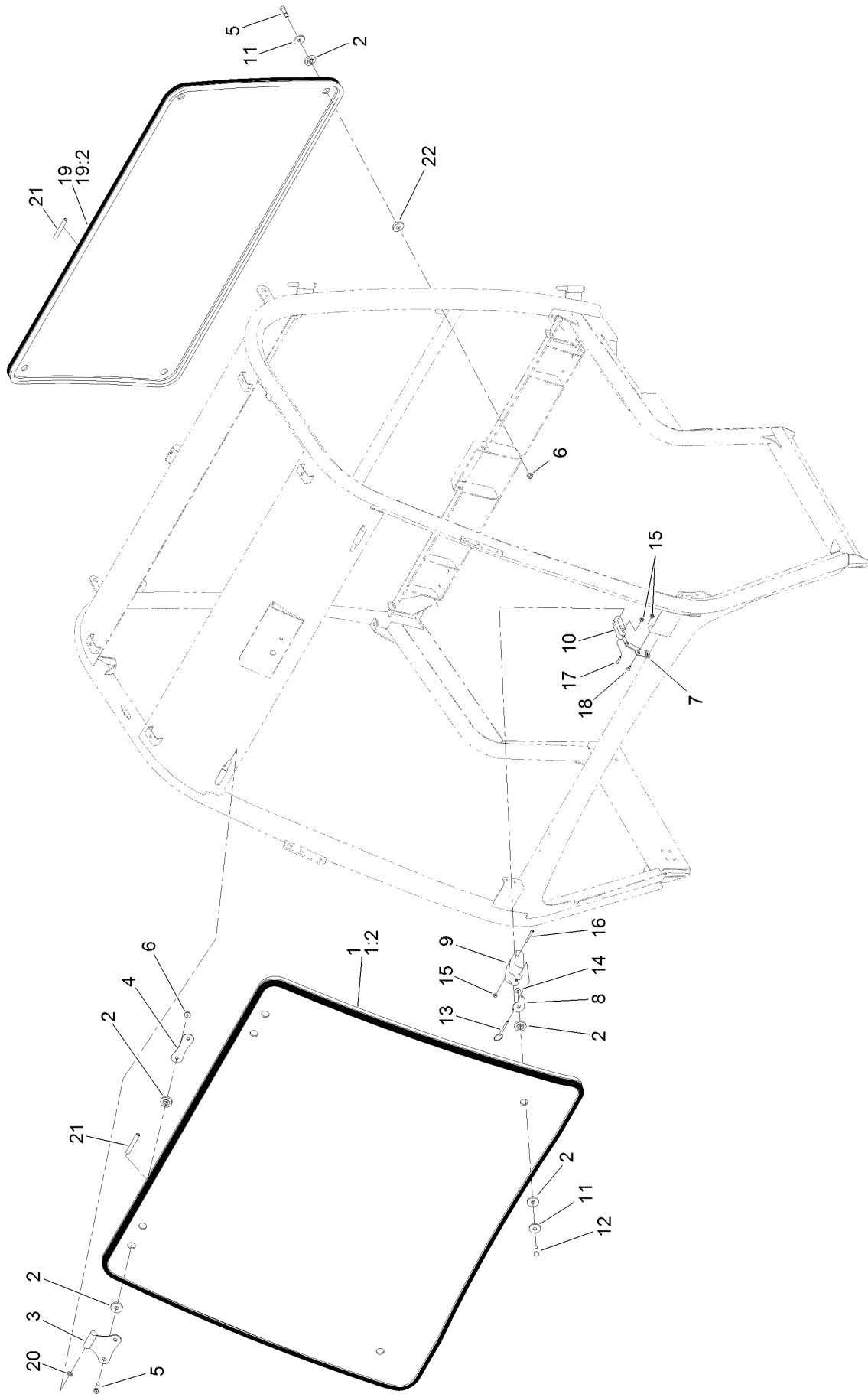
Roof, Console and Windshield Wiper Assembly



Roof, Console and Windshield Wiper Assembly (continued)

<i>Ref.</i>	<i>Part Number</i>	<i>Qty.</i>	<i>Description</i>	<i>Ref.</i>	<i>Part Number</i>	<i>Qty.</i>	<i>Description</i>
1	133-0669	1	Roof	19	104-2408	8	Screw-HSBH
2	133-1126	2	Foam-Headliner, Front	20	120-4578	8	Nut-HF
3	133-0784	1	Foam-Headliner, Center	21	42863	1	Strip-Jumper
4	133-0785	1	Foam-Headliner, Rear	22	132-3627	1	Console-Roof, Top
6	133-0775	2	Seal-Foam, Roof	23	125-7437	1	Light-Dome
7	133-1094	1	Foam-Roof, Front	24	130-5444	1	Console Panel ASM
8	133-1088	2	Seal-Foam, Roof	24:1	130-5439	1	Decal-Console
9	107069	11	Clip	25	99-7420	3	Plug-Hole
10	119-0872	5	Washer-Sealing, Bonded	26	119-8355	1	Switch-Rocker
11	32105-15	9	Screw-HWH	27	32115-15	2	Nut-Push
12	136-1942-03	1	Panel-Headliner	28	125-9603	1	Plate-Cover-Fuse
13	32104-17	6	Screw-HWH	29	125-7438	2	Knob-Screw, Thumb
14	130-6087	1	Wiper Motor ASM	30	133-1034	1	Foam-Interior
15	132-3628-03	1	Mount-Fuse Block	31	125-8067	2	Plug-Plastic
16	127-9878	1	Arm-Wiper	32	133-1078	1	Hose-Wiper Fluid
17	133-1084	1	Blade-Wiper	33	3290-378	2	Tie-Cable
18	42862	1	Block-Terminal, Ground	34	127-9905	1	Fitting-Hose, Barb

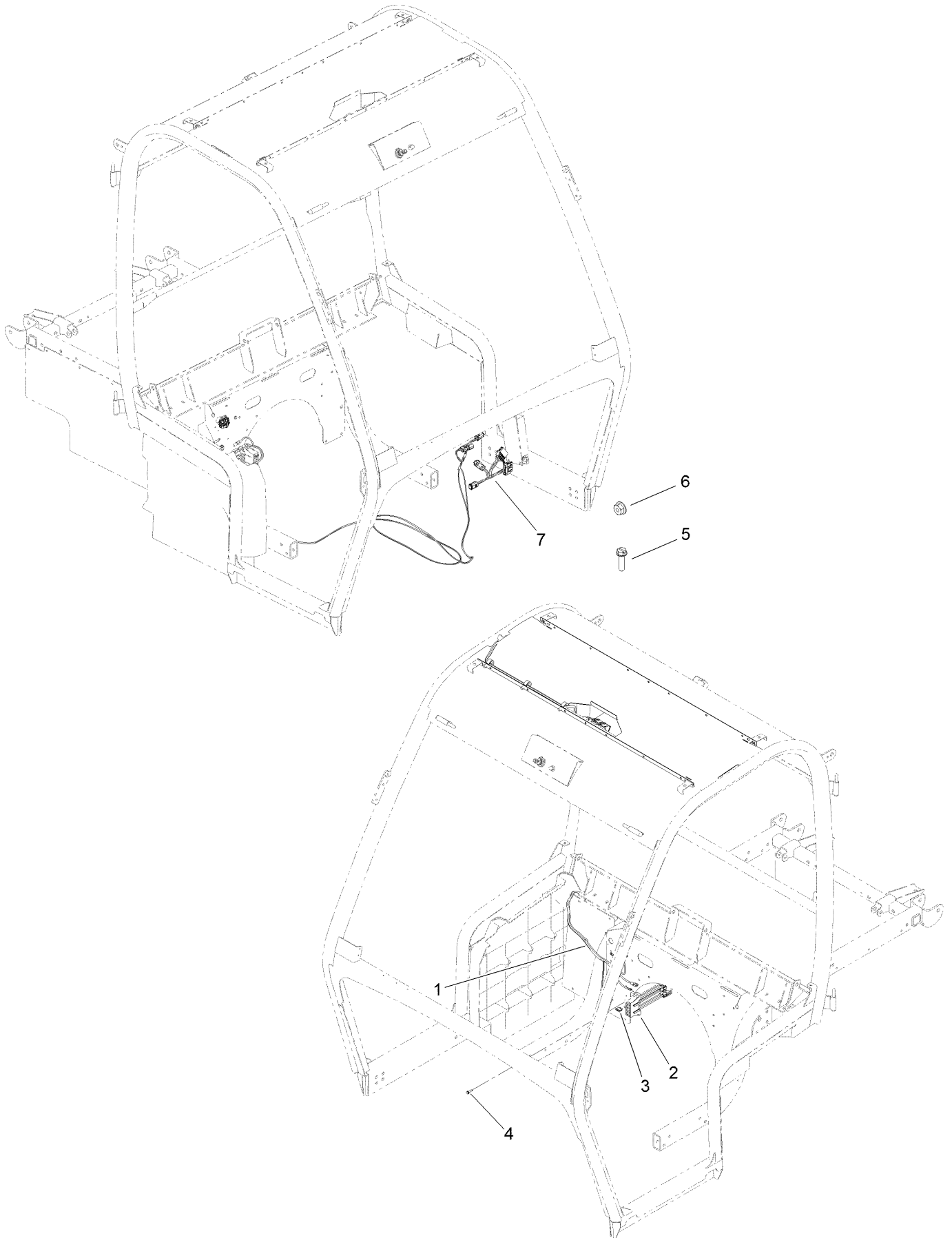
Front and Rear Window Assembly



Front and Rear Window Assembly (continued)

<i>Ref.</i>	<i>Part Number</i>	<i>Qty.</i>	<i>Description</i>	<i>Ref.</i>	<i>Part Number</i>	<i>Qty.</i>	<i>Description</i>
1	133-1081	1	Front Hinged Window ASM	12	119-9812	2	Bolt-Shoulder
1:2	132-3646	1	Seal-Trim, Front Window	13	127-9850	2	Pin-Release, Quick
2	125-9982	16	Bushing-Flange	14	104-7201	2	Nut-HF
3	121-8535	2	Hinge-Window	15	120-9681	8	Nut-Lock, NI
4	144-3307	2	Plate-Backer, Windshield	16	3274-59	2	Screw-HSH
5	125-9521	8	Screw-Shoulder, HSH	17	3274-14	2	Screw-HSH
6	104-8300	8	Nut-HF, NI	18	1-807513	4	Bolt-CARR
7	130-0590	2	Mount-Tab	19	133-1082	1	Rear Window ASM
8	144-3308	2	Mount-Latch	19:2	132-3626	1	Seal-Trim, Rear Window
9	125-9792	2	Handle-Window	20	121-8441	2	Washer-Spacer
10	125-9793	2	Link-Window	21	130-5578	2	Tubing-Seal, Rubber
11	130-5815	6	Washer-Backup	22	125-9537	4	Bushing-Flange

Wire Harness Assembly



Wire Harness Assembly (continued)

<i>Ref.</i>	<i>Part Number</i>	<i>Qty.</i>	<i>Description</i>	<i>Ref.</i>	<i>Part Number</i>	<i>Qty.</i>	<i>Description</i>
1	122-0730	1	Harness-Wire	5	32105-13	2	Screw-HWH
2	92-2641	1	Block-Fuse	6	3290-148	2	Nut-HF
3	109355	1	Fuse-Blade, 15 Amp	7	122-1720	1	Harness-Wire, Cab Adapter
4	100-4351	2	Screw-HWH				

Attachments and Accessories

For 07142 Cab Kit Workman GTX Utility Vehicle

Product Name	Model/Part
Exterior Mirror Kit.....	130-5448
Interior Mirror Kit.....	130-5449
Beacon Kit.....	130-5484
Work Light Kit.....	130-5485
Windshield Washer Fluid Kit, 2015 and after Workman MD/HD Series Utility Vehicle.....	130-5615
Door Kit.....	07150
Power Converter Kit.....	133-0959
Wide Angle Mirror Kit.....	133-1038

Notes:

Notes:

Notes:



Count on it.