



**Count on it.**

**Parts Catalog**

**Greensmaster® 1026**

**Mower**

Model No. 04840—Serial No. 409400000 and Up



# Ordering Replacement Parts

To order replacement parts, please supply the part number, the quantity, and the description of each part desired.

## Understanding Reference Numbers

Each identified part in an illustration has a reference number. The reference number for a part also appears in the parts list, along with other information about the part.

This catalog uses two special reference number formats, one to indicate parts in a service assembly and another to indicate the quantity of a given part in an illustration.

## Service Assembly Reference Numbers

Parts in service assemblies have reference numbers in the form a:b. The a represents the reference number of the entire service assembly and the b represents a sequential number unique to each part within the service assembly.

For example, a wheel assembly might be identified by reference number 6, the tire by 6:1, the valve by 6:2, and the wheel by 6:3. When you order the assembly identified by reference number 6, you receive all parts identified by reference numbers 6:1, 6:2, and 6:3. However, you may also order any part individually. Reference numbers of this type appear in illustration and in parts lists.

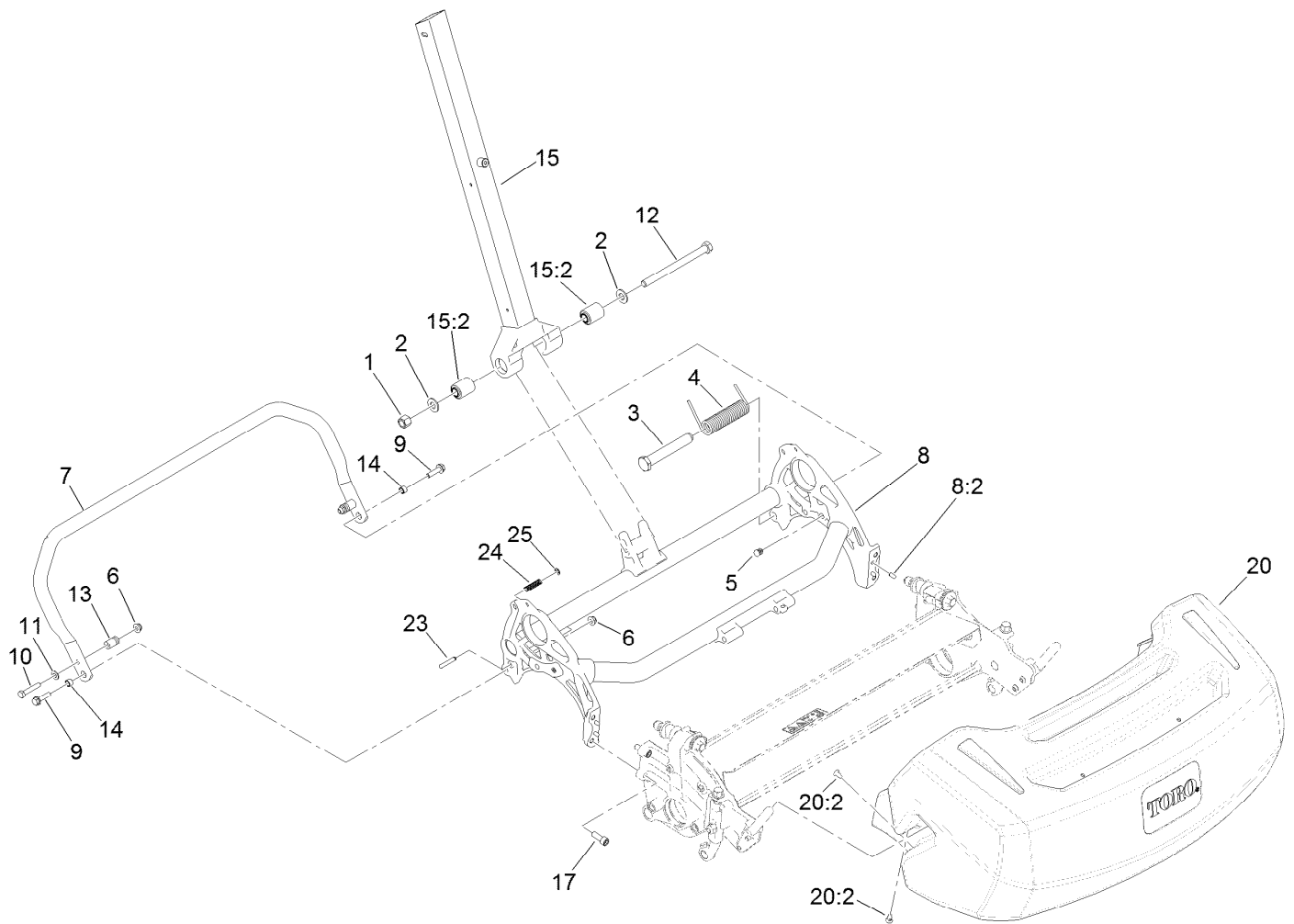
## Reference Numbers Indicating Quantity

In an illustration, if a reference number indicates more than one part, the reference number has the form nX y. The n represents the quantity of the part, the X is the multiplication symbol, and the y represents the reference number.

For example, in an illustration, the reference number 2X 37 means that two of the parts identified by reference number 37 are indicated.

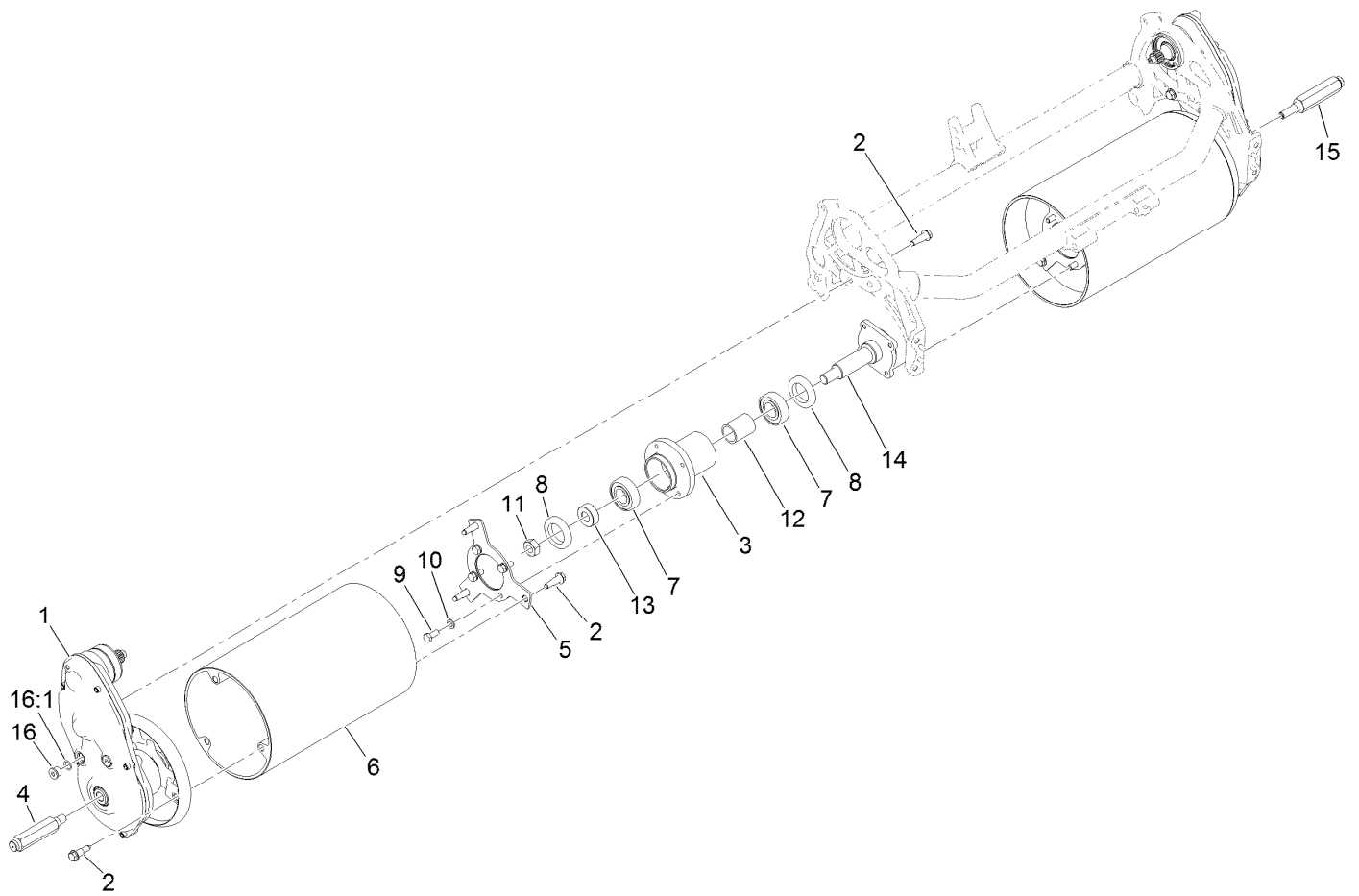
# Contents

Frame and Handle Mount Assembly .....	4
Drum Drive Assembly .....	5
Drum Drive Replacement Kit Assembly No. 140-9329 .....	6
Drum Drive Gearbox Assembly No. 132-4566 .....	7
Transmission Assembly .....	8
Engine Assembly .....	9
Engine Assembly No. 138-2142 .....	11
Transmission Gearbox Assembly No. 140-9324 Transmission Case Assembly .....	12
Transmission Gearbox Assembly No. 140-9324 Reel Drive Assembly .....	13
Transmission Gearbox Assembly No. 140-9324 Traction Drive Assembly .....	14
Differential Assembly No. 132-4555 .....	15
Reel Controls and Covers Assembly .....	16
Upper Receiver Assembly No. 140-9323 .....	17
Upper Handle Assembly .....	18
Traction Bail Assembly .....	19
Miscellaneous Parts Assembly .....	20
Attachments and Accessories .....	21



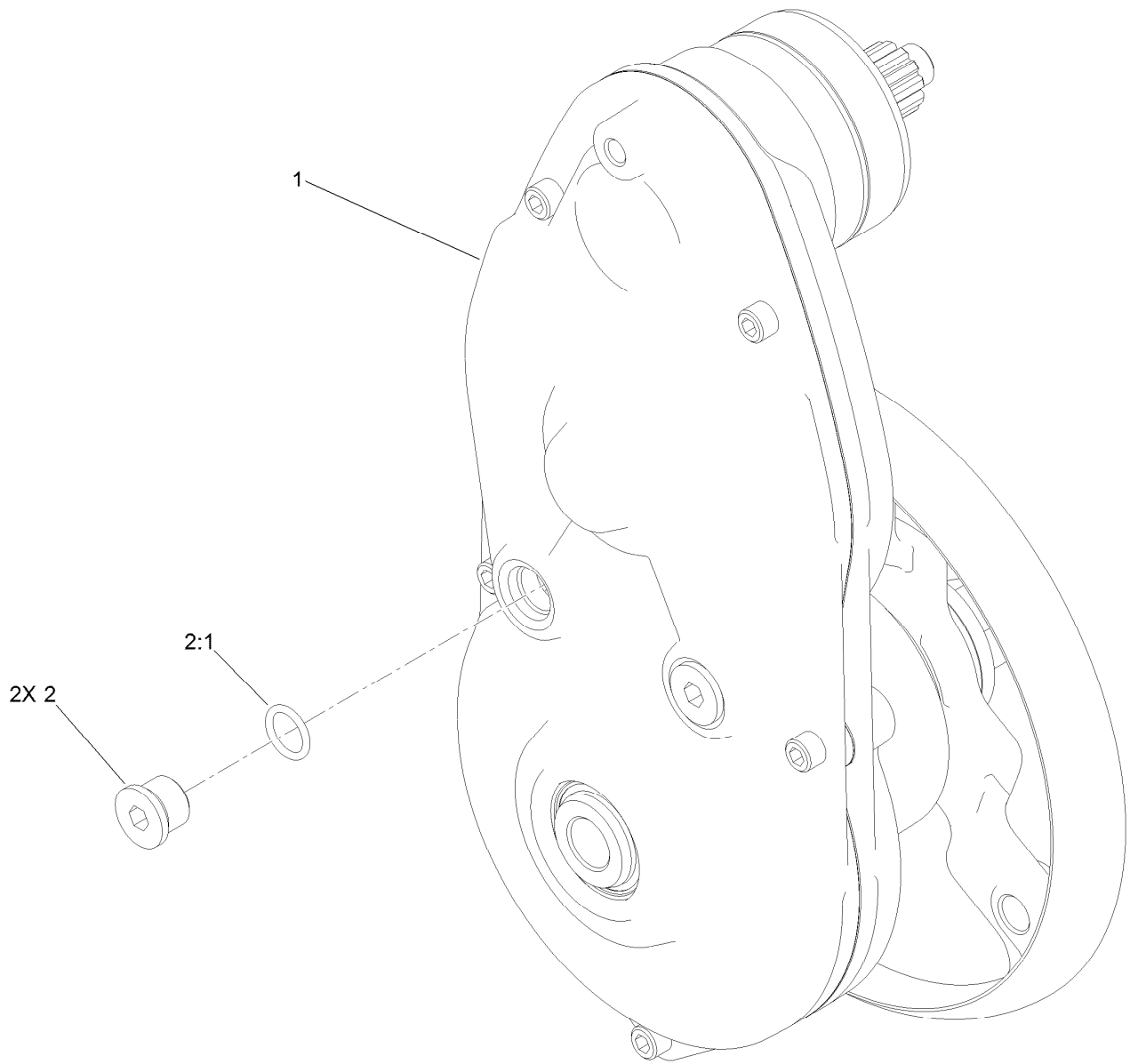
## Frame and Handle Mount Assembly

Ref.	Part Number	Qty.	Description	Ref.	Part Number	Qty.	Description
1	3296-23	1	Nut-Lock, NI	12	325-33	1	Screw-HH
2	3256-26	2	Washer-Flat	13	65-7900	2	Retainer-Spring
3	138-1510	1	Pin-Mount, Spring	14	65-7910	2	Spacer
4	138-1459	1	Spring-Torsion, LH	15	137-0292	1	Lower Handle ASM
5	139-4326	2	Plug-Plastic	15:2	138-1469	2	Bushing-Straight
6	119-4041	3	Nut-HF	17	3274-7	4	Screw-HSH
7	138-1577-03	1	Kickstand-26 Inch	20	140-9294	1	Basket-Grass, GR1026
8	138-1648	1	26 Inch Frame ASM	20:2	121-4729	4	Plug
8:2	95-0715	4	Pin-Dowel	23	139-7431	1	Pin-Kickstand, Lock
9	112-6913	2	Screw-HHF	24	73-3450	1	Spring-Compression
10	322-9	2	Screw-HH	25	32151-86	1	E-Ring
11	3256-23	2	Washer-Plain				



## Drum Drive Assembly

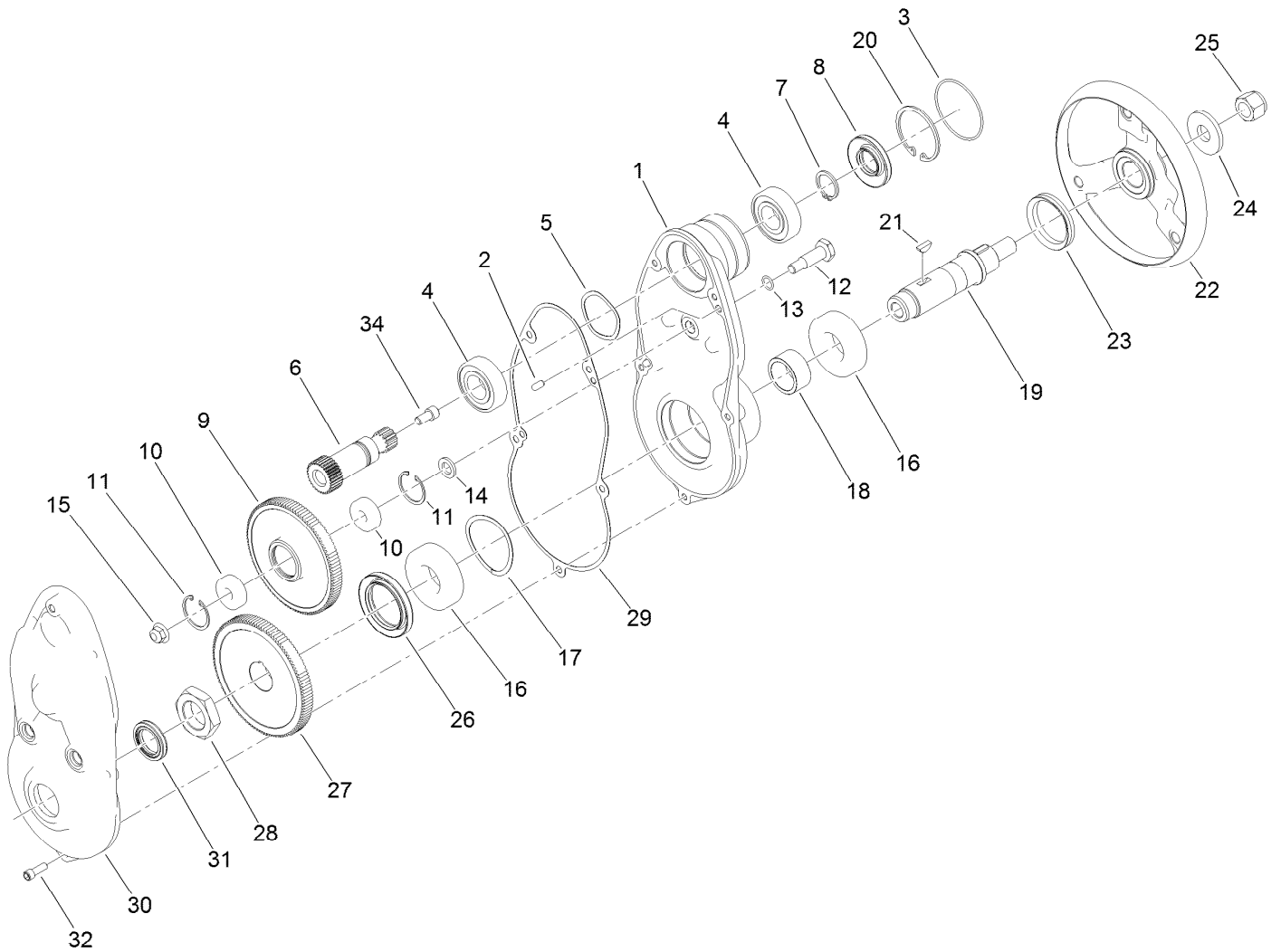
<i>Ref.</i>	<i>Part Number</i>	<i>Qty.</i>	<i>Description</i>	<i>Ref.</i>	<i>Part Number</i>	<i>Qty.</i>	<i>Description</i>
1	140-9329	1	Kit-Drum Drive Replacement	9	322-3	8	Screw-HH
2	132-4607	14	Bolt-Shoulder, Flange	10	3253-4	8	Washer-Lock
3	132-6971	1	Hub-Drum	11	3296-33	1	Nut-Lock, NI
4	132-4605	1	Shaft-Hex, RH	12	65-6520	1	Spacer
5	140-9319	2	Plate-Drum, Hub	13	65-6530	1	Spacer
6	138-1529	2	Drum-Traction, 26 Inch	14	94-5850	1	Spindle-Drum
7	251-82	2	Bearing-Ball	15	132-4606	1	Shaft-Hex, LH
8	253-159	2	Seal	16	353-989	4	Plug-Hex, Hollow
				16:1	237-42	1	O-Ring



## Drum Drive Replacement Kit Assembly No. 140-9329

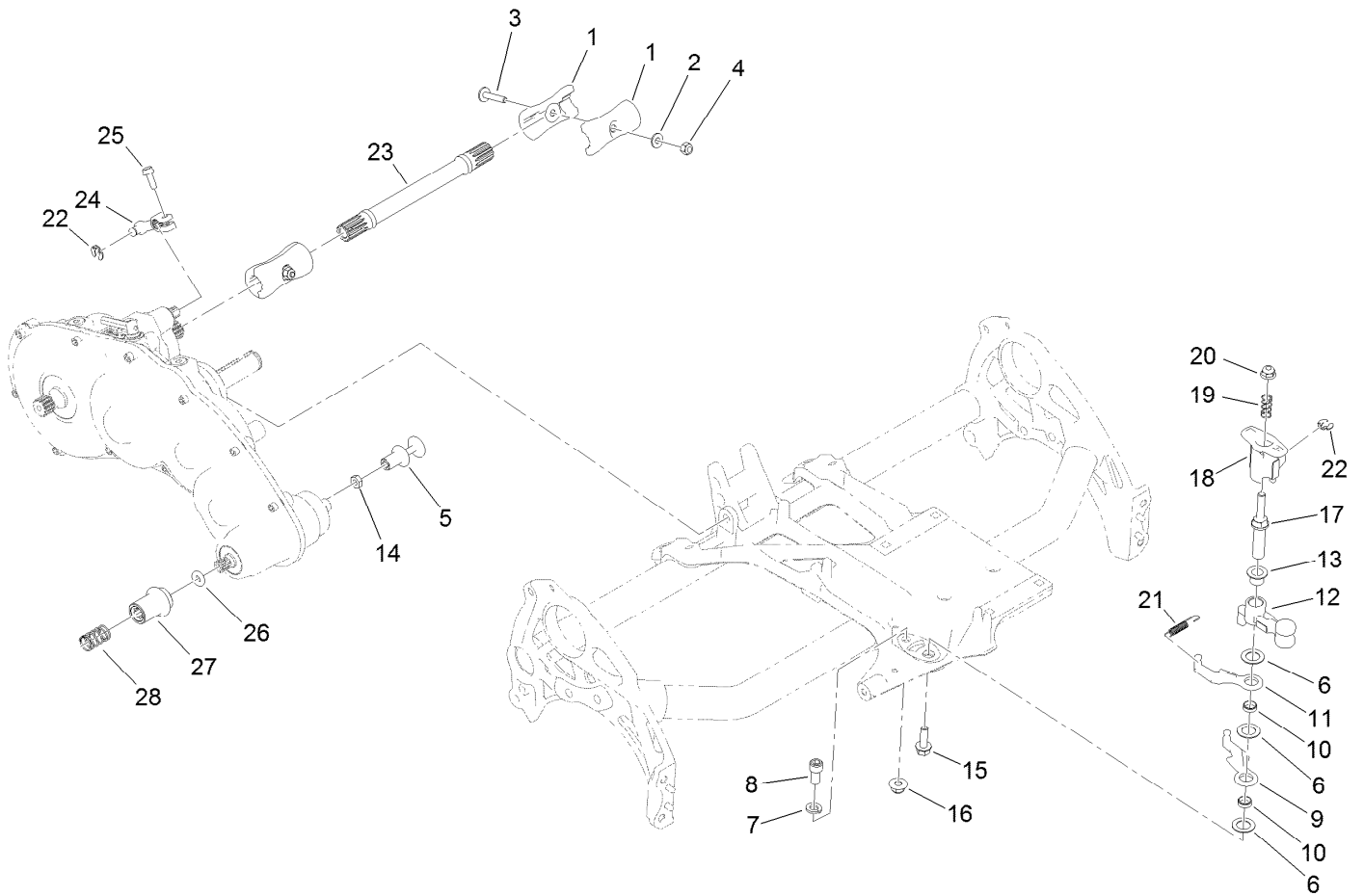
<i>Ref.</i>	<i>Part Number</i>	<i>Qty.</i>	<i>Description</i>
1		1	Drum Drive Gear Box ASM ●
2	353-989	2	Plug-Hex, Hollow
2:1	237-42	1	O-Ring

● Not serviced separately



## Drum Drive Gearbox Assembly No. 132-4566

Ref.	Part Number	Qty.	Description	Ref.	Part Number	Qty.	Description
1	137-0282	1	Housing-Drive, Drum	17	115-5258	1	Spring-Wire, Flat
2	133-4591	2	Pin-Dowel	18	132-4568	1	Spacer
3	133-9082	1	O-Ring	19	133-4562	1	Shaft-Drum, Drive
4	251-82	2	Bearing-Ball	20	138-1480	1	Ring-Retaining, Int (52Mm)
5	3290-485	1	Washer-Wave	21	138-1504	2	Key-Woodruff, 5Mm
6	132-4565	1	Gear-Spur, 30T	22	133-9244	1	Hub-Drum, Outer
7	138-1507	1	Ring-Retaining, EXT (25Mm)	23	253-161	1	Seal-V-Ring
8	138-1491	1	Seal-Oil	24	104-9216	1	Washer-Hardened
9	137-0274	1	Gear-Spur, 108T	25	126-3841	1	Nut-Hex, NI
10	49-2410	2	Bearing-Ball	26	138-1490	1	Seal-Oil
11	138-1506	2	Ring-Retaining, Int (32Mm)	27	137-0275	1	Gear-Spur, 114T
12	133-4558	1	Pin-Bearing, Short	28	133-9078	1	Nut-Hex
13	80-8460	1	O-Ring	29	132-4569	1	Gasket-Drive, Drum
14	133-4553	1	Spacer-Bearing	30	137-0284	1	Cover-Drive, Drum
15	119-4042	1	Nut-HF, NI	31	133-4559	1	Seal-Oil
16	251-312	2	Bearing-Ball	32	140-9233	5	Screw-HSH
				34	3274-12	1	Screw-HSH

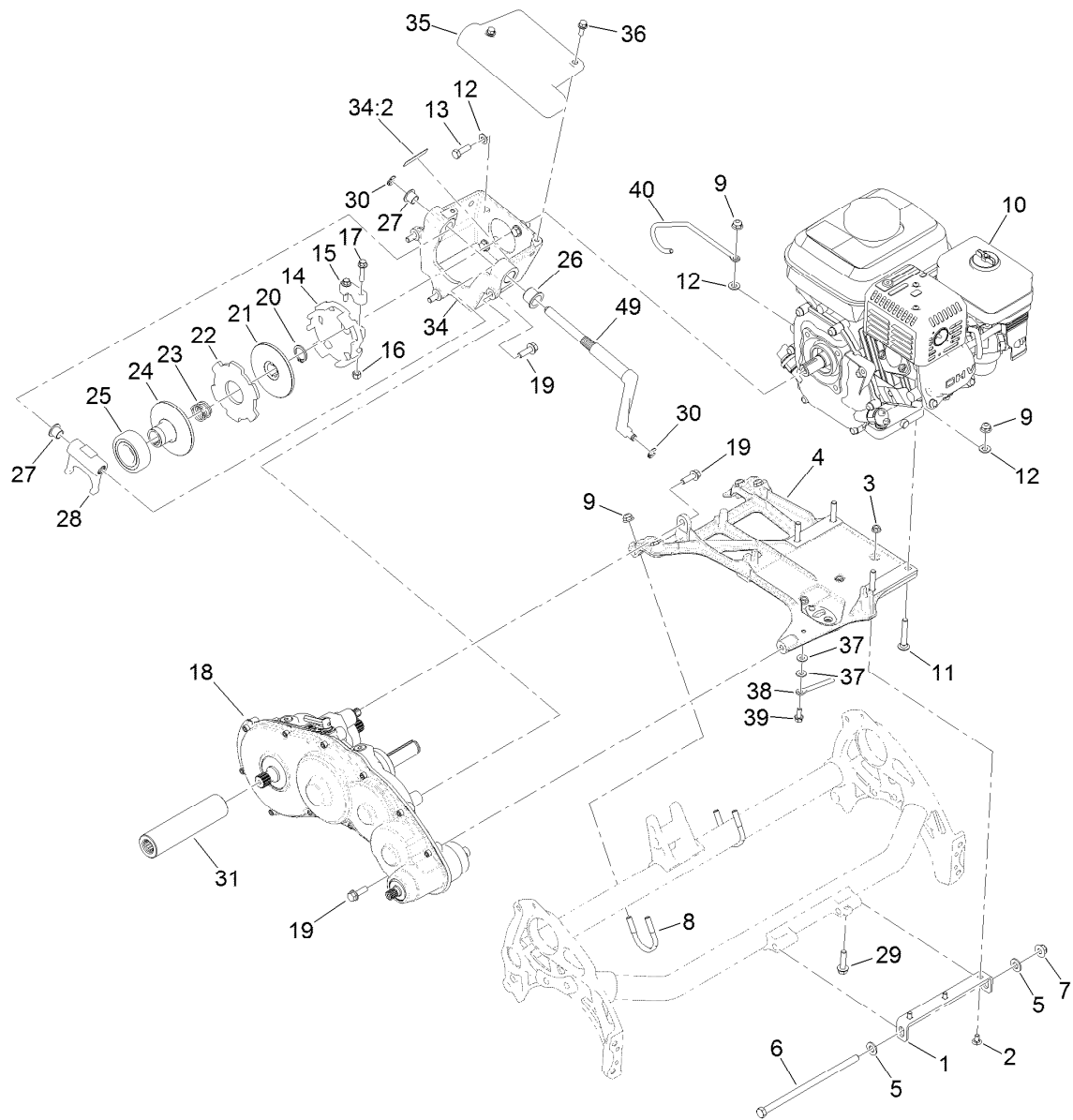


## Transmission Assembly

<i>Ref.</i>	<i>Part Number</i>	<i>Qty.</i>	<i>Description</i>
1	133-9100	4	Coupler-Splined, 4 Tooth
2	119-8952	2	Washer
3	126-8232	2	Screw-Truss
4	3296-42	2	Nut-Lock, NI
5	133-9207	1	Adapter-Slider
6	139-7362	3	Washer-Poly
7	3253-21	1	Washer-Lock
8	131-8573	1	Screw-HSH
9	138-1523	1	Reel Lever
10	133-9226	2	Bushing-Straight
11	138-1524	1	Lever-Reel
12	133-9206	1	Bellcrank-Reel
13	125-5239	1	Bushing-Flange
14	120-9638	1	Nut-Jam
15	115-5142	1	Screw-HHF

<i>Ref.</i>	<i>Part Number</i>	<i>Qty.</i>	<i>Description</i>
16	119-4042	1	Nut-HF, NI
17	137-0298	1	Shaft-Selector, Reel
18	137-0299	1	Hub-Selector, Reel
19	117-1031	1	Spring-Compression
20	119-4041	1	Nut-HF
21	119-4609	1	Spring-Extension
22	32151-47	2	Ring-Retaining
23	139-4328	1	Shaft-Drive, 26 Inch
24	133-9117	1	Lever-Brake, Cable
25	131-6150	1	Screw-HWHTF
26	139-4357	1	O-Ring
27	132-4619	1	Tube-Drive, Reel
28	133-9128	1	Spring-Compression, Coupler

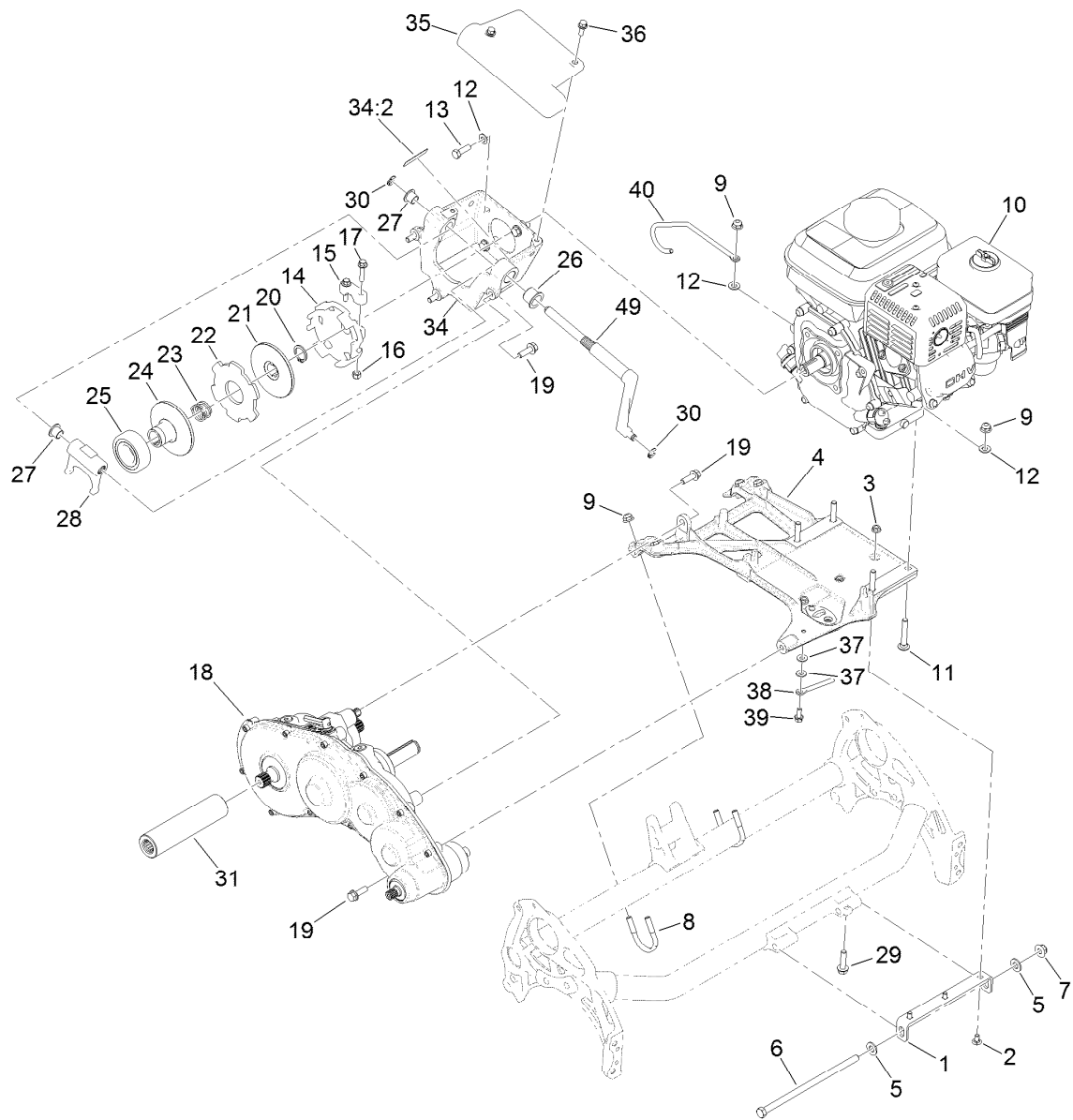




## Engine Assembly

Ref.	Part Number	Qty.	Description	Ref.	Part Number	Qty.	Description
1	138-1623-01	1	Bracket-Mount, Engine	18	140-9324	1	Kit-Transmission Replacement
2	116-5611	3	Bolt-Carrige 1/4-20 X 1/2 Short Neck	19	115-5142	5	Screw-HHF
3	32128-10	3	Nut-Lock, HHF	20	32151-33	1	Ring-Retaining, EXT
4	138-5517	1	Base-Engine	21	133-9095	1	Disc-Clutch
5	3256-24	2	Washer-Flat	22	133-9094	1	Plate-Friction
6	323-30	1	Screw-HH	23	133-9123	1	Spring-Compression, Clutch
7	119-4042	1	Nut-HF, NI	24	138-1508	1	Disc-Clutch, Slider
8	137-0301	2	Clamp-Tube	25	138-1505	1	Bearing-Sealed, Self Aligning
9	119-4041	8	Nut-HF	26	132-4089	1	Bushing
10	138-2142	1	Engine ASM ●	27	125-5239	2	Bushing-Flange
11	3230-6	4	Bolt-CARR	28	138-3548	1	Fork-Clutch
12	3256-23	8	Washer-Plain	29	112-6913	1	Screw-HHF
13	131-5919	4	Screw-HH, Patch	30	32151-47	2	Ring-Retaining
14	138-3542	1	Hub-Clutch, External	31	138-1616	1	Tube-Drive
15	138-5522	1	Clamp-Hub, Clutch	34	139-4301	1	Bell Housing ASM
16	3296-42	2	Nut-Lock, NI	34:2	120-9570	1	Decal-Warning
17	127-8639	2	Screw-HHF				

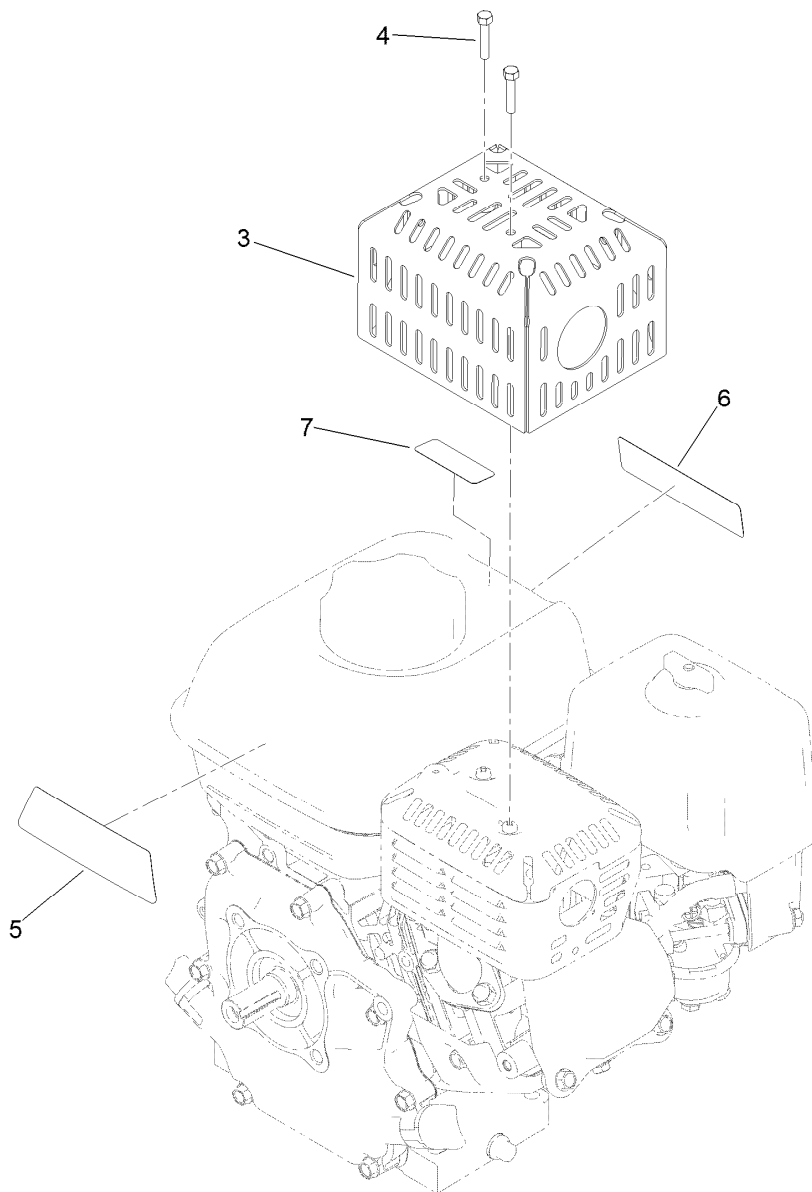
● Obtain parts from [www.honda-engines.com](http://www.honda-engines.com)



## Engine Assembly (continued)

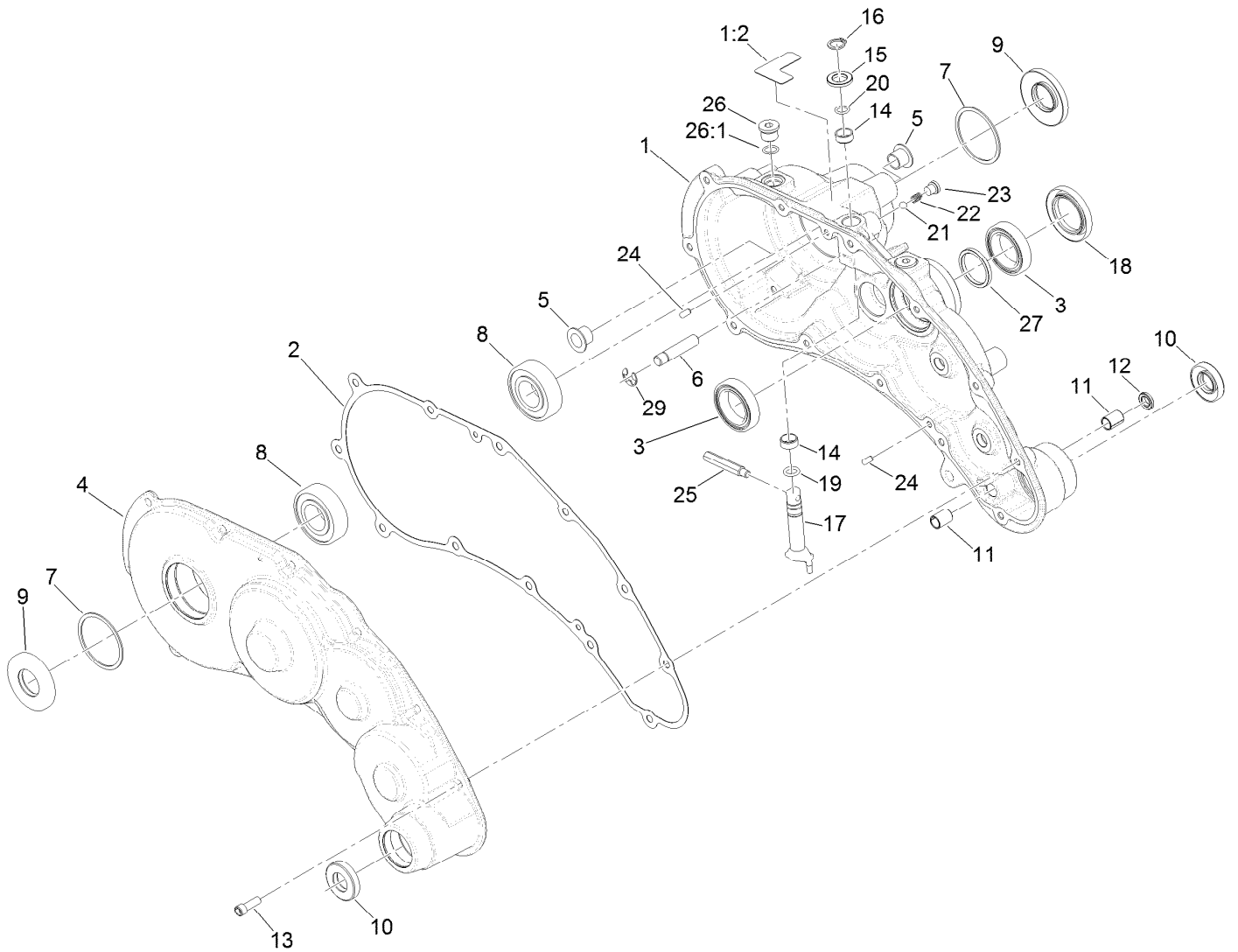
<i>Ref.</i>	<i>Part Number</i>	<i>Qty.</i>	<i>Description</i>	<i>Ref.</i>	<i>Part Number</i>	<i>Qty.</i>	<i>Description</i>
35	138-5545	1	Cover-Clutch	39	3234-33	1	Screw-HHF
36	120-9678	2	Screw-HHF	40	139-4309	1	Guide-Cable
37	3256-22	2	Washer-Flat	49	138-3549	1	Shaft-Fork
38	138-1591	1	Guide-Cable				

● Obtain parts from [www.honda-engines.com](http://www.honda-engines.com)



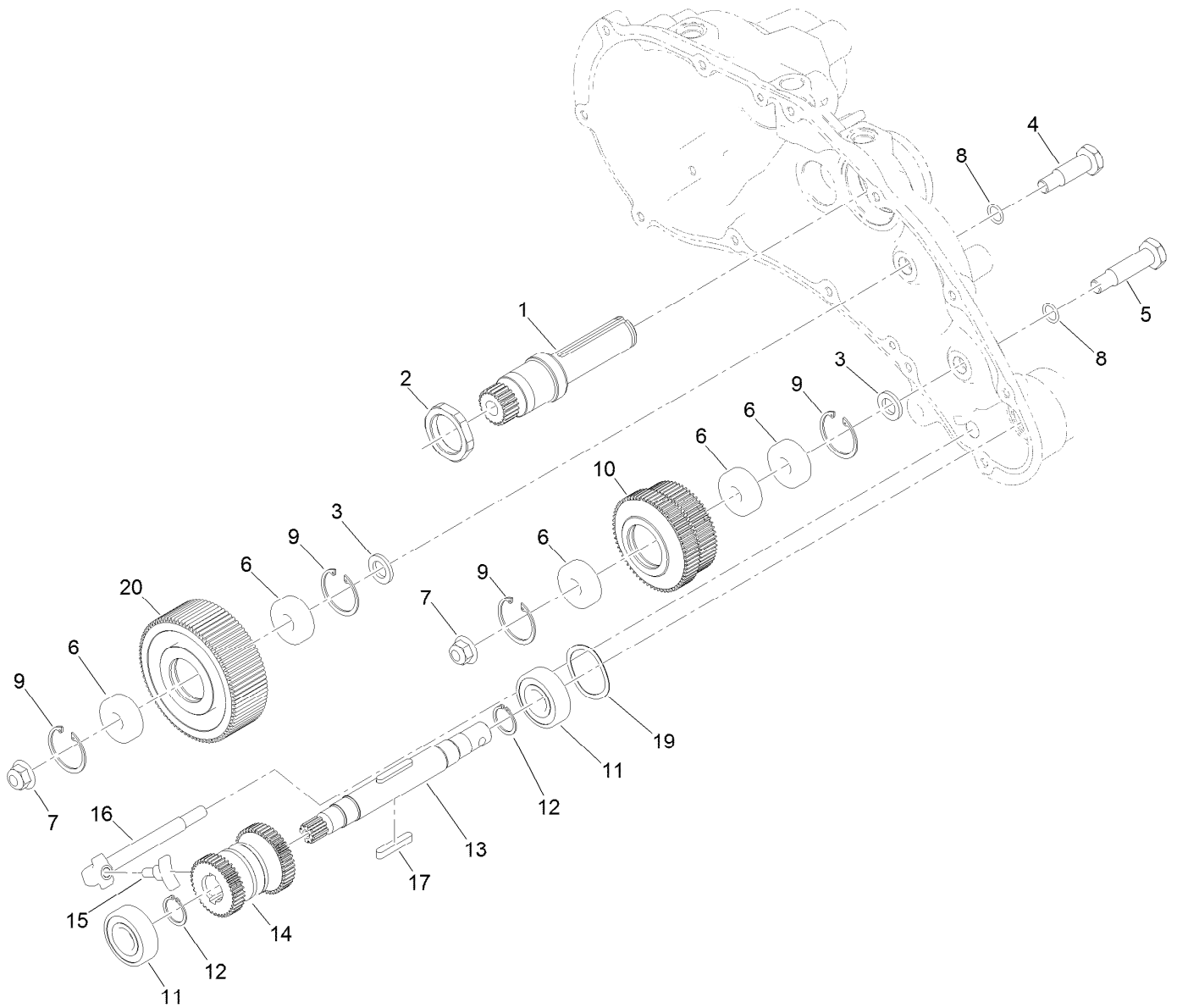
## Engine Assembly No. 138-2142

<i>Ref.</i>	<i>Part Number</i>	<i>Qty.</i>	<i>Description</i>
3	138-2128-03	1	Guard-Muffer
4	87-5150	2	Screw-HH
5	138-2138	1	Decal-Warning, Engine
6	133-8062	1	Decal-Arrestor, Spark
7	130-8322	1	Decal-Warning, Ethanol



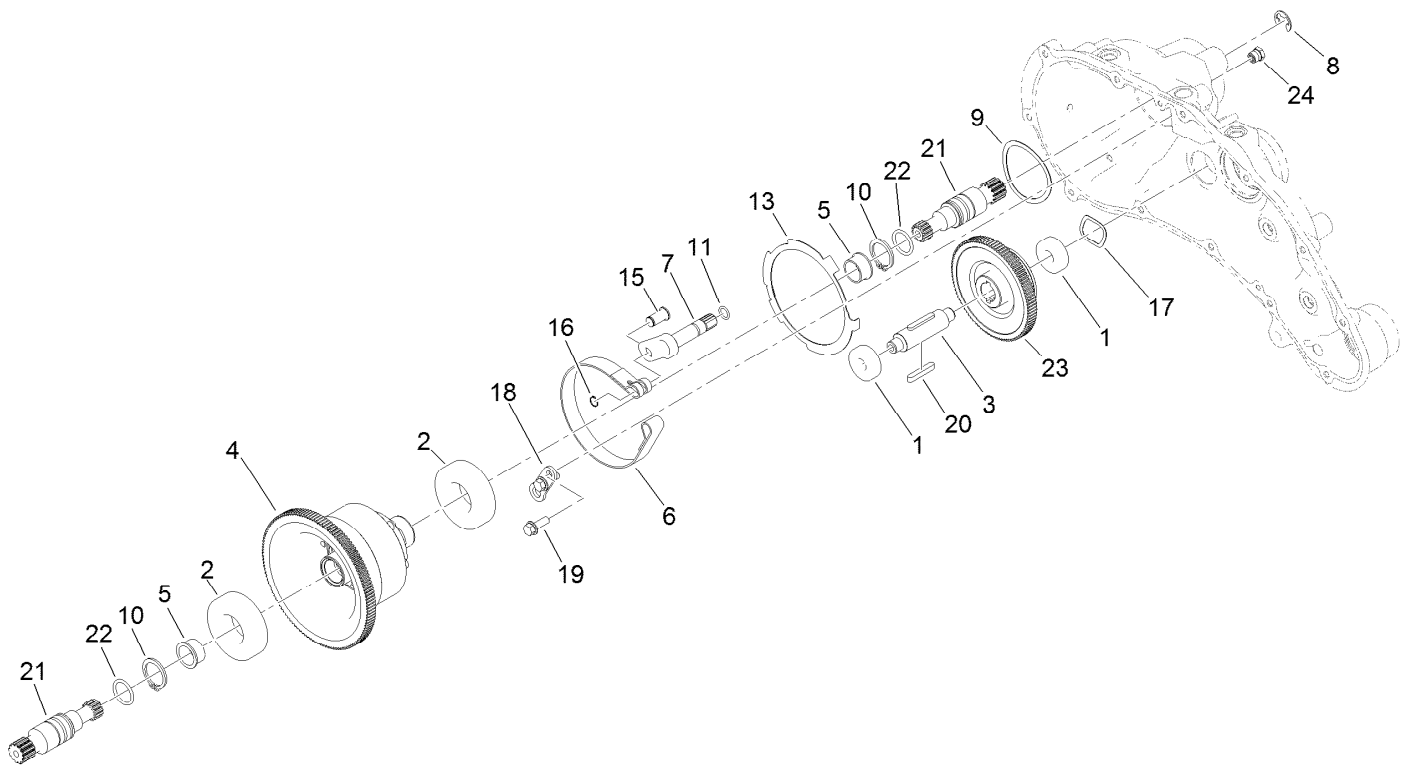
## Transmission Gearbox Assembly No. 140-9324 Transmission Case Assembly

<i>Ref.</i>	<i>Part Number</i>	<i>Qty.</i>	<i>Description</i>	<i>Ref.</i>	<i>Part Number</i>	<i>Qty.</i>	<i>Description</i>
1	139-4306	1	Transmission Housing ASM	15	108-5059	1	Spacer-Bushing
1:2	138-1644	1	Decal-Release, Traction	16	32151-61	1	Ring-Retaining
2	132-4551	1	Gasket-Transmission	17	130-6816	1	Shaft-Selector, Traction
3	121-9281	2	Bearing-Ball	18	140-9325	1	Seal-Grease, High Temp
4	138-1603	1	Transmission Cover ASM	19	131-1879	1	O-Ring Seal
5	125-5239	2	Bushing-Flange	20	237-22	1	O-Ring
6	133-9122	1	Pin-Mount, Brake	21	105-2442	1	Ball-Detent
7	32151-92	2	Ring-Retaining	22	105-2443	1	Spring-Detent
8	251-82	2	Bearing-Ball	23	131-1825	2	Plug-ORB
9	133-9075	2	Seal-Oil	24	121-9249	2	Pin-Dowel
10	130-9463	2	Seal-Oil	25	133-9149	1	Pin-Groomer
11	131-3038	2	Bushing-Sleeve	26	353-989	2	Plug-Hex, Hollow
12	131-3126	1	Seal-Oil	26:1	237-42	1	O-Ring
13	140-9233	12	Screw-HSH	27	138-1496	1	Spacer
14	121-4738	2	Bushing-Straight	29	105-7004	1	E-Ring



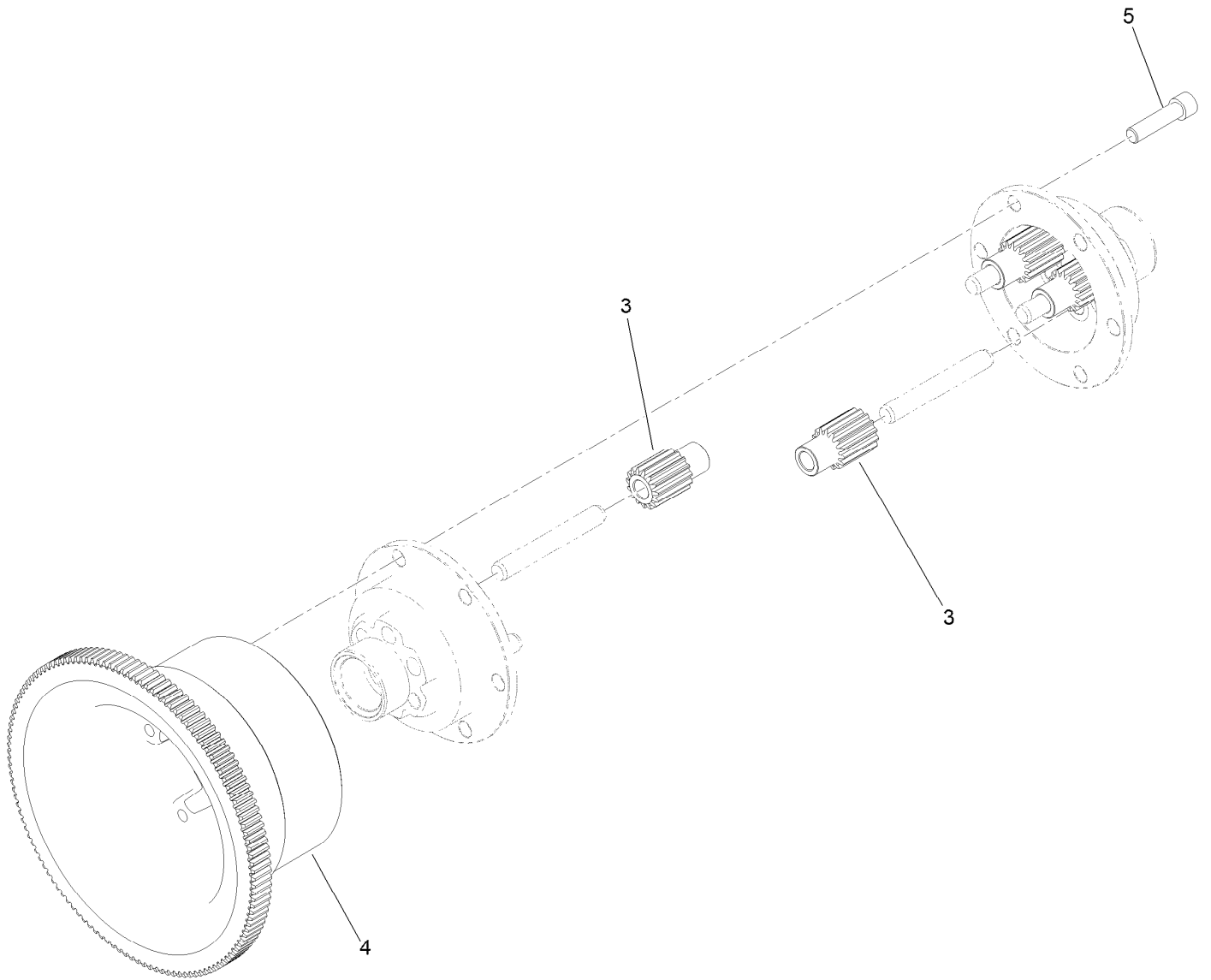
## Transmission Gearbox Assembly No. 140-9324 Reel Drive Assembly

<i>Ref.</i>	<i>Part Number</i>	<i>Qty.</i>	<i>Description</i>	<i>Ref.</i>	<i>Part Number</i>	<i>Qty.</i>	<i>Description</i>
1	138-1509	1	Shaft-Input, 22T	11	38-7820	2	Bearing-Ball
2	138-1495	1	Nut-Lock, Thin	12	138-1629	2	Ring-Retaining, EXT (17Mm)
3	133-4553	2	Spacer-Bearing	13	139-4359	1	Shaft-Drive, Reel
4	133-4558	1	Pin-Bearing, Short	14	130-6834	1	Gear-Spur, Slider
5	133-4557	1	Pin-Bearing, Long	15	133-9120	1	Shoe-Clutch, Reel
6	49-2410	5	Bearing-Ball	16	133-9121	1	Actuator-Clutch, Reel
7	104-8301	2	Nut-HF, NI	17	103-2739	2	Key
8	80-8460	2	O-Ring	19	131-3170	1	Spring-Wave
9	138-1506	4	Ring-Retaining, Int (32Mm)	20	137-0273	1	Gear-Spur, 85T
10	137-0272	1	Gear-Spur, 60T/65T				



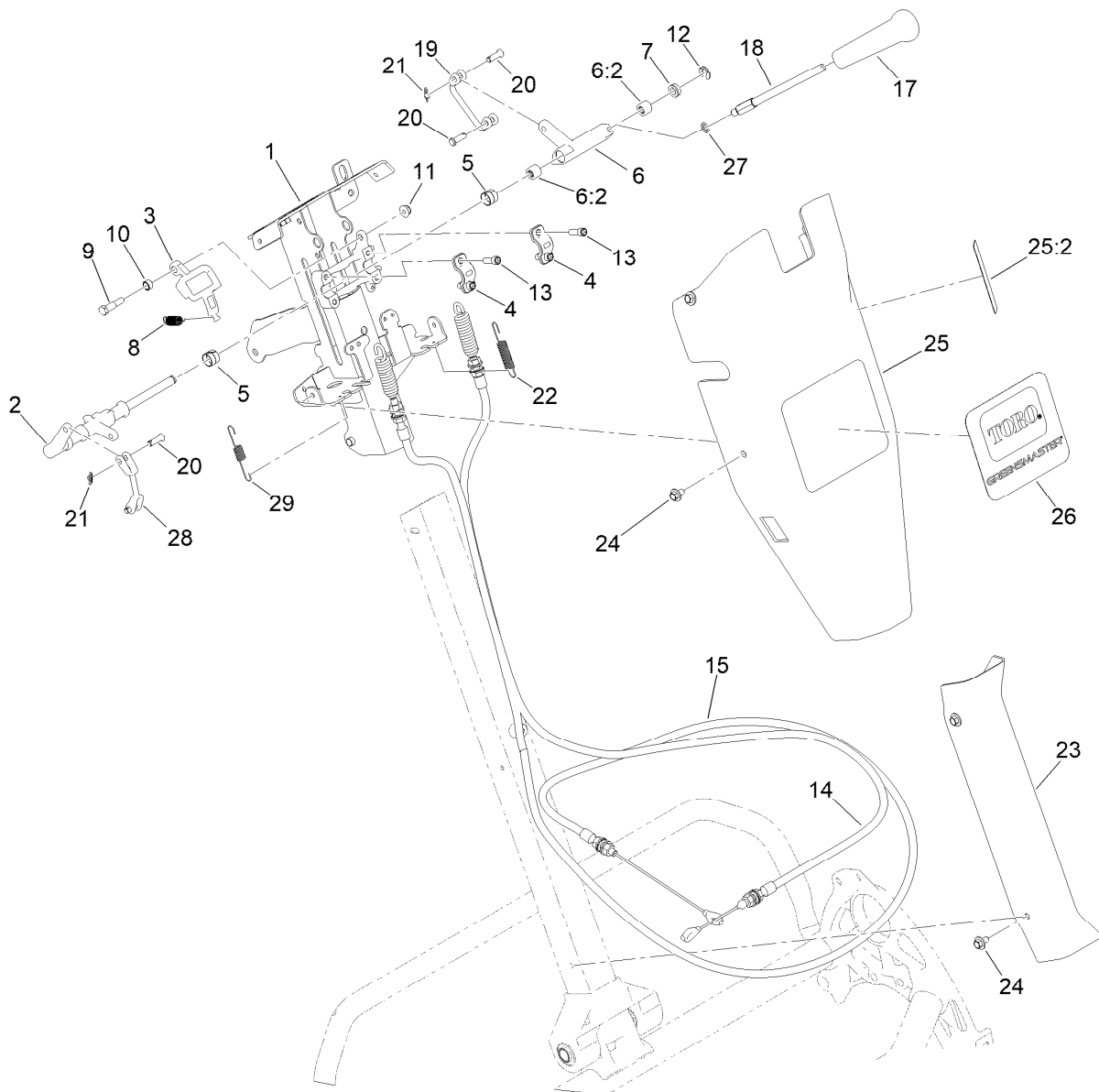
## Transmission Gearbox Assembly No. 140-9324 Traction Drive Assembly

<i>Ref.</i>	<i>Part Number</i>	<i>Qty.</i>	<i>Description</i>	<i>Ref.</i>	<i>Part Number</i>	<i>Qty.</i>	<i>Description</i>
1	49-2410	2	Bearing-Ball	13	140-9236	1	Plate-Retainer, Brake
2	251-312	2	Bearing-Ball	15	120-9687	1	Pin-Clevis, Brake
3	137-0236	1	Shaft-Slider, Neutral	16	32120-46	1	Ring-Retaining
4	132-4555	1	Differential ASM	17	112-5163	1	Washer-Wave
5	256-252	2	Bearing-Flange	18	140-9279	1	Plate-Retainer, Pin
6	140-9277	1	Band-Brake	19	119-1138	2	Screw-HWH
7	132-4550	1	Lever-Brake	20	103-2739	2	Key
8	32120-47	1	Ring-Retaining, External	21	130-6841	2	Shaft-Differential
9	115-5258	1	Spring-Wire, Flat	22	237-159	2	O-Ring
10	32151-36	2	Ring-Retaining	23	137-0276	1	Gear-Spur, Neutral (93T)
11	237-22	1	O-Ring	24	133-4589	1	Fitting-Plug



## Differential Assembly No. 132-4555

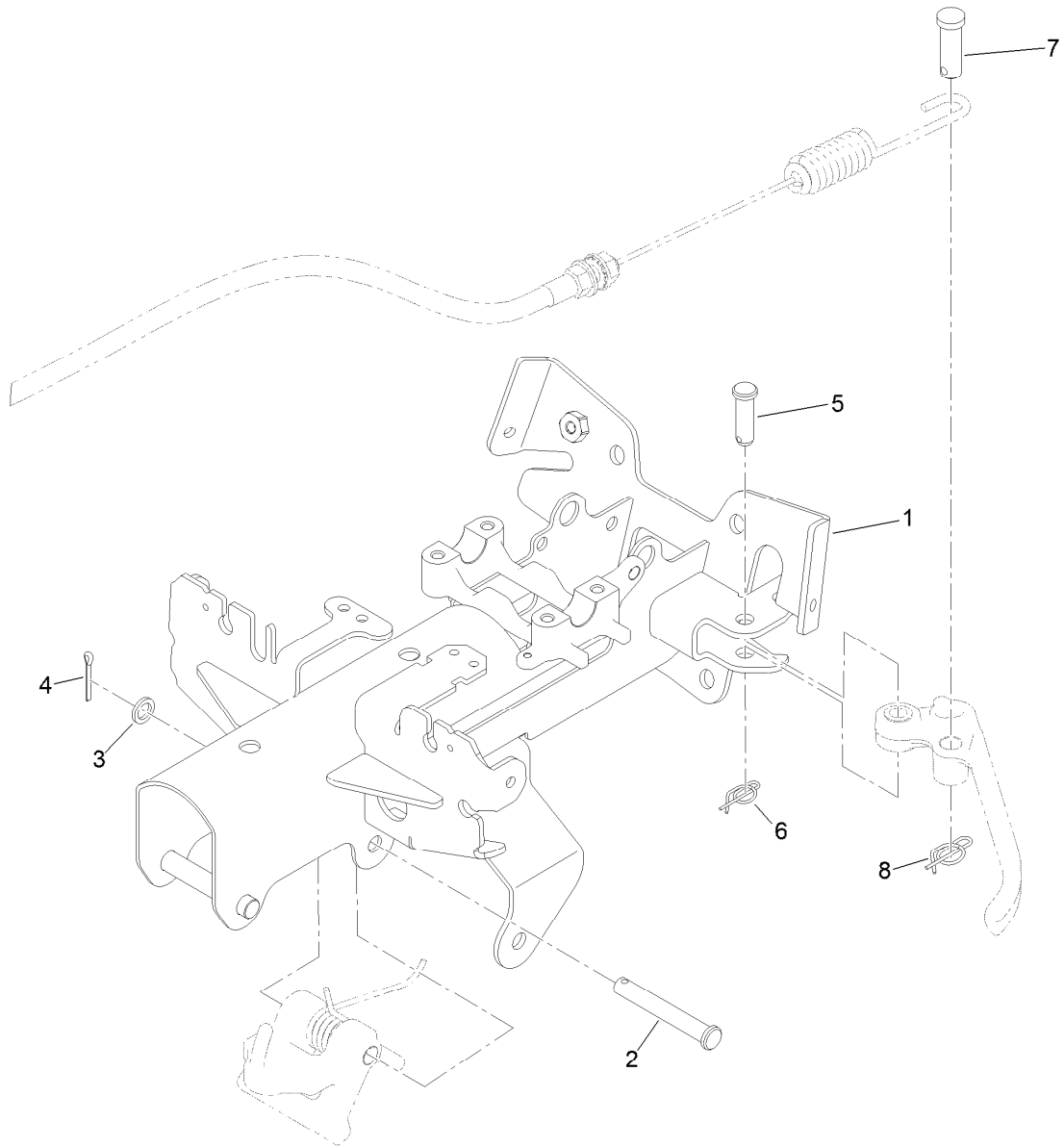
<i>Ref.</i>	<i>Part Number</i>	<i>Qty.</i>	<i>Description</i>
3	130-6840	6	Gear-Spur, Differential
4	137-0294	1	Gear-Differential, 127T
5	3274-26	6	Screw-HSH



## Reel Controls and Covers Assembly

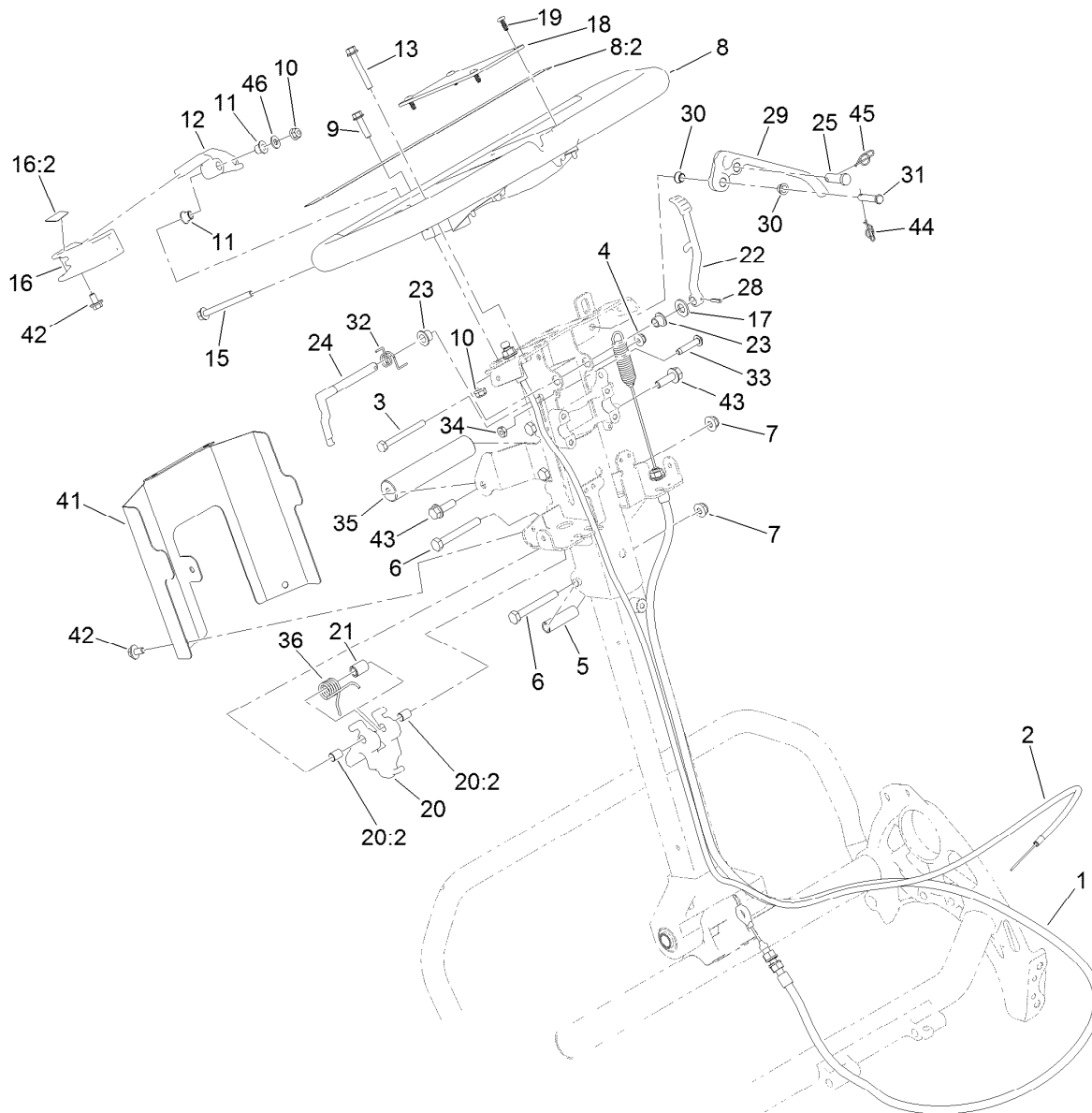
Ref.	Part Number	Qty.	Description	Ref.	Part Number	Qty.	Description
1	140-9323	1	Kit- Upper Receiver Replacement	15	137-0181	1	Cable-Traction
2	140-9305	1	Shaft-Main, Controls	17	104-9760	1	Knob-Black
3	137-0266	1	Cam-Latch, Upper	18	137-0190	1	Rod-Handle, Reel Lever
4	138-1513	2	Clamp-Shaft, Control	19	137-0232	1	Connector-Clevis
5	137-0263	2	Bushing-Split	20	1-808265	4	Pin-Clevis
6	137-0312	1	Reel Lever ASM	21	138-1587	2	Clip-Pin, Cotter
6:2	138-1637	2	Bearing-Needle	22	138-1536	1	Spring-Extension
7	131-3187	1	Seal-V-Ring	23	138-1479	1	Cover-Handle, Lower
8	140-3410	1	Spring-Extension	24	46-6810	8	Screw And Washer ASM
9	137-0313	1	Screw-Shoulder	25	139-4304	1	Control Upper Cover ASM
10	137-0346	1	Spacer-Latch, Bail	25:2	138-1589	1	Decal-Reel Drive Engagement
11	104-7201	1	Nut-HF	26	138-1581	1	Decal-Greensmaster 1026
12	32151-47	1	Ring-Retaining	27	75-5470	1	Spacer-Bearing
13	3274-8	4	Screw-HSH	28	138-1592	1	Connector-Clevis
14	137-0180	1	Cable-Clutch	29	140-3417	1	Spring-Extension





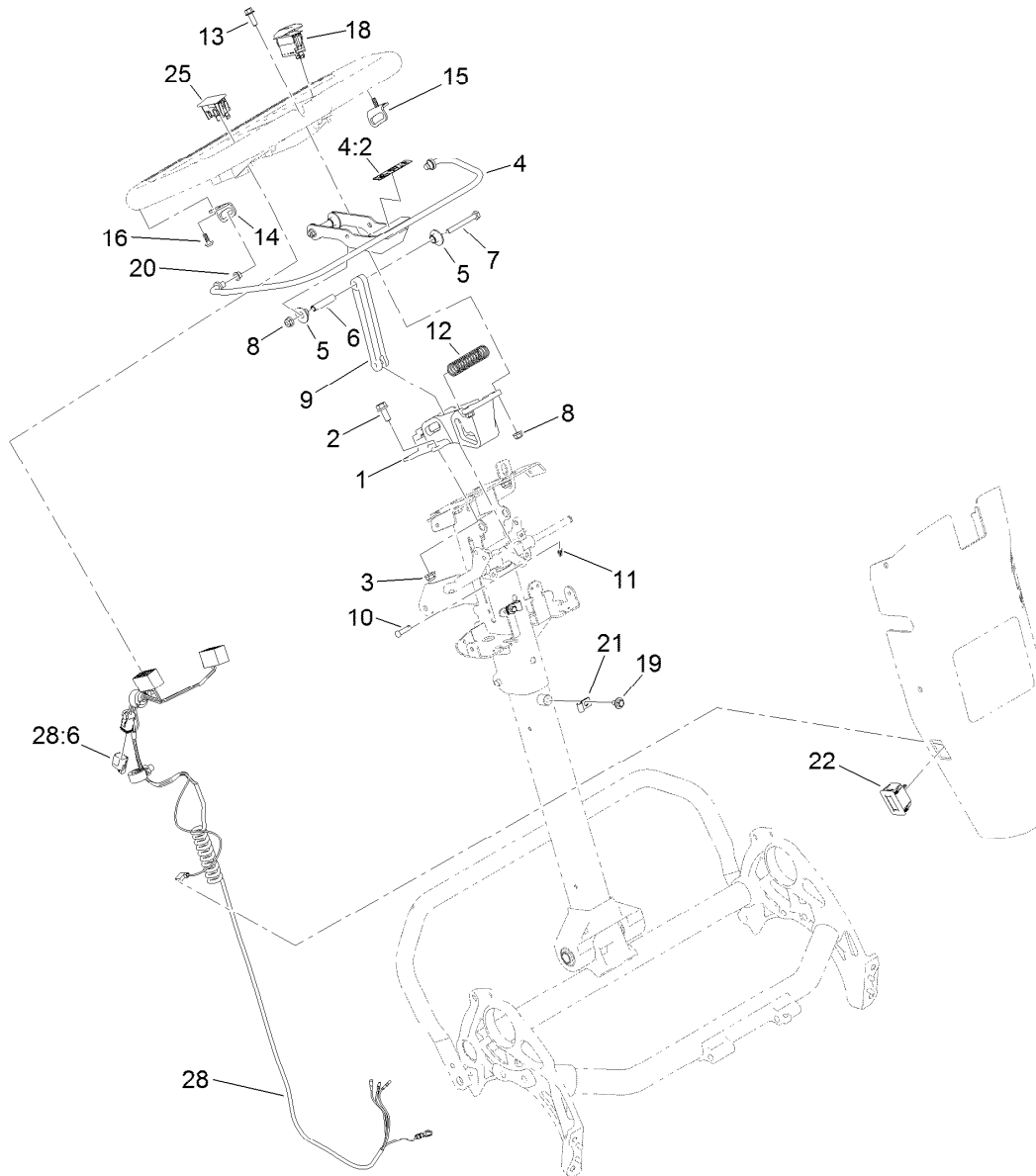
## Upper Receiver Assembly No. 140-9323

<i>Ref.</i>	<i>Part Number</i>	<i>Qty.</i>	<i>Description</i>
1	140-9306-0P	1	Upper Receiver, Welded
2	110-0618	1	Pin-Clevis
3	75-5470	1	Spacer-Bearing
4	3272-6	1	Pin-Cotter
5	283-61	1	Pin-Yoke
6	116-6639	1	Pin-Cotter, Locking
7	1-808285	1	Pin-Clevis
8	140-9312	1	Pin-Cotter, Locking



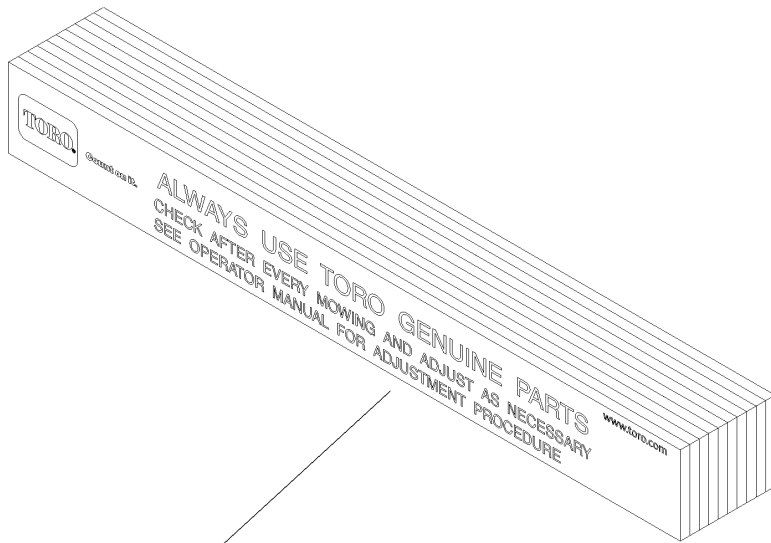
## Upper Handle Assembly

Ref.	Part Number	Qty.	Description	Ref.	Part Number	Qty.	Description
1	140-9318	1	Cable ASM, Brake	20:2	137-0308	2	Bushing-Igus
2	137-0182	1	Cable-Throttle	21	137-0318	1	Spacer-Spring
3	321-15	1	Screw-HH	22	140-3377	1	Lever-Lock, Brake
4	104-7201	1	Nut-HF	23	138-1514	2	Bushing-Flange
5	110-0618	1	Pin-Clevis	24	138-1573	1	Latch-Brake
6	75-5470	1	Spacer-Bearing	25	1-808285	1	Pin-Clevis
7	3272-6	1	Pin-Cotter	28	32121-73	1	Pin-Roll
8	138-1645	1	Handle ASM	29	140-9298	1	Lever-Brake
8:2	138-5532	1	Decal-Warning, General	30	138-5538	2	Bushing-Flange
9	120-4654	2	Screw-HHF	31	283-6	1	Pin-Clevis
10	119-4040	3	Nut-Flange, NI	32	138-1518	1	Spring-Brake, Torsion
11	138-3538	2	Bushing-Flange	33	132-6777	1	Screw-TTH
12	138-1636	1	Arm-Throttle	34	120-9695	1	Nut-Jam
13	138-5527	1	Screw-HHF	35	138-1535	1	Handle-Assist, Lift
15	140-9317	1	Screw-HHF,Lock	36	138-1481	1	Spring-Handle, Torsion
16	139-4303	1	Throttle Lever ASM	41	138-5530-03	1	Cover-Bottom, Controls
16:2	138-5534	1	Decal-Throttle	42	46-6810	3	Screw And Washer ASM
17	100-4852	1	Washer-Hardened	43	115-5142	2	Screw-HHF
18	138-5514	1	Plate-Notepad, Handle	44	116-6639	1	Pin-Cotter, Locking
19	127-6843	4	Screw-Plastite, Torx Pan	45	140-9312	1	Pin-Cotter, Locking
20	137-0317	1	Handle Adjuster ASM	46	139-1323	1	Washer-Spcl

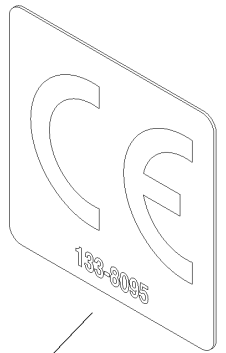


## Traction Bail Assembly

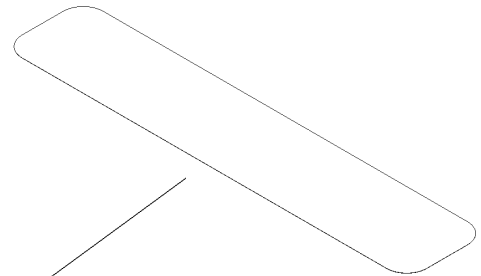
<i>Ref.</i>	<i>Part Number</i>	<i>Qty.</i>	<i>Description</i>	<i>Ref.</i>	<i>Part Number</i>	<i>Qty.</i>	<i>Description</i>
1	138-5524	1	Mount-Handle	13	120-9678	2	Screw-HHF
2	3234-47	2	Screw-HHF	14	138-3539	1	Bracket-Bail, RH
3	119-4041	2	Nut-HF	15	138-3540	1	Bracket-Bail, LH
4	139-4302	1	Clutch Bail ASM	16	138-5775	2	Screw-Delta Point
4:2	138-5533	1	Decal-Bail, Traction	18	122-1497	1	Switch-Rocker, On-None-Off
5	138-3466	4	Bushing-Flange	19	46-6810	2	Screw And Washer ASM
6	138-3465	2	Spacer-Tube	20	138-5538	2	Bushing-Flange
7	321-18	2	Screw-HH	21	2412-91	2	Clamp
8	119-4040	4	Nut-Flange, NI	22	119-1347	1	Meter-Hour
9	138-5515	1	Link-Bail, Clutch	25	119-7791	1	Plug-Hole, Carling
10	353-322	1	Pin-Clevis	28	122-1416	1	Harness-Wire
11	138-1587	1	Clip-Pin, Cotter	28:6	32180-091	1	Cap-Dust, 2 Way
12	138-3468	1	Spring-Compression				



1



8



2

## Miscellaneous Parts Assembly

Ref.	Part Number	Qty.	Description
1	125-5610	1	Paper-Reel, Toro (10 Pack)
2	140-5531	1	Shim-Toro Reel (.002In)
8	133-8095	1	Decal-CE

# Attachments and Accessories

## For 04840 Greensmaster 1026 Mower

Product Name	Model/Part
Premium Engine Oil 10w30 (55 Gallon Drum) .....	121-6392
Turf Evaluator .....	04399
Premium Engine Oil 10w30 (5 Gallon Pail) .....	121-6393
8-Blade 26in Fixed EDGESERIES CU.....	04842
11-Blade 26in Fixed EDGESERIES CU.....	04843
Split Full 26in Roller.....	04127
Split Wiehle 26in Roller.....	04137
26in Extended Wiehle Roller (2019+) .....	04146
26in Interlace Narrow Wiehle Roller Asm.....	04806
26in Full Front Roller Asm .....	04816
26in Wide Wiehle Roller Asm .....	04826
26in Interlaced Roller Scraper Asm .....	139-4394
26in Full Roller Scraper Asm .....	139-4398
26in Smooth Roller Scraper Brush Asm.....	139-5117
26in Interlaced Roller Scraper Brush Asm .....	139-5125
26in Wide Wiehle Roller Scraper Asm .....	139-7406
Wide Wiehle Roller Scraper Brush Asm.....	139-7410
Universal Groomer Drive .....	04707
26in Stiff Grooming Brush.....	04276
26in Twin Tip Groomer Reel .....	04803
26in Stiff Grooming Brush Kit.....	127-1549
Toro Reel Paper (10 Pack).....	125-5610
Shim-TORO Reel (.002in) .....	140-5531
Roller Extension Kit .....	115-7361
Extended HOC Arm.....	99-4286
Angle Indicator.....	131-6828
Angle Indicator Mount.....	131-6829
Bedbar-26in .....	138-1522-01
Bedknife-Highcut .....	104-2646
Bedknife-Fairway.....	107-8181
Bedknife-Micro-Cut.....	112-9275
Bedknife-EDGEMAX, Tournament Cut.....	117-1548
Bedknife-EDGEMAX, 26in Microcut Short.....	139-4322
Bedknife-EDGEMAX, 26in Tournament Short.....	139-4323
Bedknife-EDGEMAX, 26in Microcut .....	139-4324
Bedknife-1/8in.....	93-9015
Bedknife-Tournament Cut.....	94-5885
Blade-GR Groomer, Twin Tip (0.032in).....	140-5580
Blade-GR Groomer, Helix (0.028in).....	140-5581
Blade-GR Groomer, Helix (0.015" in).....	140-5582
Wheel Kit .....	04123
Light Kit (2019+) .....	04135
Push Broom Kit, Walk Greensmower (2019+) .....	04136
Backlap Kit.....	04800
Access Backlap Kit .....	139-4342
Wireless Hour Meter Kit.....	139-4369

# Attachments and Accessories (continued)

MVP Kit-Cutting Unit Re-Build ..... 121-2637  
Grease-Synthetic..... 136-8595  
Height-of-Cut Bar..... 94-9010  
Trans Pro 80 Tow-Behind Trailer..... 04238  
Trans Pro 100 Tow-Behind Trailer..... 04240  
Flat Ramp ..... 04245  
Rail Ramp Kit (Update)..... 04247

**Notes:**



**Count on it.**