



**Count on it.**

**Parts Catalog**

**Pro Force® Debris Blower  
Groundsmaster® 360 Traction Units**

Model No. 44547—Serial No. 404900001 and Up



# Ordering Replacement Parts

To order replacement parts, please supply the part number, the quantity, and the description of each part desired.

## Understanding Reference Numbers

Each identified part in an illustration has a reference number. The reference number for a part also appears in the parts list, along with other information about the part.

This catalog uses two special reference number formats, one to indicate parts in a service assembly and another to indicate the quantity of a given part in an illustration.

## Service Assembly Reference Numbers

Parts in service assemblies have reference numbers in the form a:b. The a represents the reference number of the entire service assembly and the b represents a sequential number unique to each part within the service assembly.

For example, a wheel assembly might be identified by reference number 6, the tire by 6:1, the valve by 6:2, and the wheel by 6:3. When you order the assembly identified by reference number 6, you receive all parts identified by reference numbers 6:1, 6:2, and 6:3. However, you may also order any part individually. Reference numbers of this type appear in illustration and in parts lists.

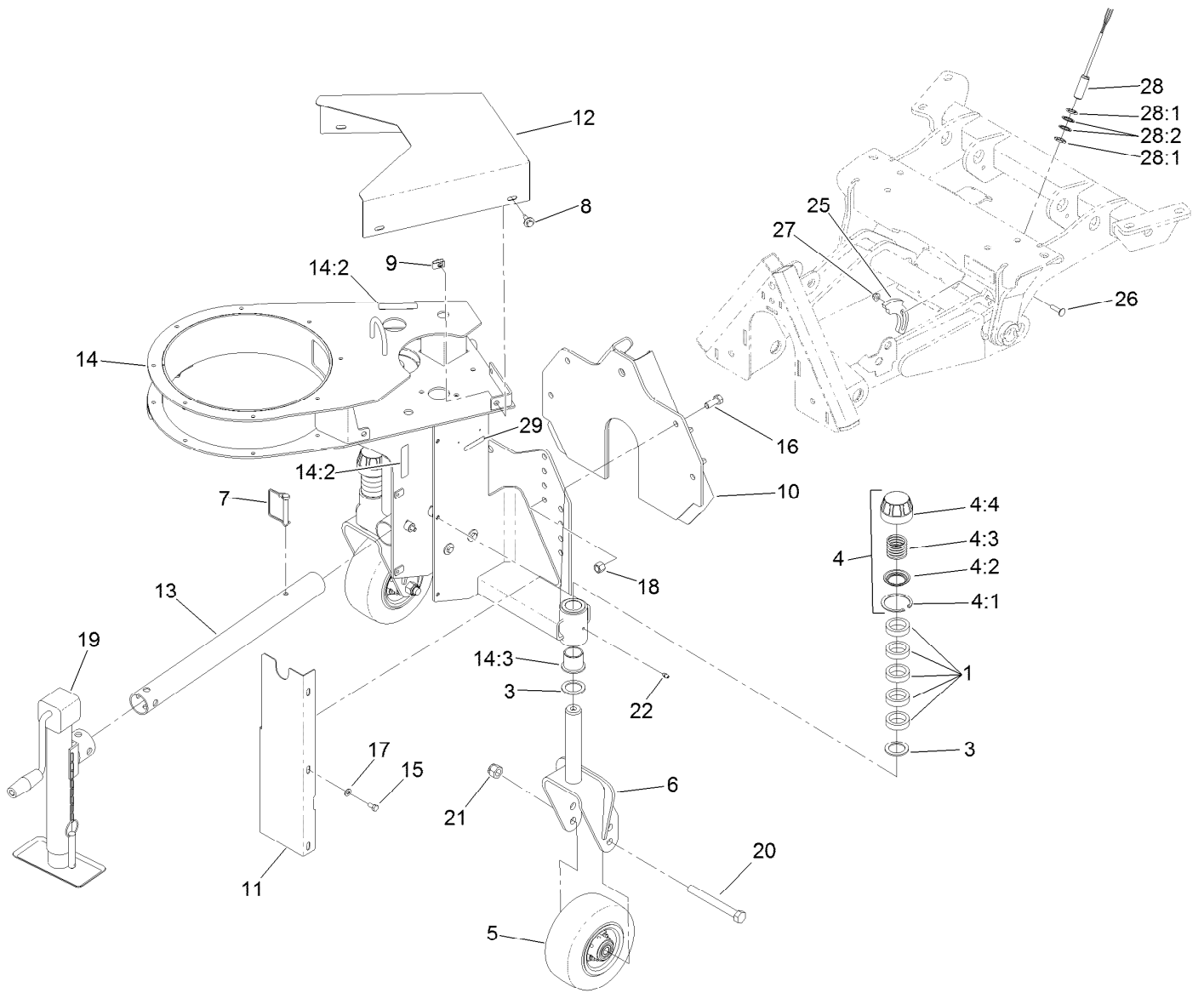
## Reference Numbers Indicating Quantity

In an illustration, if a reference number indicates more than one part, the reference number has the form nX y. The n represents the quantity of the part, the X is the multiplication symbol, and the y represents the reference number.

For example, in an illustration, the reference number 2X 37 means that two of the parts identified by reference number 37 are indicated.

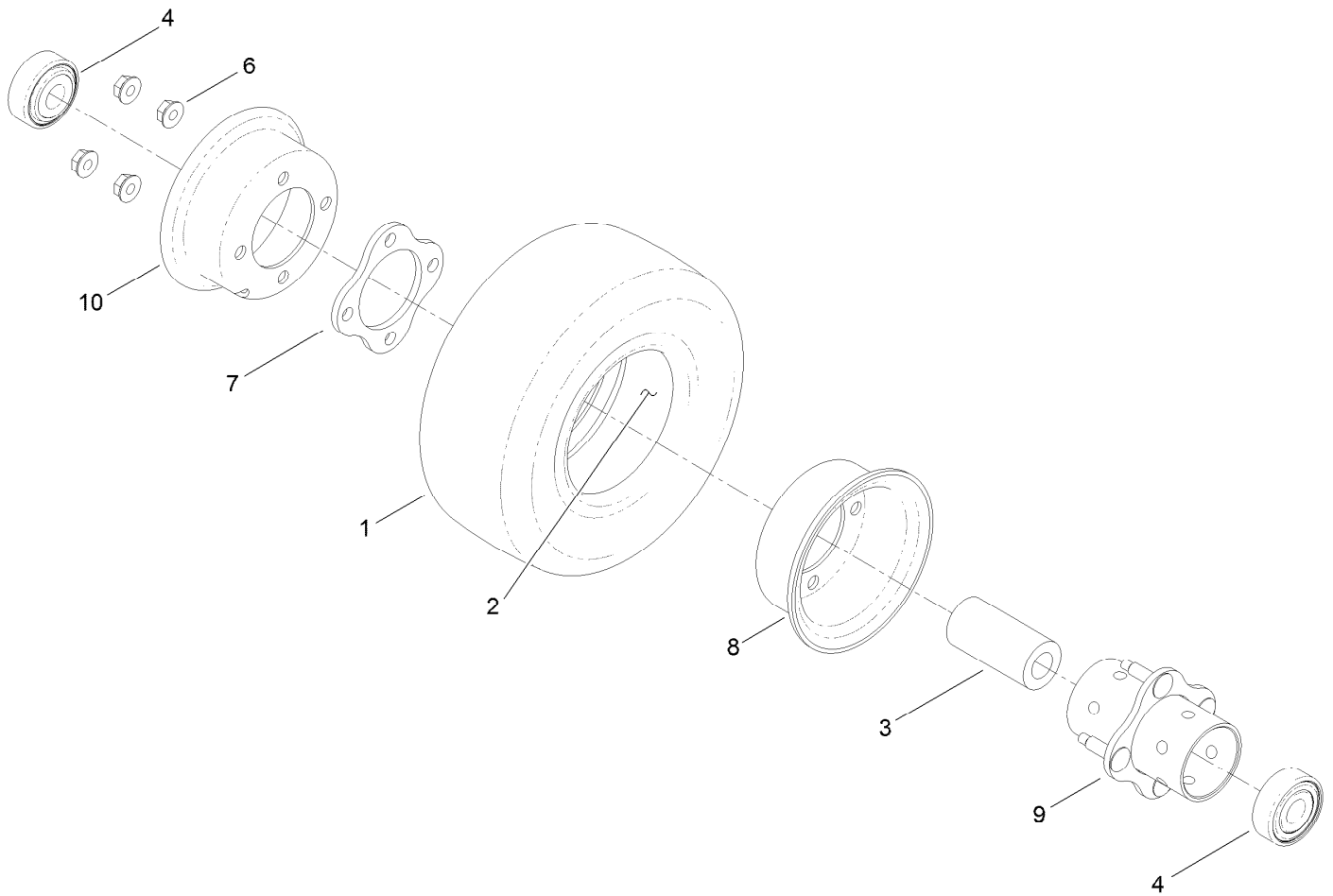
# Contents

Frame and Cover Assembly .....	4
Wheel Assembly No. 93-9938 .....	5
Nozzle Assembly .....	6
Hydraulic Motor Assembly No. 99-0156 .....	7
Turbine Drive Assembly .....	8
Drive Shaft Assembly No. 121-5322 .....	9
Turbine Assembly No. 127-6277 .....	10



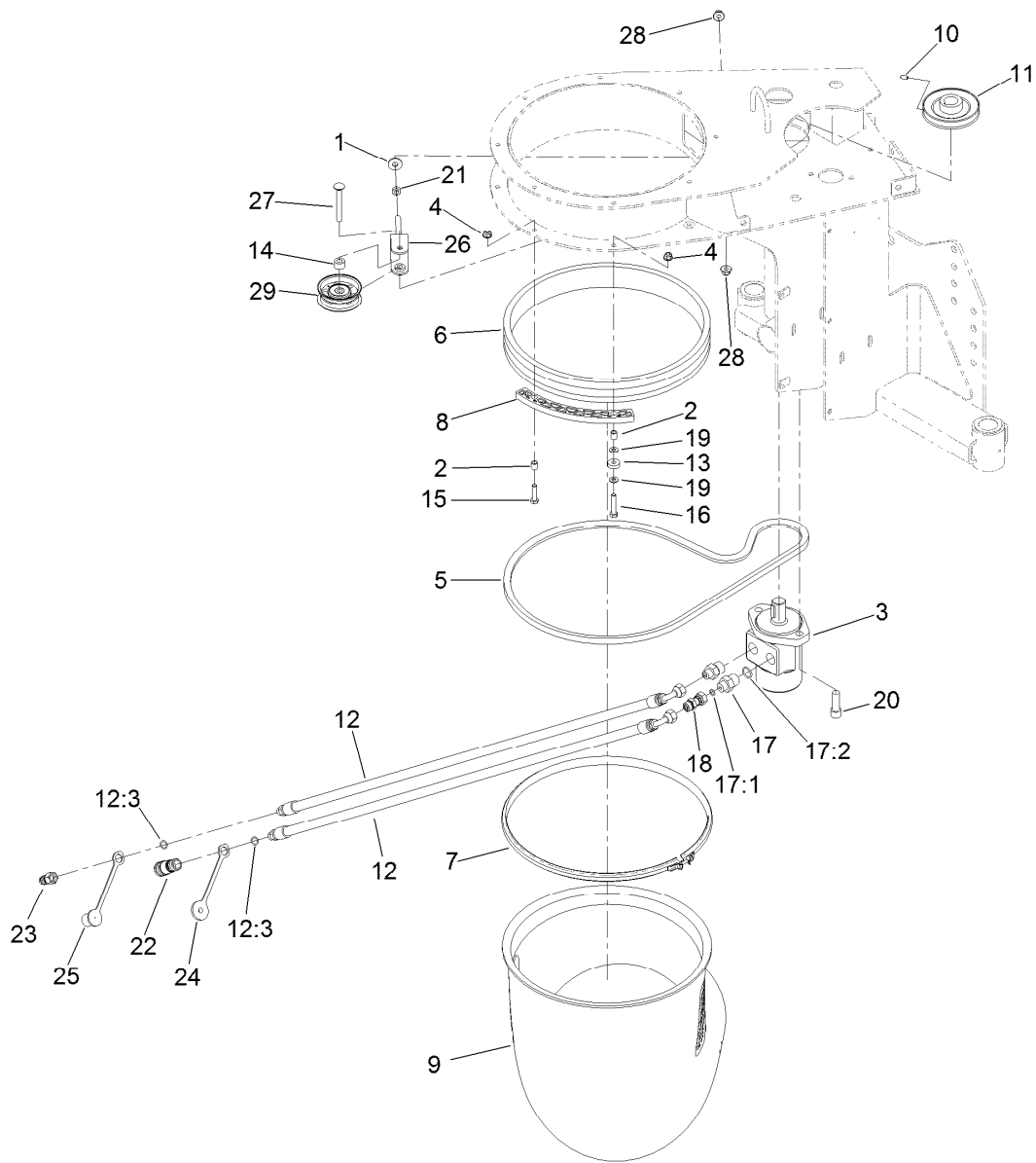
## Frame and Cover Assembly

Ref.	Part Number	Qty.	Description	Ref.	Part Number	Qty.	Description
1	69-1510	10	Spacer	14:2	119-0217	2	Decal-Danger
3	69-6860	4	Washer-Thrust	14:3	69-6470	4	Bushing-Caster
4	92-8862	2	HOC Cap ASM	15	322-2	5	Screw-HH
4:1	92-5581	1	Ring-Retaining	16	325-5	4	Screw-HH
4:2	92-5583	1	Washer-Cap	17	3256-23	5	Washer-Plain
4:3	92-5584	1	Spring-Compression	18	3296-23	4	Nut-Lock, NI
4:4	92-8861	1	Cap-HOC	19	T0000-3423	1	Jack-Sidewind
5	93-9938	2	Wheel ASM	20	327-24	2	Screw-HH
6	104-0762-01	2	Fork-Caster	21	3296-53	2	Nut-Lock, NI
7	107-7400	1	Pin-Lynch	22	302-5	2	Fitting-Grease
8	114-8418	5	Screw-HWH, Sems	25	125-4288	1	Plate-Sensor
9	115-7721	5	Nut-Clip, U	26	3230-3	2	Screw-CARR
10	121-9922-03	1	Plate-Mounting	27	104-8300	2	Nut-HF, NI
11	121-9926-03	1	Cover-Case, Gear	28	115-5300	1	Proximity Switch ASM
12	121-9987-03	1	Cover-Belt	28:1	117-3207	2	Nut-Hex
13	125-4221-03	1	Tube-Stand	28:2	117-3208	2	Washer-Lock, Internal Tooth
14	125-4228	1	Blower Frame ASM	29	133-8061	1	Decal-Warning



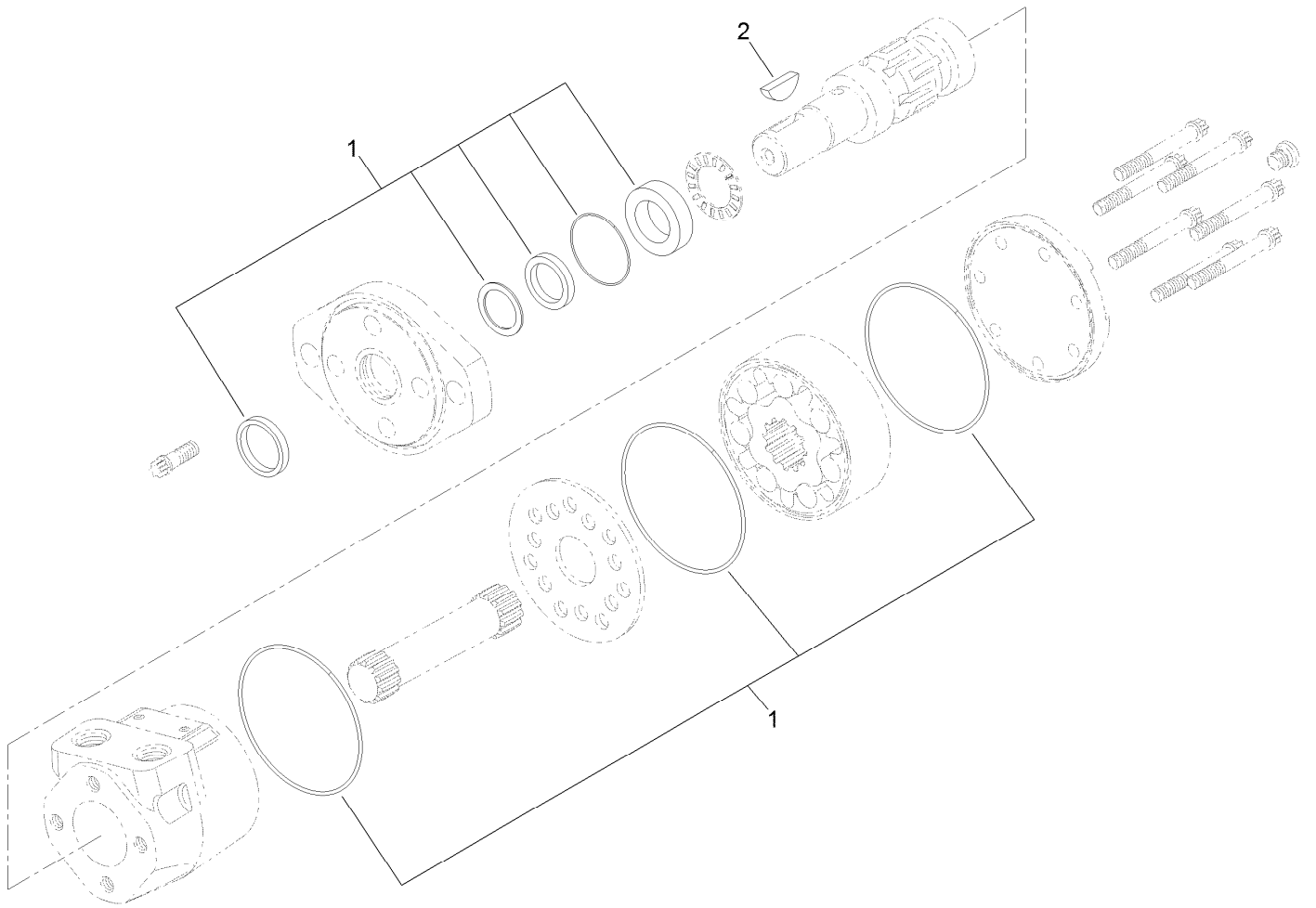
## Wheel Assembly No. 93-9938

<i>Ref.</i>	<i>Part Number</i>	<i>Qty.</i>	<i>Description</i>
1	93-9939	1	Tire
2	68-8950	1	Tube-Inner (W/Valve)
3	93-4241	1	Spacer-Bearing, Inner
4	120-3366	2	Bearing
6	32128-16	4	Nut-HHF
7	93-4242	1	Plate
8	93-4239	1	Rim-Wheel, Half
9	93-5980	1	Hub
10	95-2741	1	Rim-Wheel, Half



## Nozzle Assembly

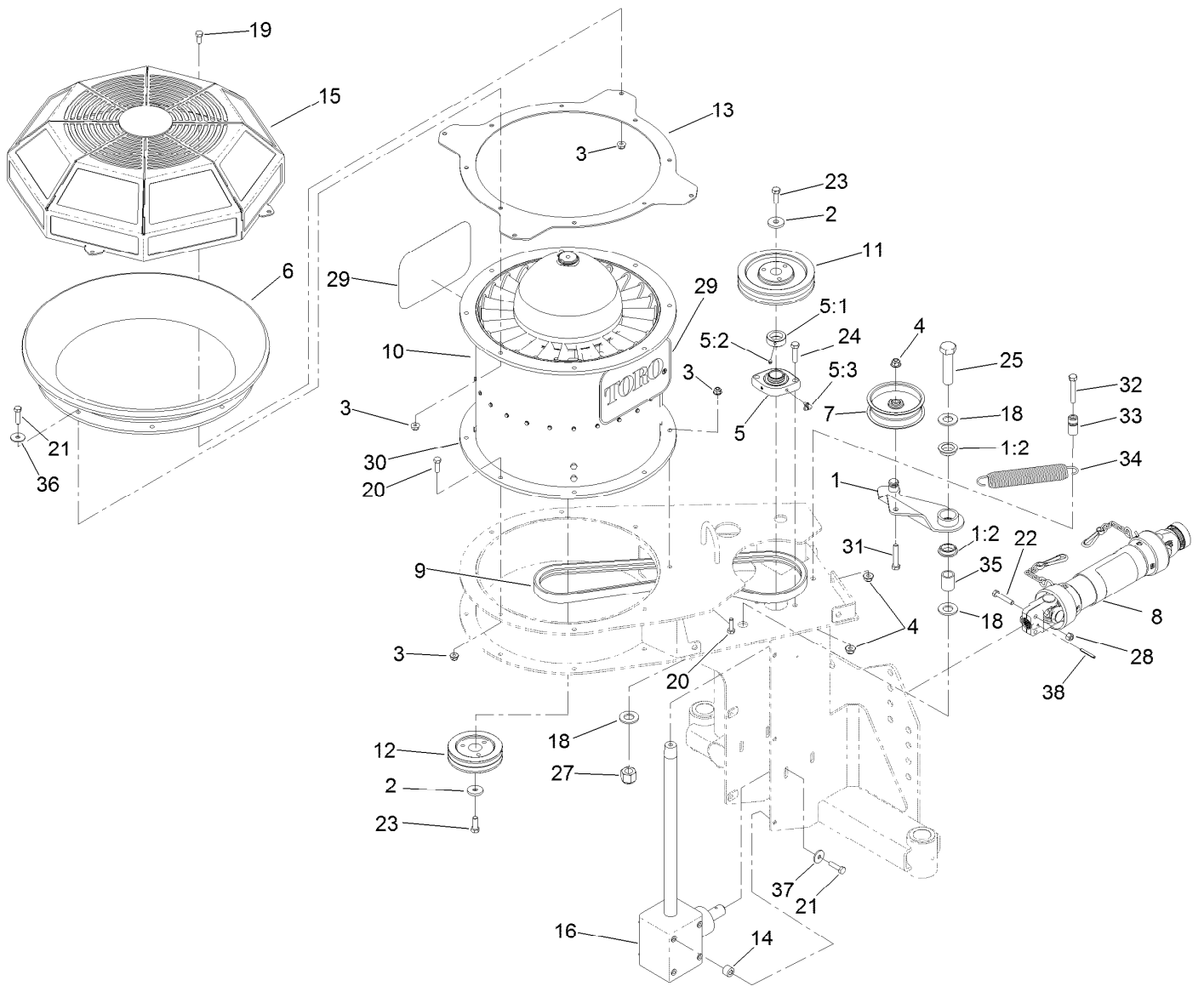
Ref.	Part Number	Qty.	Description	Ref.	Part Number	Qty.	Description
1	80-6990	1	Washer-Hardened	16	322-8	3	Screw-HH
2	93-6859	8	Spacer	17	340-141	2	Fitting-STR
3	99-0156	1	HYD Motor ASM	17:1	237-22	1	O-Ring
4	104-8300	8	Nut-HF, NI	17:2	237-80	1	O-Ring
5	57-4740	1	V-Belt	18	125-4278	1	Fitting
6	112-1874	1	Pulley-Nozzle	19	3256-74	6	Washer-Flat
7	112-6899	1	Clamp-Nozzle	20	3274-4	2	Screw-HSH
8	114-9868	4	Guide-Nozzle	21	3217-7	1	Nut-Hex
9	125-4279	1	Nozzle	22	63-1220	1	Coupler-Disconnect, Quick
10	3245-9	2	Screw-Set, HSH	23	63-1240	1	Nipple-Disconnect, Quick
11	125-4281	1	Pulley-Drive	24	353-984	1	Plug-Dust
12	125-4239	2	HYD-Hose	25	353-985	1	Cap-Dust
12:3	237-42	1	O-Ring	26	125-4259-03	1	Bracket-Idler
13	251-259	3	Bearing-Ball	27	109-6868	1	Bolt-Carriage
14	125-4264	1	Spacer-Pulley	28	104-8301	2	Nut-HF, NI
15	322-6	5	Screw-HH	29	130-8362	1	Pulley-Idler, Flat



## Hydraulic Motor Assembly No. 99-0156

<i>Ref.</i>	<i>Part Number</i>	<i>Qty.</i>	<i>Description</i>
1	100-1446	1	Seal Kit ●
2	3257-8	1	Key-Woodruff

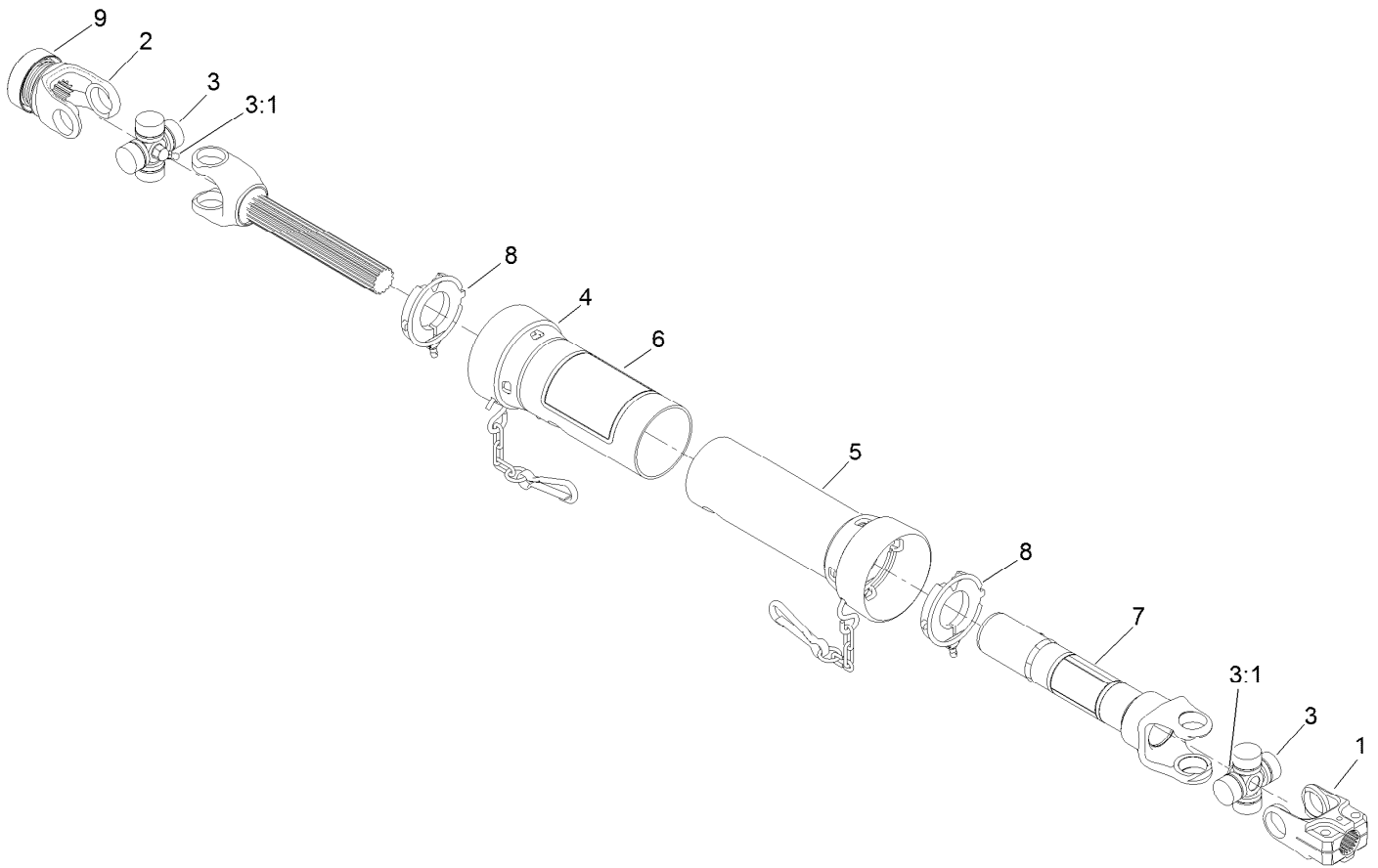
● Not illustrated



## Turbine Drive Assembly

Ref.	Part Number	Qty.	Description	Ref.	Part Number	Qty.	Description
1	130-0860	1	Idler Arm ASM	18	92-5836	3	Washer
1:2	98-2197	2	Bushing-Flange	19	322-3	4	Screw-HH
2	99-2098	2	Washer	20	322-5	8	Screw-HH
3	104-8300	20	Nut-HF, NI	21	322-6	12	Screw-HH
4	104-8301	4	Nut-HF, NI	22	322-9	2	Screw-HH
5	92-8799	1	Bearing-Flange	23	323-6	2	Screw-HH
5:1	251-77	1	Collar-Lock, Bearing	24	323-8	2	Screw-HH
5:2	3245-35	1	Screw-Set, HSH	25	328-4	1	Screw-HH
5:3	302-40	1	Fitting-Grease, 90 DEG	27	3296-51	1	Nut-Lock, NI
6	117-8329	1	Bell-Inlet	28	3296-29	2	Nut-Lock, NI
7	119-7887	1	Pulley-Idler	29	62-7400	2	Decal
8	121-5322	1	Drive Shaft	30	115-5102	1	Decal
9	121-9924	1	Belt-Drive	31	323-10	1	Screw-HH
10	127-6277	1	Turbine ASM	32	323-11	1	Screw-HH
11	121-9957	1	Pulley-Drive	33	125-4275	1	Post-Spring
12	121-9958	1	Pulley-Driven	34	103-6532	1	Spring-Extension
13	127-6302-03	1	Bracket-Fan	35	125-4276	1	Spacer-Idler
14	121-9992	4	Spacer-Gearbox	36	5-4460	8	Washer-Pivot
15	127-6329-03	1	Guard-Fan	37	115-7109	4	Washer-Flat
16	125-4226	1	Gearbox	38	32121-34	1	Pin-Roll

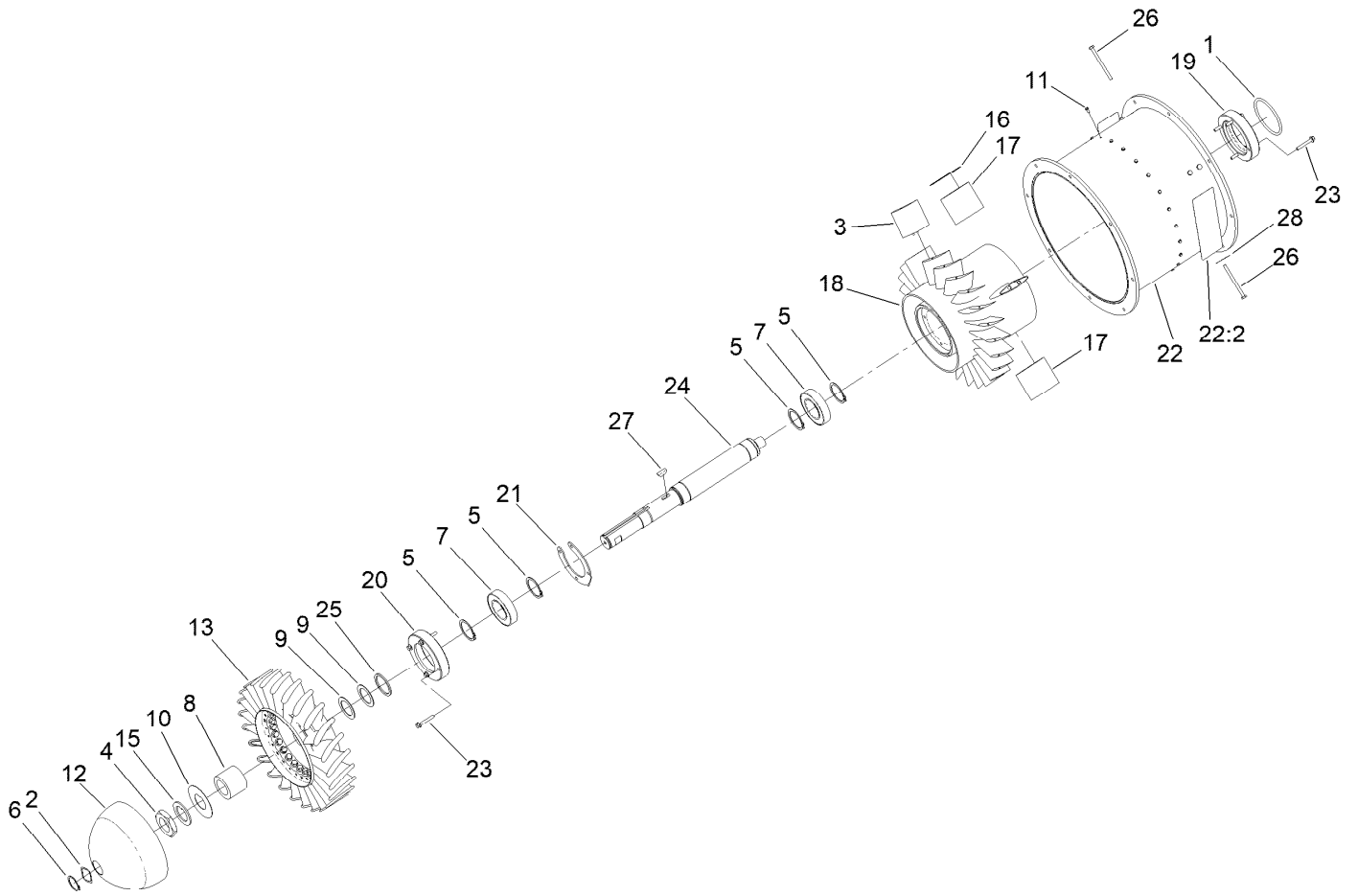




## Drive Shaft Assembly No. 121-5322

<i>Ref.</i>	<i>Part Number</i>	<i>Qty.</i>	<i>Description</i>
1	54-9040	1	Yoke-End
2	103-9329	1	Yoke-Quick Disconnect
3	112-1687	2	Cross And Bearing Kit
3:1	62-3820	1	Fitting-Grease
4	125-4294	1	Outer Guard ASM (W/Decal)
5	125-4295	1	Inner Guard ASM
6	92-1581	1	Decal-Safety
7	92-1582	1	Decal-Safety
8	125-4296	2	Guard Repair Kit
9	125-4297	1	Spring-Lock Repair Kit

# Turbine Assembly No. 127-6277



## Turbine Assembly No. 127-6277 (continued)

<i>Ref.</i>	<i>Part Number</i>	<i>Qty.</i>	<i>Description</i>	<i>Ref.</i>	<i>Part Number</i>	<i>Qty.</i>	<i>Description</i>
1	92-9533	1	O-Ring	16	119-6207	2	Spacer-Fin
2	93-4632	1	Washer-Wavey	17	119-6444	4	Mount-Fin
3	112-1871	24	Vane-Stator	18	120-5920	1	Inner Housing
4	112-1899	1	Nut	19	120-6042	1	End-Oring
5	112-1951	4	Ring-Snap, EXT	20	120-6061	1	Bearing-Cap
6	112-1952	1	Ring-Snap, EXT	21	120-6063	1	End-Cap
7	127-6348	2	Bearing-Ball	22	125-4284	1	Vertical Housing ASM
8	114-2164	1	Spacer	22:2	137-3999	2	Decal-Danger
9	115-5131	2	Washer	23	125-4287	8	Screw-HHF
10	115-9005	1	Washer-Tab	24	127-6278	1	Shaft-Fan
11	117-8303	24	Screw-HHF	25	127-6298	1	Spacer-Bearing
12	131-9440	1	Cap-Front	26	321-19	8	Screw-HH
13	117-8356	1	Rotor	27	3257-42	1	Key-Woodruff
15	119-6202	1	Washer-Tab	28	140-6815	4	Tab-Locking



**Count on it.**