



## Traction Control Spring

Dingo<sup>®</sup> TX 420 Compact Utility Loader

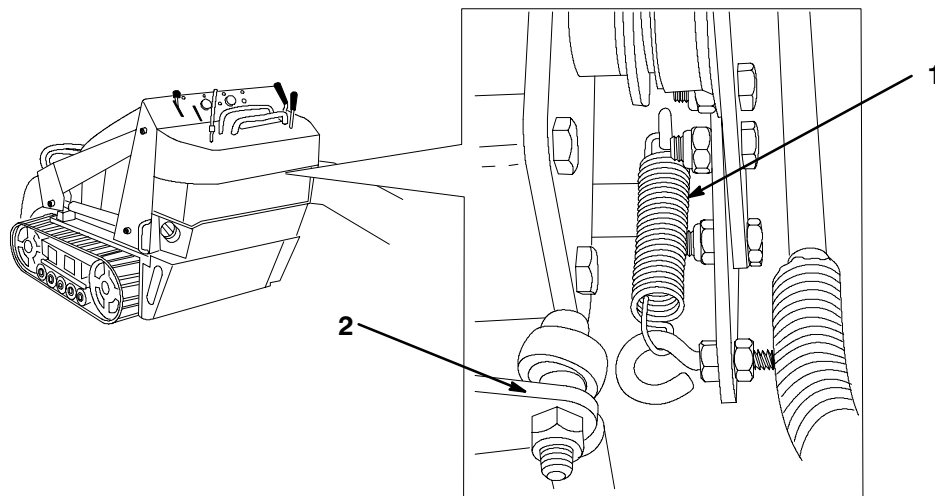
Part No. 105-1210

### Installation Instructions

1. Stop the engine, set the parking brake, and remove the key.
2. Open the rear access cover; refer to your traction unit *Operator's Manual*.
3. Remove and discard the existing traction control spring (Fig. 1).

**Note:** The spring is located under the control panel to the right of the traction control mechanism (Fig. 1).

**Note:** The existing spring is silvery-steel colored. The new spring is golden in color.



m-5291

**Figure 1**

1. Traction control spring
2. Right side of the traction control mechanism

4. Install the new spring in the same location as the spring you removed (Fig. 1).
5. Close the rear access cover.