



Count on it.

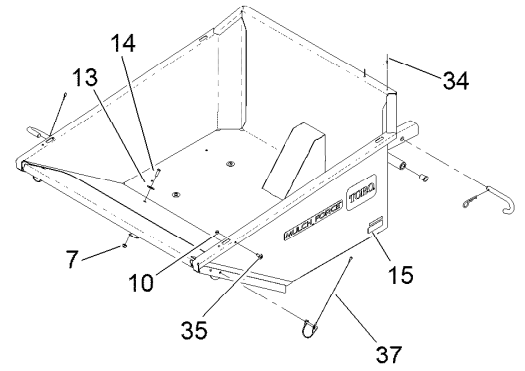
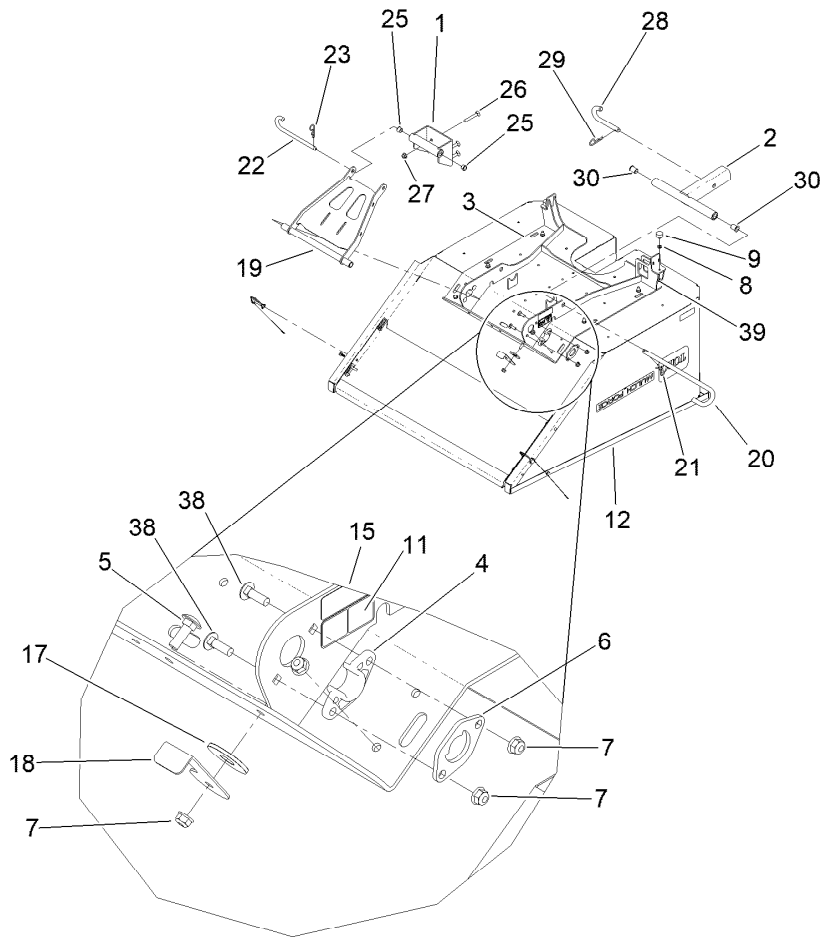
Parts Catalog

Mulch Force

GrandStand® Multi Force®

Model No. 78597—Serial No. 40000000 and Up

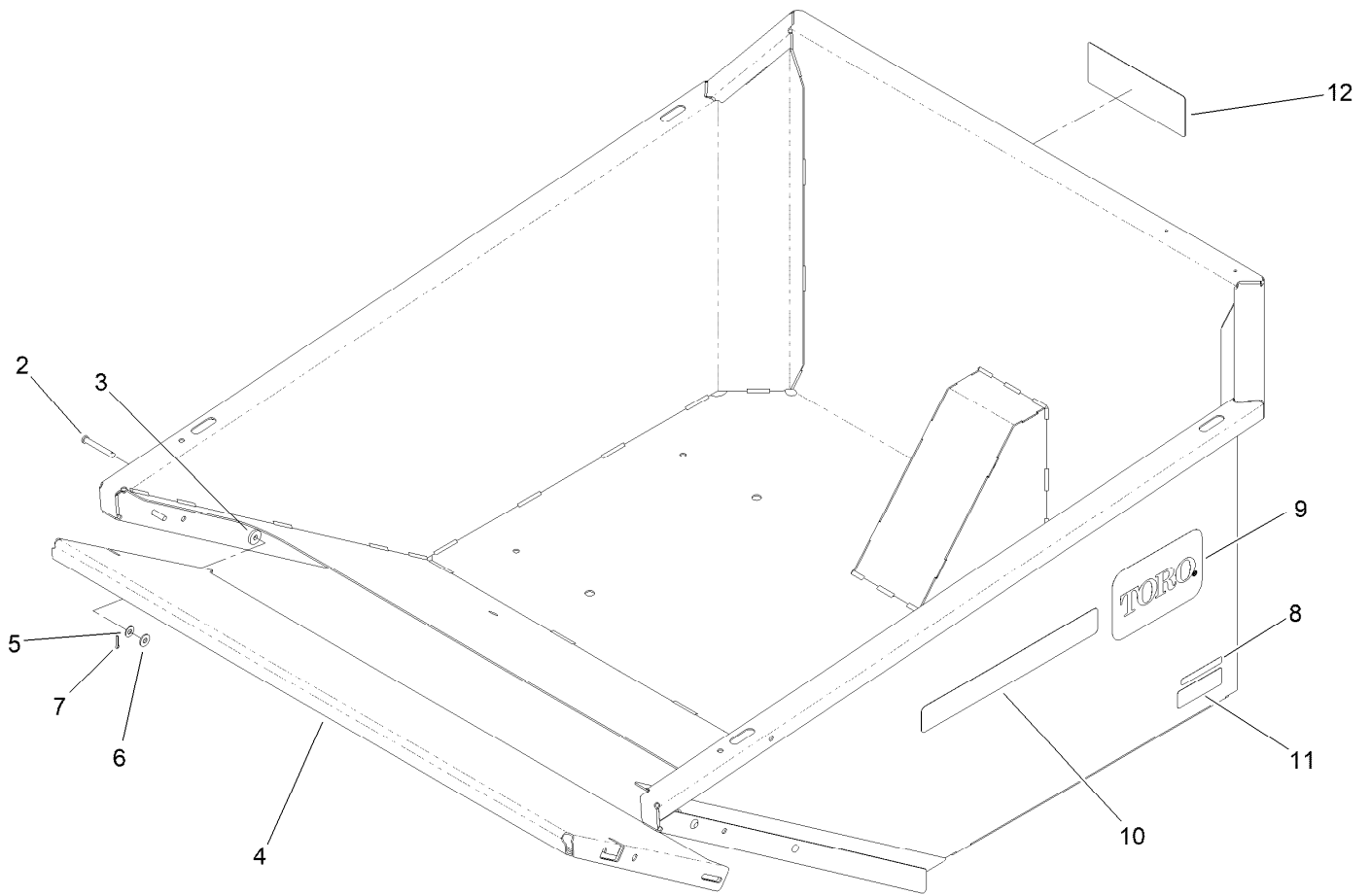




Mulch Dump Assembly

Ref.	Part Number	Qty.	Description	Ref.	Part Number	Qty.	Description
1	140-1934-03	1	Gs Dump Pin Mnt Wldmnt	19	140-4330-03	1	Gs Mulch Dump Strut Wldmnt
2	140-1936-03	1	Gs Dump Receiver Wldmnt	20	116-6302	1	Pin, Pivot
3	140-1923-03	1	Lift Plate Wldmnt	21	1-806005	1	Pin-Cotter
4	139-5872	2	Bearing-Flange	22	133-2021	1	Pin-Hitch
5	3230-2	1	Bolt-CARR	23	92-2762	1	Pin-Hair
6	140-7789	2	Gusset-Cover	25	116-4279	2	Bearing-Flange
7	104-8300	11	Nut-HF, NI	26	3231-9	4	Screw-CARR
8	3256-23	2	Washer-Plain	27	104-8301	4	Nut-HF, NI
9	240-14	2	Bumper-Rubber	28	133-2085	1	Pin-Attach
10	104-7201	2	Nut-HF	29	3290-343	1	Pin-Hair
11	93-6674	2	Decal-Warning	30	115-7211	2	Bushing-Flanged
12		1	Mulch Bucket ●	34	3269-32	2	Rivet-Pop
13	3256-35	6	Washer-Flat	35	120-7950	2	Screw-Torx
14	3274-104	6	Screw-HSBH	37	144-6948	2	Pin-Snap (1/4), Lanyard
15	120-0625	2	Decal-Warning	38	3230-3	4	Screw-CARR
17	114-0463	1	Washer-Friction, Composite	39	3296-56	2	Nut-Lock, NI
18	140-5426	1	Bracket-Lock, Kickstand				

● Not serviced separately



Mulch Bucket Assembly

<i>Ref.</i>	<i>Part Number</i>	<i>Qty.</i>	<i>Description</i>
2	283-57	2	Pin-Clevis
3	135-6341	2	Washer
4	144-3896-03	1	Mulch Door [black]
5	136-7288	2	Washer-Nylon
6	119-8952	2	Washer
7	3272-5	2	Pin-Cotter
8	133-8061	1	Decal-Warning
9	105-1217	2	Decal
10	144-6891	2	Decal - Mulch Force
11	120-0625	2	Decal-Warning
12	144-1450	1	Decal-Load Capacity



Count on it.