



Count on it.

Parts Catalog

Blower Kit

GrandStand® Multi Force® Mower

Model No. 78593—Serial No. 402860000 and Up



Ordering Replacement Parts

To order replacement parts, please supply the part number, the quantity, and the description of each part desired.

Understanding Reference Numbers

Each identified part in an illustration has a reference number. The reference number for a part also appears in the parts list, along with other information about the part.

This catalog uses two special reference number formats, one to indicate parts in a service assembly and another to indicate the quantity of a given part in an illustration.

Service Assembly Reference Numbers

Parts in service assemblies have reference numbers in the form a:b. The a represents the reference number of the entire service assembly and the b represents a sequential number unique to each part within the service assembly.

For example, a wheel assembly might be identified by reference number 6, the tire by 6:1, the valve by 6:2, and the wheel by 6:3. When you order the assembly identified by reference number 6, you receive all parts identified by reference numbers 6:1, 6:2, and 6:3. However, you may also order any part individually. Reference numbers of this type appear in illustration and in parts lists.

Reference Numbers Indicating Quantity

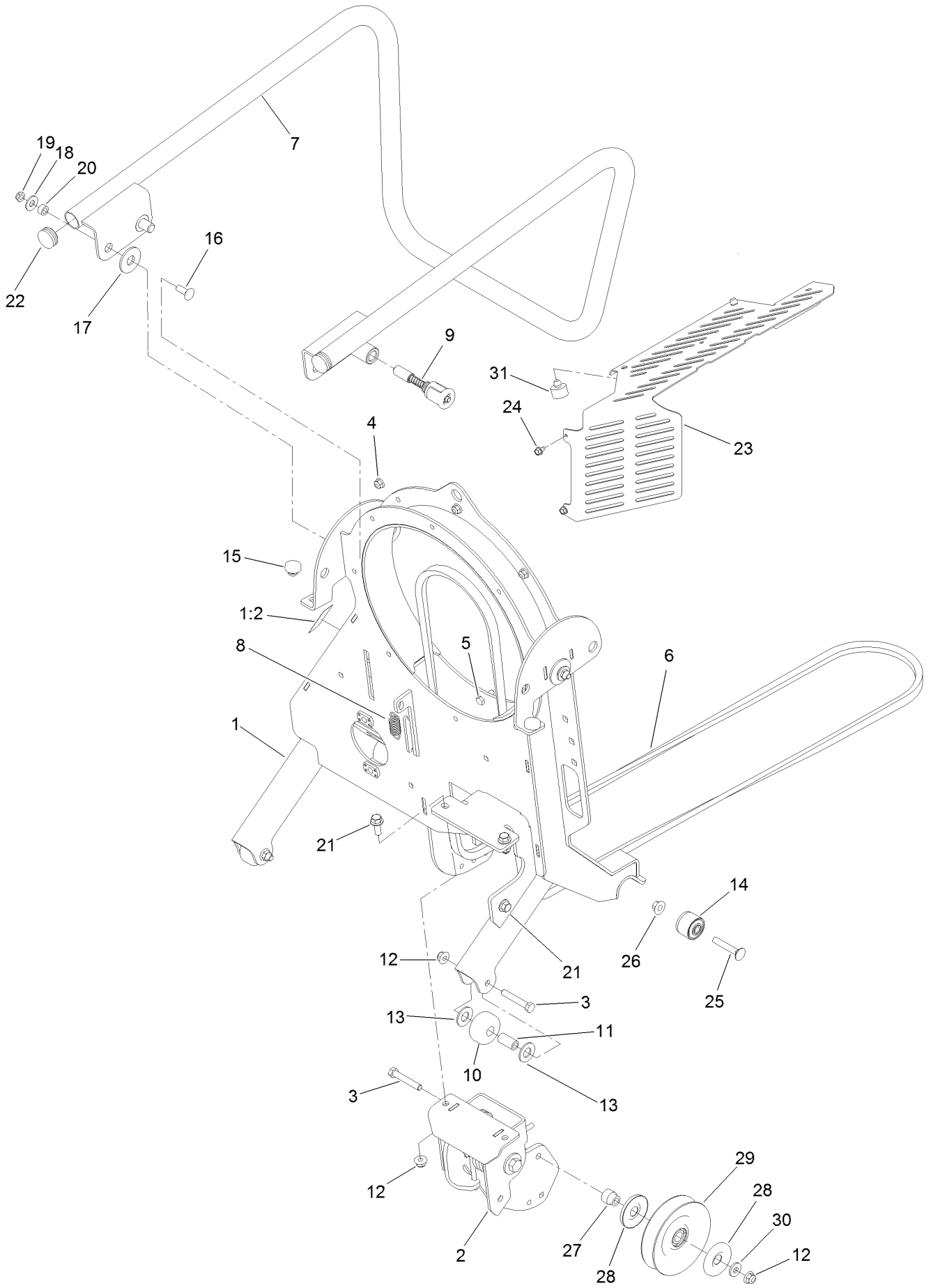
In an illustration, if a reference number indicates more than one part, the reference number has the form nX y. The n represents the quantity of the part, the X is the multiplication symbol, and the y represents the reference number.

For example, in an illustration, the reference number 2X 37 means that two of the parts identified by reference number 37 are indicated.

Contents

Blower Frame Assembly	4
Idler Torsion Assembly No. 137-6449	6
Blower Hitch, Motor and Pulley Assembly	8
Hydraulic Motor Assembly No. 99-0156	10
Turbine and Fan Guard Assembly	11
Turbine Assembly No. 127-6277	12
Nozzle Assembly	14

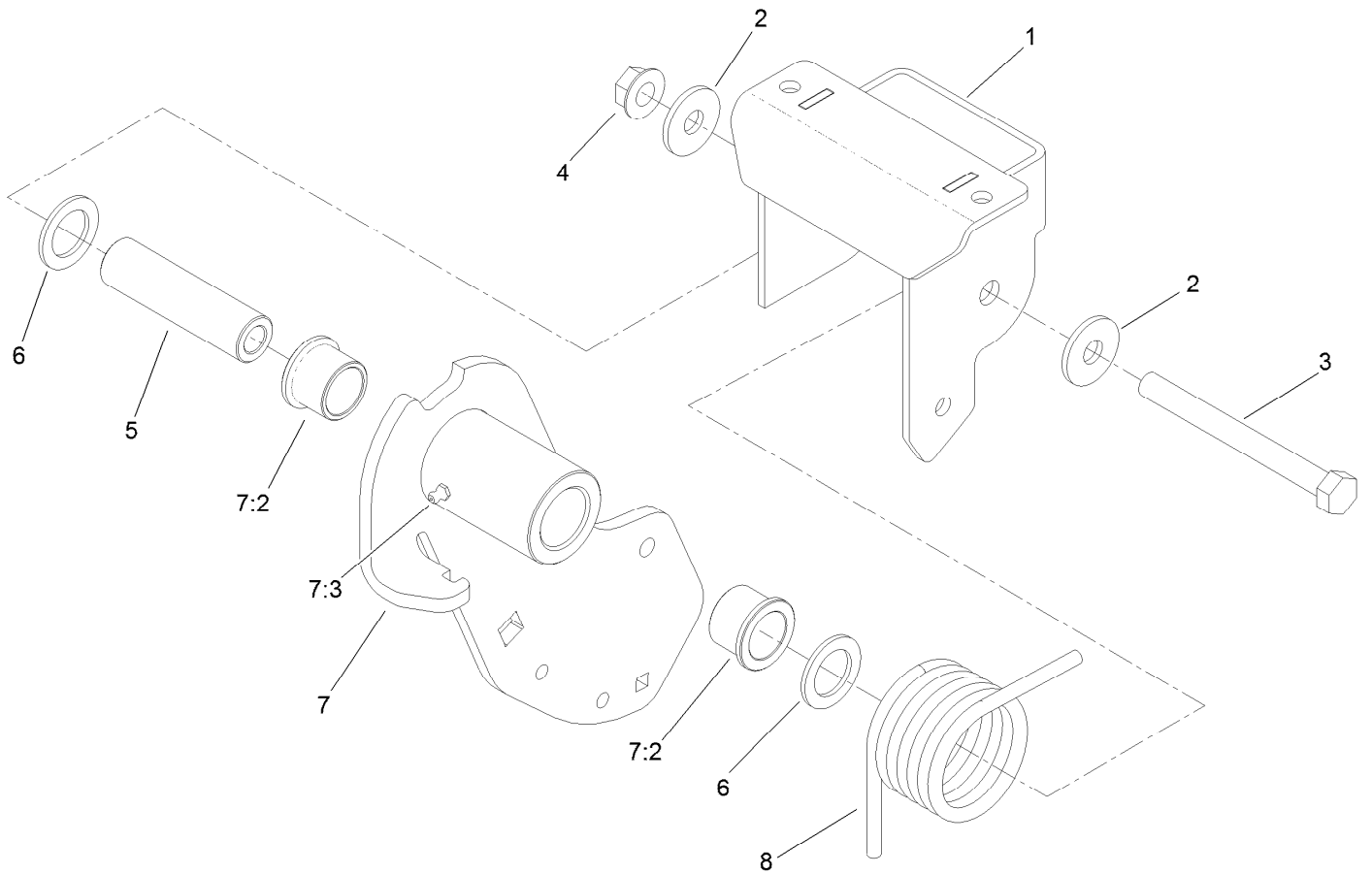
Blower Frame Assembly



Blower Frame Assembly (continued)

<i>Ref.</i>	<i>Part Number</i>	<i>Qty.</i>	<i>Description</i>	<i>Ref.</i>	<i>Part Number</i>	<i>Qty.</i>	<i>Description</i>
1	138-1110	1	Blower Frame ASM	16	3231-22	2	Screw-CARR
1:2	119-0217	2	Decal-Danger	17	112-3788	2	Spacer
2	137-6449	1	Idler Torsion ASM	18	3256-4	2	Washer-Flat
3	323-11	3	Screw-HH	19	3296-59	2	Nut-Lock, NI
4	104-8300	5	Nut-HF, NI	20	111044	2	Spacer
5	322-5	1	Screw-HH	21	131-2220	3	Screw-HHF
6	137-6376	1	Belt-V	22	138-0996	2	Cap-Tube
7	137-6375-03	1	Kickstand-Blower	23	138-8846-03	1	Guard-Leaf
8	613386	1	Spring-Brake	24	32104-116	2	Screw-HWHTF
9	116-0104	2	Pin-Spring	25	3231-7	2	Screw-CARR
10	108-4293	2	Roller	26	32128-19	2	Nut-HF Lock, Large Flg
11	108-6544	2	Spacer	27	1-603496	1	Bushing-Idler
12	104-8301	6	Nut-HF, NI	28	126-9195	2	Shield-Guard, Dust
13	3256-27	4	Washer-Flat	29	1-603805	1	Pulley-Idler
14	138-1082	2	Pivot-Mount ASM	30	9202414	1	Washer-Spacer
15	104-1412	2	Bumper-Rubber	31	120-7893	2	Bumper-Grommet

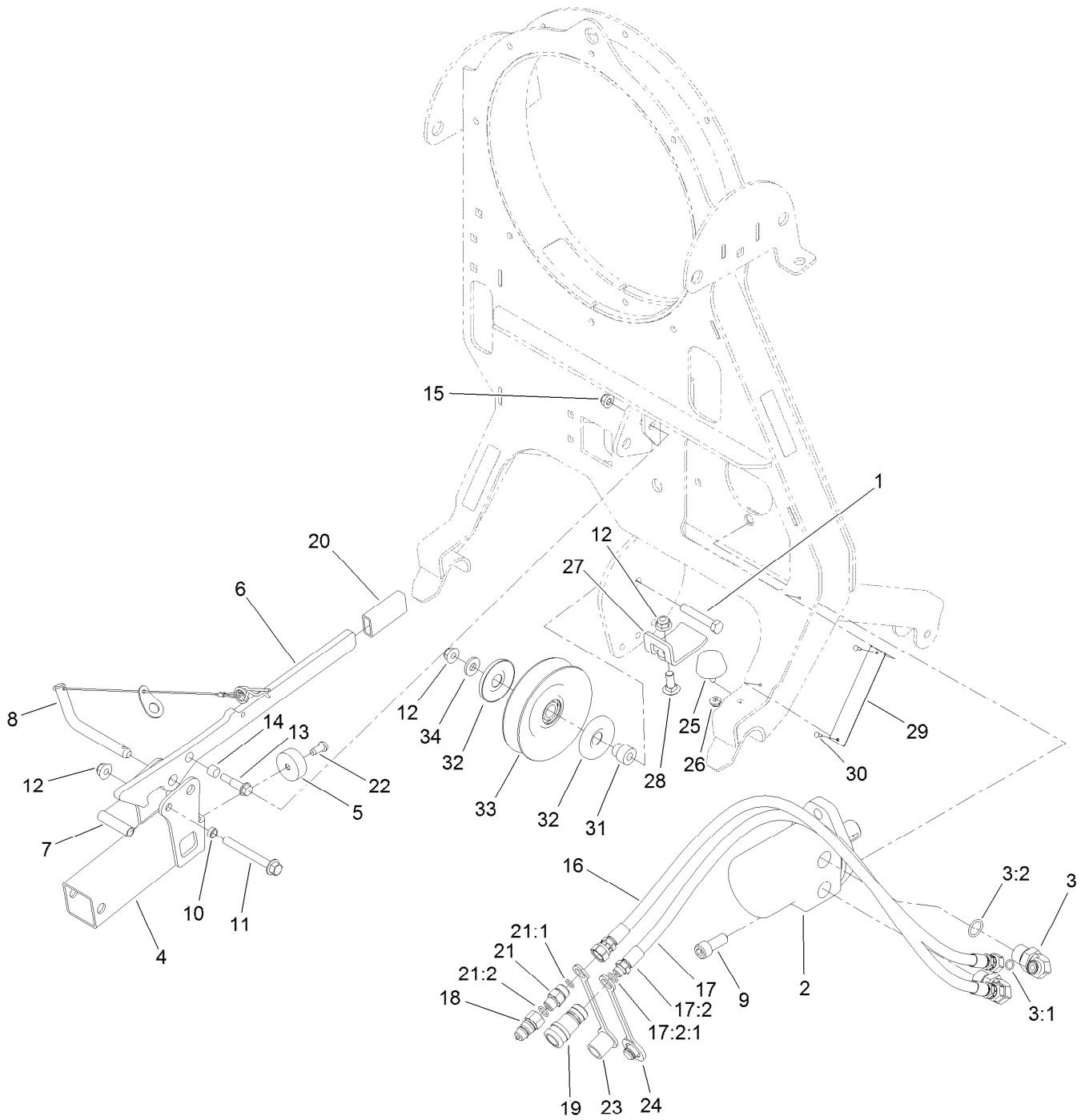
Idler Torsion Assembly No. 137-6449



Idler Torsion Assembly No. 137-6449 (continued)

<i>Ref.</i>	<i>Part Number</i>	<i>Qty.</i>	<i>Description</i>	<i>Ref.</i>	<i>Part Number</i>	<i>Qty.</i>	<i>Description</i>
1	137-6359	1	Bracket-Tensioner, Idler	6	136-5734	2	Spacer-Hardened
2	63-3340	2	Washer-Support	7	137-6400	1	Idler Tensioner Arm ASM
3	325-19	1	Screw-HH	7:2	94-8949	2	Bushing-Flange
4	32128-23	1	Nut-HF	7:3	302-19	1	Fitting-Grease
5	136-7394	1	Spacer-Plain	8	108-1921	1	Spring-Torsion

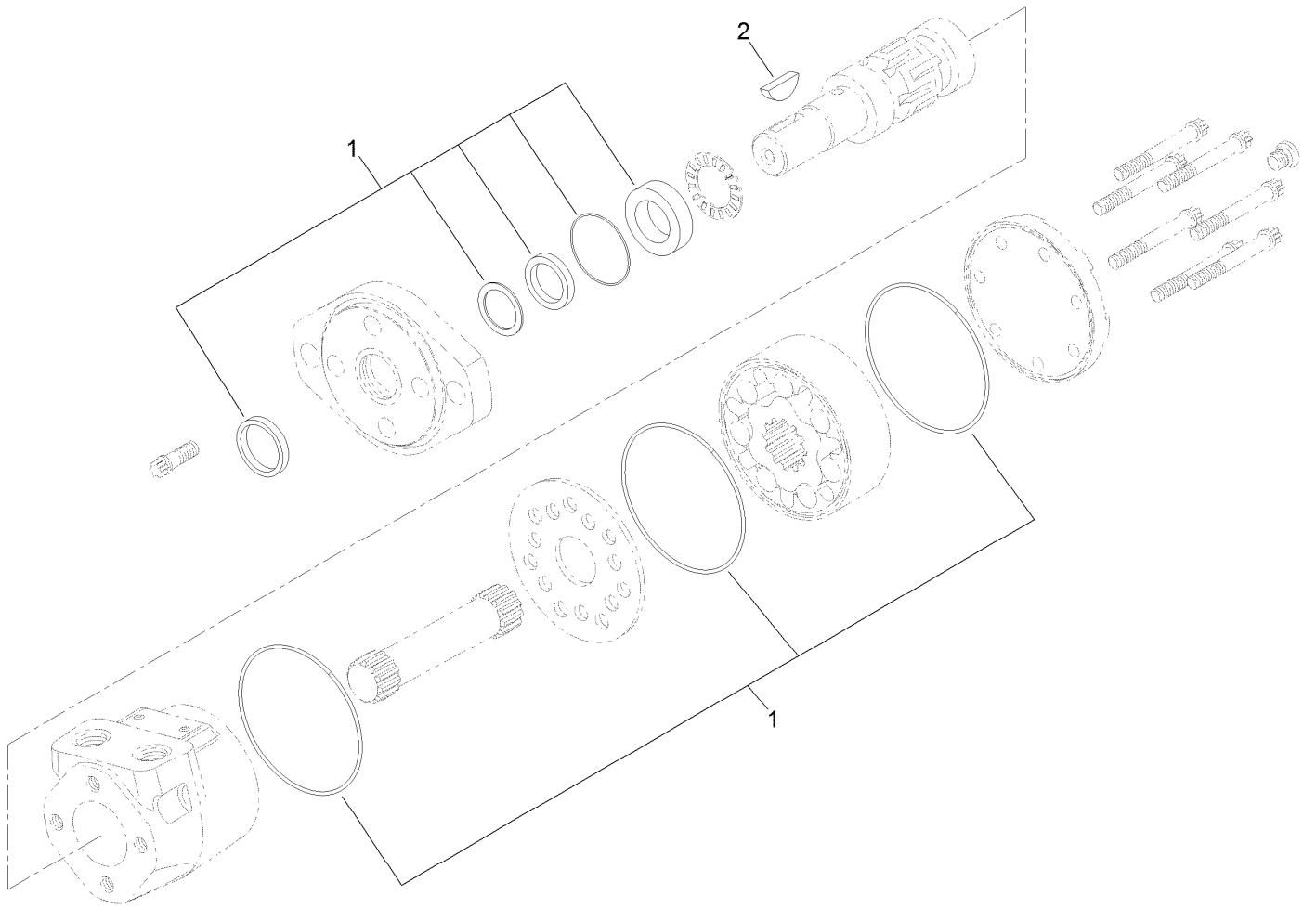
Blower Hitch, Motor and Pulley Assembly



Blower Hitch, Motor and Pulley Assembly (continued)

<i>Ref.</i>	<i>Part Number</i>	<i>Qty.</i>	<i>Description</i>	<i>Ref.</i>	<i>Part Number</i>	<i>Qty.</i>	<i>Description</i>
1	323-11	1	Screw-HH	17:2:1	237-42	1	O-Ring
2	99-0156	1	HYD Motor ASM	18	63-1240	1	Nipple-Disconnect, Quick
3	340-130	2	Fitting-Elbow 90	19	63-1220	1	Coupler-Disconnect, Quick
3:1	237-22	1	O-Ring	20	116-4312	1	Grip-Flat
3:2	237-80	1	O-Ring	21	114-7783	1	Fitting-Straight
4	137-6385-03	1	Blower Hitch ASM	21:1	237-22	1	O-Ring
5	133-0308	1	Bumper-Rubber	21:2	237-42	1	O-Ring
6	137-6386-03	1	Handle-Latch	22	613381	1	Screw-BHTF
7	93-2464	1	Spacer-Roller	23	353-985	1	Cap-Dust
8	119-8970	1	Pin-ROPS W/ Lanyard	24	353-984	1	Plug-Dust
9	3274-89	2	Screw-HSH	25	131-8834	1	Bumper
10	76-9100	1	Spacer	26	104-7201	1	Nut-HF
11	3234-41	1	Screw-HHF	27	137-6357-01	1	Bracket-Stop
12	104-8301	3	Nut-HF, NI	28	3231-2	1	Bolt-CARR
13	116-8607	1	Screw-Shoulder	29	137-9517	1	Plate-Serial
14	131-3951	1	Bushing	30	3290-271	2	Rivet-Pop
15	104-8300	1	Nut-HF, NI	31	1-603496	1	Bushing-Idler
16	137-6396	1	Hose ASM	32	126-9195	2	Shield-Guard, Dust
17	137-6398	1	Hose ASM	33	1-603805	1	Pulley-Idler
17:2		1	Fitting-Straight, Rigid ●	34	9202414	1	Washer-Spacer

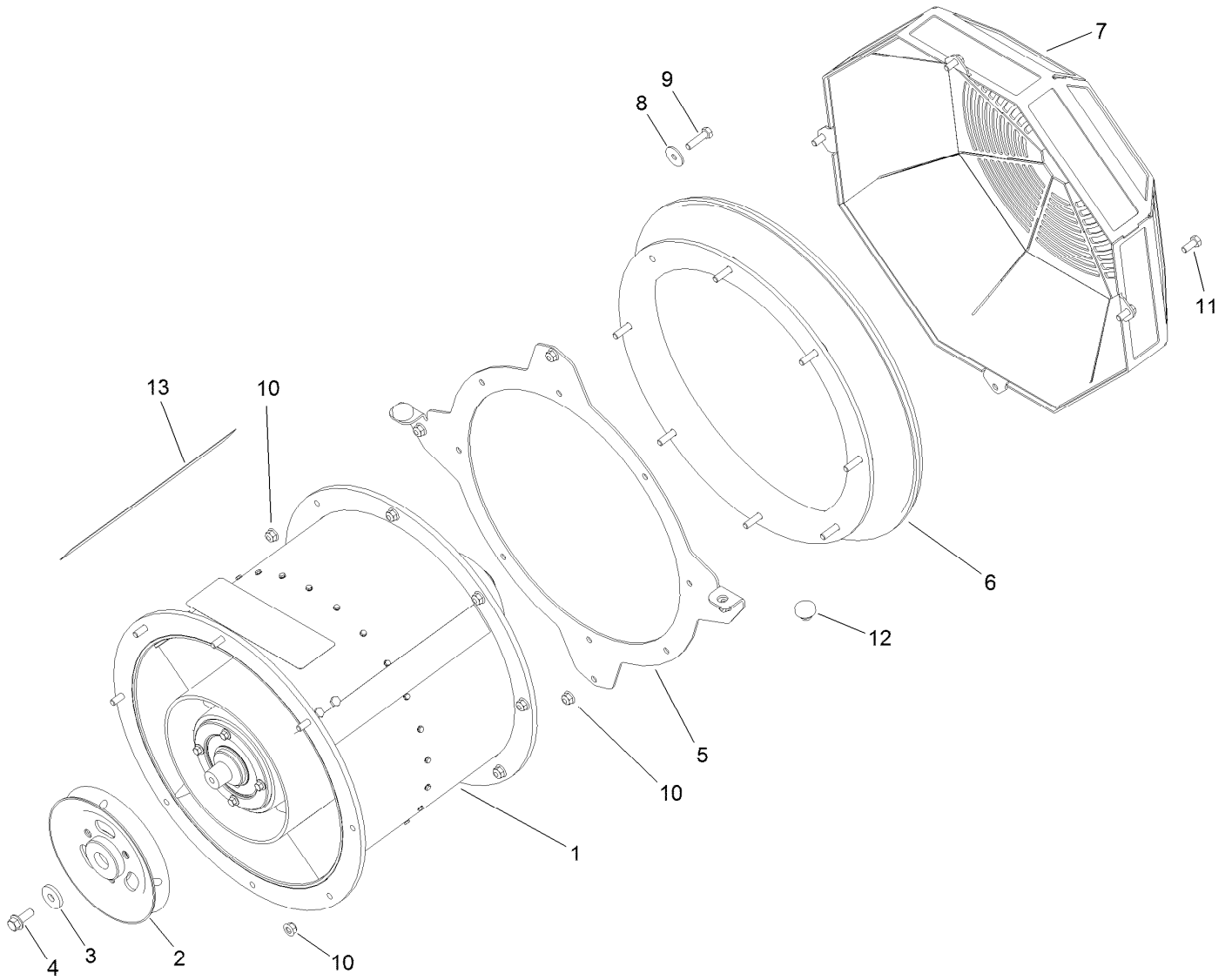
● Not serviced separately



Hydraulic Motor Assembly No. 99-0156

<i>Ref.</i>	<i>Part Number</i>	<i>Qty.</i>	<i>Description</i>
1	100-1446	1	Seal Kit ●
2	3257-8	1	Key-Woodruff

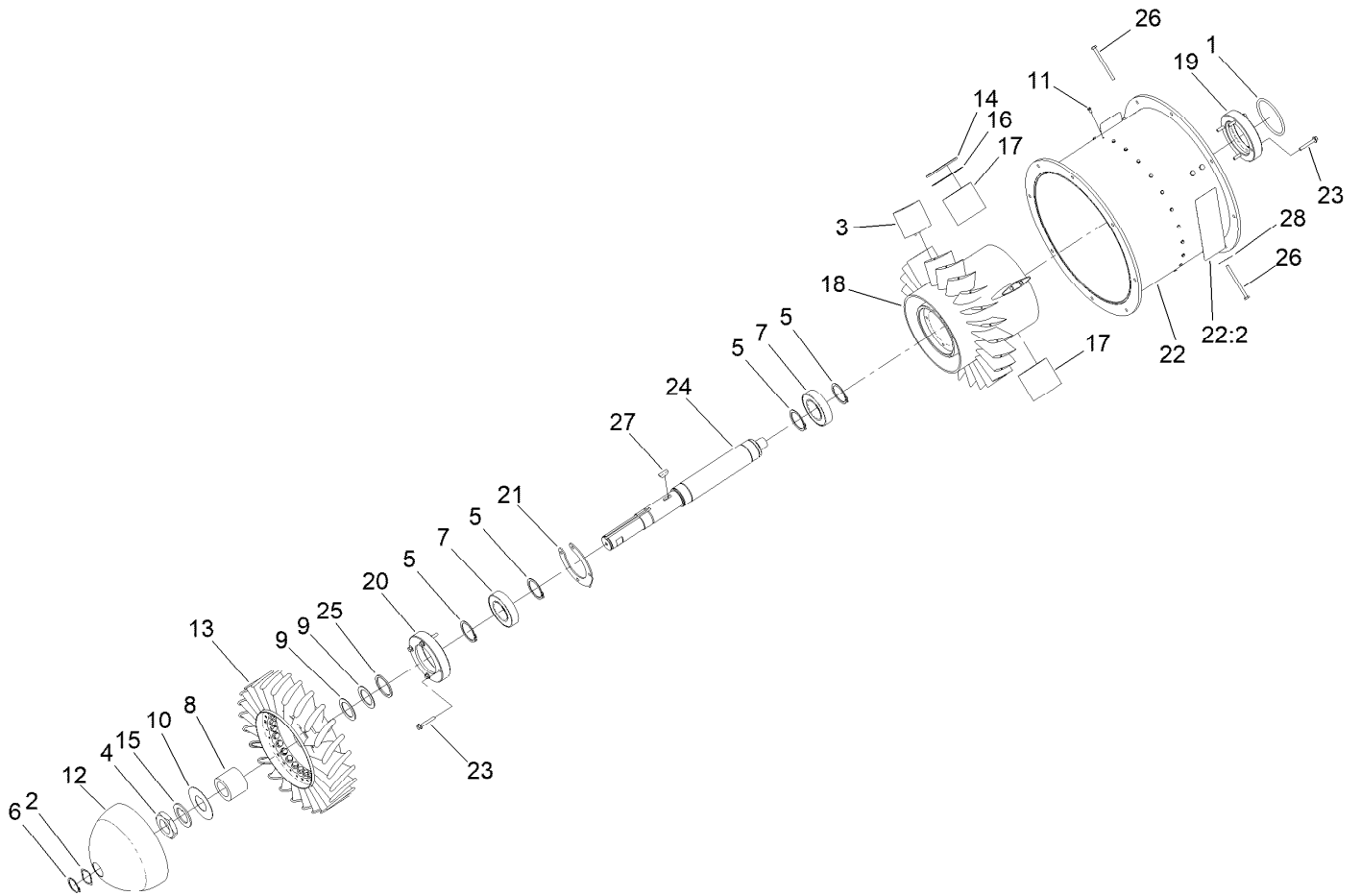
● Not illustrated



Turbine and Fan Guard Assembly

Ref.	Part Number	Qty.	Description
1	127-6277	1	Turbine ASM
2	138-1132	1	Pulley
3	99-2098	1	Washer
4	131-2220	1	Screw-HHF
5	137-6393-03	1	Bracket-Guard
6	117-8329	1	Bell-Inlet
7	127-6329-03	1	Guard-Fan
8	5-4460	8	Washer-Pivot
9	322-6	8	Screw-HH
10	104-8300	13	Nut-HF, NI
11	322-3	4	Screw-HH
12	104-1412	2	Bumper-Rubber
13	138-1117	2	Decal

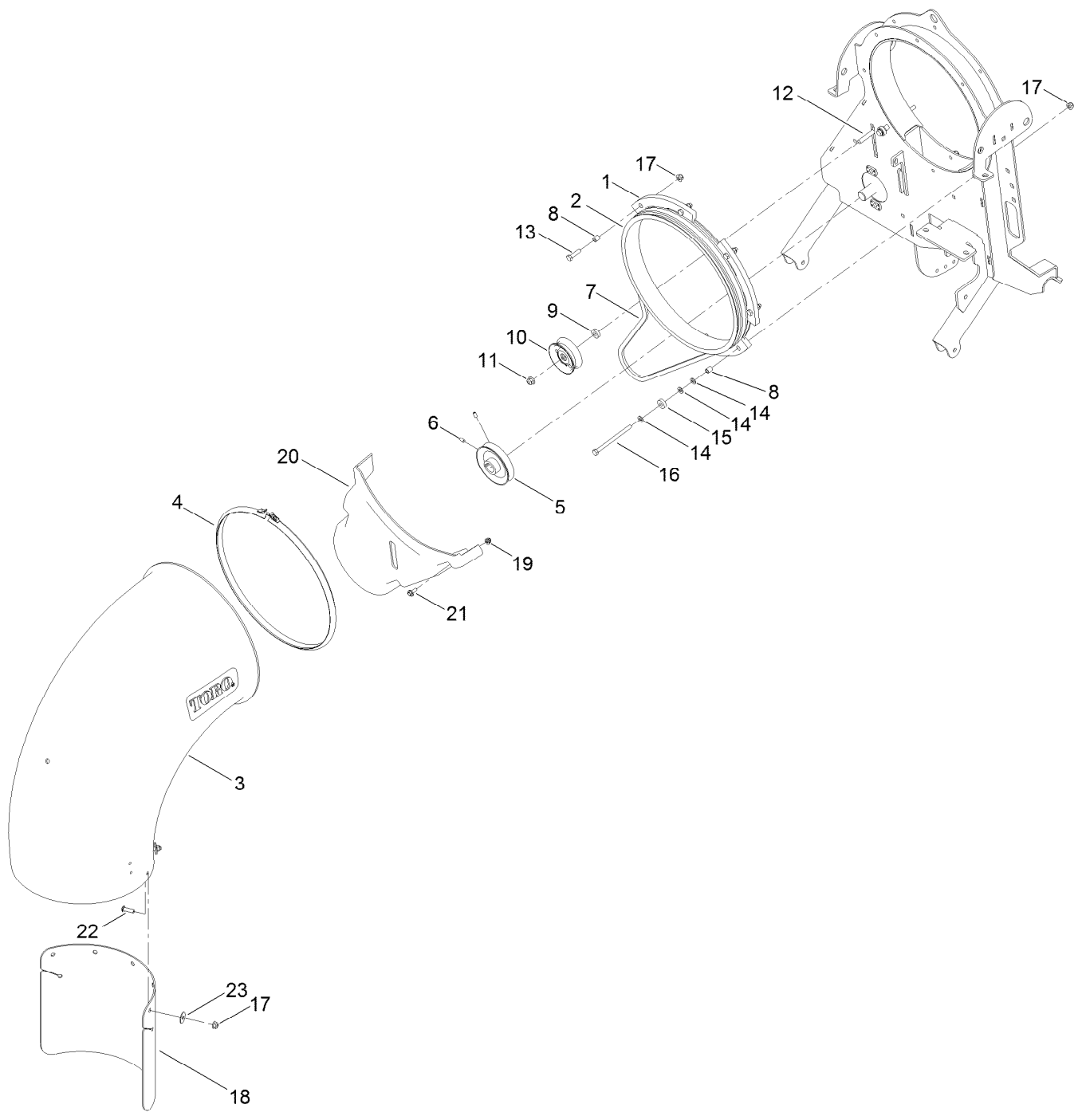
Turbine Assembly No. 127-6277



Turbine Assembly No. 127-6277 (continued)

<i>Ref.</i>	<i>Part Number</i>	<i>Qty.</i>	<i>Description</i>	<i>Ref.</i>	<i>Part Number</i>	<i>Qty.</i>	<i>Description</i>
1	92-9533	1	O-Ring	16	119-6207	1	Spacer-Fin
2	93-4632	1	Washer-Wavey	17	119-6444	4	Mount-Fin
3	112-1871	24	Vane-Stator	18	120-5920	1	Inner Housing
4	112-1899	1	Nut	19	120-6042	1	End-Oring
5	112-1951	4	Ring-Snap, EXT	20	120-6061	1	Bearing-Cap
6	112-1952	1	Ring-Snap, EXT	21	120-6063	1	End-Cap
7	127-6348	2	Bearing-Ball	22	125-4284	1	Vertical Housing ASM
8	114-2164	1	Spacer	22:2	137-3999	2	Decal-Danger
9	115-5131	2	Washer	23	125-4287	8	Screw-HHF
10	115-9005	1	Washer-Tab	24	127-6278	1	Shaft-Fan
11	117-8303	24	Screw-HHF	25	127-6298	1	Spacer-Bearing
12	131-9440	1	Cap-Front	26	321-19	8	Screw-HH
13	117-8356	1	Rotor	27	3257-42	1	Key-Woodruff
14	117-8393	1	Spacer-Fin	28	140-6815	4	Tab-Locking
15	119-6202	1	Washer-Tab				

Nozzle Assembly



Nozzle Assembly (continued)

<i>Ref.</i>	<i>Part Number</i>	<i>Qty.</i>	<i>Description</i>	<i>Ref.</i>	<i>Part Number</i>	<i>Qty.</i>	<i>Description</i>
1	114-9868	4	Guide-Nozzle	13	322-6	6	Screw-HH
2	112-1874	1	Pulley-Nozzle	14	3256-74	6	Washer-Flat
3	137-6374	1	Nozzle	15	251-259	2	Bearing-Ball
4	112-6899	1	Clamp-Nozzle	16	322-38	2	Screw-HH
5	138-5801	1	Pulley	17	104-8300	13	Nut-HF, NI
6	3245-9	2	Screw-Set, HSH	18	137-6379	1	Extension-Nozzle
7	137-6384	1	Belt-V	19	94-1610	3	Nut-Clip
8	93-6859	8	Spacer	20	137-6389	1	Cover-Belt
9	5-0652	1	Spacer	21	46-6811	3	Screw-HWH
10	130-8362	1	Pulley-Idler, Flat	22	3274-104	5	Screw-HSBH
11	104-8301	1	Nut-HF, NI	23	3256-35	5	Washer-Flat
12	117-9971	1	Bolt-Carriage				



Count on it.