



**Count on it.**

**Parts Catalog**

**Blower Kit**

**GrandStand® Multi Force® Mower**

Model No. 78593—Serial No. 40000000 and Up



# Ordering Replacement Parts

To order replacement parts, please supply the part number, the quantity, and the description of each part desired.

## Understanding Reference Numbers

Each identified part in an illustration has a reference number. The reference number for a part also appears in the parts list, along with other information about the part.

This catalog uses two special reference number formats, one to indicate parts in a service assembly and another to indicate the quantity of a given part in an illustration.

## Service Assembly Reference Numbers

Parts in service assemblies have reference numbers in the form a:b. The a represents the reference number of the entire service assembly and the b represents a sequential number unique to each part within the service assembly.

For example, a wheel assembly might be identified by reference number 6, the tire by 6:1, the valve by 6:2, and the wheel by 6:3. When you order the assembly identified by reference number 6, you receive all parts identified by reference numbers 6:1, 6:2, and 6:3. However, you may also order any part individually. Reference numbers of this type appear in illustration and in parts lists.

## Reference Numbers Indicating Quantity

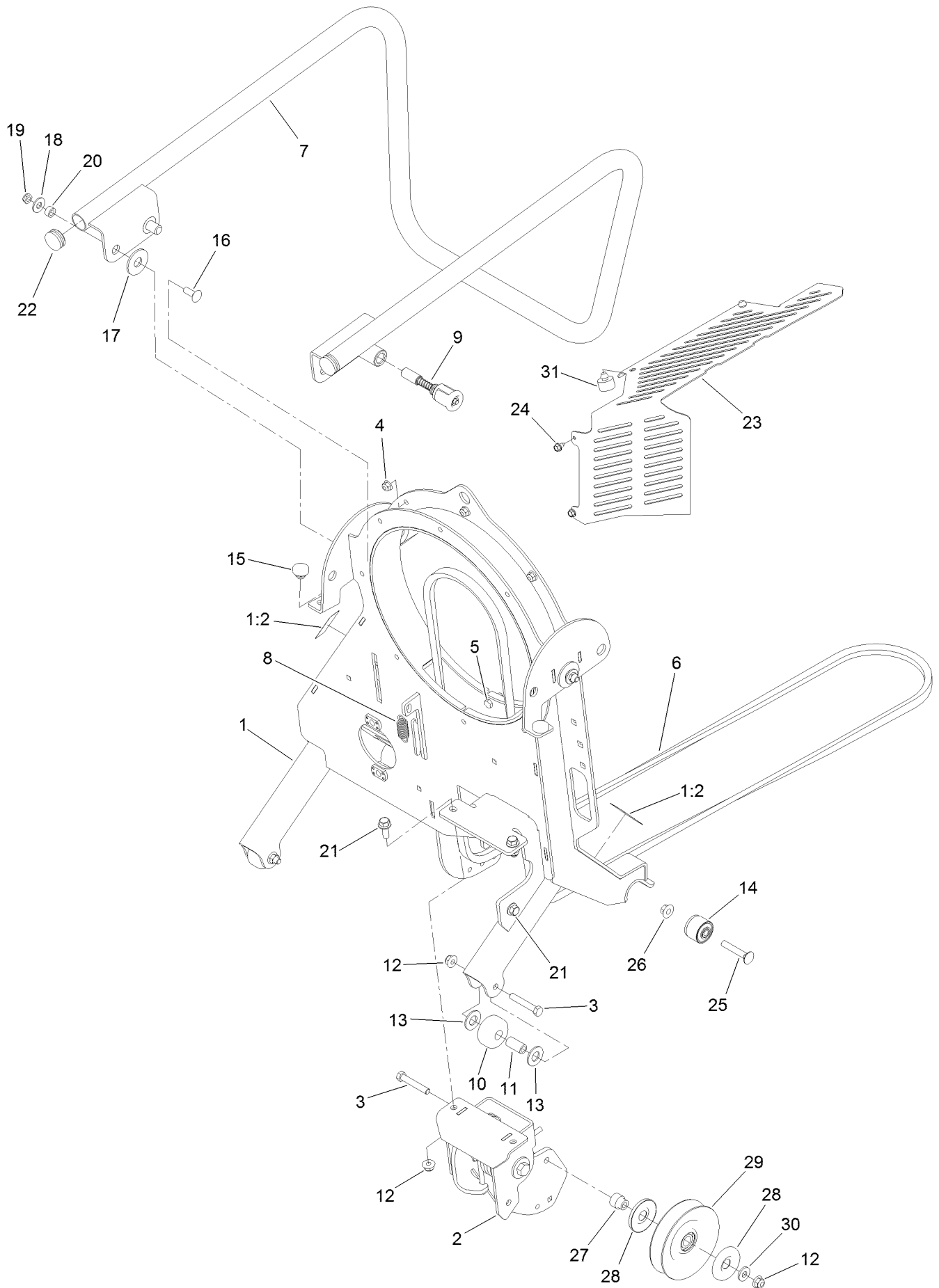
In an illustration, if a reference number indicates more than one part, the reference number has the form nX y. The n represents the quantity of the part, the X is the multiplication symbol, and the y represents the reference number.

For example, in an illustration, the reference number 2X 37 means that two of the parts identified by reference number 37 are indicated.

# Contents

Blower Frame Assembly .....	4
Idler Torsion Assembly No. 137-6449 .....	6
Blower Hitch, Motor and Pulley Assembly .....	8
Hydraulic Motor Assembly No. 99-0156 .....	10
Turbine and Fan Guard Assembly .....	11
Turbine Assembly No. 127-6277 .....	12
Nozzle Assembly .....	14

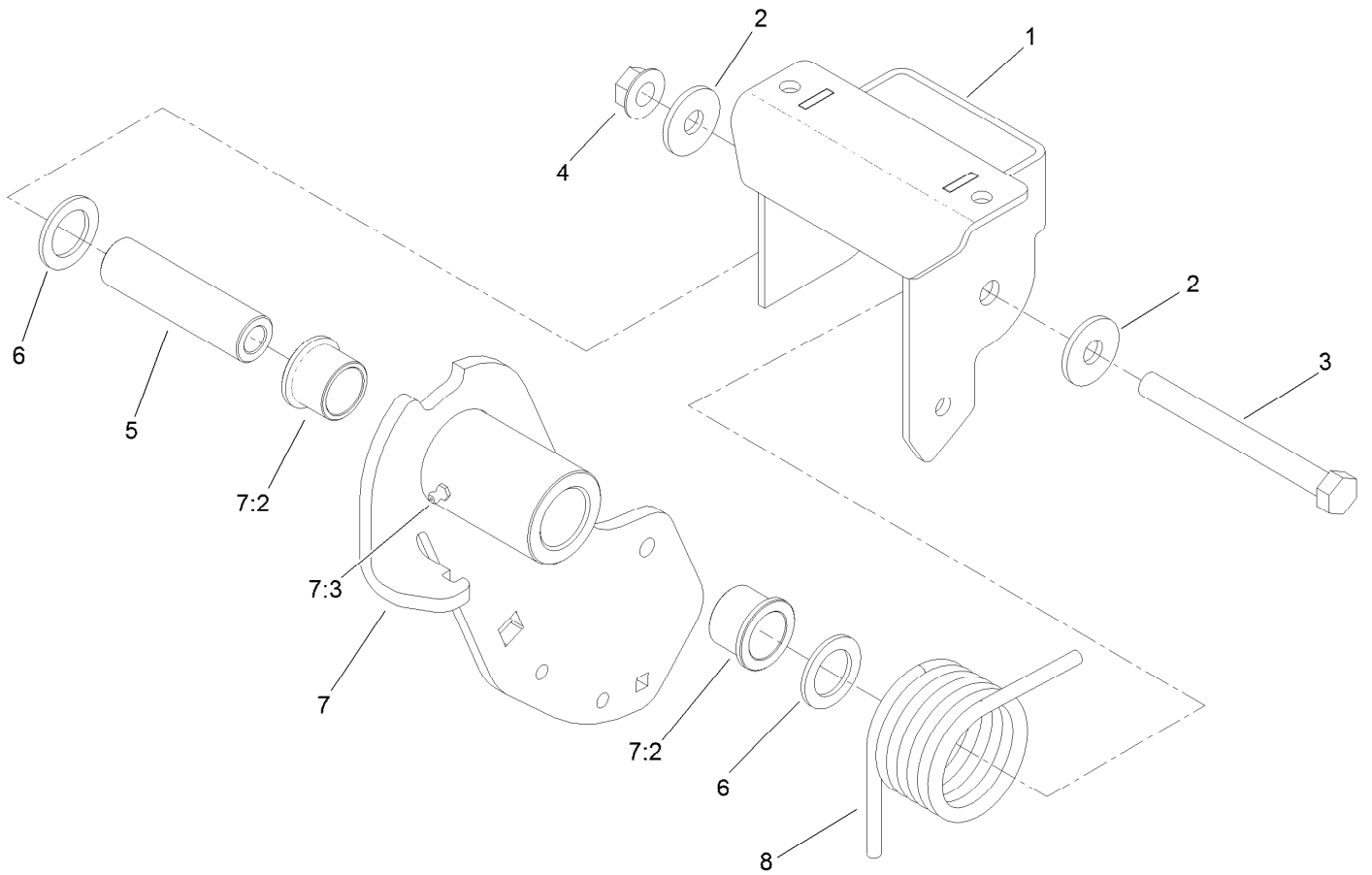
# Blower Frame Assembly



## Blower Frame Assembly (continued)

<i>Ref.</i>	<i>Part Number</i>	<i>Qty.</i>	<i>Description</i>	<i>Ref.</i>	<i>Part Number</i>	<i>Qty.</i>	<i>Description</i>
1	138-1110	1	Blower Frame ASM	16	3231-22	2	Screw-CARR
1:2	119-0217	2	Decal-Danger	17	112-3788	2	Spacer
2	137-6449	1	Idler Torsion ASM	18	3256-4	2	Washer-Flat
3	323-11	3	Screw-HH	19	3296-59	2	Nut-Lock, NI
4	104-8300	5	Nut-HF, NI	20	111044	2	Spacer
5	322-5	1	Screw-HH	21	131-2220	3	Screw-HHF
6	137-6376	1	Belt-V	22	138-0996	2	Cap-Tube
7	137-6375-03	1	Kickstand-Blower	23	138-5815-03	1	Guard-Muffler
8	613386	1	Spring-Brake	24	32104-116	2	Screw-HWHTF
9	116-0104	2	Pin-Spring	25	3231-7	2	Screw-CARR
10	108-4293	2	Roller	26	32128-19	2	Nut-HF Lock, Large Flg
11	108-6544	2	Spacer	27	1-603496	1	Bushing-Idler
12	104-8301	6	Nut-HF, NI	28	126-9195	2	Shield-Guard, Dust
13	3256-27	4	Washer-Flat	29	1-603805	1	Pulley-Idler
14	138-1082	2	Pivot-Mount ASM	30	9202414	1	Washer-Spacer
15	104-1412	2	Bumper-Rubber	31	120-7893	2	Bumper-Grommet

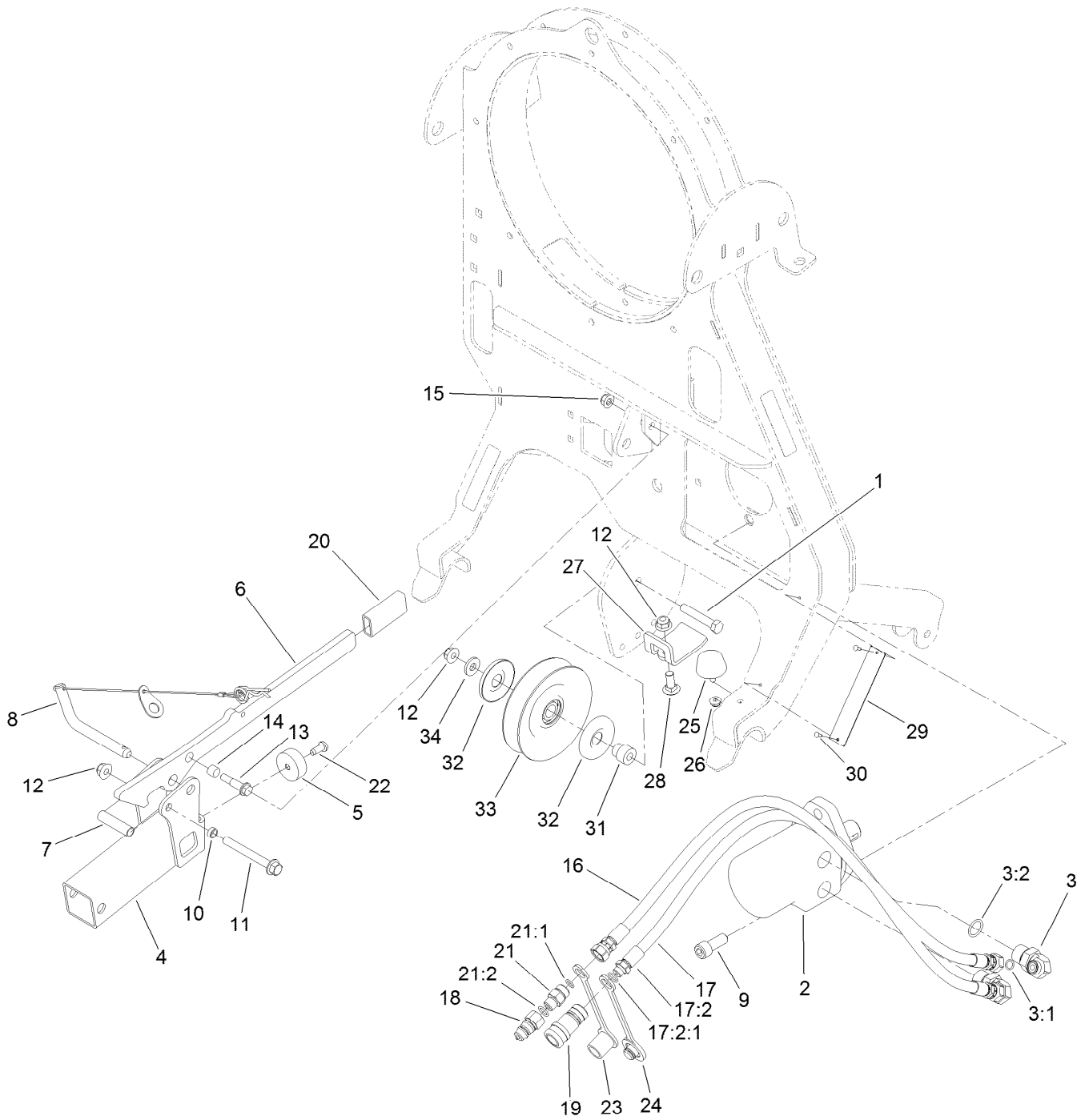
# Idler Torsion Assembly No. 137-6449



## Idler Torsion Assembly No. 137-6449 (continued)

<i>Ref.</i>	<i>Part Number</i>	<i>Qty.</i>	<i>Description</i>	<i>Ref.</i>	<i>Part Number</i>	<i>Qty.</i>	<i>Description</i>
1	137-6359	1	Bracket-Tensioner, Idler	6	136-5734	2	Spacer-Hardened
2	63-3340	2	Washer-Support	7	137-6400	1	Idler Tensioner Arm ASM
3	325-19	1	Screw-HH	7:2	94-8949	2	Bushing-Flange
4	32128-23	1	Nut-HF	7:3	302-19	1	Fitting-Grease
5	136-7394	1	Spacer-Plain	8	108-1921	1	Spring-Torsion

# Blower Hitch, Motor and Pulley Assembly

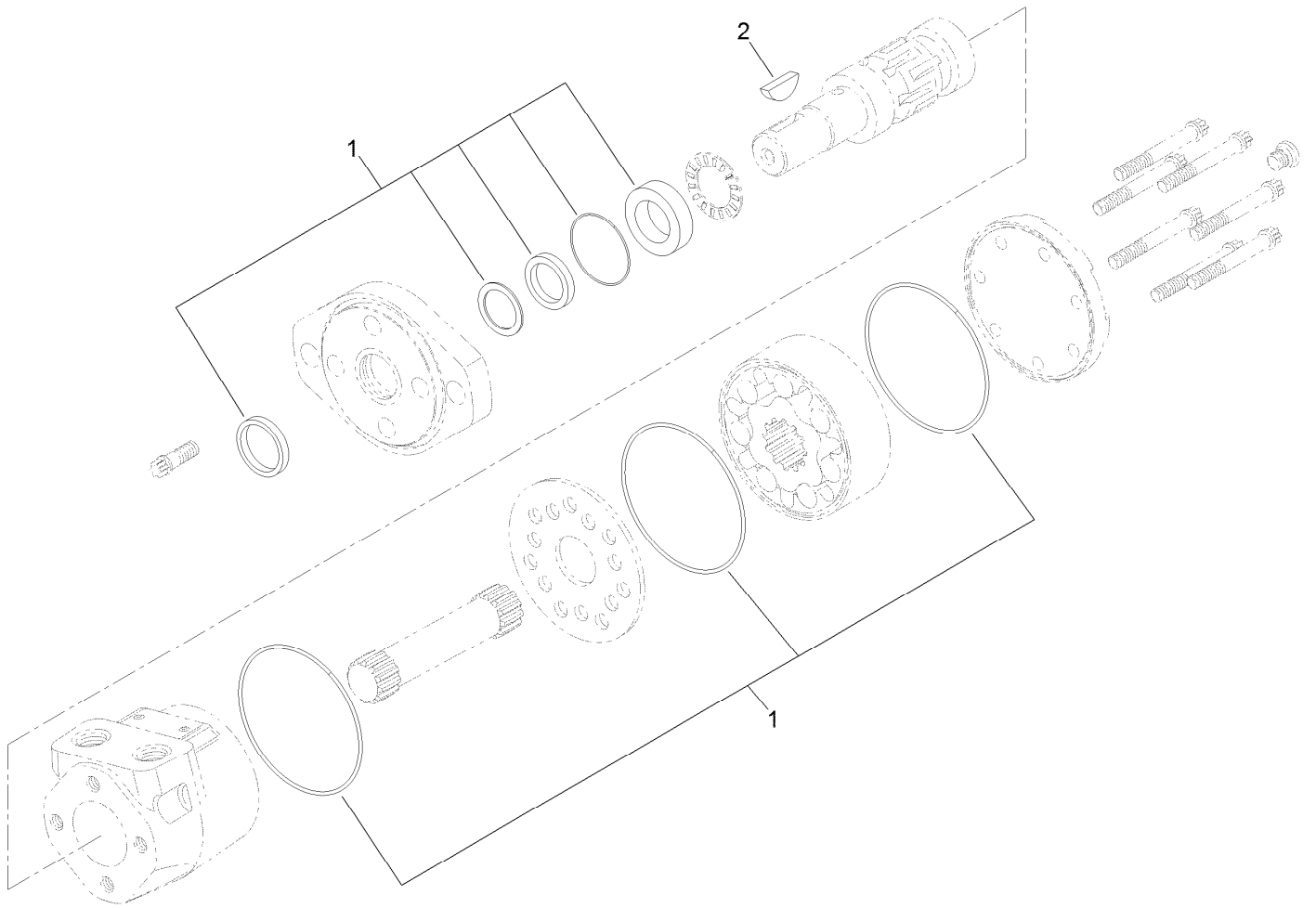




## Blower Hitch, Motor and Pulley Assembly (continued)

<i>Ref.</i>	<i>Part Number</i>	<i>Qty.</i>	<i>Description</i>	<i>Ref.</i>	<i>Part Number</i>	<i>Qty.</i>	<i>Description</i>
1	323-11	1	Screw-HH	17:2:1	237-42	1	O-Ring
2	99-0156	1	HYD Motor ASM	18	63-1240	1	Nipple-Disconnect, Quick
3	340-130	2	Fitting-Elbow 90	19	63-1220	1	Coupler-Disconnect, Quick
3:1	237-22	1	O-Ring	20	116-4312	1	Grip-Flat
3:2	237-80	1	O-Ring	21	114-7783	1	Fitting-Straight
4	137-6385-03	1	Blower Hitch ASM	21:1	237-22	1	O-Ring
5	133-0308	1	Bumper-Rubber	21:2	237-42	1	O-Ring
6	137-6386-03	1	Handle-Latch	22	613381	1	Screw-BHTF
7	93-2464	1	Spacer-Roller	23	353-985	1	Cap-Dust
8	119-8970	1	Pin-ROPS W/ Lanyard	24	353-984	1	Plug-Dust
9	3274-89	2	Screw-HSH	25	131-8834	1	Bumper
10	76-9100	1	Spacer	26	104-7201	1	Nut-HF
11	3234-41	1	Screw-HHF	27	137-6357-01	1	Bracket-Stop
12	104-8301	3	Nut-HF, NI	28	3231-2	1	Bolt-CARR
13	116-8607	1	Screw-Shoulder	29	137-9517	1	Plate-Serial
14	131-3951	1	Bushing	30	3290-271	2	Rivet-Pop
15	104-8300	1	Nut-HF, NI	31	1-603496	1	Bushing-Idler
16	137-6396	1	Hose ASM	32	126-9195	2	Shield-Guard, Dust
17	137-6398	1	Hose ASM	33	1-603805	1	Pulley-Idler
17:2		1	Fitting-Straight, Rigid ●	34	9202414	1	Washer-Spacer

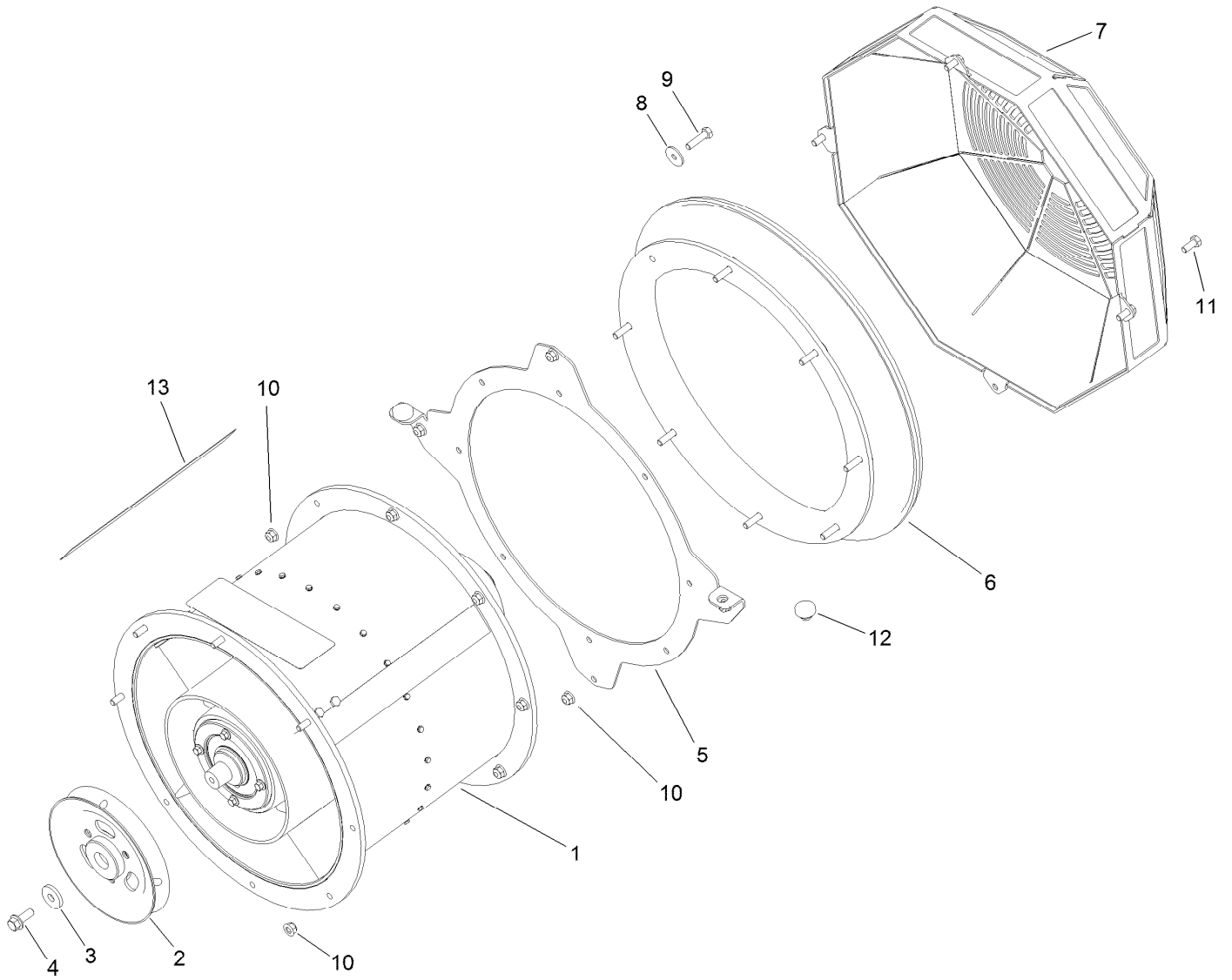
● Not serviced separately



## Hydraulic Motor Assembly No. 99-0156

<i>Ref.</i>	<i>Part Number</i>	<i>Qty.</i>	<i>Description</i>
1	100-1446	1	Seal Kit ●
2	3257-8	1	Key-Woodruff

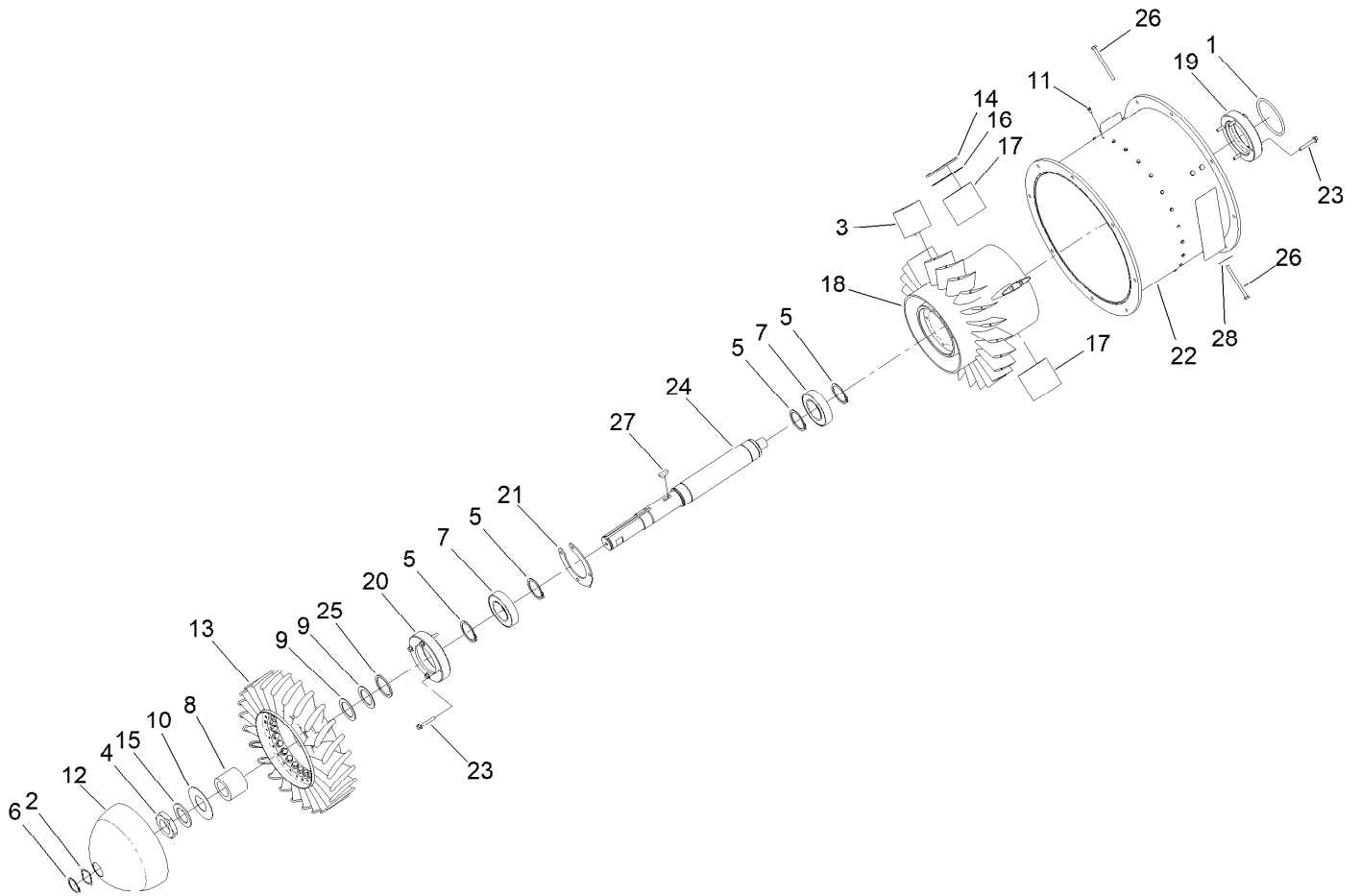
● Not illustrated



## Turbine and Fan Guard Assembly

Ref.	Part Number	Qty.	Description
1	127-6277	1	Turbine ASM
2	138-1132	1	Pulley
3	99-2098	1	Washer
4	131-2220	1	Screw-HHF
5	137-6393-03	1	Bracket-Guard
6	117-8329	1	Bell-Inlet
7	127-6329-03	1	Guard-Fan
8	5-4460	8	Washer-Pivot
9	322-6	8	Screw-HH
10	104-8300	13	Nut-HF, NI
11	322-3	4	Screw-HH
12	104-1412	2	Bumper-Rubber
13	138-1117	2	Decal

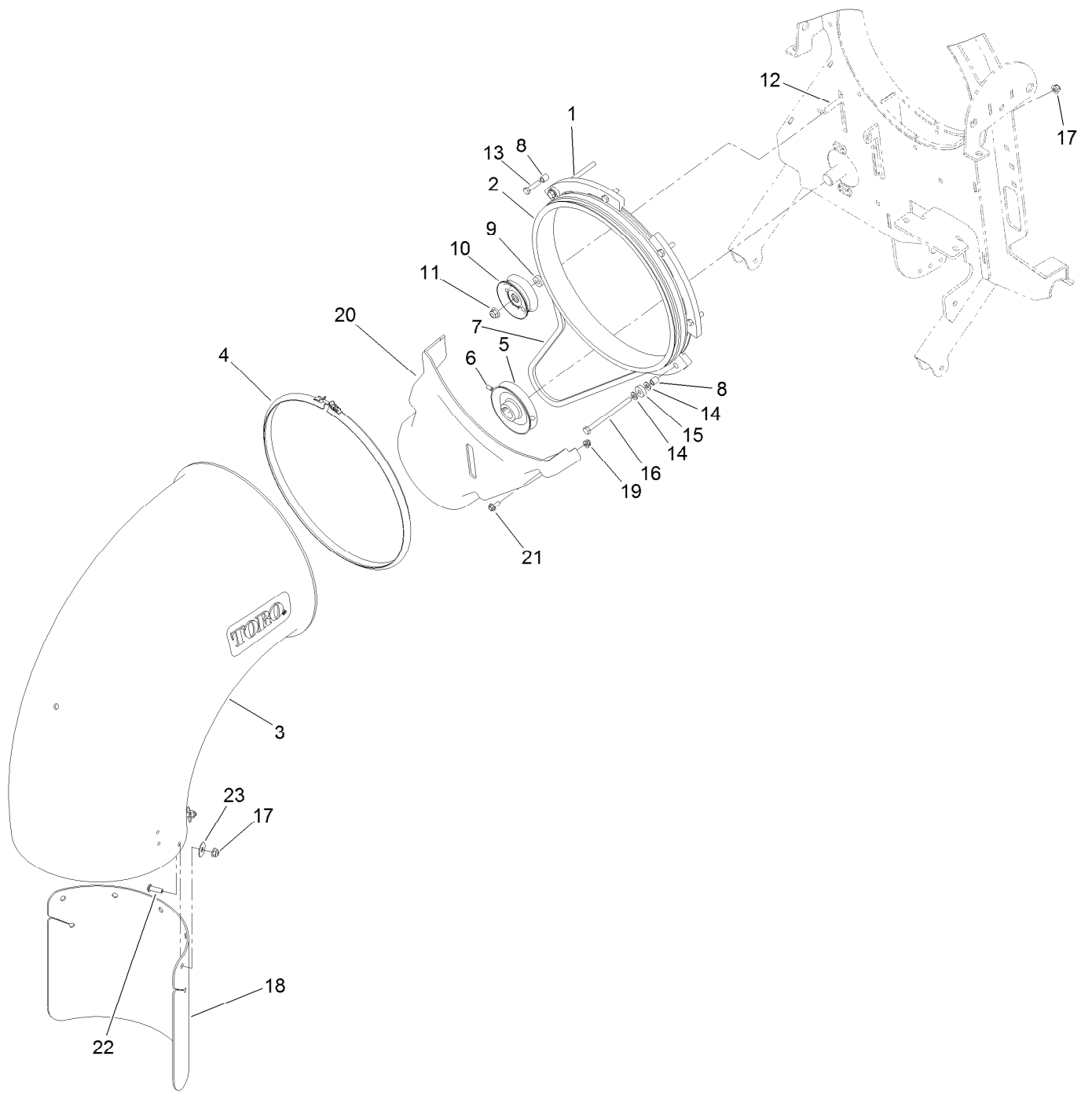
# Turbine Assembly No. 127-6277



## Turbine Assembly No. 127-6277 (continued)

<i>Ref.</i>	<i>Part Number</i>	<i>Qty.</i>	<i>Description</i>	<i>Ref.</i>	<i>Part Number</i>	<i>Qty.</i>	<i>Description</i>
1	92-9533	1	O-Ring	15	119-6202	1	Washer-Tab
2	93-4632	1	Washer-Wavey	16	119-6207	1	Spacer-Fin
3	112-1871	24	Vane-Stator	17	119-6444	4	Mount-Fin
4	112-1899	1	Nut	18	120-5920	1	Inner Housing
5	112-1951	4	Ring-Snap, EXT	19	120-6042	1	End-Oring
6	112-1952	1	Ring-Snap, EXT	20	120-6061	1	Bearing-Cap
7	127-6348	2	Bearing-Ball	21	120-6063	1	End-Cap
8	114-2164	1	Spacer	22	125-4284	1	Vertical Housing ASM
9	115-5131	2	Washer	23	125-4287	8	Screw-HHF
10	115-9005	1	Washer-Tab	24	127-6278	1	Shaft-Fan
11	117-8303	24	Screw-HHF	25	127-6298	1	Spacer-Bearing
12	131-9440	1	Cap-Front	26	321-19	8	Screw-HH
13	117-8356	1	Rotor	27	3257-42	1	Key-Woodruff
14	117-8393	1	Spacer-Fin	28	140-6815	4	Tab-Locking

# Nozzle Assembly



## Nozzle Assembly (continued)

<i>Ref.</i>	<i>Part Number</i>	<i>Qty.</i>	<i>Description</i>	<i>Ref.</i>	<i>Part Number</i>	<i>Qty.</i>	<i>Description</i>
1	114-9868	4	Guide-Nozzle	13	322-6	6	Screw-HH
2	112-1874	1	Pulley-Nozzle	14	3256-74	4	Washer-Flat
3	137-6374	1	Nozzle	15	251-259	2	Bearing-Ball
4	112-6899	1	Clamp-Nozzle	16	322-38	2	Screw-HH
5	138-5801	1	Pulley	17	104-8300	13	Nut-HF, NI
6	3245-9	2	Screw-Set, HSH	18	137-6379	1	Extension-Nozzle
7	137-6384	1	Belt-V	19	94-1610	3	Nut-Clip
8	93-6859	8	Spacer	20	137-6389	1	Cover-Belt
9	5-0652	1	Spacer	21	46-6811	3	Screw-HWH
10	130-8362	1	Pulley-Idler, Flat	22	3274-104	5	Screw-HSBH
11	104-8301	1	Nut-HF, NI	23	3256-35	5	Washer-Flat
12	117-9971	1	Bolt-Carriage				



**Count on it.**