



Count on it.

Parts Catalog

**Groundsmaster® 7200 Series
Traction Unit**

Model No. 30495—Serial No. 409300000 and Up



Ordering Replacement Parts

To order replacement parts, please supply the part number, the quantity, and the description of each part desired.

Understanding Reference Numbers

Each identified part in an illustration has a reference number. The reference number for a part also appears in the parts list, along with other information about the part.

This catalog uses two special reference number formats, one to indicate parts in a service assembly and another to indicate the quantity of a given part in an illustration.

Service Assembly Reference Numbers

Parts in service assemblies have reference numbers in the form a:b. The a represents the reference number of the entire service assembly and the b represents a sequential number unique to each part within the service assembly.

For example, a wheel assembly might be identified by reference number 6, the tire by 6:1, the valve by 6:2, and the wheel by 6:3. When you order the assembly identified by reference number 6, you receive all parts identified by reference numbers 6:1, 6:2, and 6:3. However, you may also order any part individually. Reference numbers of this type appear in illustration and in parts lists.

Reference Numbers Indicating Quantity

In an illustration, if a reference number indicates more than one part, the reference number has the form nX y. The n represents the quantity of the part, the X is the multiplication symbol, and the y represents the reference number.

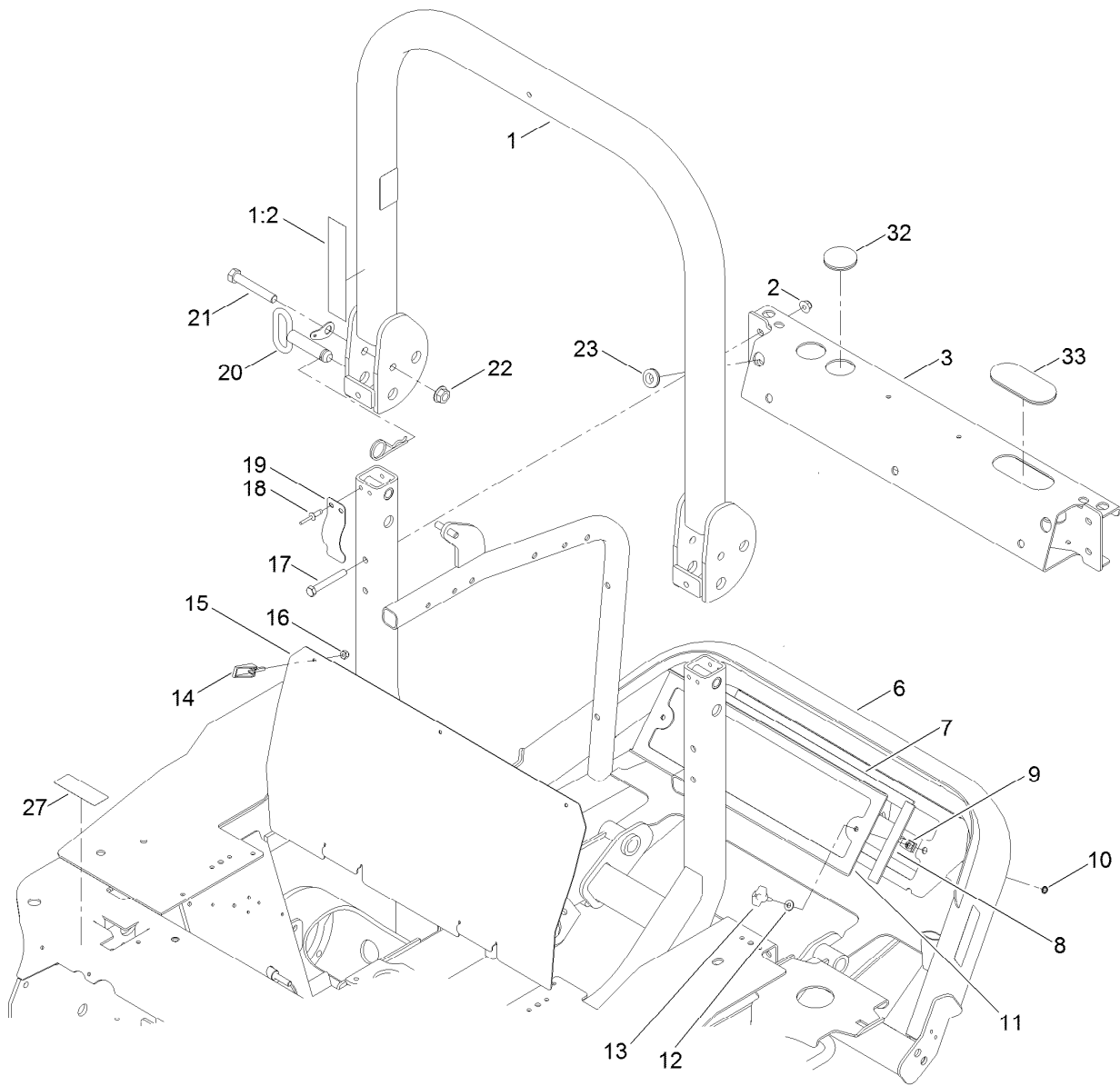
For example, in an illustration, the reference number 2X 37 means that two of the parts identified by reference number 37 are indicated.

Contents

Rear Frame Assembly	5
Engine Assembly	6
Transmission and Gear Pump Assembly	7
Charge Pump Housing Assembly Transmission Assembly No. 131-5510	8
Center Section Assembly Transmission Assembly No. 131-5510	10
Gear Case and Clutch Assembly Transmission Assembly No. 131-5510	12
Driveshaft Assembly No. 110-3575	14
Hydraulic Gear Pump Assembly No. 112-9542	15
Rear Drive Assembly	16
Hydraulic Motor Assembly No. 108-5155	17
Hydraulic Motor Assembly No. 108-5230	18
LH Brake Caliper Assembly No. 120-0013	19
RH Brake Caliper Assembly No. 120-0014	20
Brake Handle Assembly	21
Radiator and Oil Cooler Assembly	22
Traction Control Assembly	23
Link Assembly No. 112-5099	24
RH Lever Assembly No. 125-2687	25
Control Panel Assembly	26
Left-Hand and Right-Hand Fuel Tank Assembly	27
LH Fuel Tank Assembly No. 110-8230	28
RH Fuel Tank Assembly No. 110-8236	29
Fuel Filter/Separator Assembly	30
Hood and Screen Assembly	31
Seat and Seat Plate Assembly	32
Seat Assembly No. 125-3107	33
Floorplate and Carrier Frame Assembly	34
Carrier Frame Assembly No. 136-4466	35
Lift Valve and Cylinder Assembly	36
Valve Assembly No. 131-1934	37
Hydraulic Cylinder Assembly No. 110-9834	38
Caster Wheel Assembly	39
Caster Wheel Assembly No. 133-4723	40
Deck Lift Assembly	41
Electrical Assembly	42
Transmission and Oil Cooler Hydraulic Assembly	43
Hydraulic Reservoir Assembly	44
Hydraulic Reservoir Assembly No. 110-8237	45
Air Cleaner Assembly	46
Air Cleaner Assembly No. 136-4481	47
Crankcase Assembly	48
Oil Pan and Dipstick Assembly	49
Cylinder Head Assembly	50
Gear Case and Oil Filter Cartridge Assembly	51
Cylinder Head Cover Assembly	52
Main Bearing Case Assembly	53
Camshaft and Idle Gear Shaft Assembly	54
Piston and Crankshaft Assembly	55
Fuel Camshaft and Governor Shaft Assembly	56
Idle Apparatus Assembly	57
Injection Pump Assembly	58
Governor Assembly	59
Speed Control Plate Assembly	60
Nozzle Holder and Glow Plug Assembly	61

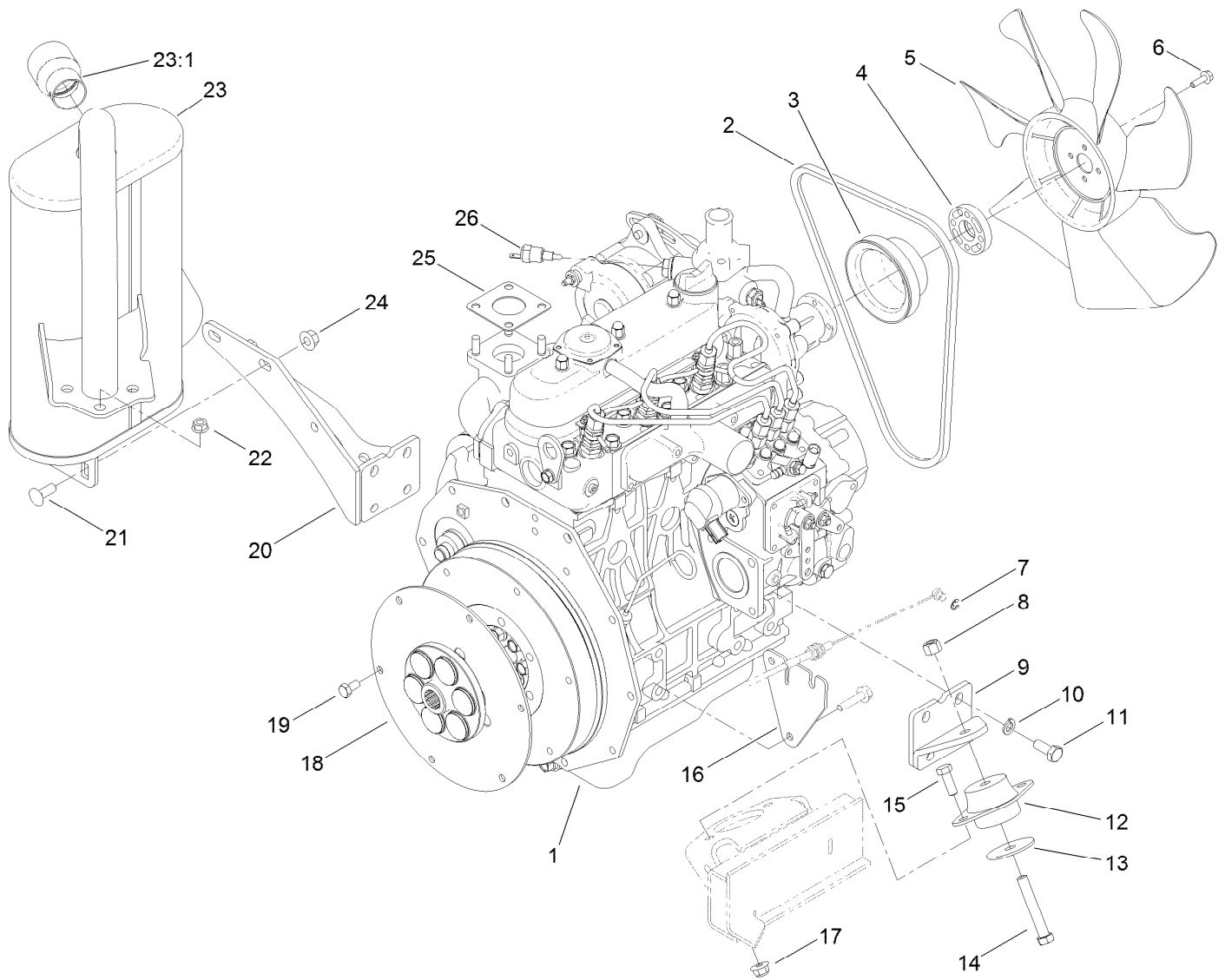
Contents (continued)

Nozzle Holder Assembly	62
Alternator, Pulley and Fan Assembly	63
Alternator Assembly No. 131-6557	64
Starter and Flywheel Assembly	65
Starter Component Assembly	66
Water Flange and Thermostat Assembly	67
Water Pump Assembly	68
Valve and Rocker Arm Assembly	69
Inlet and Exhaust Manifold Assembly	70
Miscellaneous Engine Parts	71
Upper Gasket Kit	72
Lower Engine Gasket Kit	73
Attachments and Accessories	74



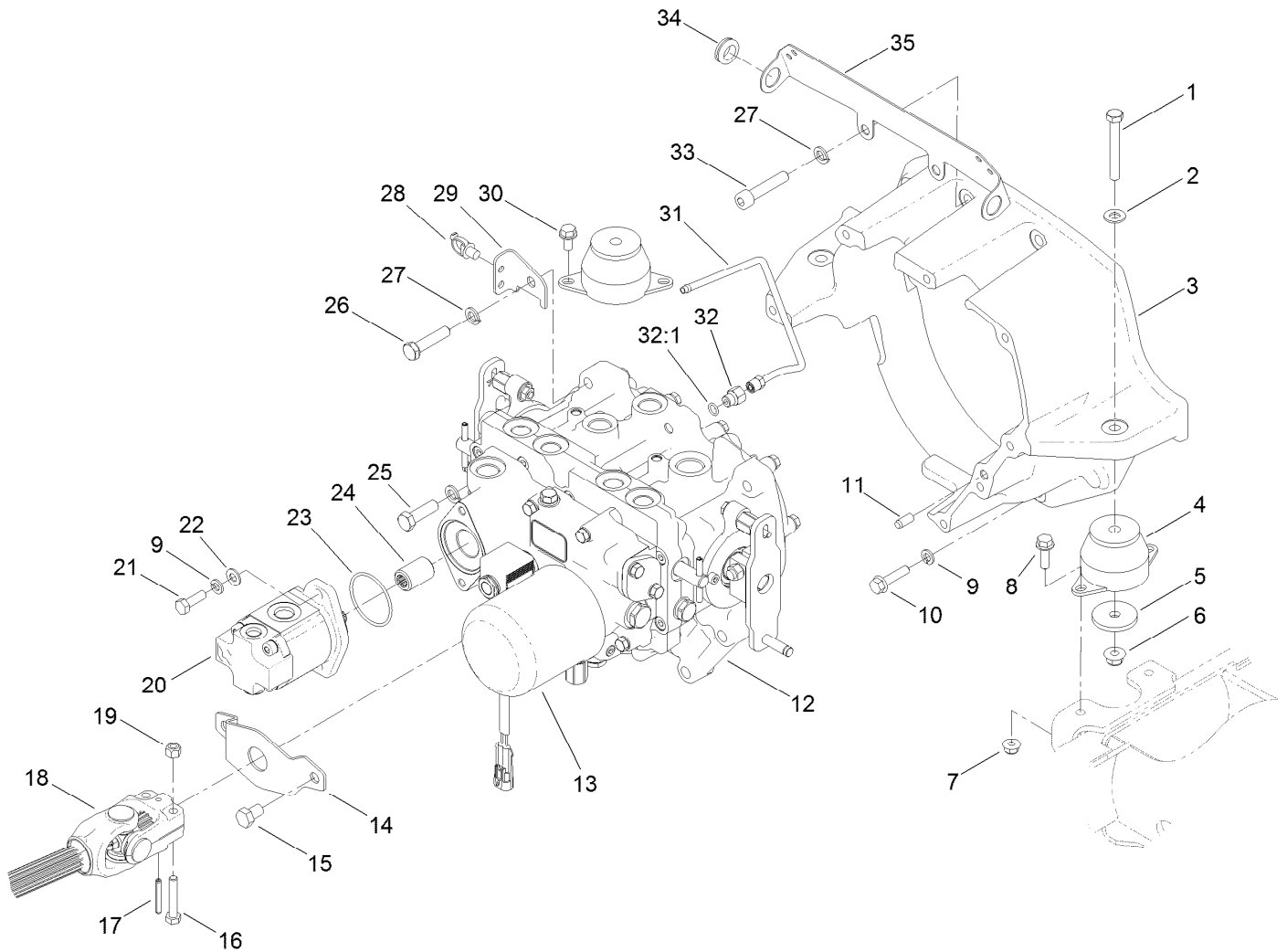
Rear Frame Assembly

<i>Ref.</i>	<i>Part Number</i>	<i>Qty.</i>	<i>Description</i>	<i>Ref.</i>	<i>Part Number</i>	<i>Qty.</i>	<i>Description</i>
1	110-9770	1	Upper ROPS ASM	15	125-2718-03	1	Panel-Rear
1:2	107-3069	1	Decal-Warning	16	1-804254	3	Nut-Lock, HH
2	104-8301	4	Nut-HF, NI	17	323-13	4	Screw-HH
3	132-8150	1	Crossmember	18	3290-412	4	Rivet-Blind
6	125-2714-03	1	Frame-Rear	19	110-5696	2	Spring-Leaf
7	120-0019	2	Strip-Foam	20	103-4553	2	Pin-Fold, ROPS
8	120-0017	2	Strip-Foam	21	112-7264	2	Screw-HH
9	107069	2	Clip	22	32128-23	2	Nut-HF
10	32151-106	2	Ring-Retaining	23	237-124	2	Grommet
11	112-6384-0P	1	Screen	27	133-5618	1	Decal-Arrester, Spark
12	3256-22	2	Washer-Flat	32	105-5761	2	Grommet
13	98-8332	2	Knob	33	130-6086	1	Grommet
14	74-5950	3	Latch-Swell				



Engine Assembly

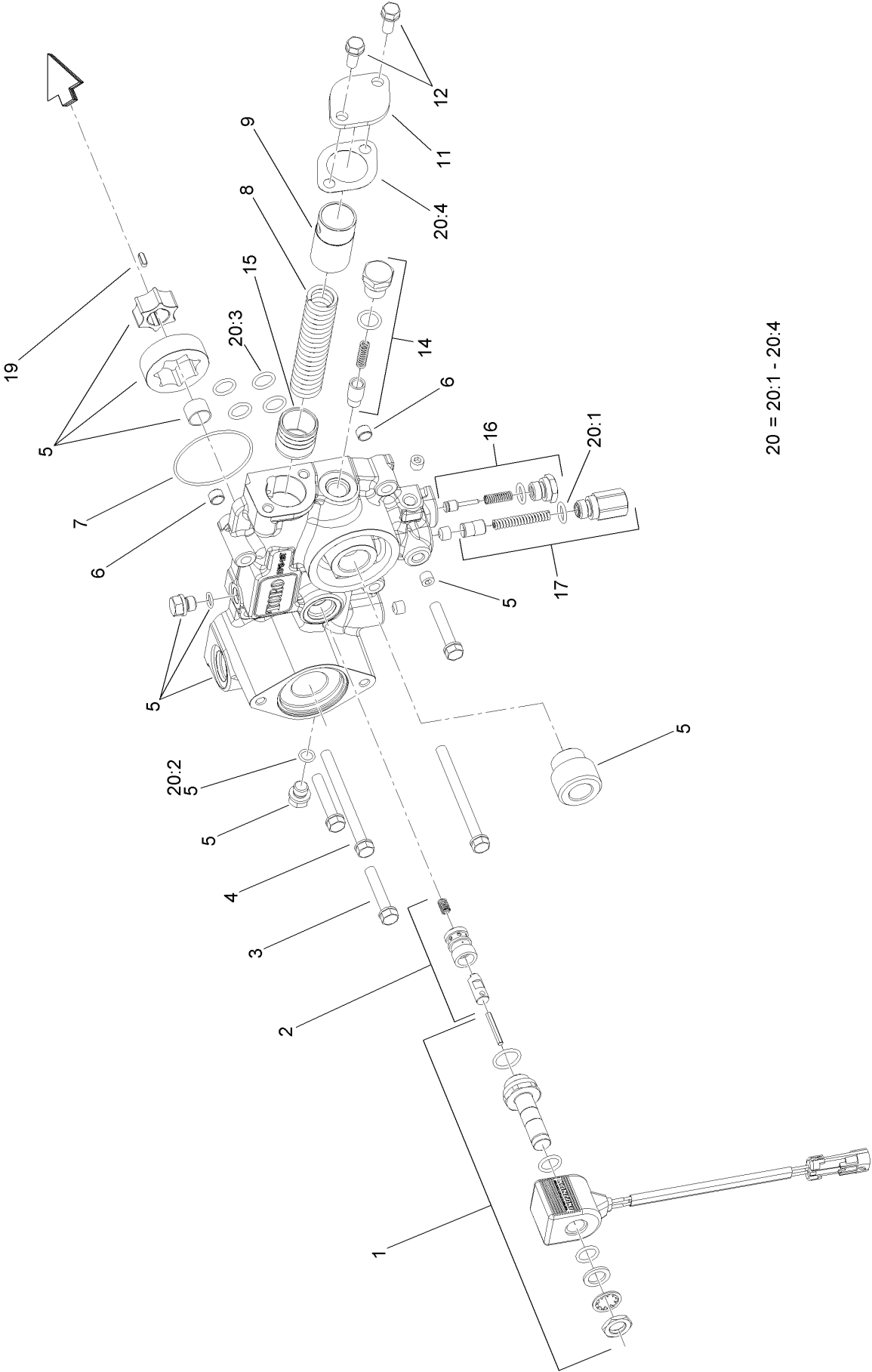
<i>Ref.</i>	<i>Part Number</i>	<i>Qty.</i>	<i>Description</i>	<i>Ref.</i>	<i>Part Number</i>	<i>Qty.</i>	<i>Description</i>
1	138-6907	1	Engine-Kubota, D1105	15	323-6	4	Screw-HH
2	98-9676	1	V-Belt	16	114-4060	1	Bracket-Throttle
3	98-9584	1	Pulley-Fan	17	104-8301	4	Nut-HF, NI
4	108-2872	1	Collar-Fan	18	110-9729	1	Coupling-Flywheel
5	104-4246	1	Fan-Engine	19	99-5132	6	Bolt
6	33103-020	4	Screw-HHF	20	108-9926-0P	1	Bracket-Muffler
7	701197	1	E-Ring	21	3231-22	2	Screw-CARR
8	3296-48	2	Nut-Hex	22	33004-00	4	Nut-HF
9	105-7235-0P	1	Mount-Rear, LH	23	105-7230	1	Muffler
10	48-9590	8	Washer-Lock	23:1	112-1688	1	Spark Arrestor Kit
11	43-0090	8	Screw-HH	24	32128-29	2	Nut-Lock, Flange
12	130-2486	2	Mount	25	99-8343	1	Gasket-Muffler
13	87-5100	2	Washer-Snubbing	26	98-9719	1	Thermoswitch
14	324-11	2	Screw-HH				



Transmission and Gear Pump Assembly

Ref.	Part Number	Qty.	Description	Ref.	Part Number	Qty.	Description
1	323-13	2	Screw-HH	19	3296-29	4	Nut-Lock, NI
2	3256-24	2	Washer-Flat	20	112-9542	1	HYD Gear Pump ASM
3	108-5193	1	Housing-Flywheel	21	33114-025	2	Screw-HH
4	107-2289	2	Mount-Motor	22	3256-23	2	Washer-Plain
5	80-8560	2	Washer-Hardened	23	108-9919	1	O-Ring
6	104-8301	2	Nut-HF, NI	24	108-9920	1	Coupler-Spline
7	104-8300	2	Nut-HF, NI	25	33115-035	1	Screw-HH
8	3234-17	2	Screw-HHF	26	33115-045	6	Screw-HH
9	3253-4	10	Washer-Lock	27	48-9590	9	Washer-Lock
10	33104-035	8	Screw-HHF	28	32180-030	1	Clip-Tie
11	87-1910	4	Pin-Dowel	29	120-0239	1	Support-Tube
12	131-5510	1	Transmisson ASM	30	32144-14	2	Screw-HWHTF
13	108-5194	1	Filter-Oil, HYD	31	110-5537	1	Tube
14	114-4088	1	Shield-Seal	32	110-5536	1	Fitting-HYD, Adapter
15	33115-016	2	Screw-HH	32:1	237-78	1	O-Ring
16	322-9	4	Screw-HH	33	3274-106	2	Screw-HSH
17	32121-34	2	Pin-Roll	34	99-3481	2	Grommet
18	110-3575	1	Driveshaft ASM	35	125-2716-0P	1	Bracket-Wire

Charge Pump Housing Assembly Transmission Assembly No. 131-5510

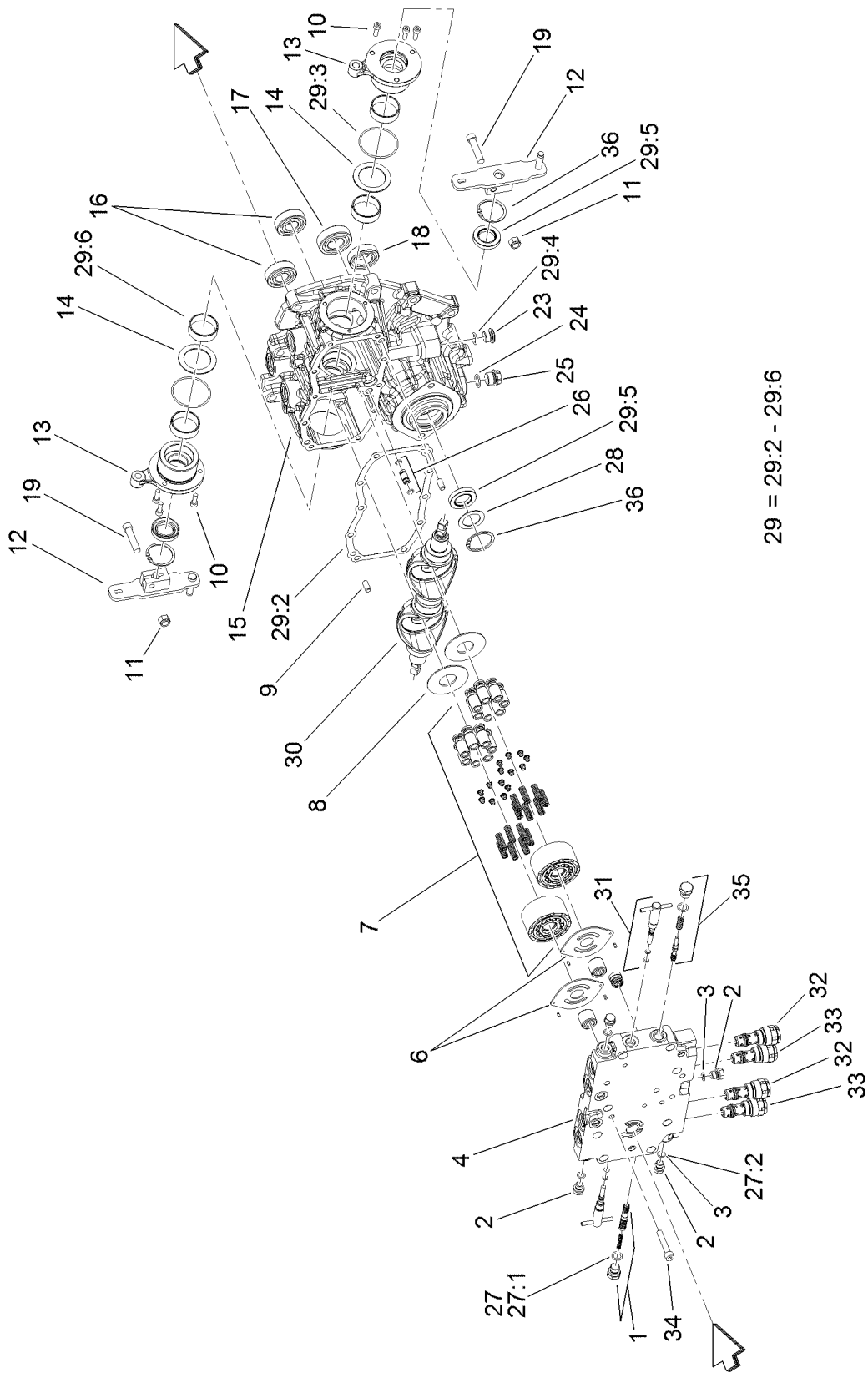


20 = 20:1 - 20:4

Charge Pump Housing Assembly Transmission Assembly No. 131-5510 (continued)

<i>Ref.</i>	<i>Part Number</i>	<i>Qty.</i>	<i>Description</i>	<i>Ref.</i>	<i>Part Number</i>	<i>Qty.</i>	<i>Description</i>
1	107-0851	1	Solenoid ASM	14	107-0843	1	Filter Bypass Valve ASM
2	107-0850	1	Solenoid Valve ASM	15	107-0818	1	Piston
3	107-0863	3	Bolt	16	107-0842	1	Charge Relief Valve ASM
4	107-0864	2	Bolt	17	107-0841	1	Pressure Valve ASM
5	107-0840	1	Pump Body ASM	19	107-0865	1	Key
6	107-0848	2	Pin	20	107-0855	1	Charge Pump Seal Kit
7	107-0856	1	O-Ring	20:1	93-0418	2	O-Ring
8	107-0845	1	Spring	20:2	107-0817	2	O Ring-Plug
9	107-0844	1	Collar	20:3	104-3298	6	Packing
11	107-0846	1	Cover	20:4	107-0847	1	Gasket
12	93-0457	2	Bolt And Washer ASM				

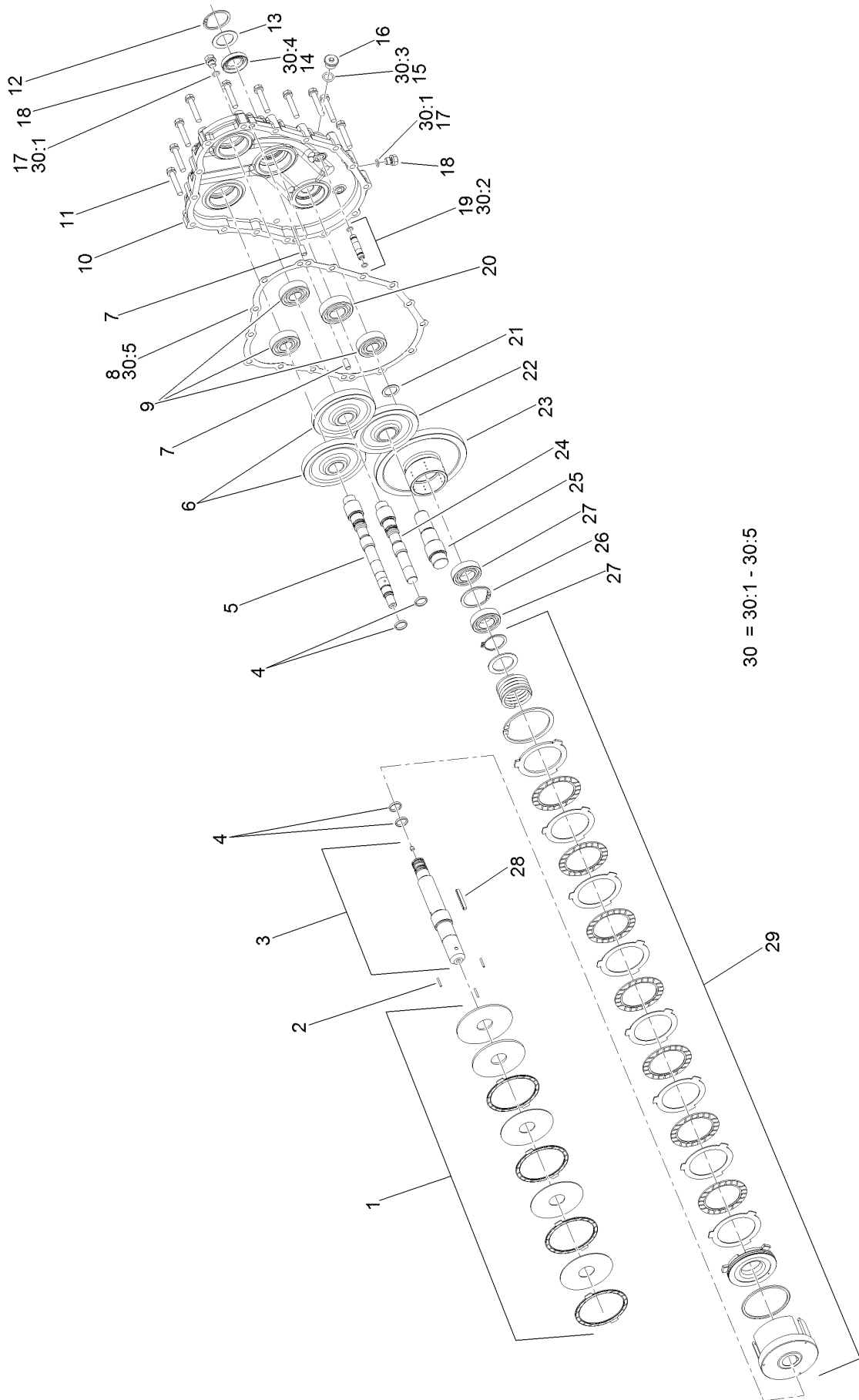
Center Section Assembly Transmission Assembly No. 131-5510



Center Section Assembly Transmission Assembly No. 131-5510 (continued)

<i>Ref.</i>	<i>Part Number</i>	<i>Qty.</i>	<i>Description</i>	<i>Ref.</i>	<i>Part Number</i>	<i>Qty.</i>	<i>Description</i>
1	107-0807	1	Valve-Flushing, RH	25	107-0867	1	Plug
2	107-0857	6	Plug	26	107-0812	1	Pipe
3	107-0817	6	O Ring-Plug	27	107-0852	1	Center Case Seal Kit
4	121-3377	1	Center Case, Complete	27:1	93-0418	2	O-Ring
6	107-0805	2	Plate-Valve	27:2	107-0817	6	O Ring-Plug
7	107-0824	2	Cylinder Block ASM	28	107-0813	1	Spacer
8	107-0830	2	Plate-Thrust	29	107-0853	1	Pump Housing Seal Kit
9	92-0765	4	Pin-Parallel	29:2	107-0810	1	Gasket-Case, Center
10	107-0859	6	Bolt	29:3	107-0817	2	O Ring-Plug
11	120-6681	2	U-Nut	29:4	104-3298	1	Packing
12	120-6680	2	Arm-Control	29:5	107-0814	3	Seal
13	107-0832	2	Side Cover ASM	29:6	107-0825	4	Ring-Seal
14	107-0829	2	Washer	30	120-6679	2	Plate-Swash
15	120-5151	1	Pump Housing ASM	31	107-0808	2	Valve-Bypass
16	107-0826	2	Bearing	32	107-0804	2	Valve-Rear
17	107-0821	1	Bearing	33	107-0803	2	Valve-Front
18	107-0838	1	Bearing	34	107-0863	8	Bolt
19	120-6682	2	Bolt	35	107-0806	1	Valve-Flushing, LH
23	107-0861	1	Plug-NPTF	36	92-0757	2	Ring-Snap
24	237-79	1	O-Ring				

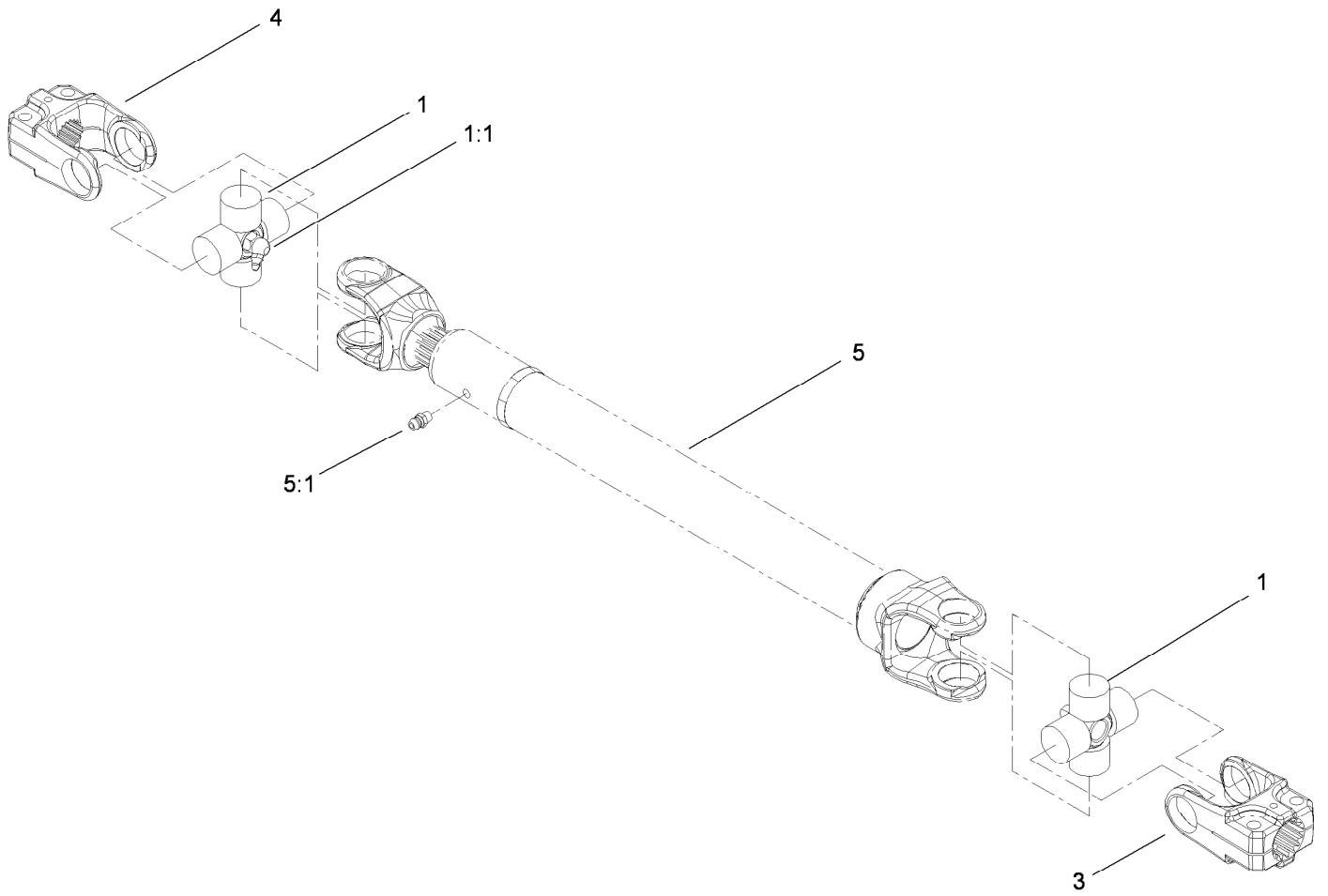
Gear Case and Clutch Assembly Transmission Assembly No. 131-5510



Gear Case and Clutch Assembly Transmission Assembly No. 131-5510 (continued)

<i>Ref.</i>	<i>Part Number</i>	<i>Qty.</i>	<i>Description</i>	<i>Ref.</i>	<i>Part Number</i>	<i>Qty.</i>	<i>Description</i>
1	107-0839	1	PTO Brake ASM	19	107-0811	1	Pipe
2	107-0837	3	Rod-Push	20	107-0821	2	Bearing
3	107-0833	1	PTO Shaft ASM	21	107-0836	1	Spacer
4	107-0825	2	Ring-Seal	22	107-0820	1	Gear-Input
5	107-0827	1	Shaft-Pump	23	107-0834	1	Gear-PTO
6	107-0823	2	Gear-Pump	24	107-0822	1	Shaft-Pump
7	92-0765	4	Pin-Parallel	25	107-0819	1	Shaft-Input
8	107-0816	1	Gasket-Housing, Gear	26	92-0758	1	Ring-Snap
9	107-0826	4	Bearing	27	107-0838	3	Bearing
10	120-5152	1	Housing-Case, Gear	28	107-0866	1	Key
11	107-0863	13	Bolt	29	107-0835	1	Clutch Cylinder ASM
12	92-0757	1	Ring-Snap	30	107-0854	1	Gear Housing Seal Kit
13	107-0813	1	Spacer	30:1	107-0817	2	O Ring-Plug
14	107-0814	1	Seal	30:2		2	O-Ring ●
15	104-3298	1	Packing	30:3	104-3298	1	Packing
16	107-0861	1	Plug-NPTF	30:4	107-0814	1	Seal
17	107-0817	6	O Ring-Plug	30:5	107-0816	1	Gasket-Housing, Gear
18	107-0857	6	Plug				

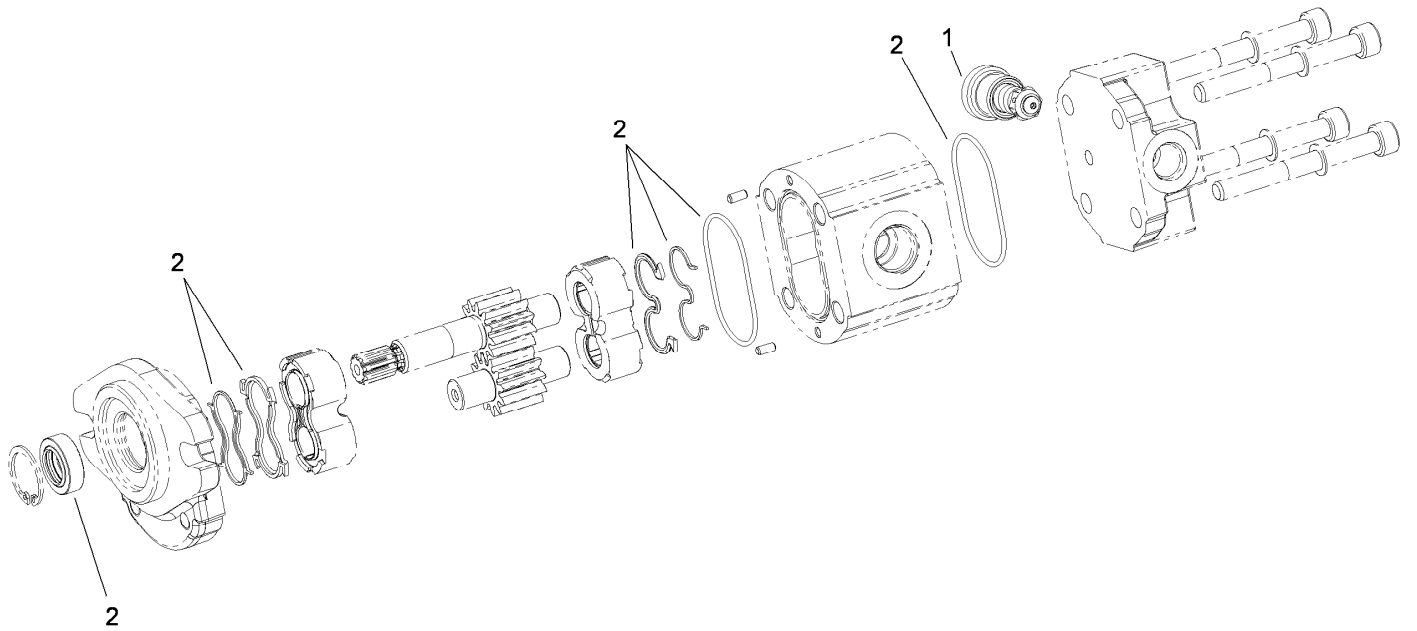
● Not serviced separately



Driveshaft Assembly No. 110-3575

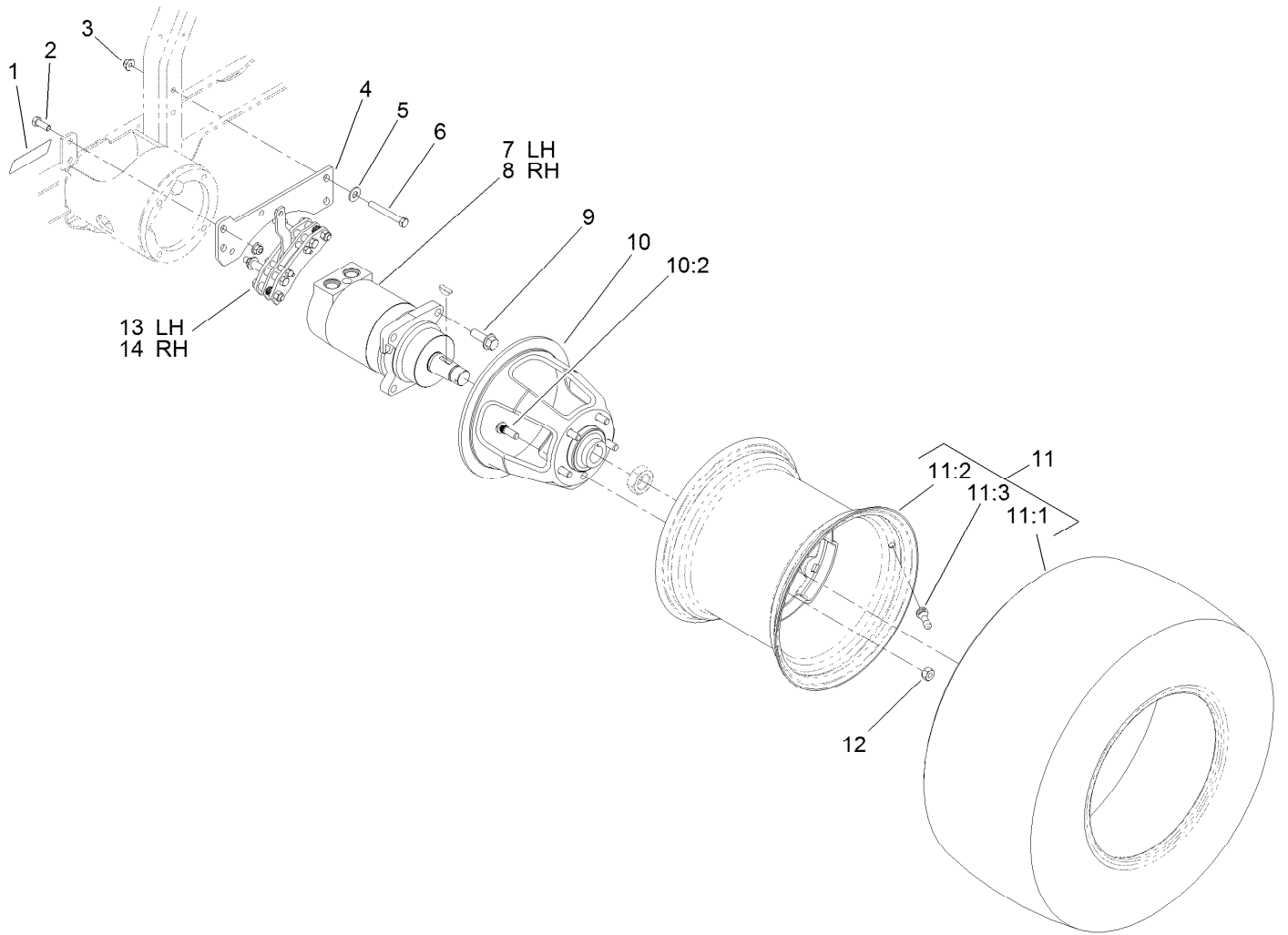
<i>Ref.</i>	<i>Part Number</i>	<i>Qty.</i>	<i>Description</i>
1	112-1687	2	Cross And Bearing Kit
1:1	62-3820	1	Fitting-Grease
3	54-9040	1	Yoke-End
4	54-9090	1	Yoke-End
5		1	Tube-Yoke, Slip ●
5:1	302-22	1	Fitting-Grease

● Not serviced separately



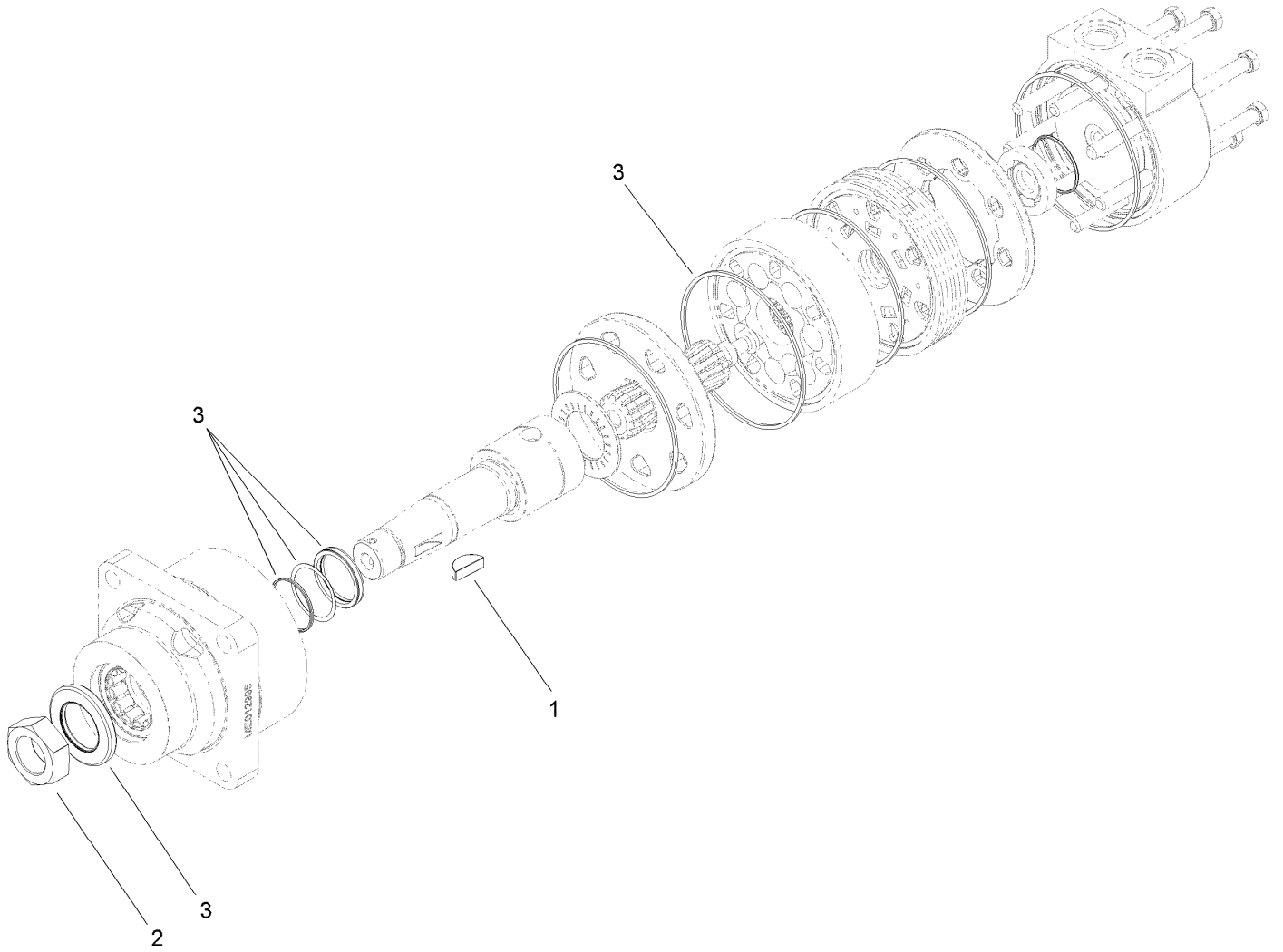
Hydraulic Gear Pump Assembly No. 112-9542

<i>Ref.</i>	<i>Part Number</i>	<i>Qty.</i>	<i>Description</i>
1	112-0198	1	Valve
2	112-0199	1	Seal Kit



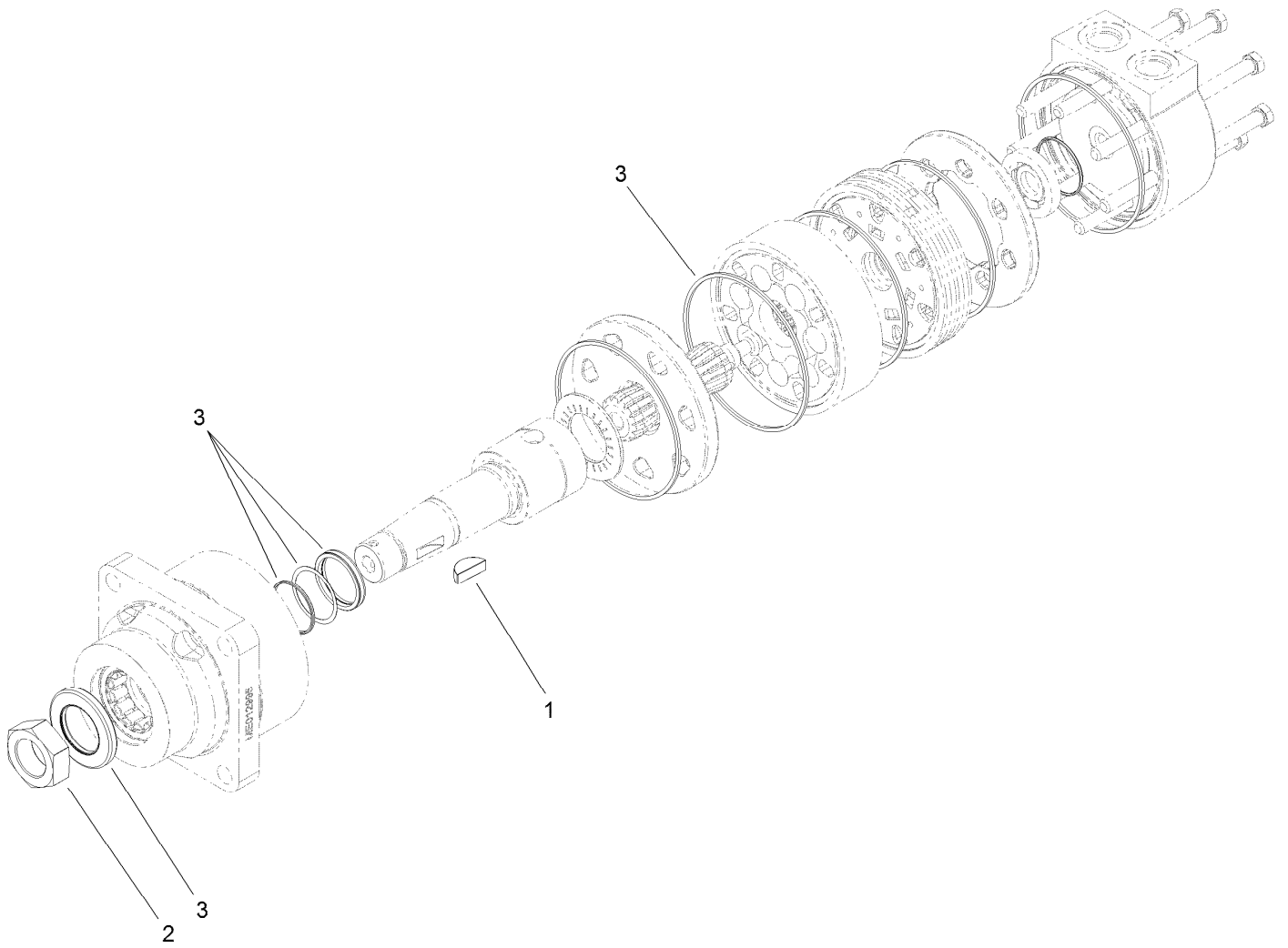
Rear Drive Assembly

<i>Ref.</i>	<i>Part Number</i>	<i>Qty.</i>	<i>Description</i>	<i>Ref.</i>	<i>Part Number</i>	<i>Qty.</i>	<i>Description</i>
1	106-9206	2	Decal-Torque, Wheel	10	110-5535	2	Wheel Hub ASM
2	323-6	4	Screw-HH	10:2	87-8730	5	Stud
3	104-8301	8	Nut-HF, NI	11	106-7864	2	Tire And Wheel ASM
4	112-9550-0P	2	Bracket-Brake	11:1	106-7868	1	Tire
5	3256-4	4	Washer-Flat	11:2	87-6750	1	Wheel
6	323-14	4	Screw-HH	11:3	232-27	1	Stem-Valve
7	108-5155	1	LH HYD Motor ASM	12	23-7270	10	Nut-Lug
8	108-5230	1	RH HYD Motor ASM	13	120-0013	1	LH Brake Caliper ASM
9	100-6116	8	Screw-HHF	14	120-0014	1	RH Brake Caliper ASM



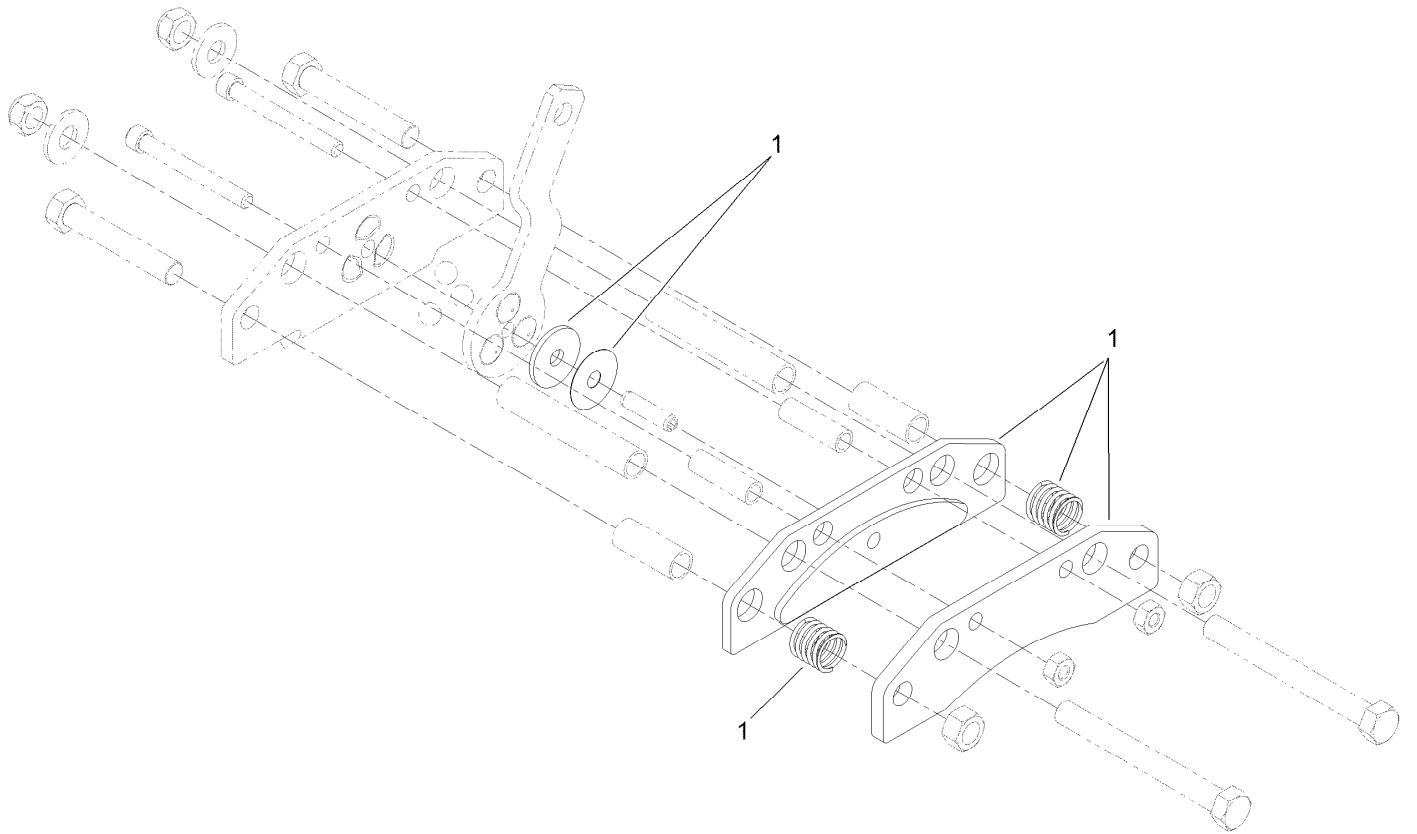
Hydraulic Motor Assembly No. 108-5155

<i>Ref.</i>	<i>Part Number</i>	<i>Qty.</i>	<i>Description</i>
1	3257-42	1	Key-Woodruff
2	107-9319	1	Nut-Hex
3	112-8405	1	Seal Kit



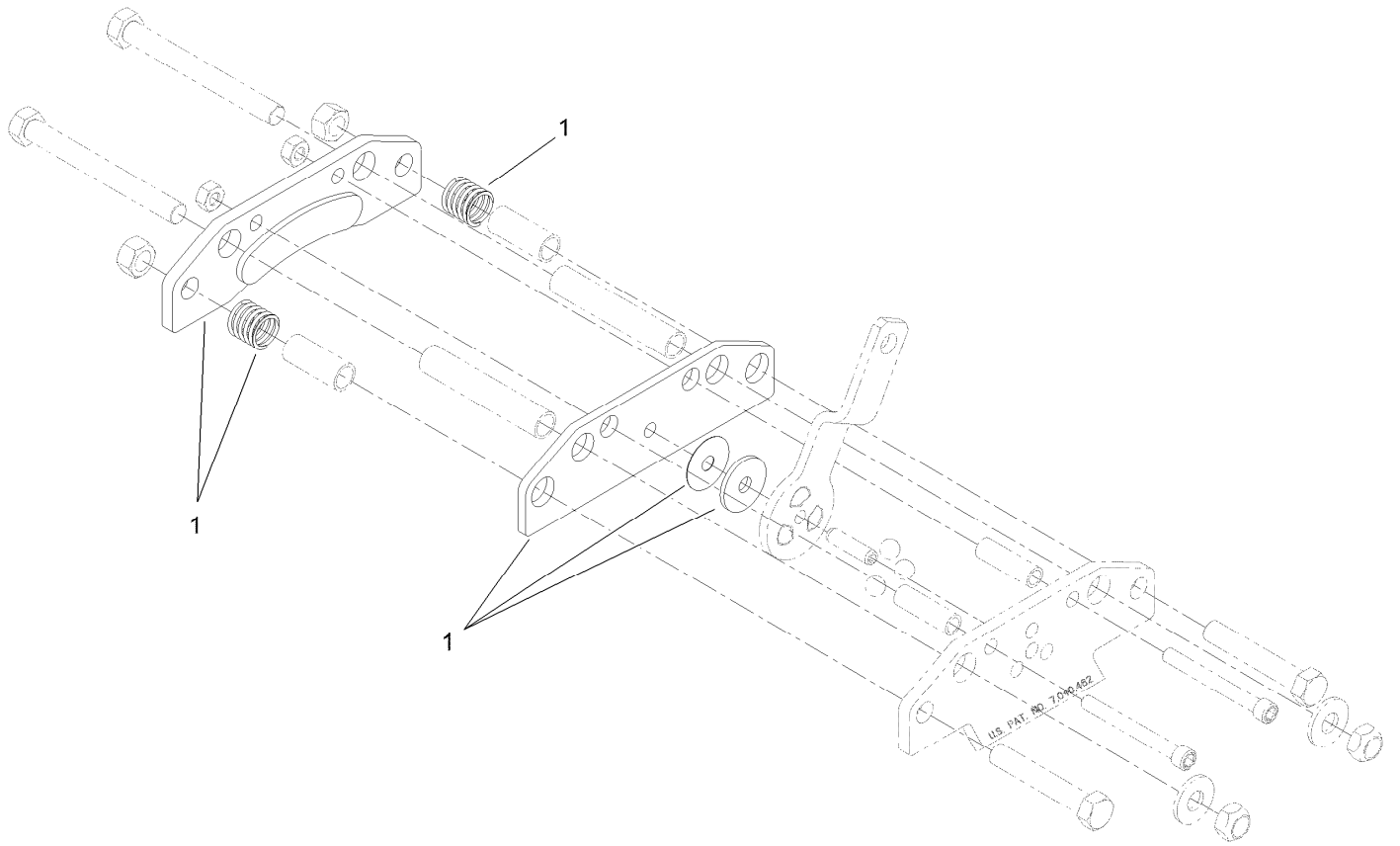
Hydraulic Motor Assembly No. 108-5230

<i>Ref.</i>	<i>Part Number</i>	<i>Qty.</i>	<i>Description</i>
1	3257-42	1	Key-Woodruff
2	107-9319	1	Nut-Hex
3	112-8405	1	Seal Kit



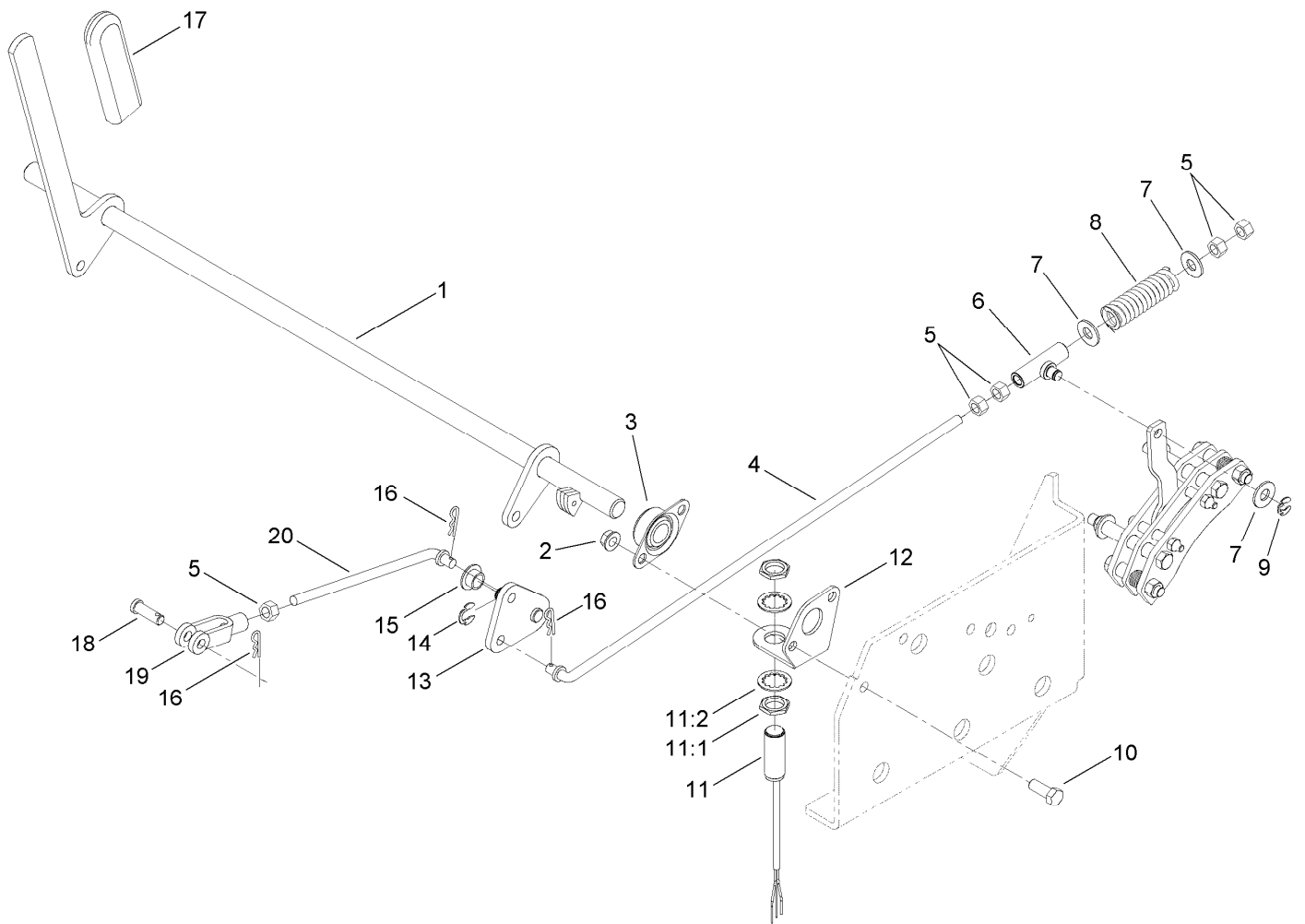
LH Brake Caliper Assembly No. 120-0013

<i>Ref.</i>	<i>Part Number</i>	<i>Qty.</i>	<i>Description</i>
1	120-0015	1	Replacement Brake Pad Service Kit



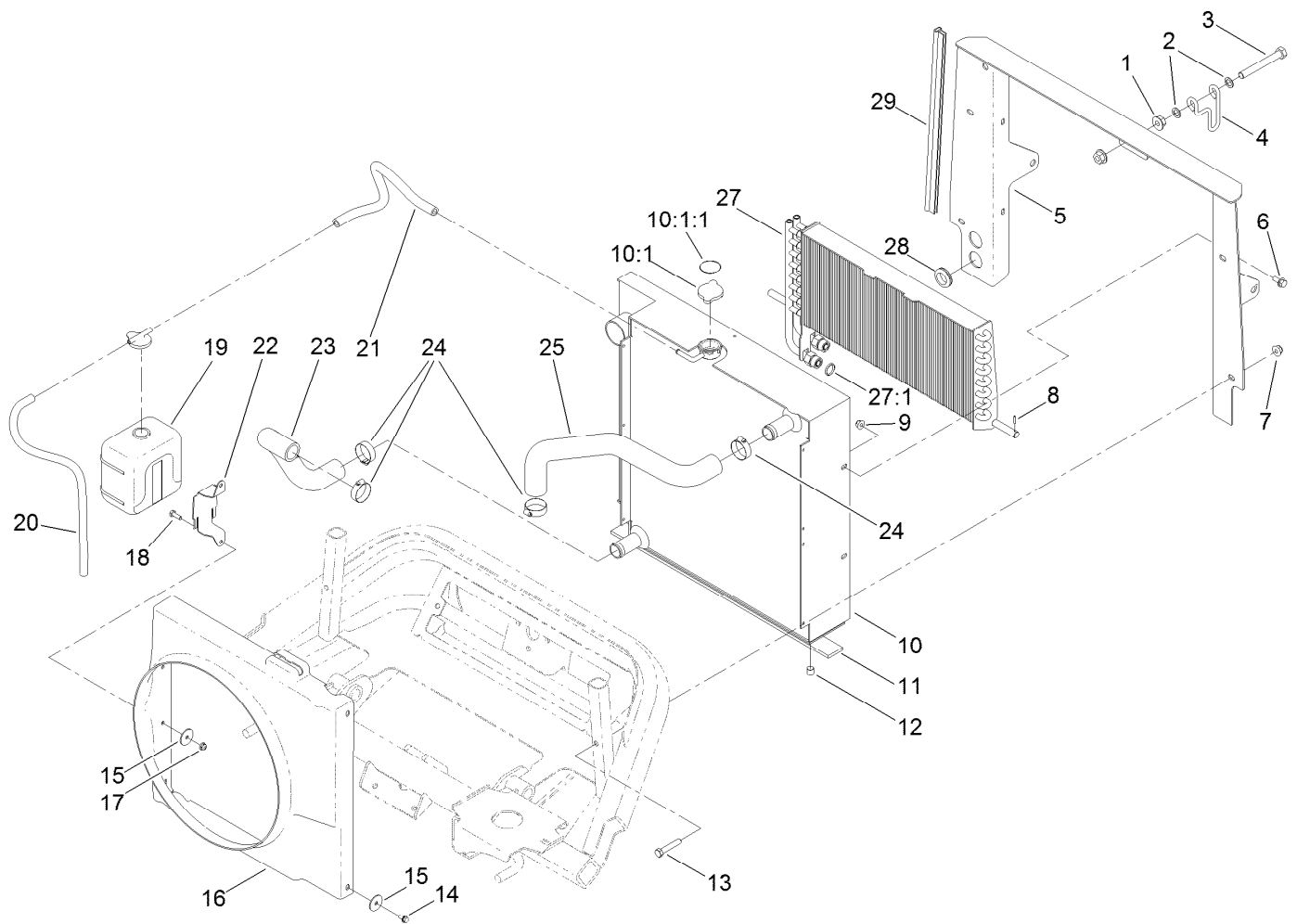
RH Brake Caliper Assembly No. 120-0014

<i>Ref.</i>	<i>Part Number</i>	<i>Qty.</i>	<i>Description</i>
1	120-0015	1	Replacement Brake Pad Service Kit



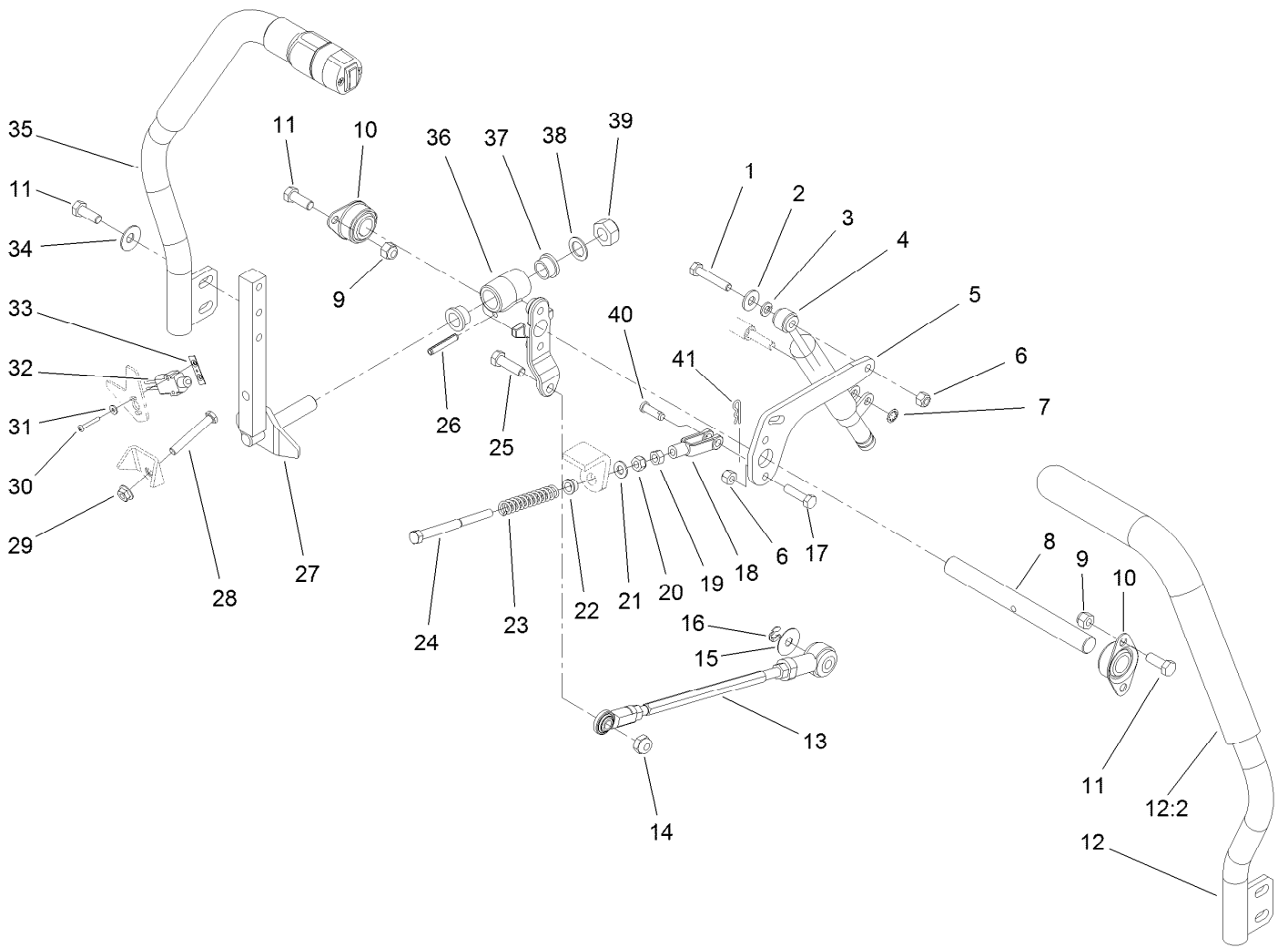
Brake Handle Assembly

Ref.	Part Number	Qty.	Description	Ref.	Part Number	Qty.	Description
1	140-7064	1	Handle-Brake	11:1	117-3207	2	Nut-Hex
2	3290-357	4	Nut-HHF, Whiz	11:2	117-3208	2	Washer-Lock, Internal Tooth
3	1-633102	2	Bearing-Flange, Side	12	117-5572	1	Bracket-Switch
4	120-0009	2	Rod-Brake	13	120-0022	2	Pivot-Brake
5	3219-3	10	Nut-Hex	14	32151-68	2	Ring-Retaining
6	132-8128	2	Swivel ASM	15	1-513140	4	Bearing-Control
7	3256-4	6	Washer-Flat	16	3290-307	6	Pin-Cotter
8	109-2230	2	Spring-Compression	17	1-633268	1	Grip-Lever
9	32151-47	2	Ring-Retaining	18	1-808285	2	Pin-Clevis
10	323-6	4	Screw-HH	19	1-633131	2	Yoke-Linkage, Brake
11	115-5300	1	Proximity Switch ASM	20	120-0023	2	Rod-Brake



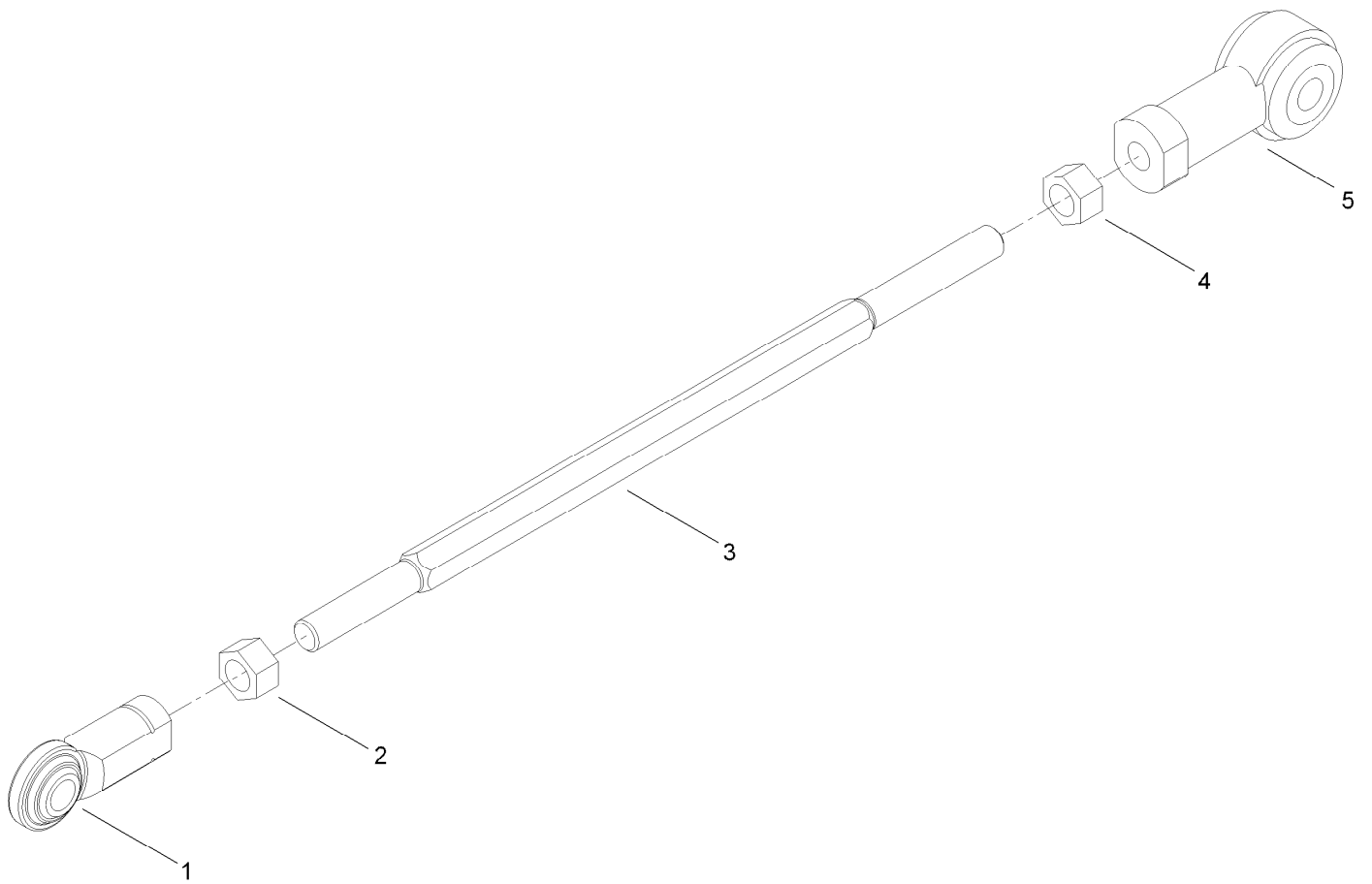
Radiator and Oil Cooler Assembly

Ref.	Part Number	Qty.	Description	Ref.	Part Number	Qty.	Description
1	32128-49	2	Nut-HHF	15	3256-55	6	Washer-Flat
2	41-8440	2	Washer	16	117-9232	1	Shroud-Fan
3	325-17	1	Screw-HH	17	104-7201	2	Nut-HF
4	104-5429	1	Clamp-Form, Wire	18	321-4	2	Screw-HH
5	110-8277-03	1	Frame-Radiator	19	104-9318	1	Bottle-Overflow
6	3234-5	4	Screw-HHF	20	110-6187	1	Hose-Fuel
7	104-8301	4	Nut-HF, NI	21	109-0274	1	Hose-Fuel
8	32121-107	1	Pin-Roll	22	108-9930-0P	1	Bracket-Bottle
9	104-8300	4	Nut-HF, NI	23	105-7283	1	Hose-Radiator, Lower
10	117-5135	1	Radiator	24	2412-34	4	Clamp-Hose
10:1	115-7766	1	Cap-Radiator	25	105-7282	1	Hose-Radiator, Upper
10:1:1	106-6755	1	Decal-Cap, Radiator	27	112-1684	1	Cooler-Oil
11	108-9935	1	Strip-Foam	27:1	237-30	2	O-Ring
12	99-8551	1	Plug-Pipe	28	240-5	2	Grommet
13	323-10	4	Screw-HH	29	107-2269	2	Seal-Bulb
14	32104-116	4	Screw-HWHTF				



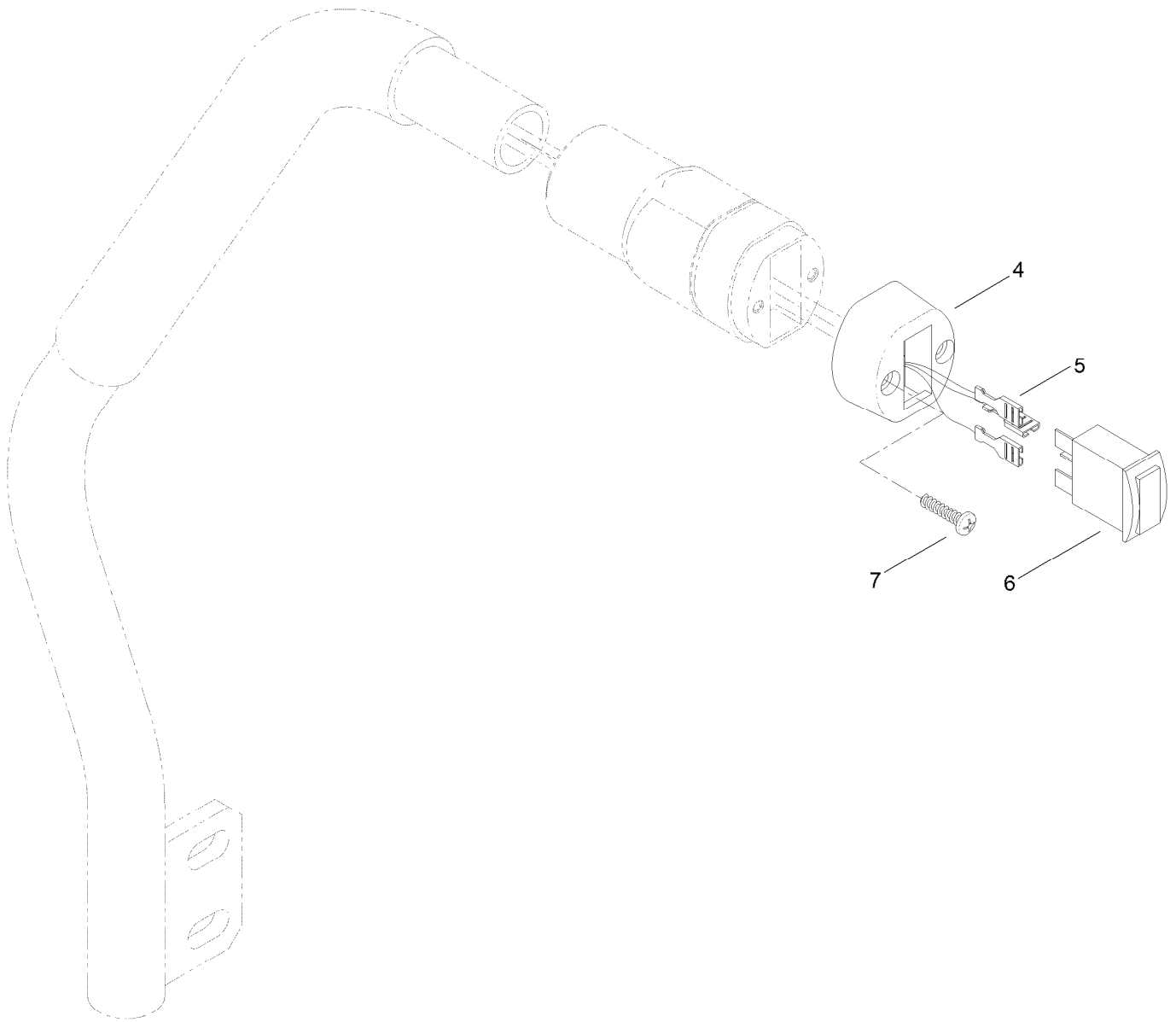
Traction Control Assembly

<i>Ref.</i>	<i>Part Number</i>	<i>Qty.</i>	<i>Description</i>	<i>Ref.</i>	<i>Part Number</i>	<i>Qty.</i>	<i>Description</i>
1	322-9	2	Screw-HH	21	3256-23	2	Washer-Plain
2	3256-3	2	Washer-Flat	22	1-603735	2	Bushing-Flanged
3	3253-4	4	Washer-Lock	23	1-603807	2	Spring-Return, Neutral
4	138-8207	2	Damper	24	1-603737	2	Bolt-Return, Neutral
5	108-9829-0P	2	Lever-Damper	25	323-7	2	Screw-HH
6	3296-29	6	Nut-Lock, NI	26	32121-15	2	Pin-Roll
7	32151-72	2	Ring-Retaining	27	108-9833-03	2	Lever
8	108-9830	2	Shaft-Pivot	28	9114524	2	Bolt-TAP, HH
9	3296-39	8	Nut-Lock, NI	29	32128-26	2	Nut-Flange
10	1-633102	4	Bearing-Flange, Side	30	3250-35	4	Screw-PPH
11	323-6	12	Screw-HH	31	3256-53	4	Washer-Flat
12	125-2688	1	LH Lever ASM	32	99-3410	2	Switch
12:2	125-2704	1	Grip-Foam	33	108-9824	2	Nut-Switch
13	112-5099	2	Link ASM	34	3290-461	4	Washer-Spring
14	3296-44	2	Nut-Lock, NI	35	125-2687	1	RH Lever ASM
15	105-6814	2	Washer-Plain	36	108-9831	2	Hub-Control
16	32151-47	2	Ring-Retaining	37	105-3455	4	Bushing
17	322-6	4	Screw-HH	38	105-3481	4	Washer-Thrust
18	1-303105	2	Yoke-Adjustable	39	32152-6	2	Nut-Lock, Cone
19	3219-2	2	Nut-Hex	40	283-1	2	Pin-Clevis
20	3296-4	2	Nut-Lock	41	3290-307	2	Pin-Cotter



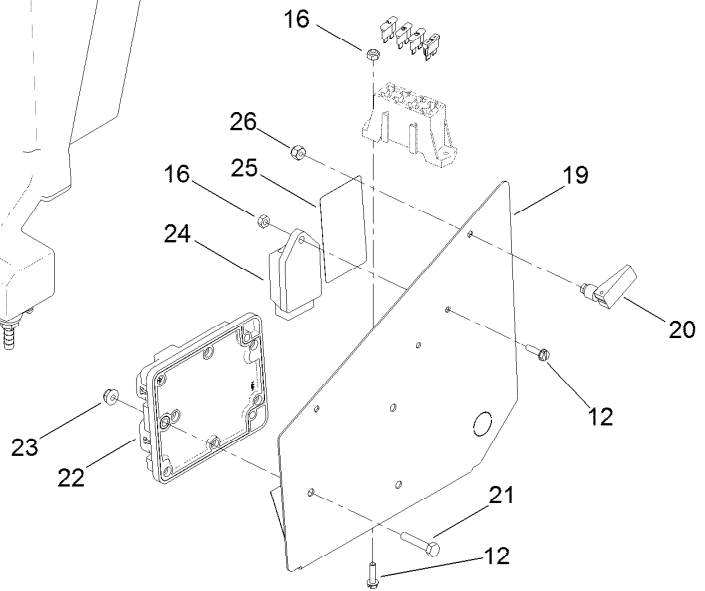
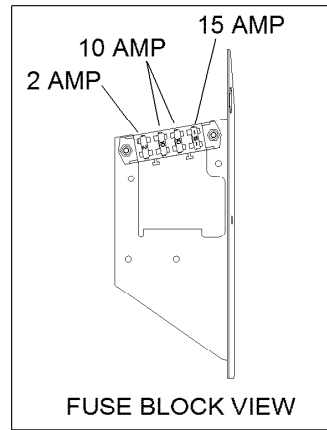
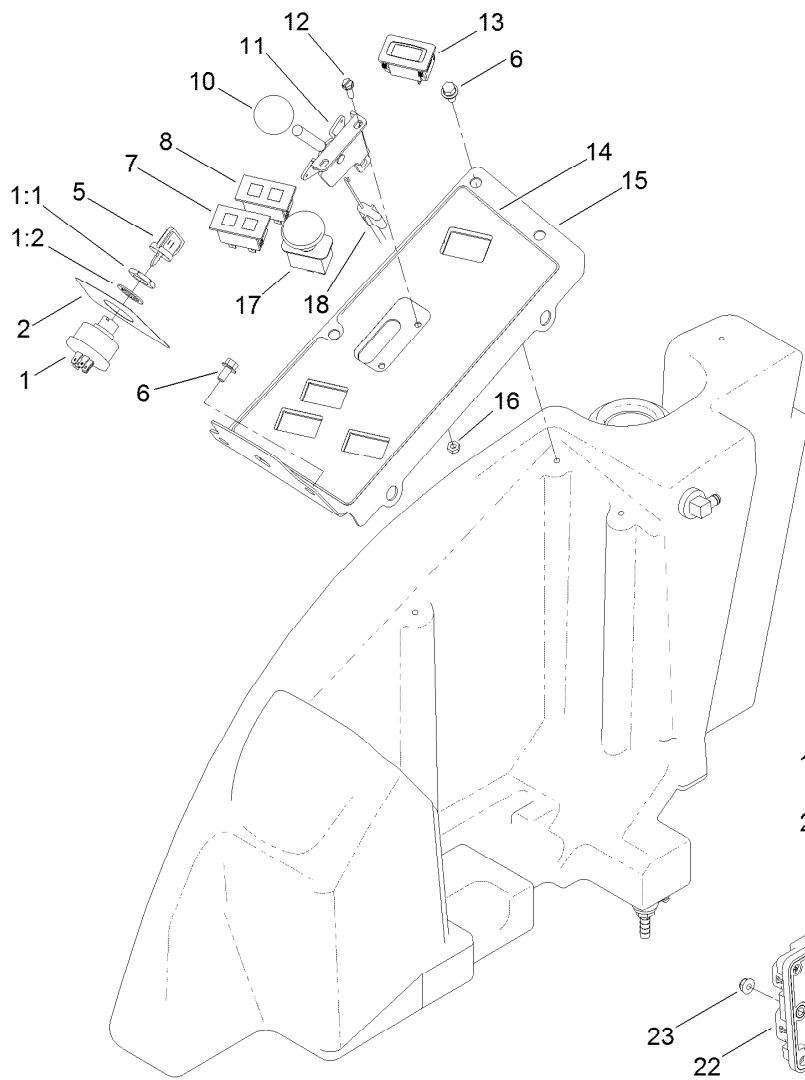
Link Assembly No. 112-5099

<i>Ref.</i>	<i>Part Number</i>	<i>Qty.</i>	<i>Description</i>
1	103-1167	1	Joint-Ball End, LH
2	3219-20	1	Nut-Hex, LH
3	105-7239	1	Rod-Threaded
4	3219-3	1	Nut-Hex
5	105-7199	1	End-Rod, Isolated



RH Lever Assembly No. 125-2687

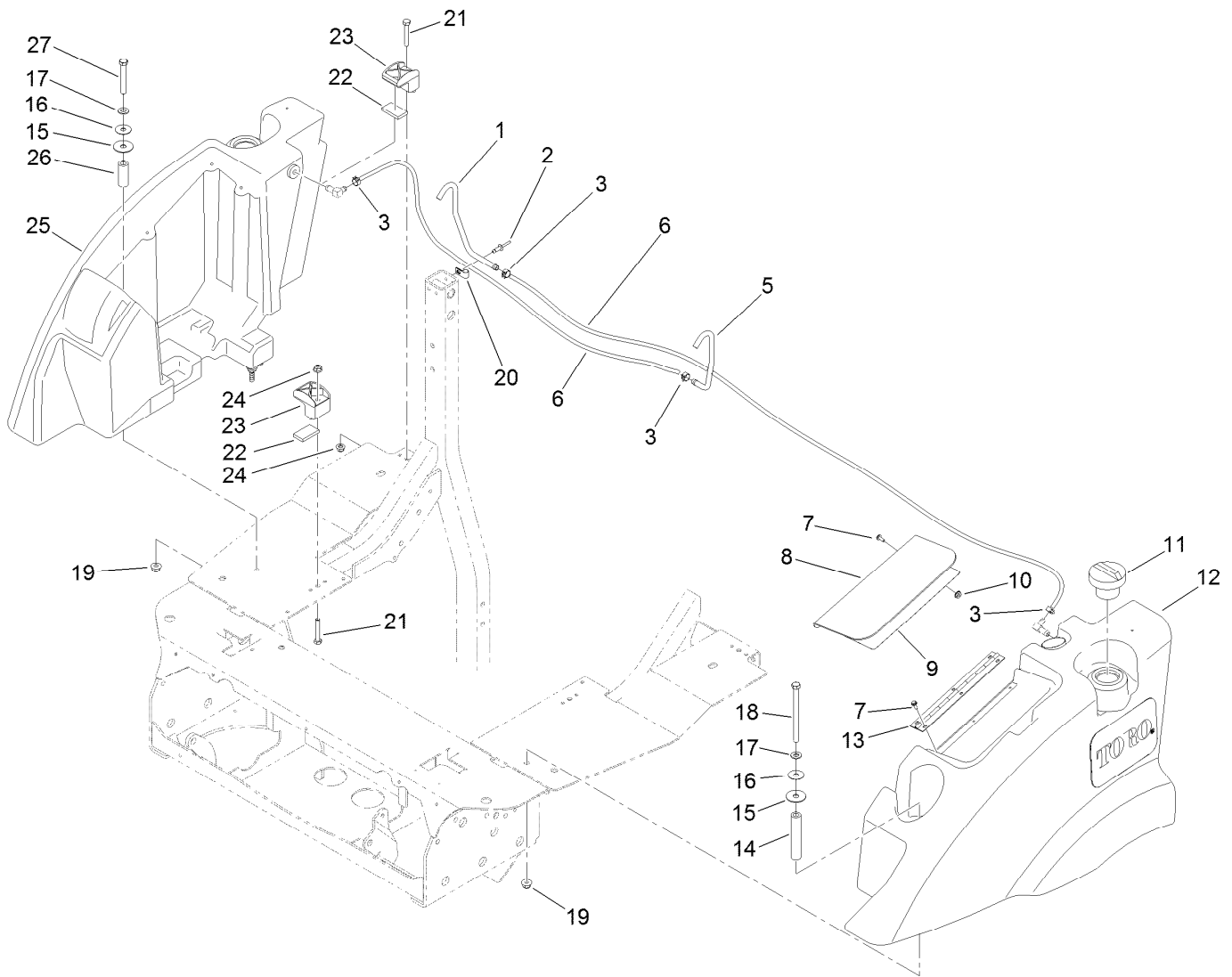
<i>Ref.</i>	<i>Part Number</i>	<i>Qty.</i>	<i>Description</i>
4	121-3399	1	Cap-Switch
5	119-4382	1	Harness-Control Handle
6	125-2702	1	Switch, Spst (On)-Off-On
7	94-4496	2	Screw-PPH



Control Panel Assembly

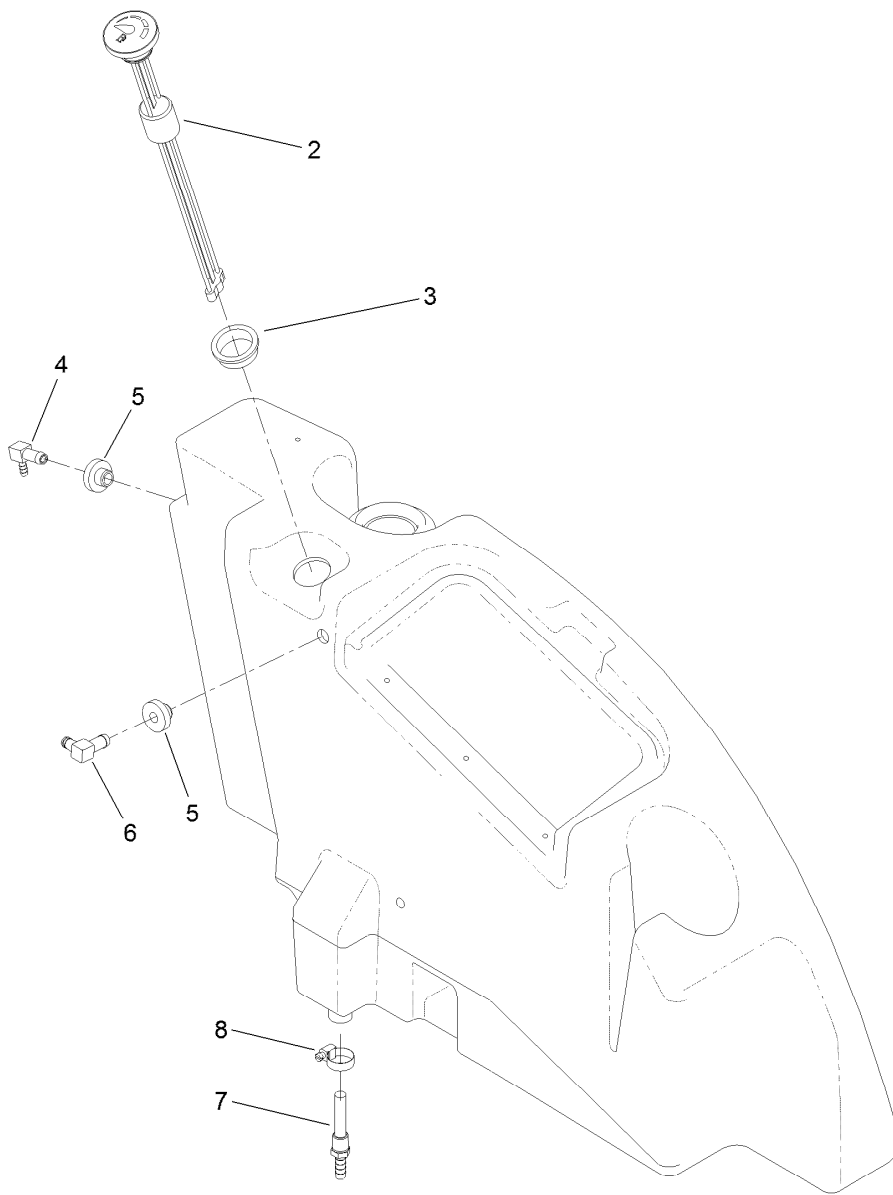
<i>Ref.</i>	<i>Part Number</i>	<i>Qty.</i>	<i>Description</i>
1	104-2541	1	Ignition Switch ASM
1:1	218-461	1	Nut-HH
1:2	3254-5	1	Washer-Lock
2	110-8254	1	Decal-Start, Control Panel
5	63-8360	2	Key-Ignition
6	3234-13	5	Screw-HHF
7	100-8071	1	Lamp-Warning
8	100-8070	1	Lamp-Warning
10	233-42	1	Knob
11	110-5547	1	Lever-Control
12	32105-13	5	Screw-HWH
13	120-2244	1	Hourmeter
14	110-8253	1	Decal-Panel, Control

<i>Ref.</i>	<i>Part Number</i>	<i>Qty.</i>	<i>Description</i>
15	138-8230-03	1	Panel-Control
16	3296-2	5	Nut-Lock, NI
17	93-9999	1	Switch-PTO
18	110-5548	1	Cable-Throttle
19	138-8231-03	1	Cover-Panel, Control
20	74-5950	2	Latch-Swell
21	321-13	3	Screw-HH
22	106-9277	1	Module-Control, Standard
23	104-7201	3	Nut-HF
24	107-9097	1	Controller-Glow
25	110-9796	1	Decal-Block, Fuse
26	1-804254	2	Nut-Lock, HH



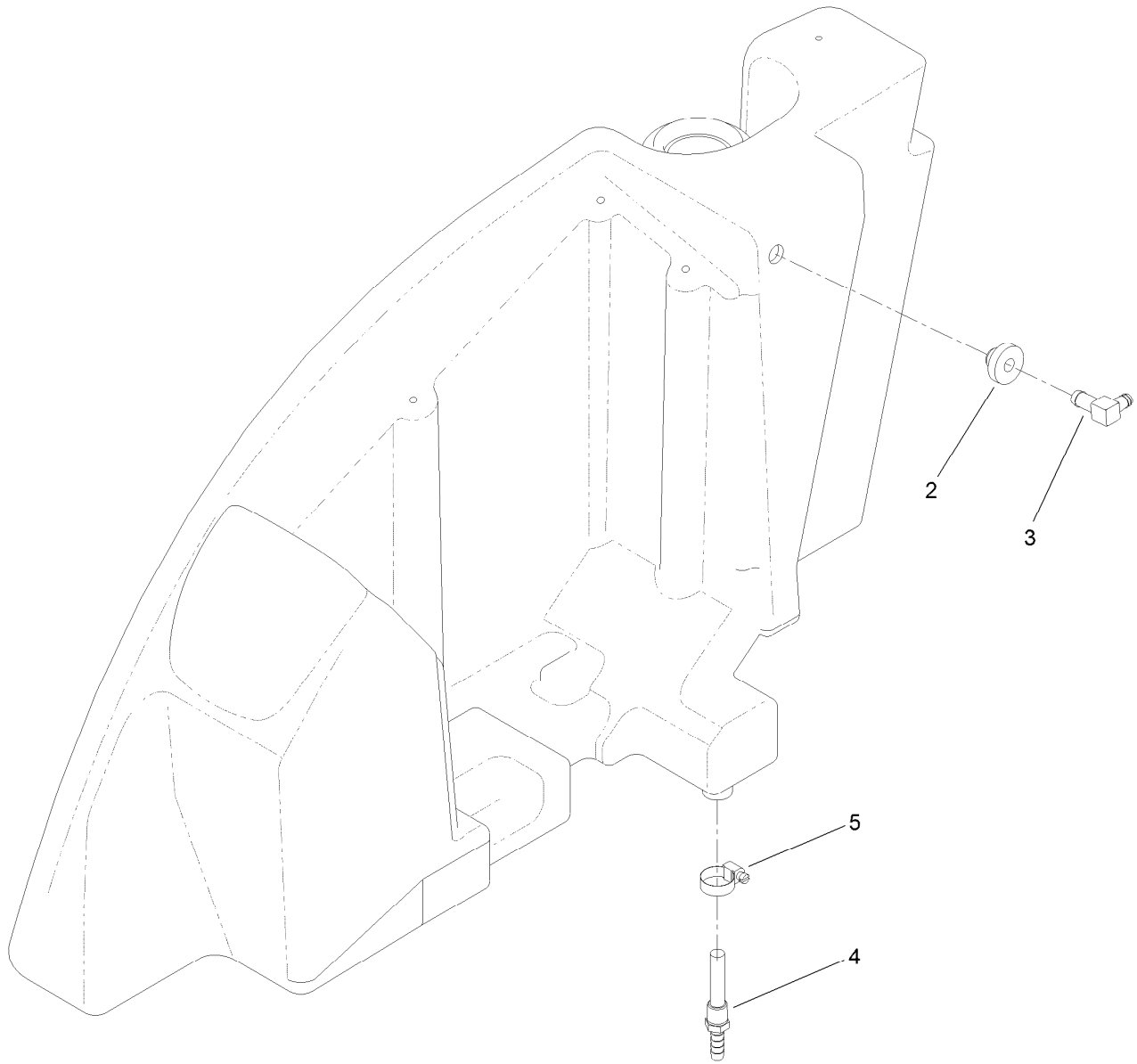
Left-Hand and Right-Hand Fuel Tank Assembly

Ref.	Part Number	Qty.	Description	Ref.	Part Number	Qty.	Description
1	110-8260	1	Tube-Vent, RH	15	95-1905	2	Washer-Rubber
2	3290-412	2	Rivet-Blind	16	105-6814	2	Washer-Plain
3	92-2379	4	Clamp-Hose	17	3256-24	2	Washer-Flat
5	110-8261	1	Tube-Vent, LH	18	323-39	1	Screw-HH
6	109-0309	2	Hose-Fuel	19	104-8301	2	Nut-HF, NI
7	112-6349	6	Screw-HWH	20	2412-89	2	Clamp-R
8	110-5540-03	1	Cover-Toolbox	21	322-10	4	Screw-HH
9	144-7257	1	Decal-Service Instructions	22	112-9561	4	Pad-Foam
10	32149-8	3	Nut-Keps	23	107-4543	4	Clamp
11	115-5305	2	Cap-Fuel	24	104-8300	4	Nut-HF, NI
12	110-8230	1	LH Fuel Tank ASM	25	110-8236	1	RH Fuel Tank ASM
13	108-2024	1	Hinge	26	92-1239	1	Spacer-Support
14	110-5539	1	Spacer	27	323-13	1	Screw-HH



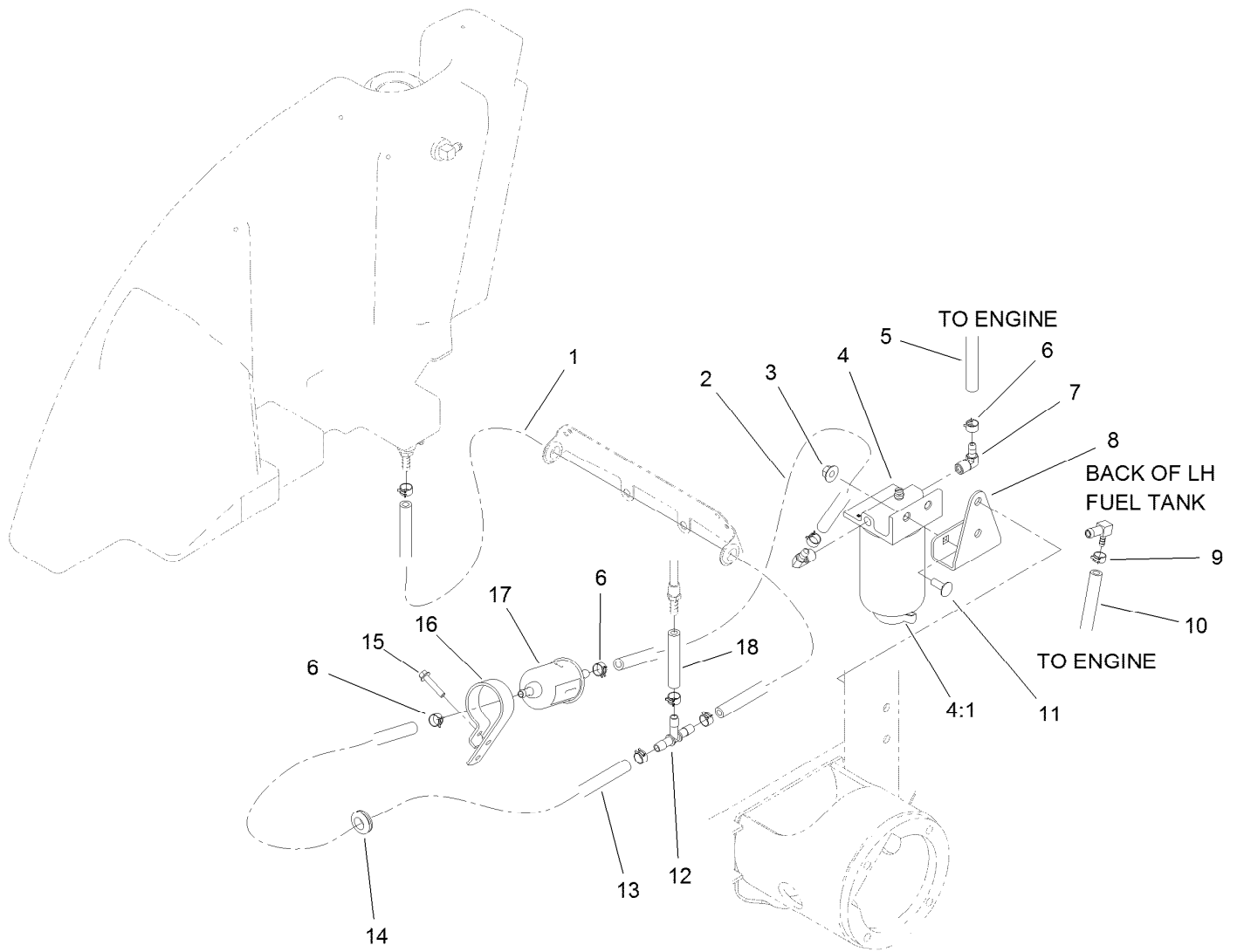
LH Fuel Tank Assembly No. 110-8230

<i>Ref.</i>	<i>Part Number</i>	<i>Qty.</i>	<i>Description</i>
2	110-8262	1	Gauge-Fuel
3	95-8972	1	Grommet
4	104-5228	1	Fitting-Elbow, 90 DEG
5	46-6560	2	Bushing
6	1-643259	1	Fitting-Elbow
7	112-6374	1	Fitting-Strainer
8	2412-36	1	Clamp-Hose



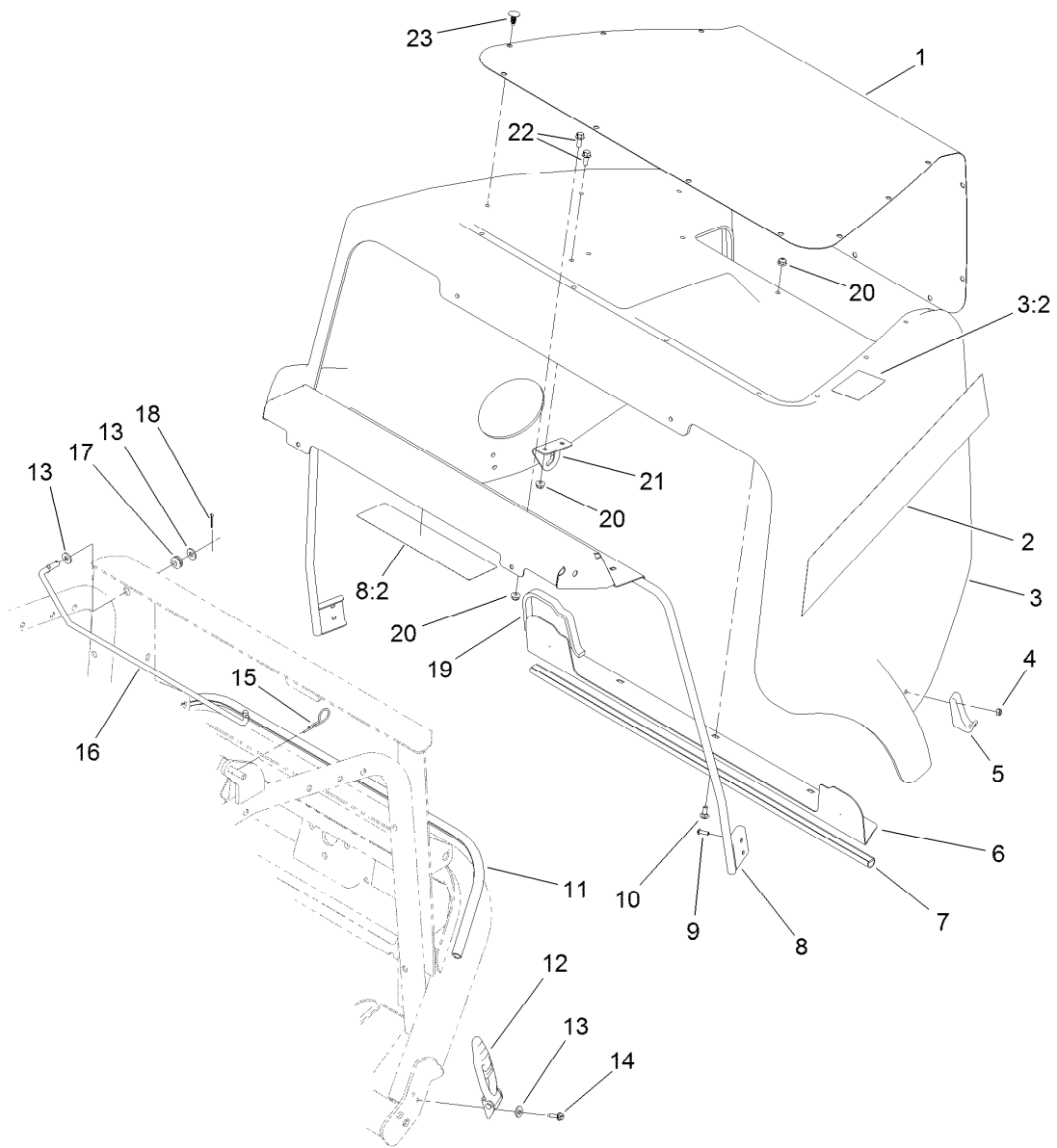
RH Fuel Tank Assembly No. 110-8236

<i>Ref.</i>	<i>Part Number</i>	<i>Qty.</i>	<i>Description</i>
2	46-6560	1	Bushing
3	1-643259	1	Fitting-Elbow
4	112-6374	1	Fitting-Strainer
5	2412-36	1	Clamp-Hose



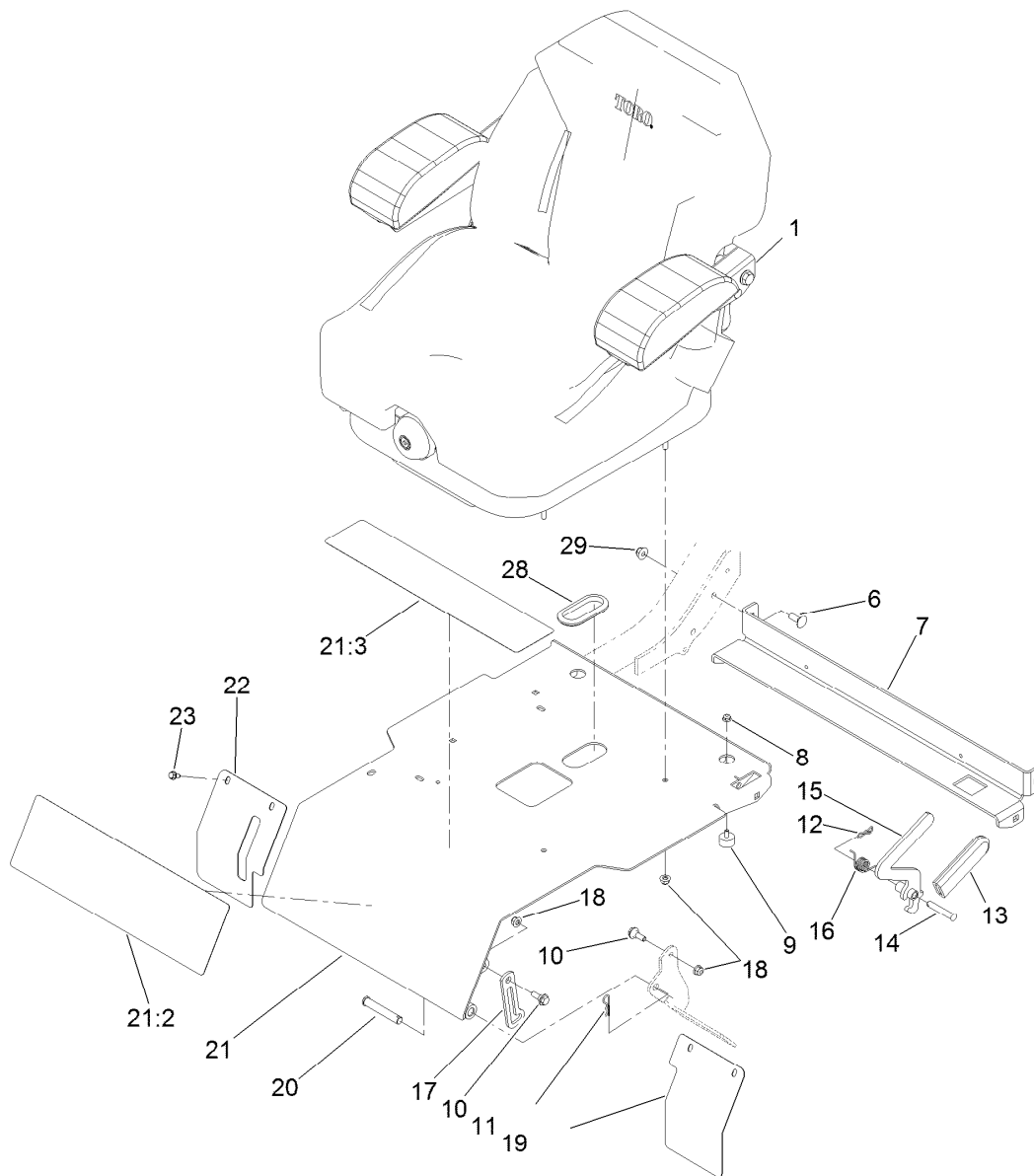
Fuel Filter/Separator Assembly

<i>Ref.</i>	<i>Part Number</i>	<i>Qty.</i>	<i>Description</i>	<i>Ref.</i>	<i>Part Number</i>	<i>Qty.</i>	<i>Description</i>
1	110-6186	1	Hose-Fuel	10	110-8255	1	Hose-Fuel
2	110-8752	1	Hose-Fuel	11	3230-10	2	Bolt-CARR
3	32128-44	2	Nut	12	354-107	1	Fitting-HYD, Tee
4	110-9044	1	Separator-Filter	13	114-4028	1	Hose-Fuel
4:1	110-9049	1	Filter-Spin On, Fuel/Water	14	32180-030	1	Clip-Tie
5	110-4104	1	Hose-Fuel	15	32144-110	1	Screw-HWH
6	92-2379	10	Clamp-Hose	16	110-8817	1	Bracket-Pump, Fuel
7	353-781	2	Fitting-HYD, 90	17	110-8806	1	Pump-Fuel
8	114-4058-0P	1	Mount-Separator	18	112-6388	1	Hose-Fuel
9	2412-80	2	Clamp-Hose				



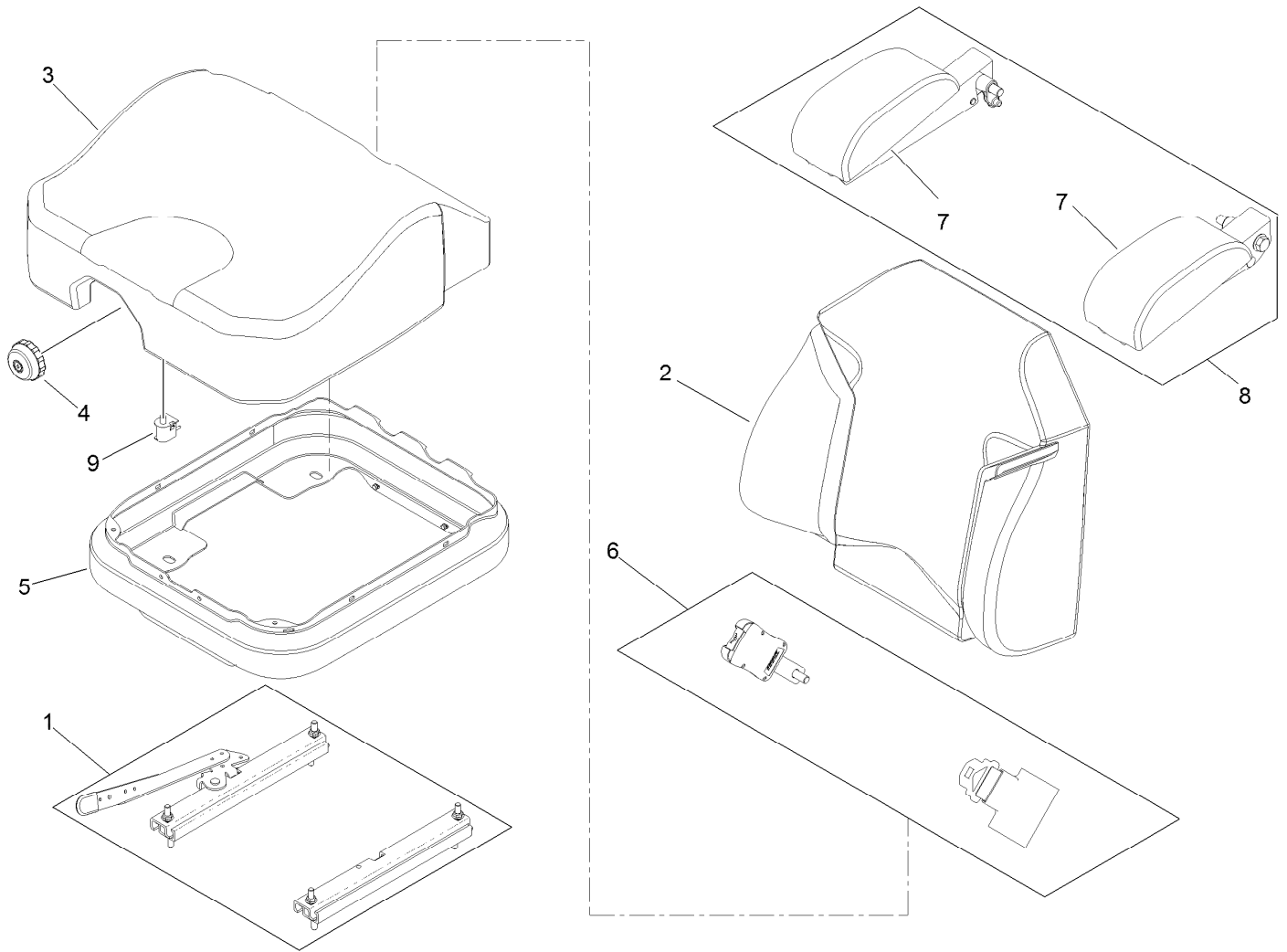
Hood and Screen Assembly

<i>Ref.</i>	<i>Part Number</i>	<i>Qty.</i>	<i>Description</i>	<i>Ref.</i>	<i>Part Number</i>	<i>Qty.</i>	<i>Description</i>
1	115-1446-03	1	Screen-Intake	12	103-2898	2	Latch-Rubber
2	110-5544	2	Decal-Hood	13	3256-2	4	Washer-Flat
3	112-6311	1	Hood ASM	14	32104-95	2	Screw-HWH
3:2	106-6754	1	Decal-Danger	15	3290-255	1	Pin-Cotter, Hair
4	3296-2	4	Nut-Lock, NI	16	110-8291	1	Rod-Prop, Hood
5	103-2897	2	Latch-Catch	17	237-136	1	Grommet
6	110-8285-0P	1	Angle-Seal	18	3272-6	1	Pin-Cotter
7	110-8287	1	Bulb-Seal	19	110-8288	2	Seal-Foam
8	110-9795	1	Support-Hood	20	104-7201	11	Nut-HF
8:2	110-9781	1	Decal-Danger	21	108-9811	1	Support-Rod, Prop
9	3274-39	4	Screw-HSBH	22	3234-33	8	Screw-HHF
10	3229-11	3	Screw-CARR	23	117-2382	17	Plug-Plastic
11	112-1694	1	Seal-Bulb				



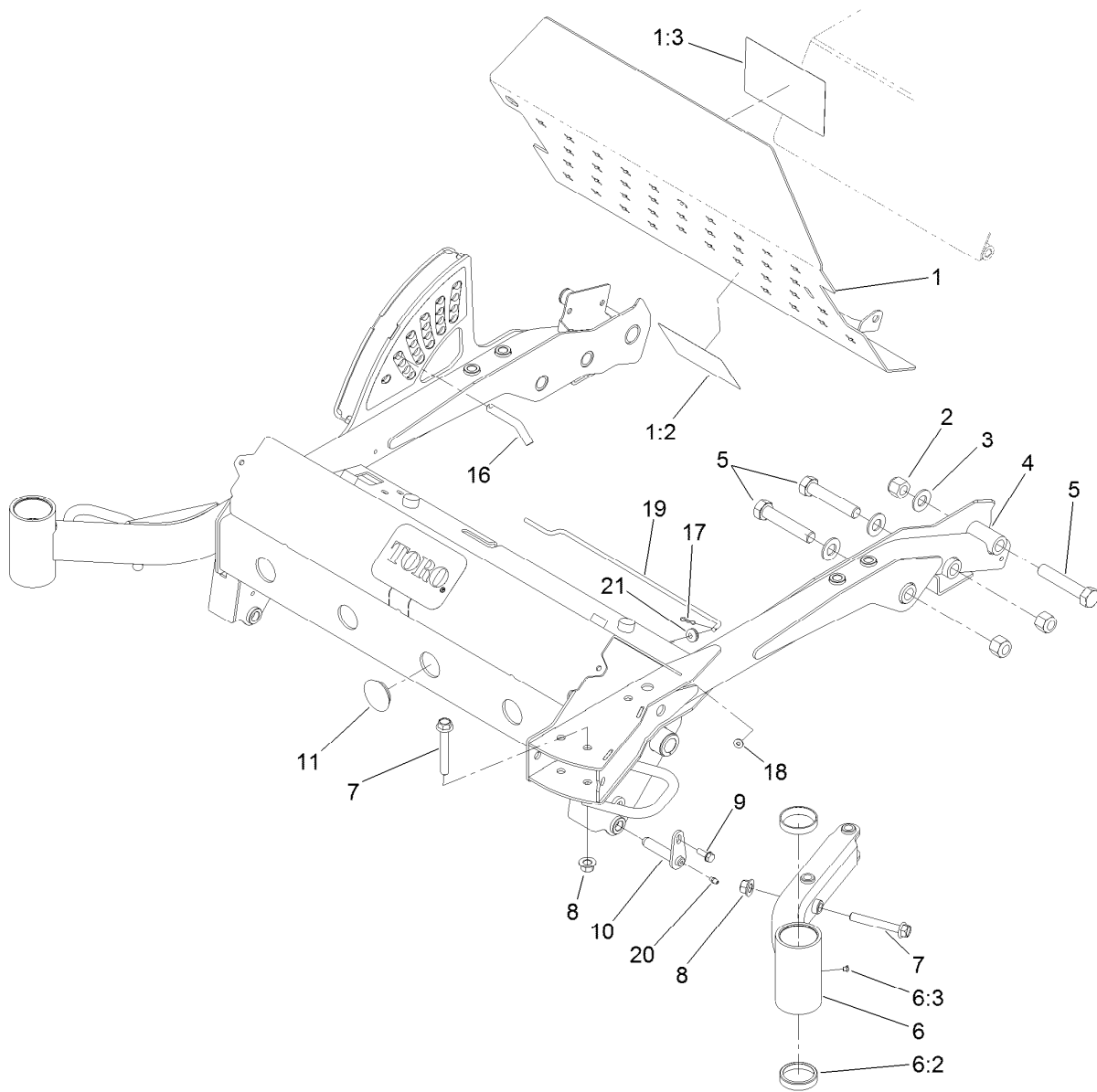
Seat and Seat Plate Assembly

<i>Ref.</i>	<i>Part Number</i>	<i>Qty.</i>	<i>Description</i>	<i>Ref.</i>	<i>Part Number</i>	<i>Qty.</i>	<i>Description</i>
1	125-3107	1	Suspension Seat ASM	17	130-8754	1	Prop-Seat
6	3231-2	4	Bolt-CARR	18	104-8300	6	Nut-HF, NI
7	120-0095-03	1	Support-Seat	19	130-8767-03	1	Cover-LH
8	104-7201	2	Nut-HF	20	283-55	2	Pin-Clevis
9	240-14	2	Bumper-Rubber	21	130-8749	1	Plate-Seat
10	116-2670	2	Screw-Shoulder	21:2	120-9195	1	Decal-Safety
11	3290-467	2	Pin-Hair	21:3	120-9196	1	Decal-Console, Top (CE)
12	119-1415	1	Pin-Cotter, Locking	22	130-8768-03	1	Cover-RH
13	1-633268	1	Grip-Lever	23	32144-10	4	Screw-HWH
14	138-8239	1	Pin-Clevis	28	237-164	1	Grommet
15	140-7053	1	Lever-Seat	29	104-8301	4	Nut-HF, NI
16	121-3386	1	Spring-Torsion				



Seat Assembly No. 125-3107

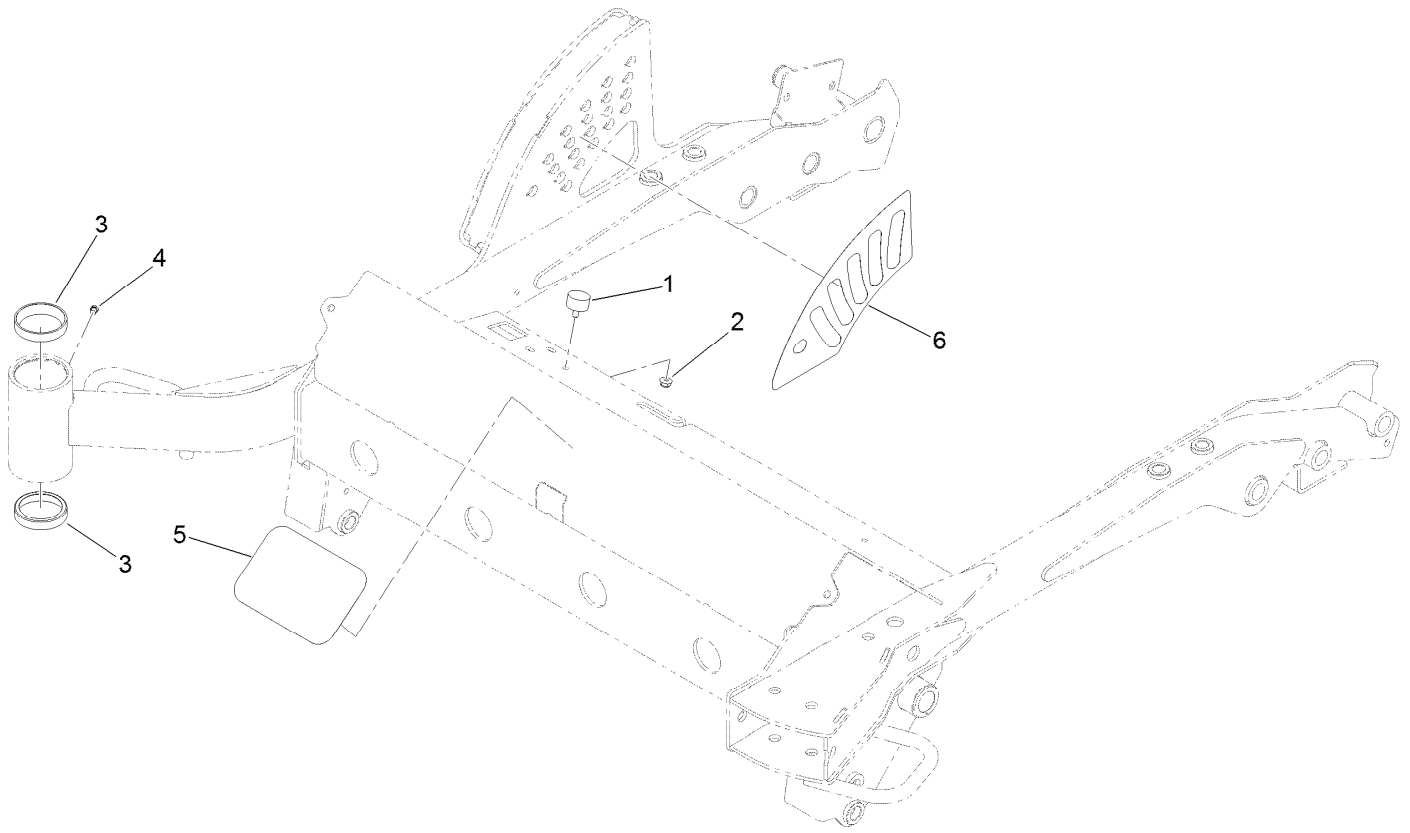
<i>Ref.</i>	<i>Part Number</i>	<i>Qty.</i>	<i>Description</i>
1	116-8910	1	Seat Track Set
2	125-3112	1	Cover-Back
3	125-3111	1	Cover-Cushion
4	116-8911	1	Knob-Adjuster
5	116-5659	1	Cover-Suspension Bellows
6	126-2061	1	Seat Belt Service Kit
7	109-9802	1	Arm Rest Pad Set
8	109-9803	1	Arm Rest Set
9	82-2190	1	Switch-Bail



Floorplate and Carrier Frame Assembly

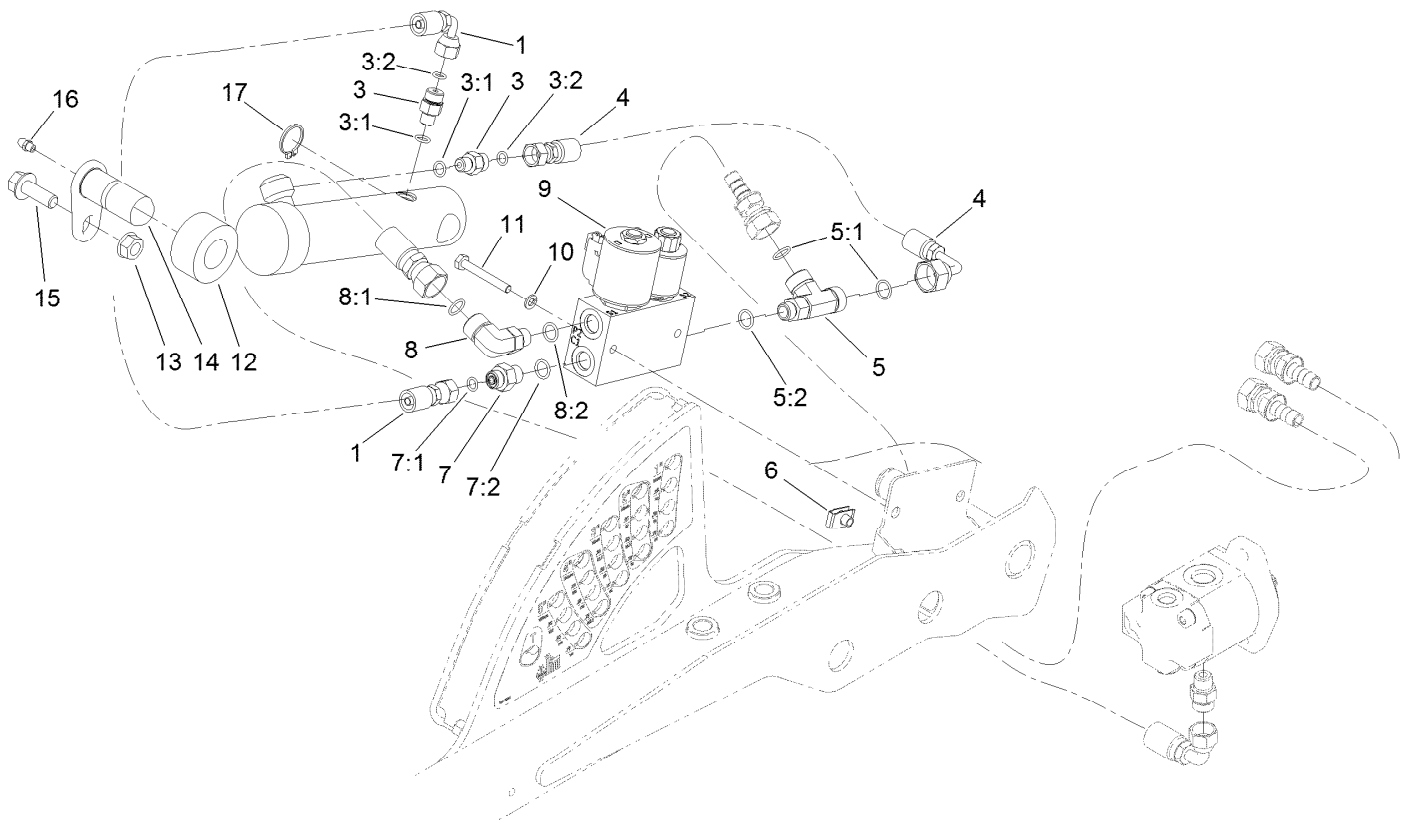
Ref.	Part Number	Qty.	Description
1	120-9165	1	Floorplate ASM
1:2	112-1461	1	Decal-Routing, Belt
1:3	107-1866	1	Decal-Danger, Slope
2	3296-51	5	Nut-Lock, NI
3	92-5836	5	Washer
4	136-4466	1	Carrier Frame ASM
5	328-7	5	Screw-HH
6	121-3340	1	Castor Arm ASM
6:2	254-107	2	Cup-Bearing, Tapered
6:3	1-811010	1	Plug
7	114-8419	3	Screw-HHF

Ref.	Part Number	Qty.	Description
8	99-5107	3	Nut-Lock
9	32144-41	2	Screw-Taptite
10	112-1602	2	Pin-Retainer
11	121-3397	4	Plug-Grommet
16	112-9544	1	Pin-HOC
17	119-1414	1	Pin-Cotter, Locking
18	3256-22	1	Washer-Flat
19	110-9847	1	Rod-Prop
20	302-5	2	Fitting-Grease
21	237-141	1	Grommet-Rubber



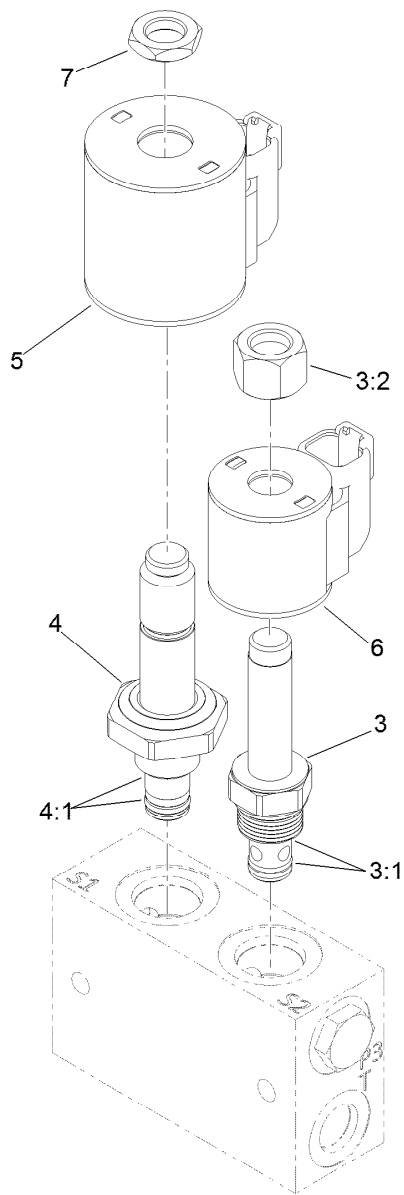
Carrier Frame Assembly No. 136-4466

<i>Ref.</i>	<i>Part Number</i>	<i>Qty.</i>	<i>Description</i>
1	240-14	4	Bumper-Rubber
2	104-7201	4	Nut-HF
3	254-107	2	Cup-Bearing, Tapered
4	1-811010	1	Plug
5	99-4693	1	Decal
6	127-6519	1	Decal-HOC



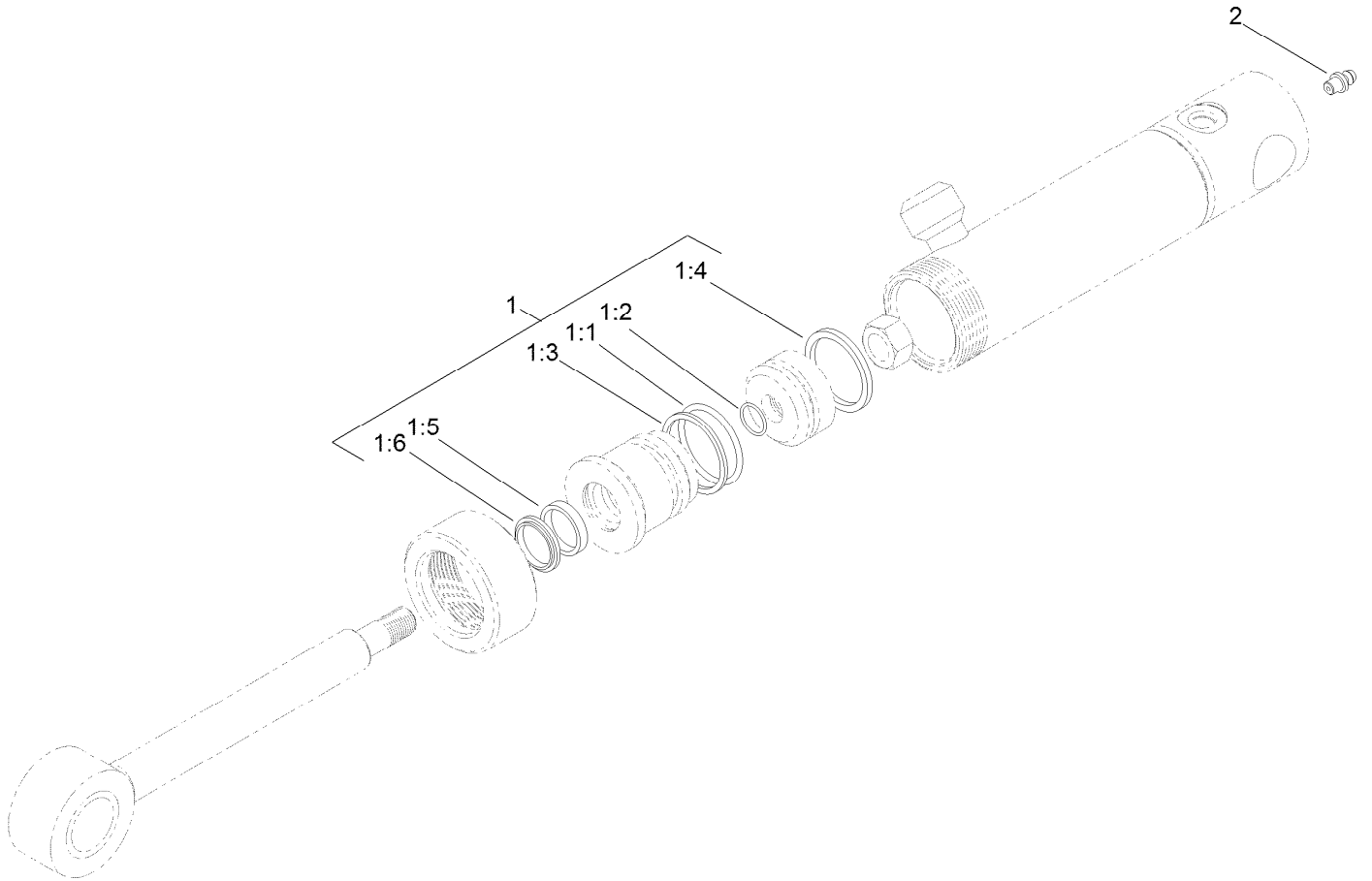
Lift Valve and Cylinder Assembly

<i>Ref.</i>	<i>Part Number</i>	<i>Qty.</i>	<i>Description</i>	<i>Ref.</i>	<i>Part Number</i>	<i>Qty.</i>	<i>Description</i>
1	127-4908	1	Hose-HYD	8	340-99	1	Fitting-HYD, 90 DEG
3	340-92	2	Fitting-Straight	8:1	237-30	1	O-Ring
3:1	237-78	1	O-Ring	8:2	237-42	1	O-Ring
3:2	237-21	1	O-Ring	9	131-1934	1	Deck Lift Valve ASM
4	127-4909	1	Hose-HYD	10	3253-3	2	Washer-Lock
5	110-0064	1	Fitting-Tee	11	321-11	2	Screw-HH
5:1	237-30	2	O-Ring	12	110-9834	1	HYD Cylinder ASM
5:2	237-42	1	O-Ring	13	32128-37	1	Nut-HF
6	107069	2	Clip	14	125-1910	1	Pin-Pivot
7	340-1	1	Fitting-Straight	15	3234-15	1	Screw-HHF
7:1	237-21	1	O-Ring	16	302-5	1	Fitting-Grease
7:2	237-42	1	O-Ring	17	32151-36	1	Ring-Retaining



Valve Assembly No. 131-1934

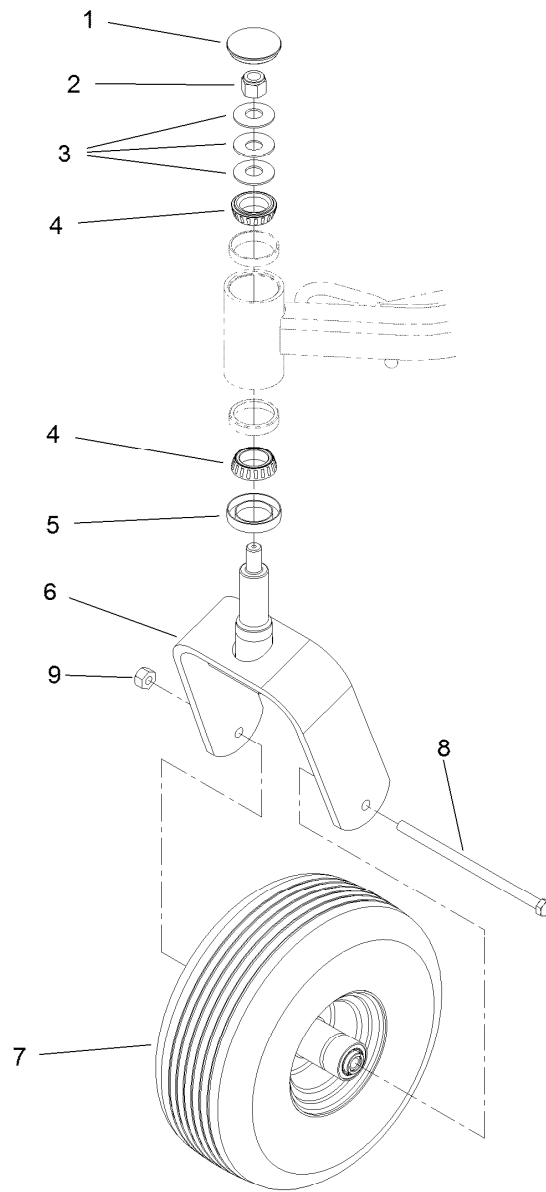
<i>Ref.</i>	<i>Part Number</i>	<i>Qty.</i>	<i>Description</i>
3	107-7517	1	Valve-Solenoid
3:1	105-9156	1	Seal Kit
3:2	107-7812	1	Nut-Solenoid
4	131-1935	1	Valve-Solenoid
4:1	107-7527	1	Seal Kit
5	115-3021	1	Coil-12V
6	119-8036	1	Coil
7	110-2634	1	Nut-Coil



Hydraulic Cylinder Assembly No. 110-9834

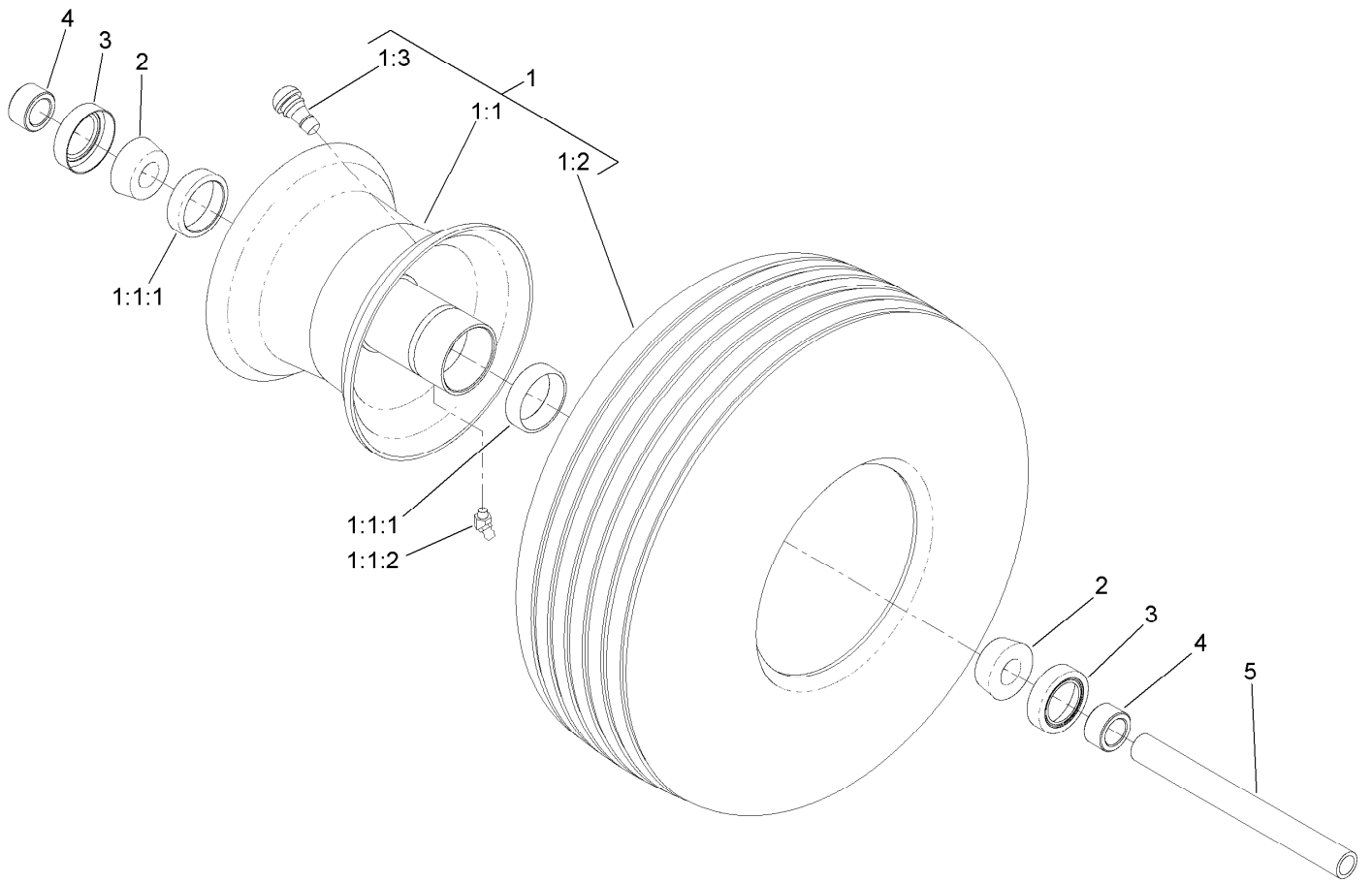
<i>Ref.</i>	<i>Part Number</i>	<i>Qty.</i>	<i>Description</i>
1	112-6353	1	Seal Kit
1:1		1	O-Ring ●
1:2		1	O-Ring ●
1:3		1	Backup ●
1:4		1	Seal-Bp ●
1:5		1	Seal-Rod ●
1:6		1	Seal-Dust ●
2	302-60	1	Fitting-Grease

● Not serviced separately



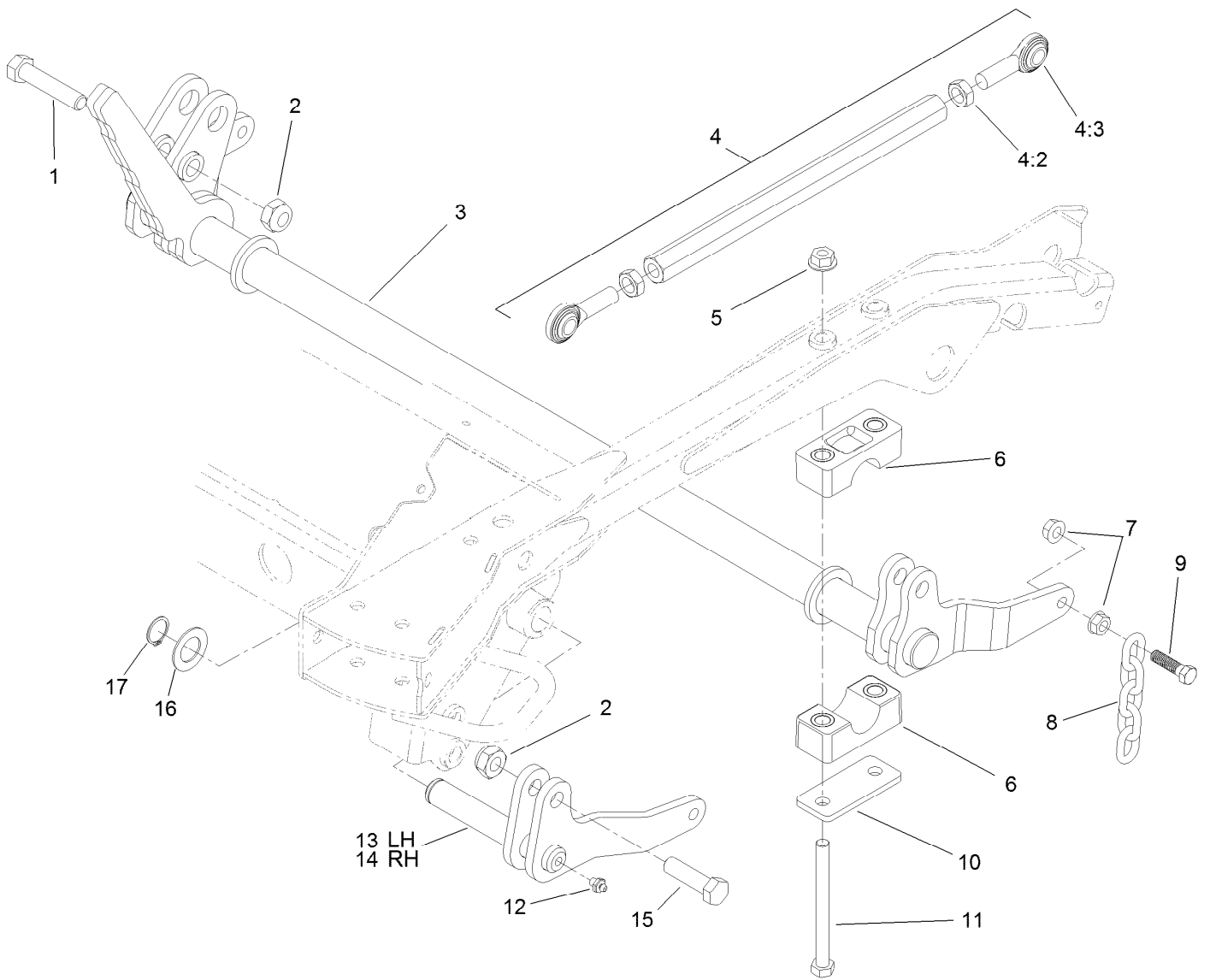
Caster Wheel Assembly

<i>Ref.</i>	<i>Part Number</i>	<i>Qty.</i>	<i>Description</i>
1	108-9950	2	Cap-Grease
2	3296-51	2	Nut-Lock, NI
3	108-9957	6	Washer-Belleville
4	254-106	4	Cone-Bearing, Tapered
5	69-2980	2	Seal
6	108-9946-03	2	Fork-Caster
7	133-4723	2	Caster Wheel ASM
8	325-39	2	Screw-HH
9	3296-25	2	Nut-Lock, NI



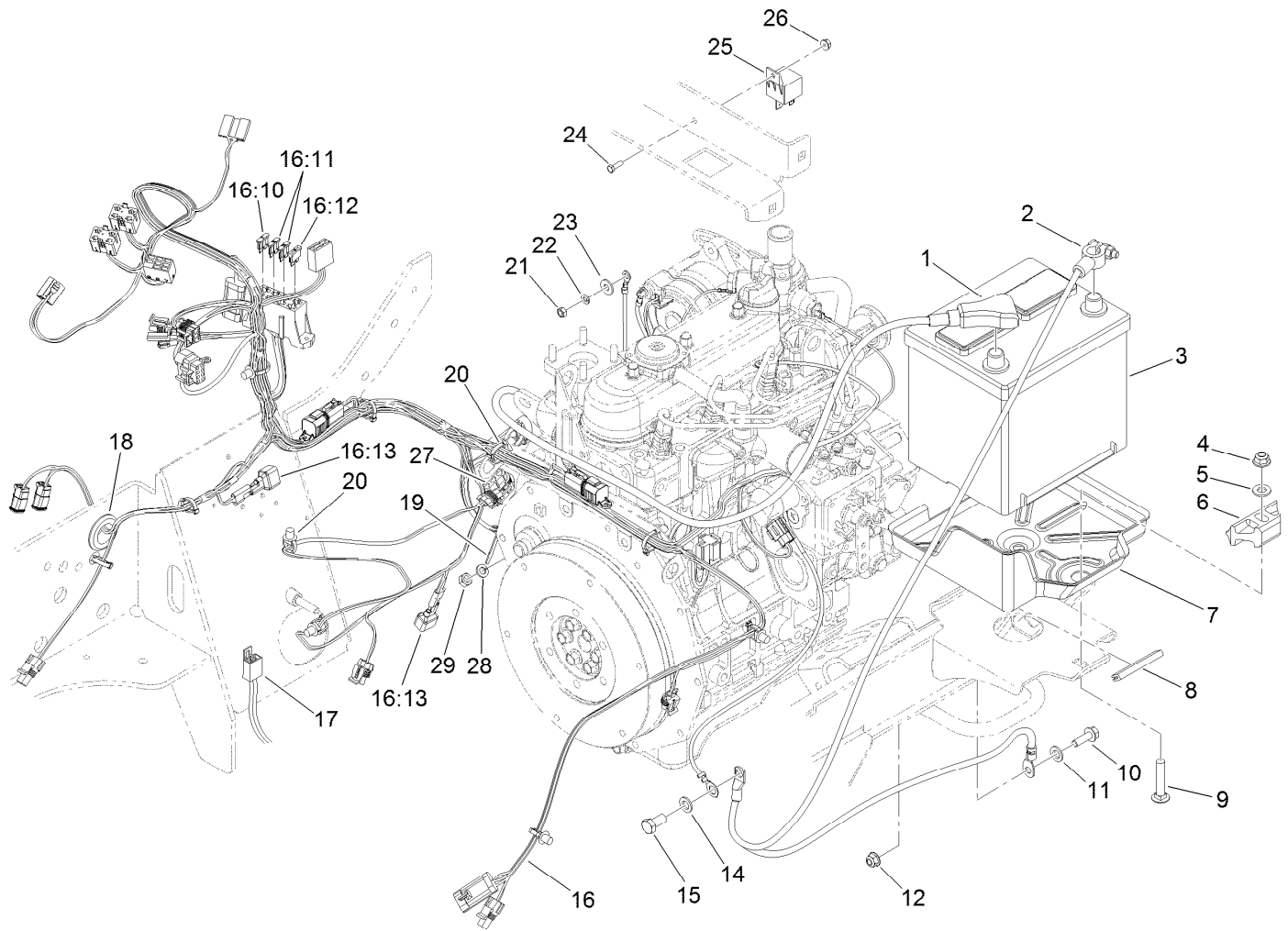
Caster Wheel Assembly No. 133-4723

<i>Ref.</i>	<i>Part Number</i>	<i>Qty.</i>	<i>Description</i>
1	133-4730	1	Tire And Wheel ASM
1:1	133-4725	1	Wheel
1:1:1	1-633584	2	Bearing-Cup
1:1:2	302-11	1	Fitting-Lube, 45 DEG
1:2	133-4724	1	Tire
1:3	5108	1	Valve
2	1-633585	2	Bearing-Cone, Taper
3	1-633580	2	Seal-Bearing
4	1-633581	2	Spacer-Bearing
5	138-1933	1	Spacer, Front Caster



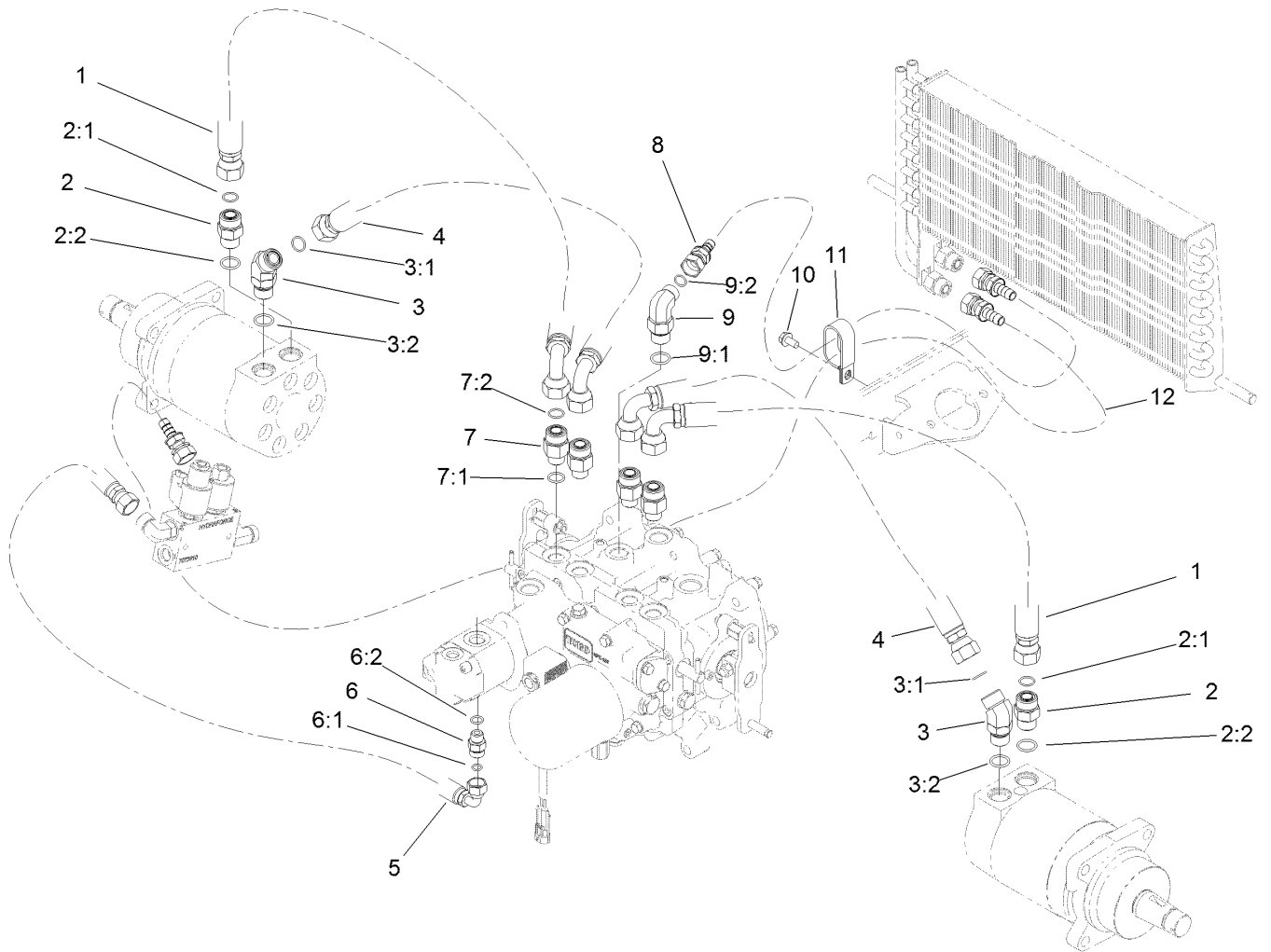
Deck Lift Assembly

<i>Ref.</i>	<i>Part Number</i>	<i>Qty.</i>	<i>Description</i>	<i>Ref.</i>	<i>Part Number</i>	<i>Qty.</i>	<i>Description</i>
1	104-5895	1	Screw-HH	9	103-1898	4	Screw-HH
2	3296-61	4	Nut-Lock	10	117-2903	2	Plate-Bearing
3	140-7073	1	Lift Shaft ASM	11	325-22	4	Screw-HH
4	114-4059	2	Link ASM	12	302-2	2	Fitting-Grease
4:2	3220-6	2	Nut-Jam	13	110-9818-03	1	Lift-LH
4:3	1-633029	2	Balljoint-Spherical	14	110-9820-03	1	Lift-RH
5	32128-49	4	Nut-HHF	15	327-22	3	Screw-HH
6	115-0491	4	Cap-Bearing	16	69-9010	2	Washer
7	32128-37	8	Nut-HF	17	32151-29	2	Ring-Retaining
8	1-633447	4	Chain-Lift, Deck				



Electrical Assembly

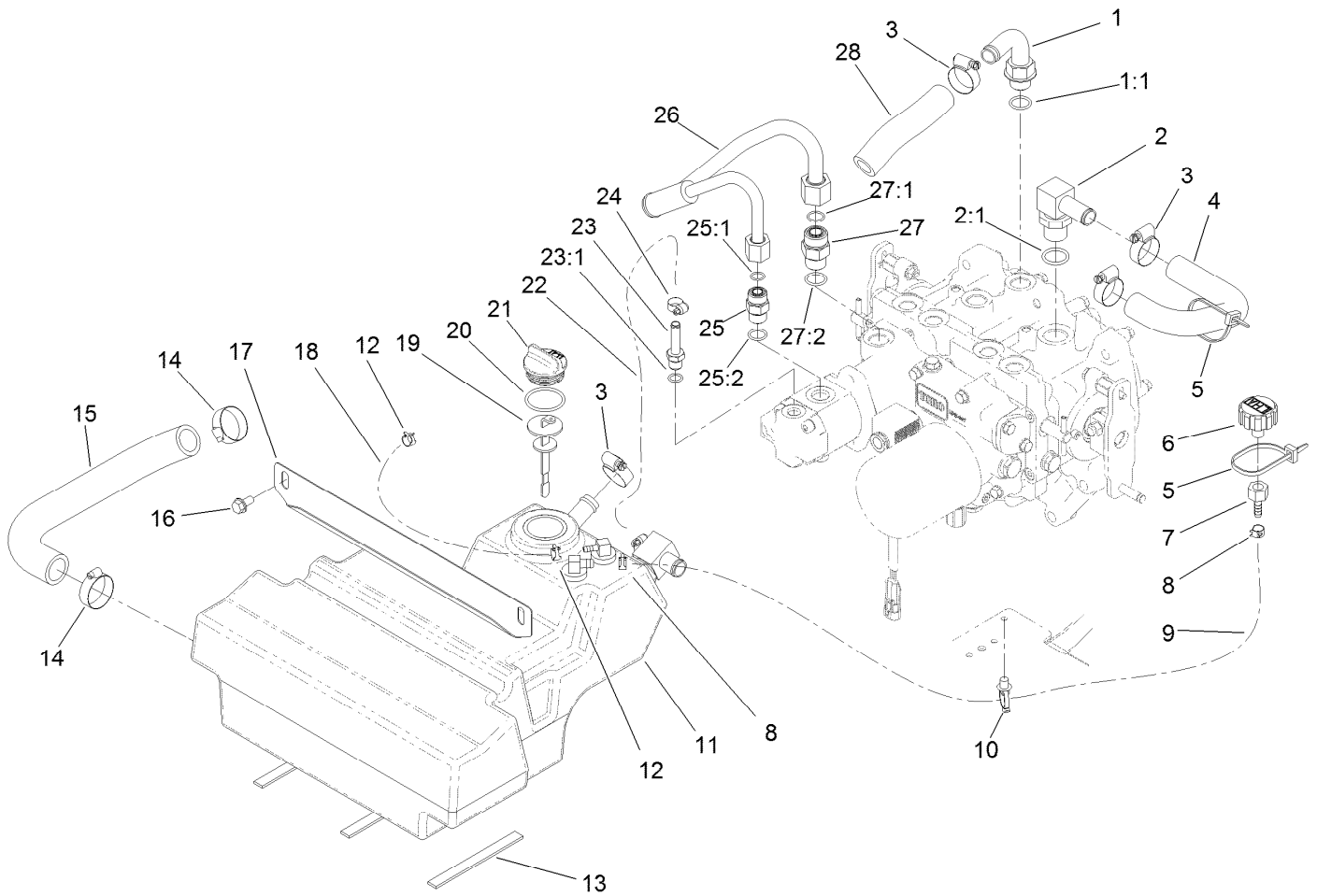
Ref.	Part Number	Qty.	Description	Ref.	Part Number	Qty.	Description
1	119-1796	1	Cable-Battery, Positive	16:11	218-578	2	Fuse-Blade, 10 Amp
2	105-0040	1	Cable-Battery, Negative	16:12	109355	1	Fuse-Blade, 15 Amp
3	106-5187	1	Battery, 525 CCA W/O Electrolyte	16:13	100-4918	2	Diode
4	104-8301	1	Nut-HF, NI	17	108-8657	1	Harness-Wire, Seat
5	3256-24	1	Washer-Flat	18	237-165	1	Grommet
6	138-6335	1	Retainer-Battery	19	3290-378	2	Tie-Cable
7	133-4913	1	Tray-Battery	20	32180-030	2	Clip-Tie
8	110-8276	1	Trim-Hold Down, Battery	21	33013-00	1	Nut-Hex
9	3231-6	1	Screw-CARR	22	43-5930	1	Washer-Lock, Spring
10	322-4	1	Screw-HH	23	3256-2	1	Washer-Flat
11	120-9683	1	Washer-Plain	24	3290-134	1	Screw
12	104-8300	1	Nut-HF, NI	25	99-7435	1	Relay
14	33095-00	1	Washer-Flat	26	3290-148	1	Nut-HF
15	63-7790	1	Screw-Cap	27	99-3441	1	Harness-Wire, Fusible Link
16	122-1414	1	Harness-Wire	28	3253-4	1	Washer-Lock
16:10	94-6710	1	Fuse-2 Amp	29	33014-00	1	Nut-Hex



Transmission and Oil Cooler Hydraulic Assembly

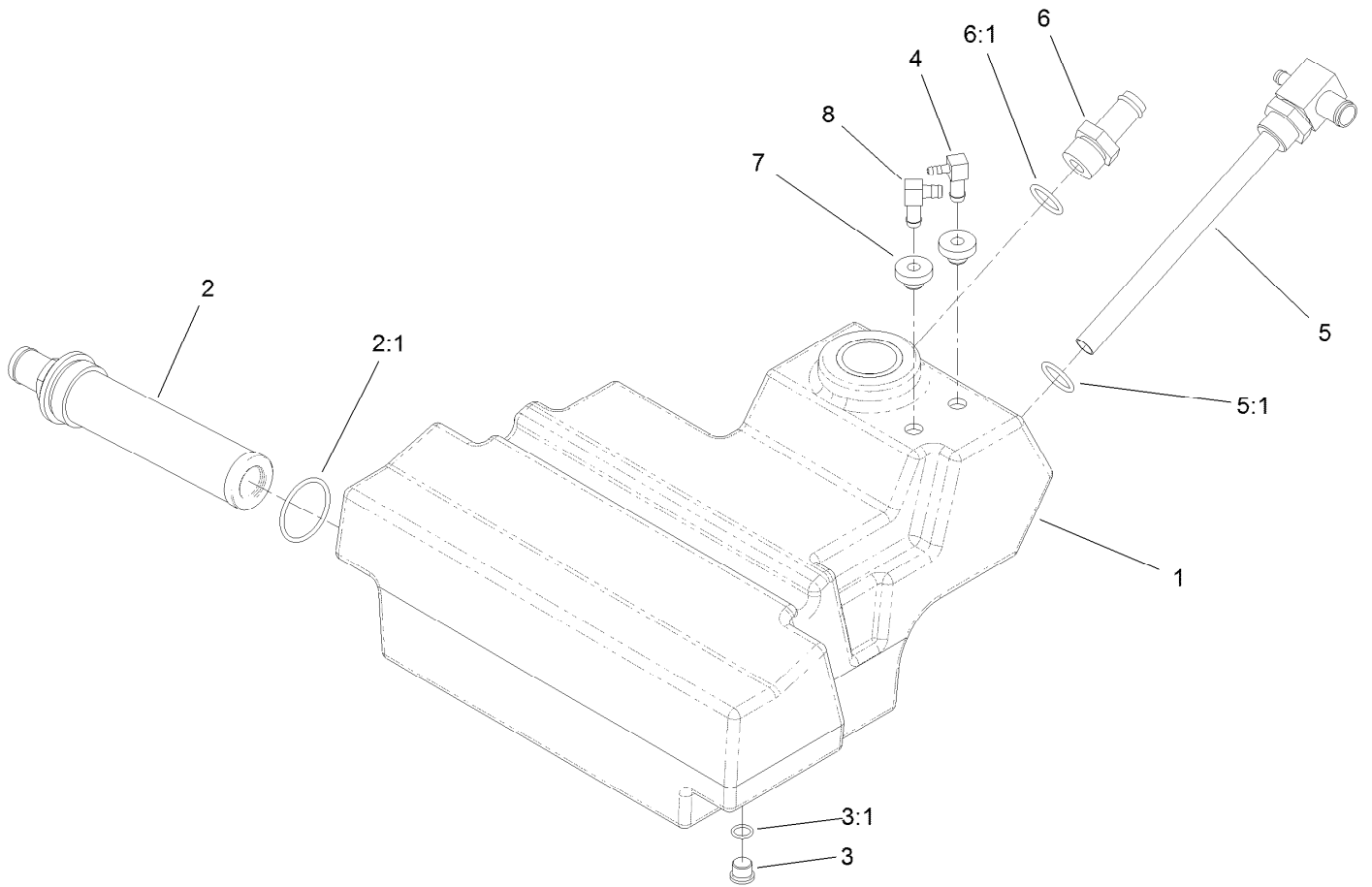
Ref.	Part Number	Qty.	Description
1	112-1683	2	Hose
2	340-7	2	Fitting-Straight
2:1	237-65	1	O-Ring
2:2	237-80	1	O-Ring
3	340-14	2	Fitting-HYD, 45 DEG
3:1	237-65	1	O-Ring
3:2	237-80	1	O-Ring
4	110-5518	2	Hose
5	127-4910	1	Hose-HYD
6	340-2	1	Fitting-Straight
6:1	237-22	1	O-Ring

Ref.	Part Number	Qty.	Description
6:2	237-42	1	O-Ring
7	340-155	4	Fitting-Straight
7:1	237-79	1	O-Ring
7:2	237-151	1	O-Ring
8	110-5542	1	Hose-HYD
9	340-105	1	Fitting-Elbow, 90 DEG
9:1	237-80	1	O-Ring
9:2	237-30	1	O-Ring
10	32144-14	1	Screw-HWHTF
11	2412-137	1	Clamp-R, Double
12	110-5543	1	Hose-HYD



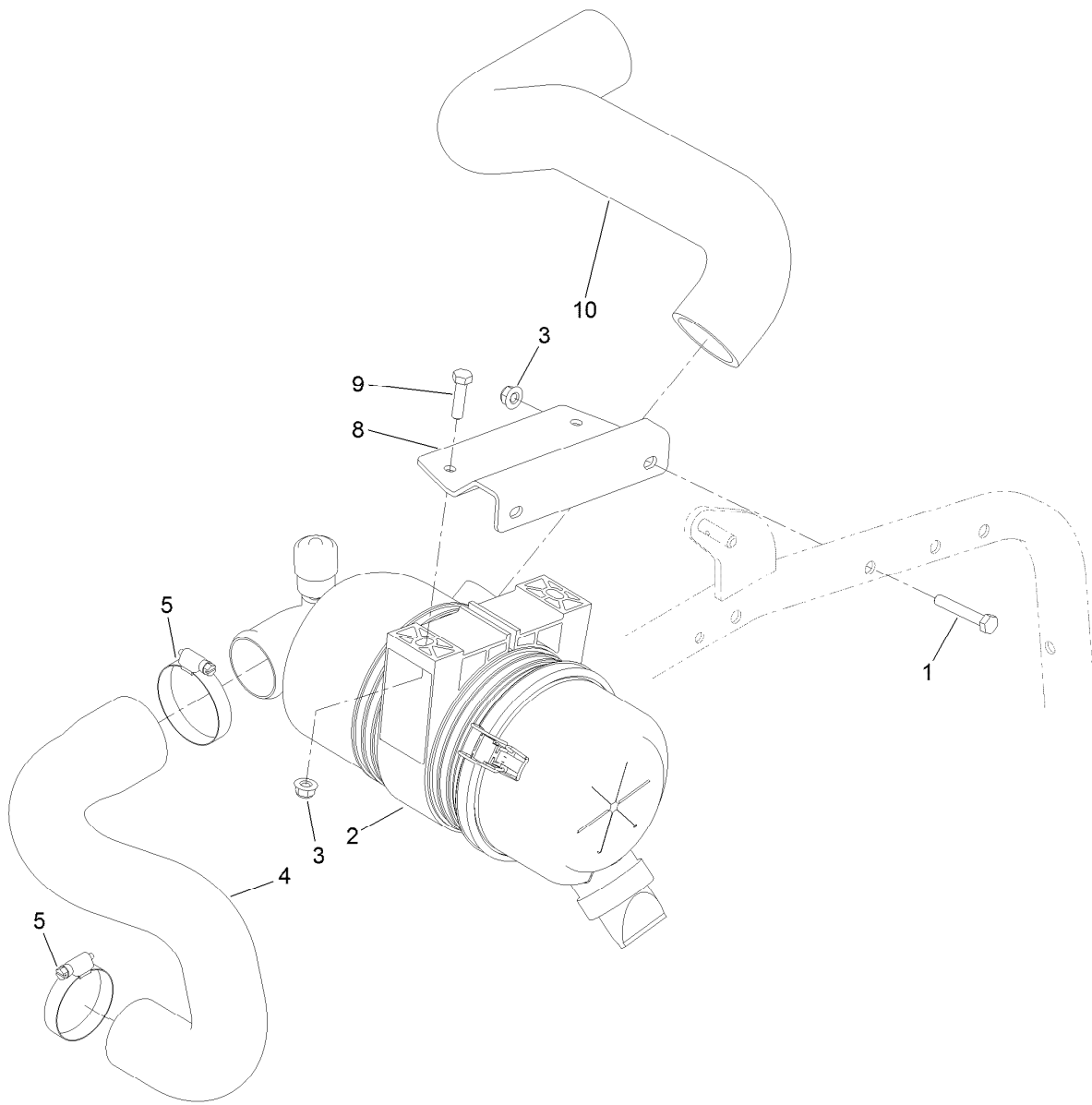
Hydraulic Reservoir Assembly

<i>Ref.</i>	<i>Part Number</i>	<i>Qty.</i>	<i>Description</i>	<i>Ref.</i>	<i>Part Number</i>	<i>Qty.</i>	<i>Description</i>
1	110-5522	1	Fitting-Elbow, 90	17	110-5529-0P	1	Support-Reservoir
1:1	237-80	1	O-Ring	18	109-0299	1	Hose-Fuel
2	353-987	1	Fitting-Elbow, 90	19	112-6365	1	Dipstick
2:1	237-81	1	O-Ring	20	94-8166	1	O-Ring
3	2412-129	4	Clamp-Hose	21	93-7498	1	Plug-Plastic
4	110-5524	1	Hose-Return	22	94-5625	1	Hose
5	3290-379	2	Tie-Cable	23	353-979	1	Fitting-STR
6	68-6150	1	Breather	23:1	237-42	1	O-Ring
7	354-95	1	Fitting-Straight	24	2412-108	2	Clamp-Worm
8	92-2379	2	Clamp-Hose	25	340-4	1	Fitting-Straight
9	110-9662	1	Hose-Fuel	25:1	237-30	1	O-Ring
10	32180-030	1	Clip-Tie	25:2	237-79	1	O-Ring
11	110-8237	1	HYD Reservoir ASM	26	110-5532	1	Tube
12	2412-98	2	Clamp-Hose	27	340-7	1	Fitting-Straight
13	120-0017	3	Strip-Foam	27:1	237-65	1	O-Ring
14	2412-34	2	Clamp-Hose	27:2	237-80	1	O-Ring
15	110-5526	1	Hose-Suction	28	112-1680	1	Hose-HYD
16	32144-14	2	Screw-HWHTF				



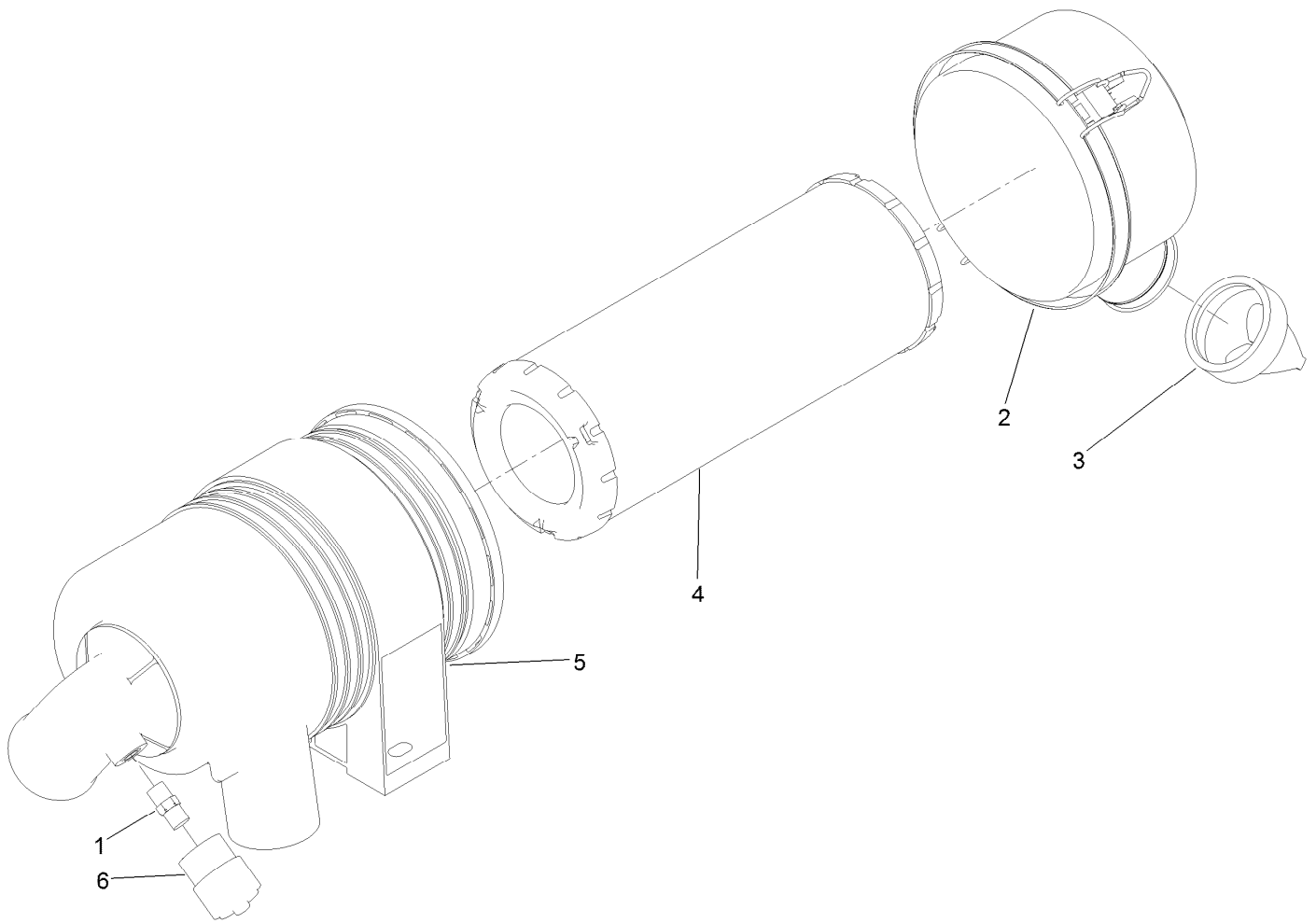
Hydraulic Reservoir Assembly No. 110-8237

<i>Ref.</i>	<i>Part Number</i>	<i>Qty.</i>	<i>Description</i>
1	138-8249	1	Reservoir-Hydraulic
2	104-7546	1	Tank Strainer ASM
2:1	340-136	1	O-Ring
3	353-989	1	Plug-Hex, Hollow
3:1	237-42	1	O-Ring
4	104-5228	1	Fitting-Elbow, 90 DEG
5	108-9894	1	Fitting-Elbow, Special
5:1	237-81	1	O-Ring
6	354-73	1	Fitting
6:1	237-81	1	O-Ring
7	46-6560	2	Bushing
8	46-6550	1	Fitting-Elbow, 90 DEG



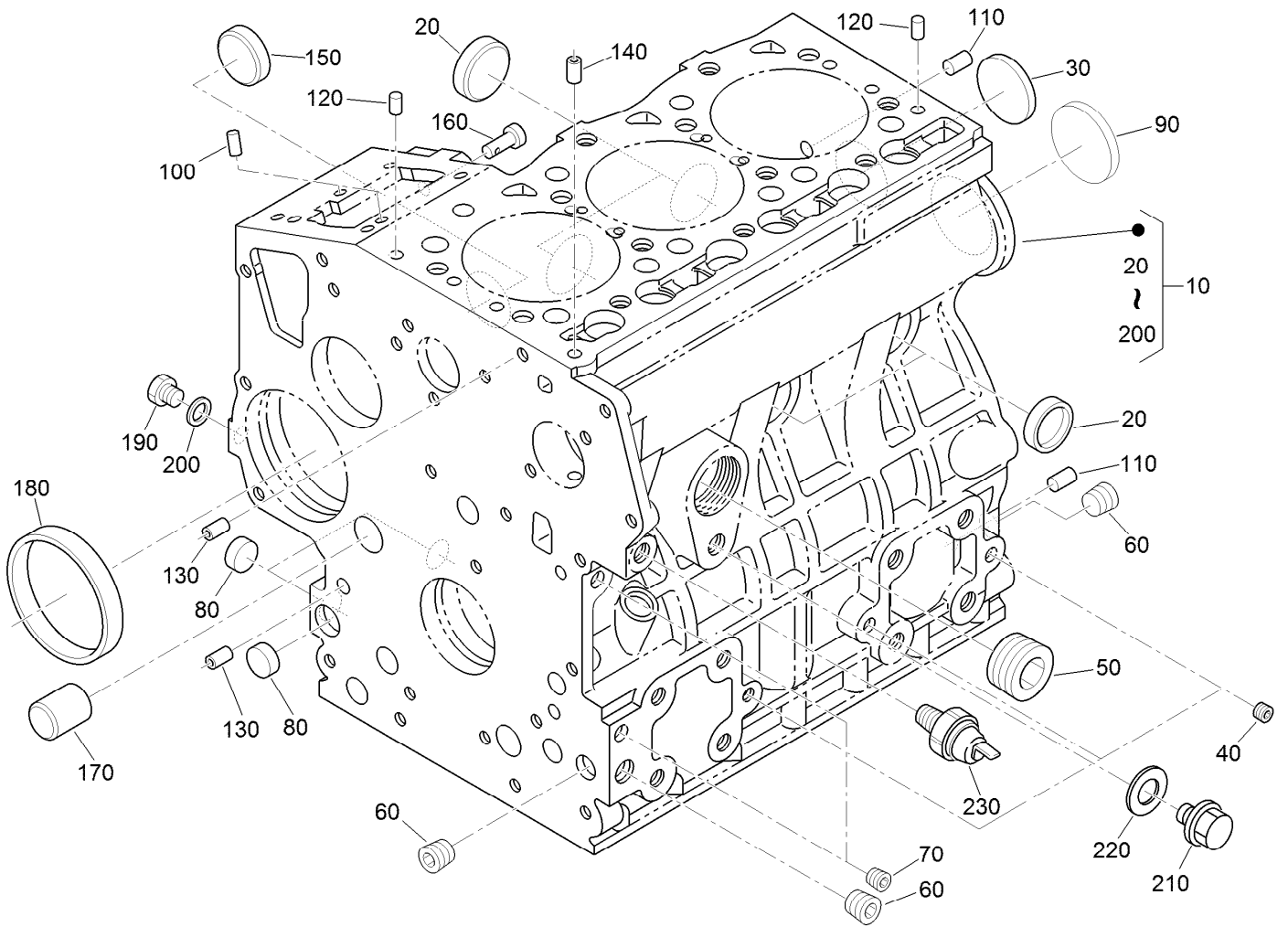
Air Cleaner Assembly

Ref.	Part Number	Qty.	Description
1	322-10	2	Screw-HH
2	136-4481	1	Air Cleaner ASM
3	104-8300	4	Nut-HF, NI
4	105-7236	1	Hose-Inlet, Air
5	2412-130	2	Clamp-Hose
8	108-9843-0P	1	Support-Cleaner, Air
9	322-6	2	Screw-HH
10	105-7281	1	Hose-Air Inlet, Upper



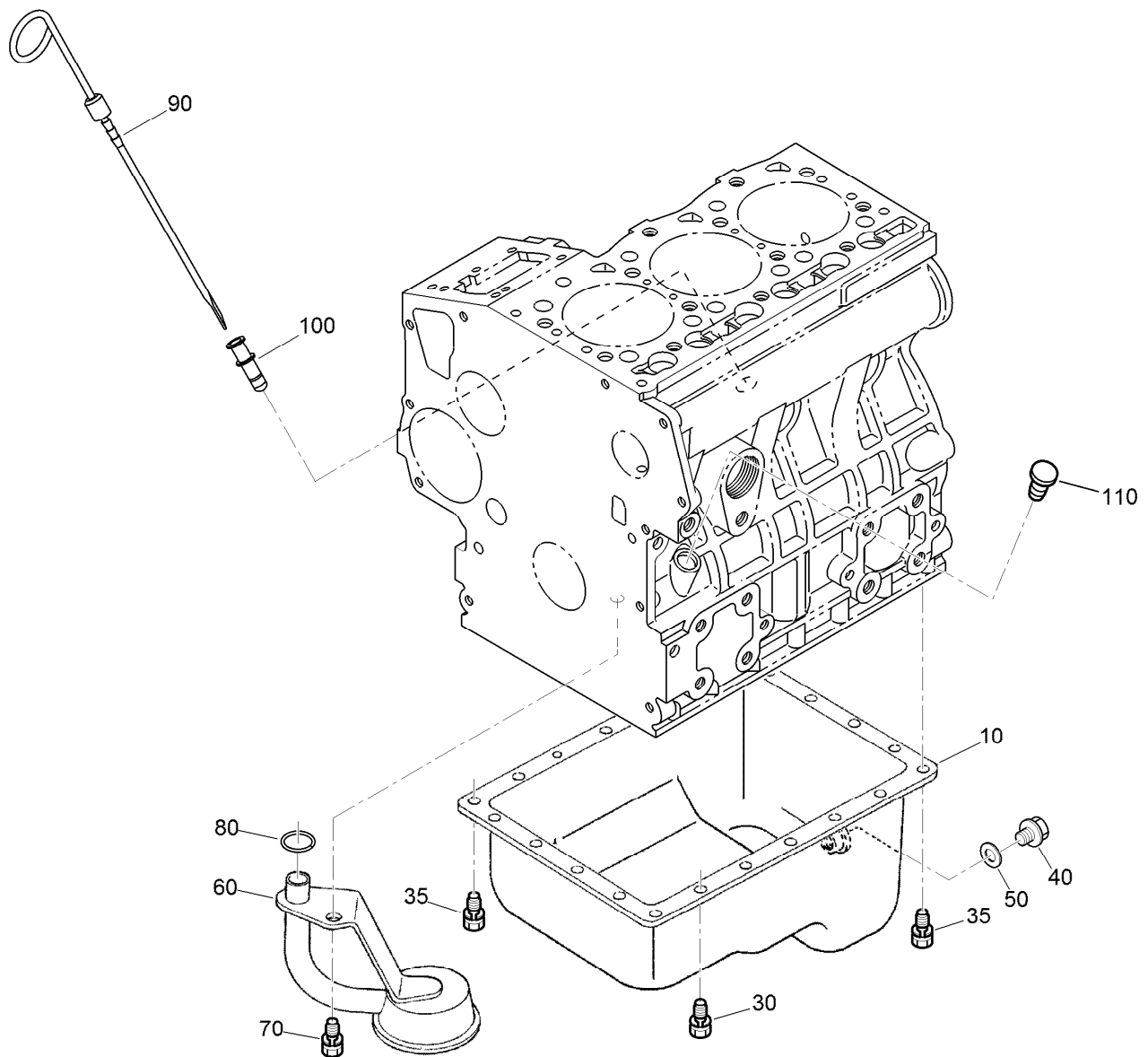
Air Cleaner Assembly No. 136-4481

<i>Ref.</i>	<i>Part Number</i>	<i>Qty.</i>	<i>Description</i>
1	94-1416	1	Adapter-Indicator
2	98-9771	1	Cover ASM
3	94-1414	1	Valve-Vacuator
4	108-3810	1	Filter-Air
5	98-4525	1	Bracket-Cleaner, Air
6	93-9164	1	Indicator-Mini



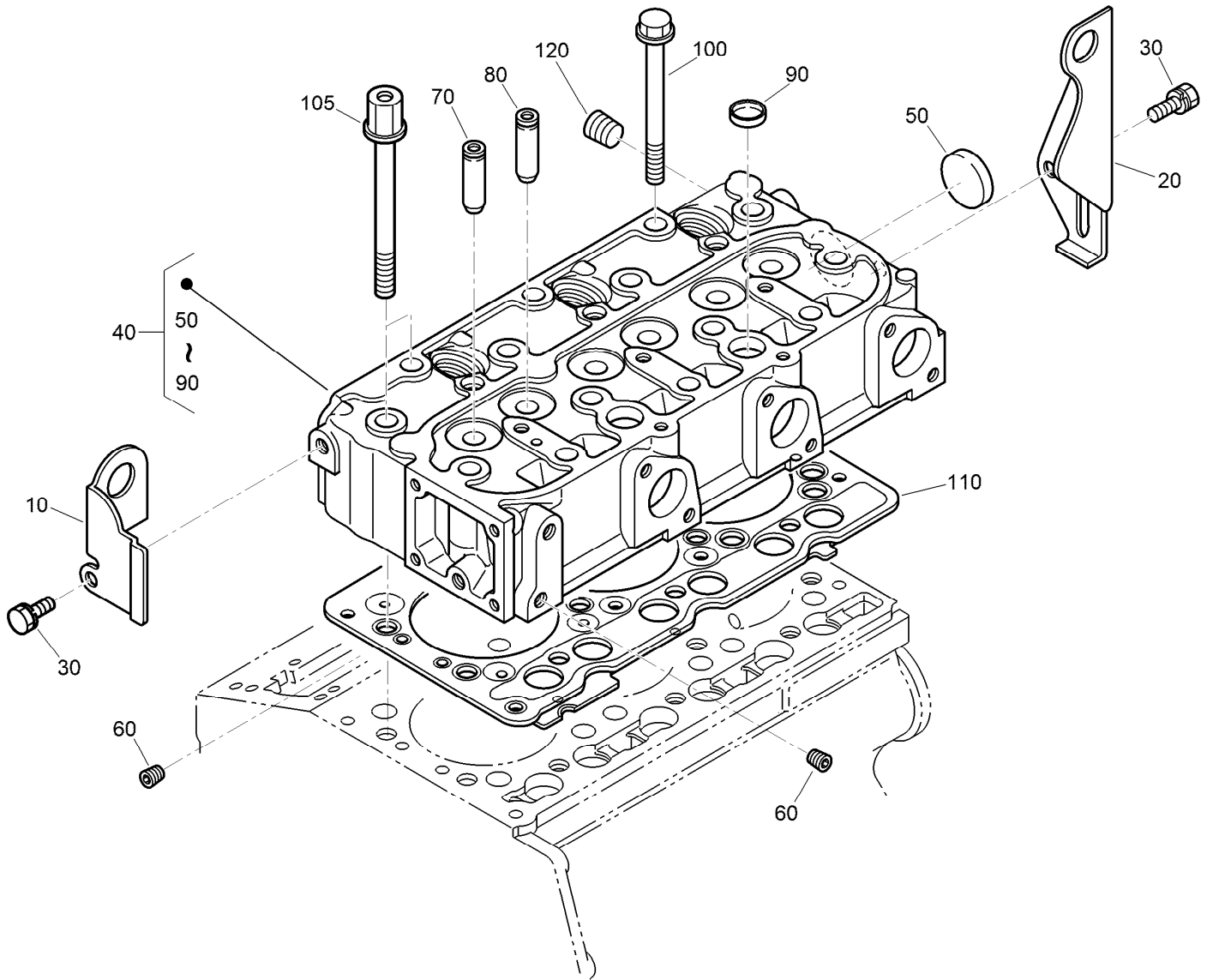
Crankcase Assembly

<i>Ref.</i>	<i>Part Number</i>	<i>Qty.</i>	<i>Description</i>	<i>Ref.</i>	<i>Part Number</i>	<i>Qty.</i>	<i>Description</i>
10	115-3443	1	Crankcase ASM	130	98-9387	2	Pin-Pipe
20	98-9398	4	Cap-Sealing	140	98-9539	1	Pin-Pipe
30	98-7539	1	Cap-Sealing	150	98-9599	1	Plug
40	98-9687	3	Plug	160	98-9630	1	Pin-Spring, Start
50	105-3779	1	Plug	170	98-9675	1	Plug
60	98-9597	3	Plug	180	98-9656	1	Bushing-Governor, Gear
70	98-7487	2	Plug	190	120-2559	1	Plug
80	98-9379	3	Plug-Expansion	200	98-7428	1	Gasket
90	98-9668	1	Plug-Expansion	210	99-3447	1	Plug
100	98-9375	2	Pin-Straight	220	106-7056	1	Gasket
110	98-9377	2	Pin-Straight	230	98-9416	1	Switch-Oil
120	98-9376	2	Pin-Straight				



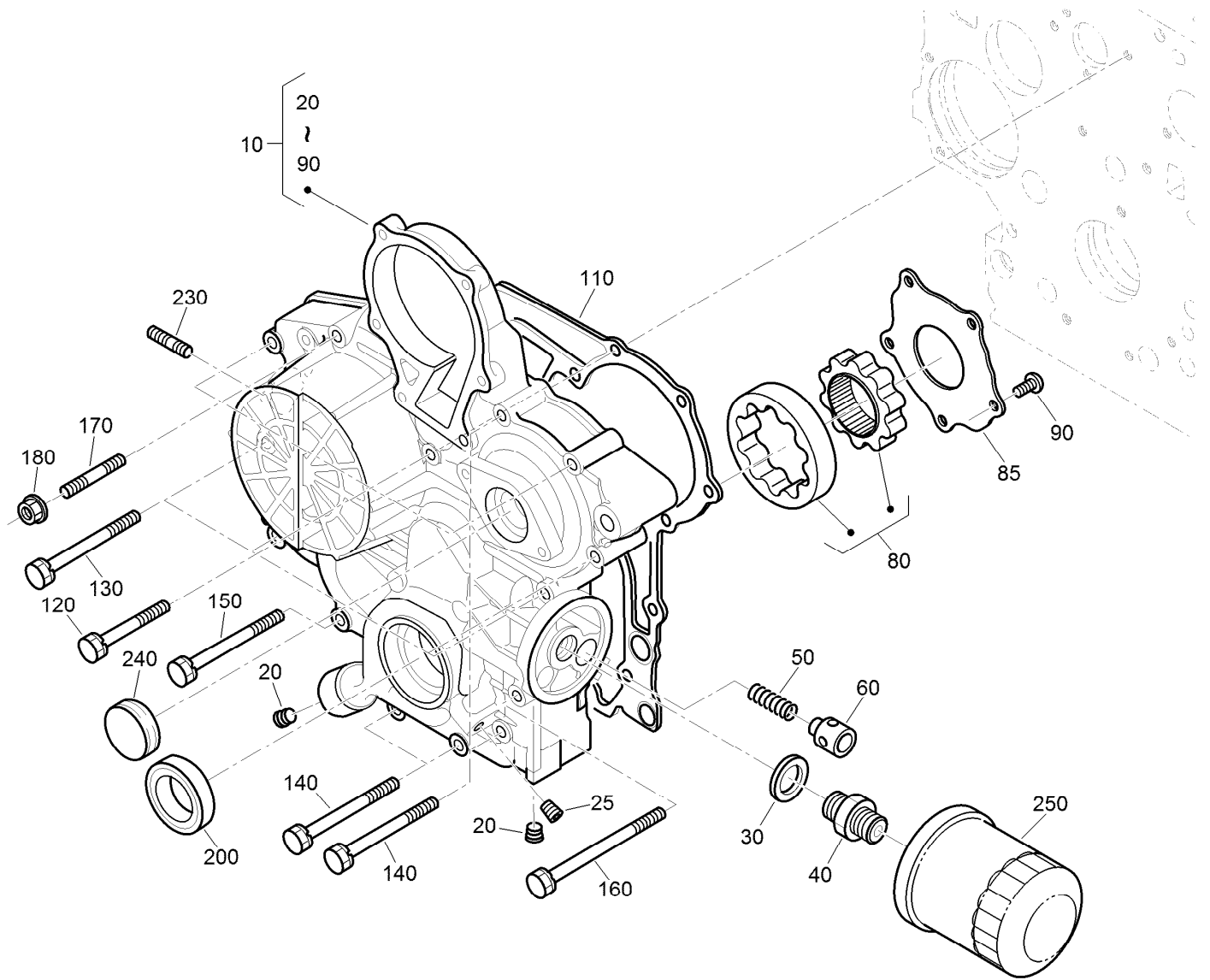
Oil Pan and Dipstick Assembly

Ref.	Part Number	Qty.	Description
10	112-0179	1	Pan-Oil
30	98-9351	20	Bolt
35	98-9351	2	Bolt
40	114-8151	1	Plug-Drain
50	98-7524	1	Gasket
60	108-1401	1	Base-Filter
70	98-7526	1	Bolt
80	105-3776	1	O-Ring
90	104-9348	1	Gauge-Oil
100	105-4580	1	Guide-Gauge, Oil
110	110-3720	1	Plug-Gauge, Oil



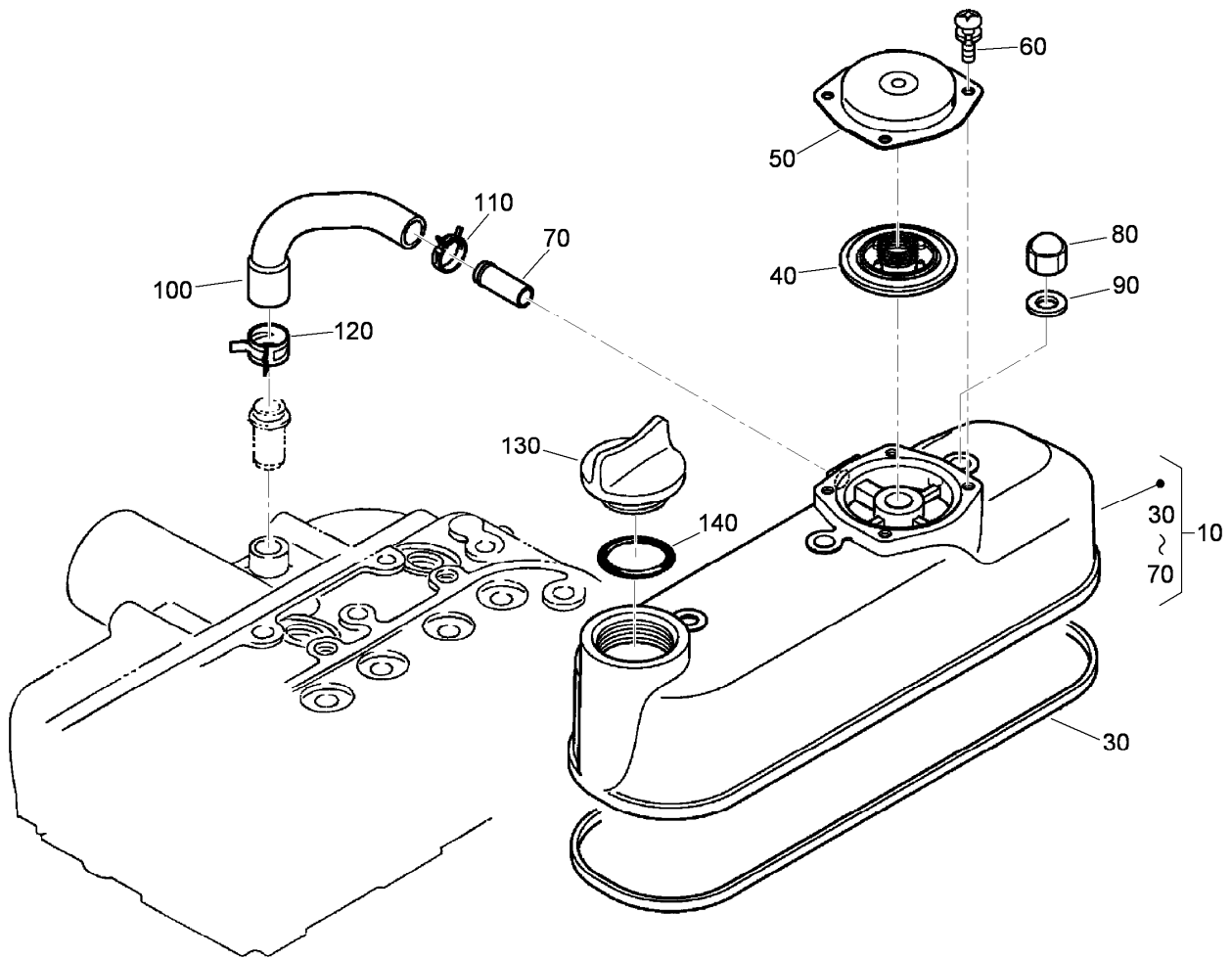
Cylinder Head Assembly

Ref.	Part Number	Qty.	Description
10	130-1231	1	Hook-Engine
20	98-9478	1	Hook-Engine
30	100-9195	2	Bolt
40	130-1544	1	Cylinder Head ASM
50	105-3705	1	Cap-Sealing
60	98-9687	2	Plug
70	107-9066	3	Guide-Valve, Inlet
80	107-9067	3	Guide-Valve, Exhaust
90	98-9389	2	Cap-Sealing
100	98-9479	12	Bolt-Head, Cylinder
105	98-9479	2	Bolt-Head, Cylinder
110	108-6573	1	Gasket-Head, Cylinder
120	98-9444	1	Plug



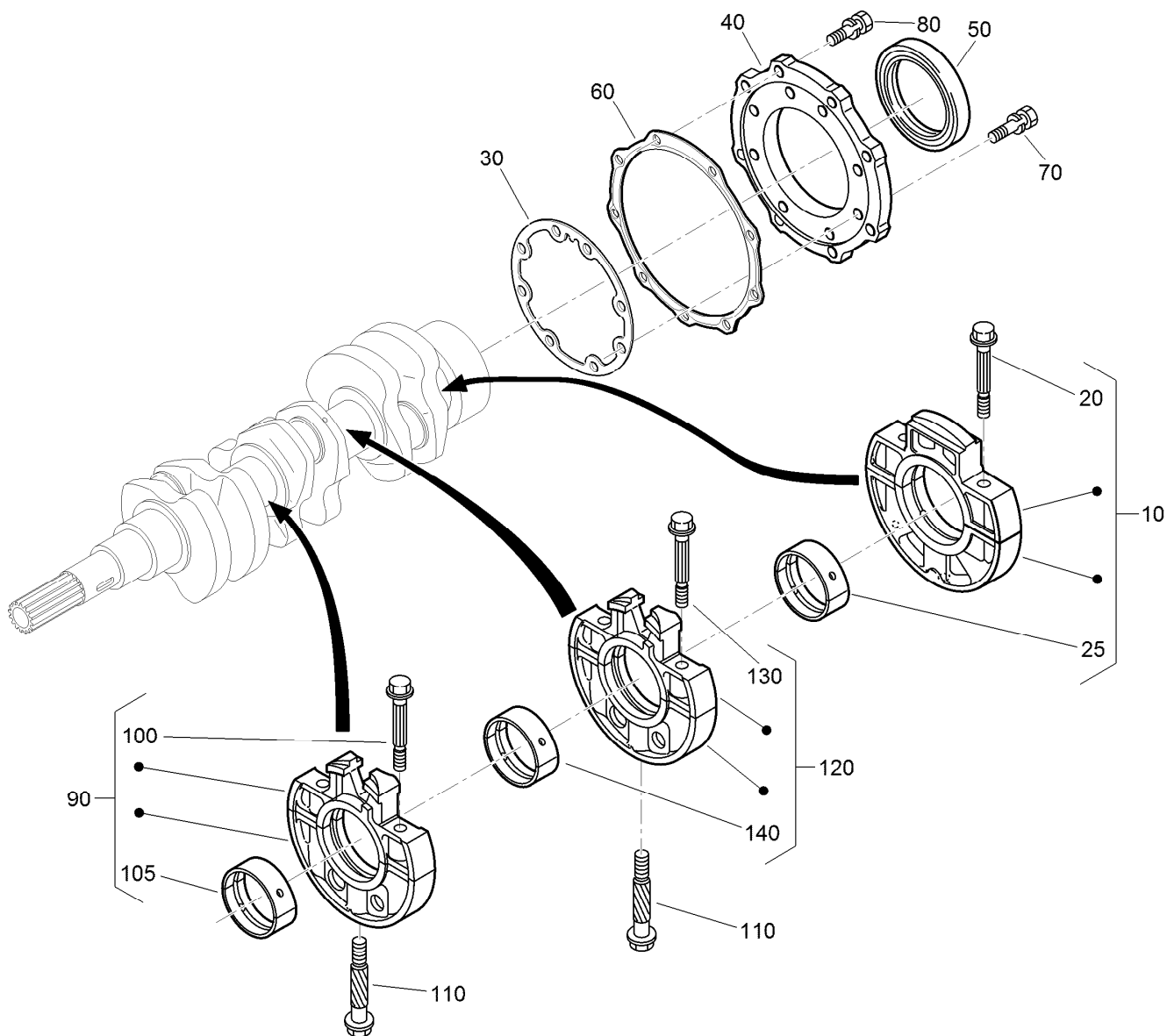
Gear Case and Oil Filter Cartridge Assembly

Ref.	Part Number	Qty.	Description	Ref.	Part Number	Qty.	Description
10	115-4105	1	Gear Case ASM	120	100-1765	3	Bolt
20	127-0425	2	Plug	130	125-9063	4	Bolt-Sems
25	98-7487	1	Plug	140	98-9356	4	Bolt
30	98-7562	1	Washer-Plain	150	107-9074	1	Bolt
40	98-9388	1	Joint-Pipe	160	99-3510	1	Bolt
50	130-1511	1	Spring	170	105-3709	1	Stud
60	130-1510	1	Valve-Relief	180	100-2203	1	Nut-Flange
80	130-1508	1	Rotor ASM	200	119-8038	1	Seal-Oil
85	130-1509	1	Cover-Pump, Oil	230	105-3710	2	Stud
90	130-1164	5	Screw-Binding	240	99-3515	1	Plug-Gearcase
110	98-9633	1	Gasket-Case, Gear	250	127-0511	1	Filter-Oil



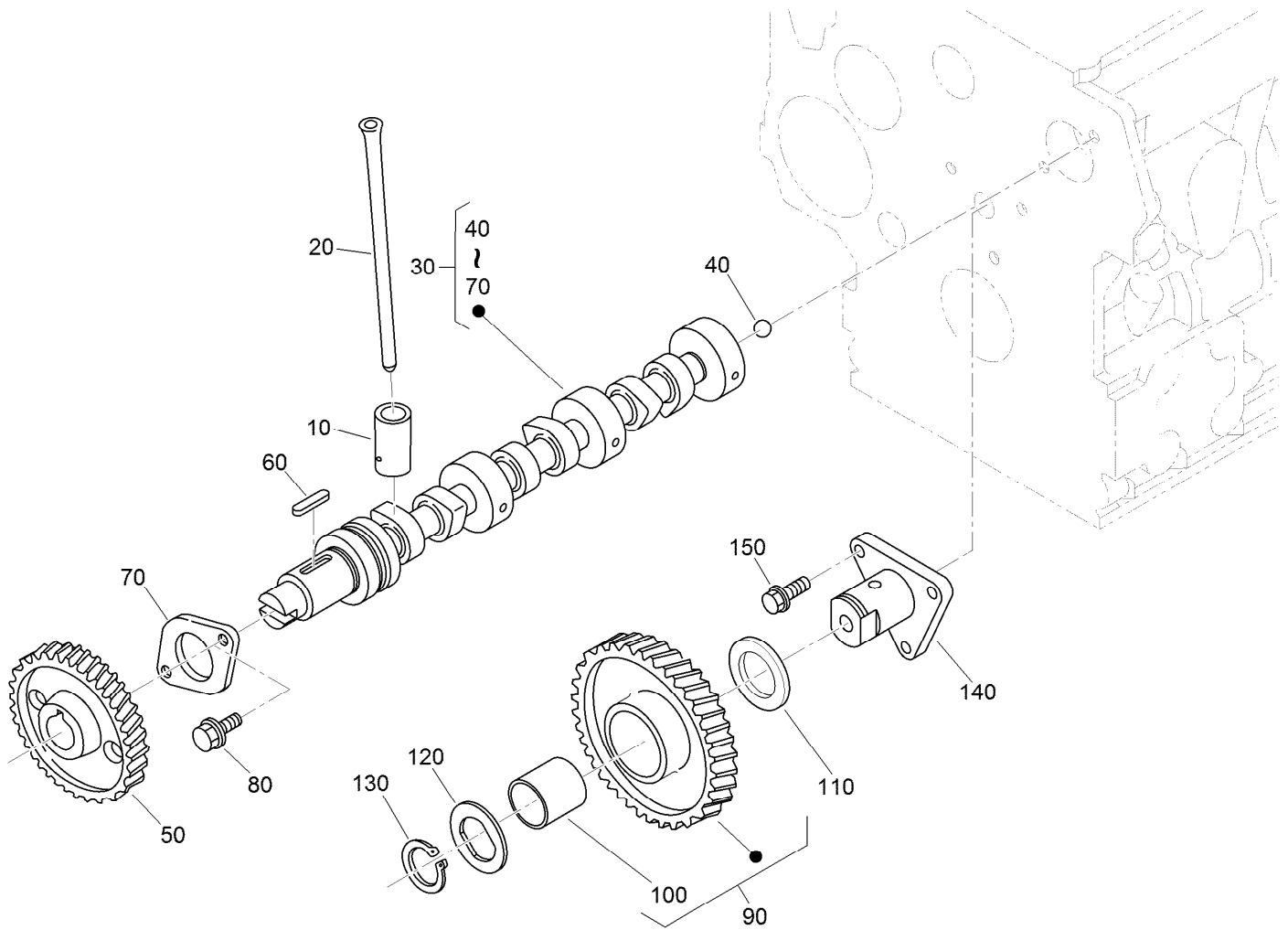
Cylinder Head Cover Assembly

<i>Ref.</i>	<i>Part Number</i>	<i>Qty.</i>	<i>Description</i>
10	115-3446	1	Cylinder Head Cover ASM
30	98-9615	1	Gasket-Cover, Head
40	110-3715	1	Valve-Breather
50	110-3714	1	Cover-Breather
60	98-9364	4	Screw (With Washer)
70	98-7766	1	Pipe-Return, Water
80	98-9455	3	Nut-Cap
90	98-9454	3	Gasket
100	108-2858	1	Tube-Breather
110	108-2859	1	Clamp-Hose
120	108-2860	1	Clamp-Hose
130	107-9075	1	Plug-Filler, Oil
140	99-3446	1	O-Ring



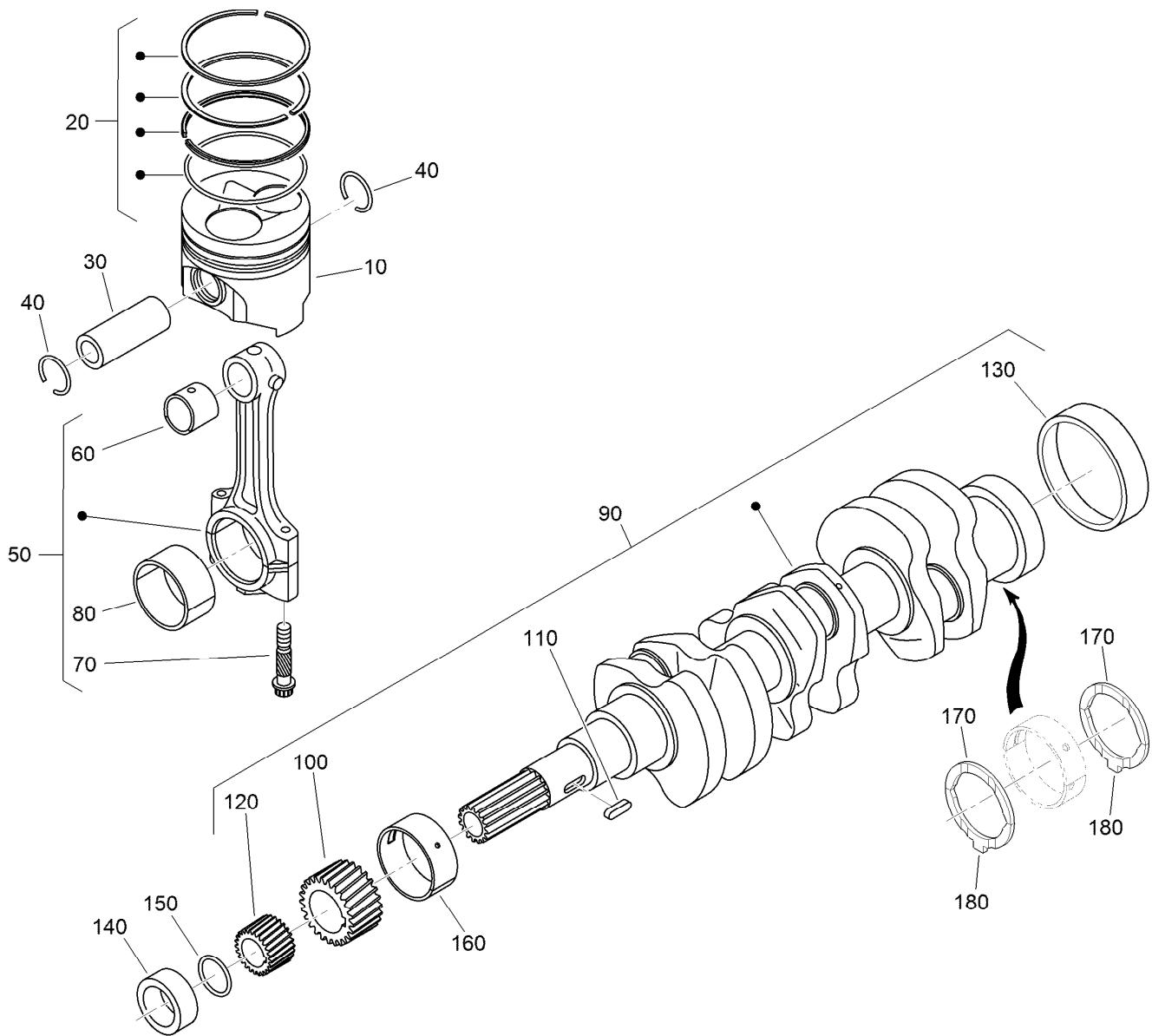
Main Bearing Case Assembly

Ref.	Part Number	Qty.	Description	Ref.	Part Number	Qty.	Description
10	112-7026	1	Wheel Bearing Case ASM	90	115-4106	1	Main Bearing Case ASM
20	98-9484	2	Bolt-Case, Bearing	100	98-9484	2	Bolt-Case, Bearing
25	115-4121	1	Metal-Crankshaft (STD)	105	98-9524	1	Metal-Crankshaft (STD Set)
25	112-7039	1	Metal-Crankshaft (0.2Mm)	105	127-0433	1	Metal-Crankshaft (-0.2Mm)
25	112-7040	1	Metal-Crankshaft (-0.4Mm)	105	98-9531	1	Bearing-Main (0.4Mm)
30	131-6554	1	Gasket-Case, Bearing	110	98-9485	2	Bolt-Case, Bearing
40	112-7046	1	Cover-Case, Bearing	120	115-4107	1	Main Bearing Case ASM
50	112-0180	1	Seal-Oil	130	98-9484	2	Bolt-Case, Bearing
60	112-7037	1	Gasket-Cover, Case	140	98-9524	1	Metal-Crankshaft (STD Set)
70	127-0441	8	Bolt	140	127-0433	1	Metal-Crankshaft (-0.2Mm)
80	127-0442	9	Bolt	140	98-9531	1	Bearing-Main (0.4Mm)



Camshaft and Idle Gear Shaft Assembly

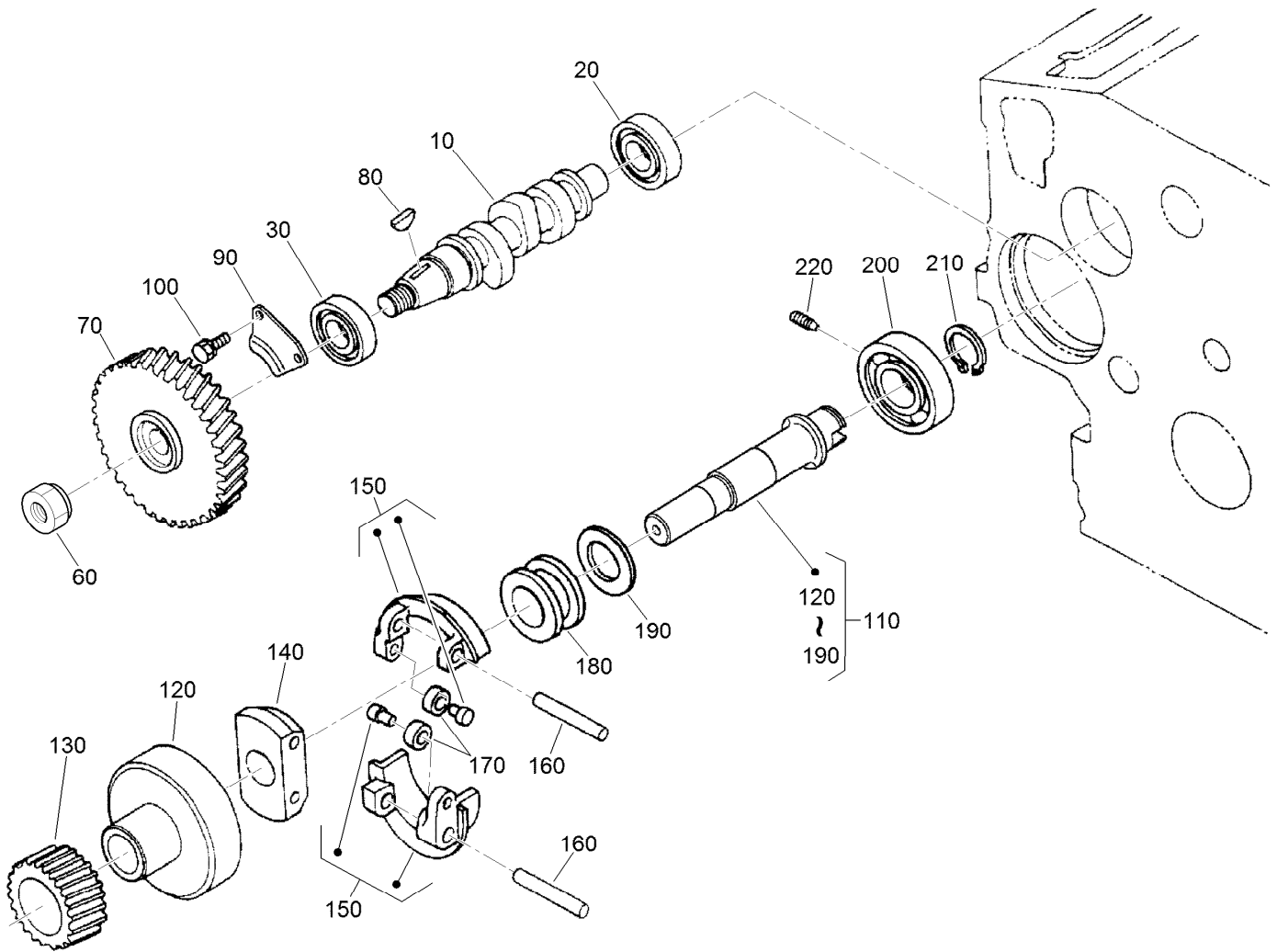
Ref.	Part Number	Qty.	Description
10	112-0185	1	Tappet
20	127-0421	6	Rod-Push
30	130-1545	1	Camshaft ASM
40	110-3729	1	Ball
50	98-9512	1	Gear-Cam
60	98-9378	1	Key-Feather
70	98-9510	1	Stopper-Camshaft
80	98-7692	2	Bolt
90	117-7584	1	Idler Gear ASM
100	117-7585	1	Bushing-Gear, Idle
110	98-9535	1	Collar-Gear, Idle
120	98-9536	1	Collar-Gear, Idle
130	98-9534	1	Circlip-Gear, Idle
140	98-9533	1	Shaft-Gear, Idle
150	98-7692	3	Bolt



Piston and Crankshaft Assembly

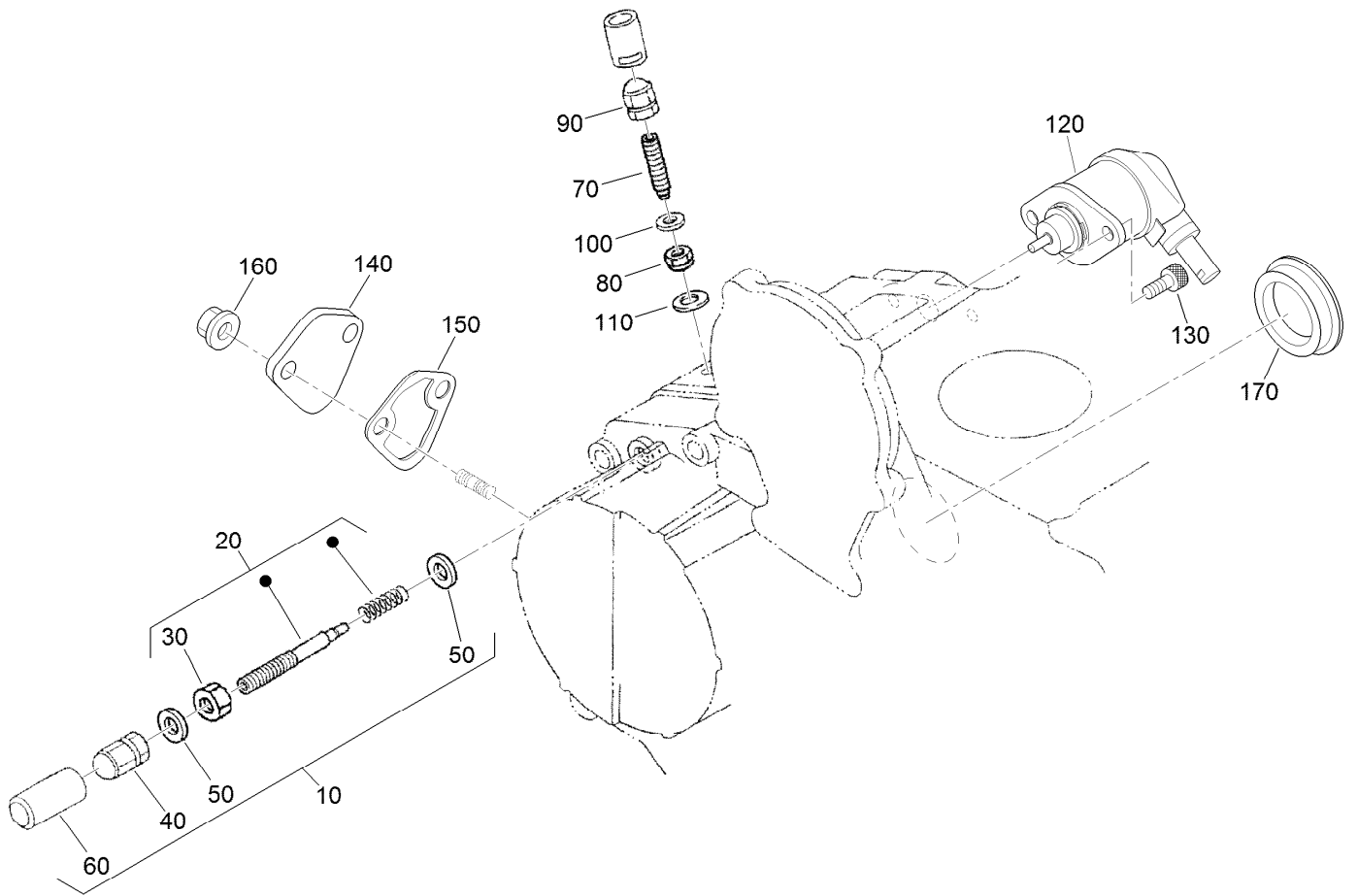
Ref.	Part Number	Qty.	Description
10	130-1546	3	Piston (STD)
10	130-1549	3	Piston (+0.50Mm)
20	130-1506	3	Piston Ring ASM (STD)
20	130-1507	3	Piston Ring ASM (+0.50Mm)
30	98-9513	3	Pin-Piston
40	98-9514	6	Circlip-Pin, Piston
50	117-7586	3	Connecting Rod ASM
60	115-3014	3	Bushing-Pin, Piston
70	98-9517	6	Bolt-Rod, Connecting
80	98-9553	3	Bearing-Rod (STD)
80	98-9519	3	Bearing-Rod (-0.2Mm)
80	117-7588	3	Metal-Crankpin (-0.4Mm)
90	130-1375	1	Crankshaft ASM
100	117-7561	1	Gear-Crankshaft

Ref.	Part Number	Qty.	Description
110	98-9666	1	Key
120	127-0445	1	Gear-Drive, Oil Pump
130	98-9522	1	Sleeve-Crankshaft
140	127-0444	1	Collar-Crankshaft
150	105-3783	1	O-Ring
160	112-7005	1	Bearing-Main (STD)
160	98-9528	1	Bearing-Main (-0.2Mm)
160	127-0432	1	Metal-Crankshaft (-0.4Mm)
170	98-9413	2	Bearing-Thrust (STD)
170	127-0416	2	Metal-Side (+0.2Mm)
170	127-0417	2	Metal-Side (+0.40Mm)
180	98-9688	2	Bearing-Thrust (STD)
180	127-0437	2	Metal-Side (+0.2Mm)
180	127-0438	2	Metal-Side (+0.40Mm)



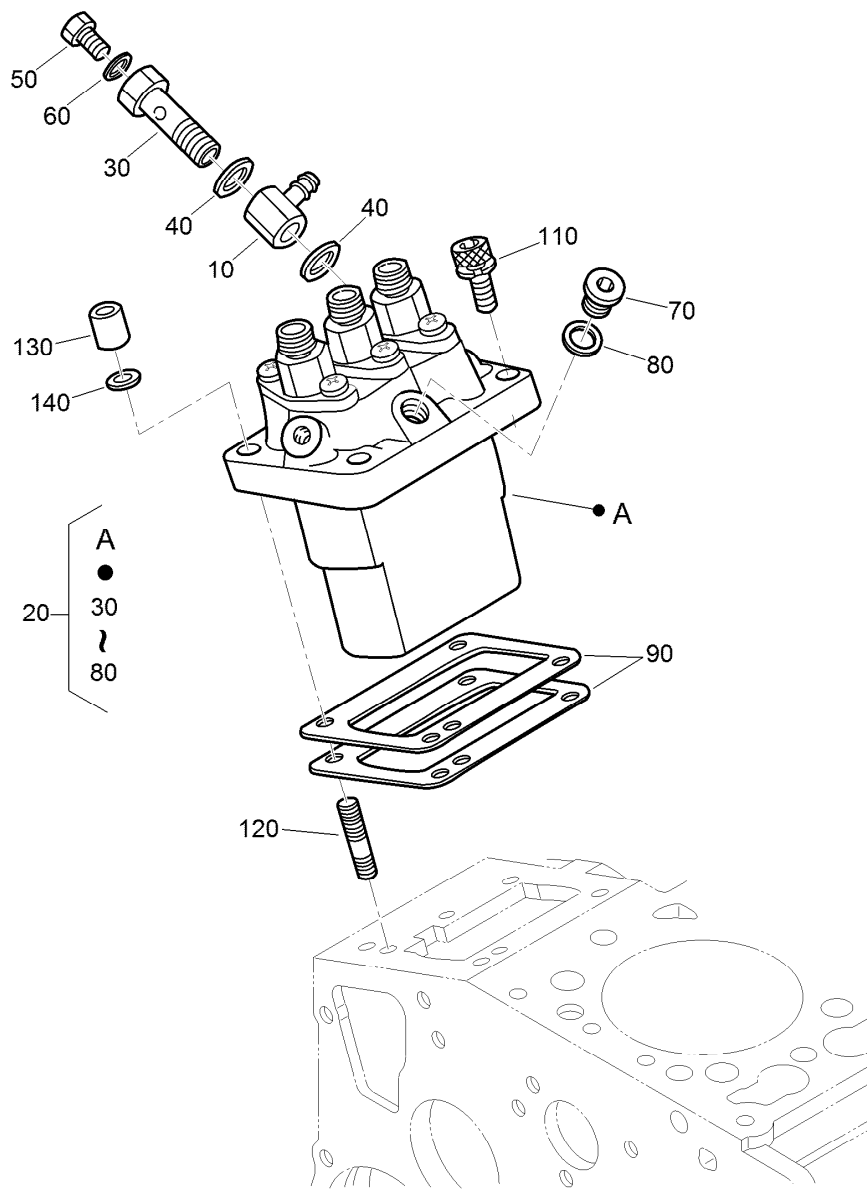
Fuel Camshaft and Governor Shaft Assembly

<i>Ref.</i>	<i>Part Number</i>	<i>Qty.</i>	<i>Description</i>	<i>Ref.</i>	<i>Part Number</i>	<i>Qty.</i>	<i>Description</i>
10	98-9459	1	Camshaft-Fuel	130	98-9673	1	Gear-Governor
20	107-9077	1	Bearing-Ball	140	98-9561	1	Holder-Weight, Governor
30	107-9078	1	Bearing-Ball	150	98-9559	2	Governor Weight ASM
60	130-1512	1	Nut	160	98-9560	2	Shaft-Weight, Governor
70	120-2562	1	Gear-Pump, Injection	170	98-9692	2	Roller
80	98-9595	1	Key-Woodruff	180	98-9563	1	Sleeve-Governor
90	98-9511	1	Stopper-Fuel, Camshaft	190	98-9564	1	Washer-Thrust
100	98-7692	2	Bolt	200	107-9079	1	Bearing-Ball
110	98-9644	1	Governor Shaft ASM	210	98-9657	1	Circlip-Shaft, Governor
120	98-9562	1	Holder-Gear, Governor	220	98-9565	1	Screw-Set



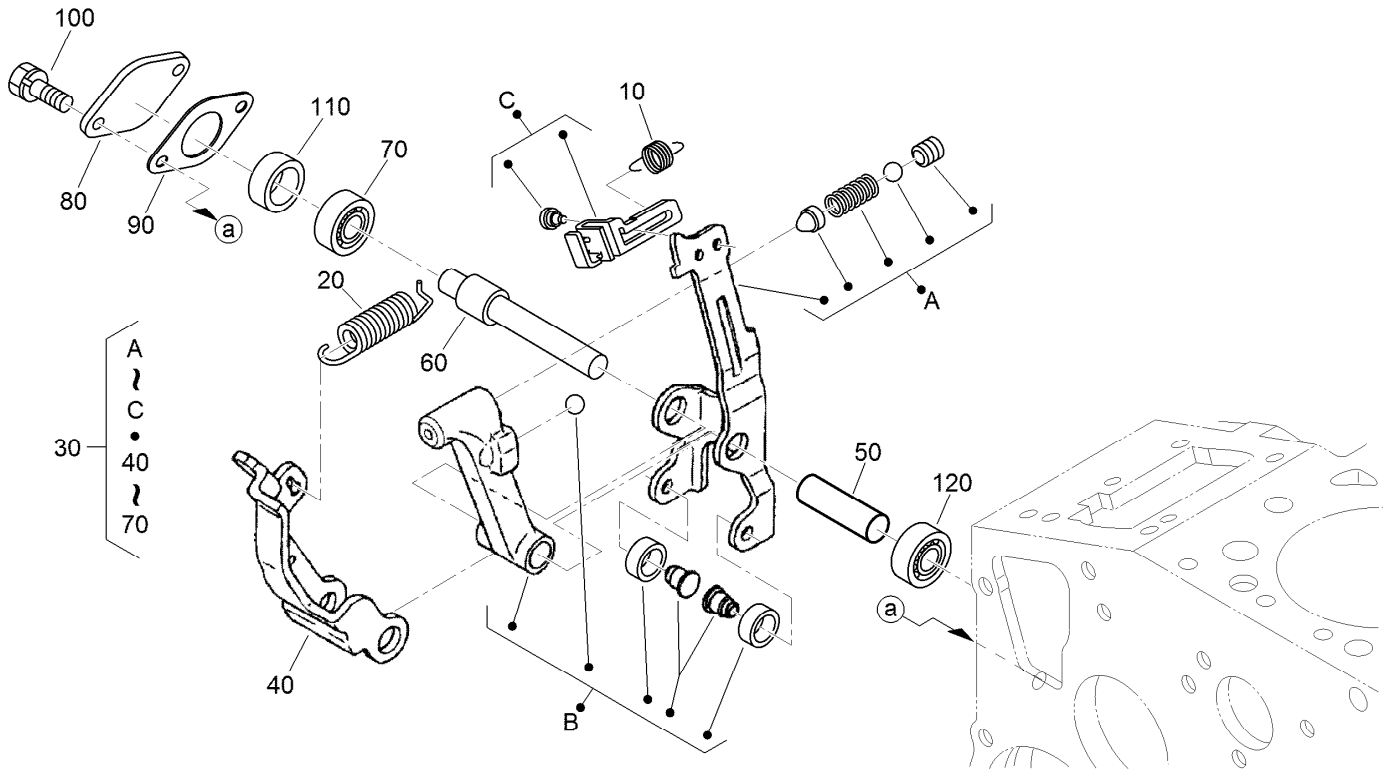
Idle Apparatus Assembly

<i>Ref.</i>	<i>Part Number</i>	<i>Qty.</i>	<i>Description</i>	<i>Ref.</i>	<i>Part Number</i>	<i>Qty.</i>	<i>Description</i>
10	98-9678	1	Idle Apparatus ASM	100	98-7654	1	Gasket
20	112-7014	1	Adjusting Bolt ASM	110	107-9081	1	Gasket
30	98-9439	1	Nut	120	104-5155	1	Solenoid-Stop
40	112-0181	1	Nut	130	130-1155	2	Screw-HSH
50	98-7654	2	Gasket	140	99-3514	1	Cover
60	98-7656	1	Cap	150	117-7562	1	Gasket-Pump, Fuel
70	112-7015	1	Bolt-Adjusting	160	100-2203	2	Nut-Flange
80	100-2175	1	Nut-Lock	170	112-7016	1	Cover-Pump
90	112-0181	1	Nut				



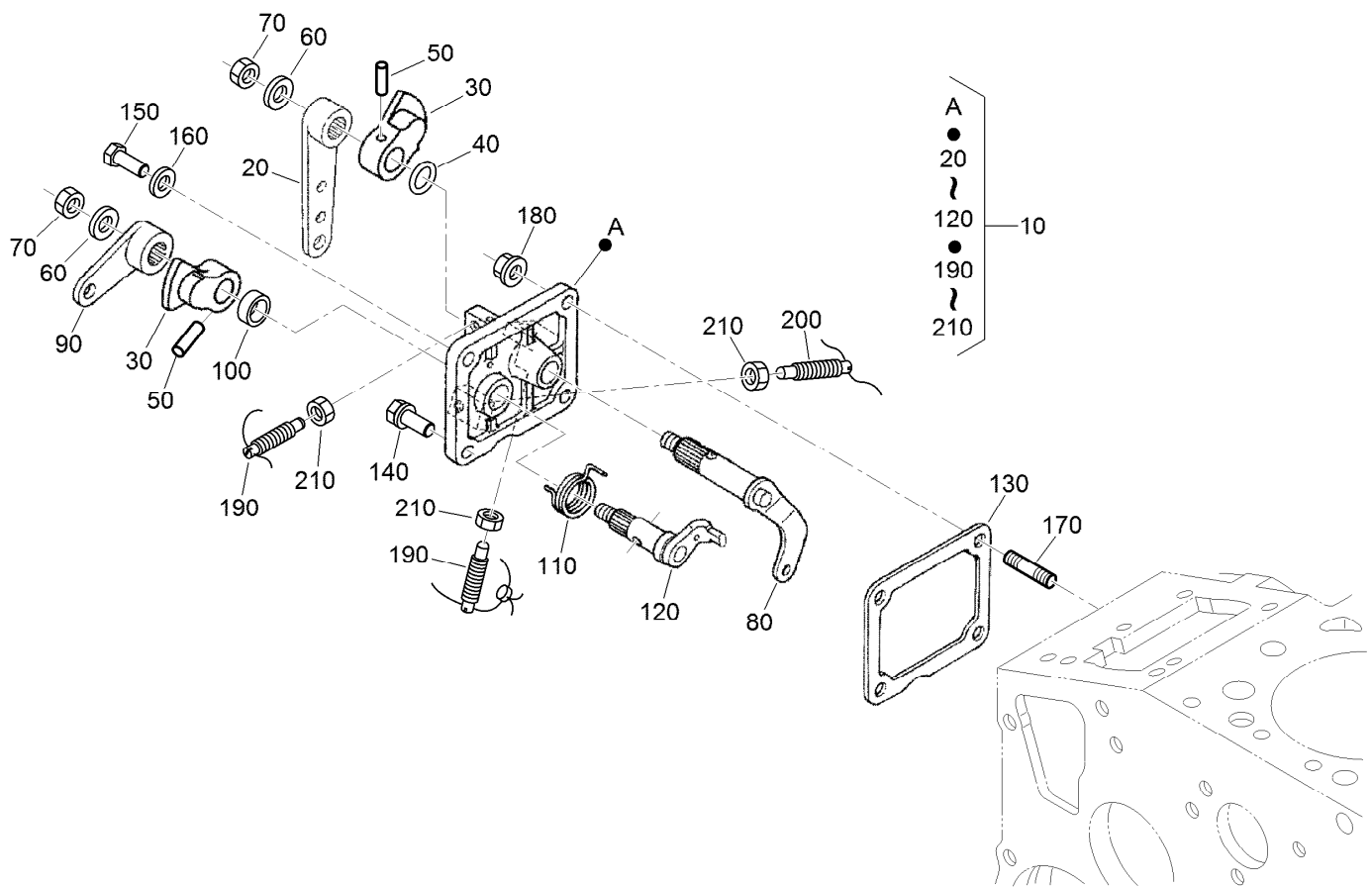
Injection Pump Assembly

<i>Ref.</i>	<i>Part Number</i>	<i>Qty.</i>	<i>Description</i>	<i>Ref.</i>	<i>Part Number</i>	<i>Qty.</i>	<i>Description</i>
10	98-9596	1	Joint-Eye	90	98-9457	1	Shim-Injection (0.25Mm)
20	98-9643	1	Injection Pump ASM	90	98-9458	1	Shim-Injection (0.30Mm)
30	98-9464	1	Bolt-Joint	90	115-3046	1	Shim-Injection (0.35Mm)
40	98-9445	2	Gasket	90	115-3045	1	Shim-Injection (0.175Mm)
50	98-9430	1	Screw	110	117-7564	2	Bolt-Hex Soc HD
60	98-9446	1	Gasket	120	98-9438	2	Stud
70	98-9466	1	Plug	130	98-9440	2	Nut-Cap
80	98-9451	1	Gasket	140	98-7699	2	Washer-Spring
90	98-9456	1	Shim-Injection (0.20Mm)				



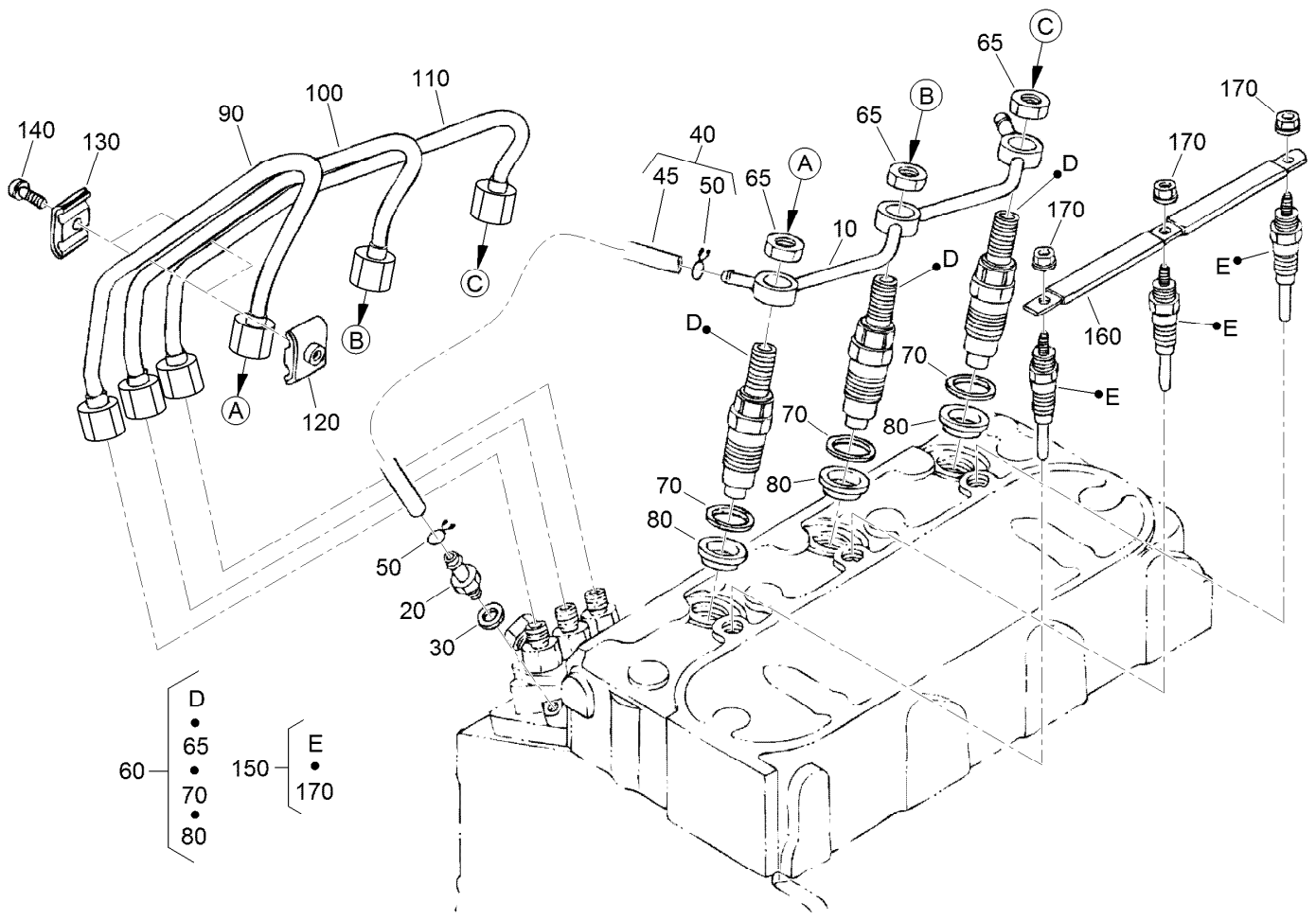
Governor Assembly

<i>Ref.</i>	<i>Part Number</i>	<i>Qty.</i>	<i>Description</i>
10	105-3786	1	Spring-Start
20	98-9681	1	Spring-Governor
30	115-4502	1	Fork Lever ASM
40	107-9084	1	Lever-Fork
50	107-9085	1	Shaft-Lever, Fork
60	107-9086	1	Shaft-Lever, Fork
70	98-9570	1	Bearing-Miniaturize
80	115-4122	1	Cover-Shaft, Fork Lever
90	98-9682	1	Gasket
100	98-9350	2	Bolt
110	98-9567	1	Collar
120	98-9571	1	Bearing-Miniaturize



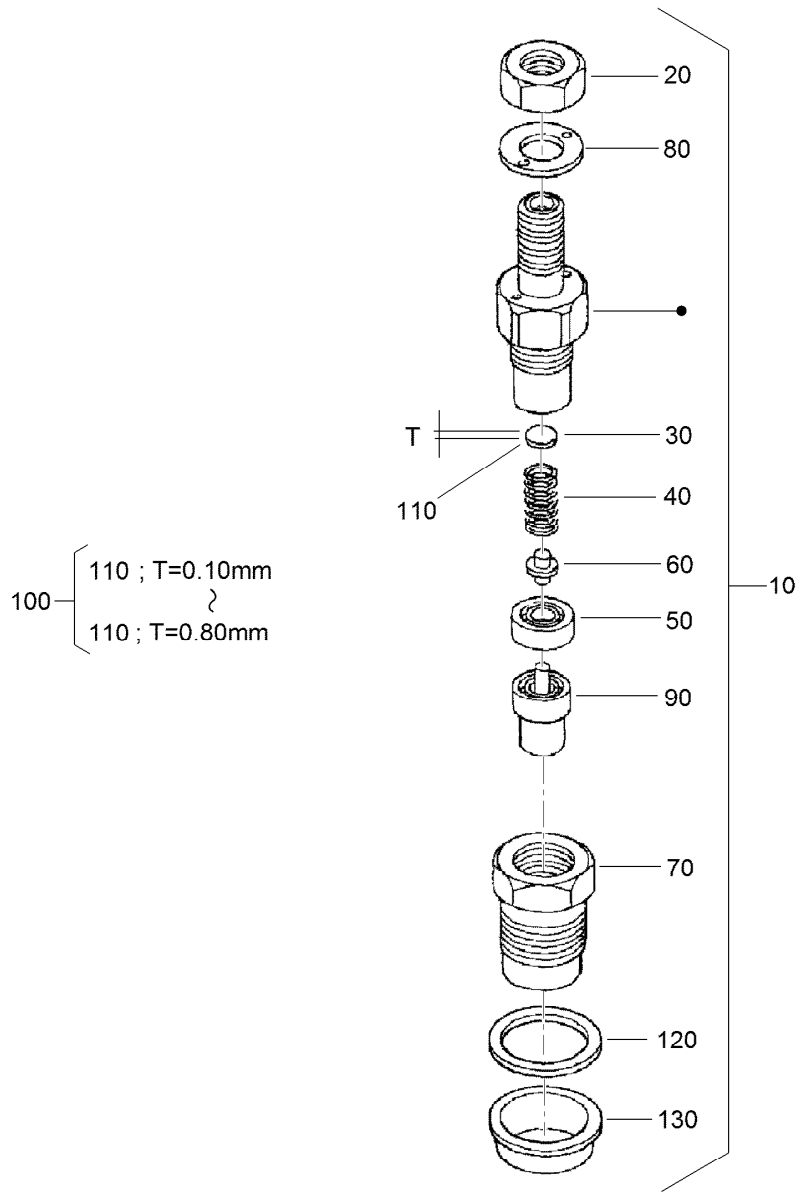
Speed Control Plate Assembly

Ref.	Part Number	Qty.	Description	Ref.	Part Number	Qty.	Description
10	105-3735	1	Control Plate ASM	120	98-9664	1	Shaft-Lever, Stop
20	98-9662	1	Lever-Control, Speed	130	98-9637	1	Gasket
30	98-9572	2	Lever-Control, Speed	140	98-7692	1	Bolt
40	105-3788	1	O-Ring	150	127-0401	1	Bolt-Hex
50	98-7602	2	Pin-Spring	160	98-7654	1	Gasket
60	98-9594	2	Washer-Plain	170	105-3710	2	Stud
70	98-9589	2	Nut	180	100-2203	2	Nut-Flange
80	98-9658	1	Governor Lever ASM	190	117-7565	2	Bolt-Adjusting
90	98-9663	1	Lever-Stop, Engine	200	117-7566	1	Bolt-Adjusting
100	98-7601	1	Seal-Oil	210	98-7572	3	Nut
110	98-9472	1	Spring-Return				



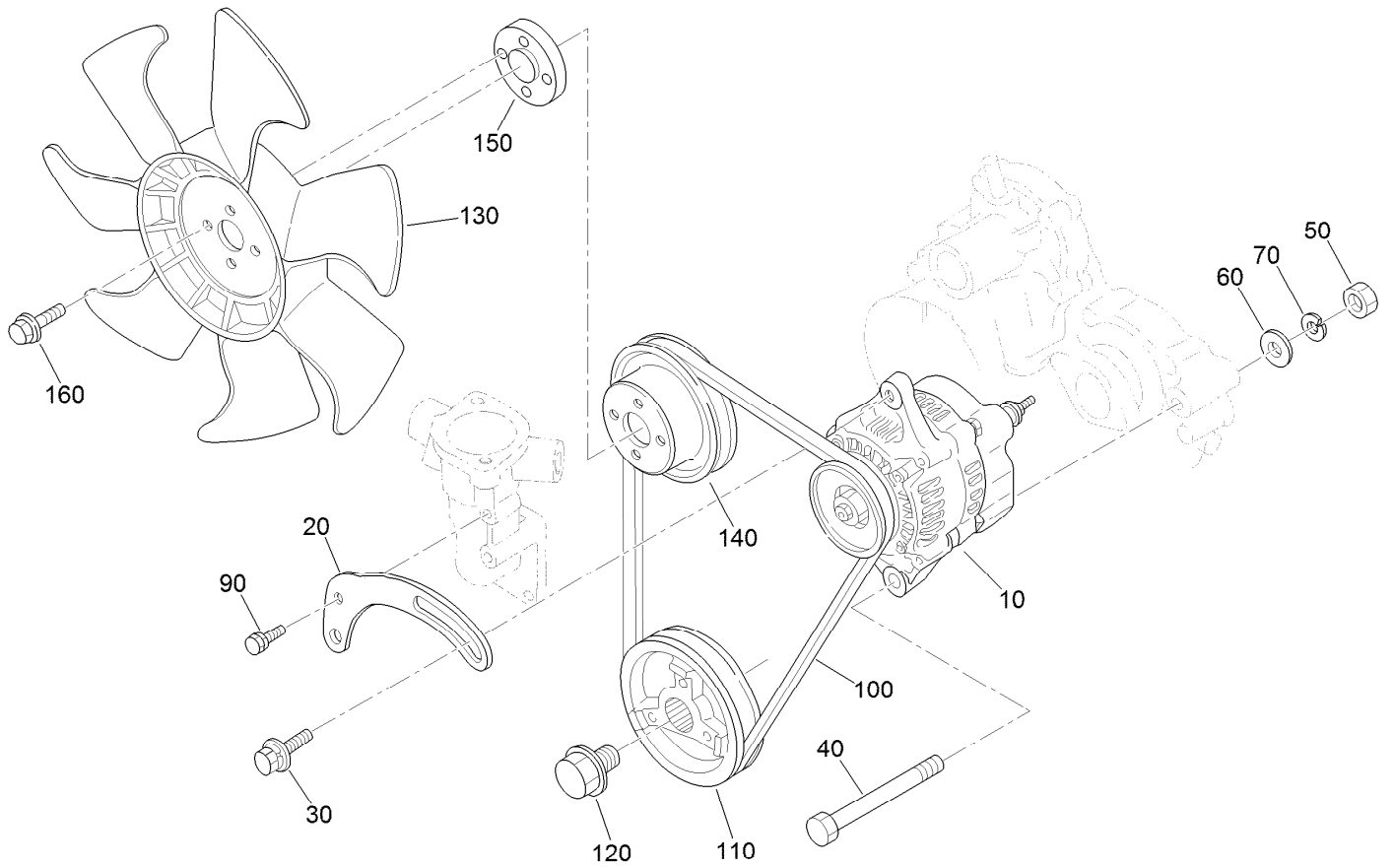
Nozzle Holder and Glow Plug Assembly

<i>Ref.</i>	<i>Part Number</i>	<i>Qty.</i>	<i>Description</i>	<i>Ref.</i>	<i>Part Number</i>	<i>Qty.</i>	<i>Description</i>
10	98-9620	1	Overflow Pipe ASM	90	98-9653	1	Pipe-Injection
20	98-9431	1	Screw-Bleeder, Air	100	98-9654	1	Pipe-Injection
30	98-7654	1	Gasket	110	98-9655	1	Pipe-Injection
40	98-9420	1	Overflow Pipe ASM	120	98-7682	2	Clamp-Pipe
45	112-0182	1	Pipe-Overflow	130	98-7683	2	Clamp-Pipe
50	98-7671	2	Clip-Pipe	140	98-7684	2	Screw (W/Washer)
60	115-3018	3	Nozzle Holder Kit	150	130-1411	3	Plug-Glow
65	121-2411	3	Nut	160	98-9631	1	Cord-Plug, Glow
70	98-7676	3	Gasket	170	99-8377	3	Nut-Flange
80	98-7677	3	Seal-Heat				



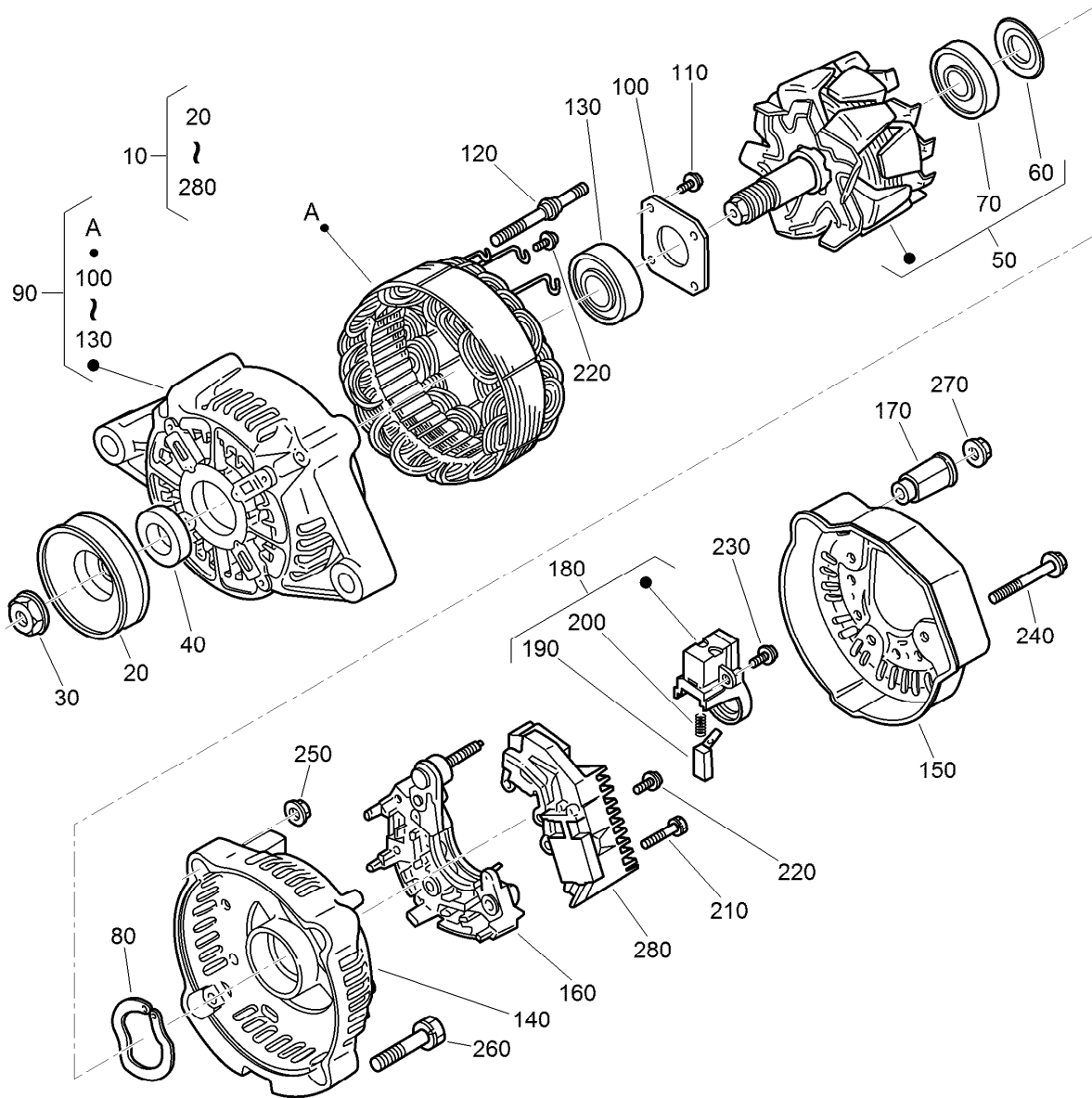
Nozzle Holder Assembly

<i>Ref.</i>	<i>Part Number</i>	<i>Qty.</i>	<i>Description</i>	<i>Ref.</i>	<i>Part Number</i>	<i>Qty.</i>	<i>Description</i>
10	115-3018	3	Nozzle Holder Kit	110	99-8311	3	Washer-Adjust (0.20Mm)
20	121-2411	3	Nut	110	99-8312	3	Washer-Adjust (0.30Mm)
30	99-8302	3	Washer-Adjusting	110	99-8313	3	Washer-Adjust (0.40Mm)
40	99-8303	3	Spring-Nozzle	110	99-8314	3	Washer-Adjust (0.50Mm)
50	99-8304	3	Spacer-Distance	110	99-8315	3	Washer-Adjust (0.52Mm)
60	99-8305	3	Rod-Push	110	99-8316	3	Washer-Adjust (0.54Mm)
70	99-8306	3	Nut-Nozzle	110	99-8317	3	Washer-Adjust (0.56Mm)
80	99-8307	3	Washer-Plain	110	99-8318	3	Washer-Adjust (0.58Mm)
90	115-3020	3	Piece-Nozzle	110	99-8319	3	Washer-Adjust (0.80Mm)
100	99-8309	3	Adjusting Washer ASM	120	98-7676	3	Gasket
110	99-8310	3	Washer-Adjust (0.10Mm)	130	98-7677	3	Seal-Heat



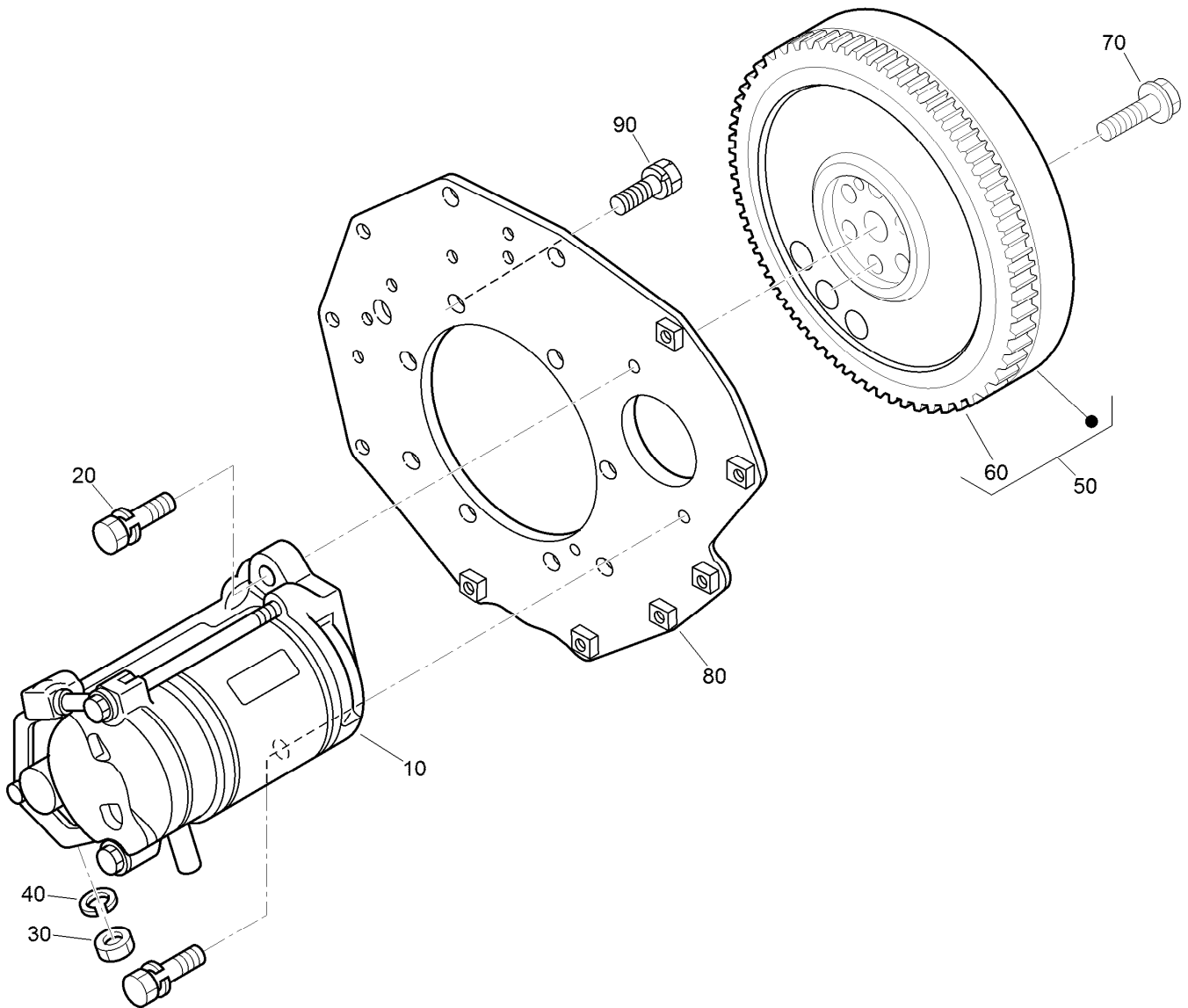
Alternator, Pulley and Fan Assembly

Ref.	Part Number	Qty.	Description
10	131-6557	1	Alternator ASM
20	112-7047	1	Stay-Dynamo
30	108-7088	1	Bolt
40	98-9360	1	Bolt
50	98-7737	1	Nut
60	98-9366	1	Washer-Plain
70	98-7738	1	Washer-Spring
90	98-7692	1	Bolt
100	98-9676	1	V-Belt
110	98-9473	1	Pulley-Drive, Fan
120	98-9585	1	Bolt
130	104-4246	1	Fan-Engine
140	110-0972	1	Pulley
150	108-2872	1	Collar-Fan
160	108-2873	4	Bolt-Flange



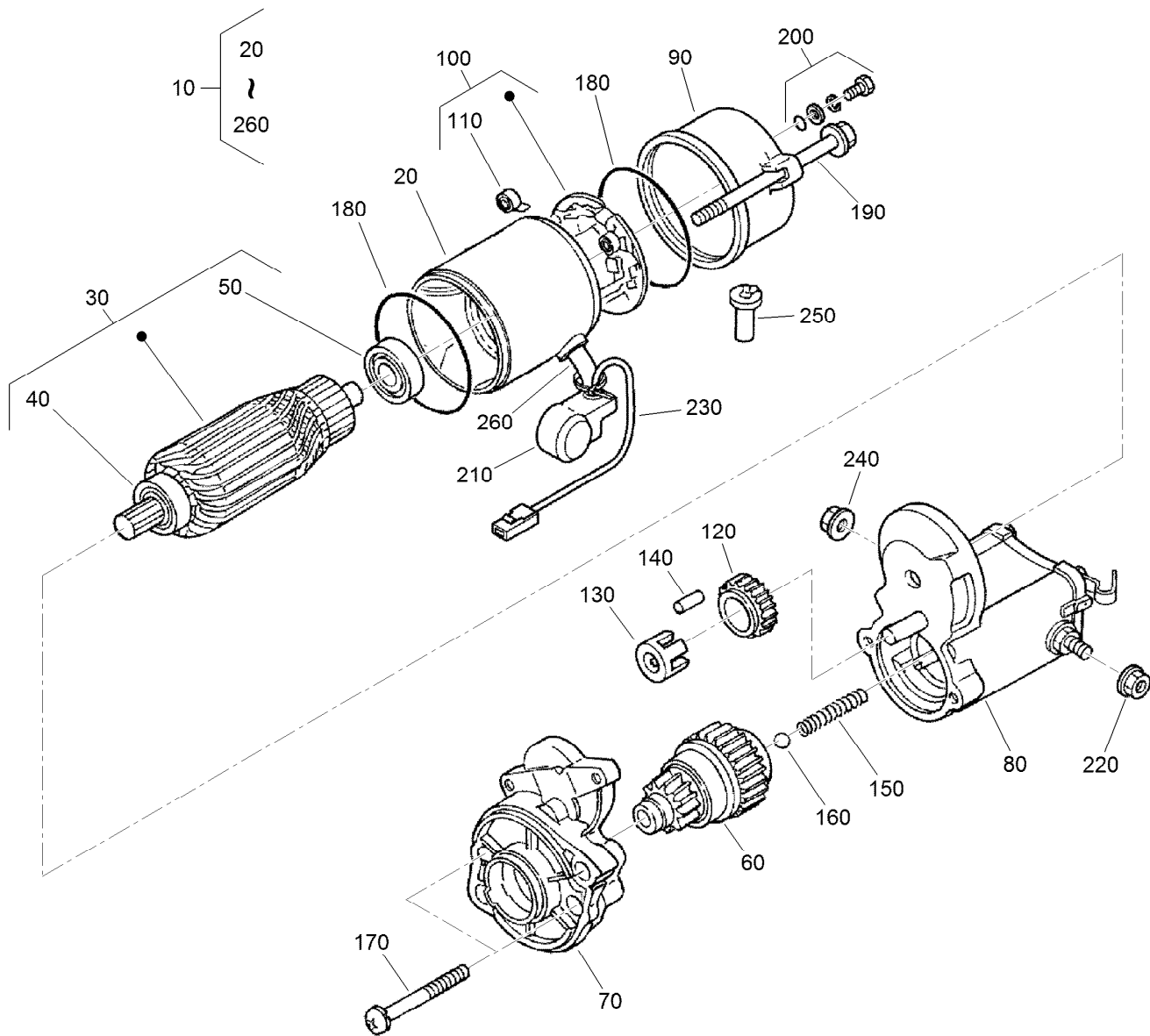
Alternator Assembly No. 131-6557

Ref.	Part Number	Qty.	Description	Ref.	Part Number	Qty.	Description
10	131-6557	1	Alternator ASM	150	107-0140	1	Cover-End
20	98-9453	1	Pulley-Dynamo	160	127-1612	1	Rectifier ASM
30	98-7708	1	Nut	170	98-7722	1	Bushing-Insulation
40	98-7709	1	Collar	180	107-0141	1	Brush Holder ASM
50	107-0136	1	Rotor ASM	190	98-7724	2	Brush
60	98-7711	1	Cover-Bearing	200	98-7725	2	Spring-Brush
70	107-0138	1	Bearing-Ball	210	98-7726	2	Screw-Head, Round
80	98-7713	1	Washer-Thrust	220	98-7727	6	Screw-Head, Round
90	107-0139	1	Drive End Frame ASM	230	98-7728	1	Screw-Head, Round
100	98-7715	1	Plate-Retainer	240	98-7729	3	Bolt
110	98-7716	4	Screw-Head, Round	250	98-7730	2	Nut
120	98-7717	2	Bolt-Through	260	98-7731	2	Bolt
130	133-2811	1	Bearing	270	98-7732	1	Nut
140	107-9087	1	Frame-End	280	110-3799	1	Regulator ASM



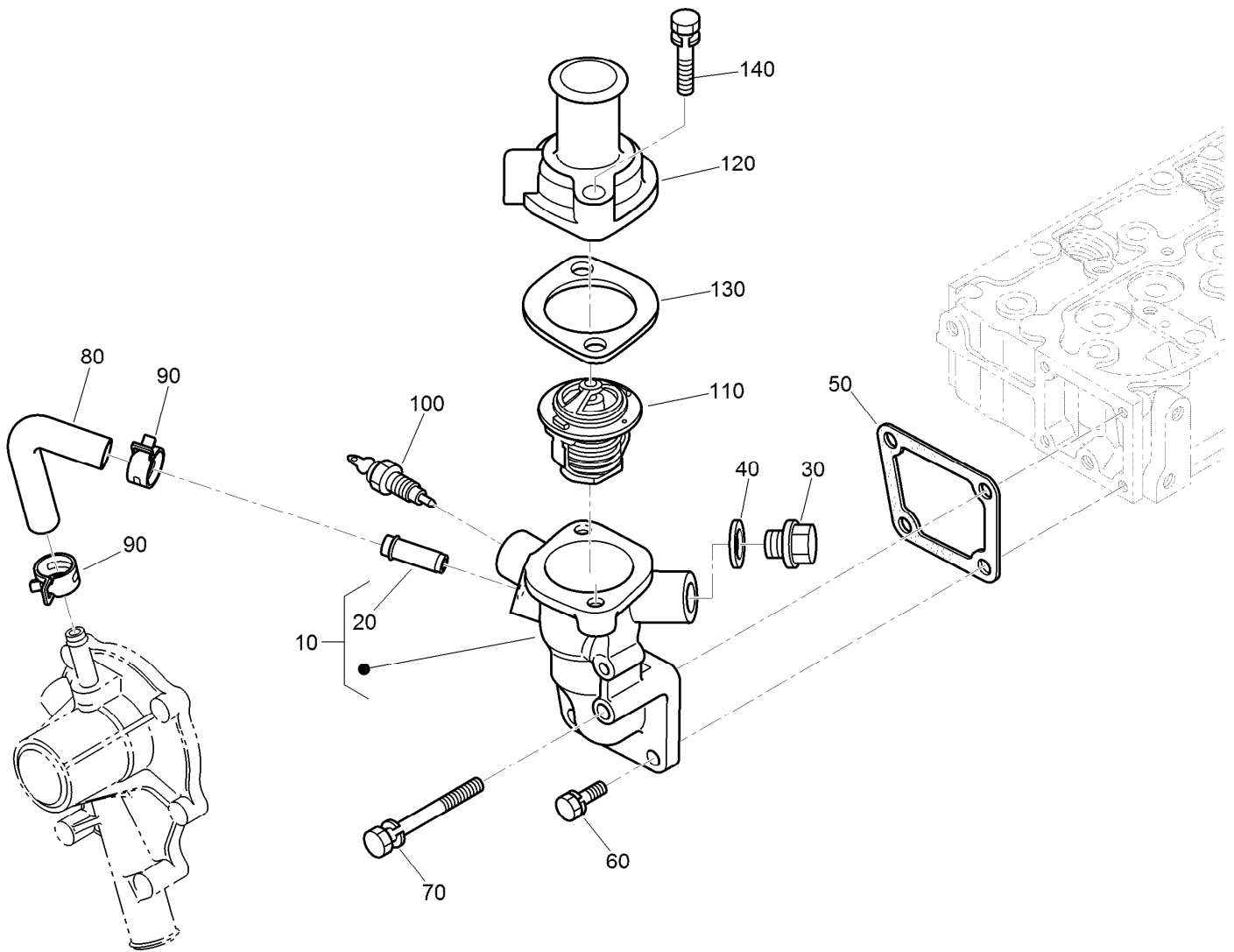
Starter and Flywheel Assembly

Ref.	Part Number	Qty.	Description
10	98-9705	1	Starter ASM
20	98-7697	2	Bolt
30	98-7739	1	Nut
40	105-2893	1	Washer-Spring
50	105-3784	1	Flywheel ASM
60	115-3015	1	Gear-Ring
70	98-9537	6	Bolt-Flywheel
80	98-9486	1	Plate-End, Rear
90	98-9392	8	Bolt



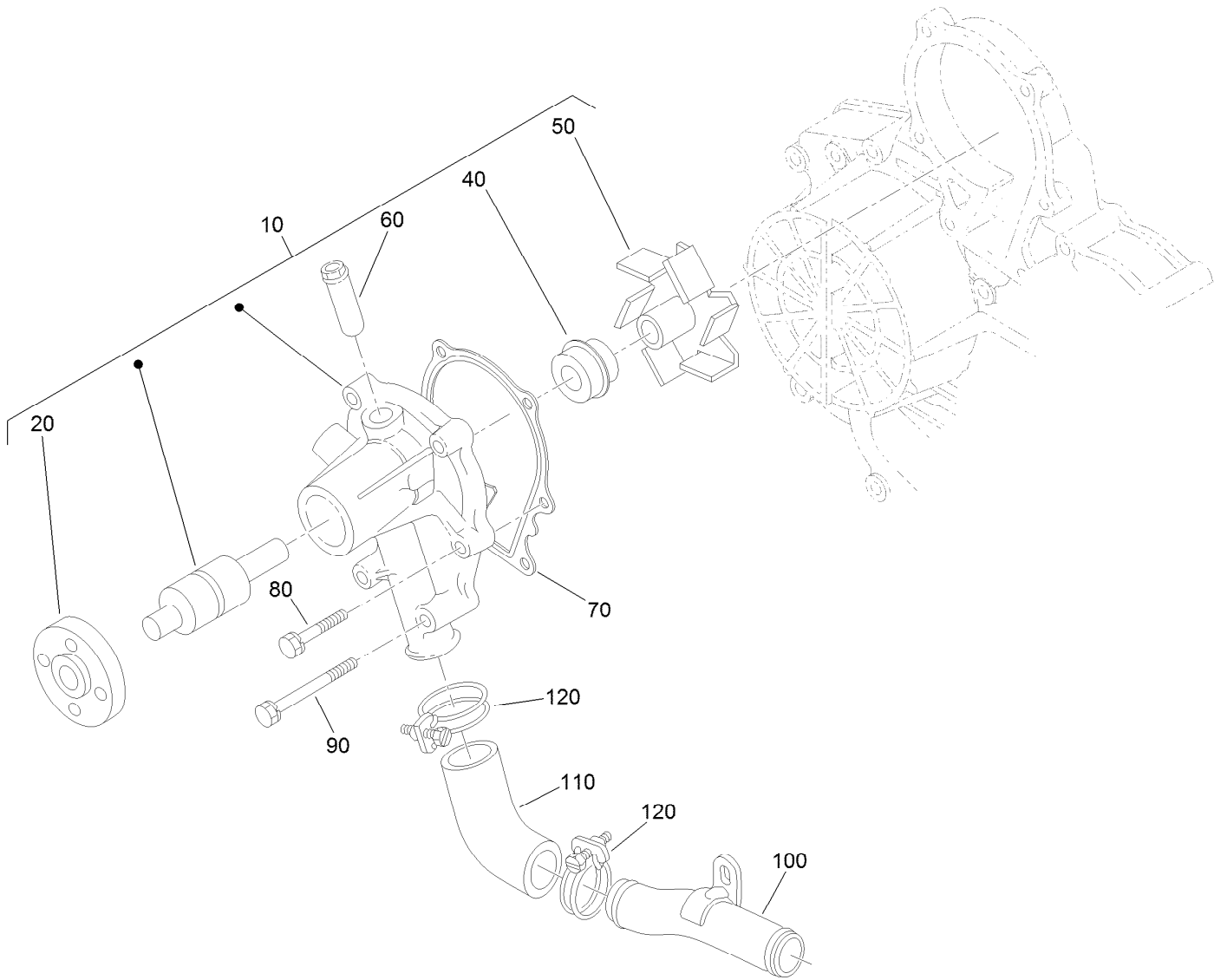
Starter Component Assembly

<i>Ref.</i>	<i>Part Number</i>	<i>Qty.</i>	<i>Description</i>	<i>Ref.</i>	<i>Part Number</i>	<i>Qty.</i>	<i>Description</i>
10	98-9705	1	Starter ASM	140	98-7753	5	Roller
20	104-8608	1	Yoke ASM	150	98-7754	1	Spring
30	98-7742	1	Armature ASM	160	98-7755	1	Ball
40	98-7744	1	Bearing	170	98-7756	2	Bolt
50	98-7743	1	Bearing	180	98-7757	2	O-Ring
60	99-8373	1	Clutch-Running, Over	190	100-9240	2	Bolt
70	99-8374	1	Frame-End, Drive	200	98-7758	2	Bolt ASM
80	105-3746	1	Magnetic Switch ASM	210	99-8375	1	Cover
90	98-7748	1	Frame-End	220	99-8371	1	Nut-Hex
100	98-7749	1	Brush Holder ASM	230	98-9711	1	Cord-Solenoid, Stop
110	98-7750	4	Spring-Brush	240	99-8376	1	Nut-Hex
120	98-7751	1	Gear	250	98-7759	1	Pipe-Drain
130	98-7752	1	Retainer	260	98-9712	1	Band-Cover



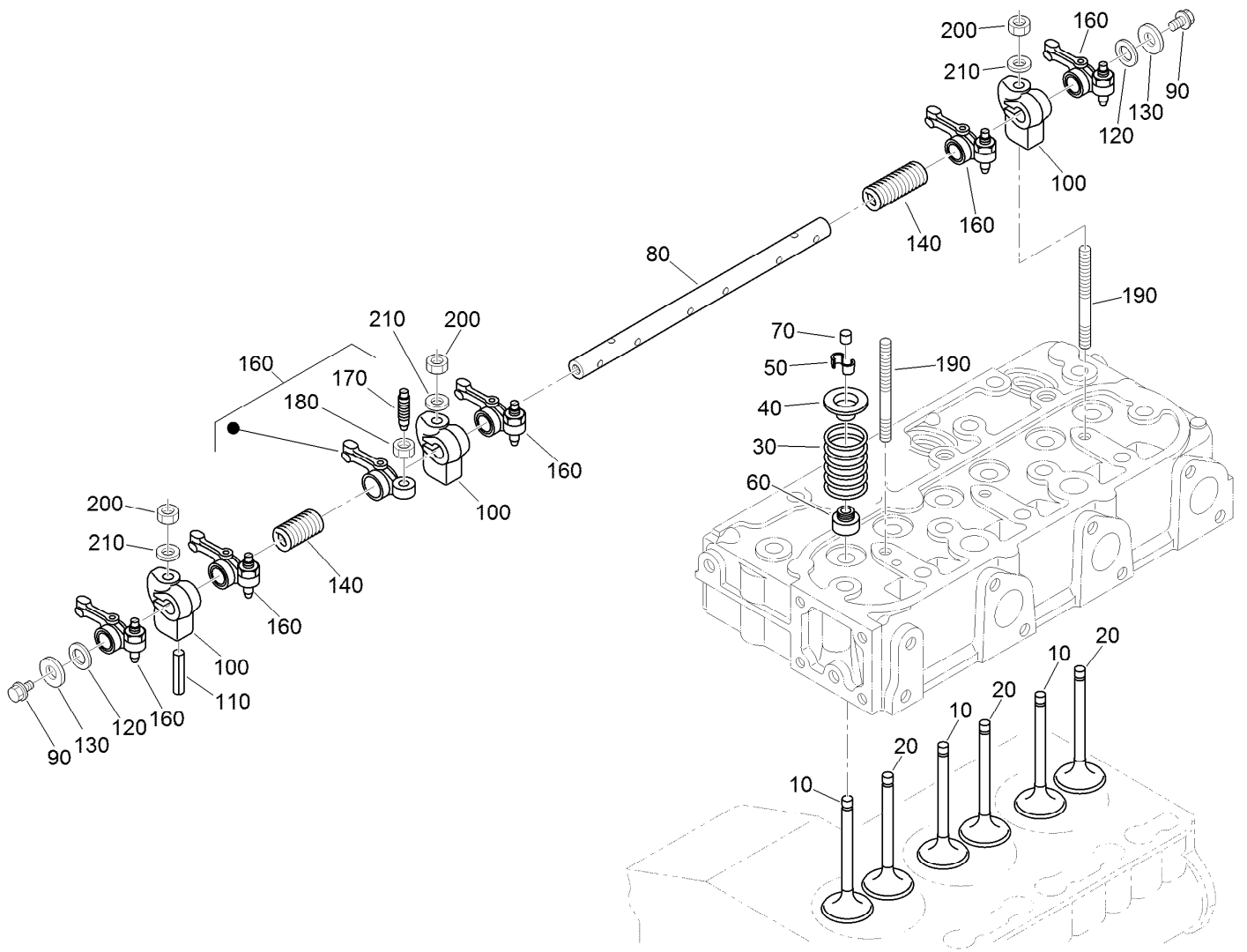
Water Flange and Thermostat Assembly

<i>Ref.</i>	<i>Part Number</i>	<i>Qty.</i>	<i>Description</i>
10	98-9713	1	Water Flange ASM
20	98-9580	1	Pipe-Return, Water
30	105-3747	1	Plug
40	99-3583	1	Gasket
50	98-9638	1	Gasket-Flange, Water
60	98-7692	3	Bolt
70	98-9356	1	Bolt
80	98-9578	1	Pipe-Return, Water
90	125-9078	2	Clamp-Hose
100	112-0183	1	Switch-Thermometer
110	98-7778	1	Thermostat ASM
120	98-9471	1	Cover-Thermostat
130	105-3748	1	Gasket-Thermostat
140	98-7777	2	Bolt



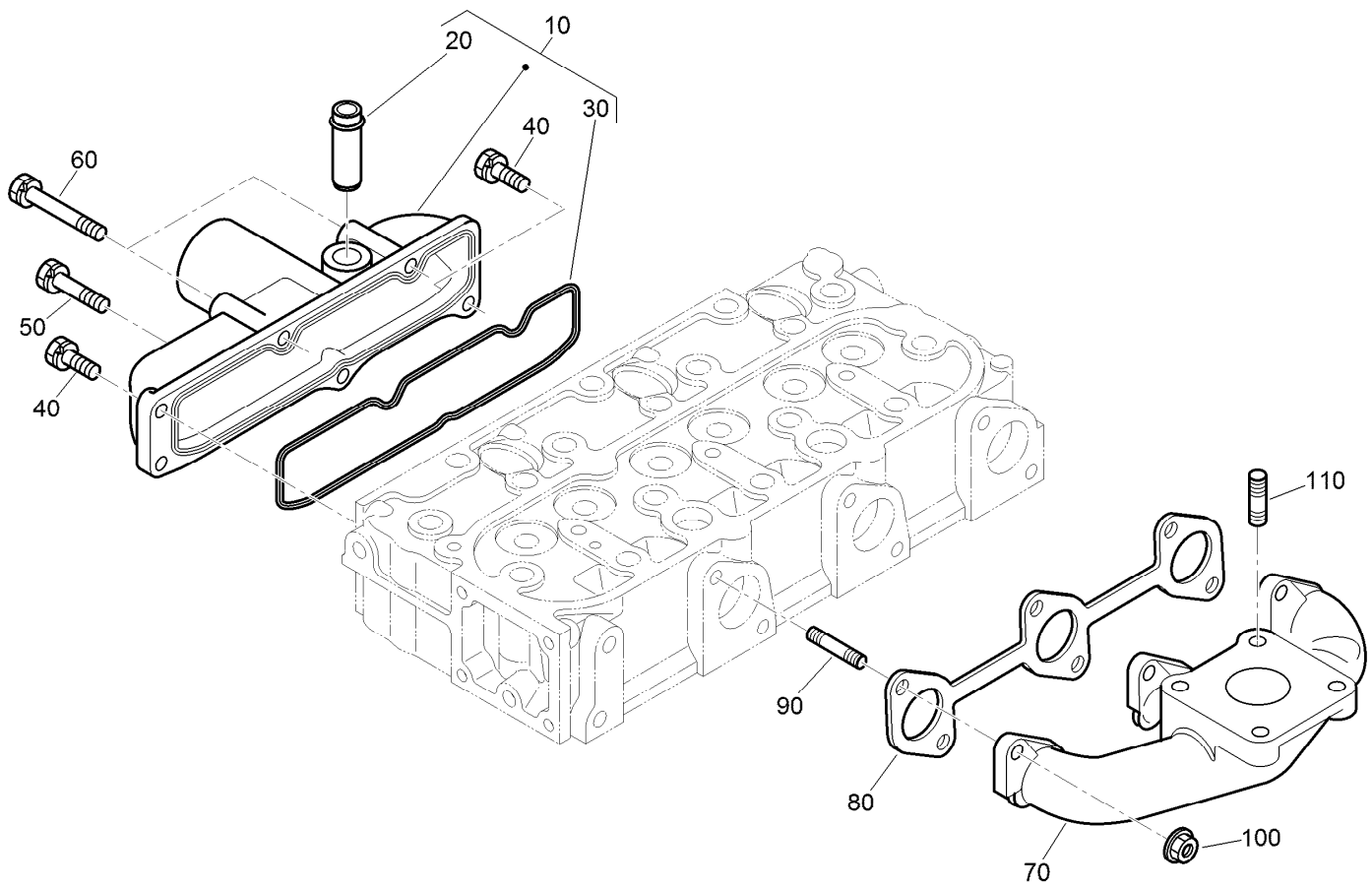
Water Pump Assembly

Ref.	Part Number	Qty.	Description
10	107-9089	1	Water Pump ASM
20	99-3516	1	Flange-Pump, Water
40	105-3750	1	Mechanical Seal ASM
50	112-7017	1	Impeller-Pump, Water
60	100-1932	1	Pipe-Return, Water
70	99-3454	1	Gasket-Pump, Water
80	98-9353	4	Bolt
90	107-9090	2	Bolt
100	98-9716	1	Pipe-Water
110	107-9091	1	Pipe-Water
120	127-0439	2	Clamp-Hose



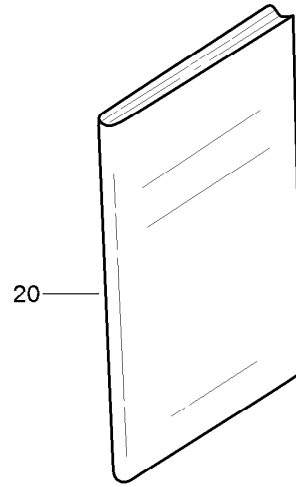
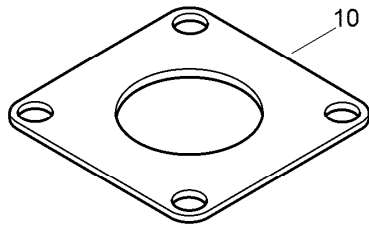
Valve and Rocker Arm Assembly

<i>Ref.</i>	<i>Part Number</i>	<i>Qty.</i>	<i>Description</i>
10	112-7018	3	Valve-Inlet
20	120-2564	3	Valve-Exhaust
30	98-9648	6	Spring-Valve
40	107-9092	6	Retainer-Spring
50	117-7572	6	Collet-Spring, Valve
60	99-8385	6	Seal-Stem, Valve
70	98-9497	6	Cap-Valve
80	130-1248	1	Shaft-Arm, Rocker
90	99-8363	2	Bolt-Flange
100	98-9505	3	Bracket-Arm, Rocker
110	105-3758	1	Pin-Spring
120	98-9507	2	Washer-Shaft, Rocker Arm
130	110-3832	2	Washer-Plain
140	98-9504	2	Spring-Arm, Rocker
160	112-7020	6	Rocker Arm ASM
170	98-9502	6	Screw-Adjusting
180	98-9503	6	Nut
190	98-9506	3	Stud
200	98-9393	3	Nut
210	98-9385	3	Washer-Flat



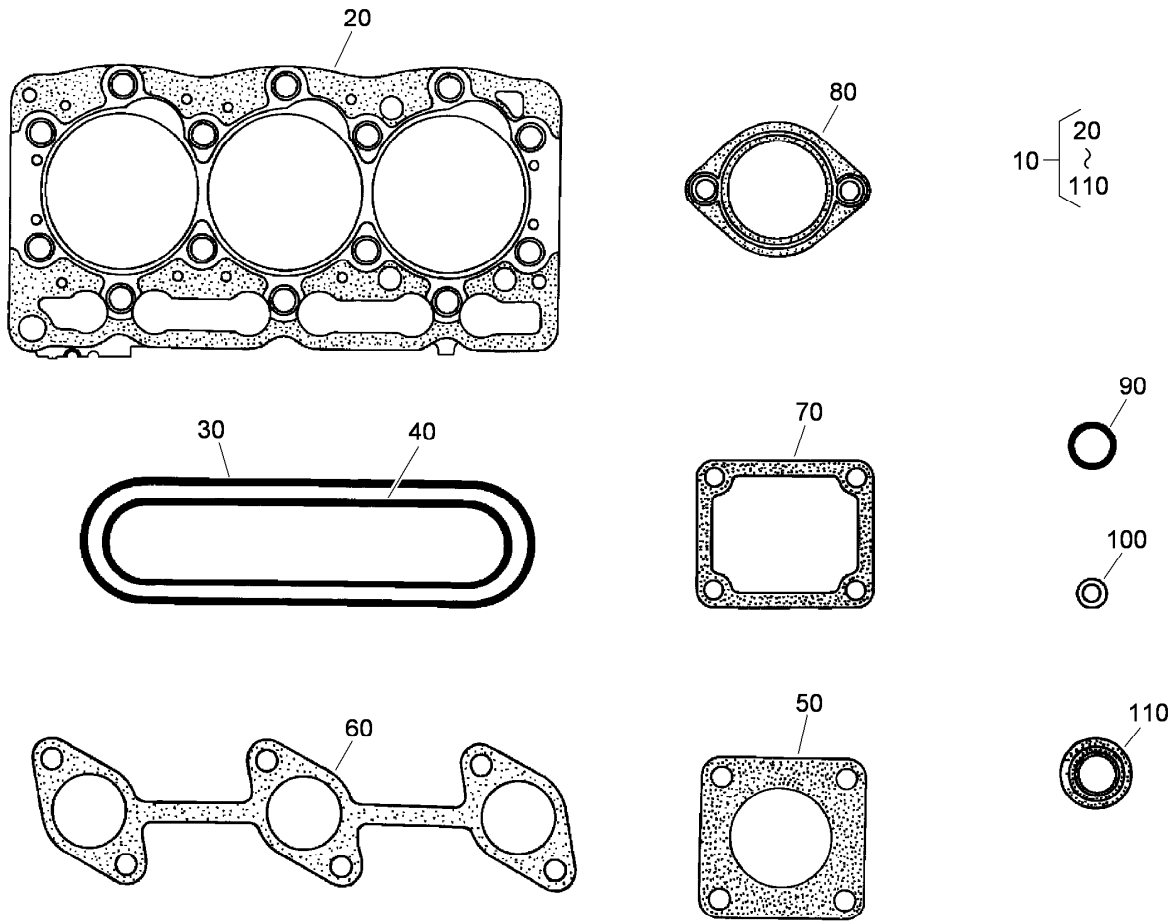
Inlet and Exhaust Manifold Assembly

<i>Ref.</i>	<i>Part Number</i>	<i>Qty.</i>	<i>Description</i>
10	108-6577	1	Inlet Manifold ASM
20	98-9492	1	Joint-Pipe, Breather
30	98-9609	1	Gasket-Manifold, Inlet
40	127-0403	3	Bolt-Flange
50	98-9353	1	Bolt
60	125-9063	2	Bolt-Sems
70	107-9093	1	Manifold-Exhaust
80	99-8327	1	Gasket-Manifold, Exhaust
90	98-9588	6	Stud
100	98-9665	6	Nut
110	98-7769	4	Stud



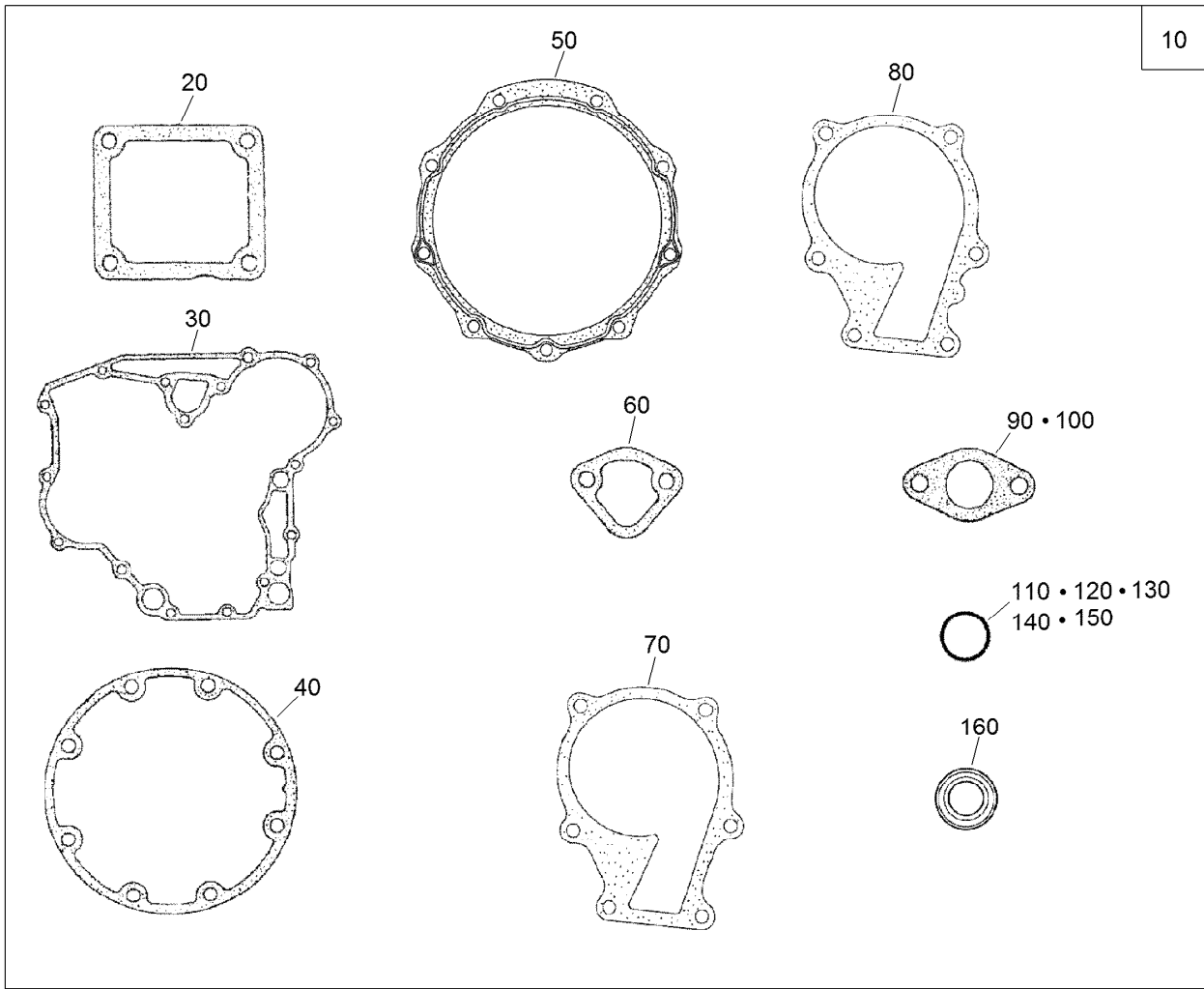
Miscellaneous Engine Parts

<i>Ref.</i>	<i>Part Number</i>	<i>Qty.</i>	<i>Description</i>
10	99-8343	1	Gasket-Muffler
20	130-1543	1	Manual-Operator



Upper Gasket Kit

<i>Ref.</i>	<i>Part Number</i>	<i>Qty.</i>	<i>Description</i>
10	107-7848	1	Upper Gasket Kit
20	108-6573	1	Gasket-Head, Cylinder
30	98-9615	1	Gasket-Cover, Head
40	98-9609	1	Gasket-Manifold, Inlet
50	99-8343	1	Gasket-Muffler
60	99-8327	1	Gasket-Manifold, Exhaust
70	98-9638	1	Gasket-Flange, Water
80	105-3748	1	Gasket-Thermostat
90	99-3446	2	O-Ring
100	98-9454	3	Gasket
110	99-8385	6	Seal-Stem, Valve



Lower Engine Gasket Kit

<i>Ref.</i>	<i>Part Number</i>	<i>Qty.</i>	<i>Description</i>
10	130-1364	1	Lower Gasket Kit
20	98-9637	1	Gasket
30	98-9633	1	Gasket-Case, Gear
40	131-6554	1	Gasket-Case, Bearing
50	112-7037	1	Gasket-Cover, Case
60	117-7562	1	Gasket-Pump, Fuel
70	98-9632	1	Gasket-Pump, Water
80	99-3454	1	Gasket-Pump, Water

<i>Ref.</i>	<i>Part Number</i>	<i>Qty.</i>	<i>Description</i>
90	98-9682	1	Gasket
100	98-9683	1	Gasket-Cover, Solenoid
110	105-3781	2	O-Ring
120	105-3777	2	O-Ring
130	105-3783	1	O-Ring
140	105-3776	1	O-Ring
150	105-3788	1	O-Ring
160	98-7601	1	Seal-Oil

Attachments and Accessories

For 30495 Groundsmaster 7200 Series Traction Unit

Product Name	Model/Part
Auxiliary Hydraulic Power Kit.....	30380
Auxiliary Power Unit.....	30382
Blade Crate (Snowplow), ATV Poly S	STB13567B
Tooth Rake	08751
Finish Grader.....	08754
Drag Mat Carrier System	08756
Steel Drag Mat.....	08757
Coco Drag Mat.....	08758
Premium Transmission/Hydraulic Tractor Fluid (55 Gallon Drum).....	108-1183
Premium Transmission/Hydraulic Tractor Fluid (5 Gallon Pail)	108-1184
Green Diesel Cap	107-2172
Yellow Hydraulic Cap	107-1576
5in Air Cleaner Safety Element	114-4057
Overflow Tank Kit.....	117-5570
Brake Service Kit	120-0015
Jack-Stand Kit	30483
Fender Kit	117-9170
Premium Engine Oil 15w40 (5 Gallon Pail)	121-6395
Polar Trac Cab.....	30474
Premium Engine Oil 15w40 (55 Gallon Drum)	121-6394
V-Plow Mounting Kit.....	30378
Polar Trac Kit	30675
48in V-Plow.....	30750
TÜV Kit - German Vehicle Serial Plate	02983
Plow Side Kit.....	MSC14175
TÜV Kit Instructions	111-5910
TÜV Kit Instructions	111-5243
TÜV Kit - Speed Decal 20kph	02980
Fuse-In Line.....	111-5101
CE Kit	30240
Blade-Belt Kit, 72in Side Discharge Deck	105-7272
Spark Arrestor Kit	112-1688
42-Pound Weight.....	114-4096
400-hour Filter Maintenance Kit.....	30052
Rear QAS	30812
60-Amp Alternator Kit, Kubota 05 Series-Powered Traction Unit	117-5540
Hitch Kit, Groundsmaster 7200/7210 Series Traction Unit with Kubota Engine	130-8717
Hitch Kit	130-8718
Wheel and Tire ASM	110-6406
Semi-Gloss Black Spray Paint	361-9
Weight Mount Bracket Kit	114-4090
Dark Metallic Gray Aerosol Paint	361-12
Weight Bracket Kit	125-2670
New Red Paint - Gallon	361-11
Universal Sunshade	30349
Air Dry Red Paint - Qt	5340

Attachments and Accessories (continued)

Tire-Lug	103-6771
Slow Moving Vehicle Kit.....	114-4050
North American Road Light Kit	30374
Recycler Kit, 60in Side Discharge Deck.....	30348
CE Kit, Grass Collection System.....	117-9249
60in Side Discharge Mower	30456
Baffle, Blower Housing	30658
Blade-Belt Kit.....	105-7270
62in Rear Discharge Completion Kit	30463
62in Guardian Recycler Completion Kit	30306
62in Rotary Mower.....	30457
62in CE Mower Cover Kit.....	30683
Blade-Belt Kit, 72in Guardian Only	105-7271
72in Rear Discharge Completion Kit	30466
72in Guardian Recycler Completion Kit	30304
72in Guardian Fine Recycler Completion Kit	30346
72in Base Deck.....	30353
72in Guardian and Rear Discharge CE Mower Cover Kit	30685
Leaf Mulching Kit	108-5273
Recycler Kit, 72in Side Discharge Deck.....	30347
Striping Kit	105-7273
72in Side Discharge Deck.....	30481
72in Side Discharge Mower (CE).....	30354
CE Kit, 72in Side Deck With French Guards	30679
100in Rear Discharge Deck	31101
Adapter Kit for 100in Rear Discharge Deck.....	31104
Leaf Mulching Kit for 100in Rear Discharge Deck	31105
100in CE Mower Cover Kit.....	30687



Count on it.