



**Count on it.**

**Parts Catalog**

**Workman® GTX Lithium Utility Vehicle**

Model No. 07413TC—Serial No. 407700000 and Up



# Ordering Replacement Parts

To order replacement parts, please supply the part number, the quantity, and the description of each part desired.

## Understanding Reference Numbers

Each identified part in an illustration has a reference number. The reference number for a part also appears in the parts list, along with other information about the part.

This catalog uses two special reference number formats, one to indicate parts in a service assembly and another to indicate the quantity of a given part in an illustration.

## Service Assembly Reference Numbers

Parts in service assemblies have reference numbers in the form a:b. The a represents the reference number of the entire service assembly and the b represents a sequential number unique to each part within the service assembly.

For example, a wheel assembly might be identified by reference number 6, the tire by 6:1, the valve by 6:2, and the wheel by 6:3. When you order the assembly identified by reference number 6, you receive all parts identified by reference numbers 6:1, 6:2, and 6:3. However, you may also order any part individually. Reference numbers of this type appear in illustration and in parts lists.

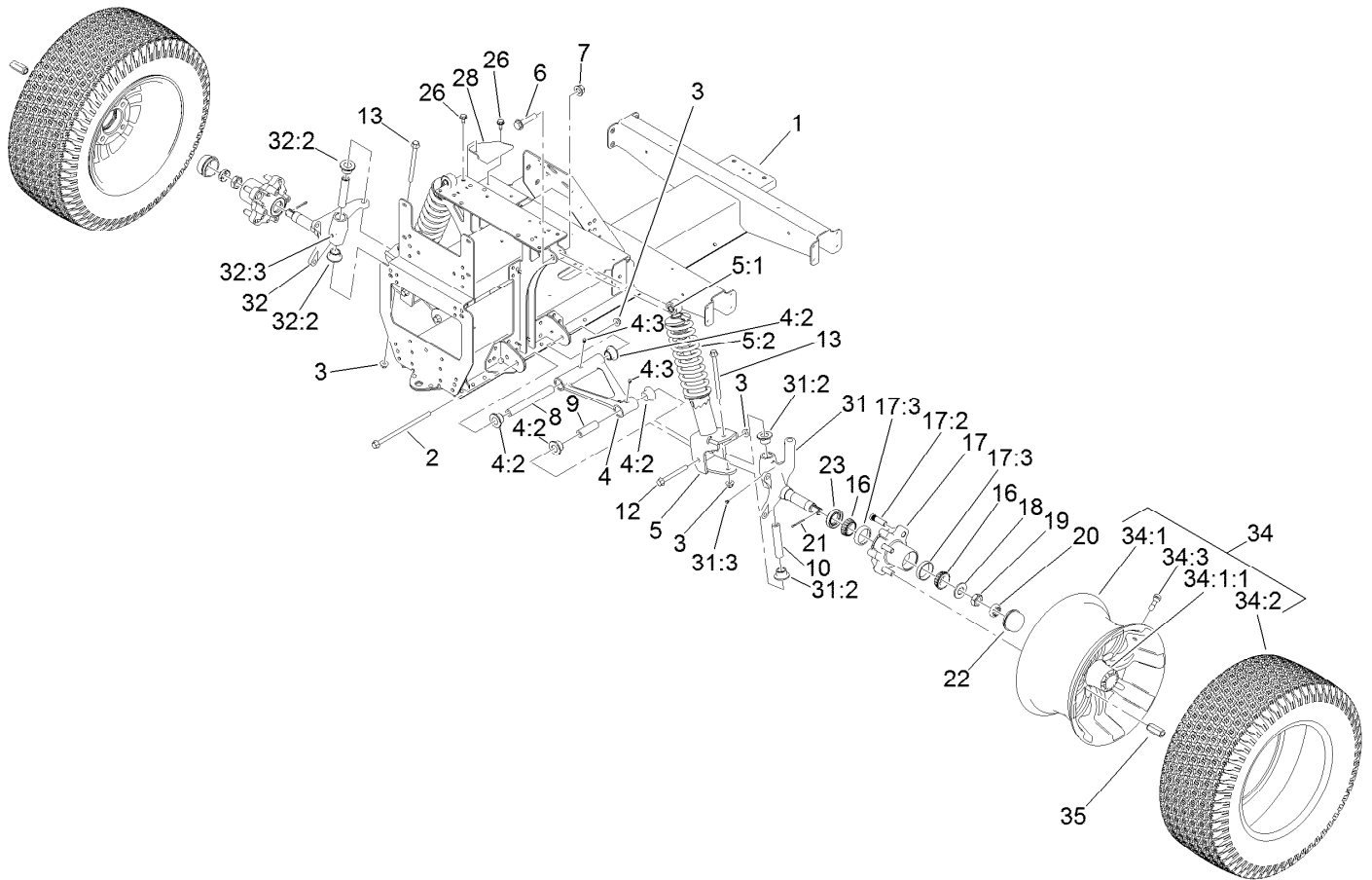
## Reference Numbers Indicating Quantity

In an illustration, if a reference number indicates more than one part, the reference number has the form nX y. The n represents the quantity of the part, the X is the multiplication symbol, and the y represents the reference number.

For example, in an illustration, the reference number 2X 37 means that two of the parts identified by reference number 37 are indicated.

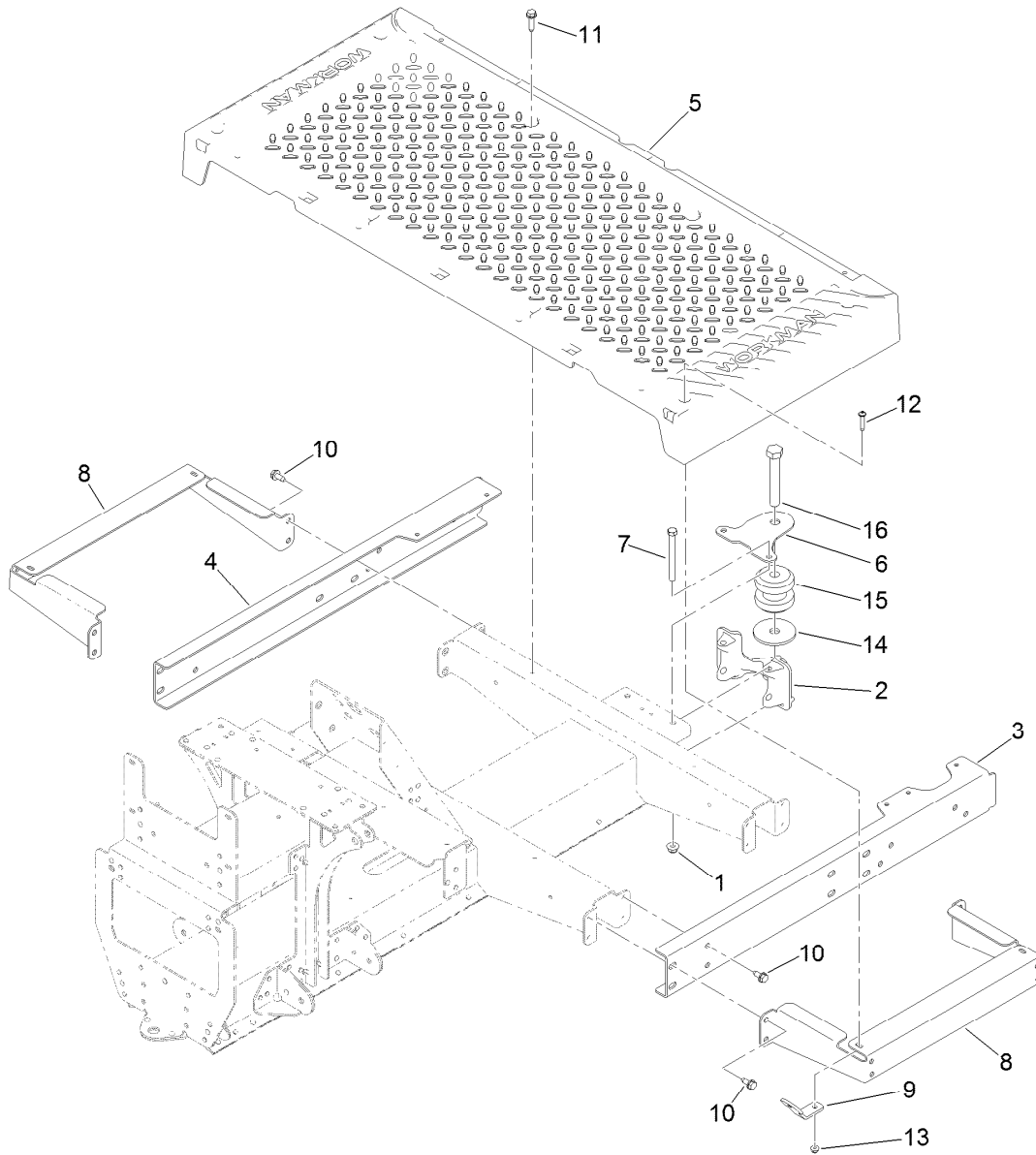
# Contents

Front Frame and Suspension Assembly . . . . .	4
Floor Plate and Rear Suspension Mount Assembly . . . . .	5
Rear Frame and Suspension Assembly . . . . .	6
Frame Mount and Rear Shock/Spring Assembly . . . . .	7
Brake Assembly . . . . .	8
Master Cylinder Assembly No. 104-6782 . . . . .	9
Brake Caliper Assembly No. 140-2575 . . . . .	10
Steering Assembly . . . . .	11
Pedal and Control Assembly . . . . .	12
Hood and Fender Assembly . . . . .	13
Dash Assembly . . . . .	14
Seatbase Assembly . . . . .	15
Cargo Bed Assembly . . . . .	16
Controller and Charger Assembly . . . . .	17
Accelerator Pedal and Horn Assembly . . . . .	19
Battery Cable Assembly . . . . .	20
Rear Wheel and Transaxle Assembly . . . . .	21
Transaxle Assembly No. 136-6340 . . . . .	22
Electric Motor Assembly No. 137-6936 . . . . .	23
Battery Assembly No. 04070 . . . . .	24
Attachments and Accessories . . . . .	25



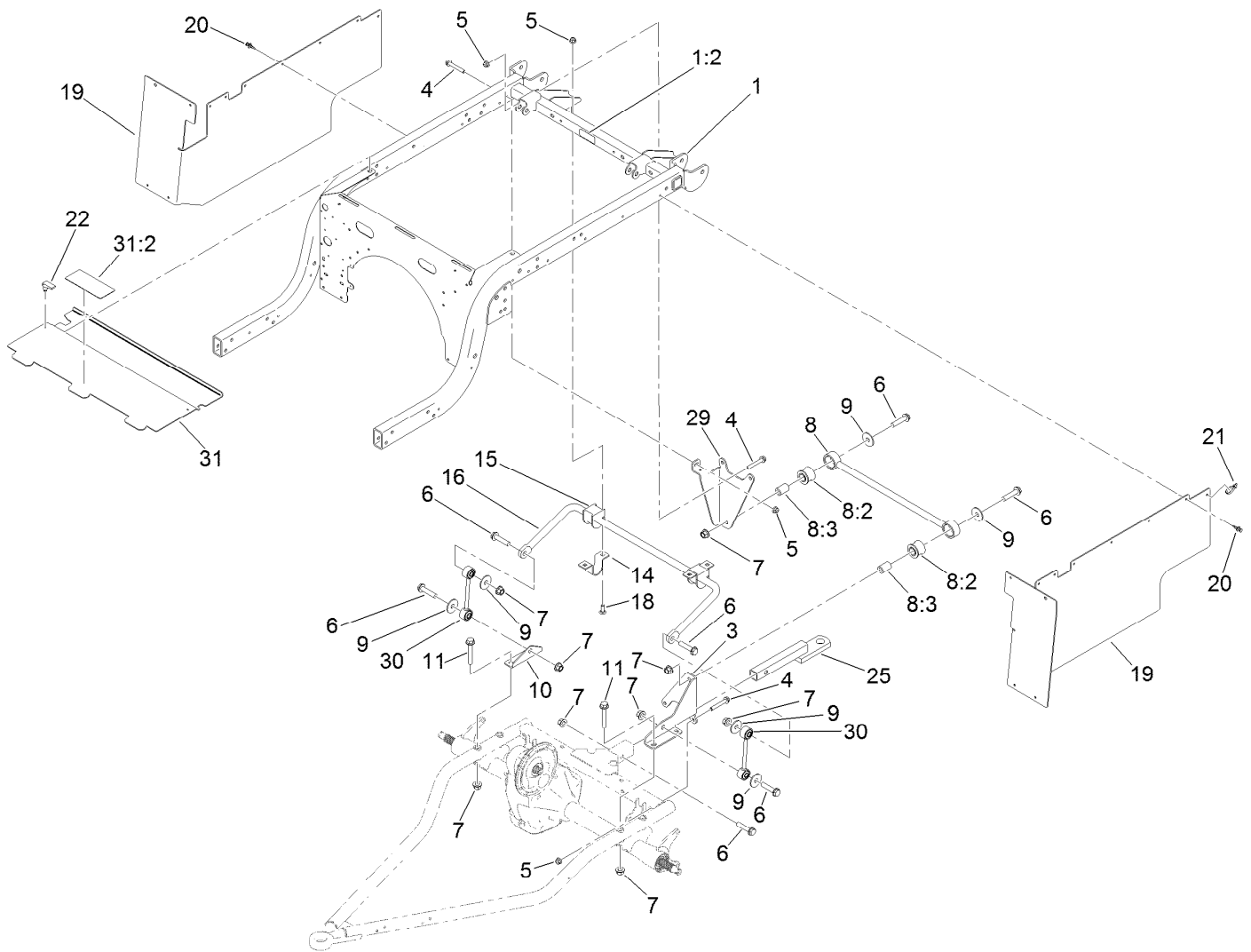
## Front Frame and Suspension Assembly

Ref.	Part Number	Qty.	Description	Ref.	Part Number	Qty.	Description
1	127-7718-03	1	Frame-Front	18	93-0309	2	Washer-Tab
2	139-3360	2	Screw-HF	19	3220-7	2	Nut-Jam
3	139-3380	6	Nut-HF	20	93-0307	2	Nut-Lock, Retainer
4	144-2161	2	Control Arm ASM	21	3272-12	2	Pin-Cotter
4:2	140-4615	4	Bushing-Flange	22	241-119	2	Cap-Dust
4:3	144-2159	2	Plug-Taper Self Forming	23	112-1690	2	Seal-Oil
5	139-4484	2	Strut ASM, 250 Lb (16.33" EXT Length)	26	32144-70	2	Screw-HWHTF
5:1	131-8574	1	Isolator-Shock	28	131-8339-03	1	Reinforcement-Tower
5:2	137-6719	1	Spring-Compression, 250Lb	31	144-2164	1	Spindle ASM, LH
6	3234-46	2	Screw-HHF	31:2	140-4615	2	Bushing-Flange
7	99-5107	2	Nut-Lock	31:3	144-2159	1	Plug-Taper Self Forming
8	131-8581	2	Sleeve-Control Arm, Inner	32	144-2165	1	Spindle ASM, RH
9	131-8583	2	Sleeve-Control Arm, Outer	32:2	140-4615	2	Bushing-Flange
10	131-8582	2	Sleeve-Kingpin	32:3	144-2159	1	Plug-Taper Self Forming
12	139-3370	2	Screw-HF	34	139-4649	2	Aluminum Whl And Tire ASM
13	139-3350	2	Screw-HF	34:1	139-4601	1	Wheel-Aluminum
16	254-94	4	Bearing-Cone, Tapered	34:1:1	140-4570	1	Cap-Aluminum Wheel
17	127-8851	2	Front Hub ASM	34:2	120-3271	1	Tire
17:2	10-6830	4	Stud-Type, Drive	34:3	232-27	1	Stem-Valve
17:3	254-72	2	Bearing-Cup, Tapered	35	139-3603	8	Nut-Lug



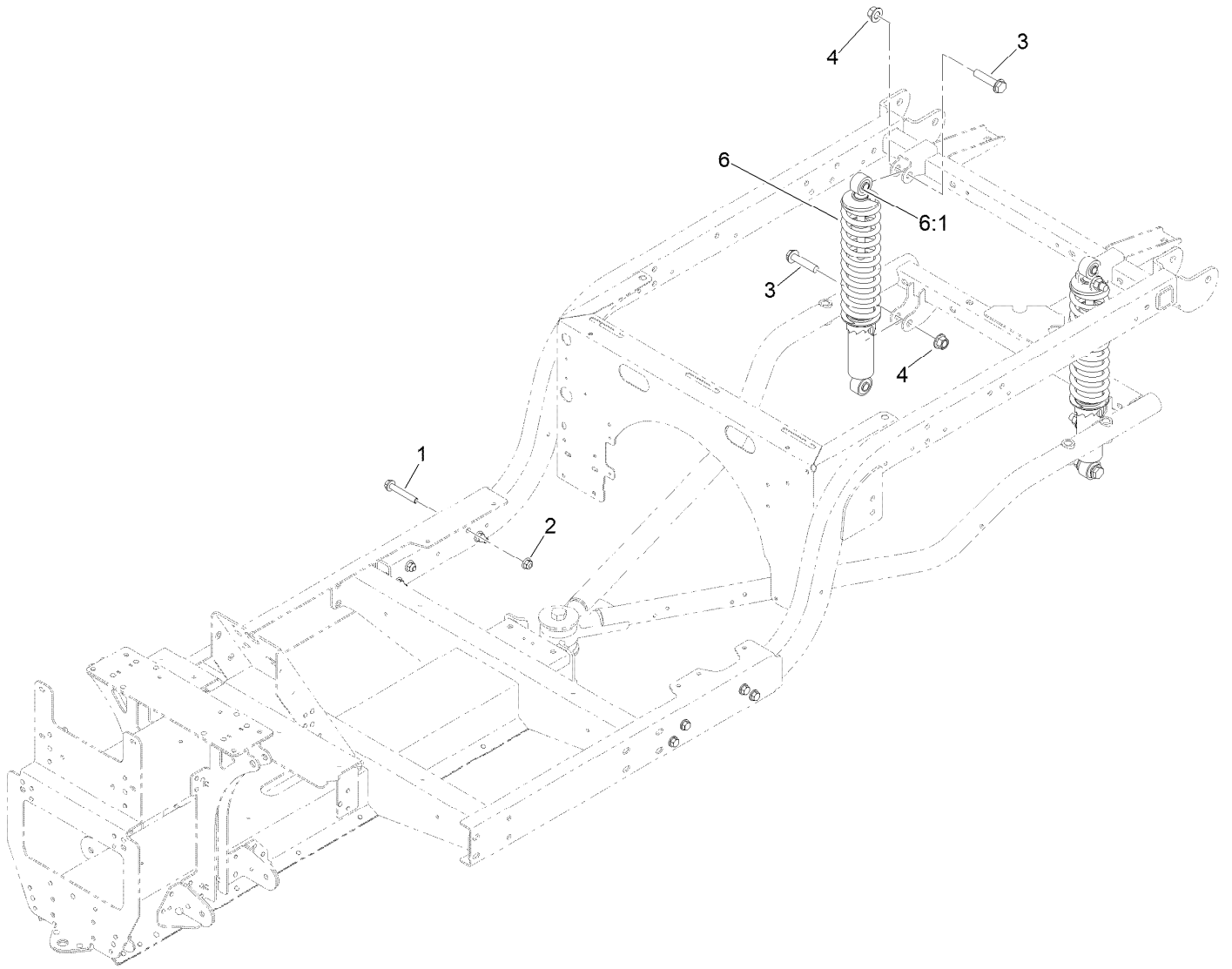
## Floor Plate and Rear Suspension Mount Assembly

Ref.	Part Number	Qty.	Description	Ref.	Part Number	Qty.	Description
1	104-8301	2	Nut-HF, NI	9	127-7832	2	Bracket-Angle
2	131-8466	1	Mount-Suspension, Rear	10	32144-70	16	Screw-HWHTF
3	127-7820-03	1	Channel-Frame, Front (LH)	11	32144-49	4	Screw-HWHTF
4	127-7821-03	1	Channel-Frame, Front (RH)	12	132-6777	4	Screw-TTH
5	127-7829	1	Plate-Floor	13	104-7201	4	Nut-HF
6	131-8597	1	Plate-Gimbal, Upper	14	110-4549	1	Washer-Snubbing
7	323-42	2	Screw-HH	15	131-8480	1	Isolator
8	127-7837-03	2	Bracket-Support, Floor Plate	16	104-5877	1	Screw-HH



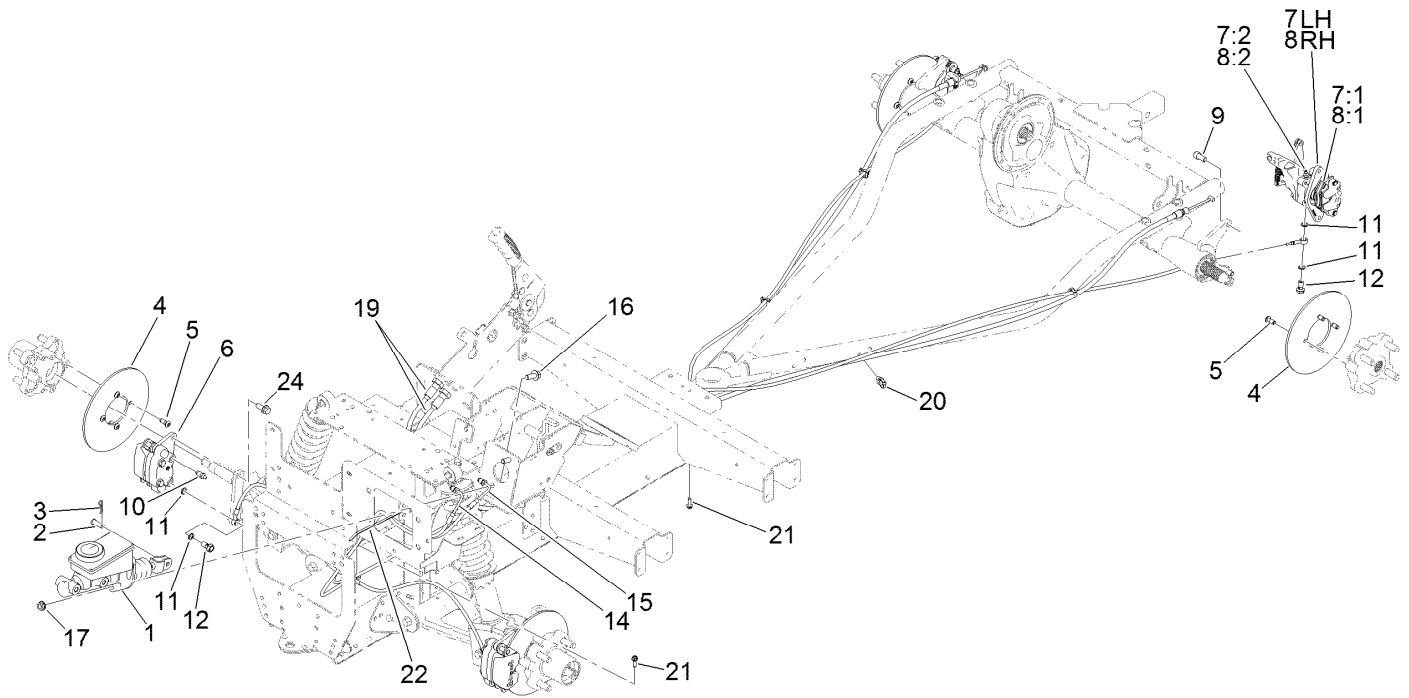
## Rear Frame and Suspension Assembly

<i>Ref.</i>	<i>Part Number</i>	<i>Qty.</i>	<i>Description</i>	<i>Ref.</i>	<i>Part Number</i>	<i>Qty.</i>	<i>Description</i>
1	140-2498	1	Rear Frame ASM	14	139-4644	2	Clamp, Anti-Sway Bar
1:2	115-2047	1	Decal-Surface, Hot	15	87-3910	2	Bushing-Rubber
3	127-7411-03	1	Bracket-Bar, Stabilizer	16	131-8310-03	1	Bar-Sway, Anti
4	3234-39	5	Screw-HHF	18	3231-22	4	Screw-CARR
5	104-8301	9	Nut-HF, NI	19	131-8346	2	Panel-Side
6	3234-46	7	Screw-HHF	20	125-9622	20	Rivet-Blind
7	99-5107	11	Nut-Lock	21	3290-378	2	Tie-Cable
8	109-5013	1	Panhard Rod ASM	22	74-5950	2	Latch-Swell
8:2	109-5009	2	Bushing-Suspension, Rubber	25	137-6741	1	Ball Mount ASM
8:3	109-5010	2	Spacer	29	139-4648-03	1	Bracket-Stabilizer Bar [black]
9	86-1990	6	Washer-Thrust	30	139-4606	2	Link ASM-Sway Bar
10	131-8315	1	Bracket-Link, Sway Bar	31	140-4573	1	Extended Panel-Cover
11	3234-40	4	Screw-HF	31:2	99-7345	1	Decal-Warning



## Frame Mount and Rear Shock/Spring Assembly

<i>Ref.</i>	<i>Part Number</i>	<i>Qty.</i>	<i>Description</i>
1	3234-39	8	Screw-HHF
2	104-8301	8	Nut-HF, NI
3	3234-46	4	Screw-HHF
4	99-5107	4	Nut-Lock
6	139-4608	2	Shock/Spring ASM
6:1	131-8574	2	Isolator-Shock



## Brake Assembly

Ref.	Part Number	Qty.	Description	Ref.	Part Number	Qty.	Description
1	104-6782	1	Master Cylinder ASM	8:3	136-6328	2	Spring-Rattle, Anti ●
2	283-2	1	Pin-Clevis	9	131-8573	4	Screw-HSH
3	1-806003	1	Pin-Cotter	10	119-9509	2	Screw-Bleed
4	139-4474	4	Rotor-Brake	11	115-2341	8	Washer-Banjo
5	121-9671	16	Screw-HSBH	12	120-4875	4	Bolt-Flange, Banjo
6	140-2575	2	Brake Caliper ASM	14	127-7781	1	Brake Line-Front
7	140-2585	1	Brake Caliper ASM, LH	15	127-7782	1	Brake Line-Rear
7:1	140-2595	1	Brake Pad Service Kit (Rear, Qty 4)	16	3234-11	2	Screw-HHF
7:2	119-9509	1	Screw-Bleed	17	3290-357	2	Nut-HHF, Whiz
7:3	136-6328	2	Spring-Rattle, Anti ●	19	131-8406	2	Cable-Park Brake
8	140-2590	1	Brake Caliper ASM, RH	20	32180-030	4	Clip-Tie
8:1	140-2595	1	Brake Pad Service Kit (Rear, Qty 4)	21	49-2040	2	Screw-HWHTF
8:2	119-9509	1	Screw-Bleed	22	3290-378	1	Tie-Cable
				24	3234-25	4	Screw-HHF

● Not illustrated





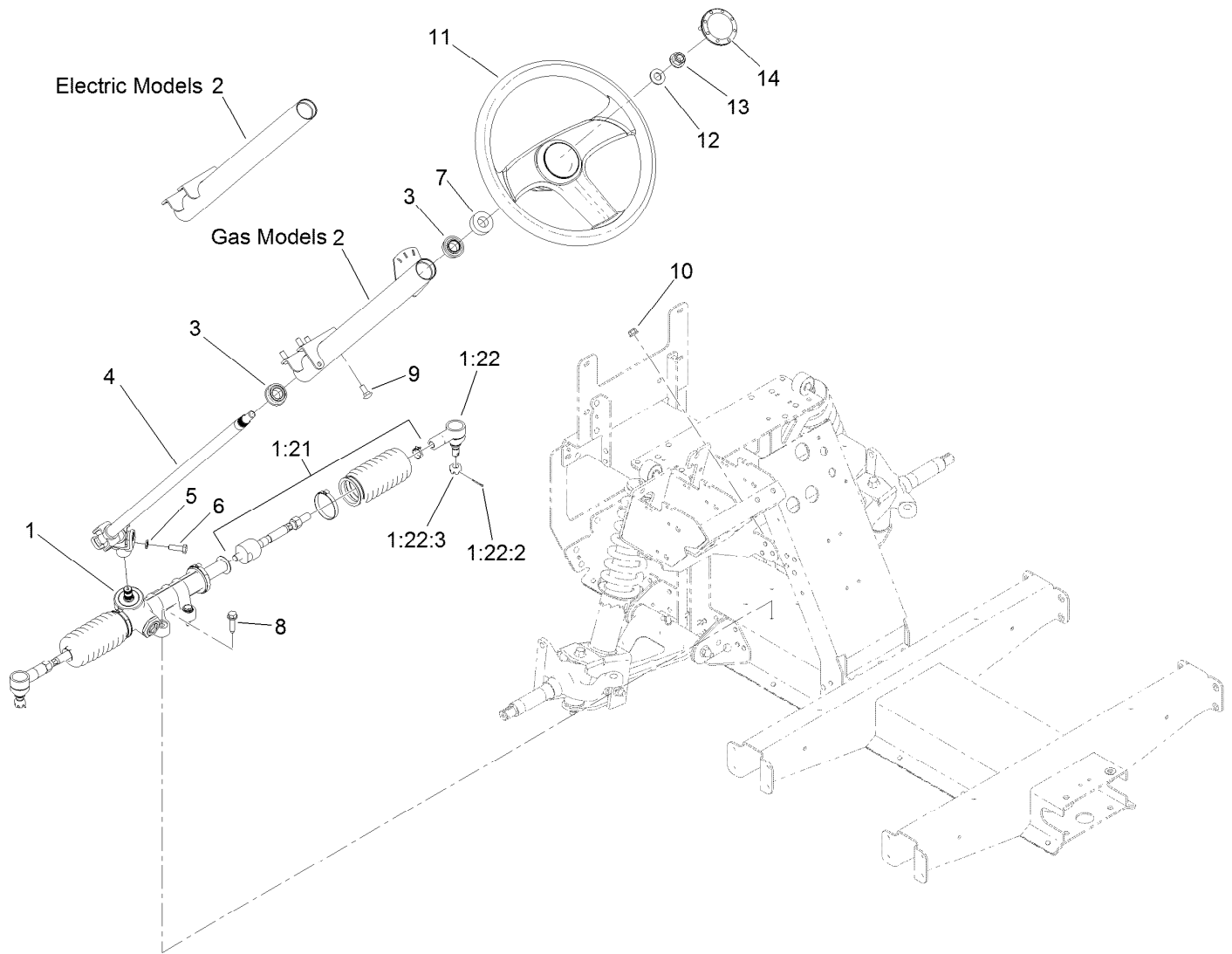
## Master Cylinder Assembly No. 104-6782

Ref.	Part Number	Qty.	Description
1	104-6845	1	Reservoir ASM
1:1	92-4112	1	Cap ASM
2	93-8971	2	Seal-Port, Flange
3	92-4103	1	Pin-Stop
4	92-4102	1	Secondary Piston ASM
5	92-4110	1	Clevis
6	21-0360	1	Nut-Hex
7	94-5209	1	Cover-Dust
8	94-5210	1	Rod-Push
9	92-4109	1	Ring-Snap
10	92-4108	1	Retainer-Washer
11	92-4101	1	Primary Piston ASM



## Brake Caliper Assembly No. 140-2575

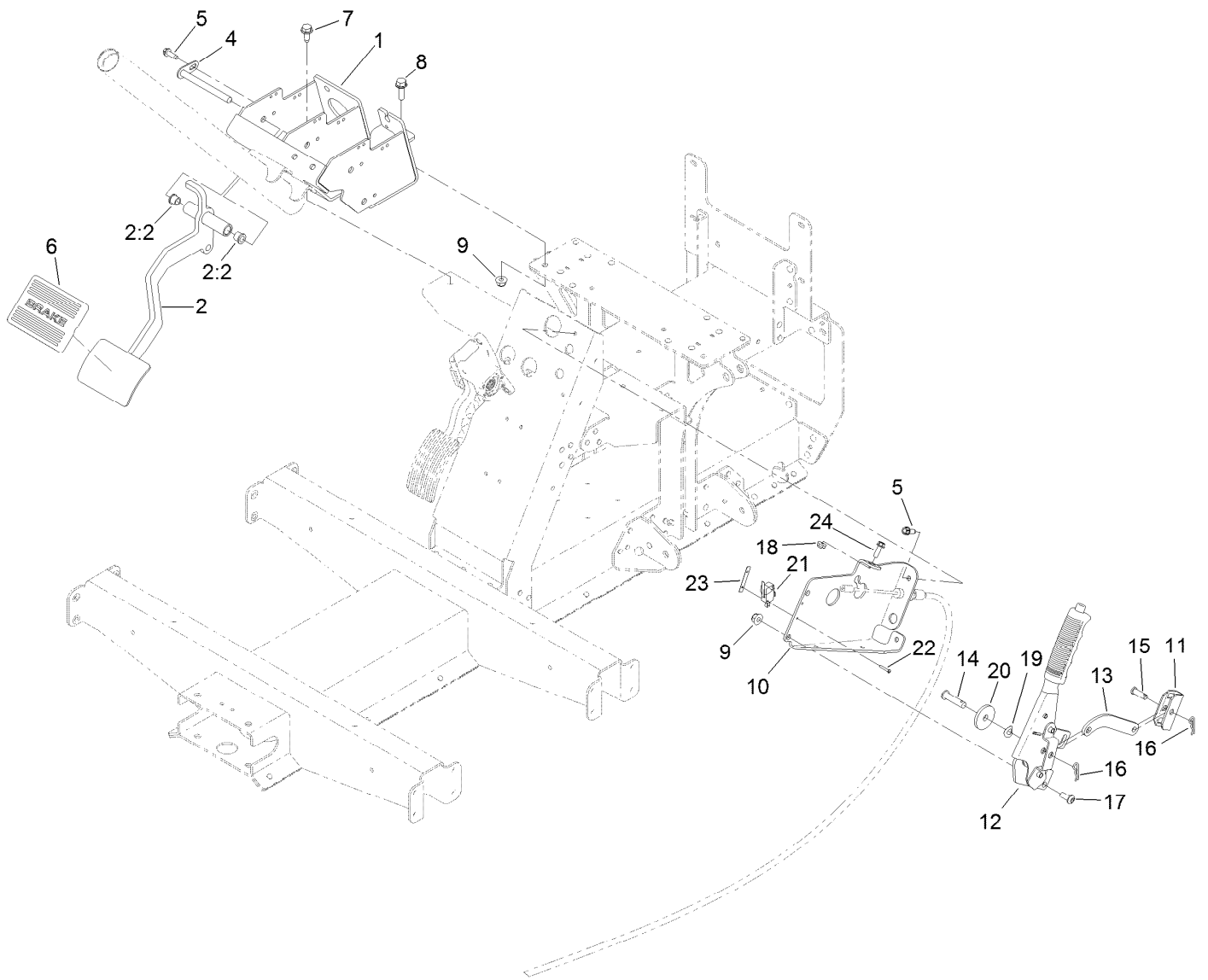
<i>Ref.</i>	<i>Part Number</i>	<i>Qty.</i>	<i>Description</i>
1	140-2580	1	Brake Pad Service Kit (Front, Qty 4)
2	119-9511	1	Bracket Kit
3	133-0614	1	Piston Kit



## Steering Assembly

Ref.	Part Number	Qty.	Description
1	138-0114	1	Steering Rack ASM
1:21	140-4591	1	Kit-Tie Rod ASM, Gtx
1:22	140-4592	1	Kit-Rod End ASM
1:22:2	3272-42	1	Pin-Cotter
1:22:3	140-2493	1	Nut-Hex, Slotted
2	139-3343	1	Steering Column ASM
3	112-3262	2	Bearing
4	127-8804	1	Shaft-Steering
5	3253-4	1	Washer-Lock

Ref.	Part Number	Qty.	Description
6	116-3515	1	Screw-HH, Special
7	21-9260	1	Cover-Dust
8	32144-49	4	Screw-HWHTF
9	3230-1	4	Bolt-CARR
10	104-8300	4	Nut-HF, NI
11	131-0957	1	Wheel-Steering
12	3256-26	1	Washer-Flat
13	99-5107	1	Nut-Lock
14	131-3630	1	Cap-Wheel, Steering



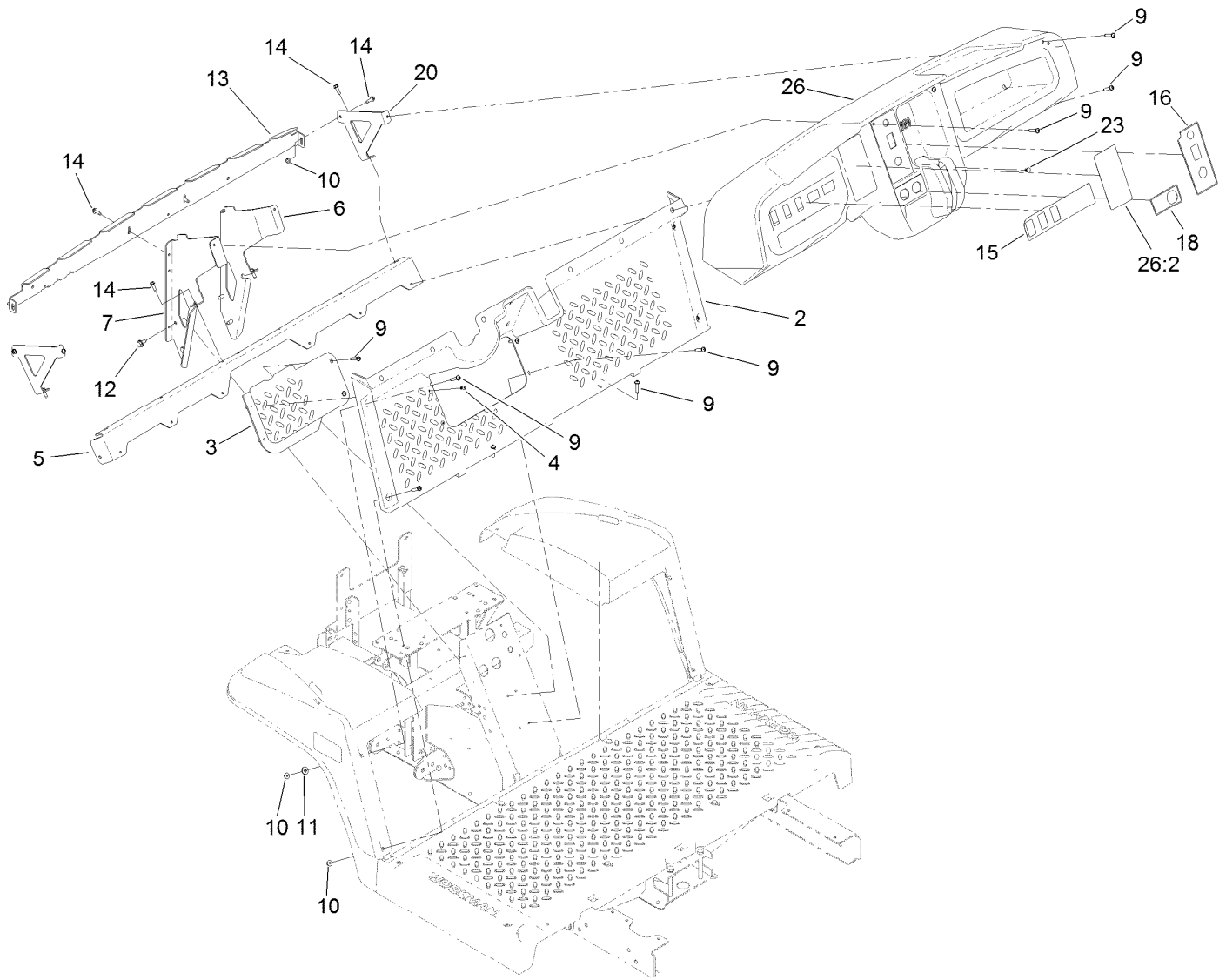
## Pedal and Control Assembly

<i>Ref.</i>	<i>Part Number</i>	<i>Qty.</i>	<i>Description</i>	<i>Ref.</i>	<i>Part Number</i>	<i>Qty.</i>	<i>Description</i>
1	127-8817-03	1	Mount-Pedal	13	127-8836-03	1	Link-Brake, Park
2	138-9385	1	Brake Pedal ASM	14	283-10	1	Pin-Clevis
2:2	256-116	2	Bushing-Flange	15	1-808280	1	Pin-Clevis
4	131-8459	1	Shaft-Pivot	16	1-806003	2	Pin-Cotter
5	49-2040	3	Screw-HWHTF	17	3274-55	2	Screw-HSBH
6	7-3900	1	Pad-Brake	18	104-7201	1	Nut-HF
7	32144-70	2	Screw-HWHTF	19	121-4605	1	Washer-Spring
8	3234-29	1	Screw-HHF	20	131-8496	1	Washer-Plain
9	104-8300	3	Nut-HF, NI	21	108-6496	1	Switch (W/Boot)
10	140-4836-03	1	Mount-Park Brake	22	3290-313	2	Screw-SPH
11	87-3480	1	Bracket-Equalizer, Cable	23	3290-354	1	Nut-Speed
12	131-8320	1	Lever-Brake, Park	24	115-5103	1	Screw-HHF



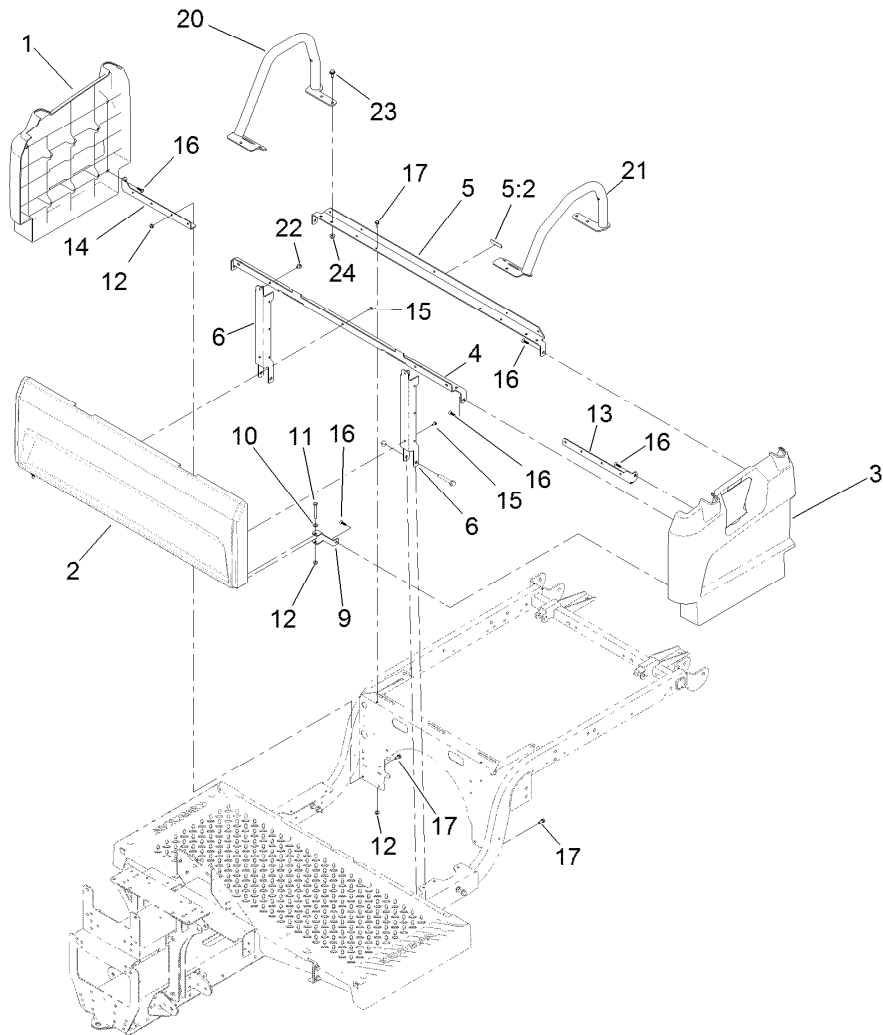
## Hood and Fender Assembly

<i>Ref.</i>	<i>Part Number</i>	<i>Qty.</i>	<i>Description</i>	<i>Ref.</i>	<i>Part Number</i>	<i>Qty.</i>	<i>Description</i>
1	132-8530	1	Bumper	12	127-7771	1	Fender-Front, LH
2	131-8455-03	1	Bracket-Headlight, LH	13	127-7772	1	Fender-Front, RH
3	131-8456-03	1	Bracket-Headlight, RH	14	3234-33	4	Screw-HHF
4	46-8091	8	Screw-HWH	15	3256-2	4	Washer-Flat
5	138-9260	2	Headlight ASM	16	104-7201	4	Nut-HF
6	115-2408	6	Clip-Speed	17	32144-70	2	Screw-HWHTF
7	136-6281	1	Hood	18	125-1122	2	Screw
8	117-5094	2	Pin-Clevis	19	131-8402	2	Strap-Down, Hold
9	32121-50	2	Pin-Spring	20	3296-56	2	Nut-Lock, NI
10	112-3308	2	Retainer-Pin	21	140-4585	2	Decal-Fender, Gtx, Lithium
11	121-9605	6	Screw-HWH	23	133-7210	1	Seal-Trim, Hood



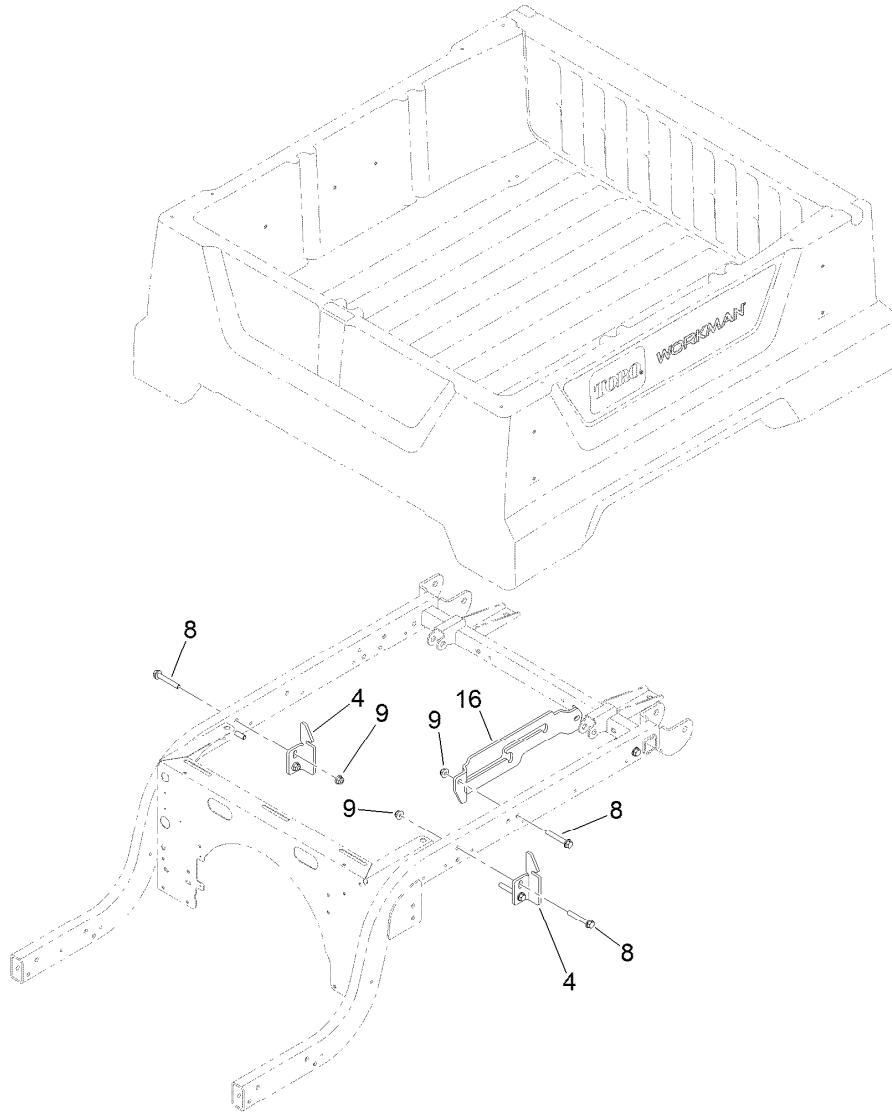
## Dash Assembly

<i>Ref.</i>	<i>Part Number</i>	<i>Qty.</i>	<i>Description</i>	<i>Ref.</i>	<i>Part Number</i>	<i>Qty.</i>	<i>Description</i>
2	127-7846	1	Footboard	14	49-2040	8	Screw-HWHTF
3	127-7847	1	Cover-Footboard	15	140-4584	1	Decal-Dashboard, Gtx-Lithium
4	107-7461	2	Screw-Plastite	16	131-8412	1	Decal-Control Panel, Electric
5	127-7831-03	1	Angle	18	131-8493	1	Decal-USB
6	131-8336-03	1	Bracket-Dash, RH	20	131-8569-03	2	Bracket-Dash, Side
7	131-8335-03	1	Bracket-Dash, LH	23	104-9368	1	Plug-Dome
9	132-6777	20	Screw-TTH	26	140-2486	1	Dash-Gtx Lithium (Service)
10	104-7201	6	Nut-HF	26:2	140-4584	1	Decal-Dashboard, Gtx-Lithium
11	3256-2	2	Washer-Flat				
12	32144-70	4	Screw-HWHTF				
13	131-8568-03	1	Reinforcement-Dash				



## Seatbase Assembly

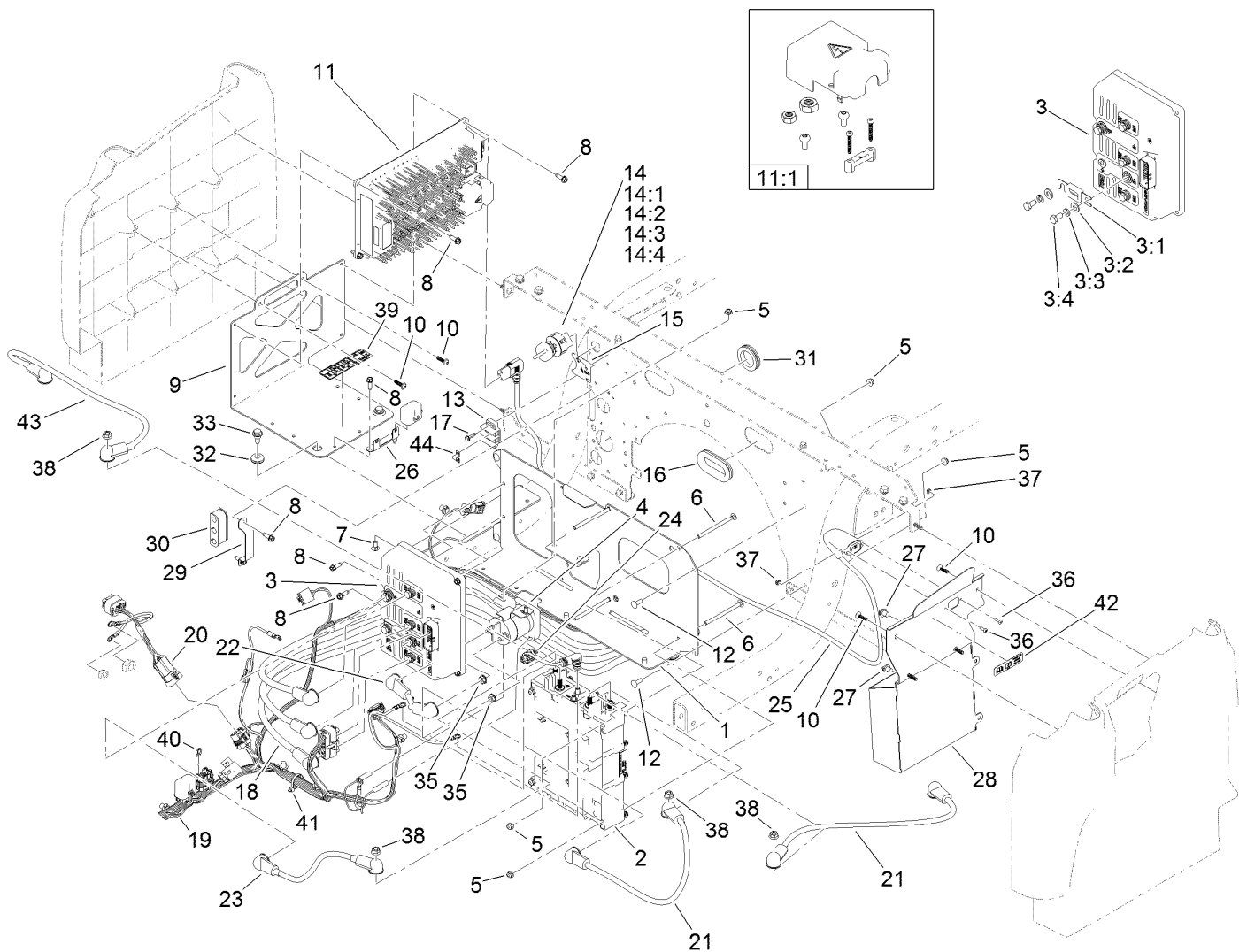
<i>Ref.</i>	<i>Part Number</i>	<i>Qty.</i>	<i>Description</i>	<i>Ref.</i>	<i>Part Number</i>	<i>Qty.</i>	<i>Description</i>
1	127-7805	1	Side-Base, Seat (RH)	13	127-7842-03	1	Bracket-Support, Side (LH)
2	133-7188	1	Panel-Base, Seat	14	127-7843-03	1	Bracket-Support, Side (RH)
3	127-7807	1	Side-Base, Seat (LH)	15	112-6349	5	Screw-HWH
4	133-7345-03	1	Support-Seat	16	120-2349	8	Screw
5	137-6991	1	Seat Support ASM	17	3234-33	6	Screw-HHF
5:2	120-9570	1	Decal-Warning	20	131-8352-05	1	Restraint-Hip, RH
6	127-7841-03	2	Channel-Support, Seat	21	131-8353-05	1	Restraint-Hip, LH
9	127-7844-03	2	Clamp-Plate, Floor	22	46-6810	2	Screw And Washer ASM
10	3256-22	2	Washer-Flat	23	32144-70	6	Screw-HWHTF
11	321-18	2	Screw-HH	24	104-8300	6	Nut-HF, NI
12	104-7201	8	Nut-HF				



## Cargo Bed Assembly

<i>Ref.</i>	<i>Part Number</i>	<i>Qty.</i>	<i>Description</i>
4	127-7428-03	2	Striker-Latch, Bed
8	3234-39	6	Screw-HHF
9	104-8301	6	Nut-HF, NI
16	132-8518	1	Bracket-Rod, Prop

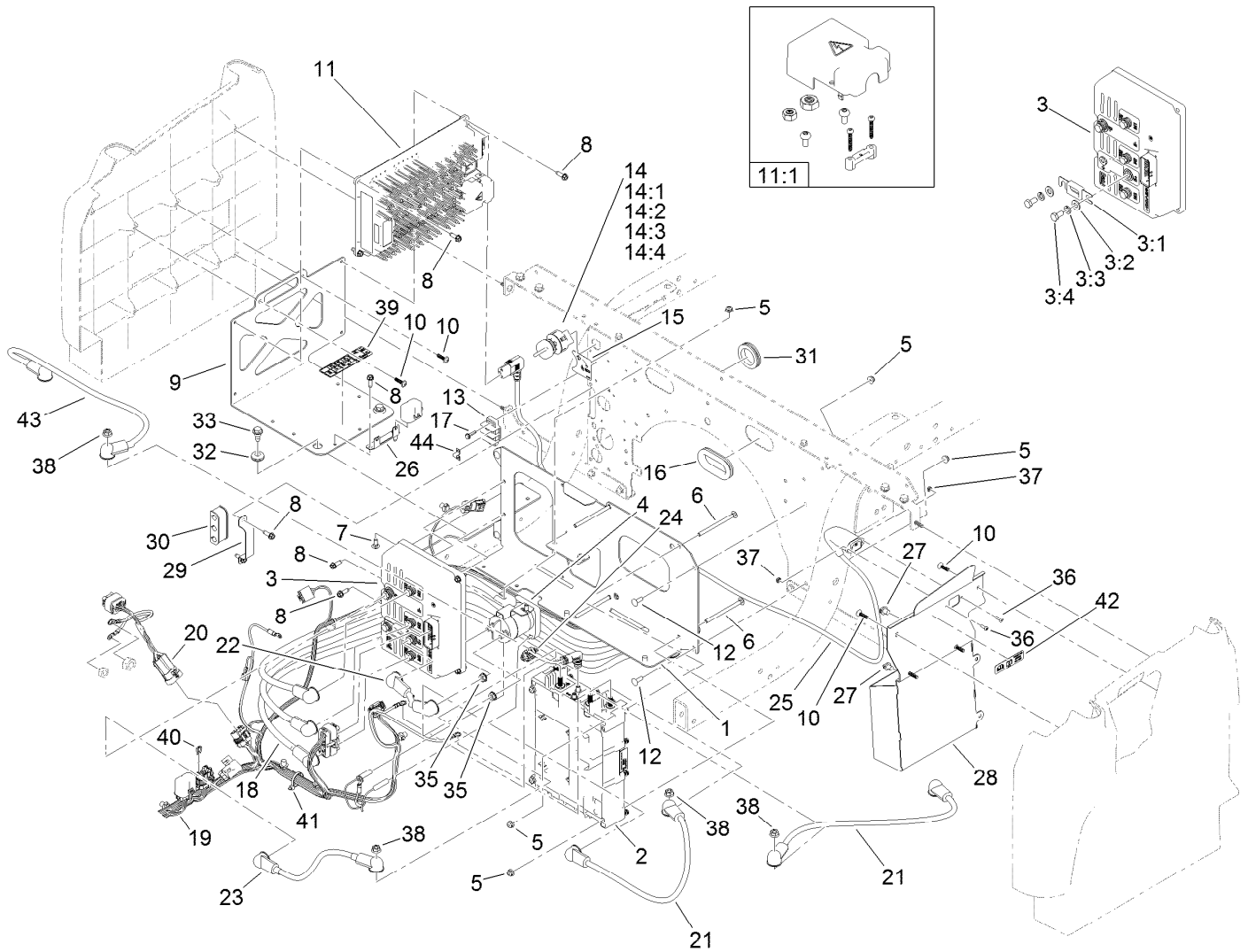




## Controller and Charger Assembly

Ref.	Part Number	Qty.	Description	Ref.	Part Number	Qty.	Description
1	139-4639-03	1	Bracket-Controller, Lithium	14	110-2580	1	Switch-Key, Supervisor
2	137-9651	1	Controller	14:1		1	Switch-Key ●
3	139-4600	1	Controller-Sevcon	14:2	108-8660	1	Nut-Mounting
3:1	131-8494	1	Fuse-425 Amp	14:3	110-5221	1	Set-Key, Supervisor
3:2	33094-00	6	Washer-Plain	14:4	108-8659	1	Washer-Backup
3:3	3253-4	6	Washer-Lock	15	131-8527	1	Decal-Mode
3:4	33114-016	6	Screw-HH	16	240-12	1	Grommet-Rubber
4	104-7136	1	Contactora-Trombetta	17	100-4351	2	Screw-HWH
5	104-7201	10	Nut-HF	18	122-1718	3	Battery-Cable, Positive ASM
6	139-4633	4	Screw-Carriage	19	122-1663	1	Harness-Wire, Gtx-Li
7	3229-11	2	Screw-CARR	20	122-1918	1	Harness-Wire, Gtx-Li Charger Interface
8	49-2040	12	Screw-HWHTF	21	122-1741	2	Cable-Battery, Positive ASM
9	139-4629-03	1	Bracket-Charger, Lithium	22	122-1743	1	Cable-Battery, Positive ASM
10	120-2349	6	Screw	23	122-1745	1	Cable-Battery, Negative ASM
11	139-4645	1	Charger-48V Onboard	24	122-1667	1	Harness-Wire, Interface(System)
11:1	140-2494	1	Charger Kit-Service				
12	1-807512	4	Bolt-CARR				
13	42862	1	Block-Terminal, Ground				

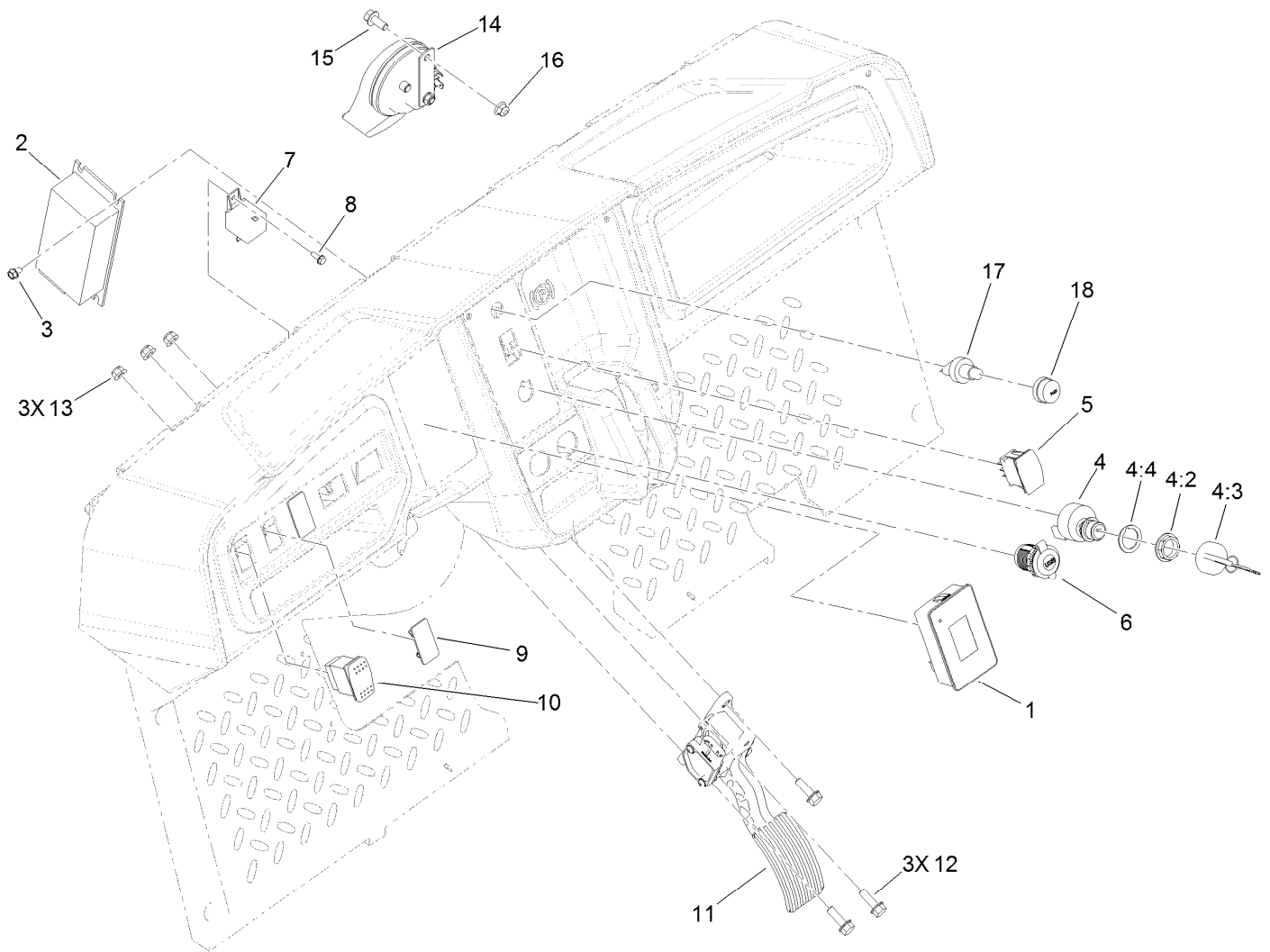
● Not serviced separately



## Controller and Charger Assembly (continued)

Ref.	Part Number	Qty.	Description	Ref.	Part Number	Qty.	Description
25	140-4628	1	Cordset W/Filter	36	3250-26	2	Screw-PPH
26	138-9299	1	Bracket-Fuse Block	37	3296-54	2	Nut-Lock
27	32180-030	4	Clip-Tie	38	140-2488	4	Nut-HF
28	140-2496-05	1	Bracket-Charger Outlet ASM [blk	39	140-2487	1	Decal-Fuse Block, 48V
29	140-4579	1	Retainer-Isolator	40	121-8884	1	Fuse-Mini Blade, 30 Amp
30	131-8420	1	Isolator-Clamp	41	3290-378	1	Tie-Cable
31	240-7	1	Grommet-Rubber	42	140-4590	1	Decal-Charger Input Lithium
32	1-633630	2	Grommet	43	122-1744	1	Cable-Battery, Negative ASM
33	99-5105	2	Screw-Shoulder	44	42863	1	Strip-Jumper
35	107-0380	2	Nut-HHF				

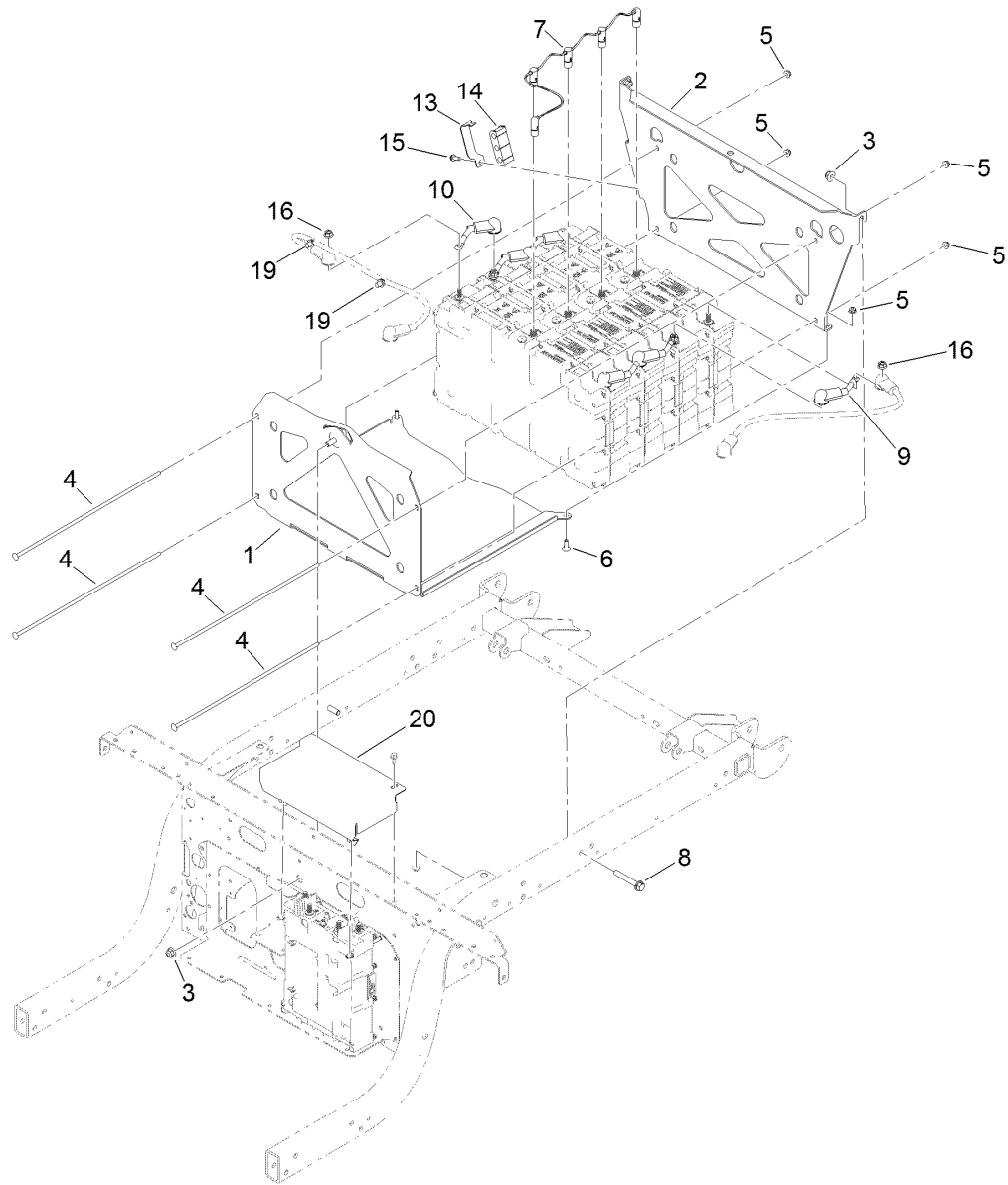
● Not serviced separately



## Accelerator Pedal and Horn Assembly

Ref.	Part Number	Qty.	Description
1	122-2152	1	Controller, Tdm-1601
2	137-7952	1	Converter-DC-DC
3	99-8445	2	Screw-HWH
4	106-5269	1	Ignition Switch ASM
4:2	108-8660	1	Nut-Mounting
4:3	106-5270	1	Ignition Key Set
4:4	108-8659	1	Washer-Backup
5	122-0784	1	Switch-Rocker, On-Off-On
6	131-8388	1	Socket-USB
7	122-1488	1	Relay
8	32144-1	1	Screw-Taptite

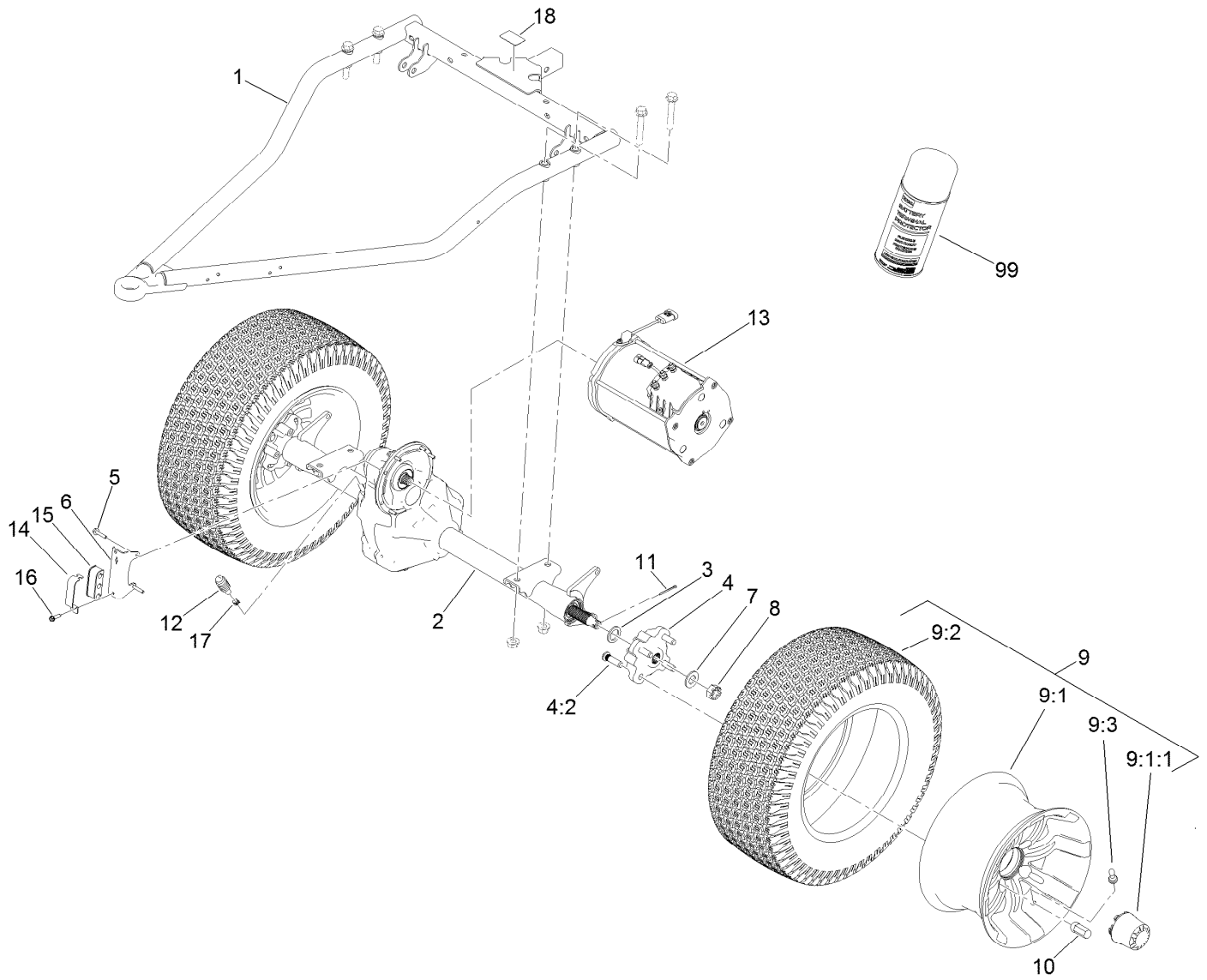
Ref.	Part Number	Qty.	Description
9	99-7420	2	Plug-Hole
10	95-8999	1	Switch
11	121-9675	1	Pedal-Accelerator
12	3234-29	3	Screw-HHF
13	104-8300	3	Nut-HF, NI
14	107-0358	1	Horn
15	3234-5	1	Screw-HHF
16	104-8300	1	Nut-HF, NI
17	112-3324	1	Switch-Horn
18	112-3313	1	Nut-Weatherproof



## Battery Cable Assembly

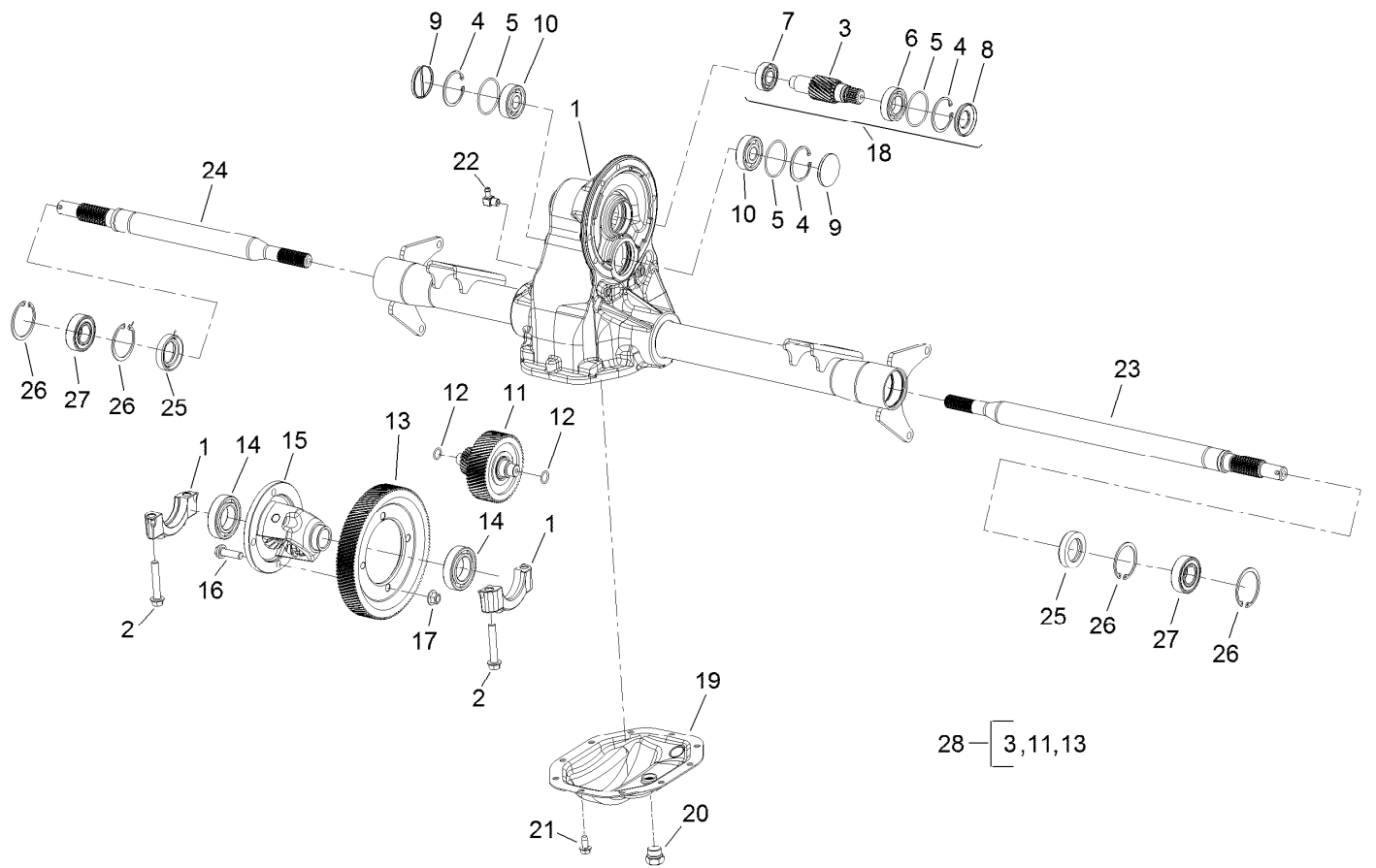
Ref.	Part Number	Qty.	Description	Ref.	Part Number	Qty.	Description
1	139-4609-03	1	Front Bracket ASM [black]	10	122-1697	3	Cable-Battery, Negative
2	139-4636-03	1	Bracket-Rear, Lithium	13	131-8482	1	Retainer-Isolator
3	104-8301	3	Nut-HF, NI	14	131-8420	1	Isolator-Clamp
4	139-4628	4	Screw-CARR	15	49-2040	1	Screw-HWHTF
5	104-7201	6	Nut-HF	16	140-2488	8	Nut-HF
6	1-807512	2	Bolt-CARR	17	107-0382	1	Powercord-AC, Europe ●
7	122-1716	1	Cable-Data, Samsung M/S	17	107-0383	1	Powercord-AC, U.K. ●
8	3234-39	2	Screw-HHF	19	32180-030	2	Clip-Tie
9	122-1696	3	Cable-Battery, Positive	20	140-4799-03	1	Bracket-Shield, Bms

● Not illustrated



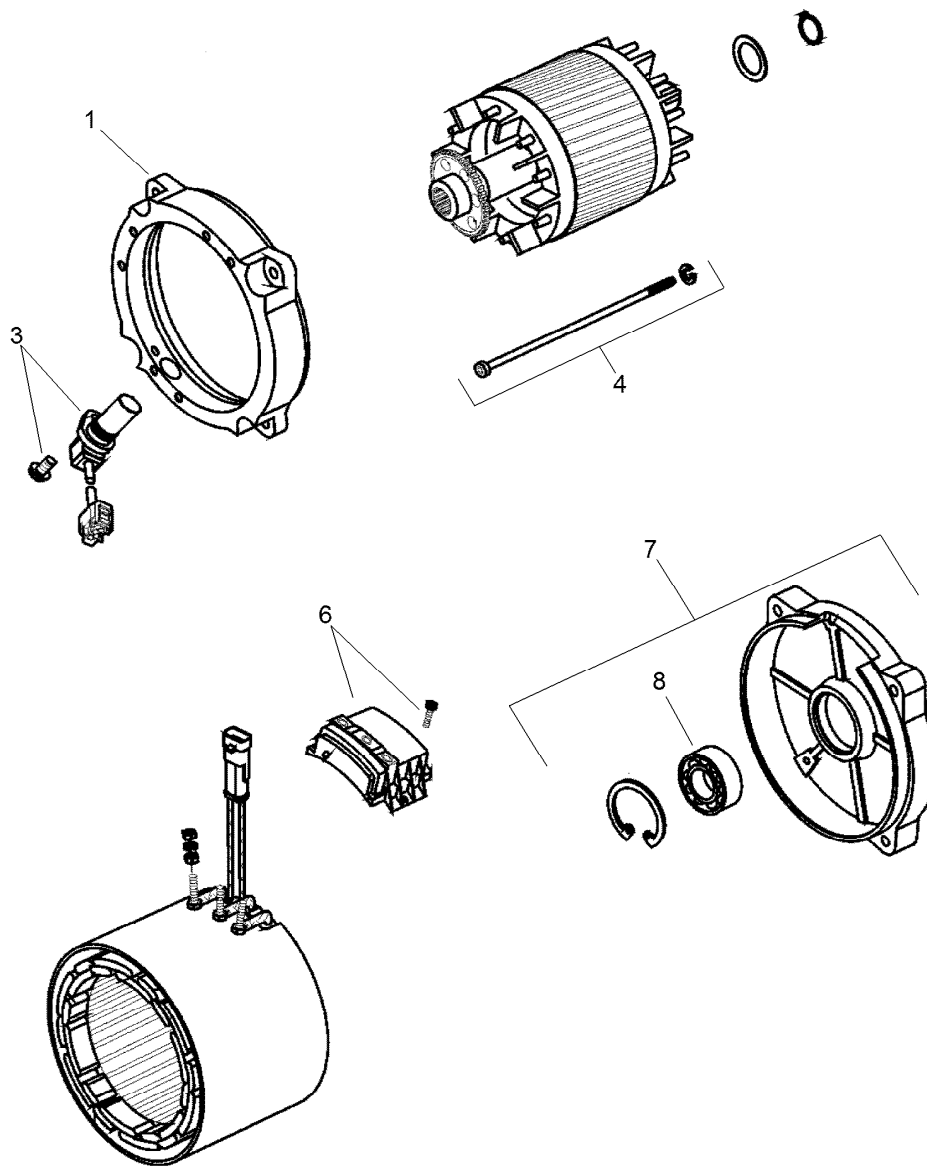
## Rear Wheel and Transaxle Assembly

Ref.	Part Number	Qty.	Description	Ref.	Part Number	Qty.	Description
1	140-2568-03	1	Gtx-E Swing Arm ASM [black]	9:1:1	140-4570	1	Cap-Aluminum Wheel
2	136-6340	1	Transaxle ASM	9:2	120-3271	1	Tire
3	131-8570	2	Spacer-Hardened	9:3	232-27	1	Stem-Valve
4	140-4849	2	Hub ASM, Rear	10	139-3603	8	Nut-Lug
4:2	10-6830	4	Stud-Type, Drive	11	1-806800	2	Pin-Cotter
5	33103-030	6	Screw-HHF	12	127-8859	1	Bellows-Breather
6	131-8416	1	Bracket-Cable	13	137-6936	1	Motor-AC
7	92-5836	2	Washer	14	131-8482	1	Retainer-Isolator
8	32136-5	2	Nut-Hex, Slotted	15	131-8420	1	Isolator-Clamp
9	139-4649	2	Aluminum Whl And Tire ASM	16	49-2040	1	Screw-HWHTF
9:1	139-4601	1	Wheel-Aluminum	17	2412-146	1	Clamp-Hose
				18	137-9984	1	Decal-Load, Towing
				99	107-0392	1	Protection-Terminal, Aerosol



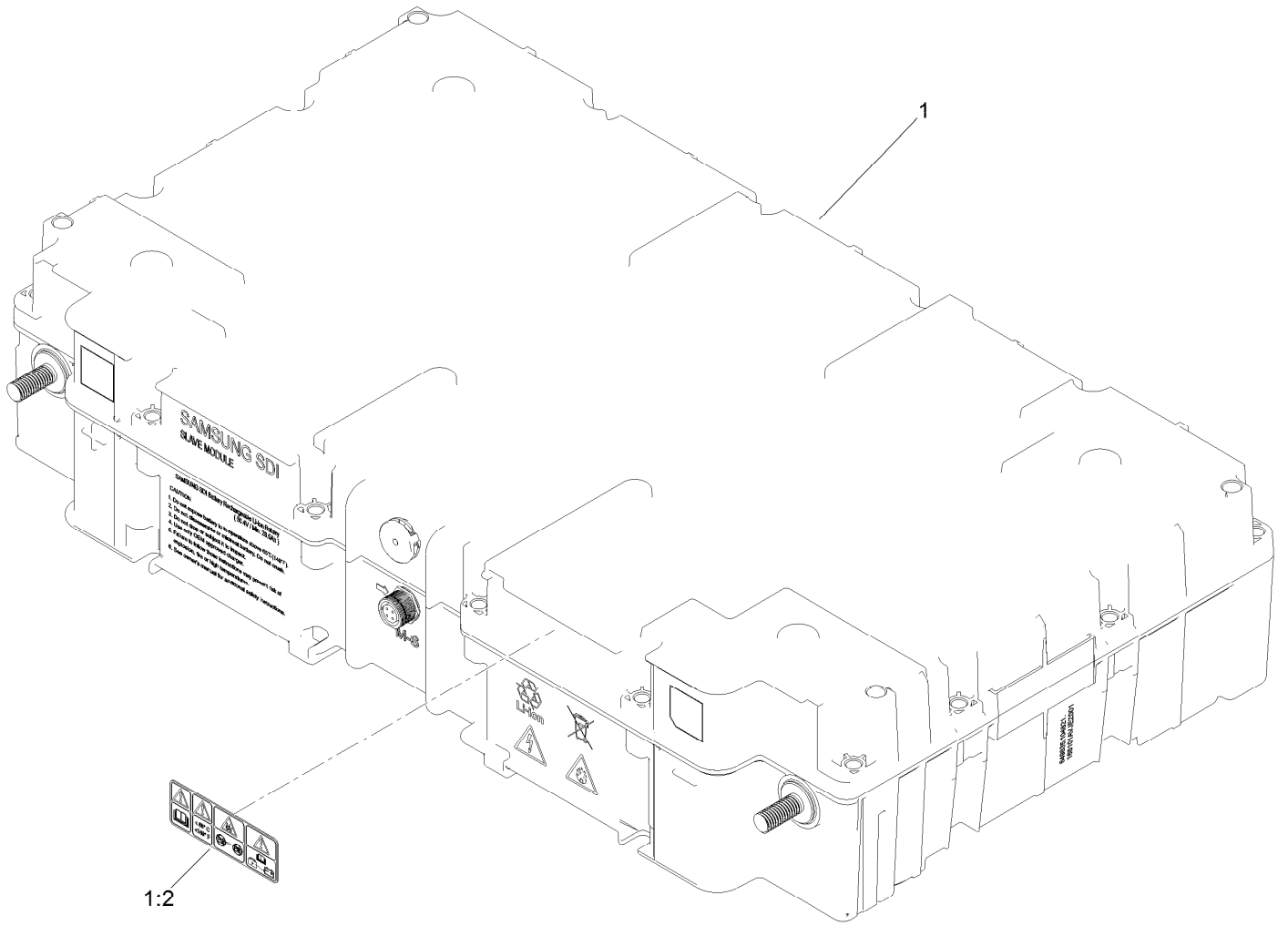
## Transaxle Assembly No. 136-6340

Ref.	Part Number	Qty.	Description	Ref.	Part Number	Qty.	Description
1	133-2447	1	Housing-Axle	15	133-2461	1	Differential ASM
2	133-2448	4	Bolt-Cap, Bearing	16	133-2462	4	Bolt-HHF
3	133-2485	1	Gear-Input	17	133-2463	4	Nut-Lock
4	133-2450	3	Ring-Retaining	18	133-2487	1	Input Gear Kit
5	133-2451	3	O-Ring	19	136-6341	1	Plate-Cover
6	133-2452	1	Bearing-Ball	20	133-2466	1	Plug-HH
7	133-2453	1	Bearing-Ball	21	133-2467	10	Screw-Tapping
8	133-2454	1	Seal-Oil	22	133-2468	1	Elbow-Hose
9	133-2455	2	Plug-Cap, End	23	133-2469	1	Shaft-Axle, LH
10	133-2456	2	Bearing-Ball	24	133-2470	1	Shaft-Axle, RH
11	133-2486	1	Intermediate Gear ASM	25	112-3140	2	Seal-Oil
12	133-2458	2	O-Ring	26	133-2472	4	Ring-Retaining
13	133-2459	1	Gear-Drive, Final	27	108-2425	2	Bearing-Ball
14	133-2460	2	Bearing-Ball	28	108-2409	1	Internal Gear Kit



## Electric Motor Assembly No. 137-6936

<i>Ref.</i>	<i>Part Number</i>	<i>Qty.</i>	<i>Description</i>
1	132-4924	1	Bracket-End, Drive
3	132-4925	1	Sensor
4	132-4926	1	Screw
6	132-4927	1	Plate-Connection
7	132-4928	1	Bracket-End, Rear
8	132-4929	1	Bearing



## Battery Assembly No. 04070

Ref.	Part Number	Qty.	Description
1		1	Battery Service ASM ●
1:2	137-9712	1	Decal-Safety

● Not serviced separately



# Attachments and Accessories

## For 07413TC Workman GTX Lithium Utility Vehicle

<b>Product Name</b>	<b>Model/Part</b>
Hose Reel Mounting Kit .....	07027
Trash Can Mounting Kit .....	07028
Walk Spreader Mounting Kit .....	07029
Bed Rack Kit .....	07031
ROPS Kit .....	07032
Cargo Bed Kit .....	07046
Bench Seat Base Kit .....	07047
Bucket Seat Base Kit .....	07048
Cab Kit .....	07142
48V Electric Lift Kit .....	07143
Brush Guard Kit .....	07145
Front Hitch Kit, Workman GTX Series Utility Vehicles with Brush Guard .....	07146
Front Hitch Kit, Workman GTX or MDX Series Utility Vehicles without Brush Guard .....	07147
Steel Flat Bed Kit .....	07148
Storage Box Kit .....	07156
6in L-Track Kit .....	07158
2in L-Track Kit .....	07159
GTX Ball Cage ROPS, Certified .....	07161
48V 6 Foot Bed Electric Lift Kit .....	07168
Canopy W/ ROPS .....	07169
Canopy Mount Kit, Workman GTX Utility Vehicle with Extended Flatbed .....	07199
Workman GTX 2-Person Canopy .....	07921
Folding Windshield Kit, Workman GTX Utility Vehicle with Canopy .....	07923
Powercord-AC, Europe .....	107-0382
Powercord-AC, U.K. ....	107-0383
Exterior Mirror Kit .....	130-5448
Interior Mirror Kit .....	130-5449
Beacon Kit .....	130-5484
Work Light Kit .....	130-5485
Windshield Washer Fluid Kit, 2015 and after Workman MD/HD Series Utility Vehicle .....	130-5615
Small Seat Cover .....	131-6690
Reverse Alarm Kit .....	131-8549
Power Point Kit .....	131-8550
Brake and Signal Light Kit .....	132-8579
Power Converter Kit .....	133-0959
Wide Angle Mirror Kit .....	133-1009
Wide Angle Mirror Kit .....	133-1038
Horn Kit .....	133-3017
Bracket-Mount, Radio .....	133-7111-03
Mount-Ball .....	133-7116
Road Light and Homologation Kit .....	133-7128
Cab Mount Kit, Workman GTX Utility Vehicle with Extended Flatbed .....	133-7198
Service Hood ASM .....	133-7209
Door Mount Mirror Kit .....	136-1997
Small Bedrack Mount Grip Kit .....	136-6311
Large Bedrack Mount Grip Kit .....	136-6312

## Attachments and Accessories (continued)

Glove Box Cover Kit .....	137-2883
Plate-Skid .....	137-2887-03
Ignition Switch ASM (Key1) .....	138-3505
Ignition Switch ASM (Key2) .....	138-3506
Ignition Switch ASM (Key3) .....	138-3507
Ignition Switch ASM (Key4) .....	138-3508
Ignition Switch ASM (Key5) .....	138-3509
Wireless Hourmeter Finish Kit .....	139-4627

**Notes:**



**Count on it.**