



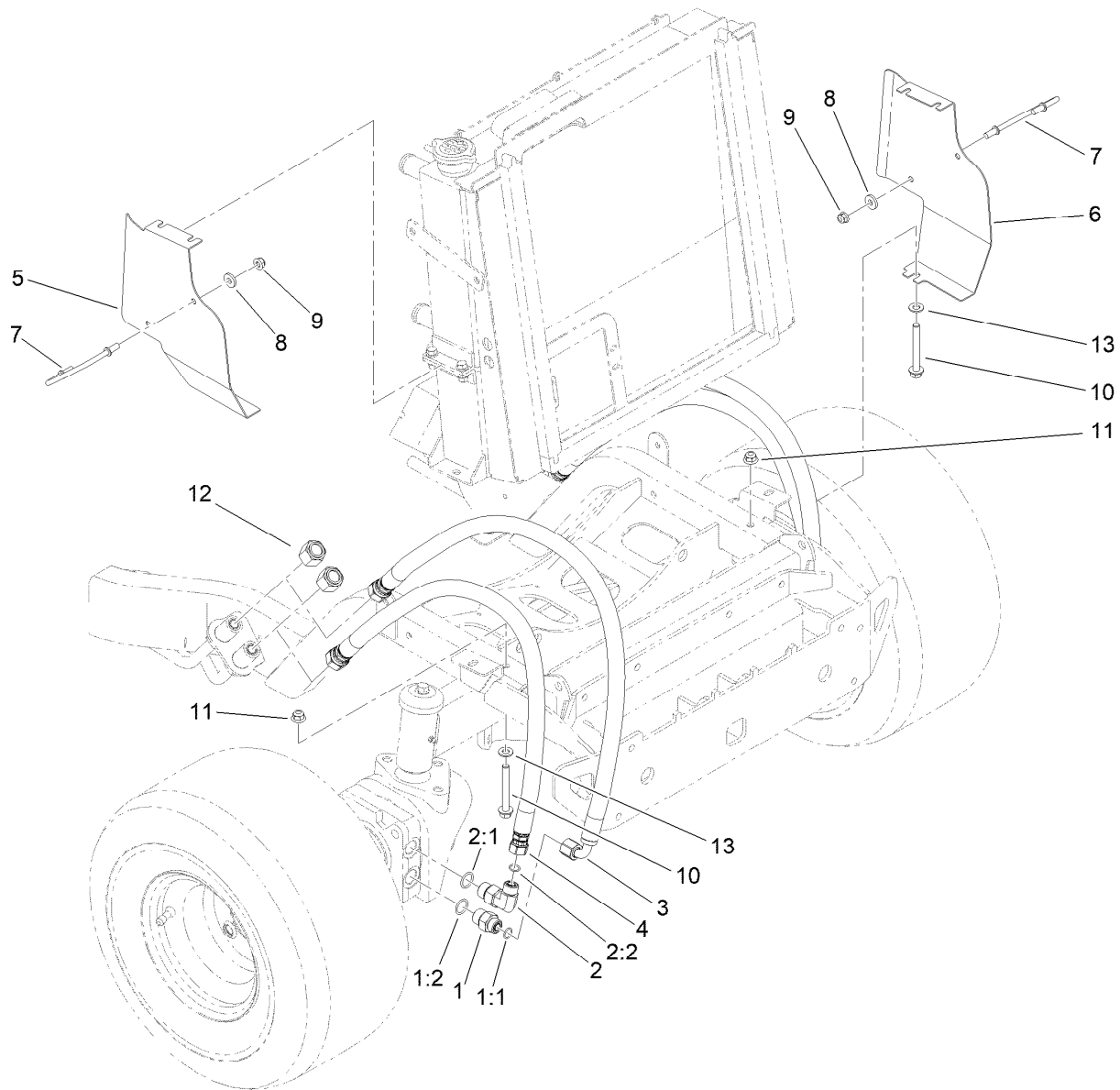
**Count on it.**

**Parts Catalog**

**Hose Replacement Kit**  
**Groundsmaster® 3200 or 3300 Series**  
**Traction Unit**

Model No. 144-3960





## Hose Replacement Kit No. 144-3960

<i>Ref.</i>	<i>Part Number</i>	<i>Qty.</i>	<i>Description</i>	<i>Ref.</i>	<i>Part Number</i>	<i>Qty.</i>	<i>Description</i>
1	340-6	2	Fitting-Straight	6	144-0544-03	1	Bracket-Cooler Shroud, RH
1:1	237-30	1	O-Ring	7	144-3905	2	Guide-Hose
1:2	237-80	1	O-Ring	8	88-7200	4	Washer-Flat
2	340-105	2	Fitting-Elbow, 90 DEG	9	104-8300	4	Nut-HF, NI
2:1	237-80	1	O-Ring	10	139-2429	2	Screw-HHF
2:2	237-30	1	O-Ring	11	104-8301	2	Nut-HF, NI
3	144-3928	2	Hose ASM, Hydraulic	12	340-150	2	Cap
4	144-3929	2	Hose ASM, Hydraulic	13	3256-24	2	Washer-Flat
5	144-0537-03	1	Bracket-Cooler Shroud, LH				