



Smooth Castor Wheel

Timecutter™ Z Riding Mower

Part No. 105-1856

Parts Catalog

Ordering Replacement Parts

To order replacement parts, please supply: the part number, the quantity, and the description of each part desired.

Understanding Reference Numbers

Each identified part in an illustration has a reference number. The reference number for a part also appears in the parts list, along with other information about the part.

This catalog uses two special reference number formats, one to indicate parts in a service assembly and another to indicate the quantity of a given part in an illustration.

Service Assembly Reference Numbers

Parts in service assemblies have reference numbers in the form **a:b**. The **a** represents the reference number of the entire service assembly and the **b** represents a sequential number unique to each part within the service assembly.

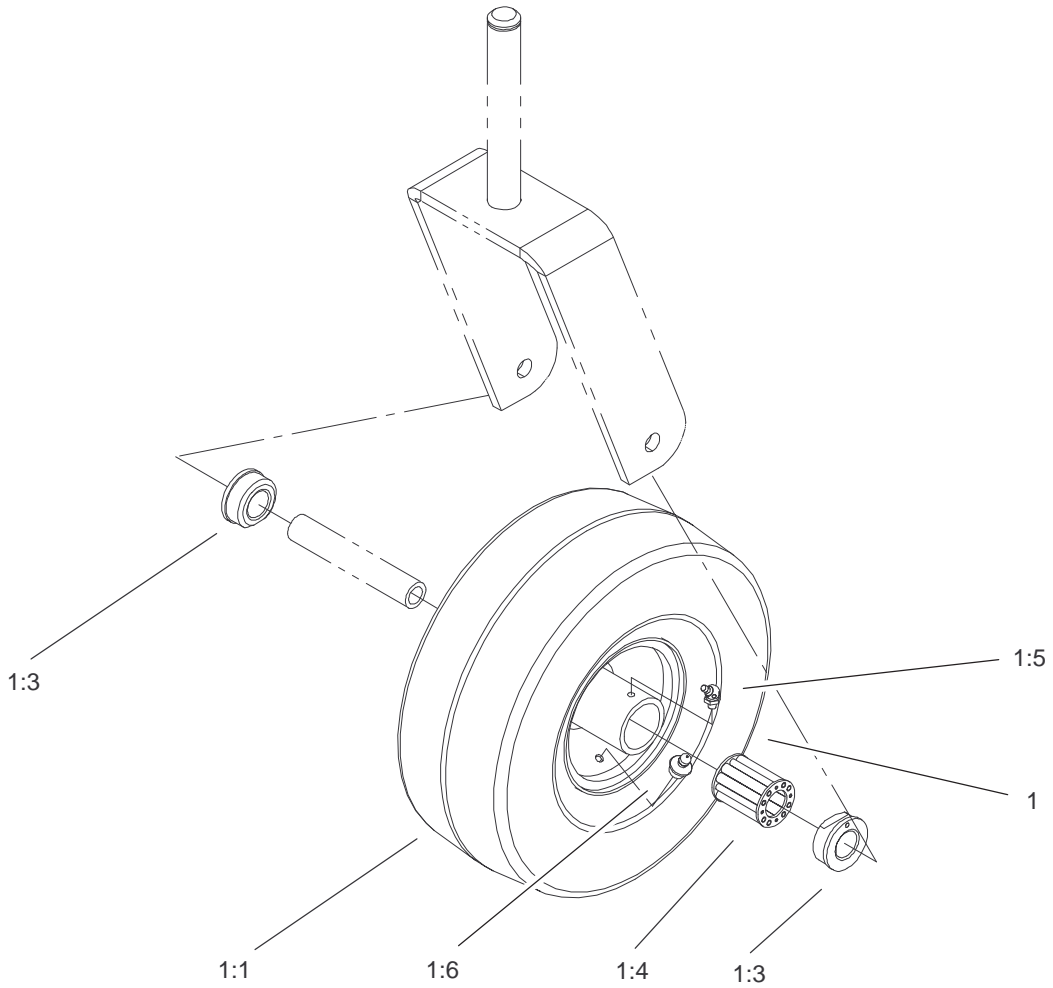
For example, a wheel assembly might be identified by reference number **6**, the tire by **6:1**, the valve by **6:2**, and the wheel by **6:3**. When you order the assembly identified by reference number **6**, you receive all parts identified by reference numbers **6:1**, **6:2**, and **6:3**. However, you may also order any part individually.

Reference numbers of this type appear in illustrations and in part lists.

Reference Numbers Indicating Quantity

In an illustration, if a reference number indicates more than one part, the reference number has the form **nX y**. The **n** represents the quantity of the part, the **X** is the multiplication symbol, and the **y** represents the reference number.

For example, in an illustration, the reference number **2X 37** means that two of the parts identified by reference number **37** are indicated.



Sheet No.:0

Caster Wheel Assembly

Ref. No.	Part No.	Qty.	Description
1	105-1863	2	Caster Wheel ASM
1:1	105-1864	1	Tire-410/350 X 4
1:3	62-5580	2	Bearing-Outside
1:4	83-4740	1	Bearing
1:5	302-11	1	Fitting-Lube, 45°
1:6	232-21	1	Valve -Stem
*1:7	93-4244	1	Tube-Inner w/Valve

Ref. No.	Part No.	Qty.	Description

* Not illustrated