



Count on it.

Parts Catalog

SGR-13 Stump Grinder

Model No. 22615—Serial No. 404320000 and Up

Model No. 22615G—Serial No. 404320000 and Up



Ordering Replacement Parts

To order replacement parts, please supply the part number, the quantity, and the description of each part desired.

Understanding Reference Numbers

Each identified part in an illustration has a reference number. The reference number for a part also appears in the parts list, along with other information about the part.

This catalog uses two special reference number formats, one to indicate parts in a service assembly and another to indicate the quantity of a given part in an illustration.

Service Assembly Reference Numbers

Parts in service assemblies have reference numbers in the form a:b. The a represents the reference number of the entire service assembly and the b represents a sequential number unique to each part within the service assembly.

For example, a wheel assembly might be identified by reference number 6, the tire by 6:1, the valve by 6:2, and the wheel by 6:3. When you order the assembly identified by reference number 6, you receive all parts identified by reference numbers 6:1, 6:2, and 6:3. However, you may also order any part individually. Reference numbers of this type appear in illustration and in parts lists.

Reference Numbers Indicating Quantity

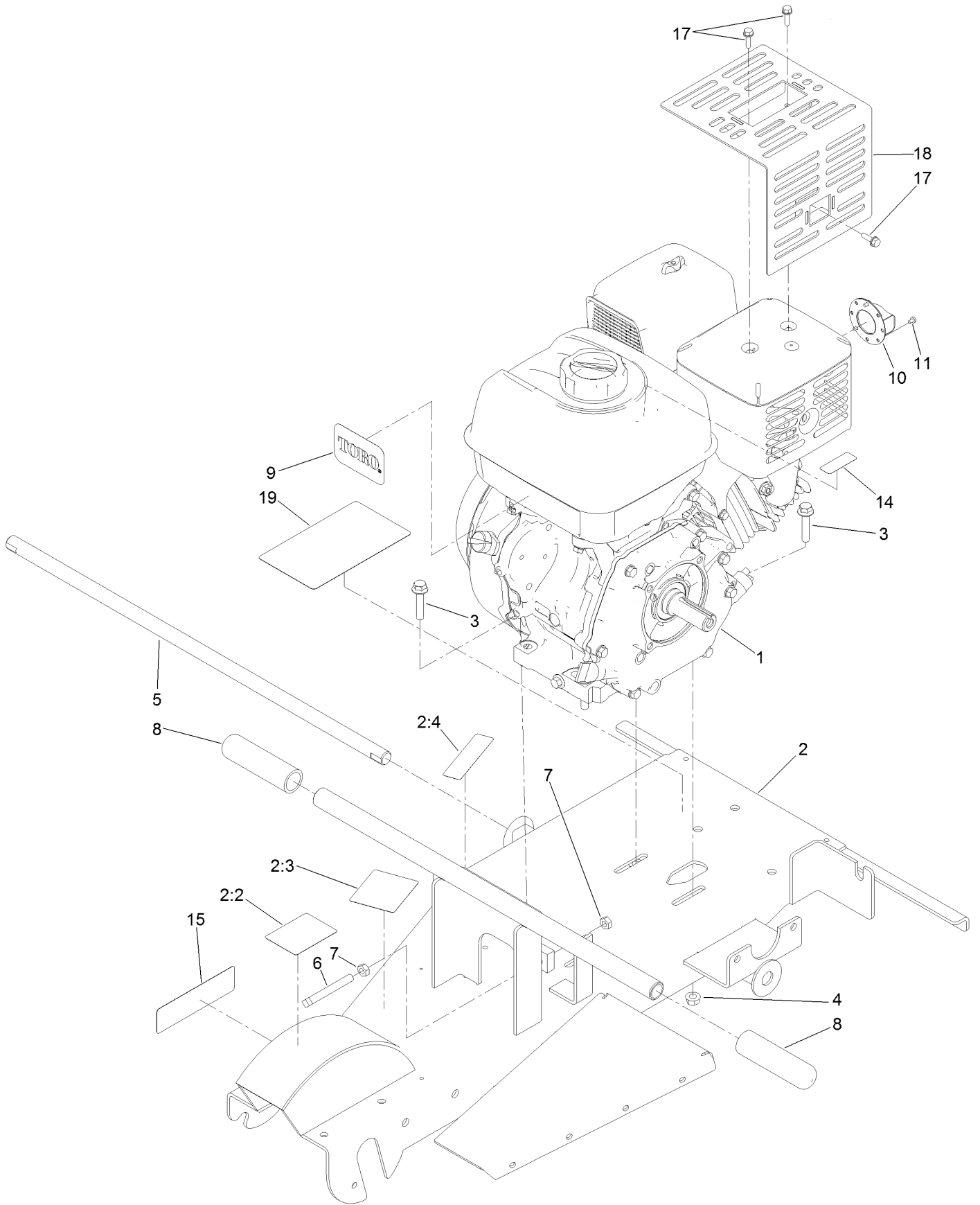
In an illustration, if a reference number indicates more than one part, the reference number has the form nX y. The n represents the quantity of the part, the X is the multiplication symbol, and the y represents the reference number.

For example, in an illustration, the reference number 2X 37 means that two of the parts identified by reference number 37 are indicated.

Contents

Engine and Frame Assembly	4
Handle Assembly	6
Brake Lever Assembly No. 120-1797	7
Cutter Wheel Assembly	8
Wheel and Brake Assembly	9
Flap Assembly	10
Belt Drive Assembly	12
Attachments and Accessories	13

Engine and Frame Assembly

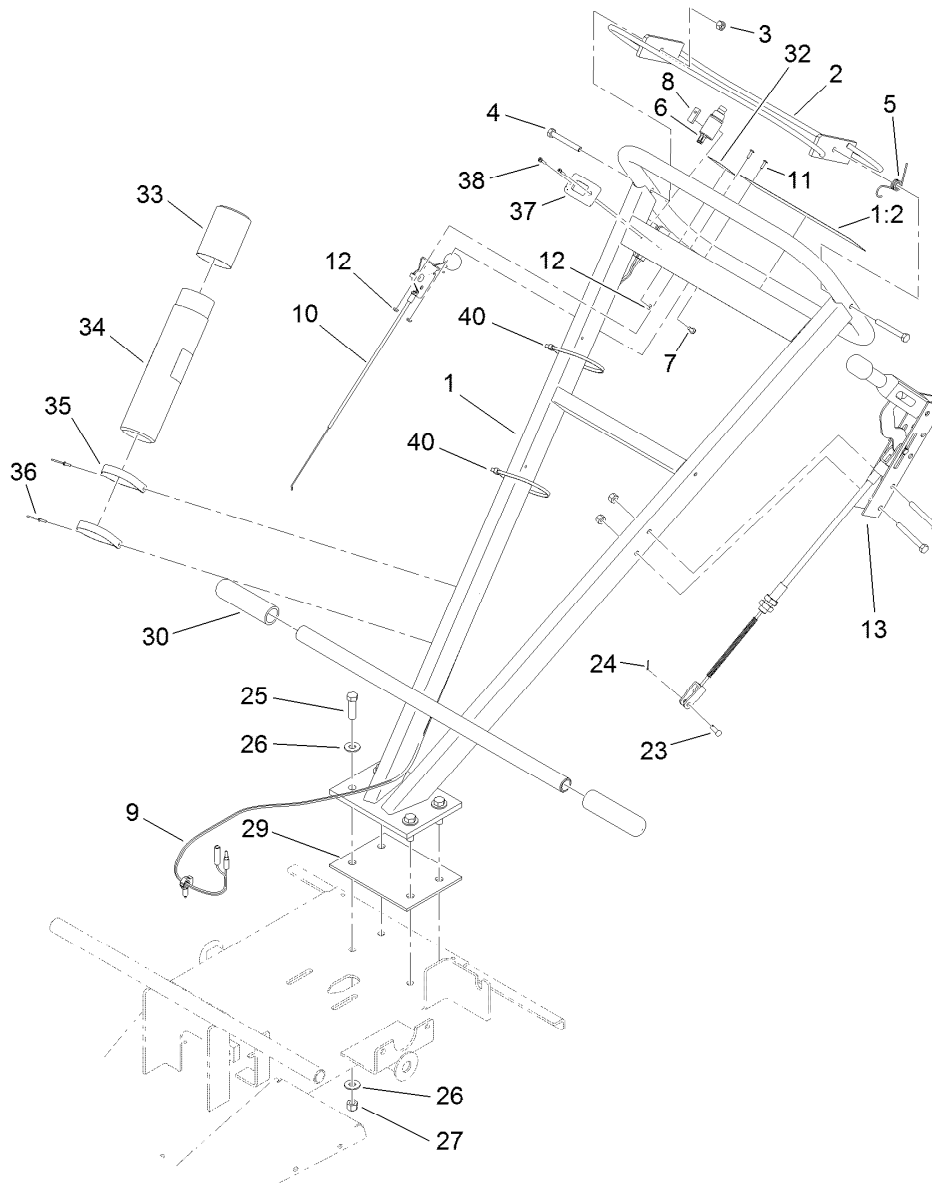


Engine and Frame Assembly (continued)

<i>Ref.</i>	<i>Part Number</i>	<i>Qty.</i>	<i>Description</i>	<i>Ref.</i>	<i>Part Number</i>	<i>Qty.</i>	<i>Description</i>
1		1	Engine-Honda, Gx390 ●■	8	120-1333	2	Grip-Handle
2	132-3984	1	Frame ASM	9	99-2385	1	Decal
2:2	119-4690	1	Decal-Danger	10	120-1886	1	Deflector-Exhaust, Honda
2:3	119-4693	1	Decal-Caution	11	125-0519	3	Screw-Self Tapping
2:4	133-8062	1	Decal-Arrestor, Spark	14	130-8322	1	Decal-Warning, Ethanol
3	3234-19	4	Screw-HHF	15	132-4004	1	Decal-Rotate Tooth
4	32128-21	4	Nut-HF Lock	17	110-3986	3	Screw
5	120-1252	1	Bar-Axle	18	136-4566-03	1	Guard-Muffler
6	119-4729	1	Screw-Set, SQH	19	137-4871	1	Decal-Service
7	3217-7	2	Nut-Hex				

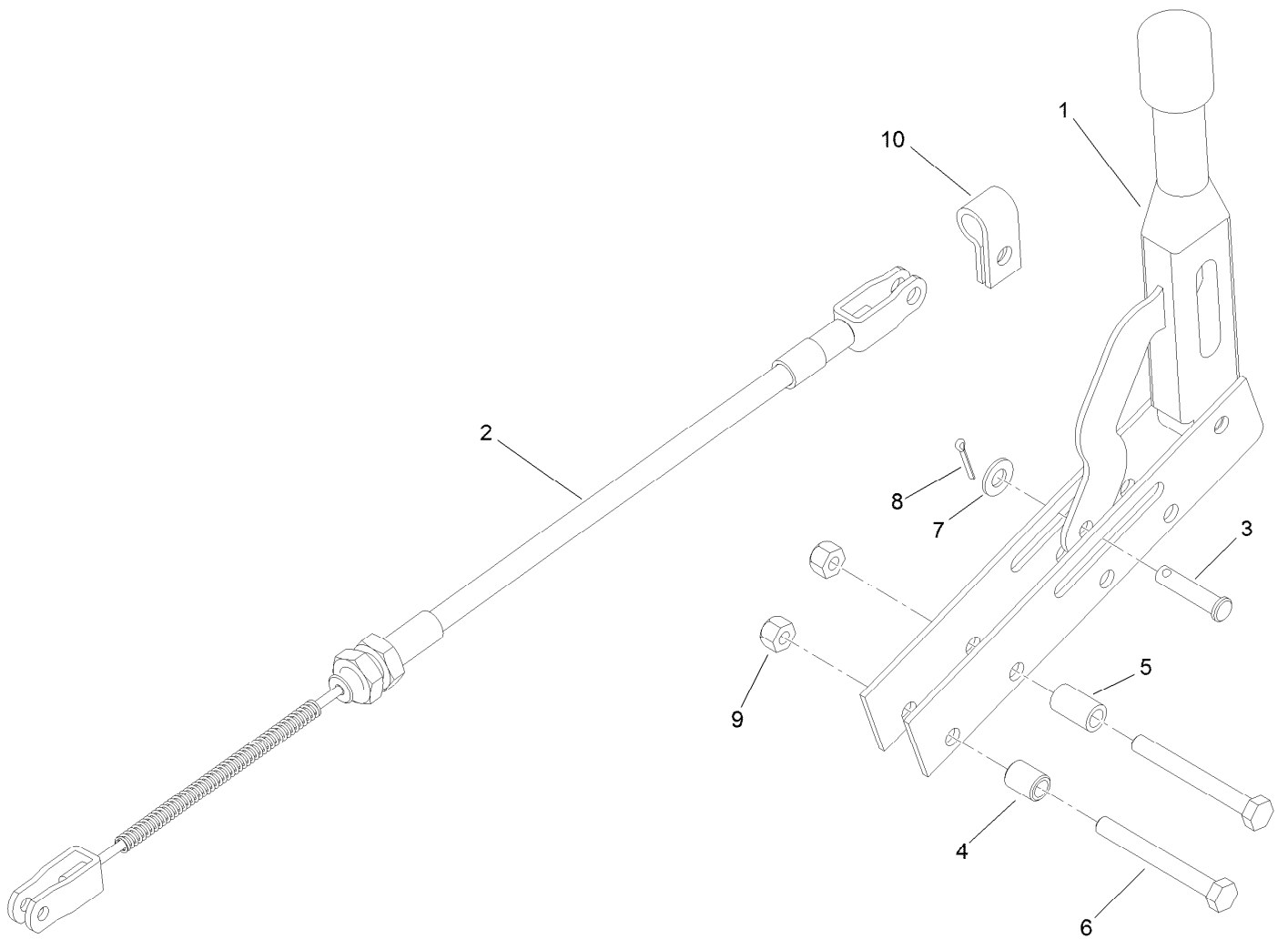
● Not serviced separately

■ Obtain parts from www.honda-engines.com



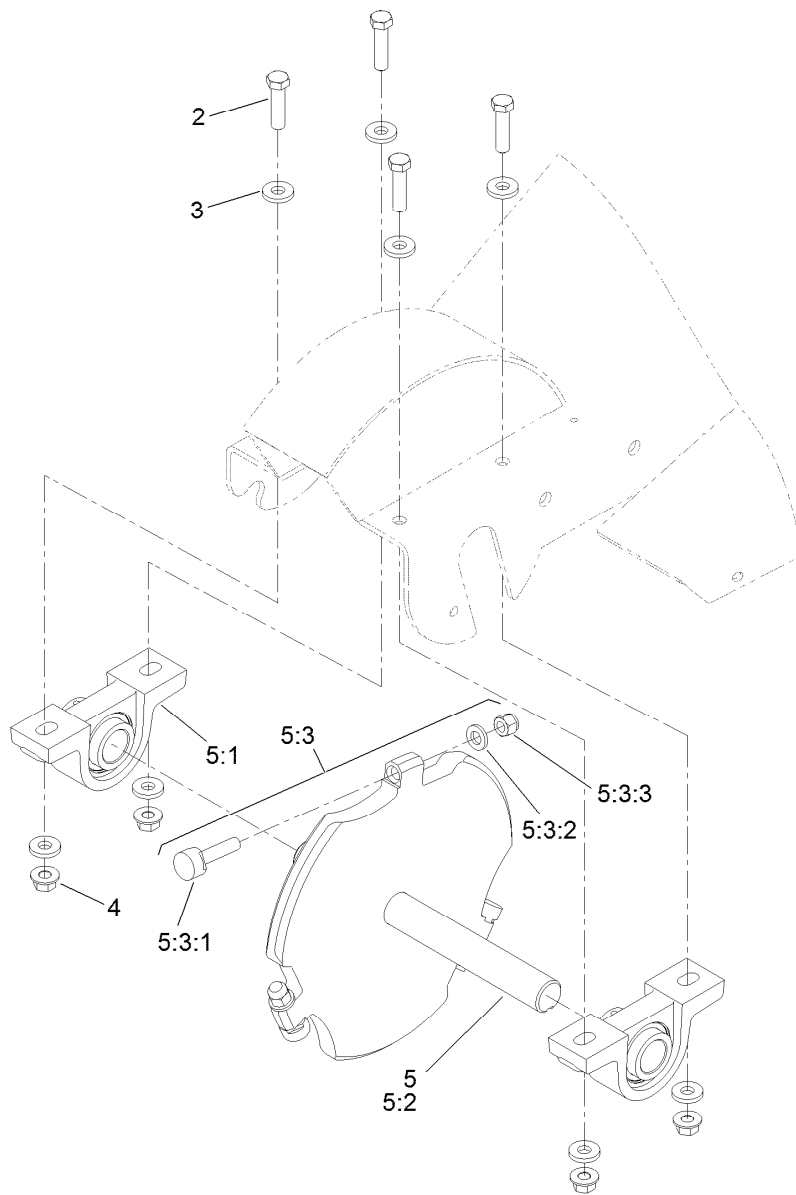
Handle Assembly

<i>Ref.</i>	<i>Part Number</i>	<i>Qty.</i>	<i>Description</i>	<i>Ref.</i>	<i>Part Number</i>	<i>Qty.</i>	<i>Description</i>
1	121-4391	1	Handle ASM	23	1-808265	1	Pin-Clevis
1:2	119-4701	1	Decal-Warning	24	3272-1	1	Pin-Cotter
2	119-4711-01	1	Handle-Safety	25	324-6	4	Screw-HH
3	3296-29	2	Nut-Lock, NI	26	3256-4	8	Washer-Flat
4	322-12	2	Screw-HH	27	3296-48	4	Nut-Hex
5	120-1291	1	Spring-Return	29	120-1248	1	Gasket-Handle
6	120-1803	1	Switch-Plunger, No (W/Cover)	30	120-1333	2	Grip-Handle
7	1-803071	2	Screw	32	119-4721	1	Decal-Engage
8	1-633181	1	Plate-Tapped	33	104-7048	1	Cap-Housing
9	120-1823	1	Harness-Wire	34	104-7050	1	Tube-Manual
10	120-1285	1	Cable-Throttle	35	2412-120	2	Clamp-R
11	3249-3	2	Screw-PRH	36	3269-17	2	Rivet-Pop
12	3296-9	2	Nut-Hex	37	120-1218	1	Hourmeter-Inductive
13	120-1797	1	Brake Lever ASM	38	3250-39	2	Screw-PPH
				40	3290-379	2	Tie-Cable



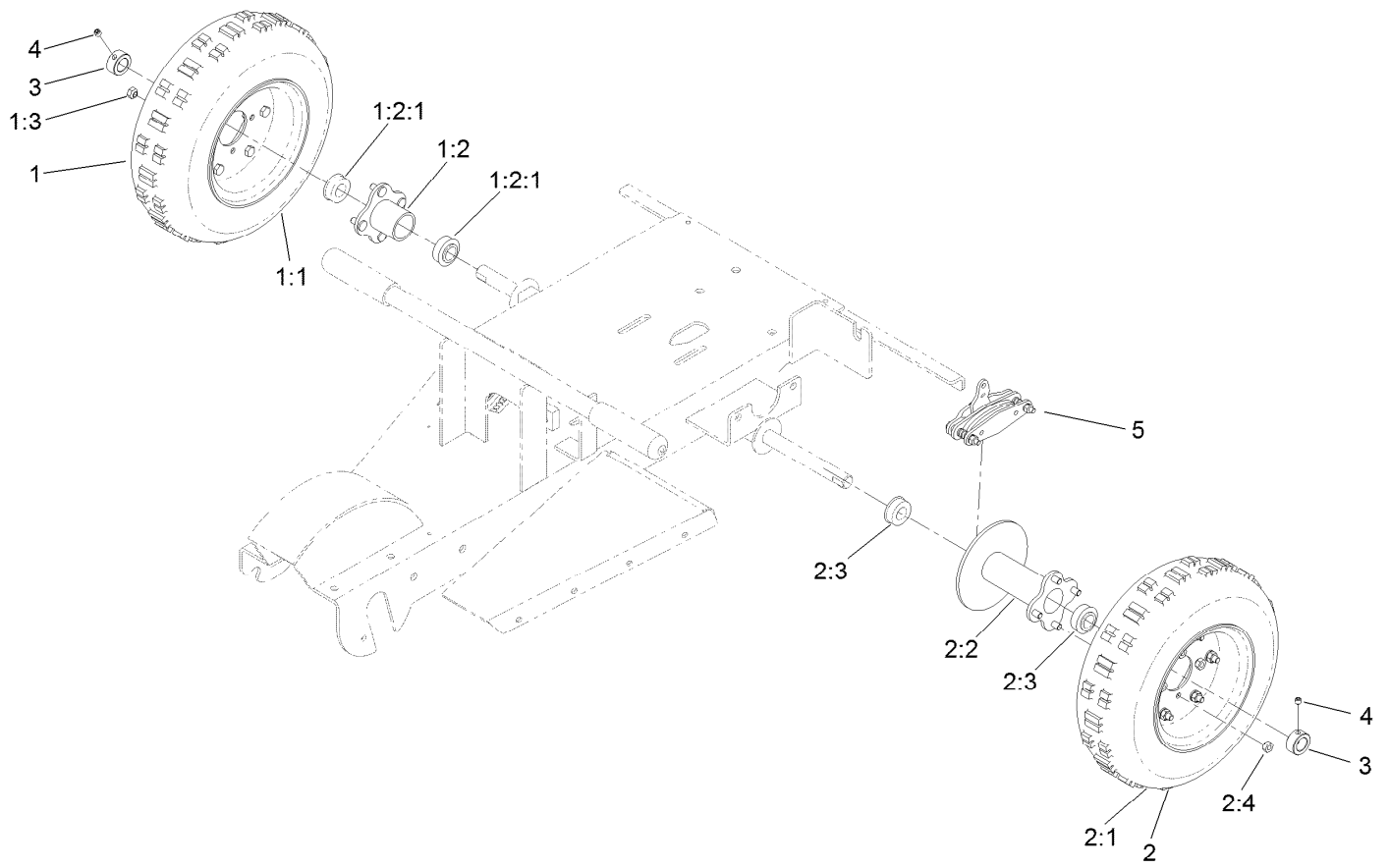
Brake Lever Assembly No. 120-1797

<i>Ref.</i>	<i>Part Number</i>	<i>Qty.</i>	<i>Description</i>
1	120-1219	1	Lever-Brake
2	120-1286	1	Cable-Brake
3	283-14	1	Pin-Clevis
4	88-7450	1	Spacer-Lever, Control
5	115-0826	1	Spacer-Idler
6	322-13	2	Screw-HH
7	3256-23	1	Washer-Plain
8	3272-6	1	Pin-Cotter
9	3296-29	2	Nut-Lock, NI
10	120-1798	1	Clamp-Conduit



Cutter Wheel Assembly

<i>Ref.</i>	<i>Part Number</i>	<i>Qty.</i>	<i>Description</i>
2	3211-41	4	Screw-HH
3	71-9310	8	Spacer
4	127-6852	4	Nut-Flange, Lock
5	136-1441	1	Wheel And Bearings Kit
5:1	120-1211	2	Bearing ASM
5:2	132-3991	1	3 Tooth Wheel/Shaft
5:3	132-4007	1	Grinder Tooth Kit (3-Pack)
5:3:1	130-2224	3	Tooth-Grinder
5:3:2	107-1413	3	Washer-Hardened
5:3:3	112-0236	3	Nut-Lock

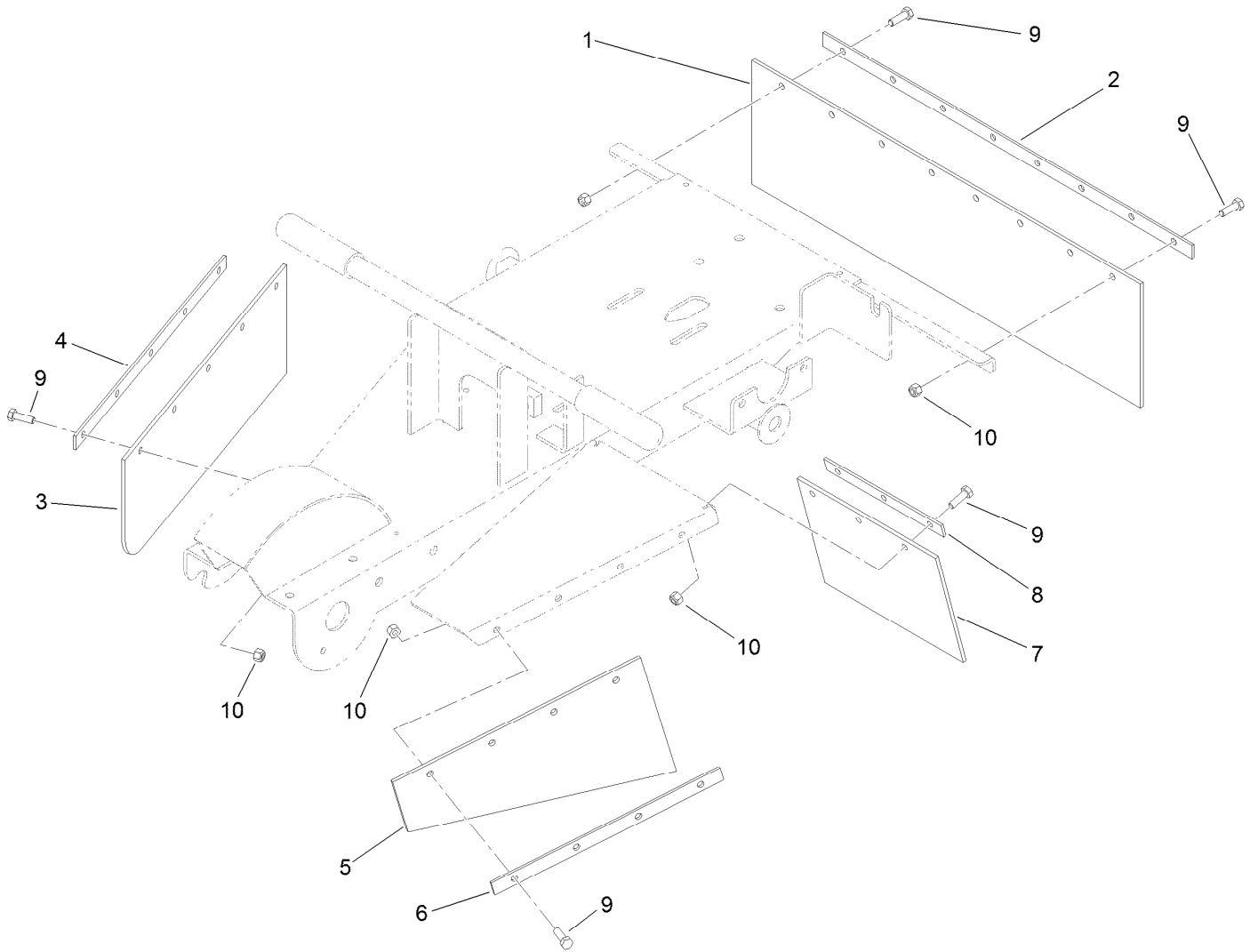


Wheel and Brake Assembly

Ref.	Part Number	Qty.	Description
1	120-1216	1	Tire ASM (W/ Hub)
1:1	120-1287	1	Tire ASM
1:2	120-1295	1	Hub
1:2:1	120-1296	2	Bearing-Wheel
1:3	120-1304	4	Nut-Wheel
2	120-1214	1	Tire ASM (W/ Hub And Brake)
2:1	120-1287	1	Tire ASM
2:2	120-1297	1	Hub
2:3	120-1296	2	Bearing-Wheel
2:4	120-1304	4	Nut-Wheel
3	120-1294	2	Collar-Set
4	3246-2	2	Screw-Set, HSH ●
5	120-1773	1	Brake-Caliper

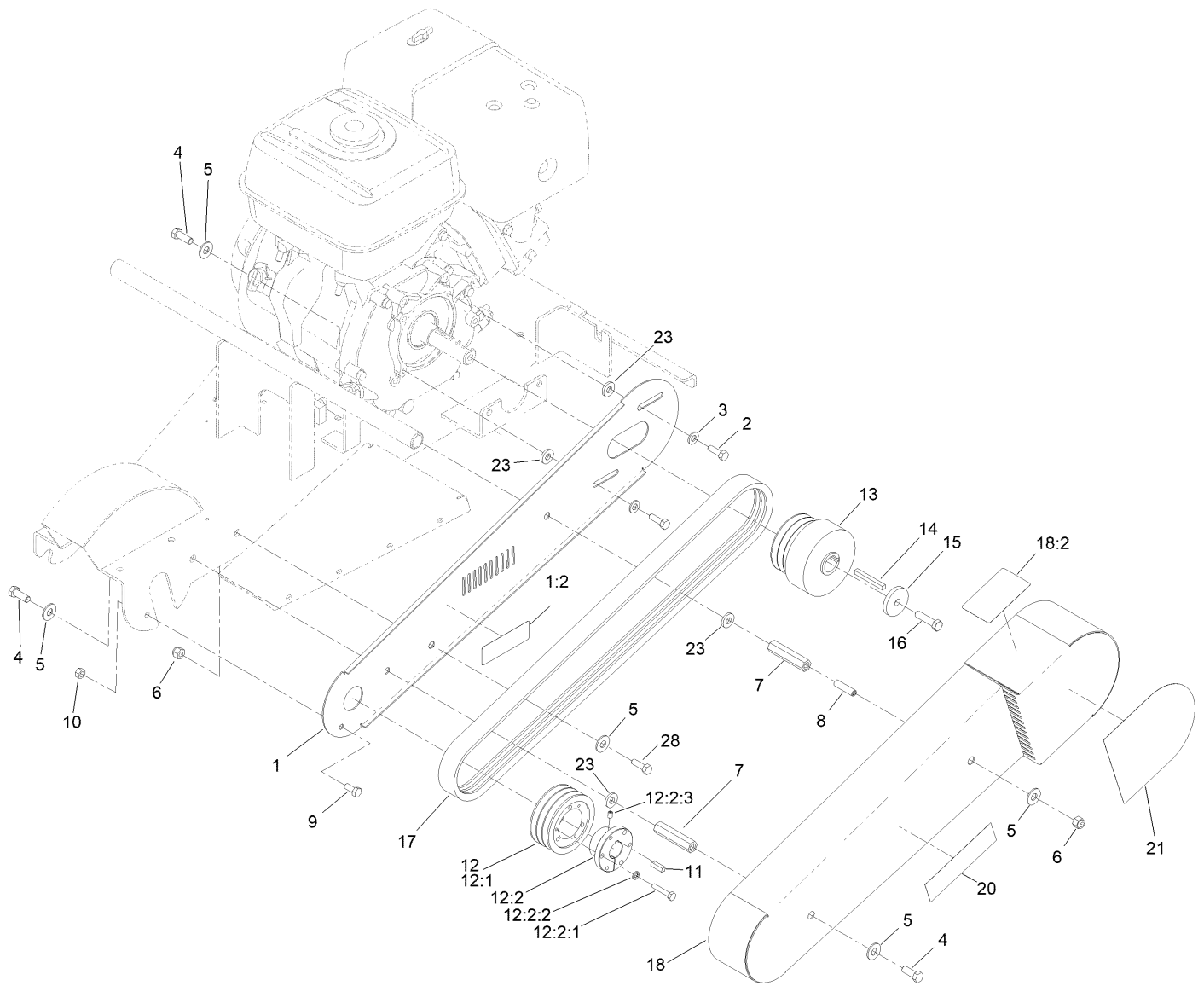
● Use Pro-Lock retaining type, Part no. 1-840023 (.5cc tube) on threads.

Flap Assembly



Flap Assembly (continued)

<i>Ref.</i>	<i>Part Number</i>	<i>Qty.</i>	<i>Description</i>	<i>Ref.</i>	<i>Part Number</i>	<i>Qty.</i>	<i>Description</i>
1	120-1236	1	Flap-Rear	6	120-1243-01	1	Bracket-Support, Flap (LH)
2	120-1238-01	1	Plate-Mounting, Flap	7	120-1244	1	Flap-Small
3	120-1240	1	Flap-RH	8	120-1246-01	1	Bracket-Support, Flap
4	120-1241-01	1	Bracket-Support, Flap (RH)	9	322-5	20	Screw-HH
5	120-1242	1	Flap-LH	10	3296-29	20	Nut-Lock, NI



Belt Drive Assembly

Ref.	Part Number	Qty.	Description	Ref.	Part Number	Qty.	Description
1	121-4413	1	Plate-Guard	12:2:1	321-13	3	Screw-HH
1:2	117-4979	1	Decal-Warning	12:2:2	3253-2	3	Washer-Lock
2	131-5919	2	Screw-HH, Patch	12:2:3	3245-2	1	Screw-Set, HSH
3	3256-38	2	Washer-Flat	13	120-1204	1	Clutch
4	323-6	3	Screw-HH	14	63-8150	1	Key-Square
5	3256-4	4	Washer-Flat	15	110-9981	1	Washer-Plain
6	3296-39	2	Nut-Lock, NI	16	3211-6	1	Screw-HH ●
7	120-1234	2	Spacer-Guard	17	120-1203	1	Belt-3V
8	3247-8	1	Screw-Set, HSH	18	121-4414	1	Belt Guard ASM
9	322-3	1	Screw-HH	18:2	119-4692	1	Decal-Caution
10	3217-6	1	Nut-Hex	20	120-1816	1	Decal
11	10-7070	1	Key-Square	21	119-4724	1	Decal
12	120-1298	1	Sheave ASM	23	43-0940	4	Spacer
12:1	95-0883	1	Pulley	28	126-4246	1	Screw-HH
12:2	61-3340	1	Bushing				

● Use Pro-Lock retaining type, Part no. 1-840023 (.5cc tube) on threads.

Attachments and Accessories

For 22615 SGR-13 Stump Grinder

Product Name	Model/Part
Wheel Tooth Kit.....	132-4006
3-Pack Wheel Tooth Kit.....	132-4007
6-Pack Wheel Tooth Kit.....	132-4008

For 22615G SGR-13 Stump Grinder

Product Name	Model/Part
Wheel Tooth Kit.....	132-4006
3-Pack Wheel Tooth Kit.....	132-4007
6-Pack Wheel Tooth Kit.....	132-4008

Notes:

Notes:



Count on it.