



Count on it.

Parts Catalog

**SnowMaster 724 QXE
Snowthrower**

Model No. 36002—Serial No. 406500000 and Up



Ordering Replacement Parts

To order replacement parts, please supply the part number, the quantity, and the description of each part desired.

Understanding Reference Numbers

Each identified part in an illustration has a reference number. The reference number for a part also appears in the parts list, along with other information about the part.

This catalog uses two special reference number formats, one to indicate parts in a service assembly and another to indicate the quantity of a given part in an illustration.

Service Assembly Reference Numbers

Parts in service assemblies have reference numbers in the form a:b. The a represents the reference number of the entire service assembly and the b represents a sequential number unique to each part within the service assembly.

For example, a wheel assembly might be identified by reference number 6, the tire by 6:1, the valve by 6:2, and the wheel by 6:3. When you order the assembly identified by reference number 6, you receive all parts identified by reference numbers 6:1, 6:2, and 6:3. However, you may also order any part individually. Reference numbers of this type appear in illustration and in parts lists.

Reference Numbers Indicating Quantity

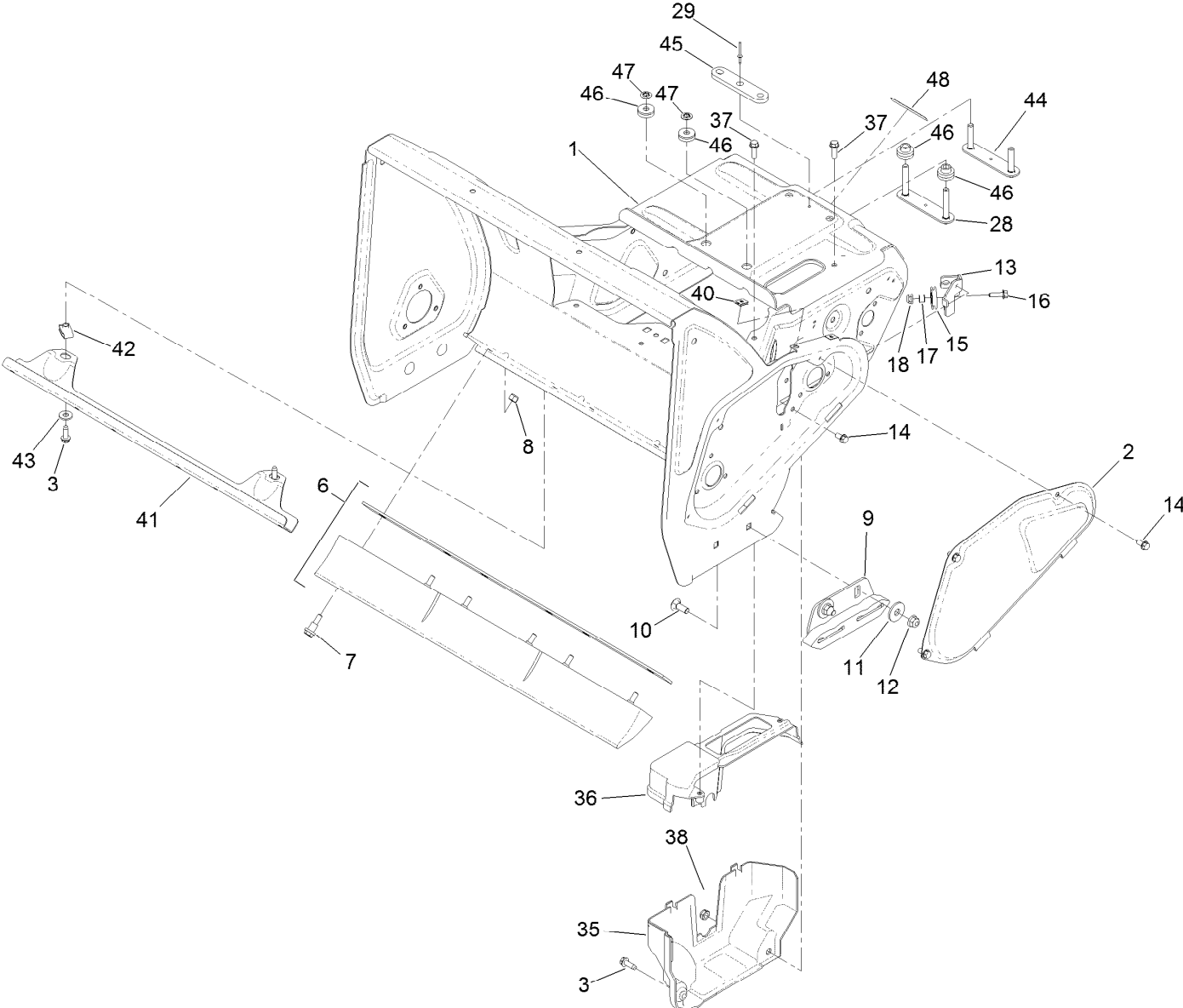
In an illustration, if a reference number indicates more than one part, the reference number has the form nX y. The n represents the quantity of the part, the X is the multiplication symbol, and the y represents the reference number.

For example, in an illustration, the reference number 2X 37 means that two of the parts identified by reference number 37 are indicated.

Contents

| | |
|---|----|
| Main Frame Assembly | 4 |
| Rotor Assembly | 6 |
| Rotor Drive Assembly | 8 |
| Transmission, Drive and Tire Assembly | 10 |
| Engine Assembly | 12 |
| Fuel System and Carburetor Assembly | 14 |
| Intake and Exhaust Assembly | 16 |
| Ignition and Electrical Assembly | 18 |
| Crankcase Assembly | 20 |
| Governor Assembly | 22 |
| Piston and Head Assembly | 24 |
| Blower Housing and Shrouds Assembly | 26 |
| Engine Decal Assembly | 28 |
| Chute Assembly | 30 |
| Chute Control Lever Assembly | 32 |
| Handle and Control Assembly | 34 |
| Attachments and Accessories | 36 |

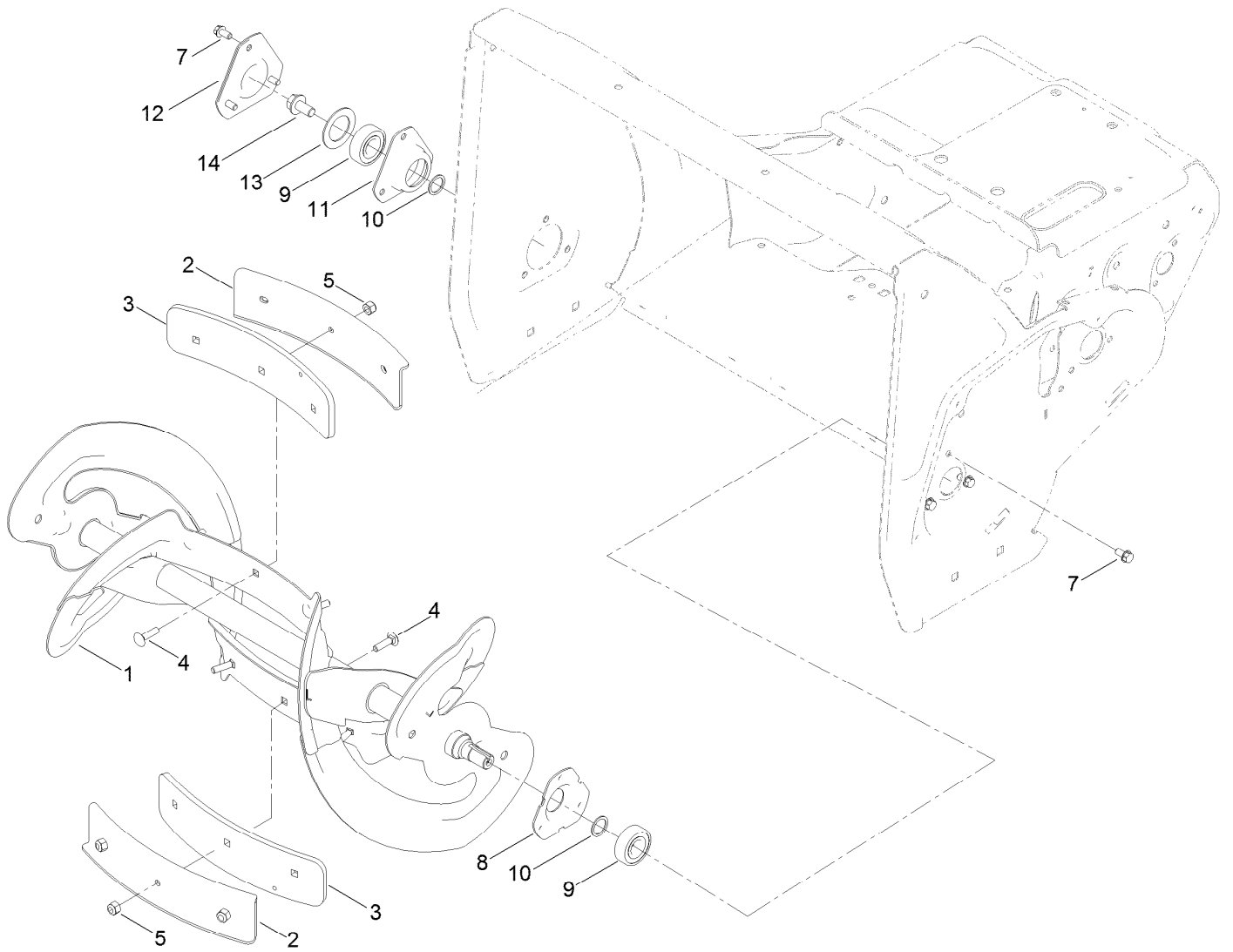
Main Frame Assembly



Main Frame Assembly (continued)

| <i>Ref.</i> | <i>Part Number</i> | <i>Qty.</i> | <i>Description</i> | <i>Ref.</i> | <i>Part Number</i> | <i>Qty.</i> | <i>Description</i> |
|-------------|--------------------|-------------|---------------------|-------------|--------------------|-------------|----------------------|
| 1 | 130-9550-01 | 1 | Frame | 28 | 136-7172 | 1 | Plate-Stud, Front |
| 2 | 130-9581-01 | 1 | Cover-Belt | 29 | 923786 | 1 | Rivet |
| 3 | 49-2040 | 3 | Screw-HWHTF | 35 | 131-1763 | 1 | Cover-Belt, Lower |
| 6 | 130-9628 | 1 | Scraper ASM | 36 | 131-1764 | 1 | Cover-Belt, Upper |
| 7 | 104-0858 | 6 | Bolt-Shoulder | 37 | 46-8091 | 2 | Screw-HWH |
| 8 | 3296-42 | 6 | Nut-Lock, NI | 38 | 3296-47 | 1 | Nut-Lock, NI |
| 9 | 130-9619 | 2 | Skid ASM | 40 | 107-1013 | 2 | Nut-Speed |
| 10 | 3230-16 | 4 | Screw-CARR | 41 | 131-1797-01 | 1 | Support-Frame, Lower |
| 11 | 52-2861 | 4 | Washer | 42 | 107069 | 2 | Clip |
| 12 | 104-8300 | 4 | Nut-HF, NI | 43 | 3256-2 | 2 | Washer-Flat |
| 13 | 131-1793-03 | 1 | Bracket-Cable | 44 | 136-7177 | 1 | Plate-Stud, Rear |
| 14 | 32144-4 | 4 | Screw-HWH | 45 | 131-5944-01 | 1 | Plate-Spacer |
| 15 | 95-7949 | 1 | Cable-Pulley | 46 | 131-5945 | 2 | Isolator-Engine |
| 16 | 115-5103 | 1 | Screw-HHF | 47 | 109-5667 | 2 | Nut-Push |
| 17 | 55-9370 | 1 | Spacer-Blade, Rotor | 48 | 133-8061 | 1 | Decal-Warning |
| 18 | 104-7201 | 1 | Nut-HF | | | | |

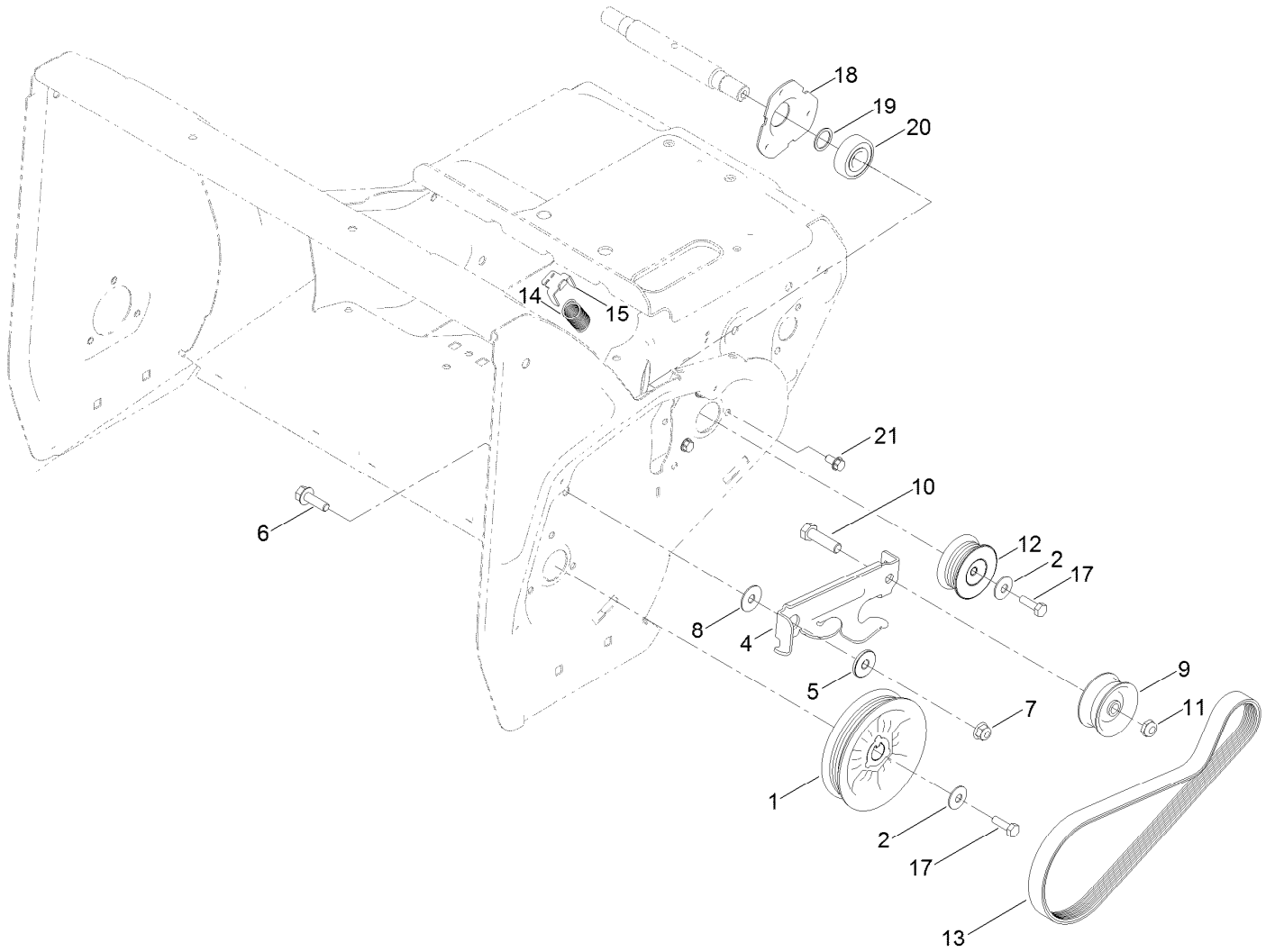
Rotor Assembly



Rotor Assembly (continued)

| <i>Ref.</i> | <i>Part Number</i> | <i>Qty.</i> | <i>Description</i> | <i>Ref.</i> | <i>Part Number</i> | <i>Qty.</i> | <i>Description</i> |
|-------------|--------------------|-------------|-----------------------|-------------|--------------------|-------------|--------------------|
| 1 | 130-9571-03 | 1 | Rotor ASM | 9 | 38-7820 | 2 | Bearing-Ball |
| 2 | 130-9568-03 | 2 | Support-Center, Rotor | 10 | 52-7280 | 2 | Washer-Thrust |
| 3 | 130-9569 | 2 | Paddle-Center | 11 | 136-7169 | 1 | Flange-Bearing |
| 4 | 3229-2 | 6 | Screw-CARR | 12 | 130-9558-01 | 1 | Cap-Bearing |
| 5 | 3296-42 | 6 | Nut-Lock, NI | 13 | 131-5905 | 1 | Washer-Rubber |
| 7 | 32144-4 | 6 | Screw-HWH | 14 | 110-9380 | 1 | Screw-HWH |
| 8 | 136-7134 | 1 | Flange-Bearing | | | | |

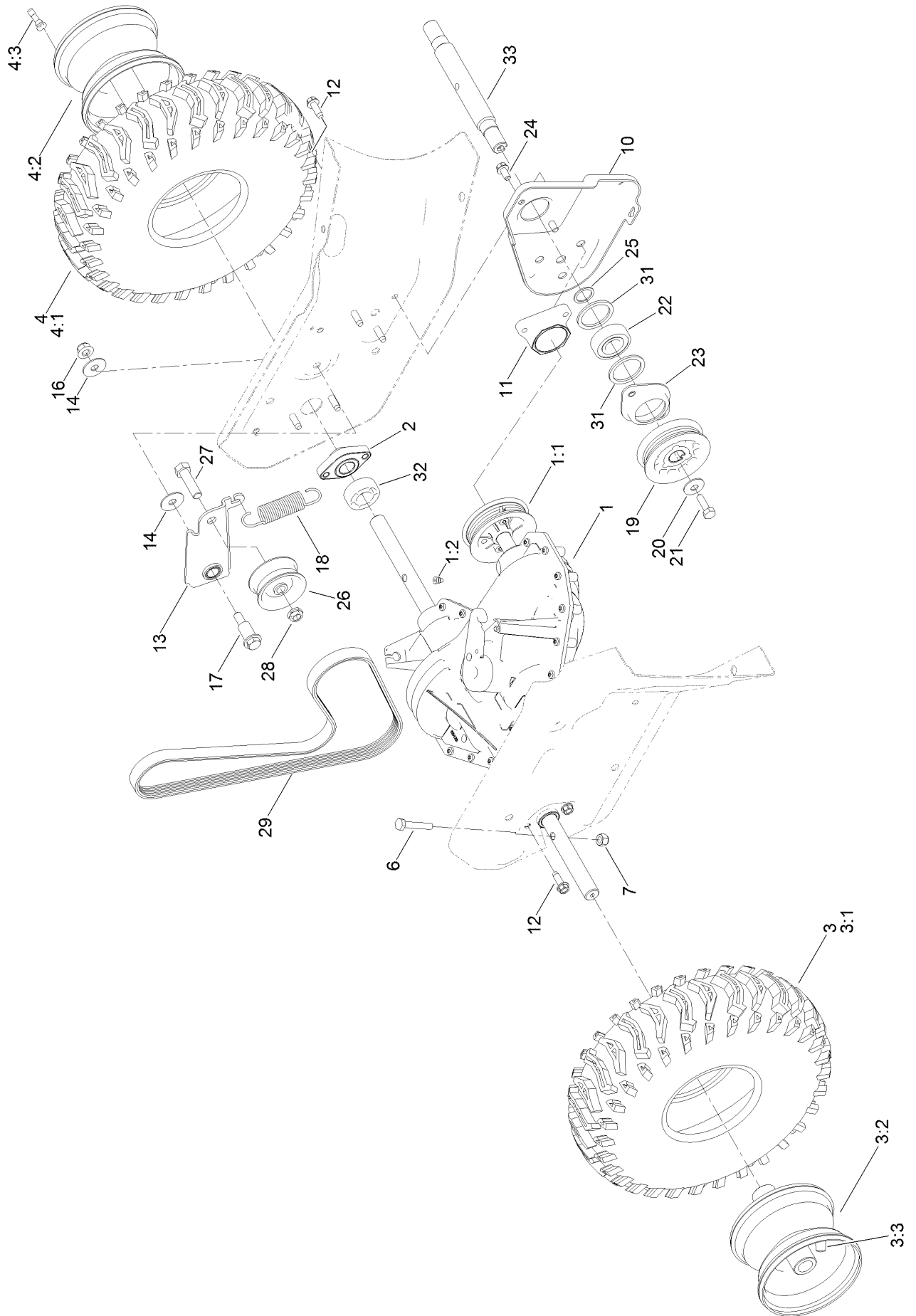
Rotor Drive Assembly



Rotor Drive Assembly (continued)

| <i>Ref.</i> | <i>Part Number</i> | <i>Qty.</i> | <i>Description</i> | <i>Ref.</i> | <i>Part Number</i> | <i>Qty.</i> | <i>Description</i> |
|-------------|--------------------|-------------|-----------------------|-------------|--------------------|-------------|-------------------------|
| 1 | 130-9574 | 1 | Pulley-Rotor | 12 | 130-9577 | 1 | Pulley-Jackshaft, Rotor |
| 2 | 3290-456 | 2 | Washer-Belleville | 13 | 131-5967 | 1 | Belt-Poly V |
| 4 | 136-7179 | 1 | Arm-Engagement, Rotor | 14 | 130-9572 | 1 | Spring-Extension |
| 5 | 117-7711 | 1 | Bushing-Idler | 15 | 136-7133 | 1 | Clip-Spring |
| 6 | 3234-29 | 1 | Screw-HHF | 17 | 9080046 | 2 | Screw-HH |
| 7 | 104-8300 | 1 | Nut-HF, NI | 18 | 136-7134 | 1 | Flange-Bearing |
| 8 | 108-4925 | 1 | Washer | 19 | 52-7280 | 1 | Washer-Thrust |
| 9 | 131-5988 | 1 | Pulley-Idler, Flat | 20 | 38-7820 | 1 | Bearing-Ball |
| 10 | 323-29 | 1 | Screw-HH | 21 | 32144-4 | 3 | Screw-HWH |
| 11 | 3296-59 | 1 | Nut-Lock, NI | | | | |

Transmission, Drive and Tire Assembly

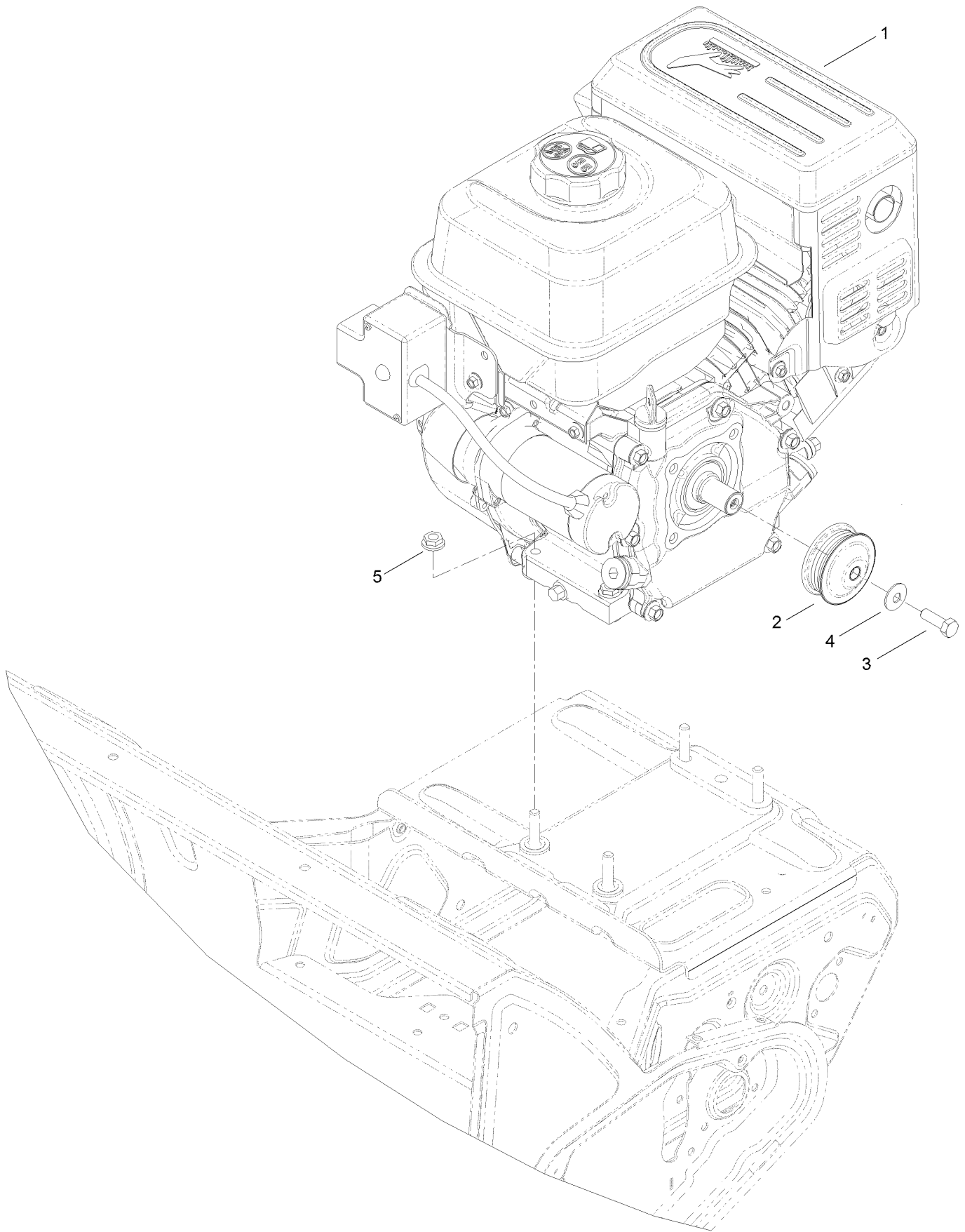


Transmission, Drive and Tire Assembly (continued)

| <i>Ref.</i> | <i>Part Number</i> | <i>Qty.</i> | <i>Description</i> | <i>Ref.</i> | <i>Part Number</i> | <i>Qty.</i> | <i>Description</i> |
|-------------|--------------------|-------------|--------------------------|-------------|--------------------|-------------|--------------------|
| 1 | 130-9642 | 1 | Transmission | 14 | 108-4925 | 2 | Washer |
| 1:1 | 131-5973 | 1 | Pulley Repair Kit | 16 | 104-8300 | 1 | Nut-HF, NI |
| 1:2 | 131-5984 | 1 | Plug-Oil | 17 | 136-7192 | 1 | Bolt-Shoulder, HHF |
| 2 | 130-9643 | 2 | Bearing-Axle | 18 | 130-9645 | 1 | Spring-Extension |
| 3 | | 1 | RH Wheel And Tire ASM ● | 19 | 130-9583 | 1 | Pulley-Jackshaft |
| 3:1 | 130-9559 | 1 | Tire | 20 | 3290-456 | 1 | Washer-Belleville |
| 3:2 | 130-9560 | 1 | Wheel | 21 | 9080046 | 1 | Screw-HH |
| 3:3 | 232-27 | 1 | Stem-Valve | 22 | 38-7820 | 1 | Bearing-Ball |
| 4 | | 1 | LH Wheel And Tire ASM ● | 23 | 136-7171 | 1 | Retainer-Bearing |
| 4:1 | 130-9559 | 1 | Tire | 24 | 32144-4 | 2 | Screw-HWH |
| 4:2 | 130-9560 | 1 | Wheel | 25 | 52-7280 | 1 | Washer-Thrust |
| 4:3 | 232-27 | 1 | Stem-Valve | 26 | 131-5988 | 1 | Pulley-Idler, Flat |
| 6 | 321-9 | 2 | Screw-HH | 27 | 323-29 | 1 | Screw-HH |
| 7 | 3296-42 | 2 | Nut-Lock, NI | 28 | 3296-59 | 1 | Nut-Lock, NI |
| 10 | 130-9586-03 | 1 | Plate-Support, Jackshaft | 29 | 131-5968 | 1 | Belt-Poly V |
| 11 | 131-1794 | 1 | Support-Bearing | 31 | 131-5904 | 2 | Washer-Rubber |
| 12 | 49-2040 | 7 | Screw-HWHTF | 32 | 131-5910 | 1 | Spacer-Axle |
| 13 | 131-1795 | 1 | Idler-Traction | 33 | 130-9585 | 1 | Jackshaft |

● Not serviced separately

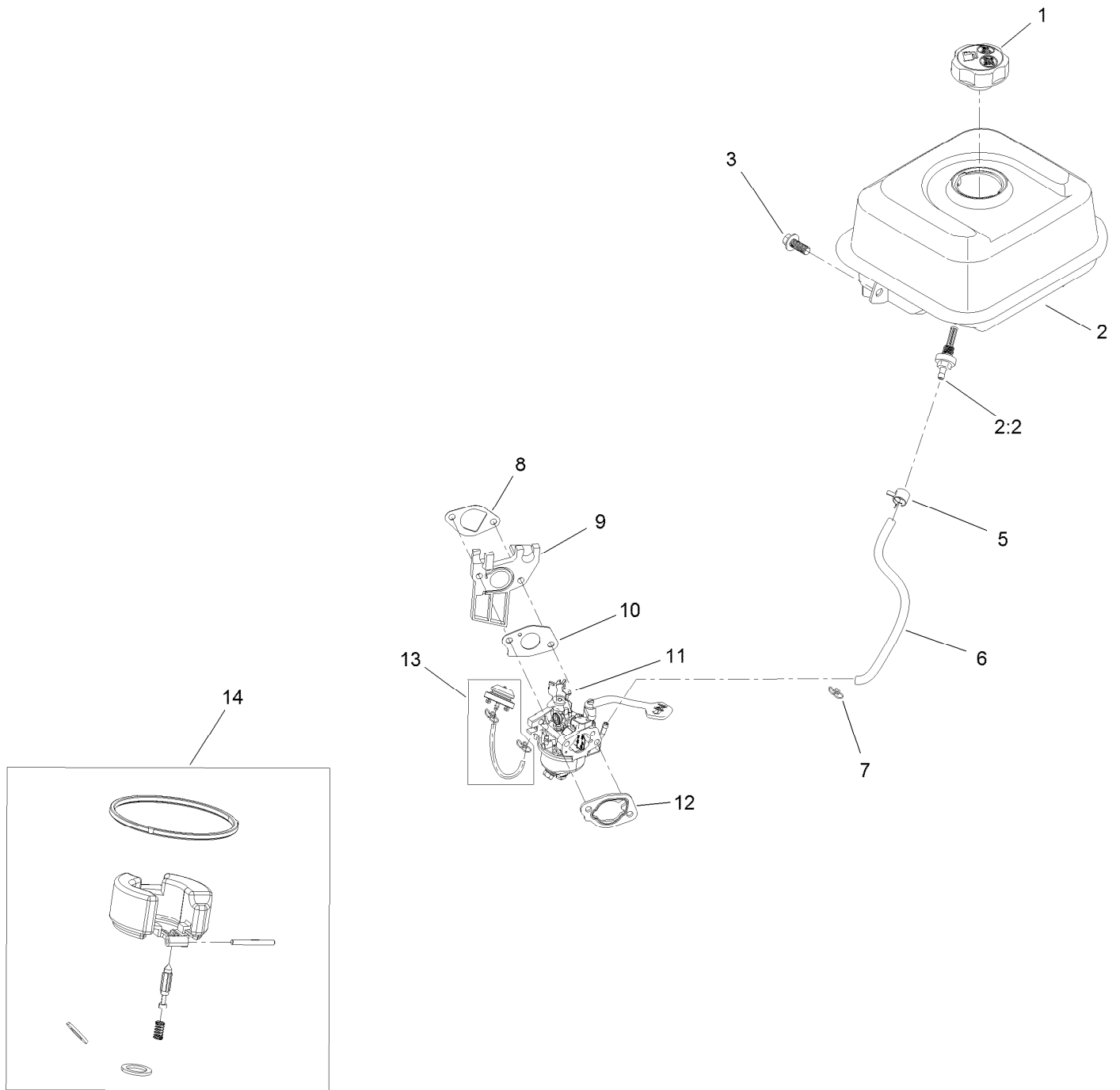
Engine Assembly



Engine Assembly (continued)

| <i>Ref.</i> | <i>Part Number</i> | <i>Qty.</i> | <i>Description</i> | <i>Ref.</i> | <i>Part Number</i> | <i>Qty.</i> | <i>Description</i> |
|-------------|--------------------|-------------|--------------------|-------------|--------------------|-------------|--------------------|
| 1 | 127-9171 | 1 | Engine-G210Fds-2 | 4 | 3290-456 | 1 | Washer-Belleville |
| 2 | 131-5908 | 1 | Pulley-Engine | 5 | 32128-20 | 4 | Nut-HF |
| 3 | 131-5919 | 1 | Screw-HH, Patch | | | | |

Fuel System and Carburetor Assembly

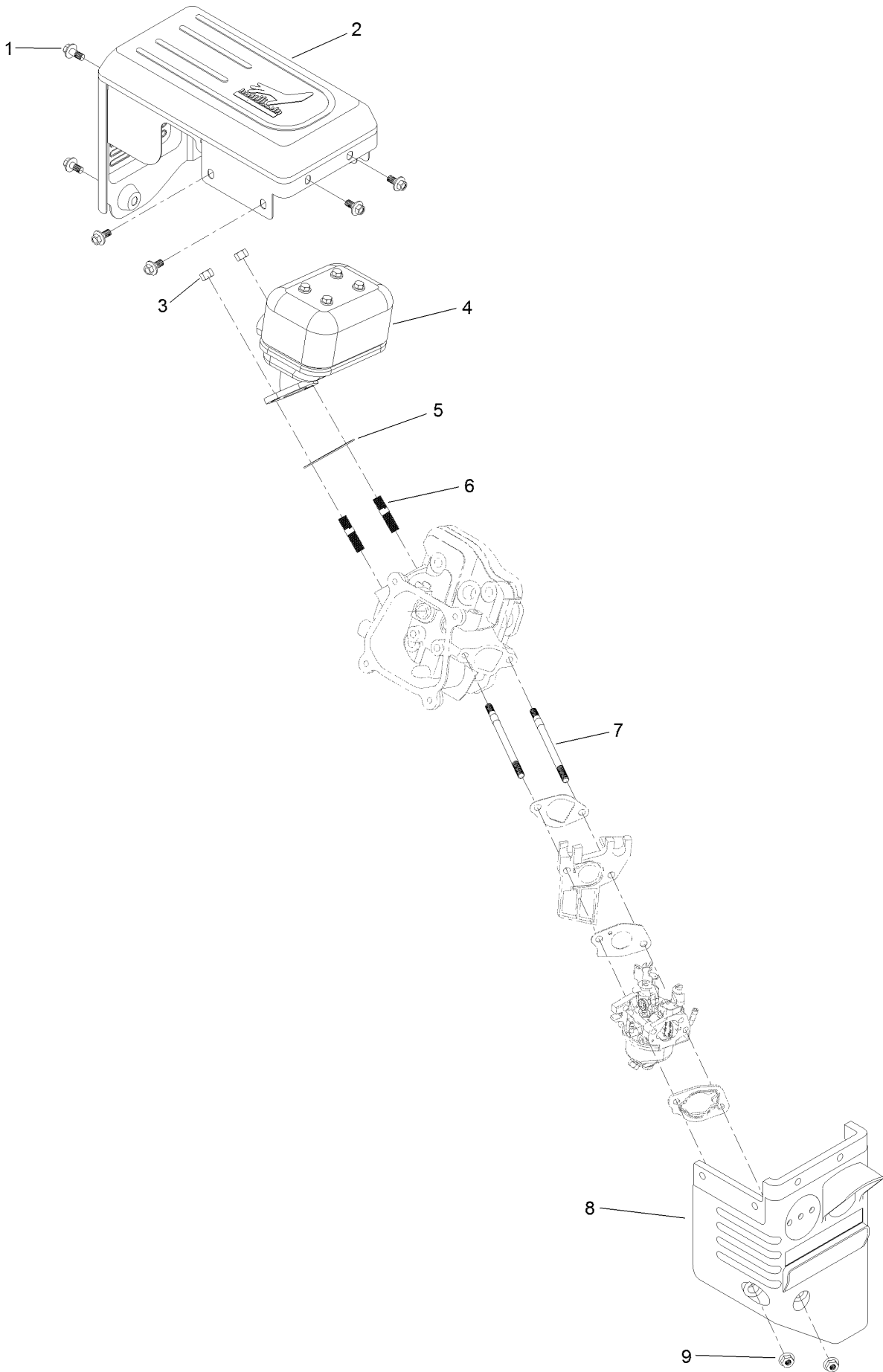


Fuel System and Carburetor Assembly (continued)

| <i>Ref.</i> | <i>Part Number</i> | <i>Qty.</i> | <i>Description</i> | <i>Ref.</i> | <i>Part Number</i> | <i>Qty.</i> | <i>Description</i> |
|-------------|--------------------|-------------|--------------------------|-------------|--------------------|-------------|----------------------------|
| 1 | 133-9823 | 1 | Cap-Fuel | 9 | 121-0077 | 1 | Insulator-Carburetor |
| 2 | 127-9497 | 1 | Fuel Tank And Filter ASM | 10 | 121-0078 | 1 | Gasket-Carburetor |
| 2:2 | 127-9065 | 1 | Filter-Fuel | 11 | 127-9111 | 1 | Carburetor ASM |
| 3 | 121-0294 | 1 | Screw-HHF | 12 | 121-0080 | 1 | Gasket-Carburetor |
| 5 | 127-9120 | 1 | Clamp-Hose | 13 | 127-9079 | 1 | Primer Kit |
| 6 | 127-9403 | 1 | Hose-Fuel | 14 | 127-9394 | 1 | Internal Carb Service Kit |
| 7 | 121-0087 | 1 | Clamp-Hose | 99 | 127-9301 | 1 | High Altitude Kit - G210 ● |
| 8 | 121-0076 | 1 | Gasket-Carburetor | | | | |

● Not illustrated

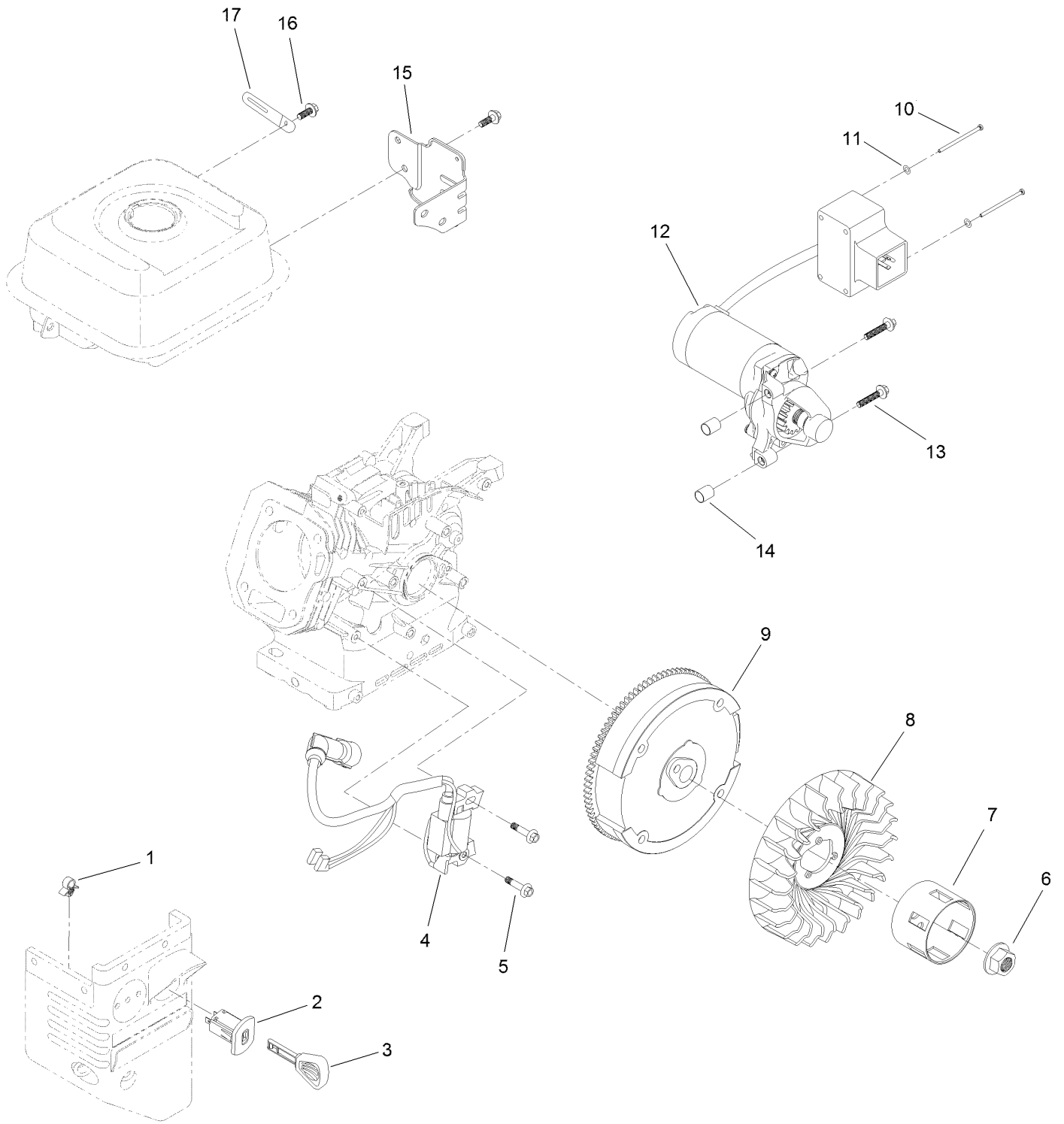
Intake and Exhaust Assembly



Intake and Exhaust Assembly (continued)

| <i>Ref.</i> | <i>Part Number</i> | <i>Qty.</i> | <i>Description</i> | <i>Ref.</i> | <i>Part Number</i> | <i>Qty.</i> | <i>Description</i> |
|-------------|--------------------|-------------|--------------------|-------------|--------------------|-------------|--------------------|
| 1 | 121-0294 | 6 | Screw-HHF | 6 | 121-0464 | 2 | Stud-Exhaust |
| 2 | 136-7778 | 1 | Guard-Muffler | 7 | 121-4112 | 2 | Stud-Intake |
| 3 | 121-0199 | 2 | Nut-HH | 8 | 127-9112 | 1 | Box-Heater |
| 4 | 133-9846 | 1 | Muffler ASM | 9 | 121-0308 | 2 | Nut-Flange |
| 5 | 121-0167 | 1 | Gasket-Exhaust | | | | |

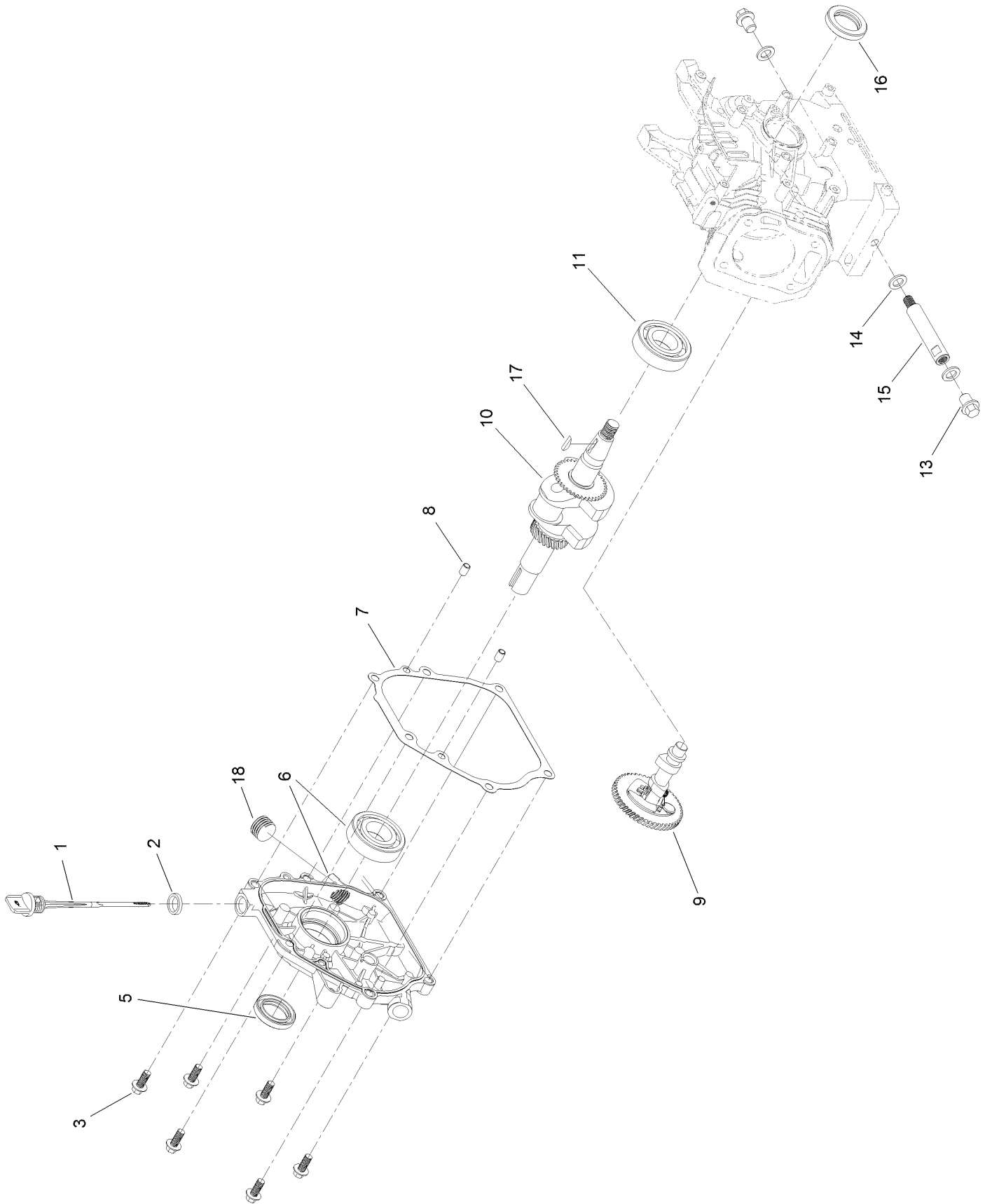
Ignition and Electrical Assembly



Ignition and Electrical Assembly (continued)

| <i>Ref.</i> | <i>Part Number</i> | <i>Qty.</i> | <i>Description</i> | <i>Ref.</i> | <i>Part Number</i> | <i>Qty.</i> | <i>Description</i> |
|-------------|--------------------|-------------|--------------------|-------------|--------------------|-------------|---------------------|
| 1 | 121-0326 | 1 | Clip | 10 | 121-0306 | 2 | Screw-Bhp |
| 2 | 121-0283 | 1 | Switch-Key | 11 | 121-0312 | 2 | Washer-Plain |
| 3 | 117-7728 | 1 | Key | 12 | 136-7776 | 1 | Motor-Starter |
| 4 | 136-7769 | 1 | Ignition Coil ASM | 13 | 133-1546 | 2 | Screw-Flange |
| 5 | 121-0097 | 2 | Screw-HHF | 14 | 121-0055 | 2 | Pin-Dowel |
| 6 | 121-0047 | 1 | Nut-Flange | 15 | 127-9407 | 1 | Bracket-Box, Switch |
| 7 | 127-9106 | 1 | Cup-Starter | 16 | 127-9123 | 2 | Screw-HHF |
| 8 | 127-9002 | 1 | Fan | 17 | 121-0017 | 1 | Clip-Harness, Wire |
| 9 | 127-9005 | 1 | Flywheel | | | | |

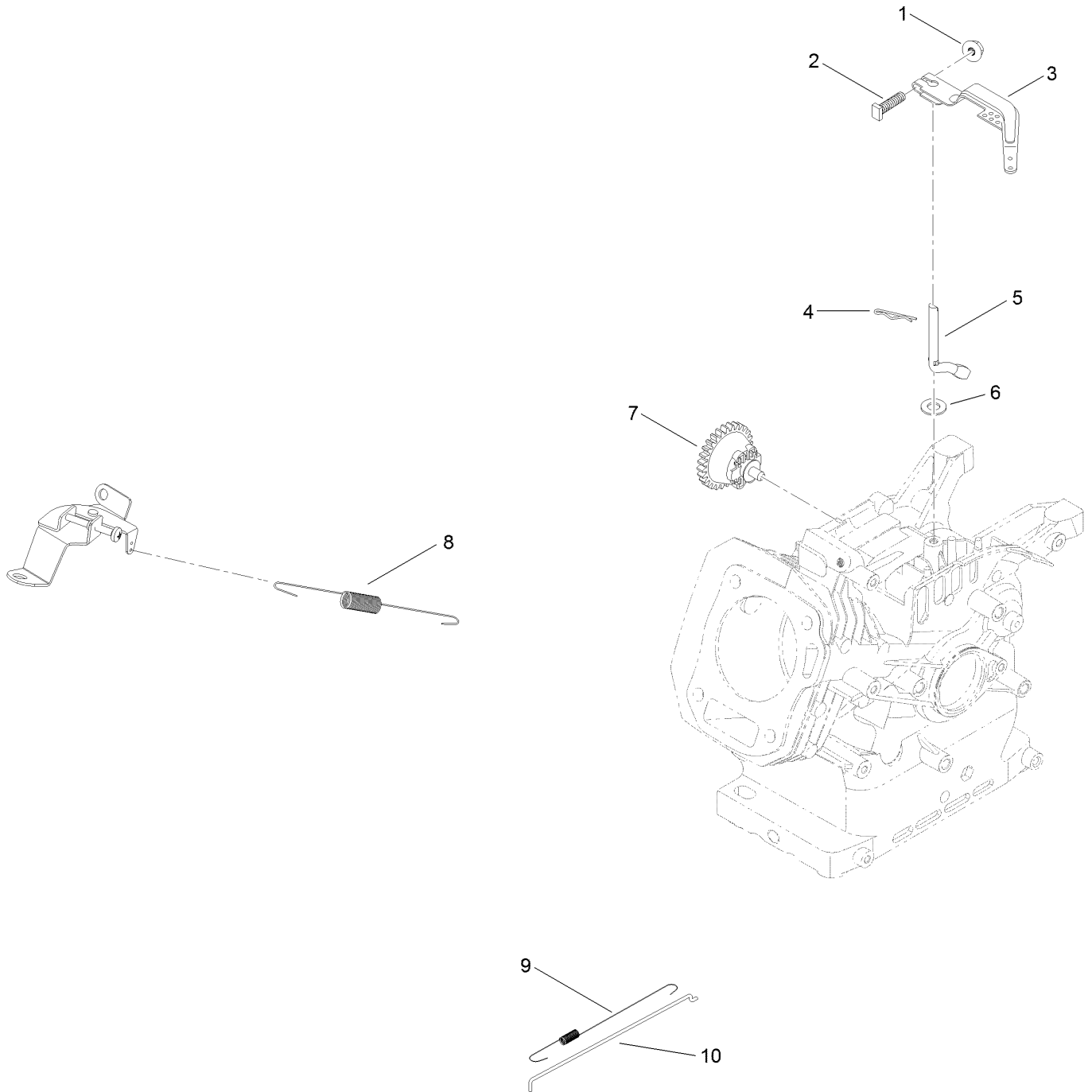
Crankcase Assembly



Crankcase Assembly (continued)

| <i>Ref.</i> | <i>Part Number</i> | <i>Qty.</i> | <i>Description</i> | <i>Ref.</i> | <i>Part Number</i> | <i>Qty.</i> | <i>Description</i> |
|-------------|--------------------|-------------|-------------------------|-------------|--------------------|-------------|--------------------|
| 1 | 127-9409 | 1 | Dipstick-Oil | 10 | 127-9399 | 1 | Crankshaft |
| 2 | 127-9492 | 1 | Gasket-Dipstick, Rubber | 11 | 121-0056 | 1 | Bearing-Ball |
| 3 | 121-4114 | 6 | Screw-HHF | 13 | 121-0030 | 2 | Screw-HHF |
| 5 | 121-0209 | 1 | Seal-Oil | 14 | 121-0048 | 3 | Washer-Plain |
| 6 | 133-9843 | 1 | Crankcase Cover ASM | 15 | 127-9104 | 1 | Tube-Drain, Oil |
| 7 | 121-0105 | 1 | Gasket-Cover, Crankcase | 16 | 121-0208 | 1 | Seal-Oil |
| 8 | 121-0054 | 2 | Pin-Dowel | 17 | 120-4320 | 1 | Key-Woodruff |
| 9 | 139-0733 | 1 | Camshaft | 18 | 133-9805 | 1 | Plug-Drain |

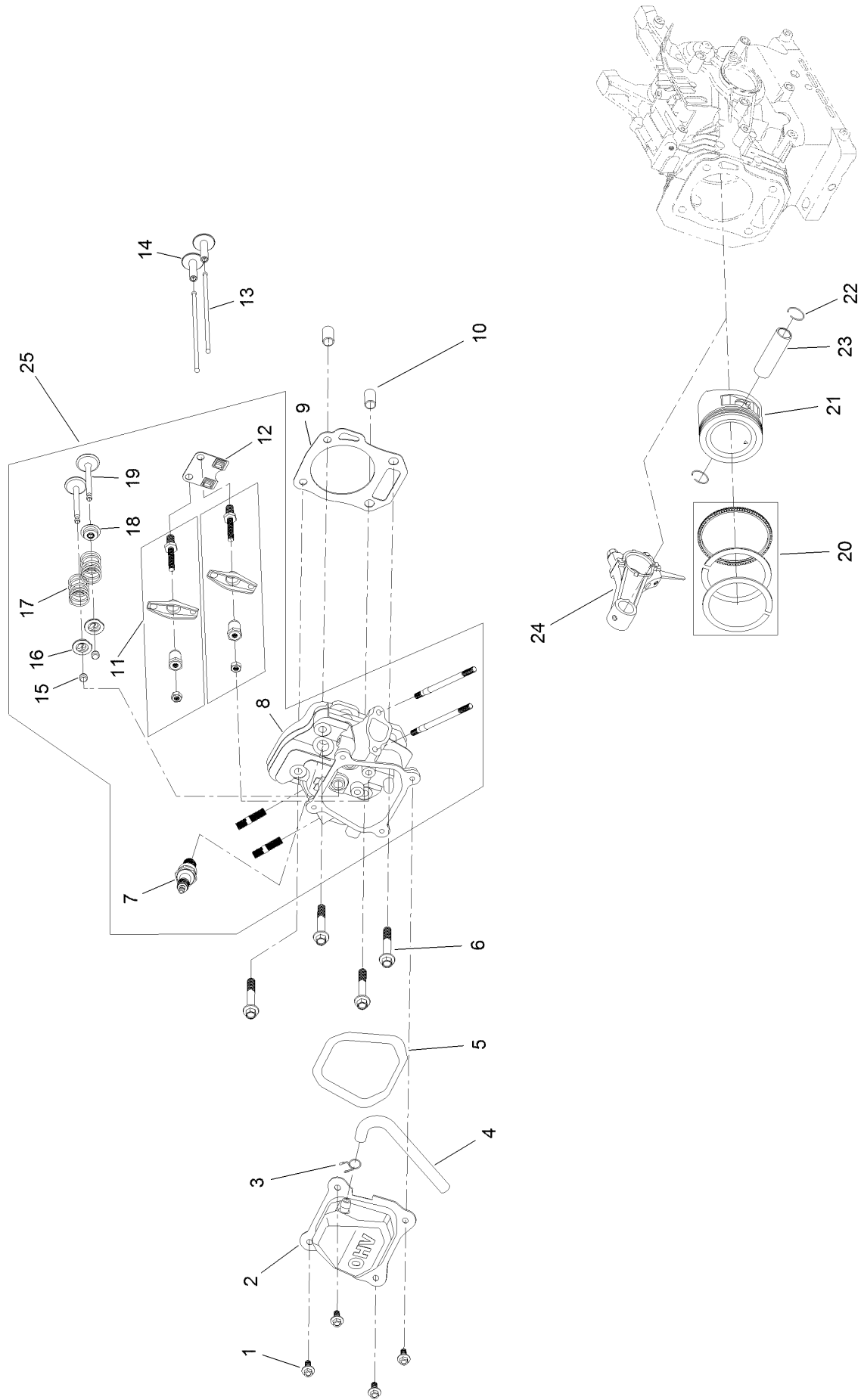
Governor Assembly



Governor Assembly (continued)

| <i>Ref.</i> | <i>Part Number</i> | <i>Qty.</i> | <i>Description</i> | <i>Ref.</i> | <i>Part Number</i> | <i>Qty.</i> | <i>Description</i> |
|-------------|--------------------|-------------|--------------------|-------------|--------------------|-------------|-------------------------|
| 1 | 120-4236 | 1 | Nut-Flange | 6 | 121-0498 | 1 | Washer-Plain |
| 2 | 120-4238 | 1 | Bolt-Arm, Governor | 7 | 133-9994 | 1 | Governor Gear ASM |
| 3 | 121-0155 | 1 | Arm-Governor | 8 | 127-9398 | 1 | Spring-Governor |
| 4 | 120-4256 | 1 | Pin-Hair | 9 | 121-0153 | 1 | Spring-Return, Throttle |
| 5 | 136-7763 | 1 | Shaft-Governor | 10 | 121-0148 | 1 | Rod-Governor |

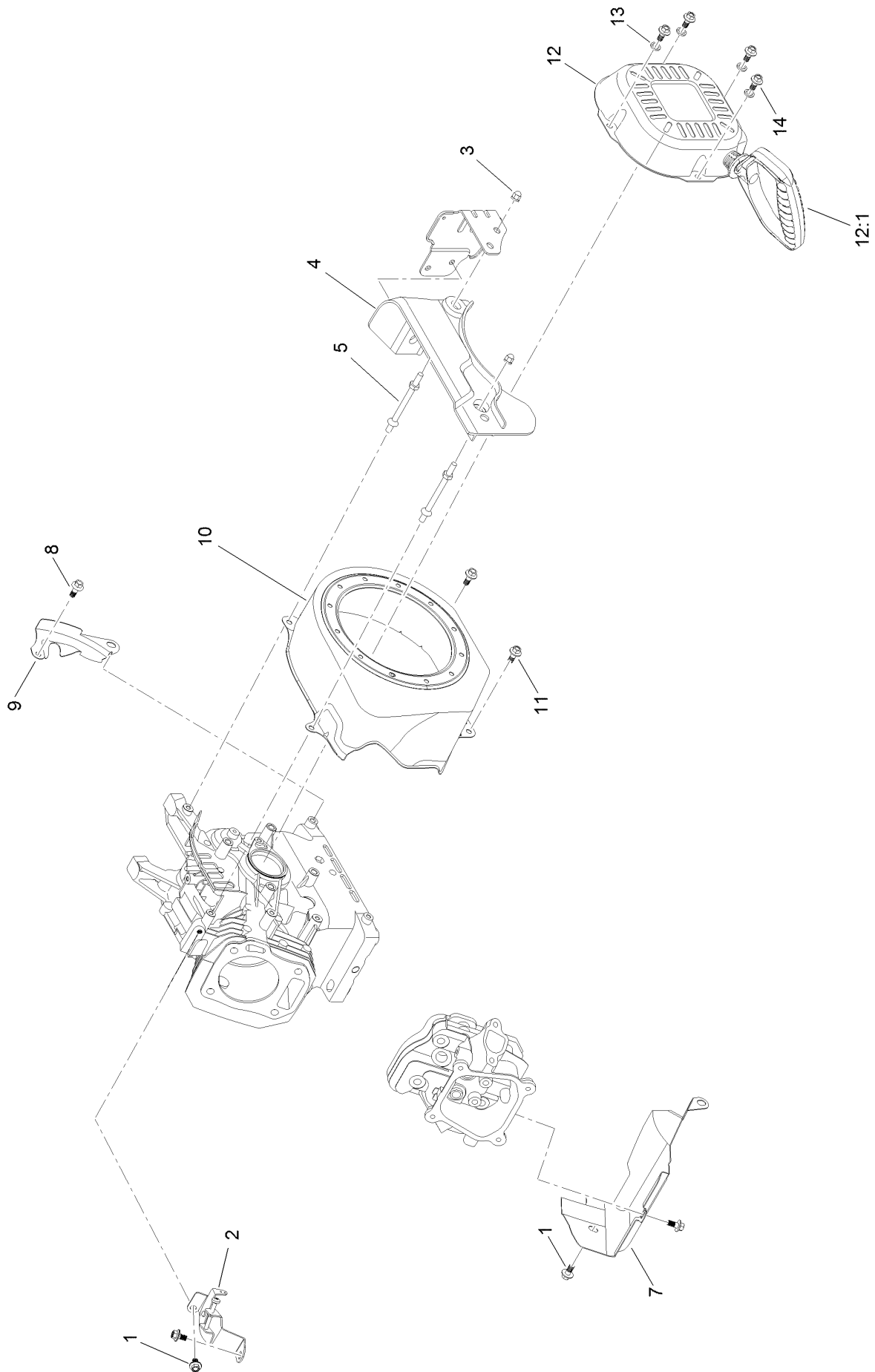
Piston and Head Assembly



Piston and Head Assembly (continued)

| <i>Ref.</i> | <i>Part Number</i> | <i>Qty.</i> | <i>Description</i> | <i>Ref.</i> | <i>Part Number</i> | <i>Qty.</i> | <i>Description</i> |
|-------------|--------------------|-------------|-----------------------|-------------|--------------------|-------------|------------------------|
| 1 | 120-4454 | 4 | Screw-HHF | 14 | 127-9015 | 2 | Tappet-Valve |
| 2 | 127-9094 | 1 | Cover-Valve | 15 | 121-4116 | 2 | Rotator-Valve |
| 3 | 127-9408 | 1 | Clamp-Hose | 16 | 121-4117 | 2 | Retainer-Spring, Valve |
| 4 | 139-0631 | 1 | Tube-Breather | 17 | 127-9014 | 2 | Spring-Valve |
| 5 | 121-0109 | 1 | Gasket-Cover, Valve | 18 | 121-4202 | 1 | Seal-Stem, Valve |
| 6 | 121-4110 | 4 | Screw-HHF | 19 | 127-9016 | 1 | Valve Set |
| 7 | 81-3250 | 1 | Spark Plug | 20 | 121-4295 | 1 | Ring Set, Piston |
| 8 | 127-9013 | 1 | Head-Cylinder | 21 | 121-4293 | 1 | Piston |
| 9 | 127-9000 | 1 | Gasket-Head, Cylinder | 22 | 121-0313 | 2 | Clip-Pin, Piston |
| 10 | 121-0053 | 2 | Pin-Dowel | 23 | 121-4128 | 1 | Pin-Piston |
| 11 | 120-4475 | 2 | Rocker Arm ASM | 24 | 127-9017 | 1 | Connecting Rod ASM |
| 12 | 121-4120 | 1 | Plate-Guide, Push Rod | 25 | 133-9839 | 1 | Complete Head ASM |
| 13 | 121-4121 | 2 | Rod-Push | | | | |

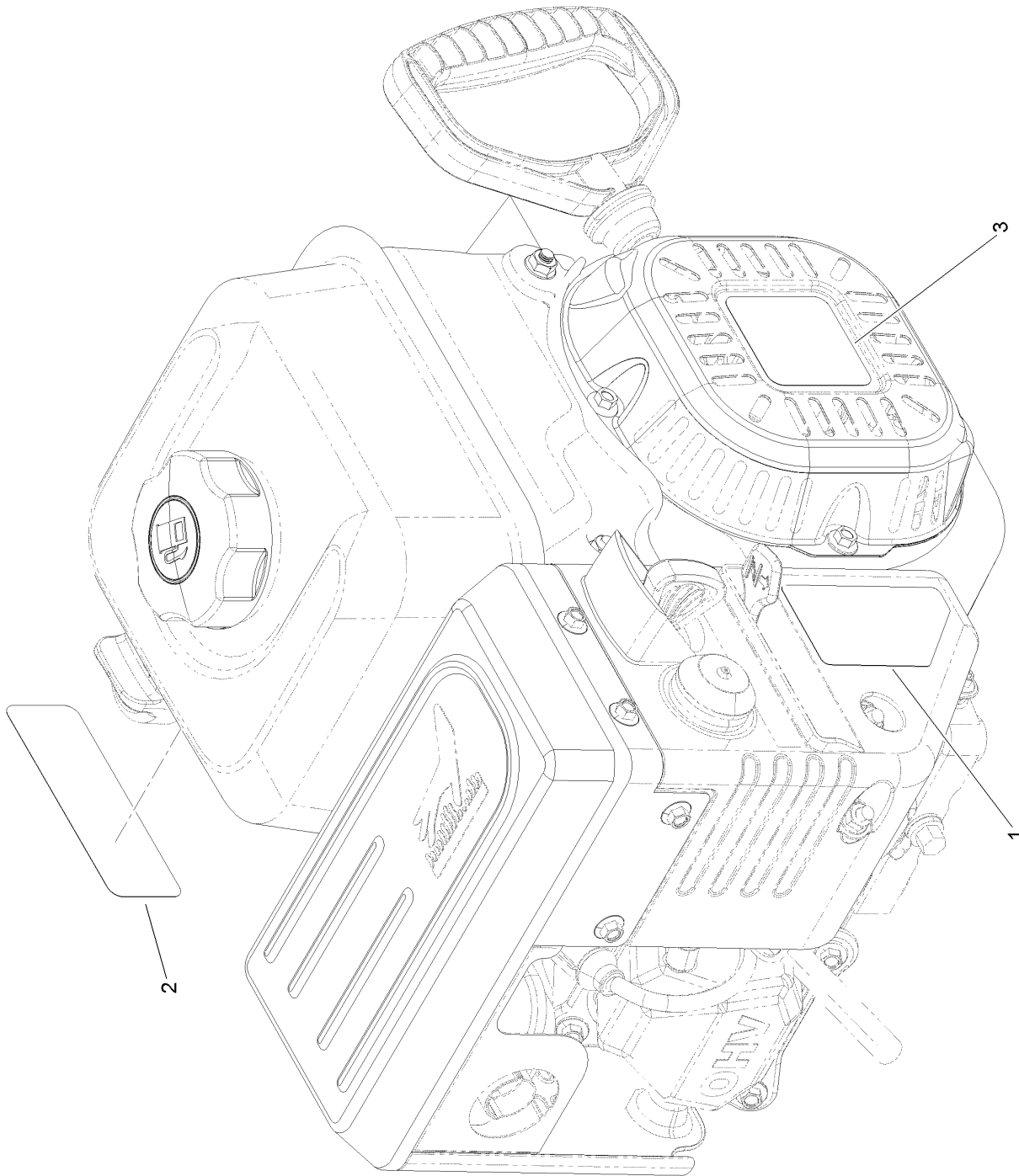
Blower Housing and Shrouds Assembly



Blower Housing and Shrouds Assembly (continued)

| <i>Ref.</i> | <i>Part Number</i> | <i>Qty.</i> | <i>Description</i> | <i>Ref.</i> | <i>Part Number</i> | <i>Qty.</i> | <i>Description</i> |
|-------------|--------------------|-------------|--------------------|-------------|--------------------|-------------|--------------------|
| 1 | 121-0118 | 4 | Screw-HHF | 9 | 127-9121 | 1 | Shield-Flywheel |
| 2 | 127-9396 | 1 | Speed Control ASM | 10 | 127-9401 | 1 | Shroud-Blower |
| 3 | 127-9383 | 2 | Nut-Acorn | 11 | 121-0294 | 2 | Screw-HHF |
| 4 | 127-9406 | 1 | Panel-Front | 12 | 127-9402 | 1 | Recoil Starter ASM |
| 5 | 127-9110 | 2 | Stud-Mount | 12:1 | 121-0287 | 1 | Handle-Recoil |
| 7 | 127-9096 | 1 | Shroud-Lower | 13 | 127-9380 | 4 | Washer-Plain |
| 8 | 120-4454 | 1 | Screw-HHF | 14 | 127-9031 | 4 | Screw-HHF |

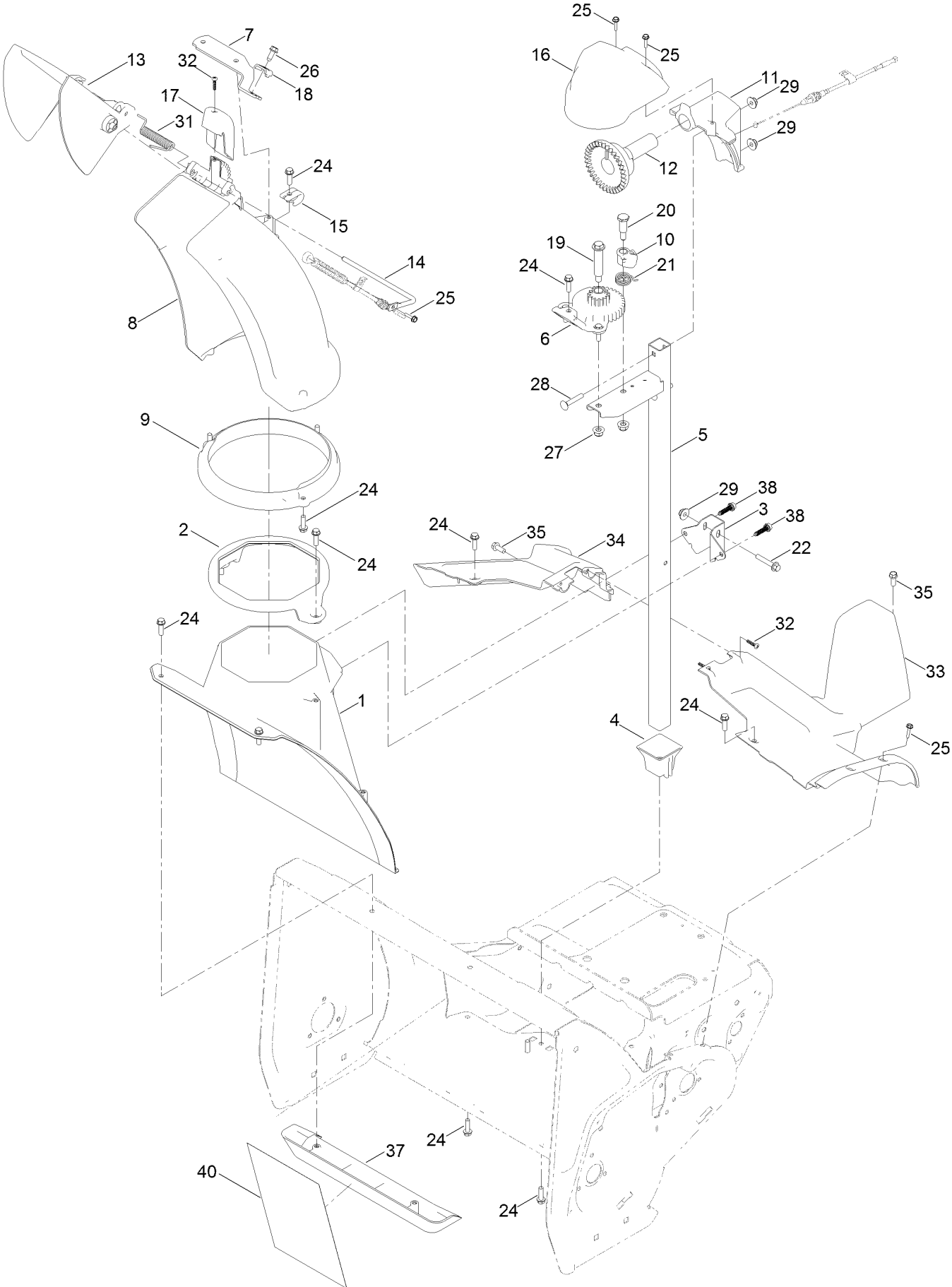
Engine Decal Assembly



Engine Decal Assembly (continued)

| <i>Ref.</i> | <i>Part Number</i> | <i>Qty.</i> | <i>Description</i> |
|-------------|--------------------|-------------|---------------------------|
| 1 | 120-9805 | 1 | Decal-Control, Engine |
| 2 | 120-9806 | 1 | Decal-Engine, Series G210 |
| 3 | 120-9809 | 1 | Decal-Recoil, G210 |

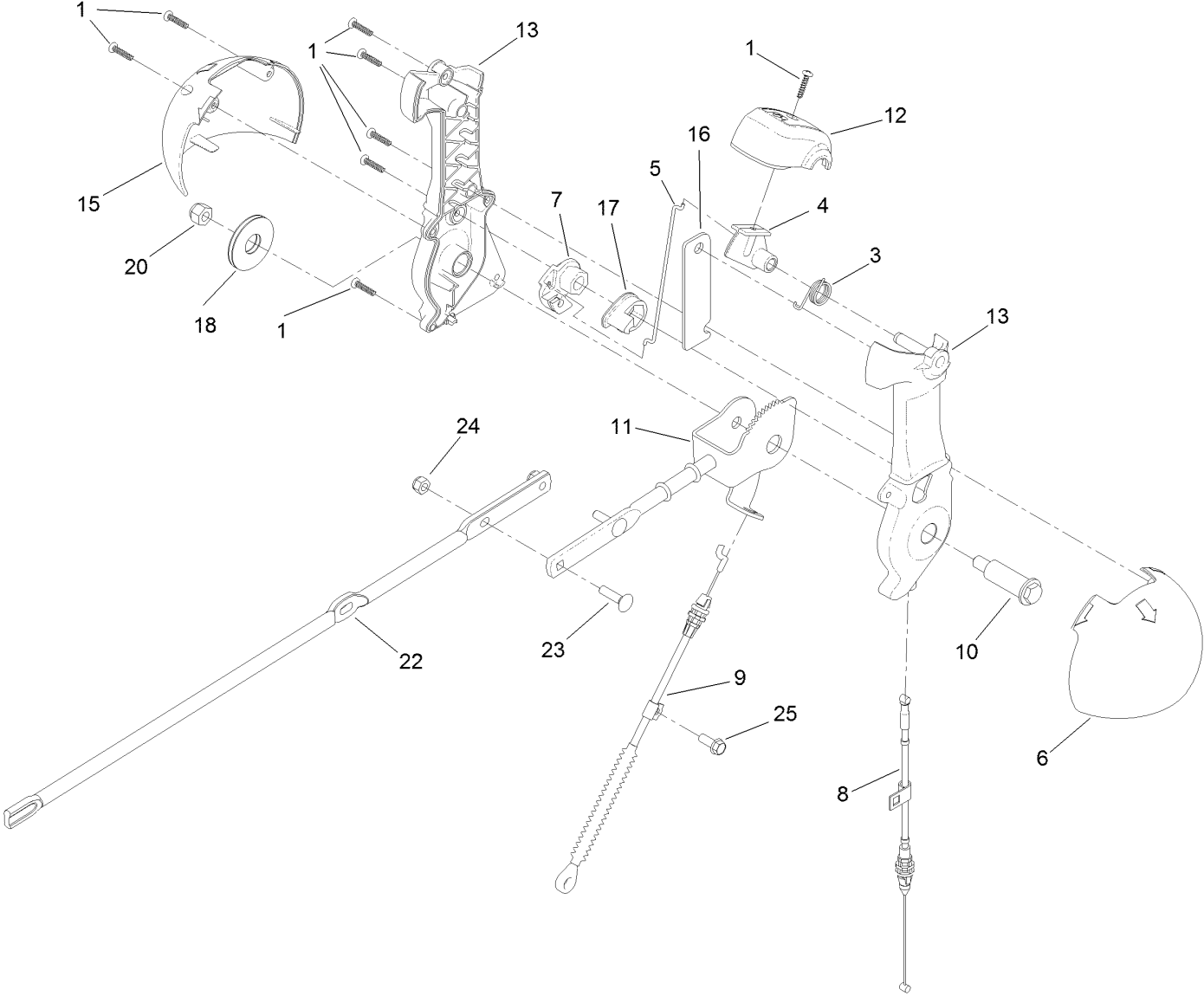
Chute Assembly



Chute Assembly (continued)

| <i>Ref.</i> | <i>Part Number</i> | <i>Qty.</i> | <i>Description</i> | <i>Ref.</i> | <i>Part Number</i> | <i>Qty.</i> | <i>Description</i> |
|-------------|--------------------|-------------|----------------------------------|-------------|--------------------|-------------|----------------------------------|
| 1 | 130-9587 | 1 | Chute-Lower | 19 | 136-7199 | 1 | Bolt-Shoulder |
| 2 | 130-9588 | 1 | Guide-Chute | 20 | 63-2650 | 1 | Screw-Shoulder |
| 3 | 130-9589-03 | 1 | Bracket-Post, Support (Chute) | 21 | 130-9616 | 1 | Spring-Torsion, Latch (Chute) |
| 4 | 130-9590 | 1 | Retainer- Post, Chute | 22 | 131-5927 | 1 | Screw-HHF |
| 5 | 130-9603-03 | 1 | Post-Chute | 24 | 46-8091 | 17 | Screw-HWH |
| 6 | 130-9605 | 1 | Gear-Chute | 25 | 98-1375 | 5 | Screw-HWH |
| 7 | 136-7170 | 1 | Bracket-Cable | 26 | 32144-10 | 1 | Screw-HWH |
| 8 | 133-5591 | 1 | Chute-Discharge | 27 | 104-8300 | 2 | Nut-HF, NI |
| 9 | 130-9596 | 1 | Ring-Chute | 28 | 108-0988 | 2 | Screw-CARR |
| 10 | 130-9607 | 1 | Latch-Chute | 29 | 114-3778 | 3 | Nut-HF |
| 11 | 130-9608 | 1 | Mount-Gear, Chute | 31 | 136-7143 | 1 | Spring-Torsion |
| 12 | 106-4471 | 1 | Gear-Face | 32 | 94-4496 | 3 | Screw-PPH |
| 13 | 131-5915 | 1 | Deflector-Chute | 33 | 131-1754 | 1 | Shroud-Upper, LH |
| 14 | 136-7145 | 1 | Rod-Deflector | 34 | 131-1765 | 1 | Shroud-Lower, RH |
| 15 | 130-9609 | 1 | Guide-Cable | 35 | 32144-85 | 2 | Screw-HWH |
| 16 | 130-9611 | 1 | Cover-Gear, Chute | 37 | 131-1768 | 1 | Kicker-Housing |
| 17 | 120-9299 | 1 | Chute-Cover | 38 | 130-6658 | 2 | Screw-Flange, Plastic |
| 18 | 136-7191 | 1 | Clamp-Cable | 40 | 133-5592 | 1 | Decal |

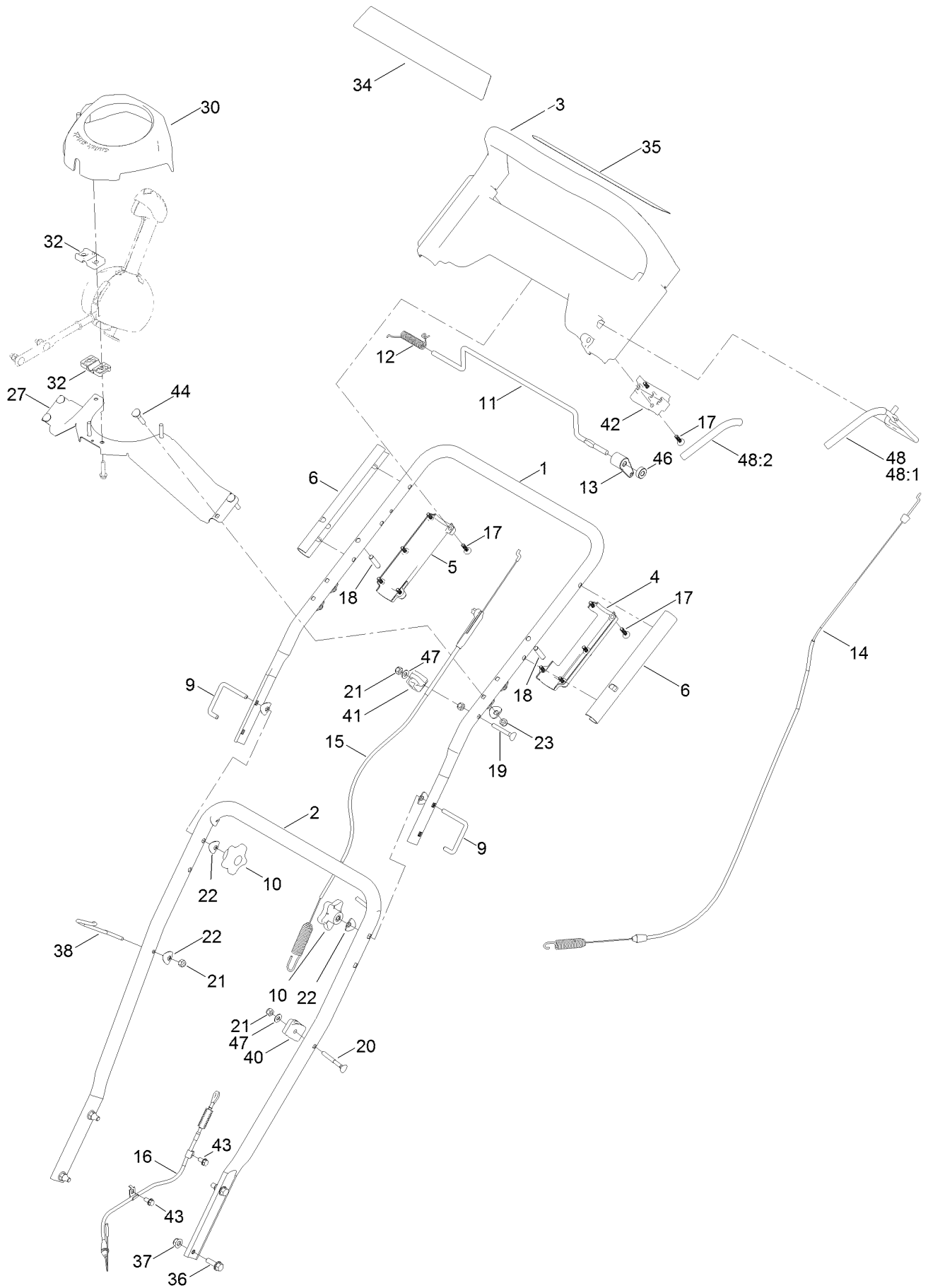
Chute Control Lever Assembly



Chute Control Lever Assembly (continued)

| <i>Ref.</i> | <i>Part Number</i> | <i>Qty.</i> | <i>Description</i> | <i>Ref.</i> | <i>Part Number</i> | <i>Qty.</i> | <i>Description</i> |
|-------------|--------------------|-------------|--------------------------|-------------|--------------------|-------------|----------------------------|
| 1 | 94-4496 | 8 | Screw-PPH | 13 | 137-6235 | 1 | Lever-Control, Chute (RH) |
| 3 | 105-9982 | 1 | Spring-Torsion | 13 | 137-6236 | 1 | Lever-Control, Chute (LH) |
| 4 | 137-6238 | 1 | Trigger-Latch | 15 | 136-6677 | 1 | Globe-Quickstick, RH |
| 5 | 138-0688 | 1 | Link-Latch | 16 | 136-6632 | 1 | Plate-Stiffner |
| 6 | 136-6678 | 1 | Globe-Quickstick, LH | 17 | 106-7310 | 1 | Pawl-Latch |
| 7 | 105-9988 | 1 | Lever-Cable, Deflector | 18 | 138-0744 | 1 | Washer-Friction, Composite |
| 8 | 130-9614 | 1 | Cable-Release, Chute | 20 | 137-3087 | 1 | Nut-Hex |
| 9 | 130-9613 | 1 | Cable-Control, Deflector | 22 | 144-1236 | 1 | Rod-Chute |
| 10 | 138-0659 | 1 | Screw-Shoulder, HWH | 23 | 137-3056 | 3 | Bolt-CARR |
| 11 | 138-0662 | 1 | Rod-Control, Chute | 24 | 137-3094 | 3 | Nut-Hex |
| 12 | 137-6239 | 1 | Cap-Lever | 25 | 32144-85 | 1 | Screw-HWH |

Handle and Control Assembly



Handle and Control Assembly (continued)

| <i>Ref.</i> | <i>Part Number</i> | <i>Qty.</i> | <i>Description</i> | <i>Ref.</i> | <i>Part Number</i> | <i>Qty.</i> | <i>Description</i> |
|-------------|--------------------|-------------|-----------------------|-------------|--------------------|-------------|------------------------|
| 1 | 120-2333-03 | 1 | Handle-Upper | 23 | 3296-73 | 4 | Nut-Lock, NI |
| 2 | 120-2334-03 | 1 | Handle-Lower | 27 | 120-2342-03 | 1 | Bracket-Chute, Control |
| 3 | 131-5921 | 1 | Handle | 30 | 139-3507 | 1 | Cover-Top |
| 4 | 120-2336 | 1 | Handle-Bottom, LH | 32 | 105-9987 | 2 | Support-Rod |
| 5 | 131-1770 | 1 | Handle-Bottom, RH | 34 | 131-1787 | 1 | Decal-Display |
| 6 | 120-2343 | 2 | Sleeve Handle | 35 | 131-1785 | 1 | Decal-Control, Panel |
| 9 | 136-7130 | 2 | Lock-Handle | 36 | 3234-29 | 4 | Screw-HHF |
| 10 | 106-4161 | 2 | Knob-Handle | 37 | 104-8300 | 4 | Nut-HF, NI |
| 11 | 136-7150 | 1 | Bar-Control, Traction | 38 | 136-7147 | 1 | Guide-Rope |
| 12 | 136-7166 | 1 | Spring-Torsion | 40 | 92-7729 | 1 | Anchor-Cable, Upper |
| 13 | 131-5917 | 1 | Lever-Traction | 41 | 131-5903 | 1 | Cable-Guide |
| 14 | 131-5924 | 1 | Cable-Transmission | 42 | 131-5901 | 1 | Bail-Mount |
| 15 | 120-2338 | 1 | Cable-Rotor, Upper | 43 | 32144-4 | 2 | Screw-HWH |
| 16 | 131-1753 | 1 | Cable-Rotor, Lower | 44 | 117-7737 | 4 | Screw-Handle |
| 17 | 120-2349 | 12 | Screw | 46 | 130-2343 | 1 | Spacer |
| 18 | 131-1771 | 2 | Pin-Dowel | 47 | 3256-1 | 2 | Washer-Flat |
| 19 | 95-4453 | 1 | Screw | 48 | 131-5943 | 1 | Bail ASM |
| 20 | 92-2269 | 1 | Screw-Handle | 48:1 | | 1 | Bail-Auger ● |
| 21 | 3296-73 | 3 | Nut-Lock, NI | 48:2 | 131-5902 | 1 | Cover-Bail |
| 22 | 107-3844 | 7 | Washer | | | | |

● Not serviced separately

Attachments and Accessories

For 36002 SnowMaster 724 QXE Snowthrower

| Product Name | Model/Part |
|--|-------------------|
| Center Paddle Replacement Kit..... | 130-9569P |
| Skid Replacement Kit | 130-9619P |
| Scraper Kit..... | 130-9628P |
| Rotor Belt..... | 131-5967P |
| Engine Maintenance Kit..... | 138-0699 |
| Case of 24 20-Ounce Bottles 5W30 Winter Oil | 38908 |
| Toro Snow Oil 0W30 Synthetic 20-Ounce Bottle | 38913 |
| Toro 2-Stage Cover..... | 490-7466 |

Notes:

Notes:

Notes:



Count on it.