



Count on it.

Parts Catalog

**Pro Force®
Debris Blower**

Model No. 44554—Serial No. 404900001 and Up



Ordering Replacement Parts

To order replacement parts, please supply the part number, the quantity, and the description of each part desired.

Understanding Reference Numbers

Each identified part in an illustration has a reference number. The reference number for a part also appears in the parts list, along with other information about the part.

This catalog uses two special reference number formats, one to indicate parts in a service assembly and another to indicate the quantity of a given part in an illustration.

Service Assembly Reference Numbers

Parts in service assemblies have reference numbers in the form a:b. The a represents the reference number of the entire service assembly and the b represents a sequential number unique to each part within the service assembly.

For example, a wheel assembly might be identified by reference number 6, the tire by 6:1, the valve by 6:2, and the wheel by 6:3. When you order the assembly identified by reference number 6, you receive all parts identified by reference numbers 6:1, 6:2, and 6:3. However, you may also order any part individually. Reference numbers of this type appear in illustration and in parts lists.

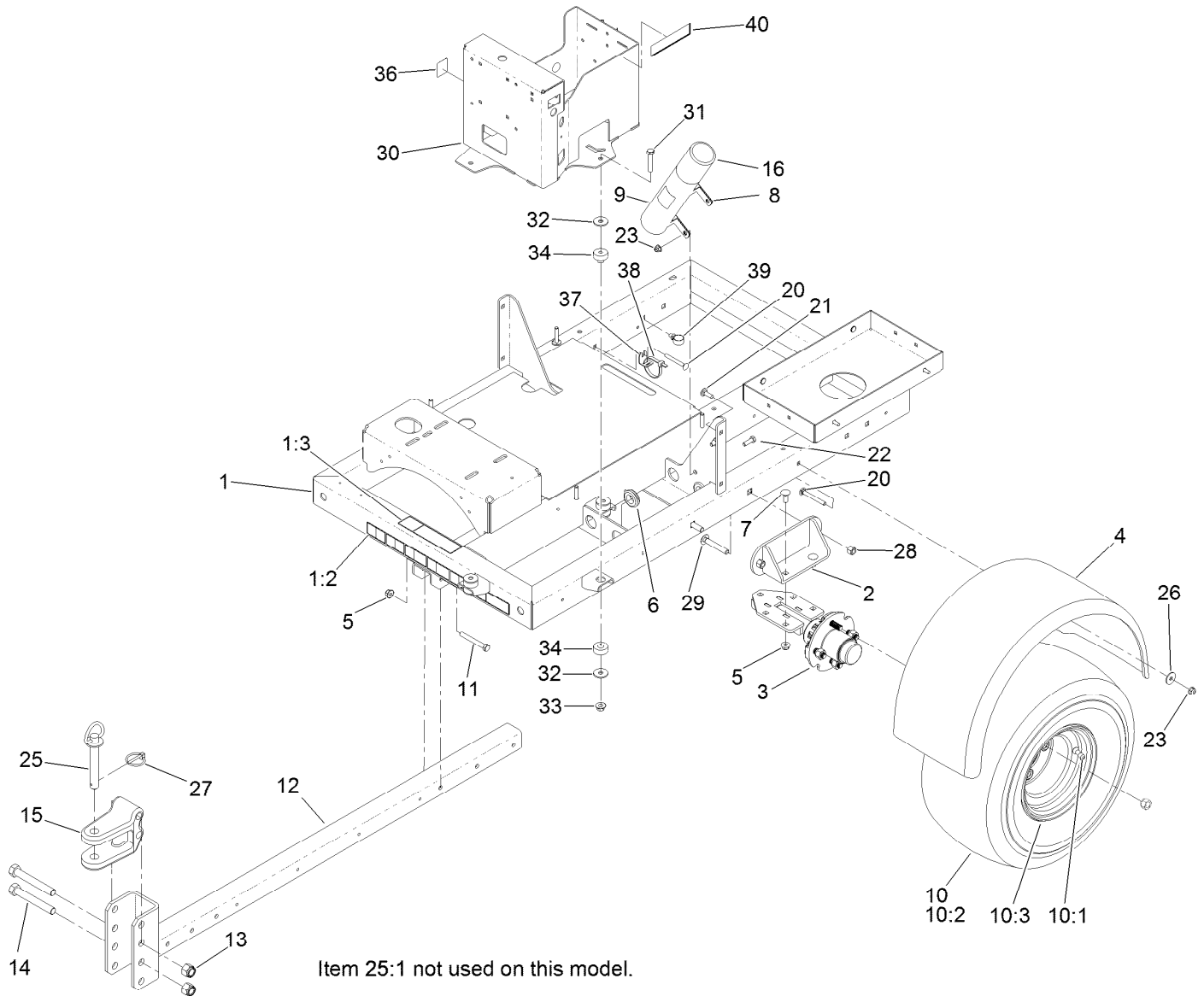
Reference Numbers Indicating Quantity

In an illustration, if a reference number indicates more than one part, the reference number has the form nX y. The n represents the quantity of the part, the X is the multiplication symbol, and the y represents the reference number.

For example, in an illustration, the reference number 2X 37 means that two of the parts identified by reference number 37 are indicated.

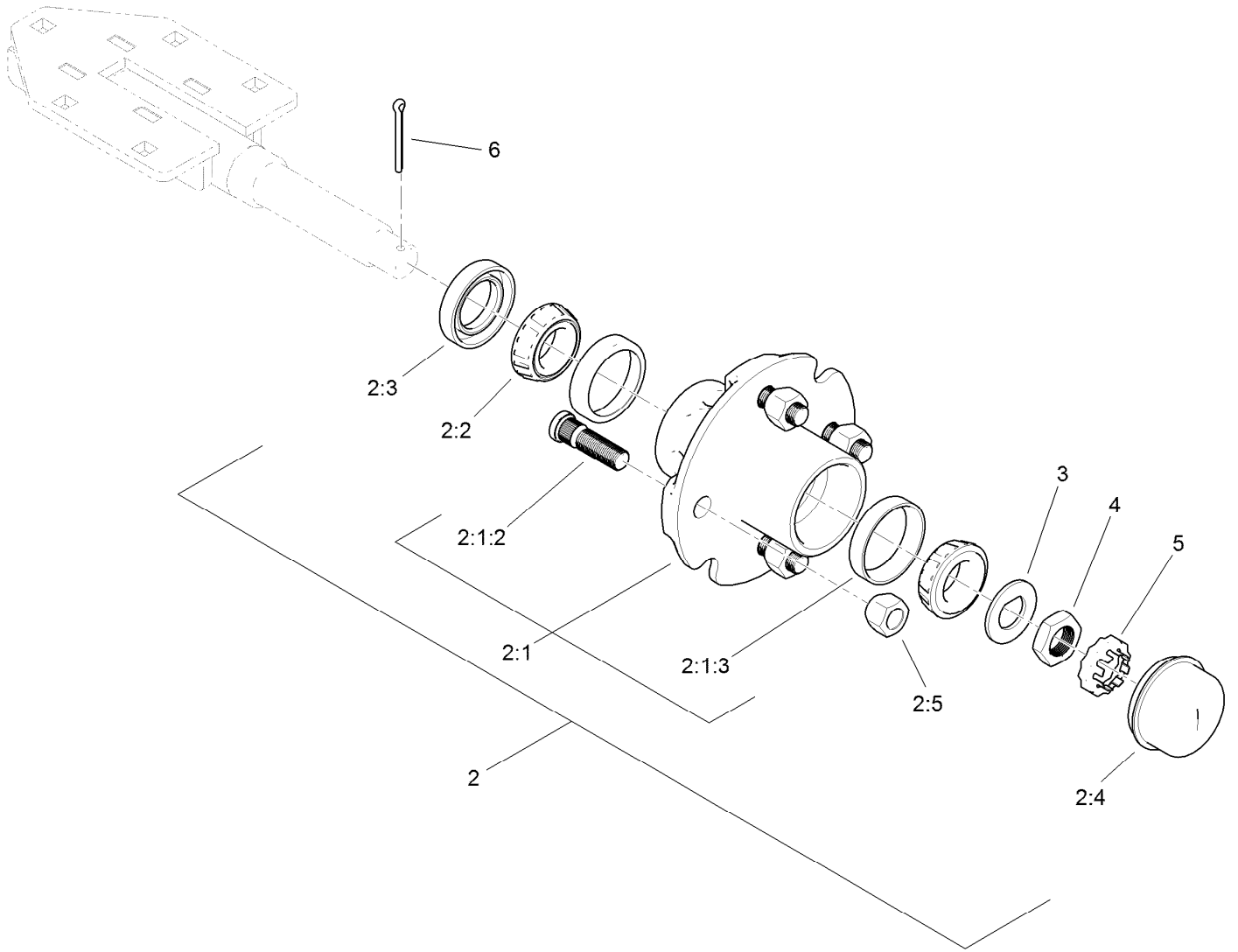
Contents

Frame, Wheel, Axle and Hitch Assembly	4
Hub and Axle Assembly No. 117-8255	5
Turbine Mounting Assembly	6
Turbine Assembly No. 125-4260	7
Nozzle Drive Assembly	8
Battery and Drive Shaft Assembly	9
Engine, Muffler and Fuel Tank Assembly	10
Fuel Tank Assembly No. 115-9048	11
Fuel Delivery Assembly	12
Electrical Assembly	13
Tethered Control Assembly No. 119-6341	14
Attachments and Accessories	15



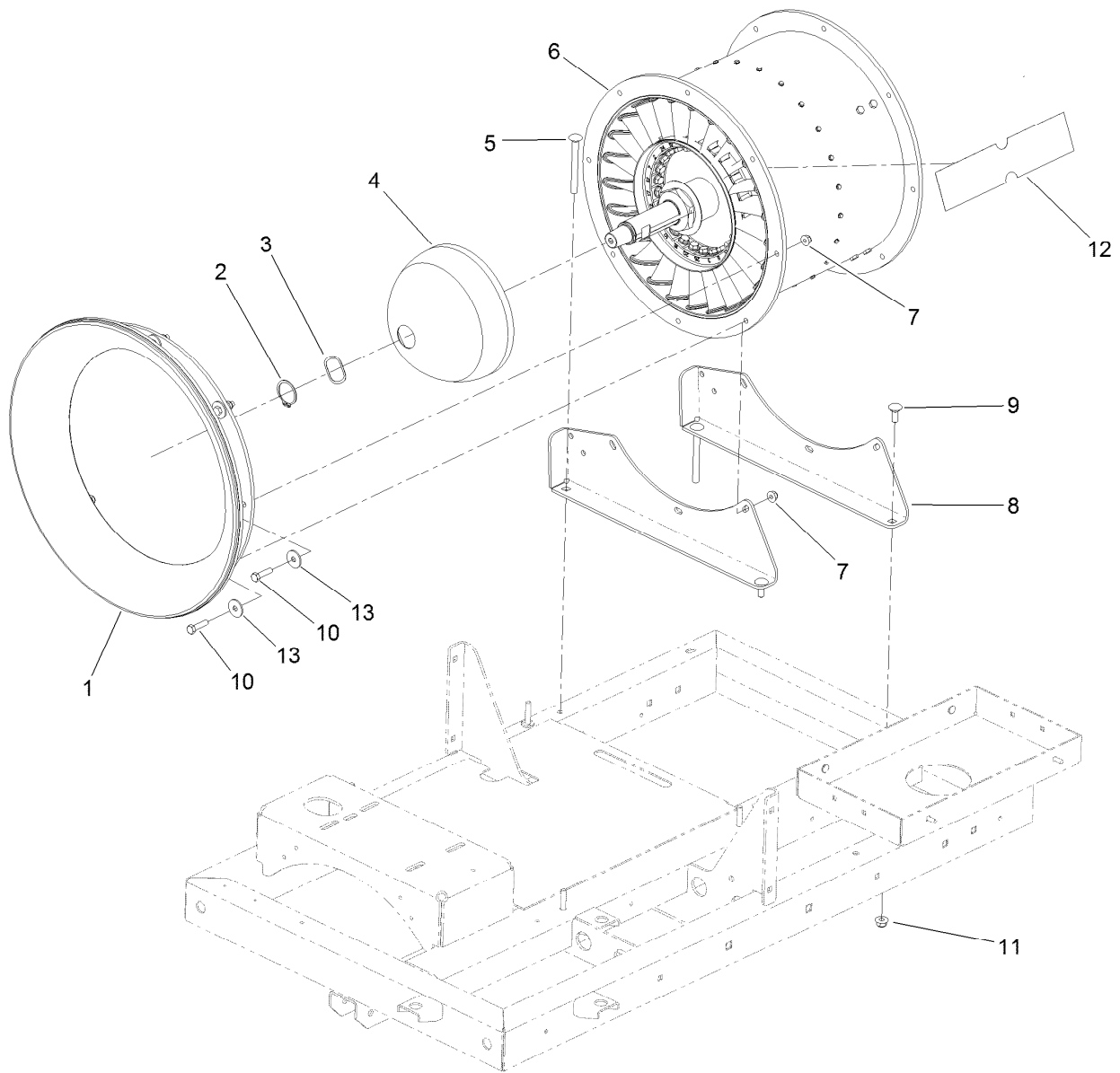
Frame, Wheel, Axle and Hitch Assembly

Ref.	Part Number	Qty.	Description	Ref.	Part Number	Qty.	Description
1	130-8510	1	Frame ASM	20	3230-9	4	Screw-CARR
1:2	115-5105	1	Decal-Warning	21	3230-2	4	Bolt-CARR
1:3	115-5113	1	Decal-Protection, Eye And Ear	22	322-5	2	Screw-HH
2	119-2958-01	2	Mount-Axle	23	104-8300	10	Nut-HF, NI
3	117-8255	2	Hub And Axle ASM	25	13-6200	1	Pin-Hitch, Pointed
4	112-6852	2	Fender	25:1	3290-343	1	Pin-Hair
5	104-8301	8	Nut-HF, NI	26	3256-82	8	Washer-Flat
6	1-543286	2	Grommet	27	92-1298	1	Pin-Lynch
7	3231-2	6	Bolt-CARR	28	3296-48	4	Nut-Hex
8	2412-133	2	Clamp-R	29	3232-17	4	Screw-CARR
9	104-7050	1	Tube-Manual	30	125-6055-01	1	Tower-Control, Wa
10	98-8691	2	Wheel ASM	31	323-10	3	Screw-HH
10:1	232-27	1	Stem-Valve	32	93-8806	6	Washer-Hardened
10:2	99-4506	1	Tire	33	32128-19	3	Nut-HF Lock, Large Flg
10:3	99-4507	1	Rim	34	121-2870	3	Mount-2 Piece
11	323-14	2	Screw-HH	36	131-6766	1	Decal-Fuses
12	112-6942-01	1	Hitch	37	131-6703	1	Bracket-Hold Down, Electrical
13	3296-53	2	Nut-Lock, NI	38	3334-945	1	Tie-Cable
14	327-23	2	Screw-HH	39	32180-030	1	Clip-Tie
15	131-4381-01	1	Hitch-Clevis	40	133-8062	1	Decal-Arrestor, Spark
16	104-7048	1	Cap-Housing				



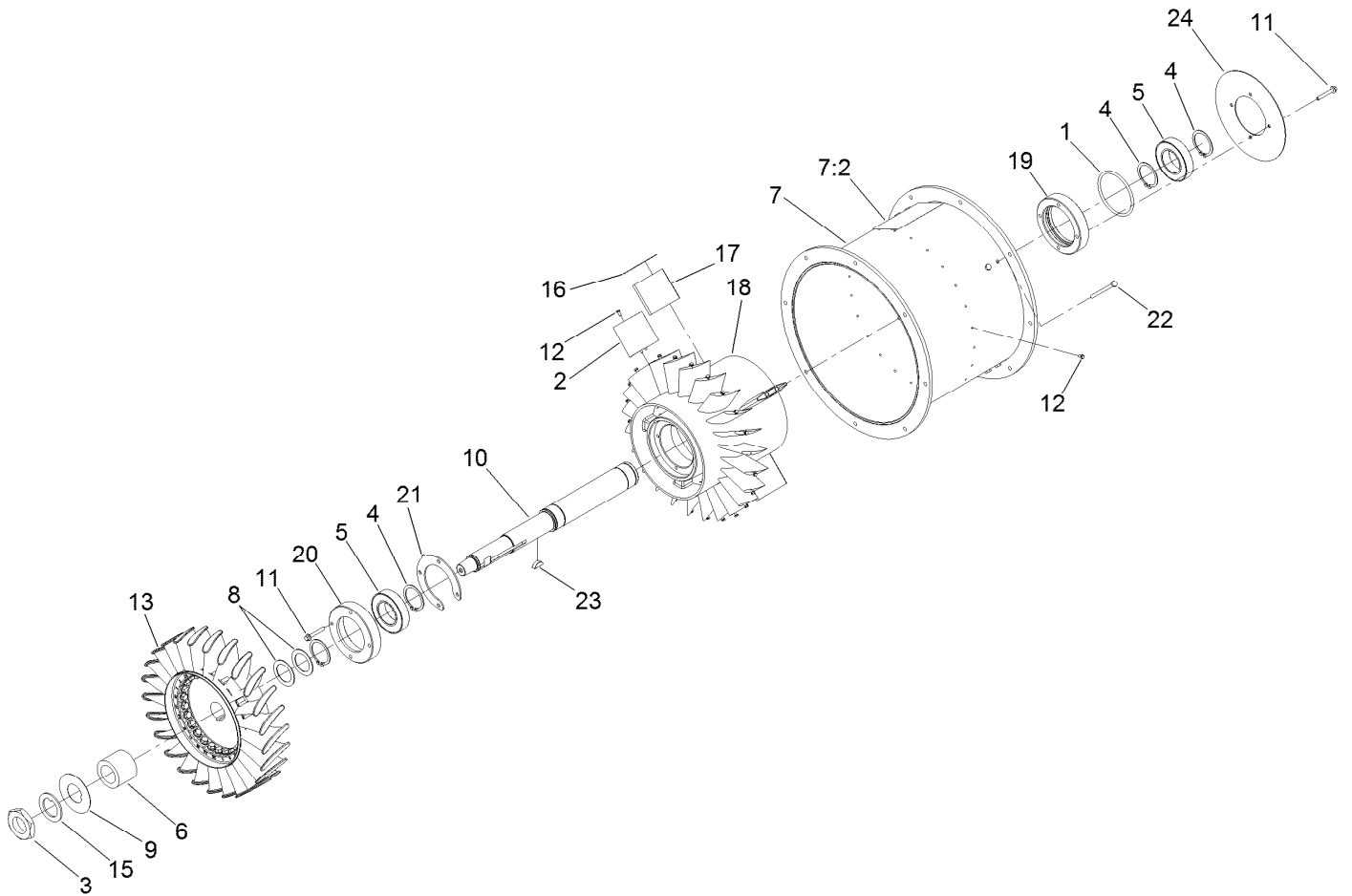
Hub and Axle Assembly No. 117-8255

<i>Ref.</i>	<i>Part Number</i>	<i>Qty.</i>	<i>Description</i>
2	117-5115	2	Hub And Bearing ASM
2:1	117-8251	1	Hub ASM
2:1:2	114-3918	4	Stud-Wheel
2:1:3	254-72	2	Bearing-Cup, Tapered
2:2	254-94	2	Bearing-Cone, Tapered
2:3	112-1690	1	Seal-Oil
2:4	241-119	1	Cap-Dust
2:5	242-50	4	Nut-Lug
3	117-8259	1	Washer-Spindle
4	117-8260	1	Nut
5	93-0307	1	Nut-Lock, Retainer
6	3272-18	1	Pin-Cotter



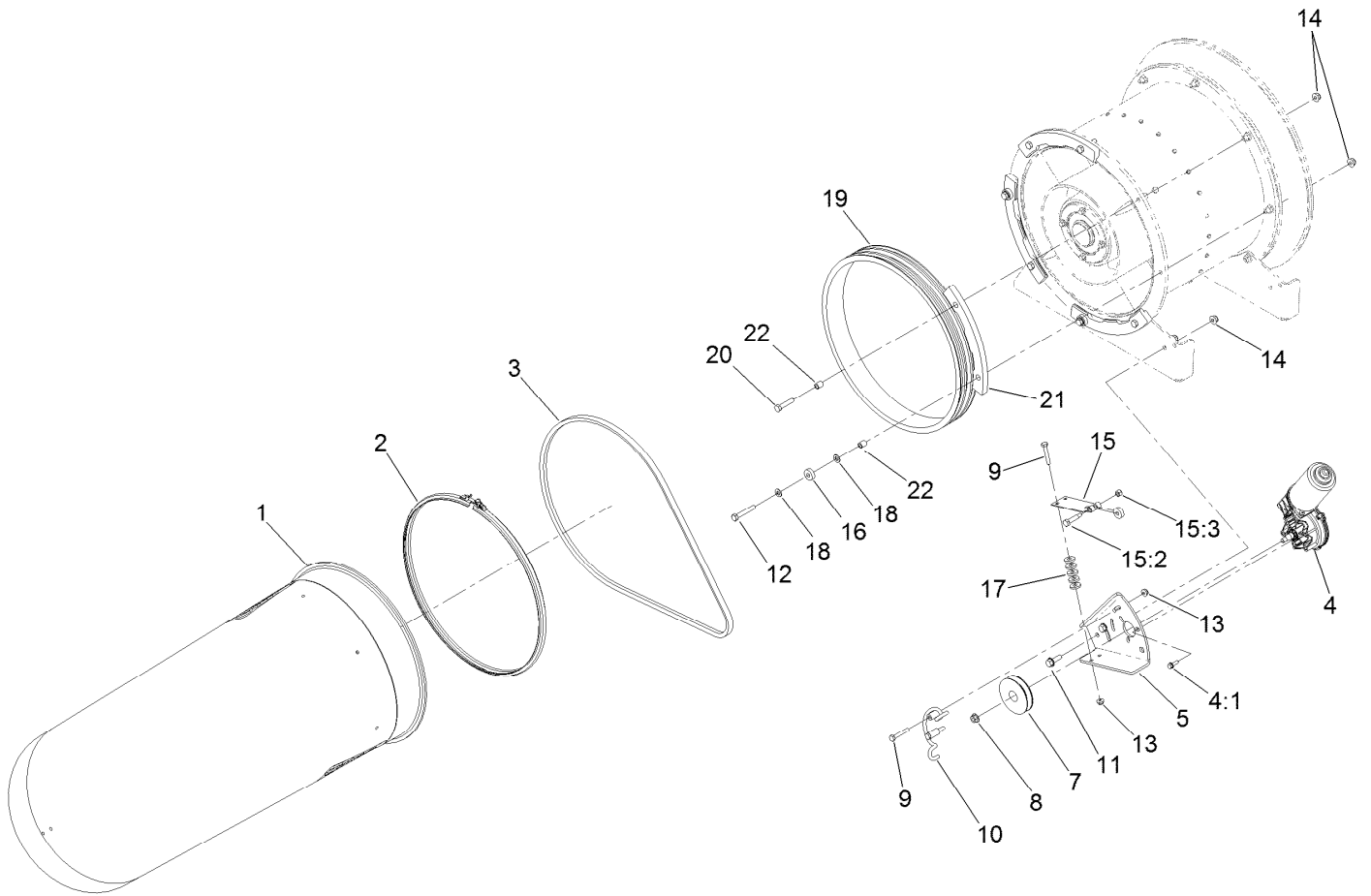
Turbine Mounting Assembly

Ref.	Part Number	Qty.	Description
1	117-8329	1	Bell-Inlet
2	112-1952	1	Ring-Snap, EXT
3	93-4632	1	Washer-Wavey
4	131-9440	1	Cap-Front
5	3231-24	2	Screw-CARR
6	125-4260	1	Turbine ASM
7	104-8300	8	Nut-HF, NI
8	112-6851-01	2	Mount-Fan
9	3231-22	2	Screw-CARR
10	322-6	8	Screw-HH
11	104-8301	4	Nut-HF, NI
12	115-5102	2	Decal
13	5-4460	8	Washer-Pivot



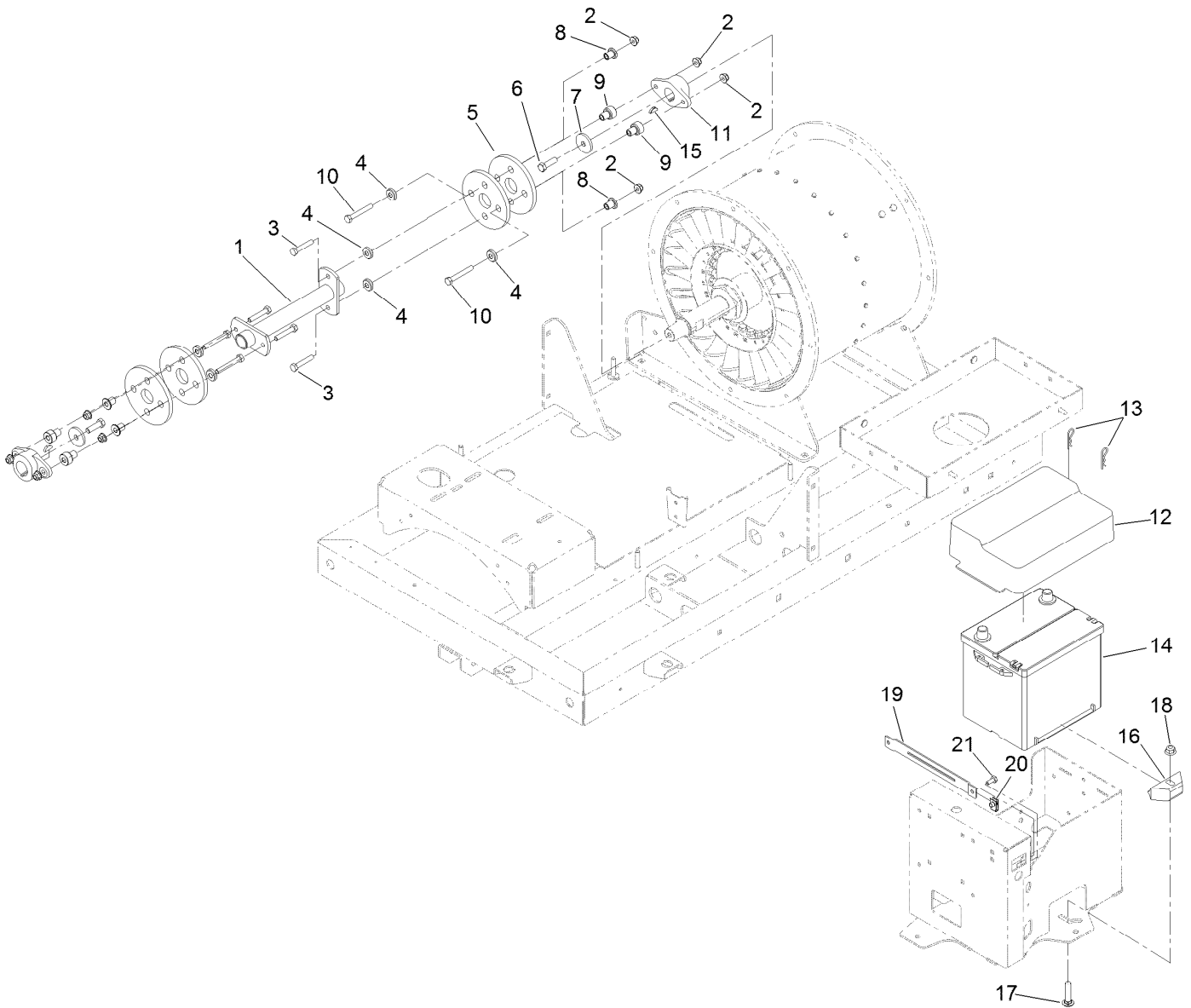
Turbine Assembly No. 125-4260

<i>Ref.</i>	<i>Part Number</i>	<i>Qty.</i>	<i>Description</i>	<i>Ref.</i>	<i>Part Number</i>	<i>Qty.</i>	<i>Description</i>
1	92-9533	1	O-Ring	12	117-8303	24	Screw-HHF
2	112-1871	24	Vane-Stator	13	117-8356	1	Rotor
3	112-1899	1	Nut	15	119-6202	1	Washer-Tab
4	112-1951	4	Ring-Snap, EXT	16	119-6207	2	Spacer-Fin
5	112-6764	2	Bearing-Ball	17	119-6444	4	Mount-Fin
6	114-2164	1	Spacer	18	120-5920	1	Inner Housing
7	115-5128	1	Housing ASM	19	120-6042	1	End-Oring
7:2	115-5106	2	Decal-Danger	20	120-6061	1	Bearing-Cap
8	115-5131	2	Washer	21	120-6063	1	End-Cap
9	115-9005	1	Washer-Tab	22	321-19	8	Screw-HH
10	115-9075	1	Shaft-Fan	23	3257-42	1	Key-Woodruff
11	125-4287	8	Screw-HHF	24	130-0871-03	1	Plate-Center



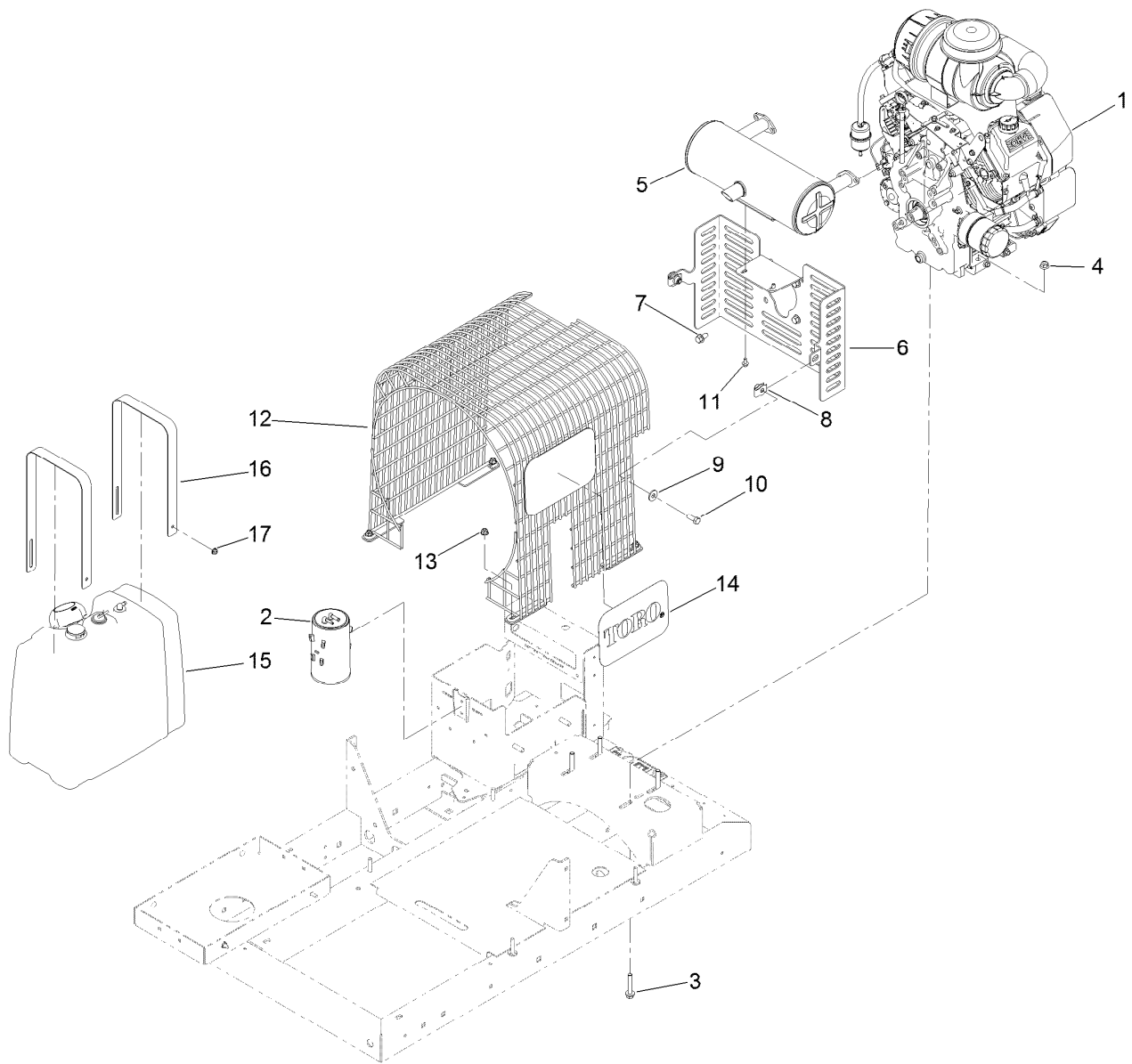
Nozzle Drive Assembly

<i>Ref.</i>	<i>Part Number</i>	<i>Qty.</i>	<i>Description</i>	<i>Ref.</i>	<i>Part Number</i>	<i>Qty.</i>	<i>Description</i>
1	119-6287	1	Nozzle	13	104-7201	4	Nut-HF
2	112-6899	1	Clamp-Nozzle	14	104-8300	10	Nut-HF, NI
3	112-1853	1	Belt-V	15	110-9650	1	Leaf Spring ASM
4	130-8551	1	Motor-Reversible	15:2	36-2250	1	Bolt-Shoulder
4:1	114-8414	3	Screw-HHF	15:3	3296-42	1	Nut-Lock, NI
5	115-5149-01	1	Bracket-Motor	16	251-259	3	Bearing-Ball
7	115-5147	1	Pulley	17	88-7200	10	Washer-Flat
8	98-0668	1	Nut	18	3256-74	4	Washer-Flat
9	321-37	4	Screw-HH	19	112-1874	1	Pulley-Nozzle
10	112-6924	1	Guard-Belt, Drive	20	322-7	6	Screw-HH
11	3234-29	2	Screw-HHF	21	114-9868	4	Guide-Nozzle
12	322-10	2	Screw-HH	22	93-6859	8	Spacer



Battery and Drive Shaft Assembly

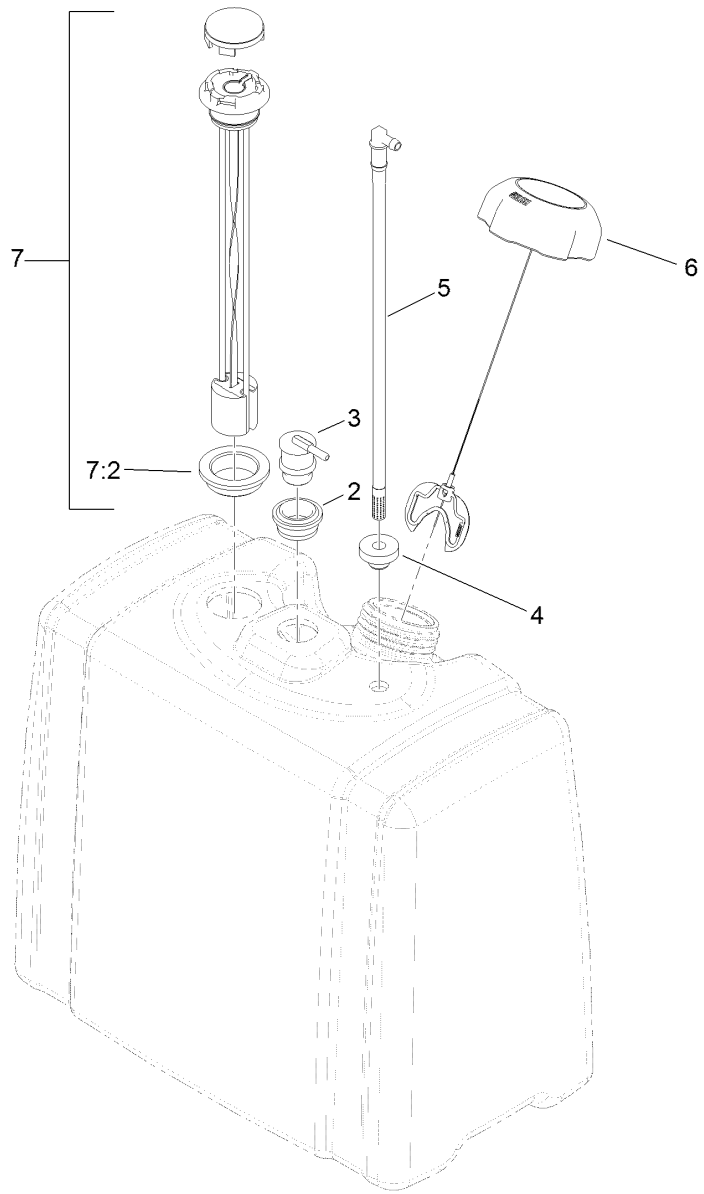
<i>Ref.</i>	<i>Part Number</i>	<i>Qty.</i>	<i>Description</i>	<i>Ref.</i>	<i>Part Number</i>	<i>Qty.</i>	<i>Description</i>
1	115-5124-03	1	Shaft-Drive	12	130-8569	1	Cover-Battery
2	104-8300	8	Nut-HF, NI	13	3290-467	2	Pin-Hair
3	322-39	4	Screw-HH	14	106-5187	1	Battery, 525 CCA W/O Electrolyte
4	131-6761	8	Washer	15	3257-5	2	Key-Woodruff
5	115-5129	4	Coupling-Rubber	16	138-6335	1	Retainer-Battery
6	323-7	2	Screw-HH	17	3231-5	1	Screw-CARR
7	114-2120	2	Washer	18	104-8301	1	Nut-HF, NI
8	131-6763	4	Spacer-Coupling, Rubber	19	130-0932-01	1	Bracket-Cover
9	131-6762	4	Spacer-Coupling, Rubber	20	107069	2	Clip
10	322-32	4	Screw-HH	21	321-4	2	Screw-HH
11	114-2122	2	Hub-Engine				



Engine, Muffler and Fuel Tank Assembly

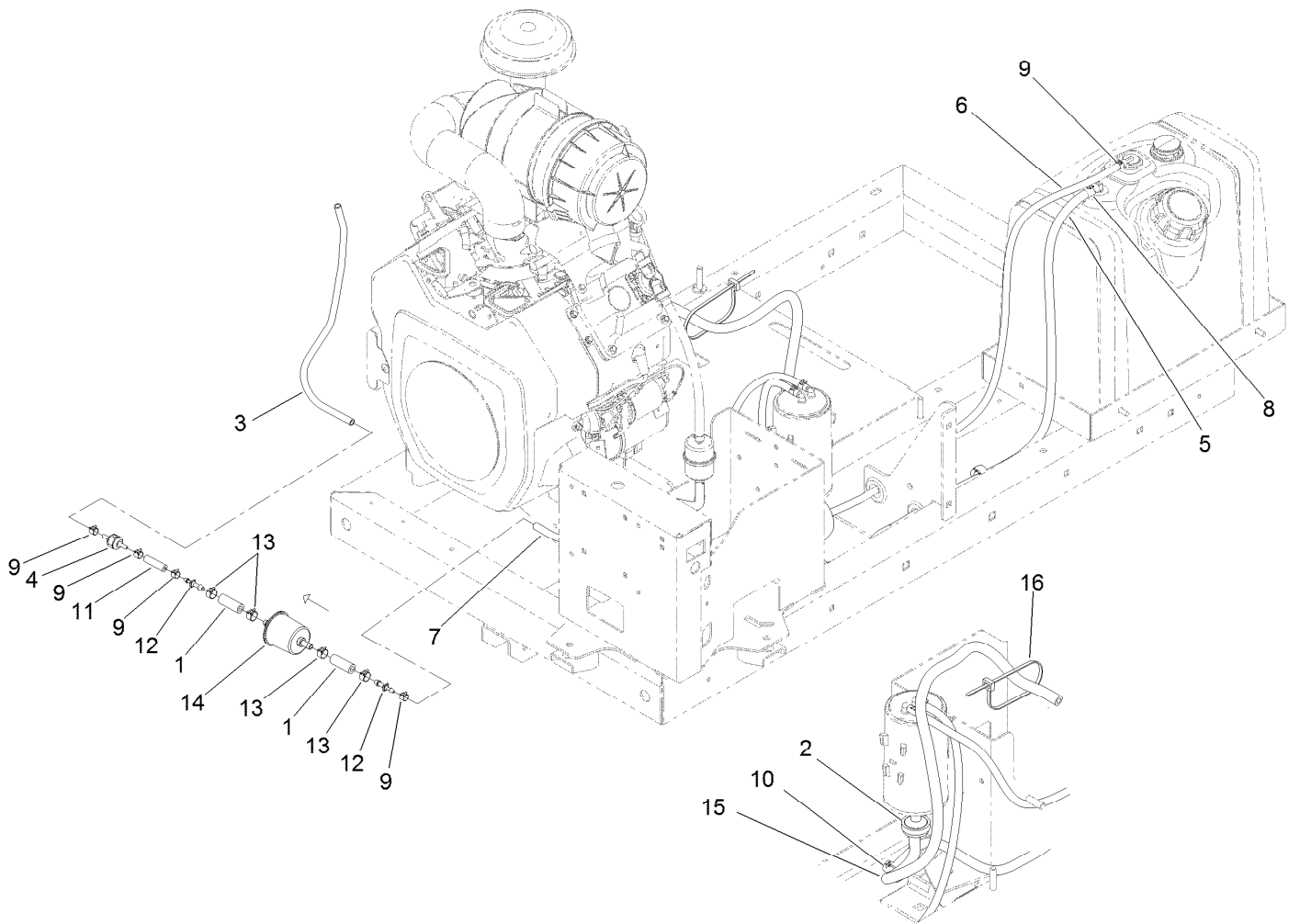
Ref.	Part Number	Qty.	Description	Ref.	Part Number	Qty.	Description
1	144-3302	1	Engine-Kohler ●	10	323-6	2	Screw-HH
2	127-8685	1	Canister-Carbon	11	33103-012	2	Screw-HHF
3	66-9302	4	Screw-HHF, Whiz	12	112-6876	1	Grill-Top
4	104-8301	4	Nut-HF, NI	13	104-8300	4	Nut-HF, NI
5	112-6862	1	Muffler	14	92-1242	2	Decal
6	119-6171-03	1	Mount-Muffler	15	115-9048	1	Fuel Tank ASM
7	110-1718	4	Screw-HHF	16	119-6285	2	Strap-Hold Down, Tank
8	105-4886	2	Nut-Tinnerman	17	104-7201	4	Nut-HF
9	80-6990	2	Washer-Hardened				

● Obtain parts from www.kohlerplus.com



Fuel Tank Assembly No. 115-9048

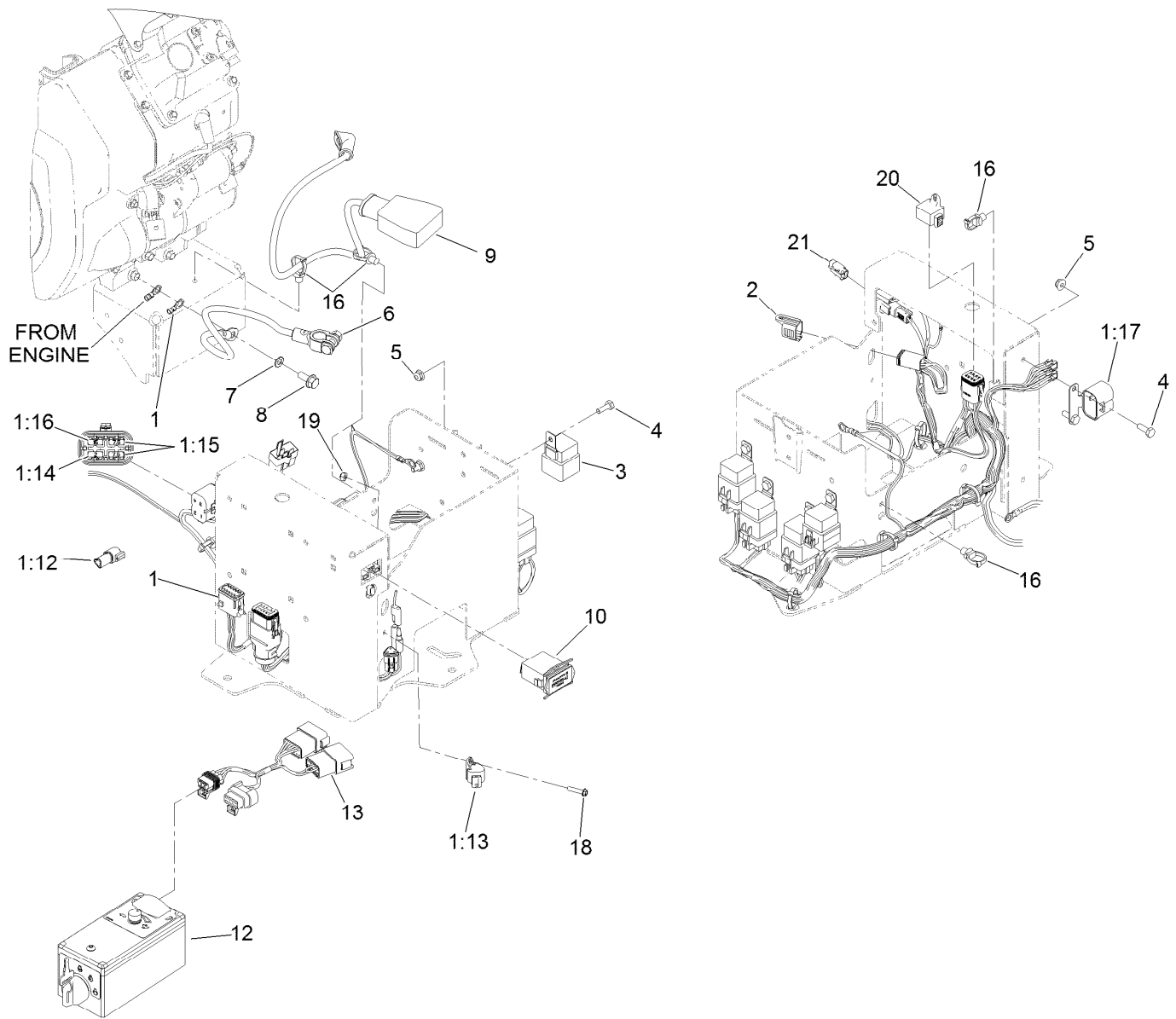
<i>Ref.</i>	<i>Part Number</i>	<i>Qty.</i>	<i>Description</i>
2	114-0284	1	Grommet
3	114-0285	1	Valve-Rollover
4	46-6560	1	Bushing
5	115-9044	1	Pipe-Stand
6	137-4127	1	Cap-Fuel
7	119-0509	1	Gauge ASM
7:2	119-0508	1	Seal



Fuel Delivery Assembly

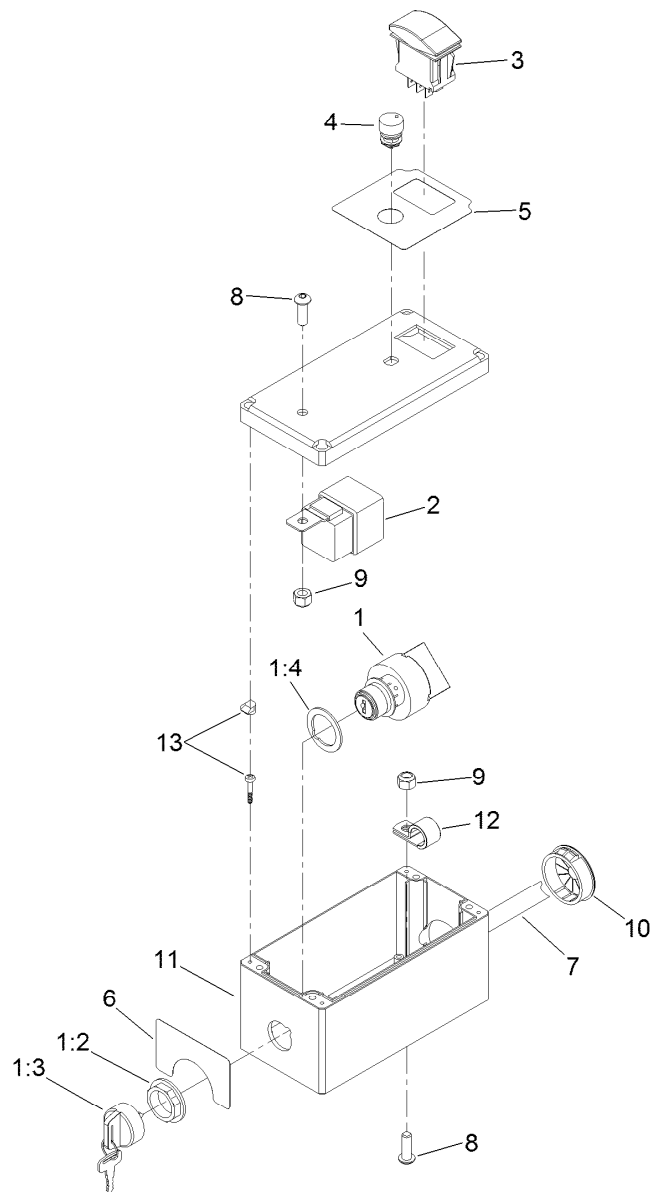
<i>Ref.</i>	<i>Part Number</i>	<i>Qty.</i>	<i>Description</i>
1	106-5317	3	Hose-Fuel
2	115-7854	1	Filter-Fuel, Inline
3	119-8150	1	Hose-Fuel
4	133-8499	1	Valve-Check, Vacuum
5	107-9298	1	Hose-Fuel
6	119-6073	1	Hose-Fuel
7	110-3254	1	Hose-Fuel
8	2412-98	2	Clamp-Hose

<i>Ref.</i>	<i>Part Number</i>	<i>Qty.</i>	<i>Description</i>
9	2412-80	5	Clamp-Hose
10	32180-030	6	Clip-Tie
11	119-8561	1	Hose-Fuel
12	106-8150	2	Fitting-Straight
13	92-2379	4	Clamp-Hose
14	120-2235	1	Filter-Fuel
15	110-4109	1	Hose-Fuel
16	3290-378	1	Tie-Cable



Electrical Assembly

<i>Ref.</i>	<i>Part Number</i>	<i>Qty.</i>	<i>Description</i>	<i>Ref.</i>	<i>Part Number</i>	<i>Qty.</i>	<i>Description</i>
1	122-1505	1	Harness-Wire	7	3255-8	1	Washer-Lock
1:12	32180-043	2	Resistor-120 Ohm	8	33104-020	1	Screw-HHF
1:13	32180-089	1	Cap-Plug, 3 Way	9	122-0629	1	Cable-Battery, Positive
1:14	121-8861	1	Fuse-Mini Blade, 2 Amp	10	1-513374	1	Meter-Hour
1:15	121-8865	2	Fuse-Mini Blade, 7.5 Amp	12	119-6341	1	Tethered Control ASM
1:16	121-8867	1	Fuse-Mini Blade, 15 Amp	13	122-0620	1	Harness-Wire, Tether Adapter
1:17	32180-179	1	Cover-Bussman	16	32180-030	3	Clip-Tie
2	32180-156	1	Cap-Plug, 6 Way	18	106-9169	1	Screw-HWH
3	99-7430	4	Relay-Mini	19	3296-2	1	Nut-Lock, NI
4	321-4	6	Screw-HH	20	32180-201	1	Cap-Plug
5	104-7201	6	Nut-HF	21	32180-202	1	Cap-Plug
6	125-5966	1	Cable-Battery, Negative				



Tethered Control Assembly No. 119-6341

<i>Ref.</i>	<i>Part Number</i>	<i>Qty.</i>	<i>Description</i>	<i>Ref.</i>	<i>Part Number</i>	<i>Qty.</i>	<i>Description</i>
1	106-5269	1	Ignition Switch ASM	6	119-1776	1	Decal-Tether, Start
1:2	108-8660	1	Nut-Mounting	7	119-1757	1	Harness-Tethered Control
1:3	106-5270	1	Ignition Key Set	8	3274-69	2	Screw-HSBH
1:4	108-8659	1	Washer-Backup	9	3296-42	2	Nut-Lock, NI
2	99-7430	1	Relay-Mini	10	119-1105	1	Bushing
3	100-1535	1	Switch-Rocker, (On)-Off-(On)	11	119-1101	1	Box-Control
4	119-1774	1	Potentiometer	12	2412-73	1	Clamp-R
5	119-1775	1	Decal-Tether, Throttle	13	119-6243	1	Hardware Kit

Attachments and Accessories

For 44554 Pro Force Debris Blower

Product Name	Model/Part
Tapered Nozzle Kit.....	119-6280
Rectangular Nozzle Kit	119-6281
Alignment Tool Asm	137-6616
Safety Chain Kit.....	139-3179
Spark Arrestor Screen	94-8157



Count on it.