



**Count on it.**

**Parts Catalog**

**Pro Force®**

**Debris Blower**

Model No. 44554—Serial No. 403421001 and Up



# Ordering Replacement Parts

To order replacement parts, please supply the part number, the quantity, and the description of each part desired.

## Understanding Reference Numbers

Each identified part in an illustration has a reference number. The reference number for a part also appears in the parts list, along with other information about the part.

This catalog uses two special reference number formats, one to indicate parts in a service assembly and another to indicate the quantity of a given part in an illustration.

## Service Assembly Reference Numbers

Parts in service assemblies have reference numbers in the form a:b. The a represents the reference number of the entire service assembly and the b represents a sequential number unique to each part within the service assembly.

For example, a wheel assembly might be identified by reference number 6, the tire by 6:1, the valve by 6:2, and the wheel by 6:3. When you order the assembly identified by reference number 6, you receive all parts identified by reference numbers 6:1, 6:2, and 6:3. However, you may also order any part individually. Reference numbers of this type appear in illustration and in parts lists.

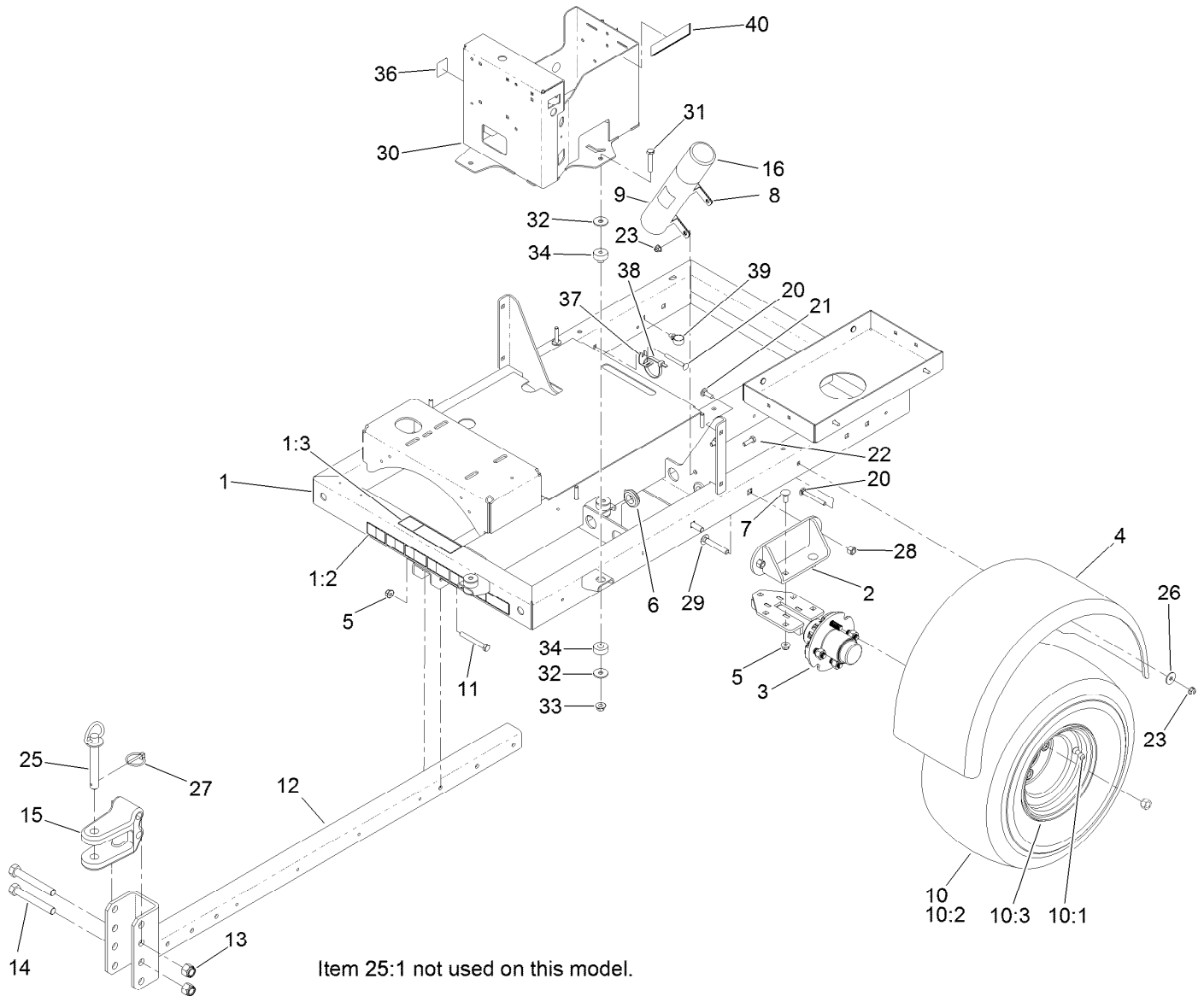
## Reference Numbers Indicating Quantity

In an illustration, if a reference number indicates more than one part, the reference number has the form nX y. The n represents the quantity of the part, the X is the multiplication symbol, and the y represents the reference number.

For example, in an illustration, the reference number 2X 37 means that two of the parts identified by reference number 37 are indicated.

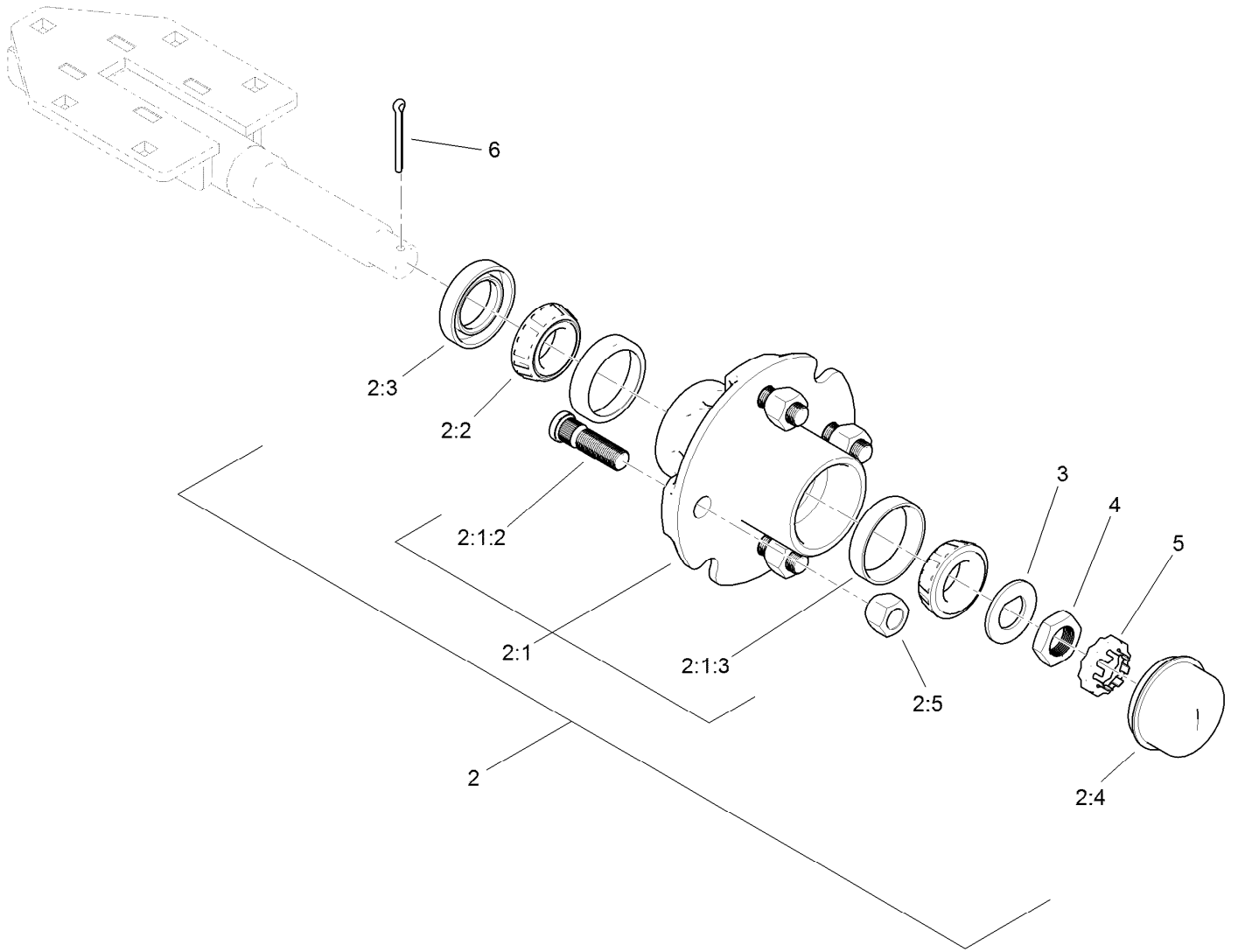
# Contents

Frame, Wheel, Axle and Hitch Assembly .....	4
Hub and Axle Assembly No. 117-8255 .....	5
Turbine Mounting Assembly .....	6
Turbine Assembly No. 125-4260 .....	7
Nozzle Drive Assembly .....	8
Battery and Drive Shaft Assembly .....	9
Engine, Muffler and Fuel Tank Assembly .....	10
Fuel Tank Assembly No. 115-9048 .....	11
Fuel Delivery Assembly .....	12
Electrical Assembly .....	13
Tethered Control Assembly No. 119-6341 .....	14
Attachments and Accessories .....	15



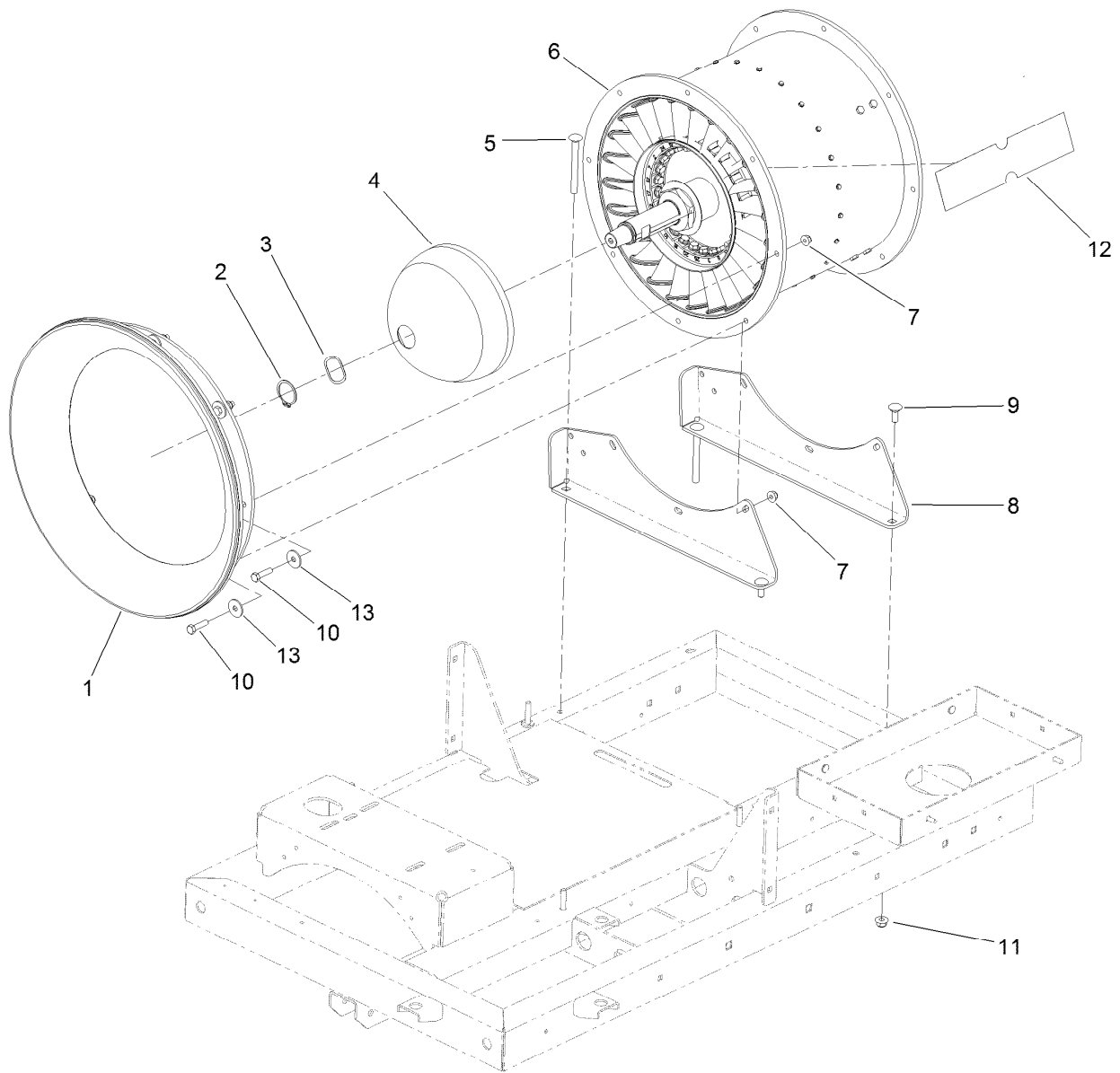
## Frame, Wheel, Axle and Hitch Assembly

Ref.	Part Number	Qty.	Description	Ref.	Part Number	Qty.	Description
1	130-8510	1	Frame ASM	20	3230-9	4	Screw-CARR
1:2	115-5105	1	Decal-Warning	21	3230-2	4	Bolt-CARR
1:3	115-5113	1	Decal-Protection, Eye And Ear	22	322-5	2	Screw-HH
2	119-2958-01	2	Mount-Axle	23	104-8300	10	Nut-HF, NI
3	117-8255	2	Hub And Axle ASM	25	13-6200	1	Pin-Hitch, Pointed
4	112-6852	2	Fender	25:1	3290-343	1	Pin-Hair
5	104-8301	8	Nut-HF, NI	26	3256-82	8	Washer-Flat
6	1-543286	2	Grommet	27	92-1298	1	Pin-Lynch
7	3231-2	6	Bolt-CARR	28	3296-48	4	Nut-Hex
8	2412-133	2	Clamp-R	29	3232-17	4	Screw-CARR
9	104-7050	1	Tube-Manual	30	125-6055-01	1	Tower-Control, Wa
10	98-8691	2	Wheel ASM	31	323-10	3	Screw-HH
10:1	232-27	1	Stem-Valve	32	93-8806	6	Washer-Hardened
10:2	99-4506	1	Tire	33	32128-19	3	Nut-HF Lock, Large Flg
10:3	99-4507	1	Rim	34	121-2870	3	Mount-2 Piece
11	323-14	2	Screw-HH	36	131-6766	1	Decal-Fuses
12	112-6942-01	1	Hitch	37	131-6703	1	Bracket-Hold Down, Electrical
13	3296-53	2	Nut-Lock, NI	38	3334-945	1	Tie-Cable
14	327-23	2	Screw-HH	39	32180-030	1	Clip-Tie
15	131-4381-01	1	Hitch-Clevis	40	133-8062	1	Decal-Arrestor, Spark
16	104-7048	1	Cap-Housing				



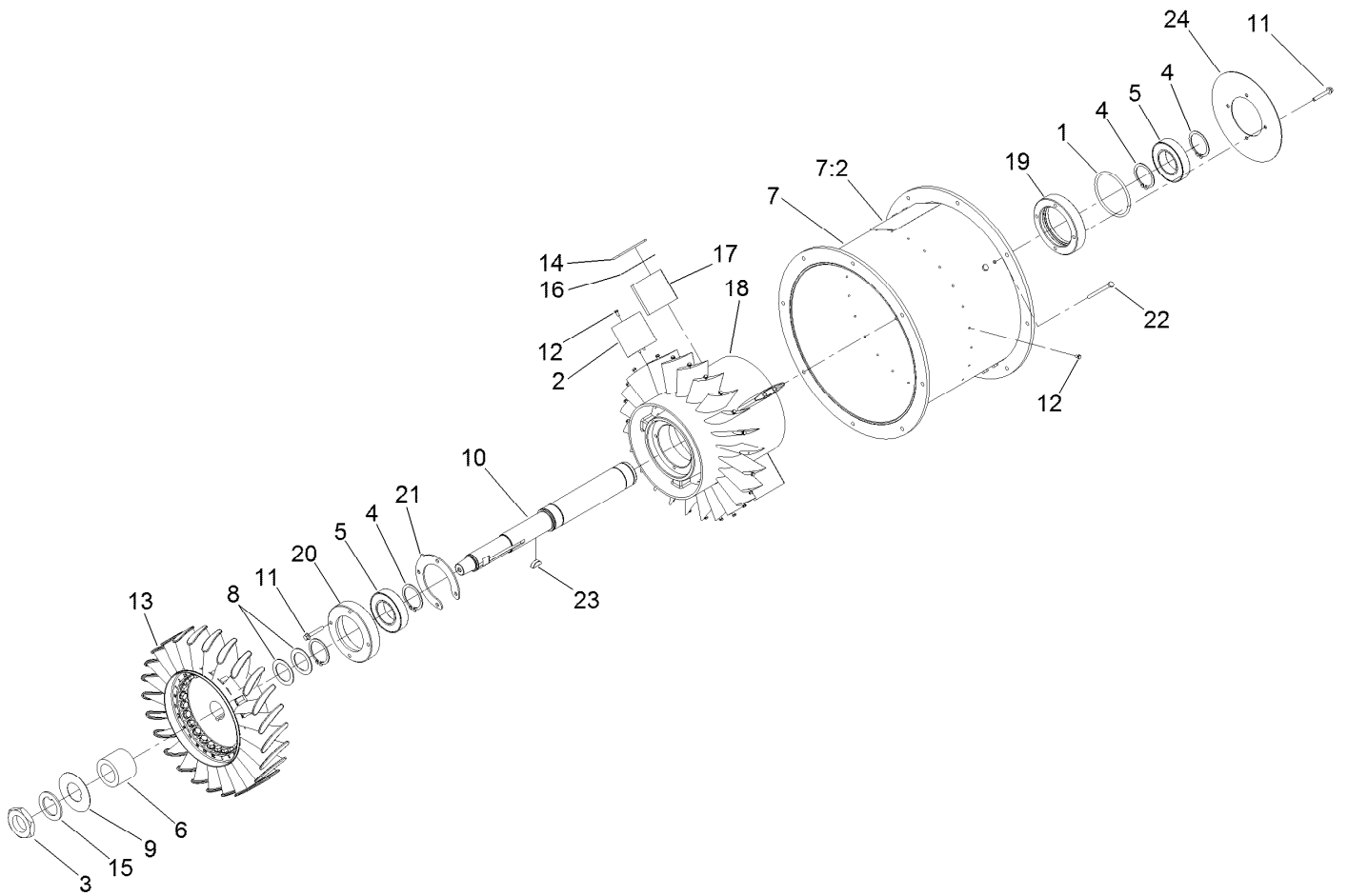
## Hub and Axle Assembly No. 117-8255

<i>Ref.</i>	<i>Part Number</i>	<i>Qty.</i>	<i>Description</i>
2	117-5115	2	Hub And Bearing ASM
2:1	117-8251	1	Hub ASM
2:1:2	114-3918	4	Stud-Wheel
2:1:3	254-72	2	Bearing-Cup, Tapered
2:2	254-94	2	Bearing-Cone, Tapered
2:3	112-1690	1	Seal-Oil
2:4	241-119	1	Cap-Dust
2:5	242-50	4	Nut-Lug
3	117-8259	1	Washer-Spindle
4	117-8260	1	Nut
5	93-0307	1	Nut-Lock, Retainer
6	3272-18	1	Pin-Cotter



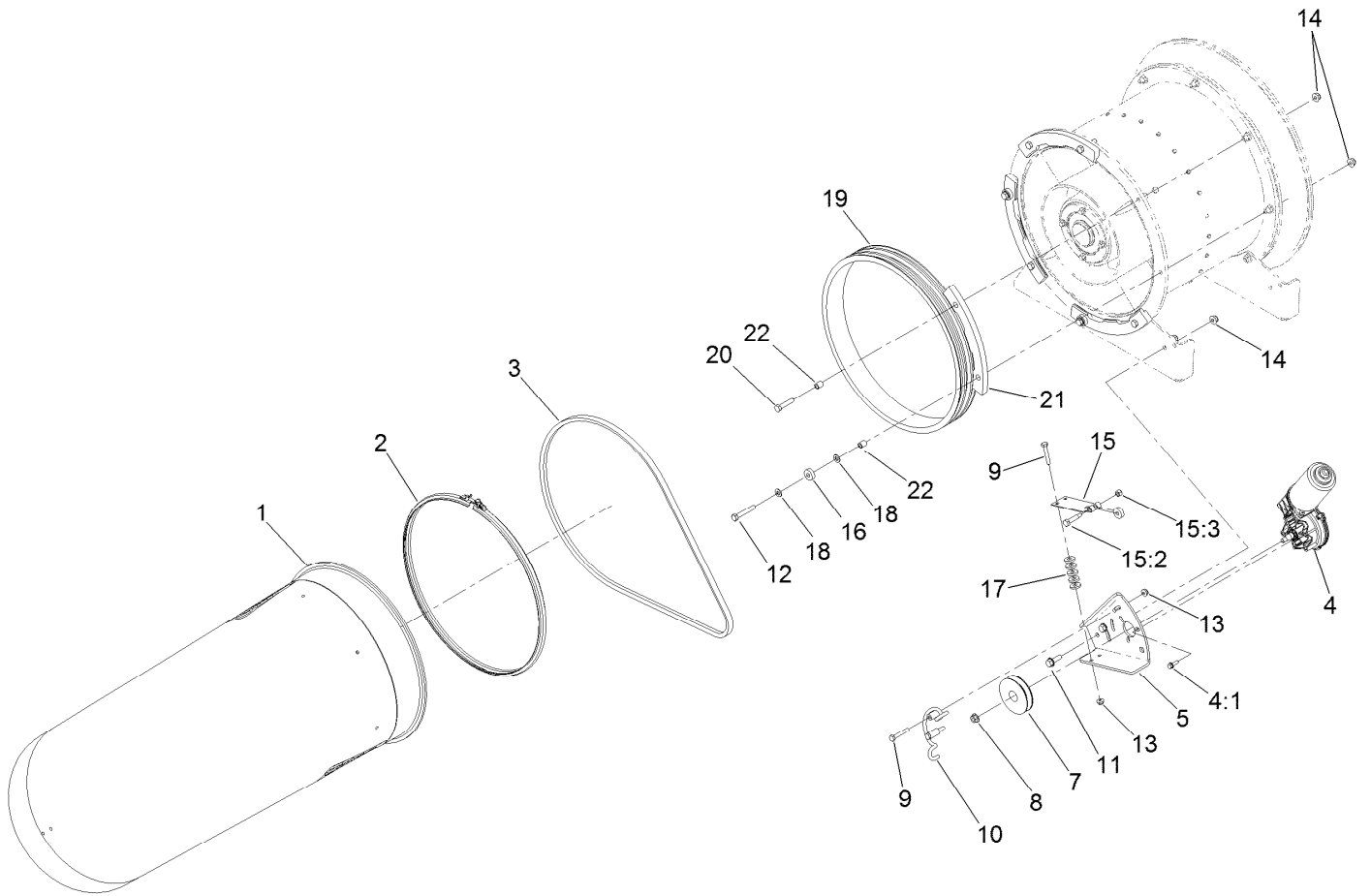
## Turbine Mounting Assembly

<b>Ref.</b>	<b>Part Number</b>	<b>Qty.</b>	<b>Description</b>
1	117-8329	1	Bell-Inlet
2	112-1952	1	Ring-Snap, EXT
3	93-4632	1	Washer-Wavey
4	131-9440	1	Cap-Front
5	3231-24	2	Screw-CARR
6	125-4260	1	Turbine ASM
7	104-8300	8	Nut-HF, NI
8	112-6851-01	2	Mount-Fan
9	3231-22	2	Screw-CARR
10	322-6	8	Screw-HH
11	104-8301	4	Nut-HF, NI
12	115-5102	2	Decal
13	5-4460	8	Washer-Pivot



## Turbine Assembly No. 125-4260

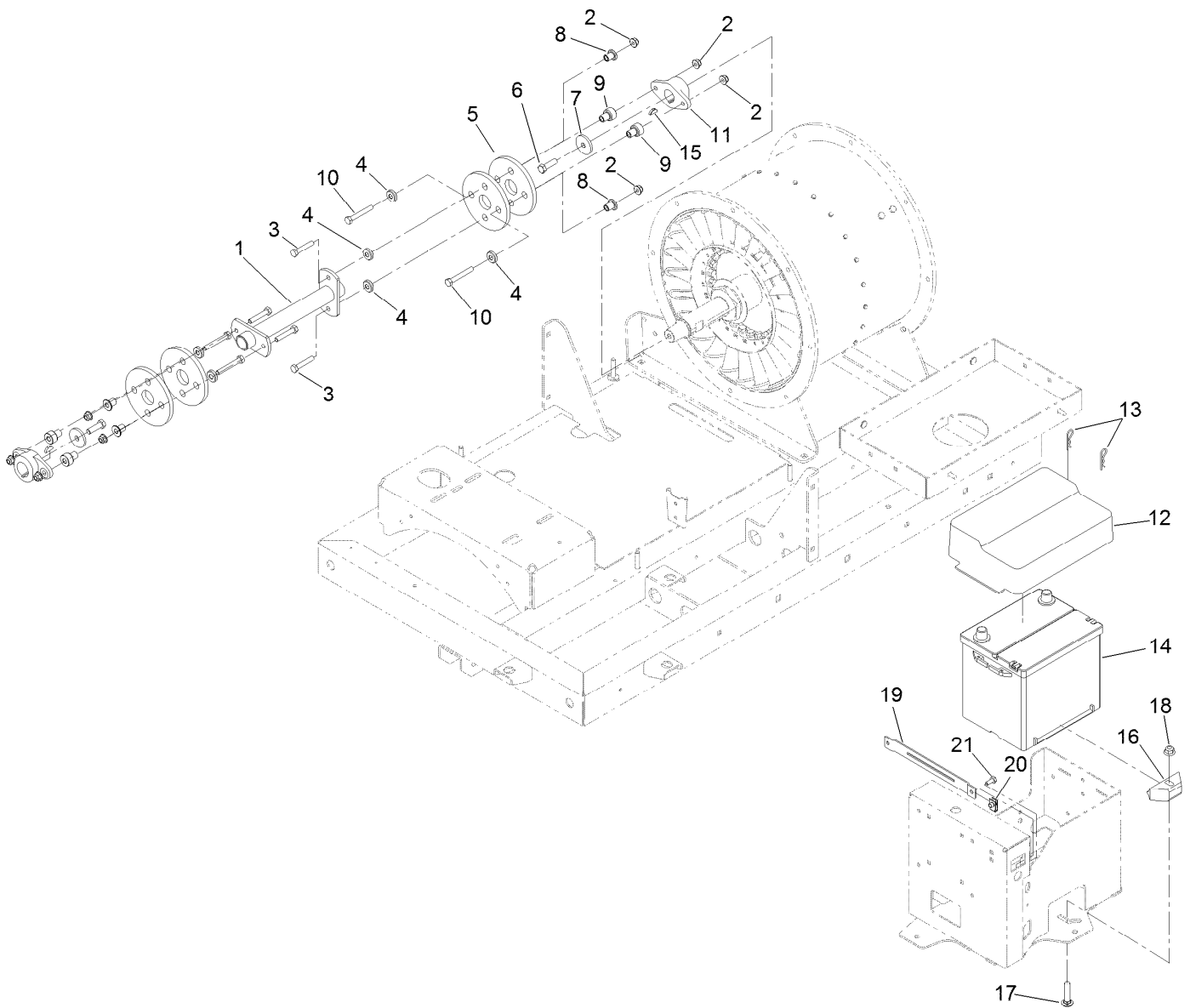
<i>Ref.</i>	<i>Part Number</i>	<i>Qty.</i>	<i>Description</i>	<i>Ref.</i>	<i>Part Number</i>	<i>Qty.</i>	<i>Description</i>
1	92-9533	1	O-Ring	13	117-8356	1	Rotor
2	112-1871	24	Vane-Stator	14	117-8393	1	Spacer-Fin
3	112-1899	1	Nut	15	119-6202	1	Washer-Tab
4	112-1951	4	Ring-Snap, EXT	16	119-6207	1	Spacer-Fin
5	112-6764	2	Bearing-Ball	17	119-6444	4	Mount-Fin
6	114-2164	1	Spacer	18	120-5920	1	Inner Housing
7	115-5128	1	Housing ASM	19	120-6042	1	End-Oring
7:2	115-5106	2	Decal-Danger	20	120-6061	1	Bearing-Cap
8	115-5131	2	Washer	21	120-6063	1	End-Cap
9	115-9005	1	Washer-Tab	22	321-19	8	Screw-HH
10	115-9075	1	Shaft-Fan	23	3257-42	1	Key-Woodruff
11	125-4287	8	Screw-HHF	24	130-0871-03	1	Plate-Center
12	117-8303	24	Screw-HHF				



## Nozzle Drive Assembly

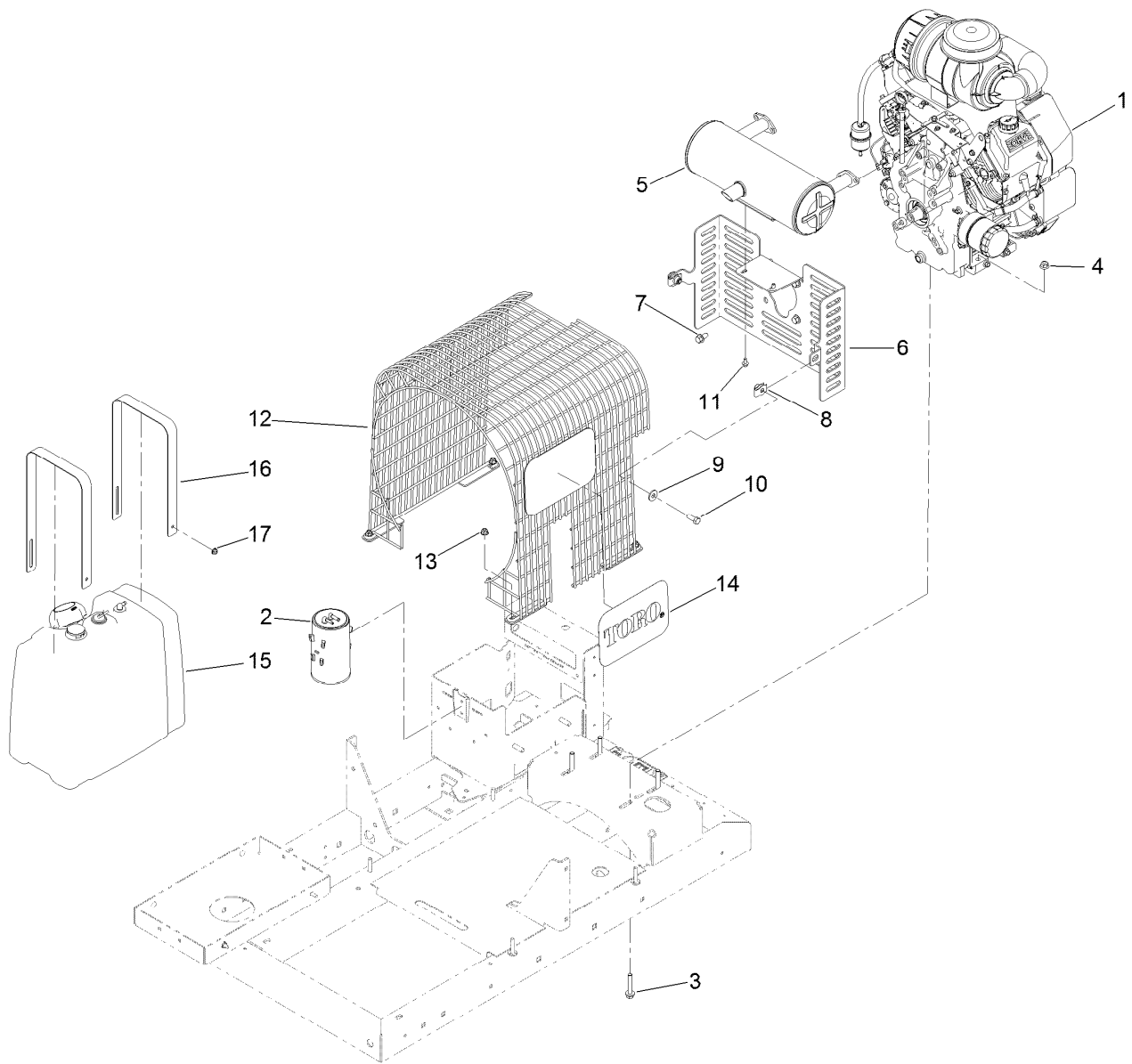
Ref.	Part Number	Qty.	Description	Ref.	Part Number	Qty.	Description
1	119-6287	1	Nozzle	13	104-7201	4	Nut-HF
2	112-6899	1	Clamp-Nozzle	14	104-8300	10	Nut-HF, NI
3	112-1853	1	Belt-V	15	110-9650	1	Leaf Spring ASM
4	130-8551	1	Motor-Reversible	15:2	36-2250	1	Bolt-Shoulder
4:1	114-8414	3	Screw-HHF	15:3	3296-42	1	Nut-Lock, NI
5	115-5149-01	1	Bracket-Motor	16	251-259	3	Bearing-Ball
7	115-5147	1	Pulley	17	88-7200	10	Washer-Flat
8	98-0668	1	Nut	18	3256-74	4	Washer-Flat
9	321-37	4	Screw-HH	19	112-1874	1	Pulley-Nozzle
10	112-6924	1	Guard-Belt, Drive	20	322-7	6	Screw-HH
11	3234-29	2	Screw-HHF	21	114-9868	4	Guide-Nozzle
12	322-10	2	Screw-HH	22	93-6859	8	Spacer





## Battery and Drive Shaft Assembly

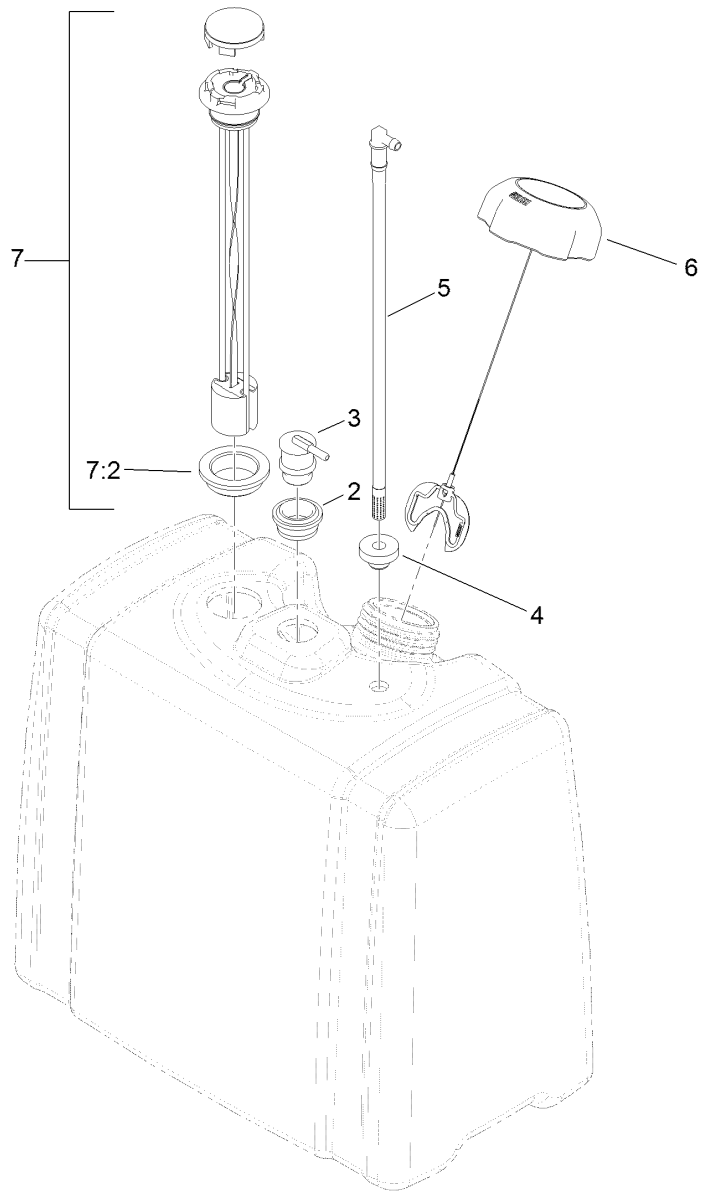
<i>Ref.</i>	<i>Part Number</i>	<i>Qty.</i>	<i>Description</i>	<i>Ref.</i>	<i>Part Number</i>	<i>Qty.</i>	<i>Description</i>
1	115-5124-03	1	Shaft-Drive	12	130-8569	1	Cover-Battery
2	104-8300	8	Nut-HF, NI	13	3290-467	2	Pin-Hair
3	322-39	4	Screw-HH	14	106-5187	1	Battery, 525 CCA W/O Electrolyte
4	131-6761	8	Washer	15	3257-5	2	Key-Woodruff
5	115-5129	4	Coupling-Rubber	16	66-2490	1	Retainer-Battery
6	323-7	2	Screw-HH	17	3231-5	1	Screw-CARR
7	114-2120	2	Washer	18	104-8301	1	Nut-HF, NI
8	131-6763	4	Spacer-Coupling, Rubber	19	130-0932-01	1	Bracket-Cover
9	131-6762	4	Spacer-Coupling, Rubber	20	107069	2	Clip
10	322-32	4	Screw-HH	21	321-3	2	Screw-HH
11	114-2122	2	Hub-Engine				



## Engine, Muffler and Fuel Tank Assembly

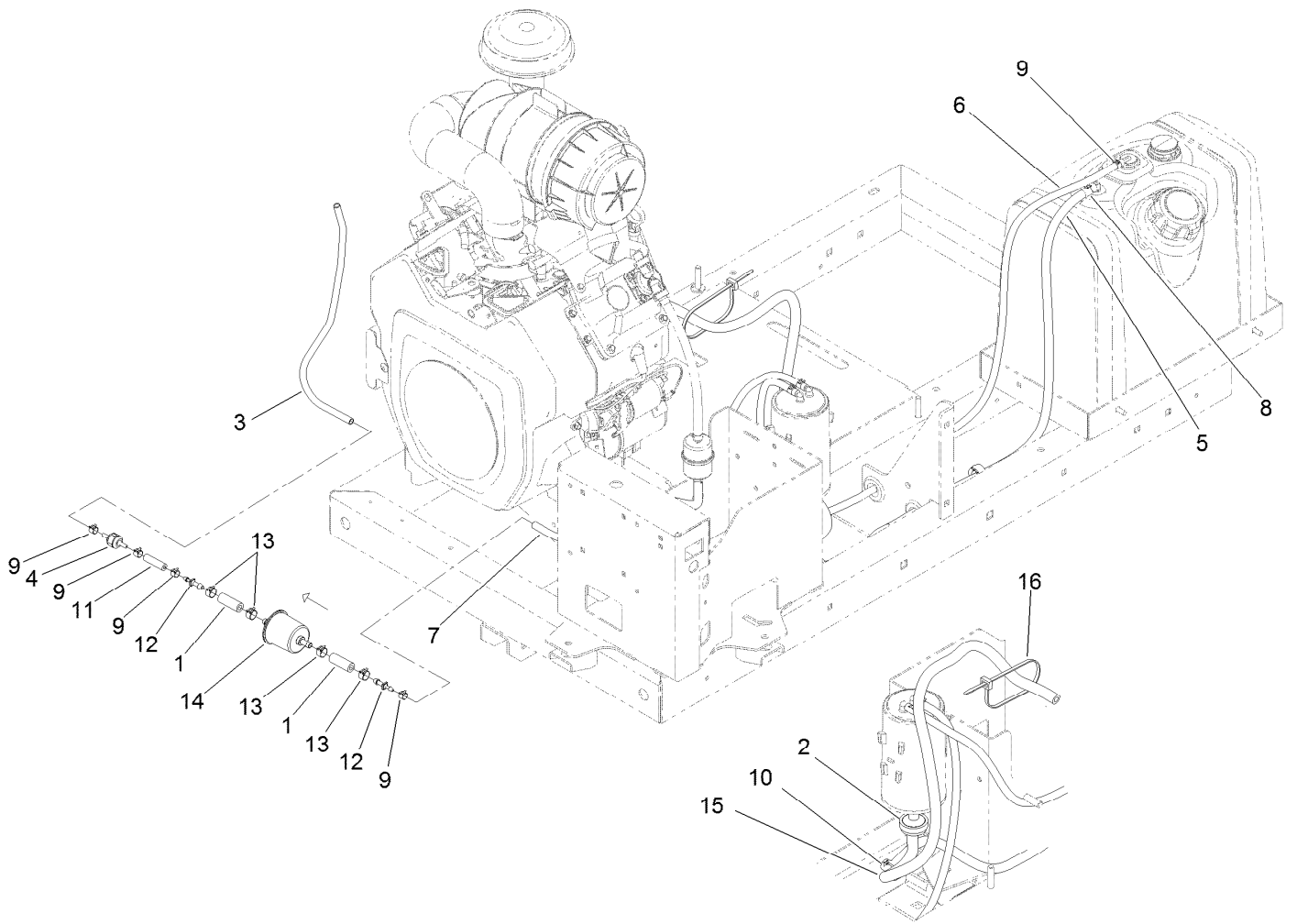
Ref.	Part Number	Qty.	Description	Ref.	Part Number	Qty.	Description
1	144-3302	1	Engine-Kohler ●	10	323-6	2	Screw-HH
2	127-8685	1	Canister-Carbon	11	33103-012	2	Screw-HHF
3	66-9302	4	Screw-HHF, Whiz	12	112-6876	1	Grill-Top
4	104-8301	4	Nut-HF, NI	13	104-8300	4	Nut-HF, NI
5	112-6862	1	Muffler	14	92-1242	2	Decal
6	119-6171-03	1	Mount-Muffler	15	115-9048	1	Fuel Tank ASM
7	110-1718	4	Screw-HHF	16	119-6285	2	Strap-Hold Down, Tank
8	105-4886	2	Nut-Tinnerman	17	104-7201	4	Nut-HF
9	80-6990	2	Washer-Hardened				

● Obtain parts from [www.kohlerplus.com](http://www.kohlerplus.com)



## Fuel Tank Assembly No. 115-9048

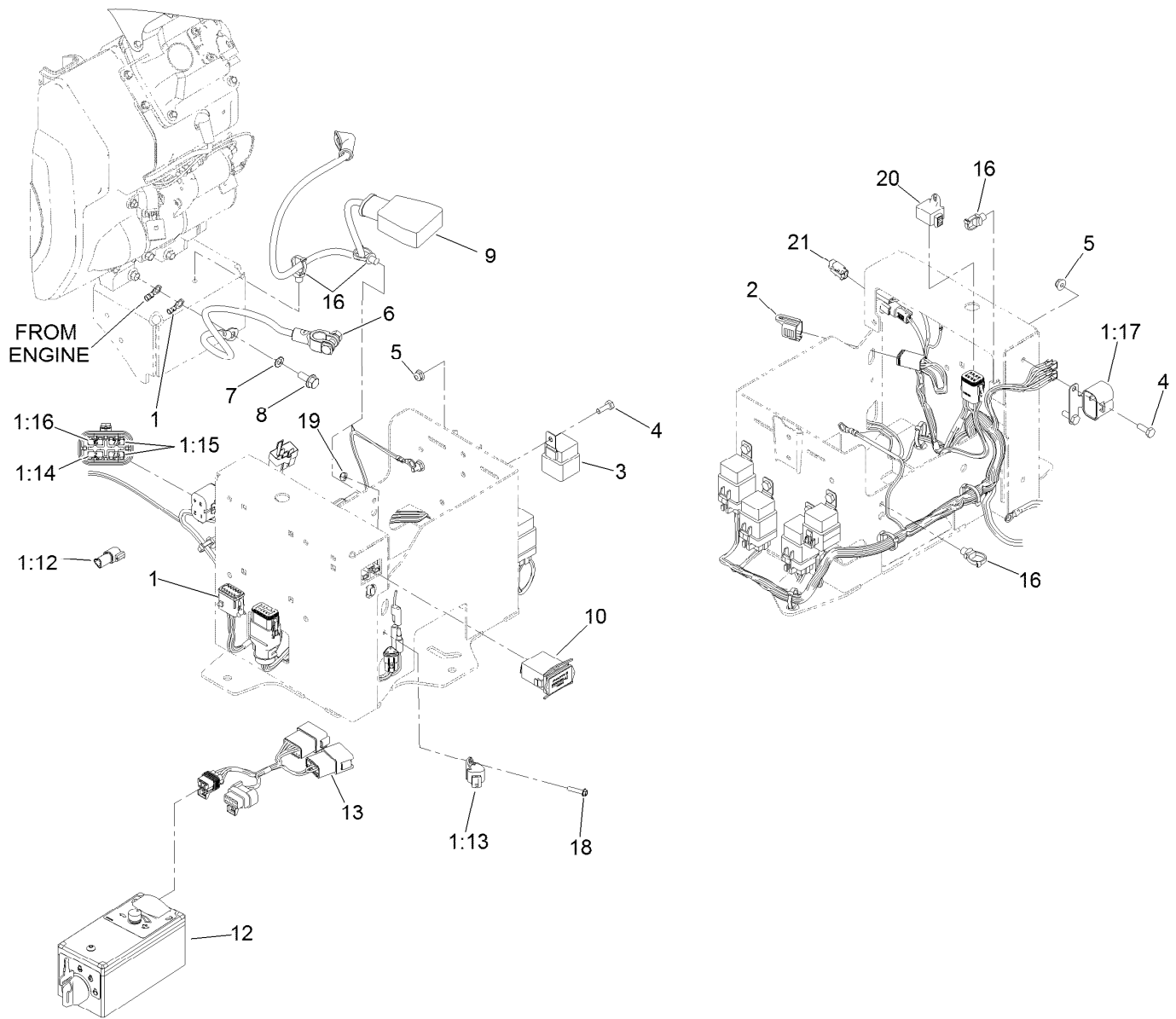
<i>Ref.</i>	<i>Part Number</i>	<i>Qty.</i>	<i>Description</i>
2	114-0284	1	Grommet
3	114-0285	1	Valve-Rollover
4	46-6560	1	Bushing
5	115-9044	1	Pipe-Stand
6	137-4127	1	Cap-Fuel
7	119-0509	1	Gauge ASM
7:2	119-0508	1	Seal



## Fuel Delivery Assembly

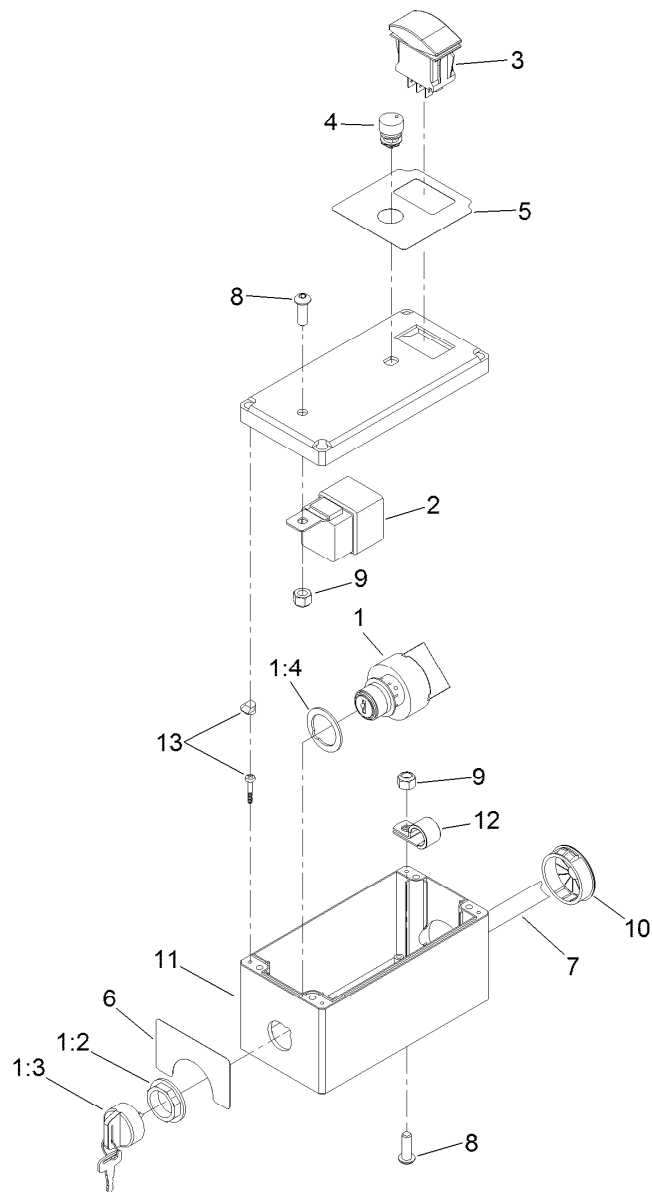
Ref.	Part Number	Qty.	Description
1	106-5317	3	Hose-Fuel
2	115-7854	1	Filter-Fuel, Inline
3	119-8150	1	Hose-Fuel
4	133-8499	1	Valve-Check, Vacuum
5	107-9298	1	Hose-Fuel
6	119-6073	1	Hose-Fuel
7	110-3254	1	Hose-Fuel
8	2412-98	2	Clamp-Hose

Ref.	Part Number	Qty.	Description
9	2412-80	5	Clamp-Hose
10	32180-030	6	Clip-Tie
11	119-8561	1	Hose-Fuel
12	106-8150	2	Fitting-Straight
13	92-2379	4	Clamp-Hose
14	120-2235	1	Filter-Fuel
15	110-4109	1	Hose-Fuel
16	3290-378	1	Tie-Cable



## Electrical Assembly

Ref.	Part Number	Qty.	Description	Ref.	Part Number	Qty.	Description
1	122-1505	1	Harness-Wire	7	3255-8	1	Washer-Lock
1:12	32180-043	2	Resistor-120 Ohm	8	33104-020	1	Screw-HHF
1:13	32180-089	1	Cap-Plug, 3 Way	9	122-0629	1	Cable-Battery, Positive
1:14	121-8861	1	Fuse-Mini Blade, 2 Amp	10	1-513374	1	Meter-Hour
1:15	121-8865	2	Fuse-Mini Blade, 7.5 Amp	12	119-6341	1	Tethered Control ASM
1:16	121-8867	1	Fuse-Mini Blade, 15 Amp	13	122-0620	1	Harness-Wire, Tether Adapter
1:17	32180-179	1	Cover-Bussman	16	32180-030	3	Clip-Tie
2	32180-156	1	Cap-Plug, 6 Way	18	106-9169	1	Screw-HWH
3	99-7430	4	Relay-Mini	19	3296-2	1	Nut-Lock, NI
4	321-4	6	Screw-HH	20	32180-201	1	Cap-Plug
5	104-7201	6	Nut-HF	21	32180-202	1	Cap-Plug
6	125-5966	1	Cable-Battery, Negative				



## Tethered Control Assembly No. 119-6341

<i>Ref.</i>	<i>Part Number</i>	<i>Qty.</i>	<i>Description</i>
1	106-5269	1	Ignition Switch ASM
1:2	108-8660	1	Nut-Mounting
1:3	106-5270	1	Ignition Key Set
1:4	108-8659	1	Washer-Backup
2	99-7430	1	Relay-Mini
3	100-1535	1	Switch-Rocker, (On)-Off-(On)
4	119-1774	1	Potentiometer
5	119-1775	1	Decal-Tether, Throttle

<i>Ref.</i>	<i>Part Number</i>	<i>Qty.</i>	<i>Description</i>
6	119-1776	1	Decal-Tether, Start
7	119-1757	1	Harness-Tethered Control
8	3274-69	2	Screw-HSBH
9	3296-42	2	Nut-Lock, NI
10	119-1105	1	Bushing
11	119-1101	1	Box-Control
12	2412-73	1	Clamp-R
13	119-6243	1	Hardware Kit

# Attachments and Accessories

## For 44554 Pro Force Debris Blower

Product Name	Model/Part
Tapered Nozzle Kit.....	119-6280
Rectangular Nozzle Kit .....	119-6281
Spark Arrestor Screen .....	94-8157



**Count on it.**