



# 34in Bagging Enhancement Kit

TimeCutter® Riding Mower

Model No. 140-8369

## Installation Instructions

Determine the left and right sides of the machine from the normal operating position.

## Preparing the Machine

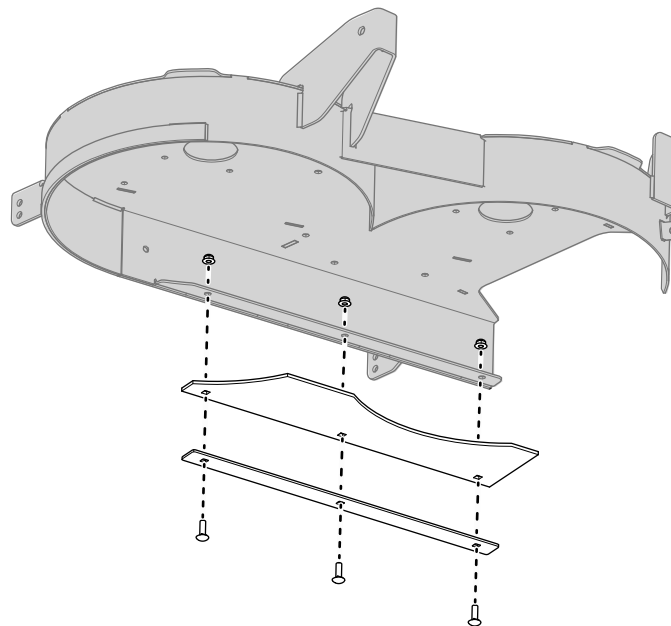
1. Park the machine on a level surface.
2. Disengage the blade-control switch.
3. Move the motion-control levers outward to the PARK position.
4. Shut off the engine and remove the key.
5. For easier access, raise the front of the machine and support it using jackstands rated for your machine.

### **⚠ WARNING**

**Mechanical or hydraulic jacks may fail to support the machine and cause serious injury.**

**Use jack stands when supporting the machine.**

## Installing the Kit



g347996





**Count on it.**