



Count on it.

Parts Catalog

GrandStand[®] Mower

With 48in TURBO FORCE[®] Cutting Unit

Model No. 72518—Serial No. 40000000 and Up



Ordering Replacement Parts

To order replacement parts, please supply the part number, the quantity, and the description of each part desired.

Understanding Reference Numbers

Each identified part in an illustration has a reference number. The reference number for a part also appears in the parts list, along with other information about the part.

This catalog uses two special reference number formats, one to indicate parts in a service assembly and another to indicate the quantity of a given part in an illustration.

Service Assembly Reference Numbers

Parts in service assemblies have reference numbers in the form a:b. The a represents the reference number of the entire service assembly and the b represents a sequential number unique to each part within the service assembly.

For example, a wheel assembly might be identified by reference number 6, the tire by 6:1, the valve by 6:2, and the wheel by 6:3. When you order the assembly identified by reference number 6, you receive all parts identified by reference numbers 6:1, 6:2, and 6:3. However, you may also order any part individually. Reference numbers of this type appear in illustration and in parts lists.

Reference Numbers Indicating Quantity

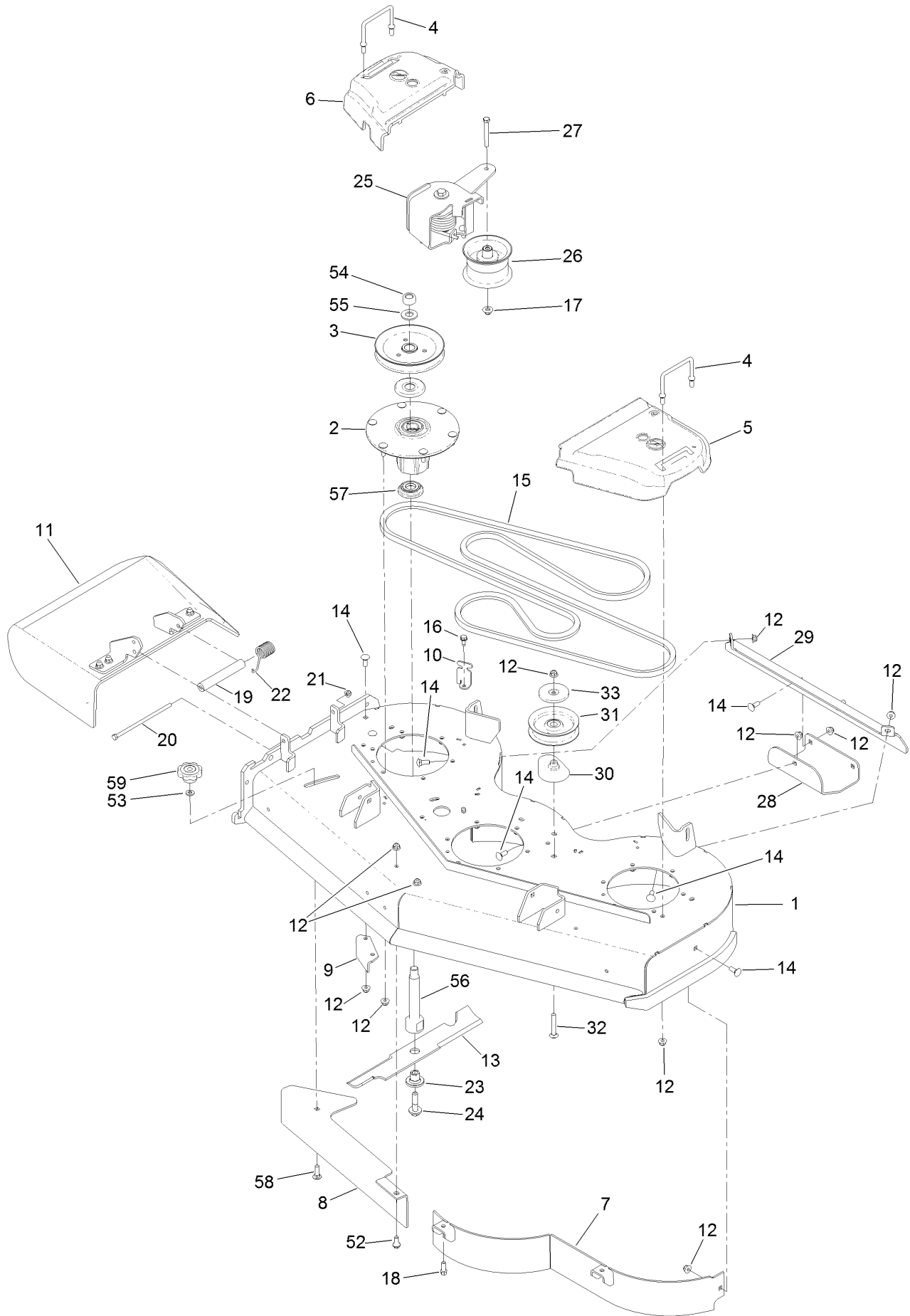
In an illustration, if a reference number indicates more than one part, the reference number has the form nX y. The n represents the quantity of the part, the X is the multiplication symbol, and the y represents the reference number.

For example, in an illustration, the reference number 2X 37 means that two of the parts identified by reference number 37 are indicated.

Contents

48 Inch Deck Assembly	4
Deck Decal Assembly No. 139-8093	6
Spindle Assembly No. 137-9780	8
Deflector Assembly No. 120-2451	10
Ground Drive Assembly	12
LH Transmission Assembly No. 138-5838	14
RH Transmission Assembly No. 138-5839	16
Hydraulic Hose Assembly No. 139-4059	18
Motion Control Assembly	20
Control Handle Assembly No. 132-5157	22
Control Handle Assembly No. 132-5158	24
Parking Brake Assembly	26
Deck Lift Assembly	28
HOC Lever Assembly No. 130-1755	30
Frame Assembly	32
Wheel and Bearing Assembly	34
Platform Assembly	36
Engine Assembly	38
Fuel Tank Assembly	40
Carbon Canister Assembly	42
Electrical Assembly	44
Attachments and Accessories	46

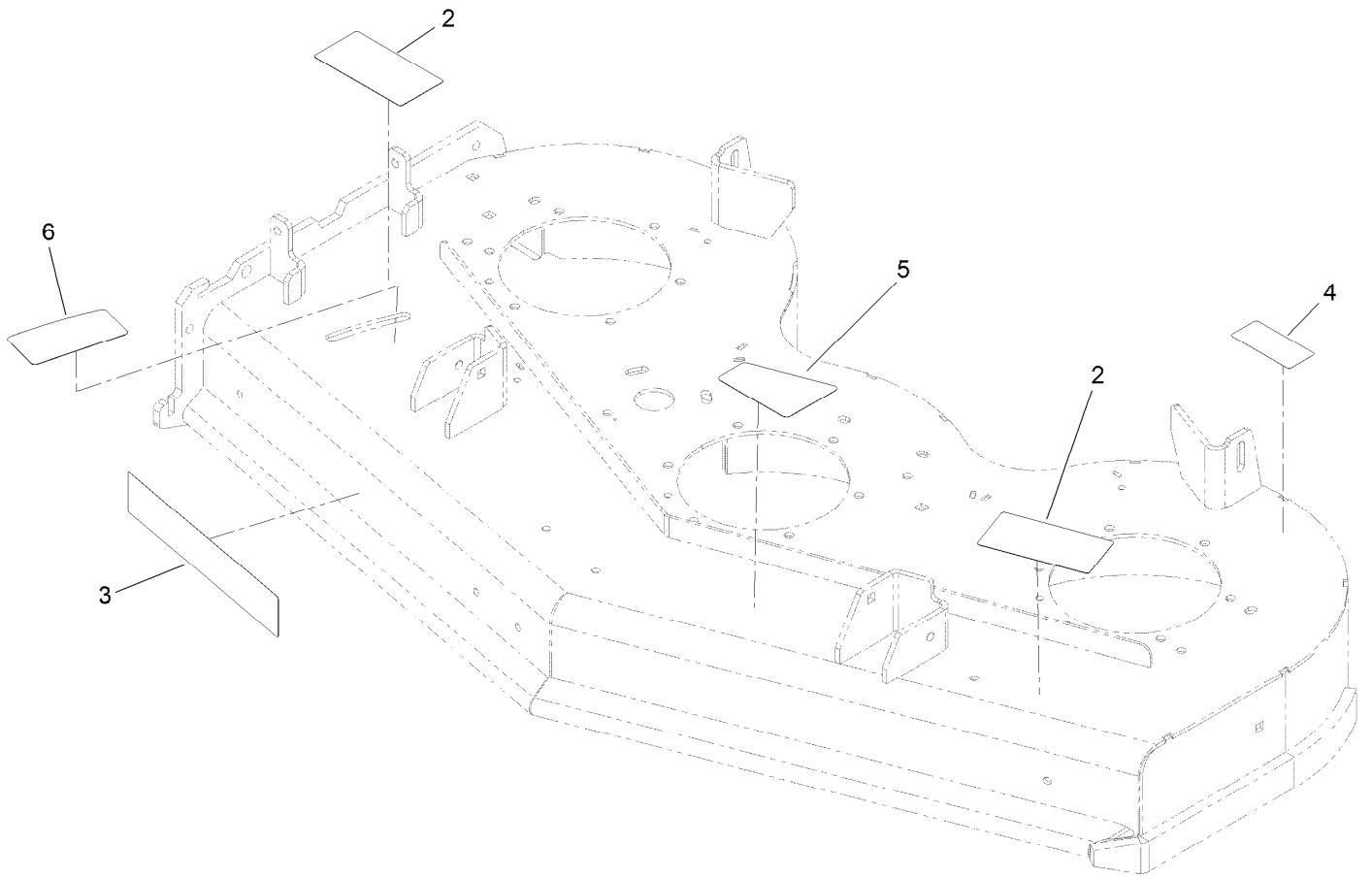
48 Inch Deck Assembly



48 Inch Deck Assembly (continued)

<i>Ref.</i>	<i>Part Number</i>	<i>Qty.</i>	<i>Description</i>	<i>Ref.</i>	<i>Part Number</i>	<i>Qty.</i>	<i>Description</i>
1	139-8093	1	48 Deck ASM	22	108-4052	1	Spring-Torsion
2	137-9780	3	Spindle ASM	23	137-9787	3	Bushing-Hex
3	138-6061	3	Sheave-Blade, Drive	24	109-9220	3	Screw-Sems
4	109-6982	3	Wireform-Cover	25	136-7395	1	Idler Torsion ASM
5	109-6936	1	Cover-Belt, LH	26	127-1971	1	Pulley-Idler
6	109-6935	1	Cover-Belt, RH	27	323-14	1	Screw-HH
7	117-0410-01	1	48 Inch Baffle ASM	28	114-1908-01	1	Skid
8	139-8105-01	1	Plate-Baffle, Formed [red]	29	130-6649-01	1	Bracket-Skid
9	107-8541-01	1	Baffle-Discharge	30	109-2872	1	Spacer-Pulley
10	117-5758-03	4	Bracket-Cover	31	132-4718	1	Pulley-Idler, Flat
11	120-2451	1	Deflector ASM	32	3231-44	1	Screw-CARR
12	104-8301	39	Nut-HF, NI	33	132-5154	1	Shield-Dust
13	140-1243	3	Blade-16.50 High Flow	52	94-7582	1	Bolt-Shoulder
14	3231-2	8	Bolt-CARR	53	100-4852	1	Washer-Hardened
15	131-1121	1	Belt-V	54	116-7306	3	Nut-Hex
16	32144-70	4	Screw-HWHTF	55	103-2802	3	Washer
17	109-6658	1	Nut-Flange, NI	56	138-6045	3	Shaft-Spindle
18	92-1624	2	Screw-HWH	57	137-9784	3	Guard-Bottom
19	105-4622	1	Spacer	58	3231-25	1	Bolt-CARR
20	322-50	1	Screw-HH	59	109-1092	1	Knob
21	104-8300	1	Nut-HF, NI				

Deck Decal Assembly No. 139-8093



Deck Decal Assembly No. 139-8093 (continued)

<i>Ref.</i>	<i>Part Number</i>	<i>Qty.</i>	<i>Description</i>	<i>Ref.</i>	<i>Part Number</i>	<i>Qty.</i>	<i>Description</i>
2	133-4604	2	Decal-Danger	5	131-3507	1	Decal-Belt, Tension (CE)
3	107-1690	1	Decal	6	131-1180	1	Decal-Adjustment, Baffle
4	116-8283	1	Decal-Torque, Bolt				

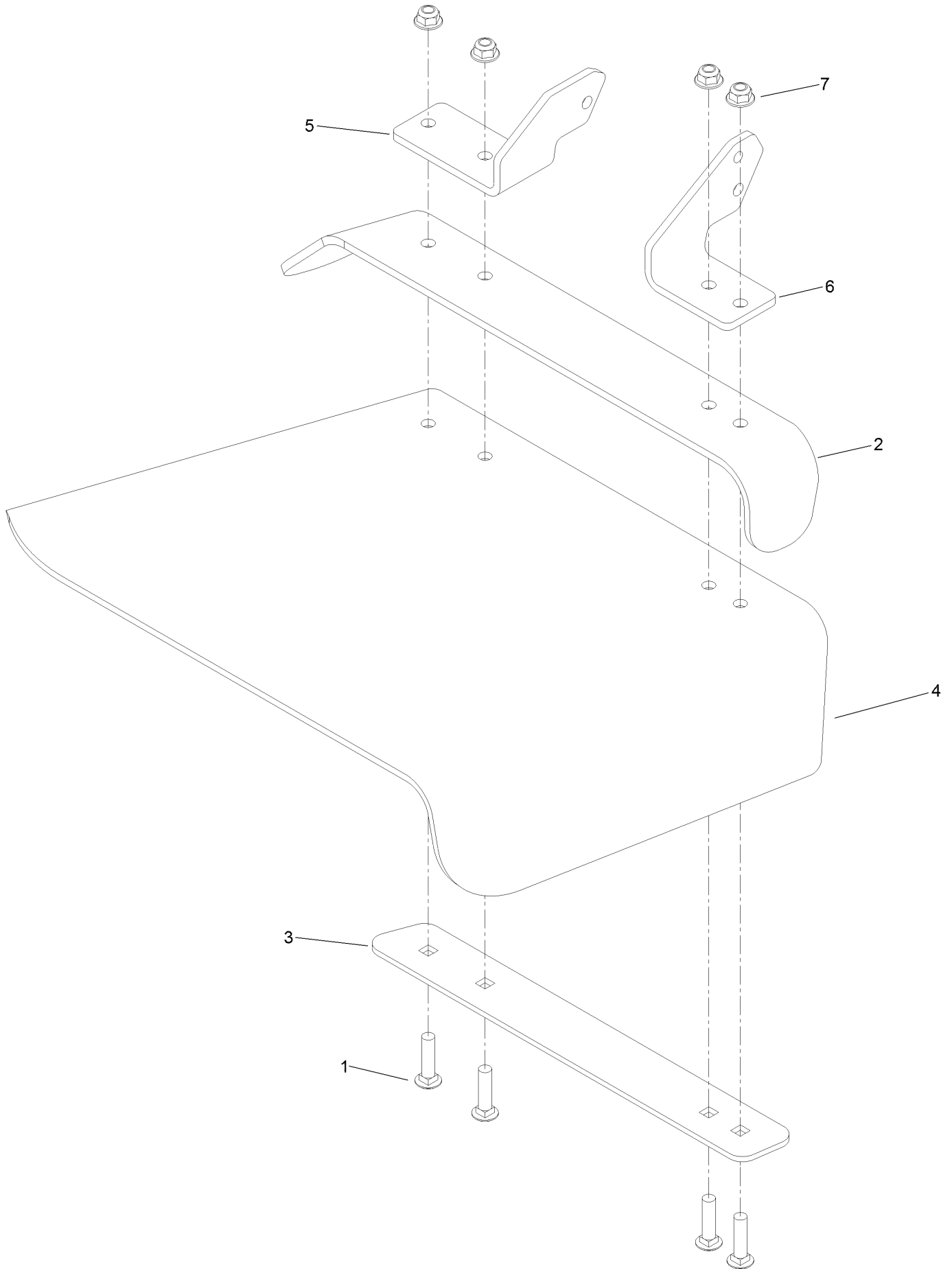
Spindle Assembly No. 137-9780



Spindle Assembly No. 137-9780 (continued)

<i>Ref.</i>	<i>Part Number</i>	<i>Qty.</i>	<i>Description</i>
2	116-0720	2	Bearing-Ball
3	138-6042	1	Spacer-Bearing

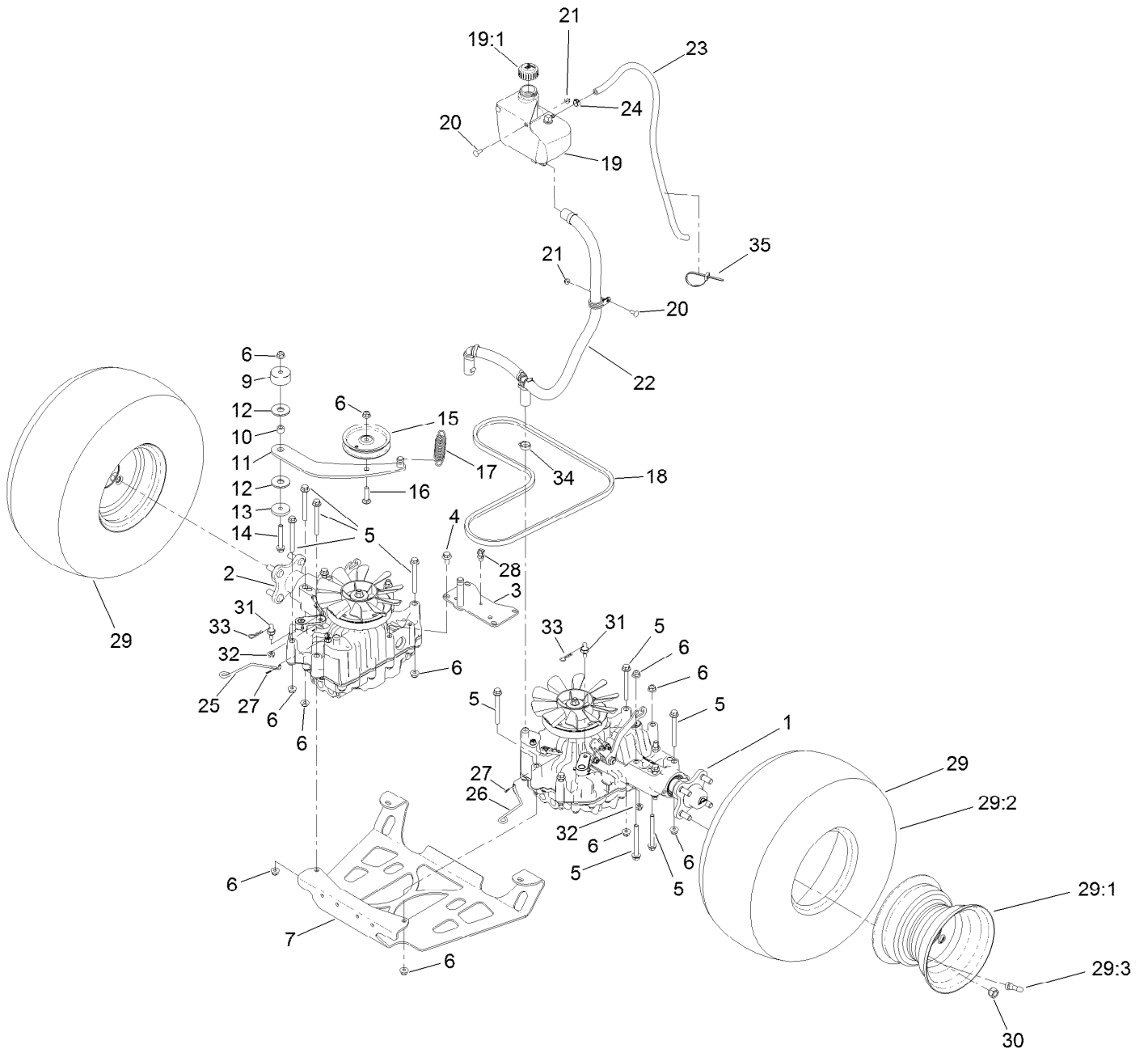
Deflector Assembly No. 120-2451



Deflector Assembly No. 120-2451 (continued)

<i>Ref.</i>	<i>Part Number</i>	<i>Qty.</i>	<i>Description</i>	<i>Ref.</i>	<i>Part Number</i>	<i>Qty.</i>	<i>Description</i>
1	3231-4	4	Screw-CARR	5	108-4059-01	1	Plate-Hinge, Rear
2	106-3246-01	1	Deflector	6	106-3253-01	1	Plate-Hinge, Front
3	106-3248-03	1	Strap-Discharge	7	104-8301	4	Nut-HF, NI
4	110-0759	1	Deflector-Rubber				

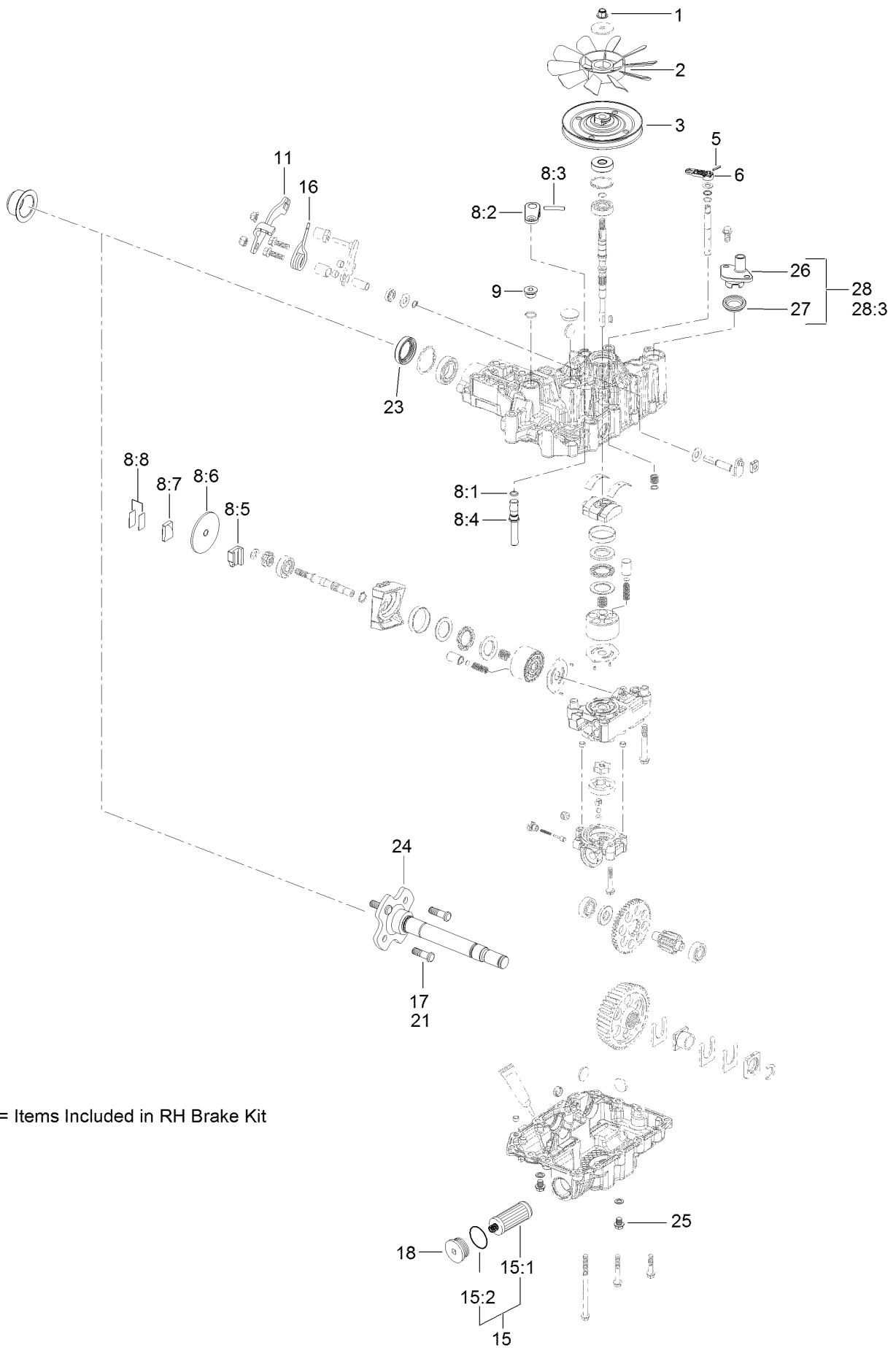
Ground Drive Assembly



Ground Drive Assembly (continued)

<i>Ref.</i>	<i>Part Number</i>	<i>Qty.</i>	<i>Description</i>	<i>Ref.</i>	<i>Part Number</i>	<i>Qty.</i>	<i>Description</i>
1	138-5838	1	LH Transmission ASM	20	3229-25	3	Screw-CARR
2	138-5839	1	RH Transmission ASM	21	104-7201	3	Nut-HF
3	131-1131-03	1	Support-Transaxle	22	139-4059	1	HYD Hose ASM
4	93-2569	4	Screw-HHF	23	109-0309	1	Hose-Fuel
5	116-4701	16	Screw-HHF	24	92-2379	1	Clamp-Hose
6	104-8301	18	Nut-HF, NI	25	131-7469	1	Rod-Bypass, RH
7	138-1108-03	1	Plate-Skid	26	131-7470	1	Rod-Bypass, LH
9	117-5351	1	Spacer	27	108-2992	2	Pin-Hair
10	1-413088	1	Bushing-Lever, Lift	28	32180-030	1	Clip-Tie
11	131-1175	1	Arm-Idler	29	140-1888	2	Wheel And Tire ASM
12	114-0463	2	Washer-Friction, Composite	29:1	140-1889	1	Rim-8 Inch Black
13	110-9981	1	Washer-Plain	29:2	120-6466	1	Tire
14	3234-39	1	Screw-HHF	29:3	232-27	1	Stem-Valve
15	93-1622	1	Pulley-Idler	30	242-50	8	Nut-Lug
16	3231-4	1	Screw-CARR	31	132-7584	2	Spacer-Hex
17	138-1104	1	Spring-Extension	32	104-8300	2	Nut-HF, NI
18	131-1124	1	Belt-V	33	3290-250	2	Pin-Cotter
19	132-1135	1	Tank-HYD	34	2412-141	2	Clamp-Drive, Worm
19:1	133-8677	1	Cap-Vented	35	3290-378	1	Tie-Cable

LH Transmission Assembly No. 138-5838



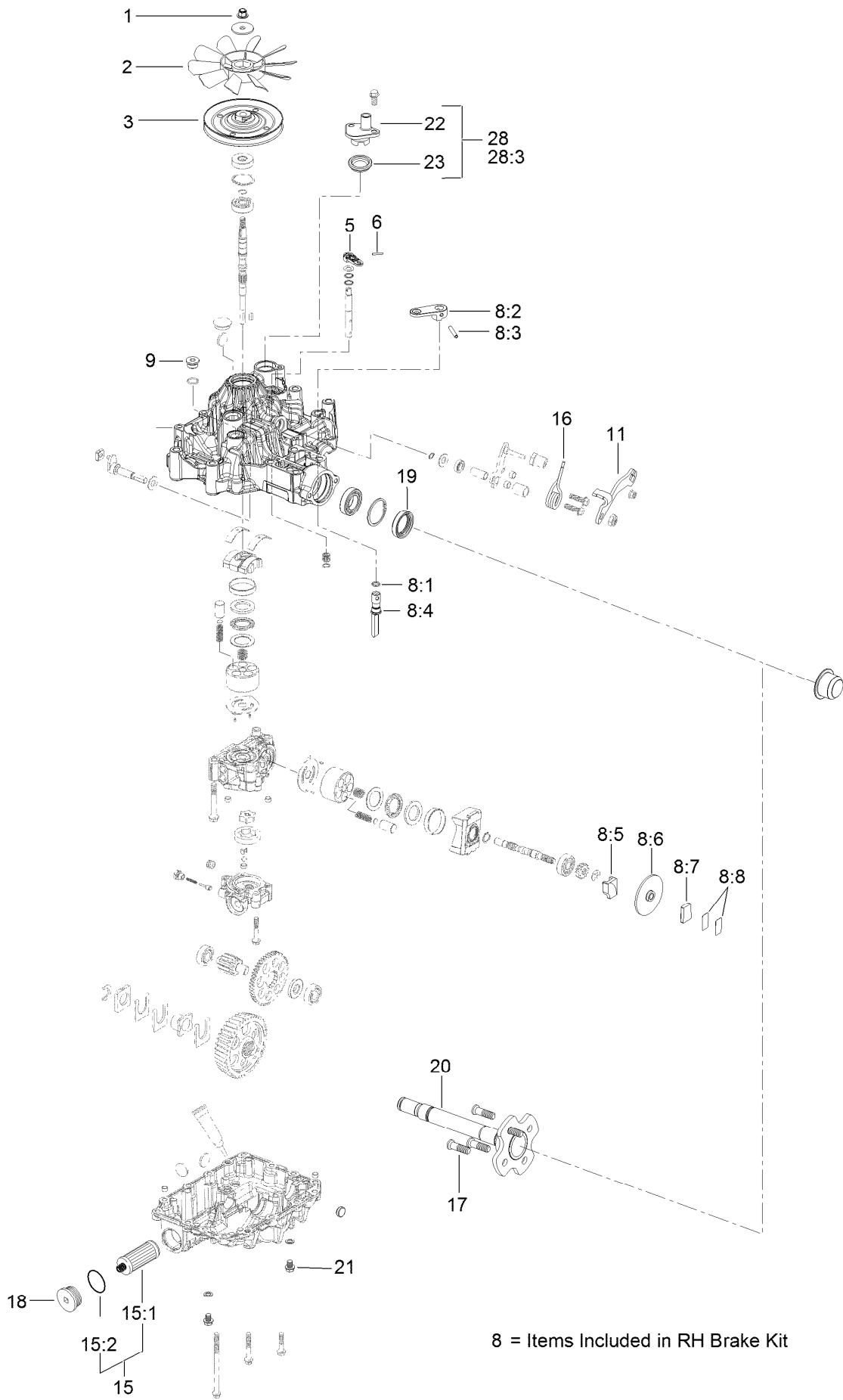
8 = Items Included in RH Brake Kit

LH Transmission Assembly No. 138-5838 (continued)

<i>Ref.</i>	<i>Part Number</i>	<i>Qty.</i>	<i>Description</i>	<i>Ref.</i>	<i>Part Number</i>	<i>Qty.</i>	<i>Description</i>
1	132-4737	1	Nut-Lock	15	132-4743	1	Hydro Filter Kit
2	132-4738	1	Fan	15:1	136-5409	2	Filter
3	132-4739	1	Pulley	15:2	136-5410	2	O-Ring
5	104-3265	1	Pin	16	137-4109	1	Spring-Torsion
6	132-4700	1	Lever-Bypass	17	137-9509	4	Stud-Wheel
8	133-1468	1	Brake Kit,Left	18	138-4613	1	Cap-Oil Filter
8:1		1	O-Ring ●	21	137-9509	1	Stud-Wheel
8:2		1	Arm-Brake ●	23	139-5587	1	Seal-Axle, Ua
8:3		1	Pin-Roll ●	24	139-5588	1	Axle
8:4		1	Shaft-Brake ●	25	139-5589	2	Drain Bolt
8:5		1	Actuator-Brake ●	26	139-5590	1	Expansion Fitting
8:6		1	Disc-Brake ●	27	139-5591	1	Grommet Seal, Expansion Fitting
8:7		1	Shoe-Brake ●				
8:8		1	Shim Kit ●	28	139-7871	1	Expansion Fitting - W/ Seal
9	132-4735	1	Cap-Oil	28:3		1	M8*20 Flange Bolt ●
11	136-5401	1	Lever-Control, RH				

● Not serviced separately

RH Transmission Assembly No. 138-5839

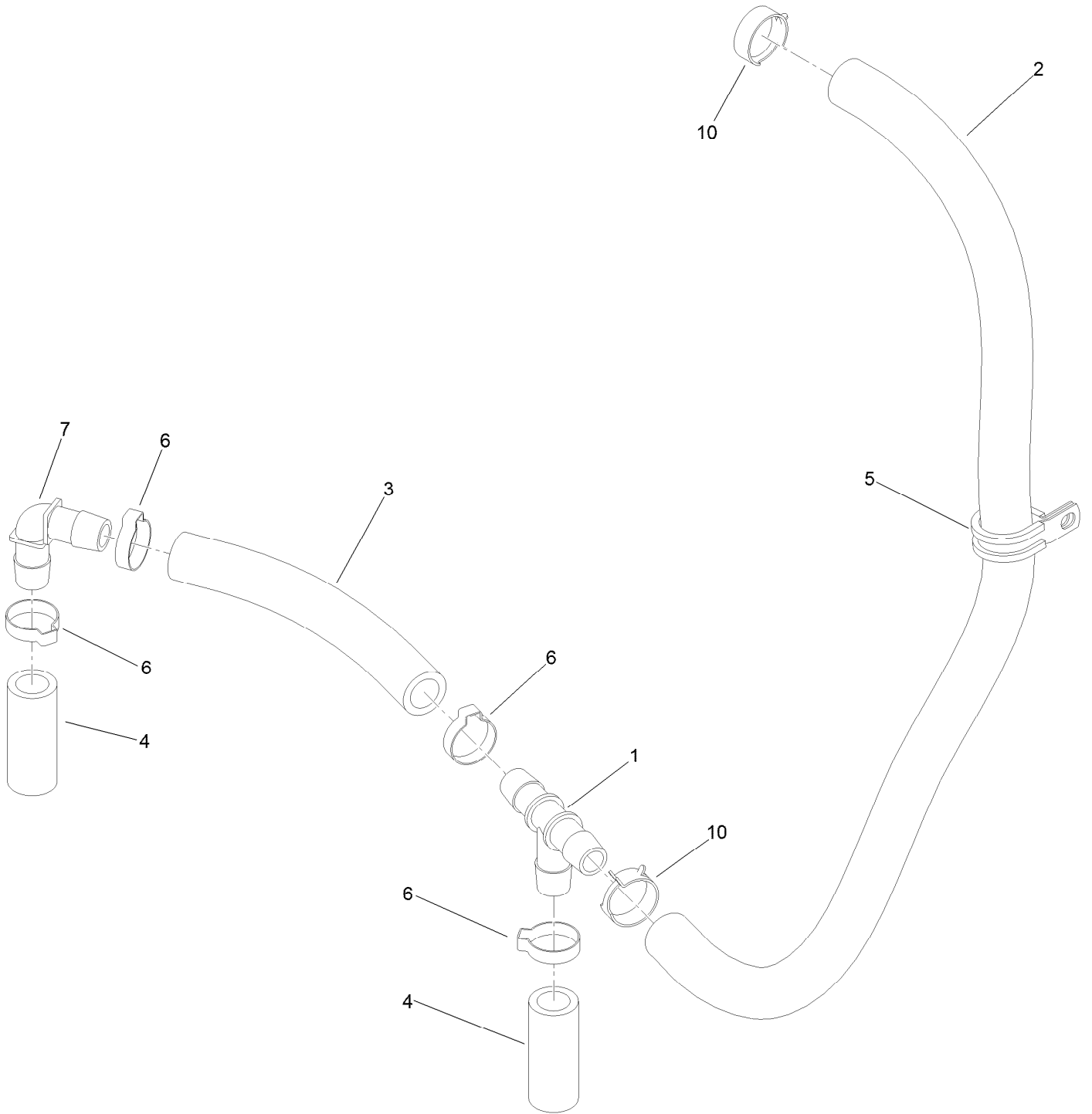


RH Transmission Assembly No. 138-5839 (continued)

<i>Ref.</i>	<i>Part Number</i>	<i>Qty.</i>	<i>Description</i>	<i>Ref.</i>	<i>Part Number</i>	<i>Qty.</i>	<i>Description</i>
1	132-4737	1	Nut-Lock	11	136-5401	1	Lever-Control, RH
2	132-4738	1	Fan	15	132-4743	1	Hydro Filter Kit
3	132-4739	1	Pulley	15:1	136-5409	2	Filter
5	104-3265	1	Pin	15:2	136-5410	2	O-Ring
6	132-4700	1	Lever-Bypass	16	137-4109	1	Spring-Torsion
8	133-1462	1	RH Brake Kit	17	137-9509	4	Stud-Wheel
8:1		1	O-Ring ●	18	138-4613	1	Cap-Oil Filter
8:2		1	Arm-Brake ●	19	139-5587	1	Seal-Axle, Ua
8:3		1	Pin-Roll ●	20	139-5588	1	Axle
8:4		1	Shaft-Brake ●	21	139-5589	2	Drain Bolt
8:5		1	Actuator-Brake ●	22	139-5590	1	Expansion Fitting
8:6		1	Disc-Brake ●	23	139-5591	1	Grommet Seal, Expansion Fitting
8:7		1	Shoe-Brake ●	28	139-7871	1	Expansion Fitting - W/ Seal
8:8		1	Shim Kit ●	28:3		1	M8*20 Flange Bolt ●
9	132-4735	1	Cap-Oil				

● Not serviced separately

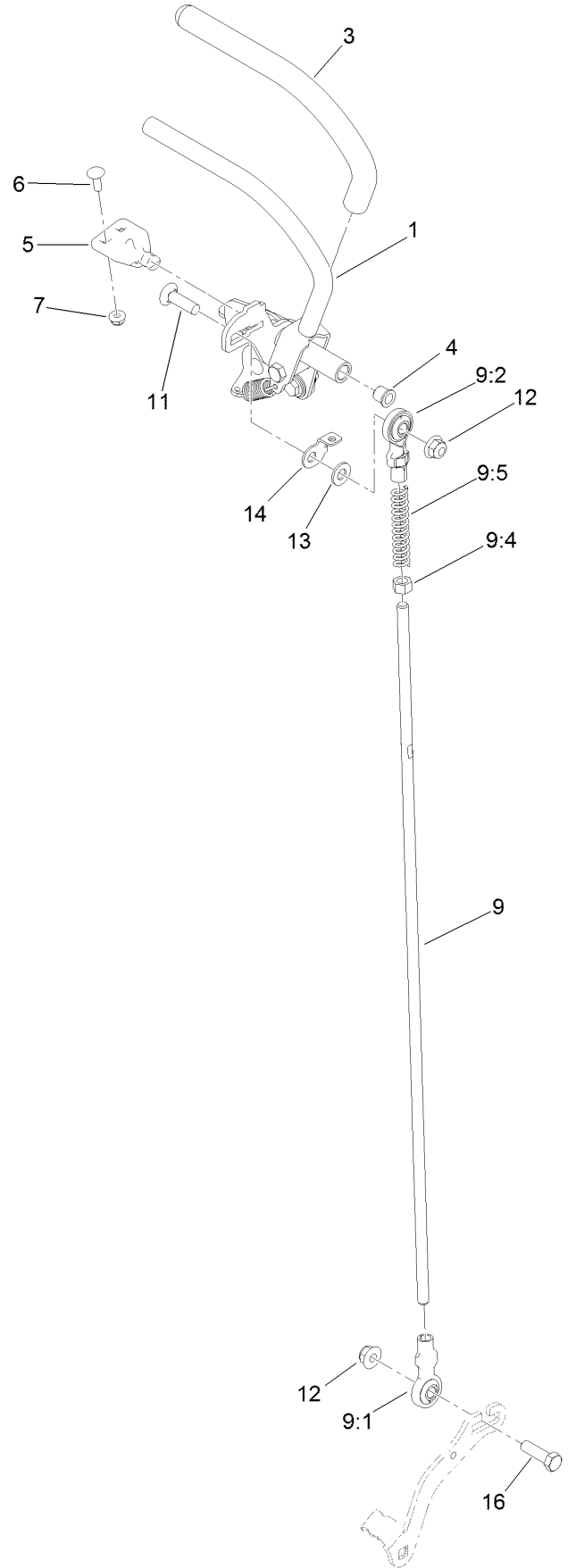
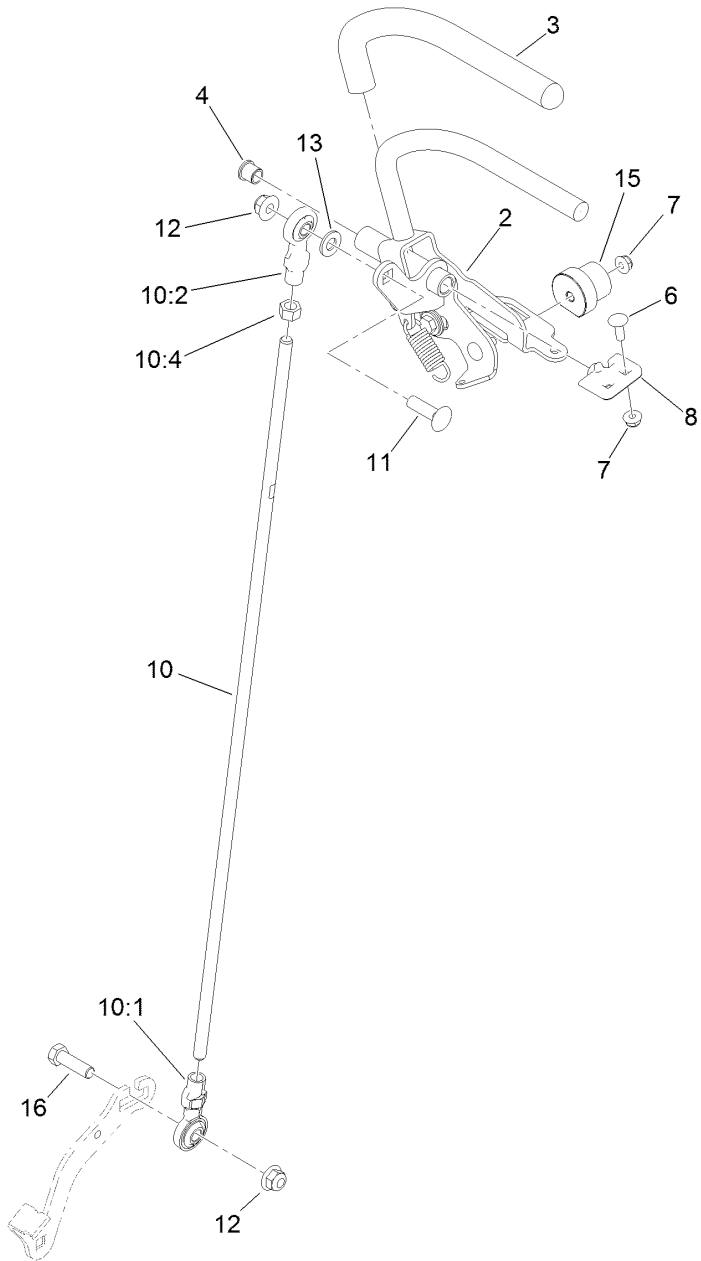
Hydraulic Hose Assembly No. 139-4059



Hydraulic Hose Assembly No. 139-4059 (continued)

<i>Ref.</i>	<i>Part Number</i>	<i>Qty.</i>	<i>Description</i>	<i>Ref.</i>	<i>Part Number</i>	<i>Qty.</i>	<i>Description</i>
1	139-4055	1	Fitting Tee	5	132-7590	1	R-Clamp
2	132-5124	1	Hydraulic Hose	6	139-4057	4	Hose Clamp, Oetiker
3	132-5125	1	Hydraulic Hose	7	139-4056	1	Fitting 90 DEG
4	132-5126	2	Hydraulic Hose	10	132-5133	2	Clamp-Spring

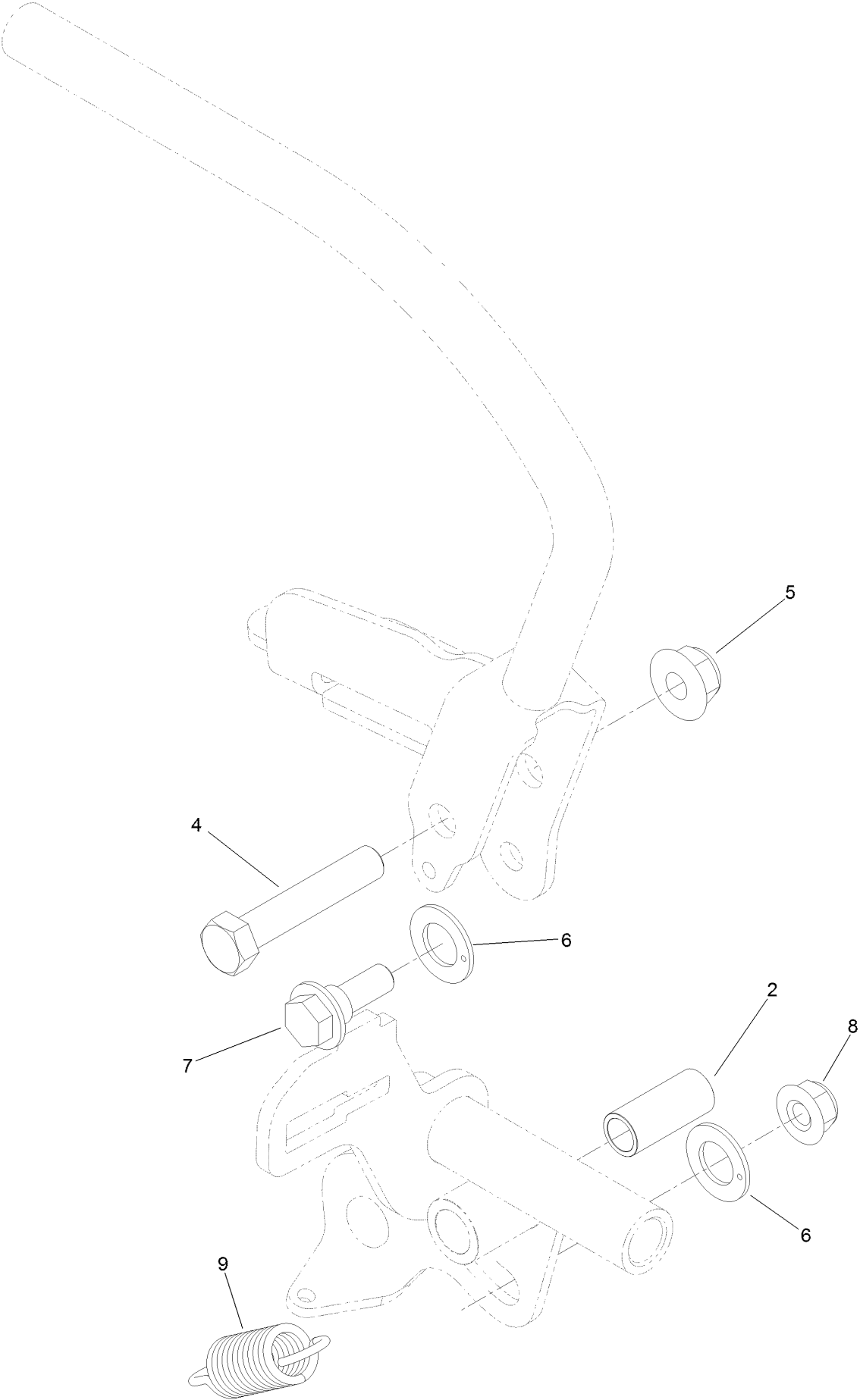
Motion Control Assembly



Motion Control Assembly (continued)

<i>Ref.</i>	<i>Part Number</i>	<i>Qty.</i>	<i>Description</i>	<i>Ref.</i>	<i>Part Number</i>	<i>Qty.</i>	<i>Description</i>
1	132-5157	1	LH Control Handle ASM	9:5	1-603807	1	Spring-Return, Neutral
2	132-5158	1	RH Control Handle ASM	10	138-4620	1	RH Control Rod ASM
3	119-0222	2	Grip	10:1	138-4647	1	Ball Joint-LH
4	103-9928	2	Bearing	10:2	138-4648	1	Ball Joint-RH
5	120-3288	1	Tab-Pivot, LH	10:4	3219-3	1	Nut-Hex
6	3229-1	4	Screw-CARR	11	3231-28	2	Screw-CARR
7	104-7201	6	Nut-HF	12	104-8301	4	Nut-HF, NI
8	120-3287	1	Tab-Pivot, RH	13	3256-24	2	Washer-Flat
9	138-4619	1	LH Control Rod ASM	14	132-7538	1	Bracket-Adjustment, Speed
9:1	138-4647	1	Ball Joint-LH	15	126-1499	2	Cam
9:2	138-4648	1	Ball Joint-RH	16	323-7	2	Screw-HH
9:4	3219-3	1	Nut-Hex				

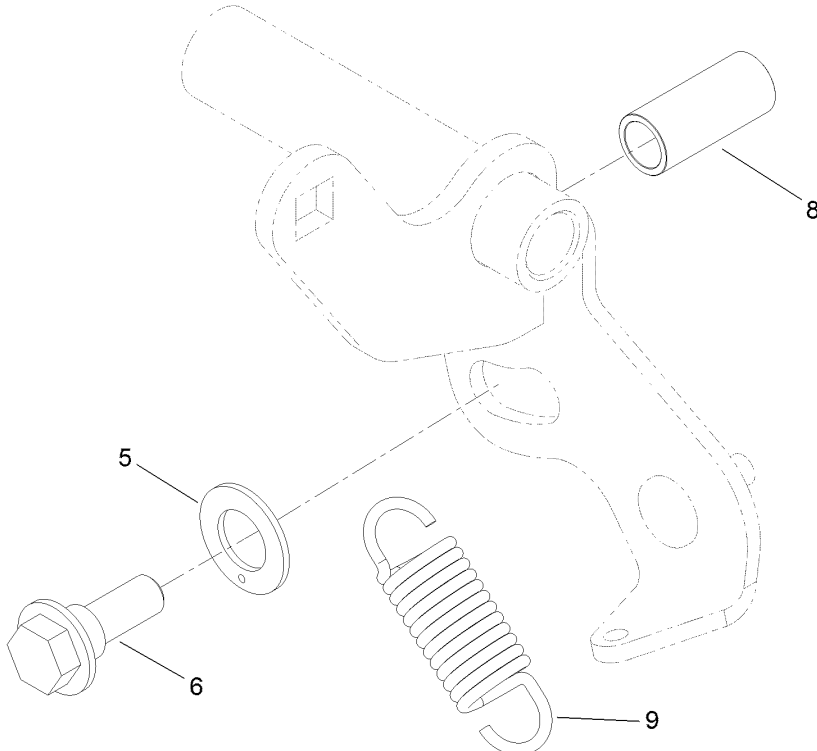
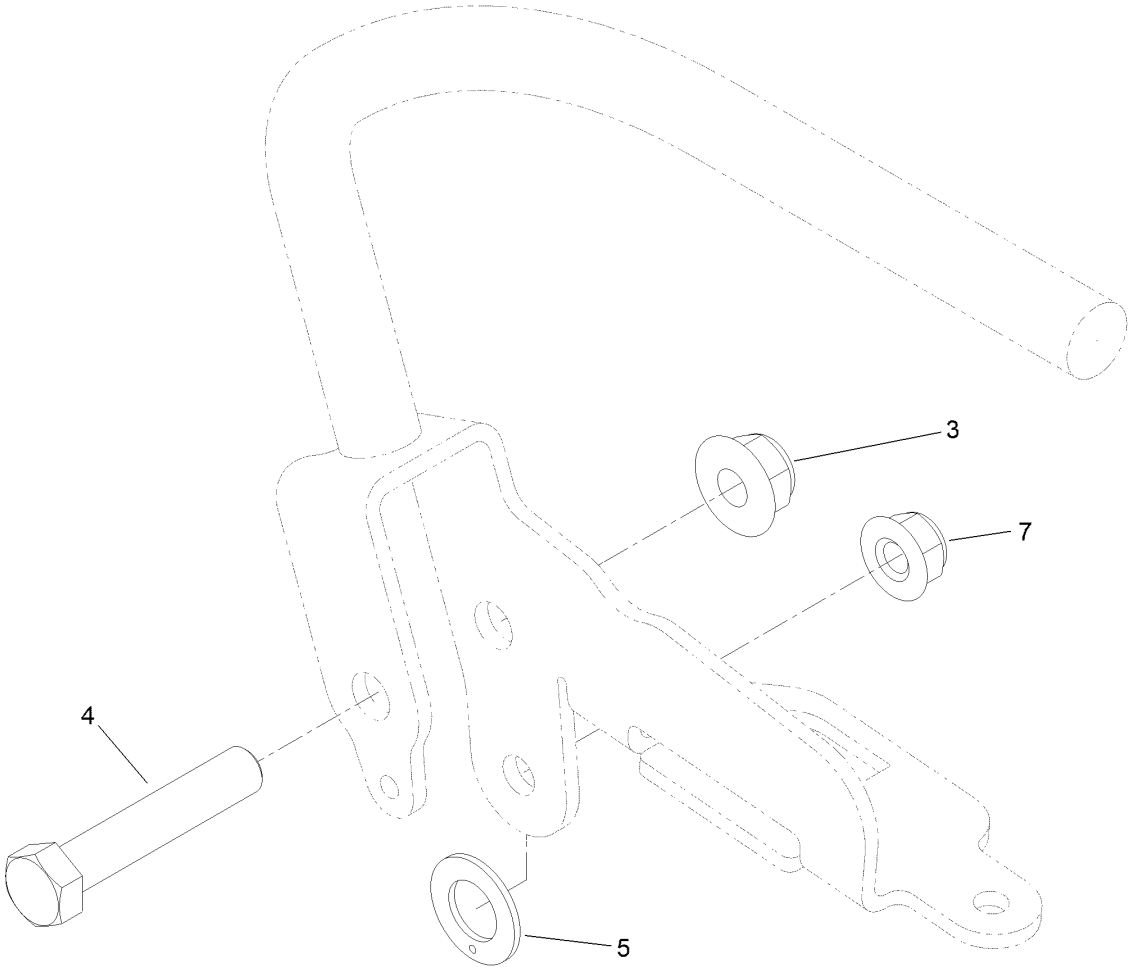
Control Handle Assembly No. 132-5157



Control Handle Assembly No. 132-5157 (continued)

<i>Ref.</i>	<i>Part Number</i>	<i>Qty.</i>	<i>Description</i>	<i>Ref.</i>	<i>Part Number</i>	<i>Qty.</i>	<i>Description</i>
2	131-3562	1	Bearing-Sleeve	7	116-2670	1	Screw-Shoulder
4	323-10	1	Screw-HH	8	104-8300	1	Nut-HF, NI
5	104-8301	1	Nut-HF, NI	9	132-5146	1	Spring-Extension
6	110-7191	2	Washer-Thrust				

Control Handle Assembly No. 132-5158

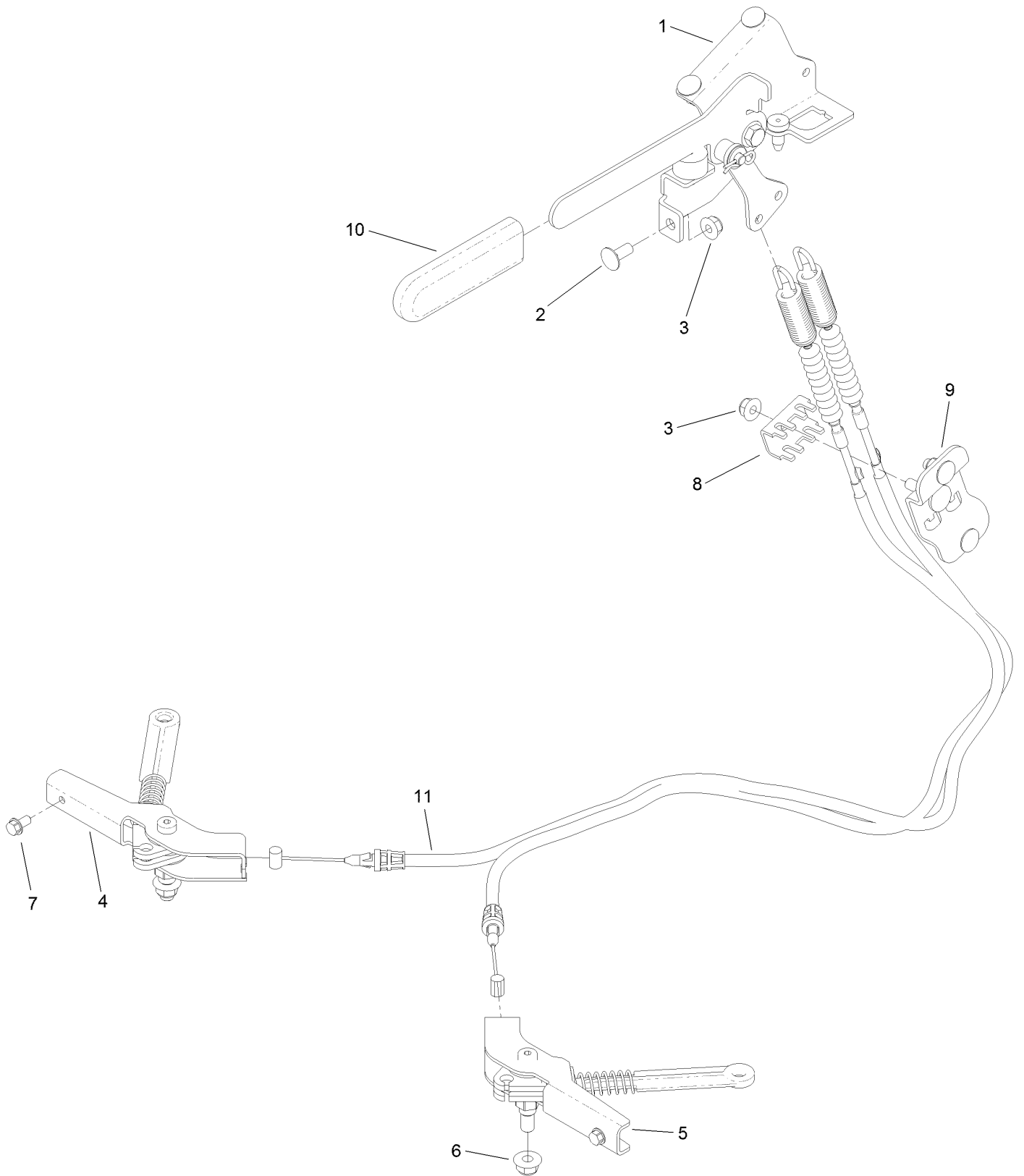


Control Handle Assembly No. 132-5158 (continued)

<i>Ref.</i>	<i>Part Number</i>	<i>Qty.</i>	<i>Description</i>
3	104-8301	1	Nut-HF, NI
4	323-10	1	Screw-HH
5	110-7191	2	Washer-Thrust
6	116-2670	1	Screw-Shoulder

<i>Ref.</i>	<i>Part Number</i>	<i>Qty.</i>	<i>Description</i>
7	104-8300	1	Nut-HF, NI
8	131-3562	1	Bearing-Sleeve
9	132-5146	1	Spring-Extension

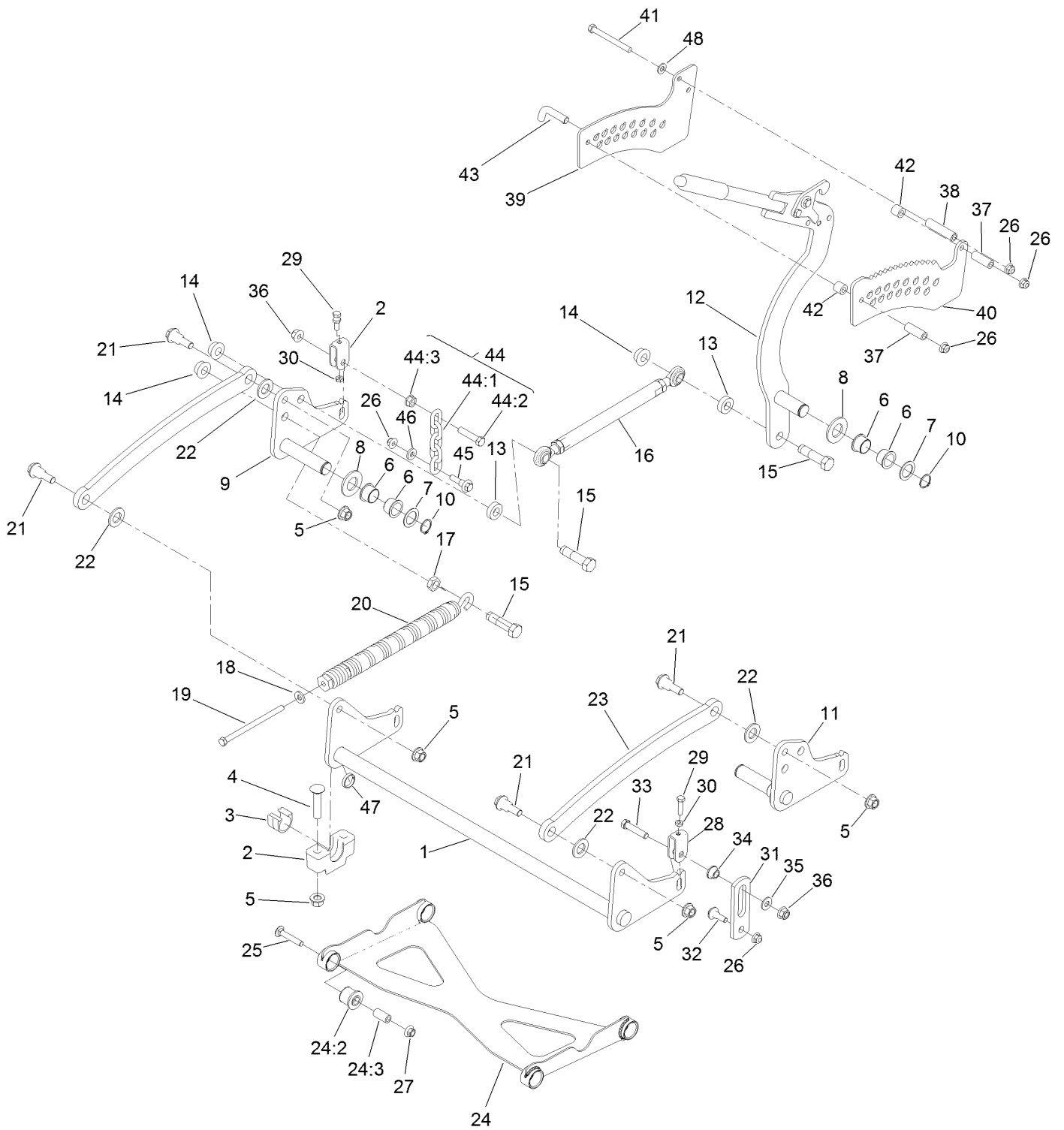
Parking Brake Assembly



Parking Brake Assembly (continued)

<i>Ref.</i>	<i>Part Number</i>	<i>Qty.</i>	<i>Description</i>	<i>Ref.</i>	<i>Part Number</i>	<i>Qty.</i>	<i>Description</i>
1	132-5170	1	Brake Handle ASM	7	32144-4	2	Screw-HWH
2	3230-23	5	Bolt-CARR	8	132-1187	1	Clamp-Cable
3	104-8300	6	Nut-HF, NI	9	132-7582	1	Mount-Cable, Brake
4	132-5168	1	RH Brake Caliper ASM	10	1-633268	1	Grip-Lever
5	132-5169	1	LH Brake Caliper ASM	11	131-1195	2	Cable-Brake
6	104-8301	2	Nut-HF, NI				

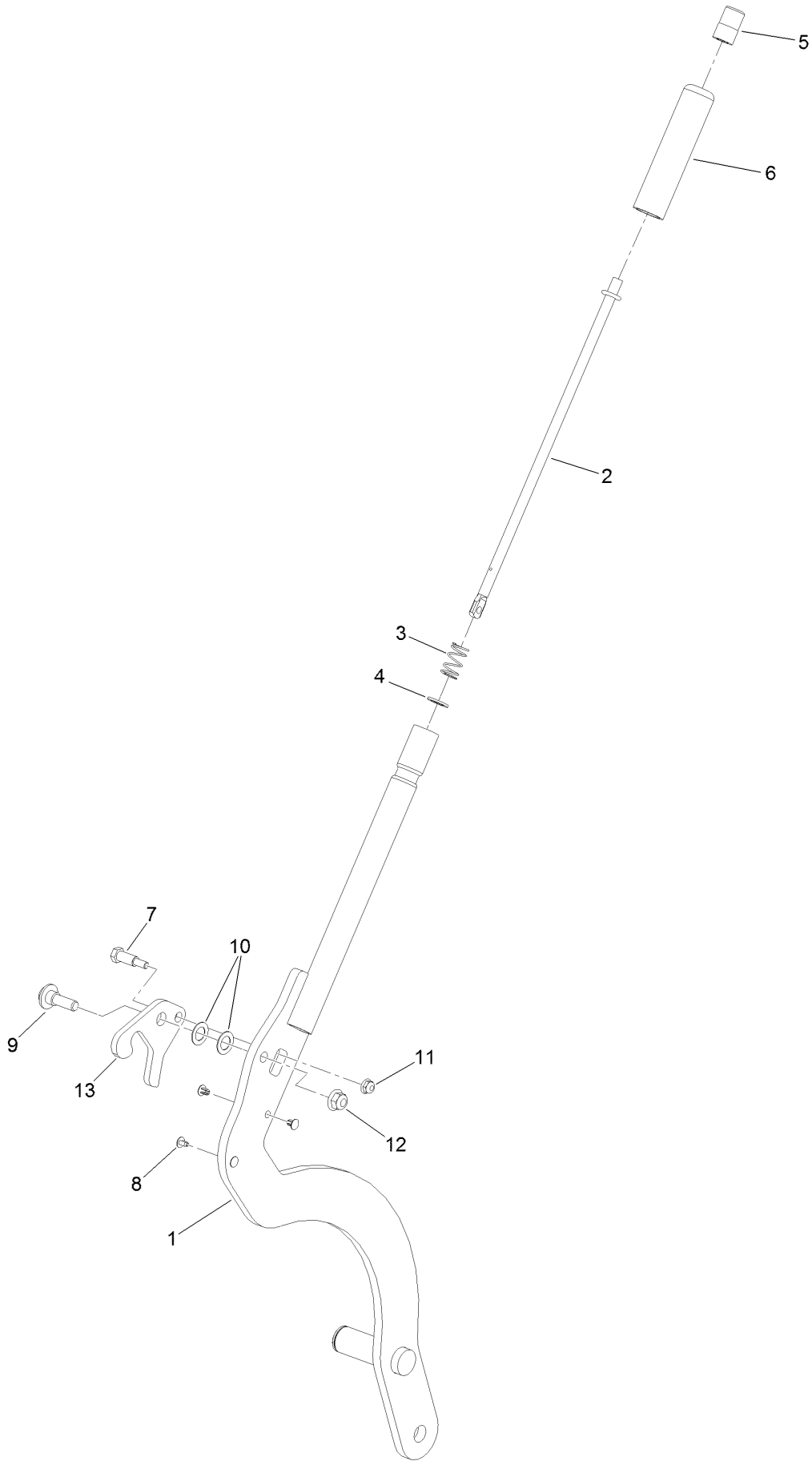
Deck Lift Assembly



Deck Lift Assembly (continued)

<i>Ref.</i>	<i>Part Number</i>	<i>Qty.</i>	<i>Description</i>	<i>Ref.</i>	<i>Part Number</i>	<i>Qty.</i>	<i>Description</i>
1	120-8405-01	1	Shaft-Cross, Front	25	3231-7	4	Screw-CARR
2	109-9409	2	Support-Bearing, Cross Shaft (Front)	26	104-8301	7	Nut-HF, NI
3	109-9410	2	Bearing-Cross Shaft, Front	27	32128-19	4	Nut-HF Lock, Large Flg
4	116-1700	4	Bolt-CARR	28	109-9066	4	Yoke-Adjust, Deck
5	99-5107	8	Nut-Lock	29	322-47	4	Screw-HH
6	127-0369	6	Bushing	30	3218-2	8	Nut-Jam
7	10-8110	3	Washer-Thrust	31	130-6589	2	Link-Lift
8	3256-62	3	Washer-Flat	32	109-9840	2	Screw-Shoulder, HHF
9	120-8411-01	1	Arm-Lift, RH	33	109-9065	2	Screw-HH
10	32151-29	3	Ring-Retaining	34	116-2428	2	Bushing-Flanged
11	120-8410-01	1	Arm-Lift, LH	35	3256-4	2	Washer-Flat
12	130-1755	1	HOC Lever ASM	36	114-8417	4	Nut-HF, NI
13	119-6223	2	Washer	37	95-6448	2	Spacer
14	138-4932	3	Nut-Hex Flg	38	138-1111	1	Spacer
15	138-4931	3	Screw-Lock	39	132-7581	1	HOC Plate And Decal ASM
16	130-6615	1	HOC Link ASM	40	138-4887	1	Plate-HOC, Inner
17	3218-6	1	Nut-Jam	41	323-42	3	Screw-HH
18	98-5975	1	Washer-Belleville	42	121-1760	2	Spacer
19	323-58	1	Bolt-TAP, HH	43	116-5584	1	Pin-HOC
20	116-0886	1	Spring-Extension	44	116-0756	2	Deck Lift Chain ASM
21	116-0780	4	Screw-Shoulder, HHF	44:1	1-633447	1	Chain-Lift, Deck
22	3256-28	4	Washer-Flat	44:2	109-9065	1	Screw-HH
23	127-1948-03	2	Link-Lift	44:3	32128-37	1	Nut-HF
24	137-4129	1	Deck Strut ASM	45	130-0742	2	Bolt-Shoulder
24:2	137-4108	4	Bushing-Rubber	46	43-0940	2	Spacer
24:3	108-6544	4	Spacer	47	133-1431	1	Spacer-Split
				48	3256-24	3	Washer-Flat

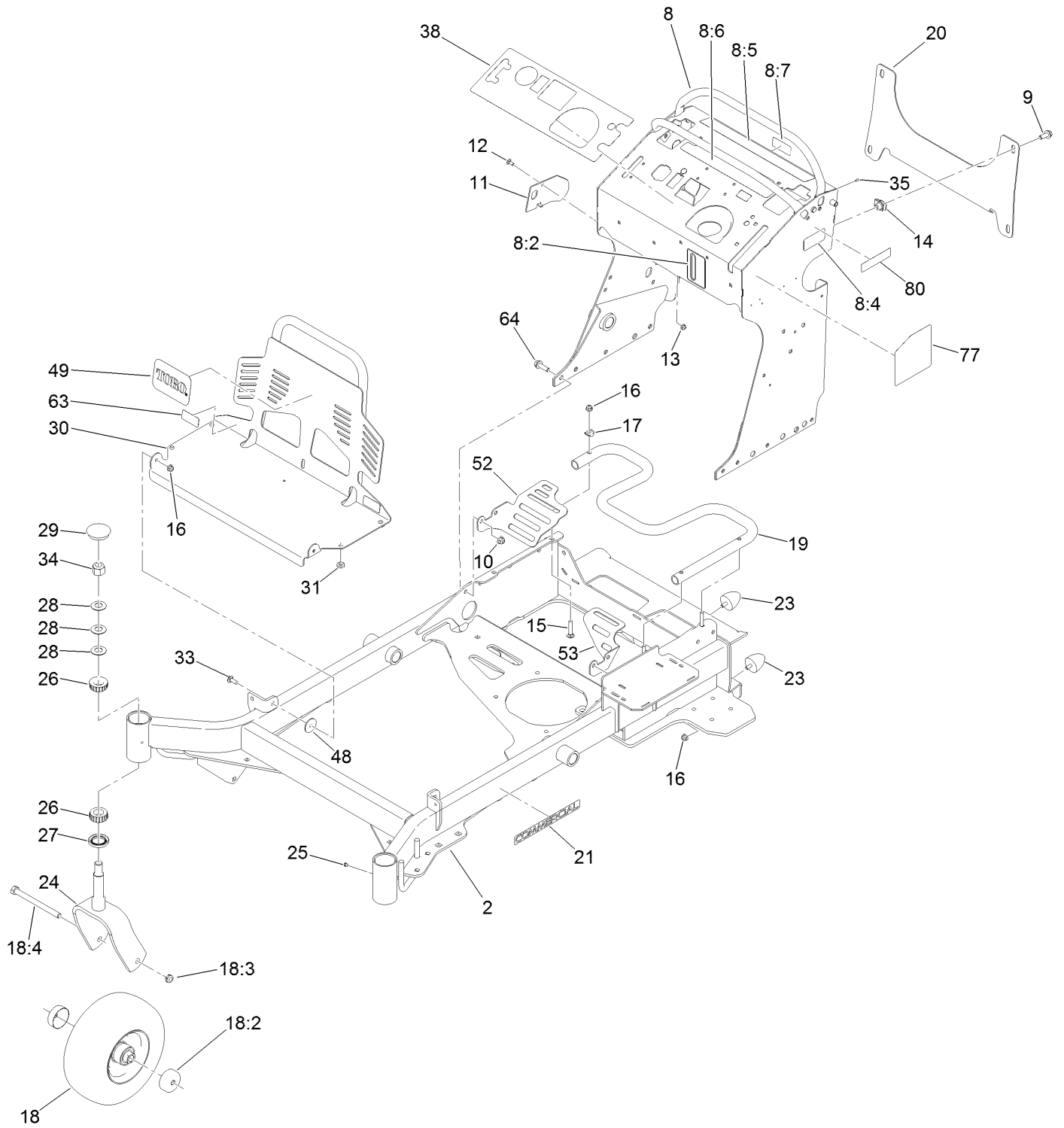
HOC Lever Assembly No. 130-1755



HOC Lever Assembly No. 130-1755 (continued)

<i>Ref.</i>	<i>Part Number</i>	<i>Qty.</i>	<i>Description</i>	<i>Ref.</i>	<i>Part Number</i>	<i>Qty.</i>	<i>Description</i>
1	130-1775-01	1	Lever-Lift	8	103-1363	4	Rivet
2	136-0530	1	Rod-Latch, Release	9	614672	1	Screw-Shoulder, HWH
3	114-8187	1	Spring-Compression	10	98-1629	2	Washer
4	114-1207	1	Washer-Special	11	104-7201	1	Nut-HF
5	115-2750	1	Knob	12	104-8301	1	Nut-HF, NI
6	115-3592	1	Grip	13	138-4888	1	Latch-HOC
7	119-2309	1	Bolt-Shoulder				

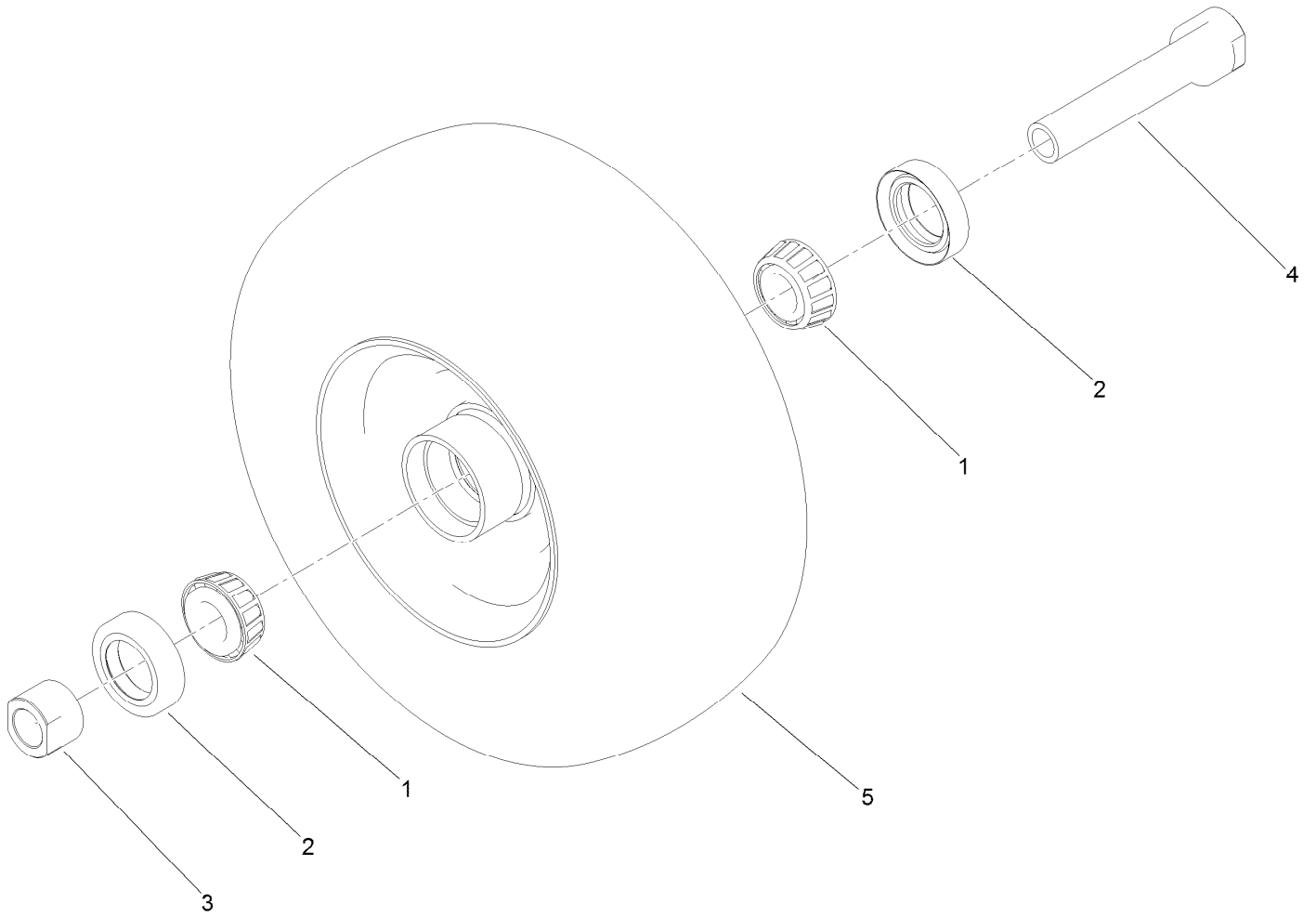
Frame Assembly



Frame Assembly (continued)

<i>Ref.</i>	<i>Part Number</i>	<i>Qty.</i>	<i>Description</i>	<i>Ref.</i>	<i>Part Number</i>	<i>Qty.</i>	<i>Description</i>
2	131-7423-01	1	Frame	21	117-3591	2	Decal-Commercial
8	140-4283	1	Tower Decal ASM	23	114-1926	4	Bumper-Rubber
8:2	131-3524	1	Decal-Level, Oil	24	121-7988-01	2	Fork-Caster
8:4	116-8775	1	Decal-Fill, Fuel	25	1-811010	2	Plug
8:5	139-2878	1	Decal-Warning	26	1-543509	4	Bearing-Roller, Tapered
8:6	131-3526	1	Decal-Controls	27	116-5647	2	Seal-Grease
8:7	131-3528	1	Decal-Fuse	28	1-633508	6	Washer-Bellville
9	3234-42	4	Screw-HHF	29	103-4882	2	Cap-Grease
10	104-8301	8	Nut-HF, NI	30	132-5150-03	1	Guard-Engine
11	131-7455	1	Plate-Striker	31	1-513658	4	Bumper
12	3229-11	1	Screw-CARR	33	3230-10	2	Bolt-CARR
13	104-7201	1	Nut-HF	34	3296-51	2	Nut-Lock, NI
14	105-4886	4	Nut-Tinnerman	35	3290-271	2	Rivet-Pop
15	3230-5	3	Bolt-CARR	38	140-4259	1	Decal-Panel, Control
16	104-8300	9	Nut-HF, NI	48	107-3002	2	Washer-Nylon
17	107-3844	3	Washer	49	105-8278	1	Decal
18	140-1890	2	Wheel, Tire And Bearing ASM	52	132-7578-01	1	Guard-Fan, RH
18:2	103-2768	2	Guard-Seal	53	132-7598-01	1	Guard-Fan, LH
18:3	3296-45	1	Nut-Hex	63	133-4641	2	Decal-Warning, No Riders
18:4	325-20	1	Screw-HH	64	119-4061	8	Screw-HHF
19	132-5161-01	1	Tube-Mount, Fuel Tank	77	131-3529	1	Decal-Service Aid
20	132-1145-03	1	Bracket-Cross	80	133-8062	1	Decal-Arrestor, Spark

Wheel and Bearing Assembly

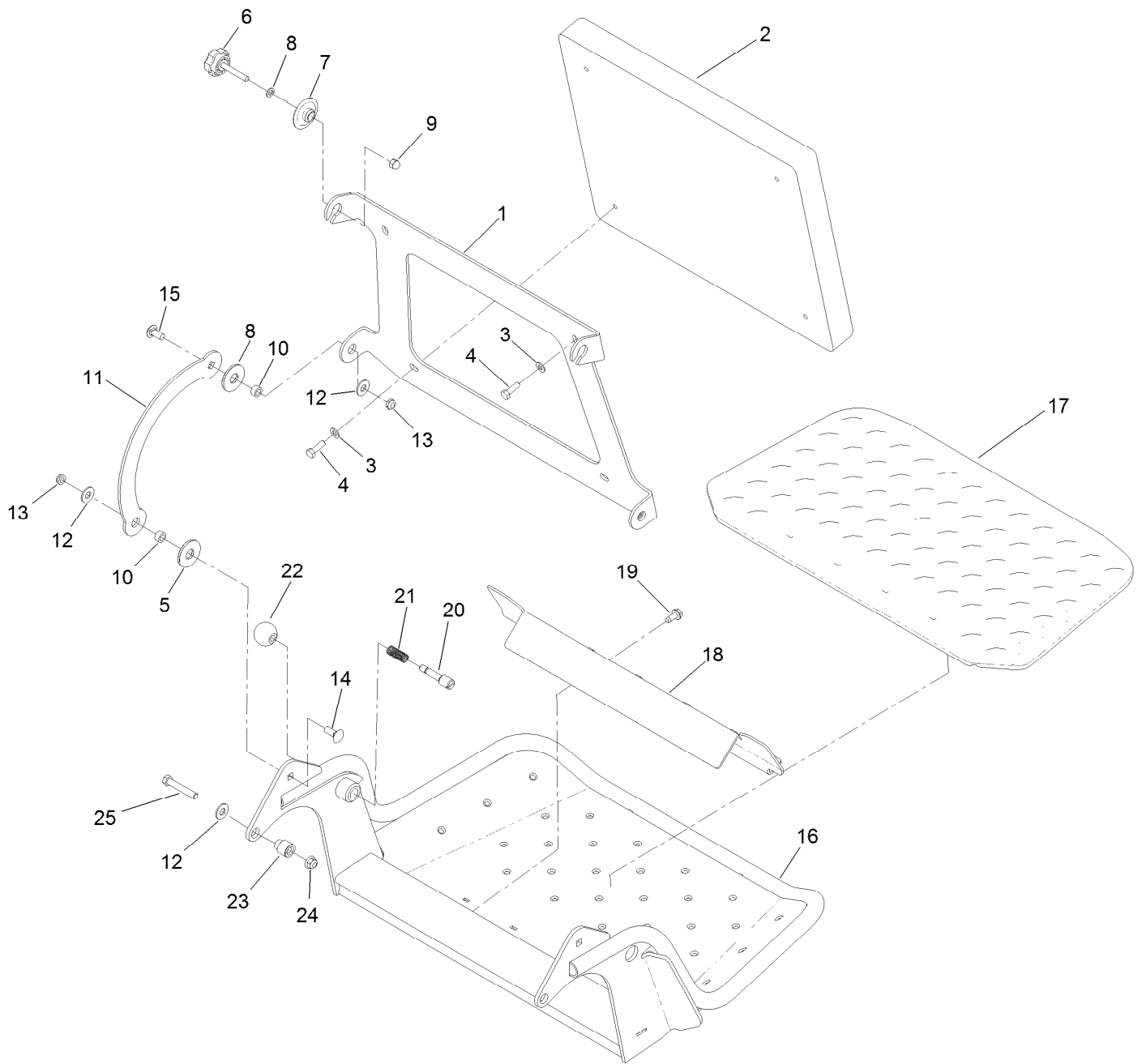


Wheel and Bearing Assembly (continued)

<i>Ref.</i>	<i>Part Number</i>	<i>Qty.</i>	<i>Description</i>
1	1-633585	2	Bearing-Cone, Taper
2	103-0063	2	Seal-Caster
3	103-3051	1	Spacer-Nut

<i>Ref.</i>	<i>Part Number</i>	<i>Qty.</i>	<i>Description</i>
4	126-5359	1	Caster Axle ASM
5	140-1892	1	Wheel And Tire ASM

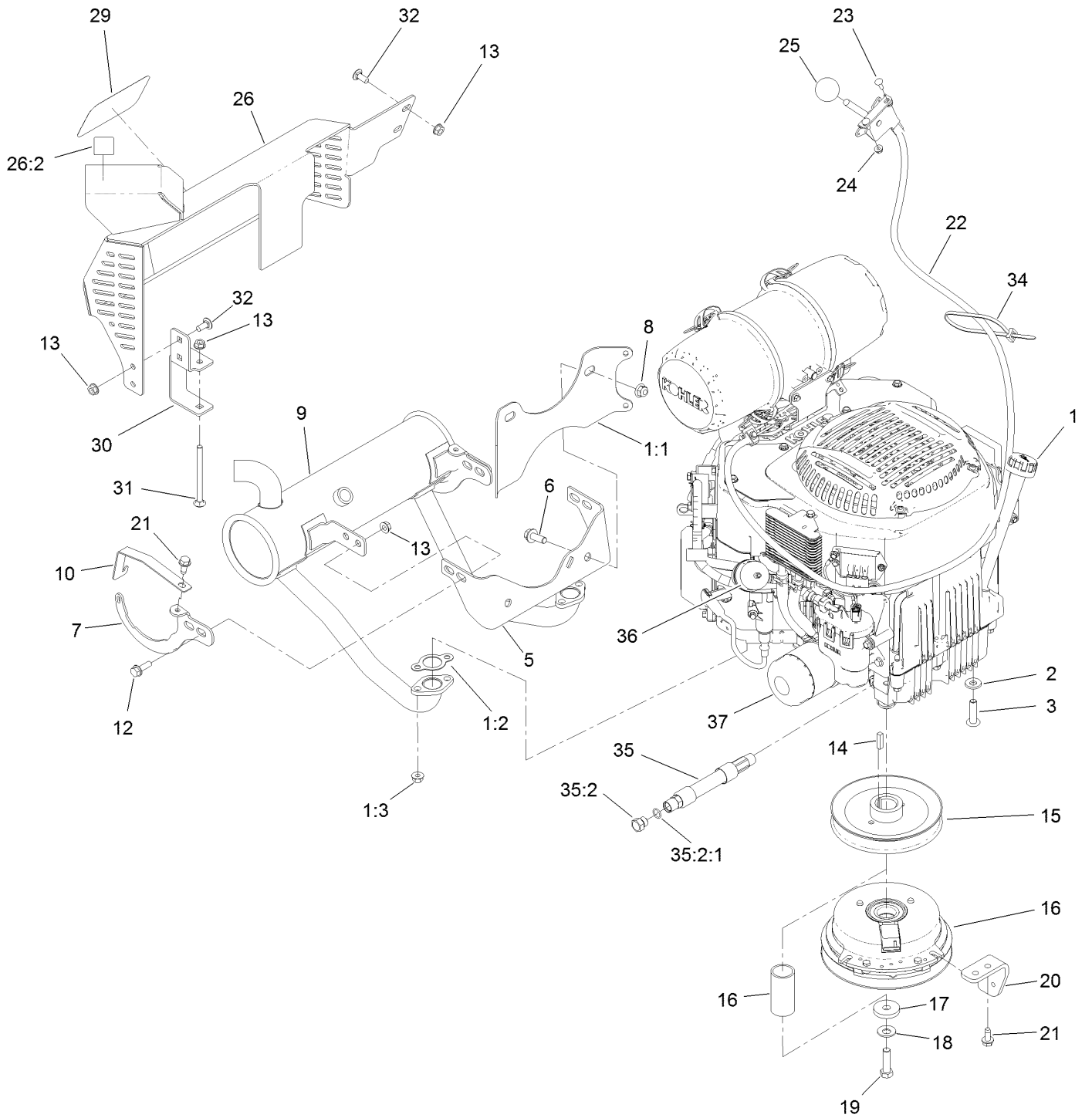
Platform Assembly



Platform Assembly (continued)

<i>Ref.</i>	<i>Part Number</i>	<i>Qty.</i>	<i>Description</i>	<i>Ref.</i>	<i>Part Number</i>	<i>Qty.</i>	<i>Description</i>
1	120-8499-03	1	Hinge-Pad	14	3231-2	2	Bolt-CARR
2	117-9739	1	Pad-Cushion	15	3231-27	2	Screw-CARR
3	3256-23	4	Washer-Plain	16	120-8475-01	1	Platform
4	121-7999	4	Screw-HH	17	126-7157	1	Mat-Platform
5	114-0463	4	Washer-Friction, Composite	18	3345-771	1	Shield Clamp Kit
6	133-1426	2	Knob	19	32144-70	2	Screw-HWHTF
7	116-2886	2	Slide-Bushing	20	119-8650	1	Pin-Latch
8	3253-4	2	Washer-Lock	21	114-5348	1	Spring
9	131-4535	2	Nut-Acorn	22	1-603175	1	Knob-Ball
10	111044	4	Spacer	23	132-7583	2	Bushing-Flanged
11	114-1915-01	2	Link-Pad	24	104-8301	2	Nut-HF, NI
12	3256-4	6	Washer-Flat	25	323-45	2	Screw-HH
13	3296-59	4	Nut-Lock, NI				

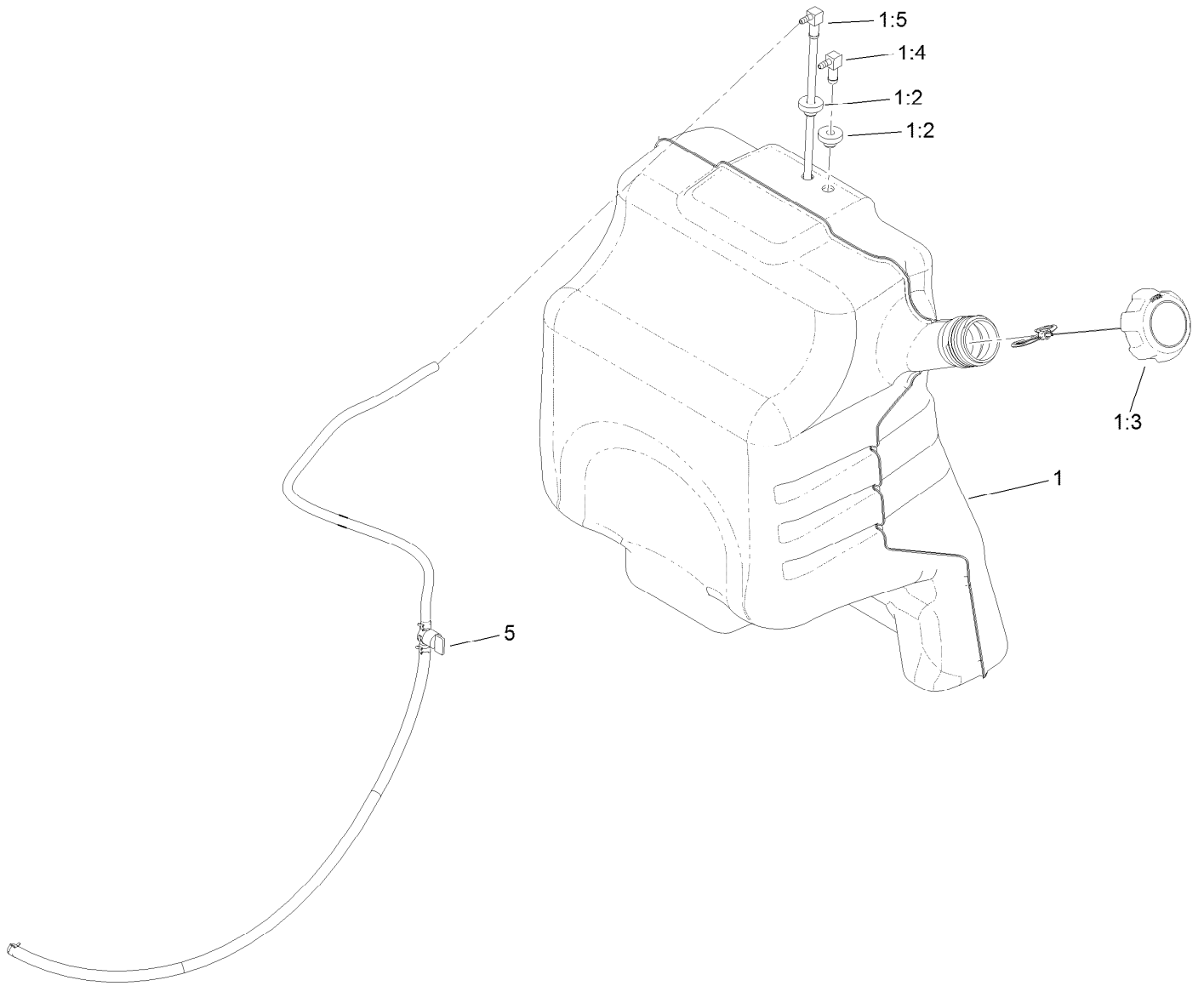
Engine Assembly



Engine Assembly (continued)

<i>Ref.</i>	<i>Part Number</i>	<i>Qty.</i>	<i>Description</i>	<i>Ref.</i>	<i>Part Number</i>	<i>Qty.</i>	<i>Description</i>
1	130-6637	1	Engine-Kohler, Evc730	19	3212-6	1	Screw-HH
1:1	131-7400	1	Bracket-Muffler	20	131-3586-03	1	Stop-Clutch
1:2	110-6697	2	Gasket-Exhaust	21	32144-70	4	Screw-HWHTF
1:3	68-9400	4	Nut-Flange	22	132-5152	1	Throttle ASM
2	98-5975	4	Washer-Belleville	23	1-807533	2	Bolt-CARR
3	126-0983	4	Screw-BHTF	24	32128-17	2	Nut-Lock, Flange
5	132-1168	1	Bracket-Muffler	25	1-603175	1	Knob-Ball
6	3234-42	2	Screw-HHF	26	131-3550	1	Muffler Guard ASM
7	133-4613	2	Support-Muffler	26:2	106-5517	1	Decal-Warning
8	104-8301	2	Nut-HF, NI	29	94-2579	1	Decal
9	133-4634	1	Muffler-Kohler	30	131-3530-03	1	Bracket-Mounting, Guard
10	133-4639	2	Bracket-Muffler, Koh	31	106-9758	1	Screw-CARR
12	3234-17	4	Screw-HHF	32	3230-23	4	Bolt-CARR
13	32128-25	9	Nut-HF	34	3290-378	1	Tie-Cable
14	1-807259	1	Key	35	133-4657	1	Hose ASM
15	120-8498	1	Pulley	35:2	353-508	1	Plug-HH
16	139-7910	1	Clutch-200Cms	35:2:1	237-42	1	O-Ring
17	107-4136	1	Washer	36	94-9695	1	Filter-Fuel
18	1-603610	1	Washer-Spring	37	98020	1	Filter-Oil

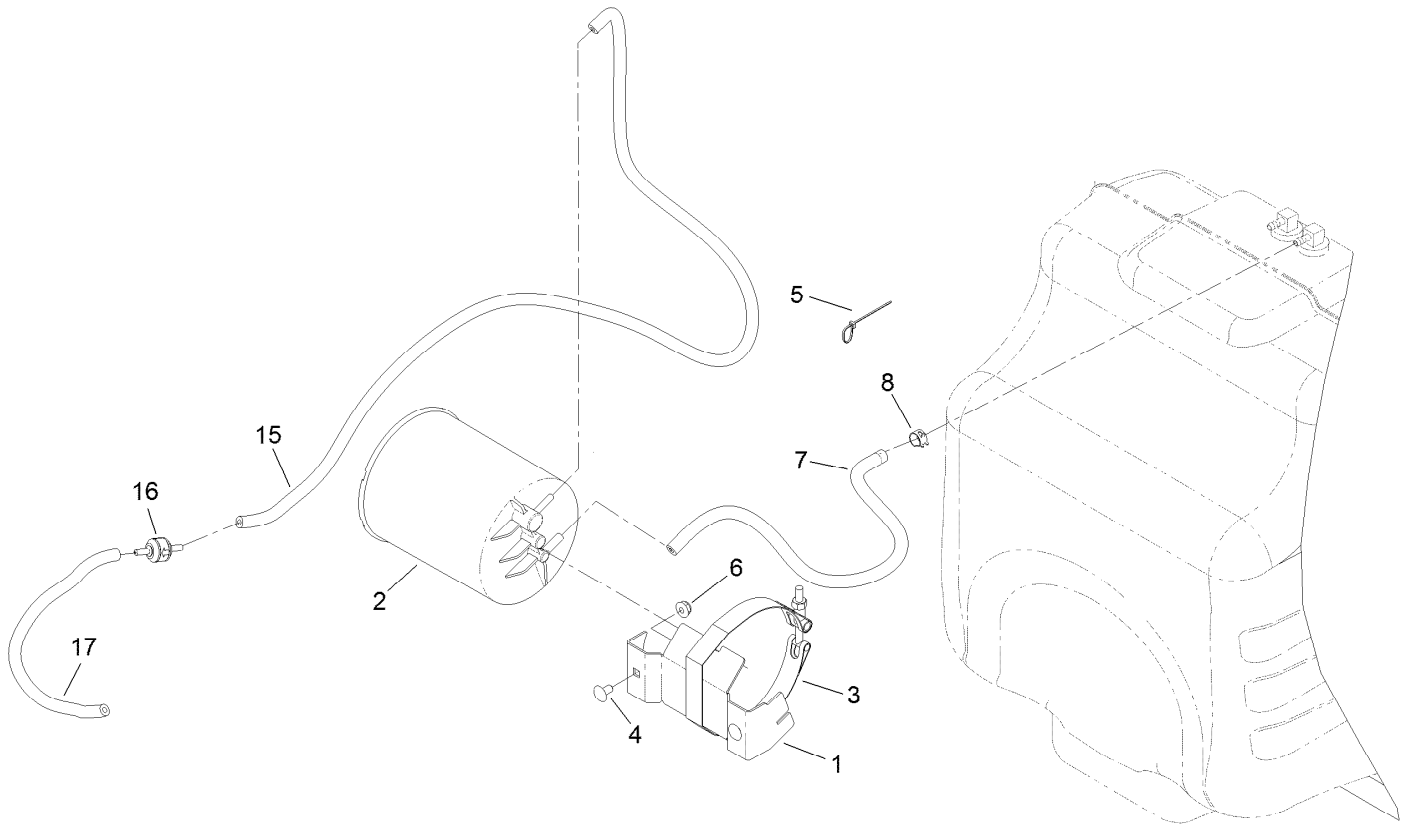
Fuel Tank Assembly



Fuel Tank Assembly (continued)

<i>Ref.</i>	<i>Part Number</i>	<i>Qty.</i>	<i>Description</i>	<i>Ref.</i>	<i>Part Number</i>	<i>Qty.</i>	<i>Description</i>
1	132-7560	1	Fuel Tank ASM	1:4	104-5228	1	Fitting-Elbow, 90 DEG
1:2	46-6560	2	Bushing	1:5	132-7559	1	Fuel Tube ASM
1:3	137-4127	1	Cap-Fuel	5	132-7545	1	Fuel Line ASM

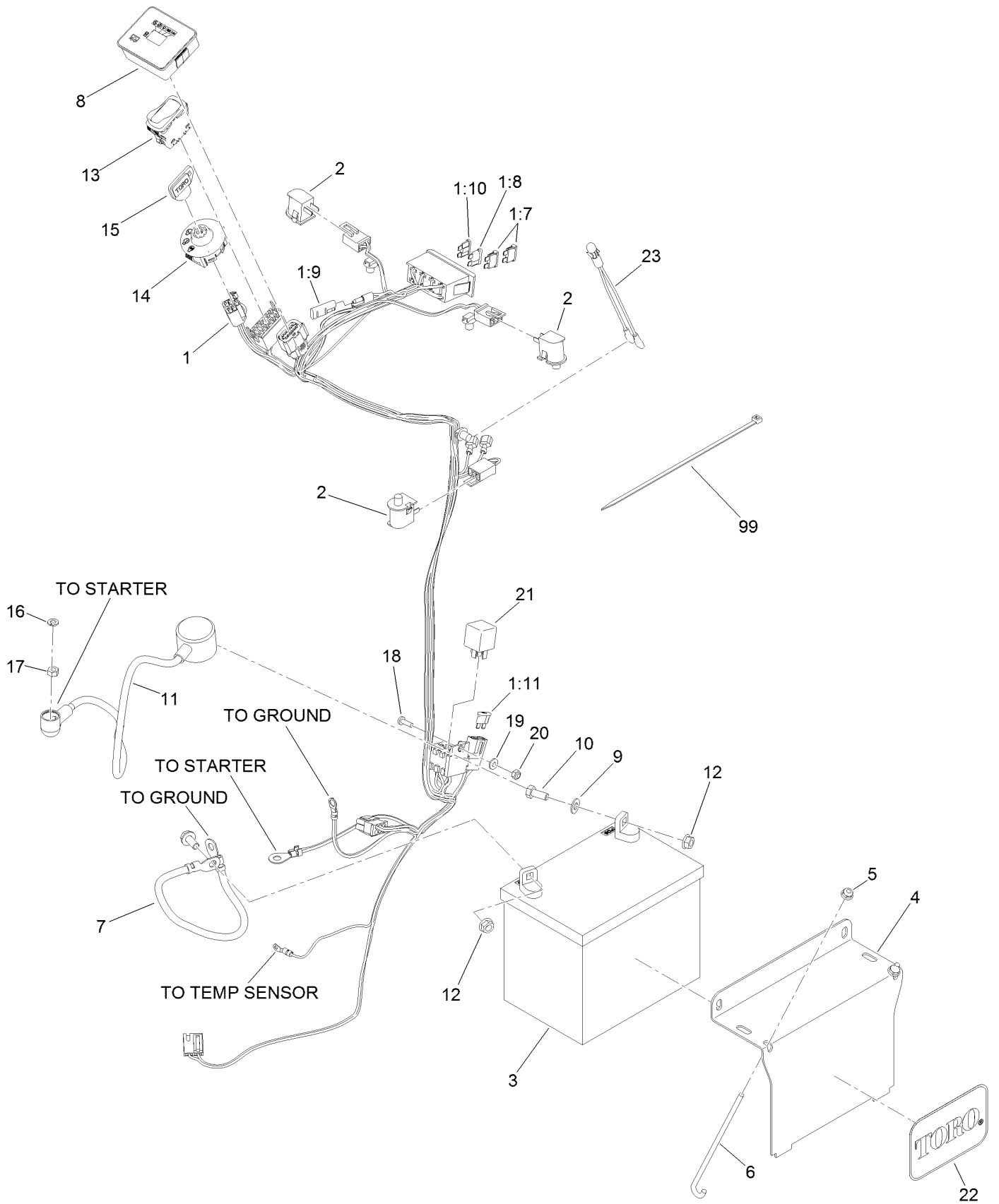
Carbon Canister Assembly



Carbon Canister Assembly (continued)

<i>Ref.</i>	<i>Part Number</i>	<i>Qty.</i>	<i>Description</i>	<i>Ref.</i>	<i>Part Number</i>	<i>Qty.</i>	<i>Description</i>
1	126-2582	1	Bracket-Canister	7	110-8751	1	Hose-Fuel
2	116-1442	1	Canister-Carbon, 1200Cc	8	2412-98	1	Clamp-Hose
3	116-2228	1	Clamp, T-Bolt	15	116-4346	1	Hose-Emissions
4	116-5611	2	Bolt-CARR	16	133-8499	1	Valve-Check, Vacuum
5	3290-378	2	Tie-Cable	17	119-4235	1	Hose-Vent, Formed
6	104-7201	2	Nut-HF				

Electrical Assembly



Electrical Assembly (continued)

<i>Ref.</i>	<i>Part Number</i>	<i>Qty.</i>	<i>Description</i>	<i>Ref.</i>	<i>Part Number</i>	<i>Qty.</i>	<i>Description</i>
1	138-8899	1	Harness-Wire, Grandstand	11	115-3864	1	Cable-Battery, Positive
1:7	109355	2	Fuse-Blade, 15 Amp	12	109-5715	2	Nut-HHF, Smooth
1:8	218-578	1	Fuse-Blade, 10 Amp	13	139-6367	1	Switch-Rocker, (On)-On-Off
1:9	116-0053	1	Cap-Plug	14	137-4101	1	Switch-Ignition
1:10	114241	1	Fuse-Blade, 7.5 Amp	15	63-8360	1	Key-Ignition
1:11	109101	1	Fuse-Blade, 20 Amp	16	3253-3	1	Washer-Lock
2	82-2190	3	Switch-Bail	17	3217-5	1	Nut-Hex
3	104-8162	1	Battery	18	3290-500	1	Screw-PPH
4	130-6635-01	1	Bracket-Hold Down, Battery	19	3256-14	1	Washer-Flat
5	104-7201	2	Nut-HF	20	3296-2	1	Nut-Lock, NI
6	1-633651	2	Bolt-Holddown	21	1-643275	1	Relay
7	112-7063	1	Cable-Battery, Black	22	67-1300	1	Decal
8	130-6570	1	Module-Meter, Hour	23	1-643267	1	Indicator-LED, Red
9	3256-23	2	Washer-Plain	99	3290-378	4	Tie-Cable
10	322-3	2	Screw-HH				

Attachments and Accessories

For 72518 GrandStand Mower With 48in TURBO FORCE Cutting Unit

Product Name	Model/Part
Starter Fuse Kit, GrandStand Mower	139-5555
E-Z Vac Bagger	78570
48in Ez Vac Blower Drive K	78574
Speed Setting Tool.....	132-7595
Light Kit.....	133-1437
Electric Accessory Port.....	133-1438
Hydraulic Cap Lock Kit.....	136-5420
Recycler Kit	139-6650
Twin Bagger Kit.....	78524
Trash Bag Assembly	133-1435
HOC Set Blocks.....	133-1439
Strobe Light Kit	133-1495
Blower Drive 48In	78525
15-Pound Cast Weight.....	112-7059-01
Harness Wire Splitter	121-5988
Trimmer Rack	133-1441
5 Gallon Bucket	133-2533
Filter-Oil	98020
Spark Plug	130-8380
Stand-On Weight Kit	133-1428
Chute Gate Kit W/ Bag.....	133-1434
Bucket Mount Kit.....	136-5681
Pneumatic Castor Wheel Kit	140-4311
Roller Striper Kit.....	133-1436
18x8.5n10 X-Tweel Turf.....	139-7890
Soft Bag (3 Bushel).....	30104
Air Cleaner Filter.....	100-4556
Filter Air Safety	103-1326
Bagging Enhancement Kit	108-4091
Bagger Enhancement Kit.....	139-1529
6in Hose Kit, E-Z Vac Twin Bagger, 2016 and After Grandstand Mower	139-7930
Blower Upgrade Kit, Twin Bagger, 2016 and After Grandstand Mower	139-7940
Fuel Filter.....	130-8381
6 Pack-Blade, 16.5 Low Flow	140-4889
Blade-16.50 Low Flow	140-4861
6 Pack-Blade, 16.5 Med Flow	140-4888
Blade-16.50 Medium Flow	140-4860
6 Pack-Blade, 16.5 High Flow.....	140-4887
Blade-16.50 High Flow	140-1243
6 Pack-Blade, 16.5 Recycler.....	140-4891
Blade-16.50 Recycler	140-4863
6 Pack-blade, 16.5 Atomic.....	140-4890
Blade-16.50 Atomic	140-4862
Anti-Scalp Kit, 48/52 Grandstand Deck.....	133-1440
Hypr-Oil 500 (quart)	114-4713
Hypr-Oil 500 (gallon).....	114-4714

Attachments and Accessories (continued)

Hypr-Oil 500-5 (5 gallon)..... 114-4715
Toro Premium Fuel Treatment 12 Oz Bottle 131-6572
Hydro Filter Kit..... 132-4743
Hydro Oil Change Kit 133-1457
10w30 4-Cycle Engine Oil (32oz Bottle)..... 38280
Toro 4-Cycle SAE 30 Oil (32oz Bottle) 38903
Spark Arrestor 98-9099



Count on it.