



Count on it.

Parts Catalog

**48in Chute Gate Kit
Z Master® 4000 Series Riding Mower**

Model No. 144-2688



Ordering Replacement Parts

To order replacement parts, please supply the part number, the quantity, and the description of each part desired.

Understanding Reference Numbers

Each identified part in an illustration has a reference number. The reference number for a part also appears in the parts list, along with other information about the part.

This catalog uses two special reference number formats, one to indicate parts in a service assembly and another to indicate the quantity of a given part in an illustration.

Service Assembly Reference Numbers

Parts in service assemblies have reference numbers in the form a:b. The a represents the reference number of the entire service assembly and the b represents a sequential number unique to each part within the service assembly.

For example, a wheel assembly might be identified by reference number 6, the tire by 6:1, the valve by 6:2, and the wheel by 6:3. When you order the assembly identified by reference number 6, you receive all parts identified by reference numbers 6:1, 6:2, and 6:3. However, you may also order any part individually. Reference numbers of this type appear in illustration and in parts lists.

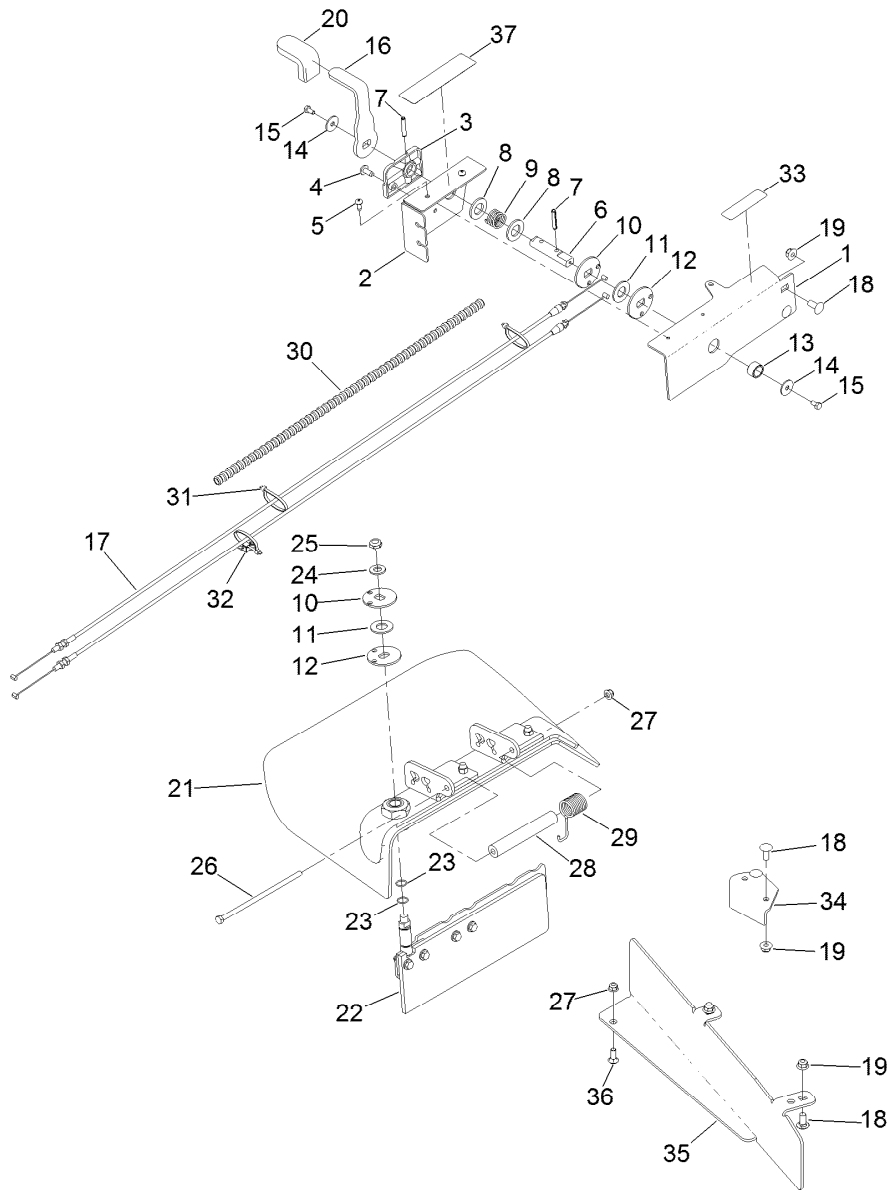
Reference Numbers Indicating Quantity

In an illustration, if a reference number indicates more than one part, the reference number has the form nX y. The n represents the quantity of the part, the X is the multiplication symbol, and the y represents the reference number.

For example, in an illustration, the reference number 2X 37 means that two of the parts identified by reference number 37 are indicated.

Contents

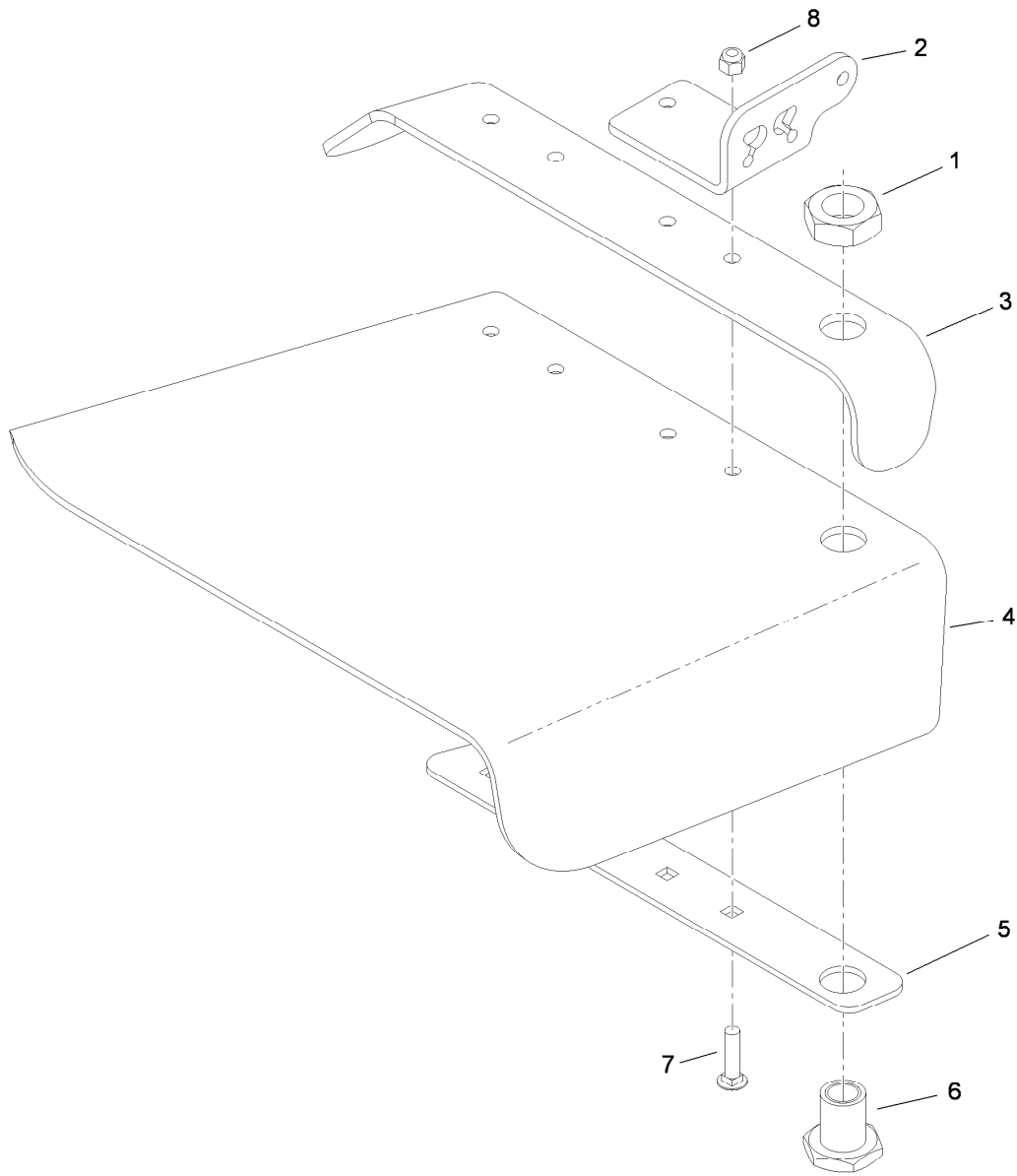
Gate Chute Kit No. 144-2688..... 4
Rubber Deflector Assembly No. 117-0469..... 5
Door Assembly No. 144-2693..... 6



Gate Chute Kit No. 144-2688

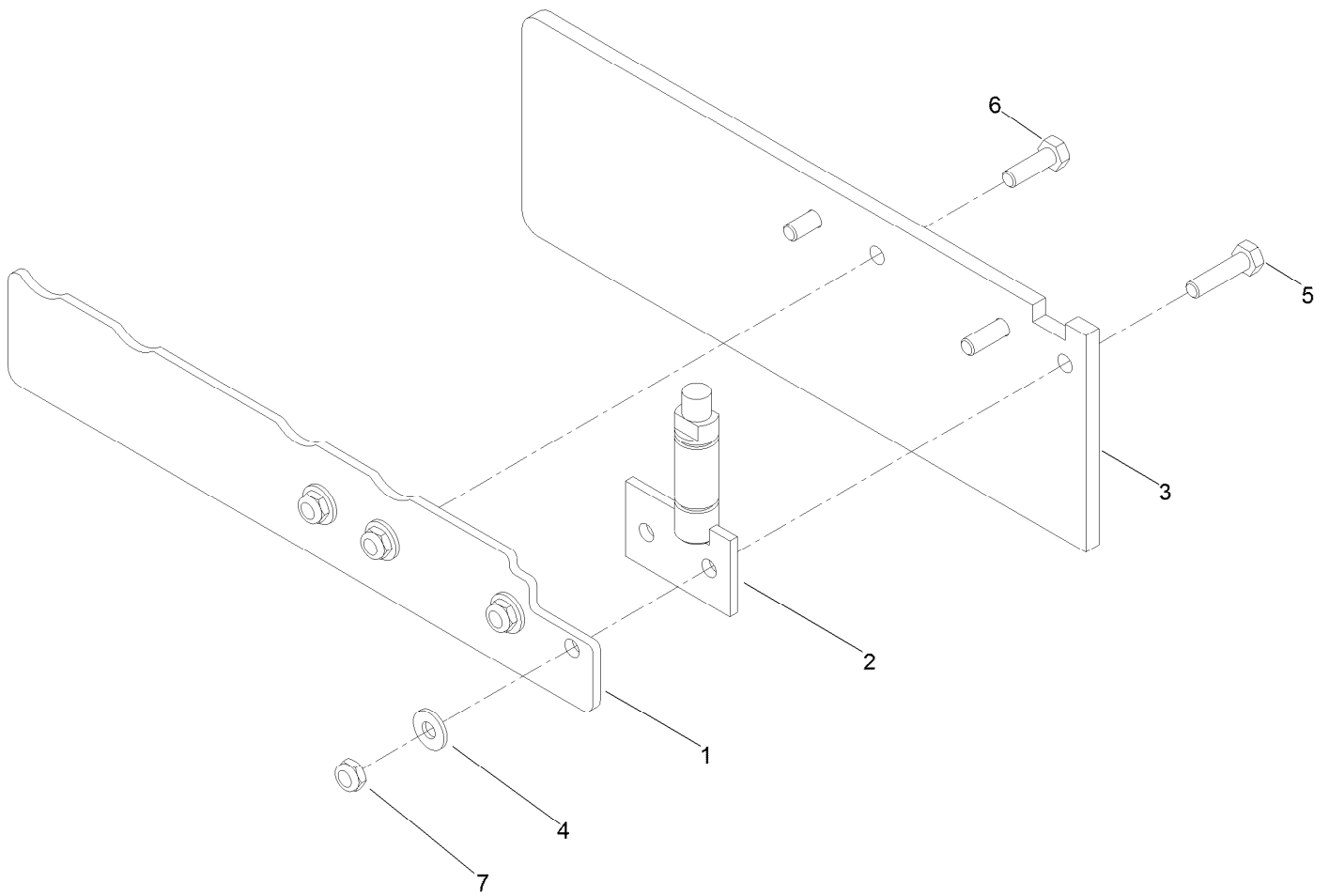
Ref.	Part Number	Qty.	Description
1	144-6555-01	1	Bracket-Mounting, Ocdc
2	144-6556-01	1	Bracket-Cover
3	108-2231	1	Block-Detent
4	138-9753	1	Screw
5	87-6620	2	Screw-Tph Thd Form
6	144-6557	1	Pin-Pivot
7	32121-15	2	Pin-Roll
8	3256-28	2	Washer-Flat
9	87-3660	1	Spring-Compression
10	108-7218	2	Pulley-Top
11	108-7217	2	Pulley-Middle
12	108-7216	2	Pulley-Bottom
13	144-6558	1	Bushing
14	3256-82	2	Washer-Flat
15	321-2	2	Screw-HH
16	144-6559	1	Handle-Pivot
17	108-7258	2	Cable
18	3231-27	6	Screw-CARR
19	104-8301	6	Nut-HF, NI

Ref.	Part Number	Qty.	Description
20	132-4749	1	Grip-Lever
21	117-0469	1	Rubber Deflector ASM
22	144-2693	1	ASM-Door
23	237-65	2	O-Ring
24	3256-26	1	Washer-Flat
25	3296-45	1	Nut-Hex
26	322-50	1	Screw-HH
27	104-8300	2	Nut-HF, NI
28	105-4622	1	Spacer
29	108-4052	1	Spring-Torsion
30	108-7247	1	Tube-Convolutd
31	3290-378	3	Tie-Cable
32	93-3922	1	Mount-Tie, Cable
33	99-8936	1	Decal-Control, Motion
34	144-2695-01	1	Baffle-Discharge
35	135-0152-01	1	Baffle-Bagger, 48 Inch
36	3230-16	1	Screw-CARR
37	144-6593	1	Decal-Chute Gate



Rubber Deflector Assembly No. 117-0469

<i>Ref.</i>	<i>Part Number</i>	<i>Qty.</i>	<i>Description</i>
1	67-5840	1	Nut-Jam
2	108-2241-01	2	Plate-Hinge
3	108-2245-01	1	Deflector
4	117-0470	1	Deflector-Chute, Rubber
5	108-2247-03	1	Strap-Discharge
6	108-7215	1	Hub ASM
7	3231-4	4	Screw-CARR
8	3296-39	4	Nut-Lock, NI



Door Assembly No. 144-2693

<i>Ref.</i>	<i>Part Number</i>	<i>Qty.</i>	<i>Description</i>
1	144-2694-01	1	Plate-Door
2	107-8505	1	Hinge-Gate
3	107-3197	1	Gate-Chute, Rubber
4	3256-2	8	Washer-Flat
5	322-6	2	Screw-HH
6	322-5	2	Screw-HH
7	3296-47	4	Nut-Lock, NI

Notes:



Count on it.