



Count on it.

Parts Catalog

LT-F3000

Heavy-Duty Triple Turf Flail Mower

Model No. 30659—Serial No. 408851976 and Up



Ordering Replacement Parts

To order replacement parts, please supply the part number, the quantity, and the description of each part desired.

Understanding Reference Numbers

Each identified part in an illustration has a reference number. The reference number for a part also appears in the parts list, along with other information about the part.

This catalog uses two special reference number formats, one to indicate parts in a service assembly and another to indicate the quantity of a given part in an illustration.

Service Assembly Reference Numbers

Parts in service assemblies have reference numbers in the form a:b. The a represents the reference number of the entire service assembly and the b represents a sequential number unique to each part within the service assembly.

For example, a wheel assembly might be identified by reference number 6, the tire by 6:1, the valve by 6:2, and the wheel by 6:3. When you order the assembly identified by reference number 6, you receive all parts identified by reference numbers 6:1, 6:2, and 6:3. However, you may also order any part individually. Reference numbers of this type appear in illustration and in parts lists.

Reference Numbers Indicating Quantity

In an illustration, if a reference number indicates more than one part, the reference number has the form nX y. The n represents the quantity of the part, the X is the multiplication symbol, and the y represents the reference number.

For example, in an illustration, the reference number 2X 37 means that two of the parts identified by reference number 37 are indicated.

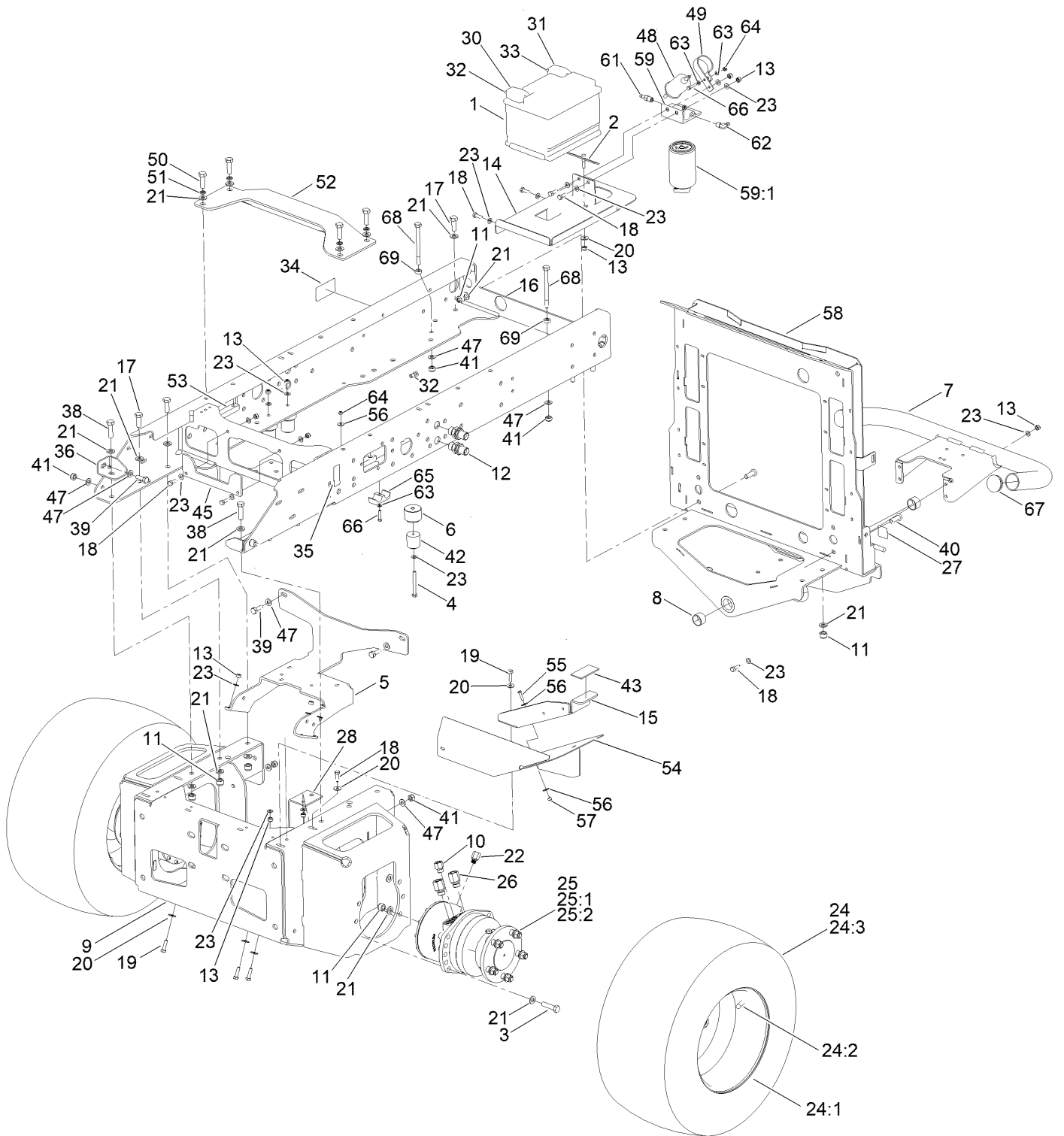
Contents

Chassis Assembly	6
Rear Axle Assembly.....	8
Front Arm Assembly	10
Center Arm Assembly	12
Engine and Muffler Assembly.....	14
Radiator and Oil Cooler Assembly.....	16
Seat Pan Assembly	18
Seat Assembly No. 134-0260	20
Steering Column Assembly No. 111-6756	22
Engine Cover Assembly	24
Subsystem Hydraulic Manifold Assembly.....	26
Valve Control Assembly.....	28
Loom Kit Assembly	30
Control Arm Assembly.....	32
Control Pedal Assembly	34
Cutter Component Assembly	36
Flail Cutterhead Assembly No. 111-9515.....	38
Center Head HOC Adjuster Assembly No. 111-9518.....	40
Front Head HOC Adjuster Assembly No. 111-9519	42
Fuel Tank and Storage Pod Assembly	44
Roll-Over Protection System Assembly	46
Hydraulic Oil Tank Assembly	48
Hydraulic Pump Assembly	50
Damper Kit Assembly No. 111-9548	52
Hydraulic Pump Assembly No. 111-8723.....	54
Hydraulic Cutter Hose Assembly	56
Hydraulic Transmission Hose Assembly.....	58
Lift Hydraulic Hose Routing Assembly	60
Filter Assembly	62
Hydraulic Manifold Assembly	64
Cutter Manifold Assembly.....	66
Lift Manifold Assembly.....	68
Lift Control Manifold Assembly No. 111-8419	70
Crankcase Assembly	72
Oil Pan Assembly.....	73
Cylinder Head Assembly.....	74
Gear Case Assembly	75
Cylinder Head Cover Assembly	76
Dipstick and Guide Assembly.....	77
Main Bearing Case Assembly	78
Cam Shaft and Idle Gear Shaft Assembly	79
Piston and Crankshaft Assembly.....	80
Flywheel Assembly	81
Fuel Camshaft and Governor Shaft Assembly.....	82
Idle Apparatus Assembly	83
Injection Pump Assembly	84
Speed Control Plate Assembly.....	85
Nozzle Holder and Glow Plug Assembly	86
Nozzle Holder Component Assembly	87
Governor Assembly	88
Alternator and Pulley Assembly	89
Alternator Components Assembly.....	90
Starter Assembly	91
Water Flange and Thermostat Assembly	92

Contents (continued)

Water Pump Assembly	93
Overflow Bottle Assembly	94
Valve and Rocker Arm Assembly	95
Inlet and Exhaust Manifold Assembly	96
Turbo Charger Assembly	97
Oil Pipe (Turbo Charger) Assembly	98
Oil Cooler Assembly	99
Attachments and Accessories	100

Chassis Assembly

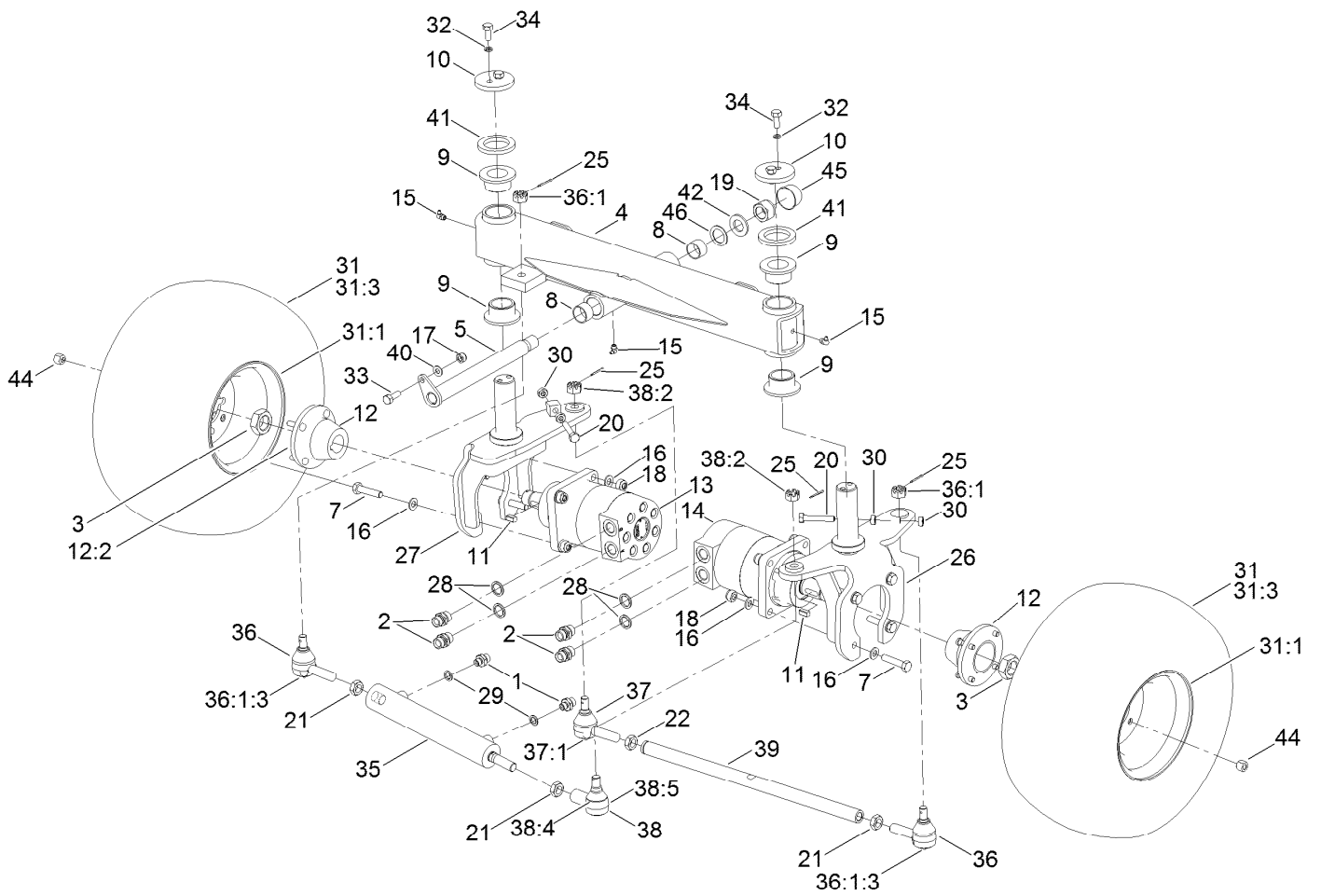


Chassis Assembly (continued)

<i>Ref.</i>	<i>Part Number</i>	<i>Qty.</i>	<i>Description</i>	<i>Ref.</i>	<i>Part Number</i>	<i>Qty.</i>	<i>Description</i>
1	70-09-015	1	Battery	34	950889	1	Decal-Warning
2	70-01-340	1	Retainer-Battery	35	111-3901	1	Decal-Transmission, Oil
3	09552	12	Screw-HH	36	111-7092-03	2	Bracket-Chassis, Universal
4	ZBH1H075U	4	Bolt	38	ZBH1L045U	2	Screw-HH
5	111-6791-03	1	Bracket-Manifold, Cutter	39	09392	4	Screw-HH
6	111-5305	4	Bump-Stop	40	09419	4	Screw-Soc, HD
7	134-2173-03	1	Bumper Bar ASM	41	ZNN1J000U	6	Nut-Hex, NI
8	65-07-051	2	Bushing	42	61-07-003	4	Buffer-Rubber
9	111-2105-03	1	Chassis-Front	43	HY910808	1	Strip-Neoprene
10	111-3509	2	Adaptor	45	111-5538-03	1	Location-Plate
11	ZNN1L000U	26	Nut-Nyloc	47	ZWQ1J000U	10	Washer-Plain
12	111-9109	2	Fitting-Straight	48	110-8806	1	Pump-Fuel
13	09441	22	Nut-Hex, NI	49	110-8817	1	Bracket-Pump, Fuel
14	111-9658-03	1	Mount-Battery	50	63-11-010	4	Bolt-HH
15	111-3217-03	1	Support-Platform, Front (LH)	51	09599	4	Washer-Lock
16	111-8020-03	1	Chassis-Centre	52	111-7065-03	1	Brace
17	ZDH1L035U	8	Screw-HH	53	111-7094	2	Brace-Chassis
18	03162	11	Screw-HH	54	111-7252-03	1	Deflector-Grass, Cutter (LH)
19	09369	6	Screw-HH	55	09364	2	Screw-HH
20	09267	8	Washer-Plain	56	09262	5	Washer
21	HY09485	52	Washer-Plain	57	09544	2	Nut-Nyloc
22	111-3538	2	Adaptor	58	111-8460-03	1	Chassis-Rear
23	09475	35	Washer	59	110-9044	1	Separator-Filter
24	111-6878	2	Wheel ASM	59:1	110-9049	1	Filter-Spin On, Fuel/Water
24:1	111-6879	1	Rim-Wheel	61	353-783	1	Fitting-STR
24:2	74-07-012	1	Tube-Inner	62	353-781	1	Fitting-HYD, 90
24:3	74-07-027	1	Tire	63	09472	3	Washer-Plain
25	134-3968	2	Motor-Wheel, Front	64	09438	2	Nut-Nyloc
25:1	111-7059	5	Stud-Wheel	65	56-7974	1	Clamp-Tube
25:2	74-07-016	5	Nut	66	09547	2	Screw-HH
25:99	134-3982	1	Kit-Seal ●	67	994856	2	Insert-Round
26	111-3529	4	Adaptor	68	ZBH1J125U	2	Bolt M10*125
27	70-13-072	1	Decal	69	09449	2	Nut
28	111-9126-03	1	Bracket-Valve, Mounting	99	110-6146	2	Hose-Fuel ●
30	70-09-171	1	Terminal-Positive	99	117-0298	1	Hose-Fuel ●
31	70-09-172	1	Terminal-Negative	99	2412-80	2	Clamp-Hose ●
32	111-3690	1	Cable-Battery, Positive	99	70-09-081	2	Tubing ●
33	70-09-170	1	Cable-Battery, Negative	99	92-2379	6	Clamp-Hose ●

● Not illustrated

Rear Axle Assembly

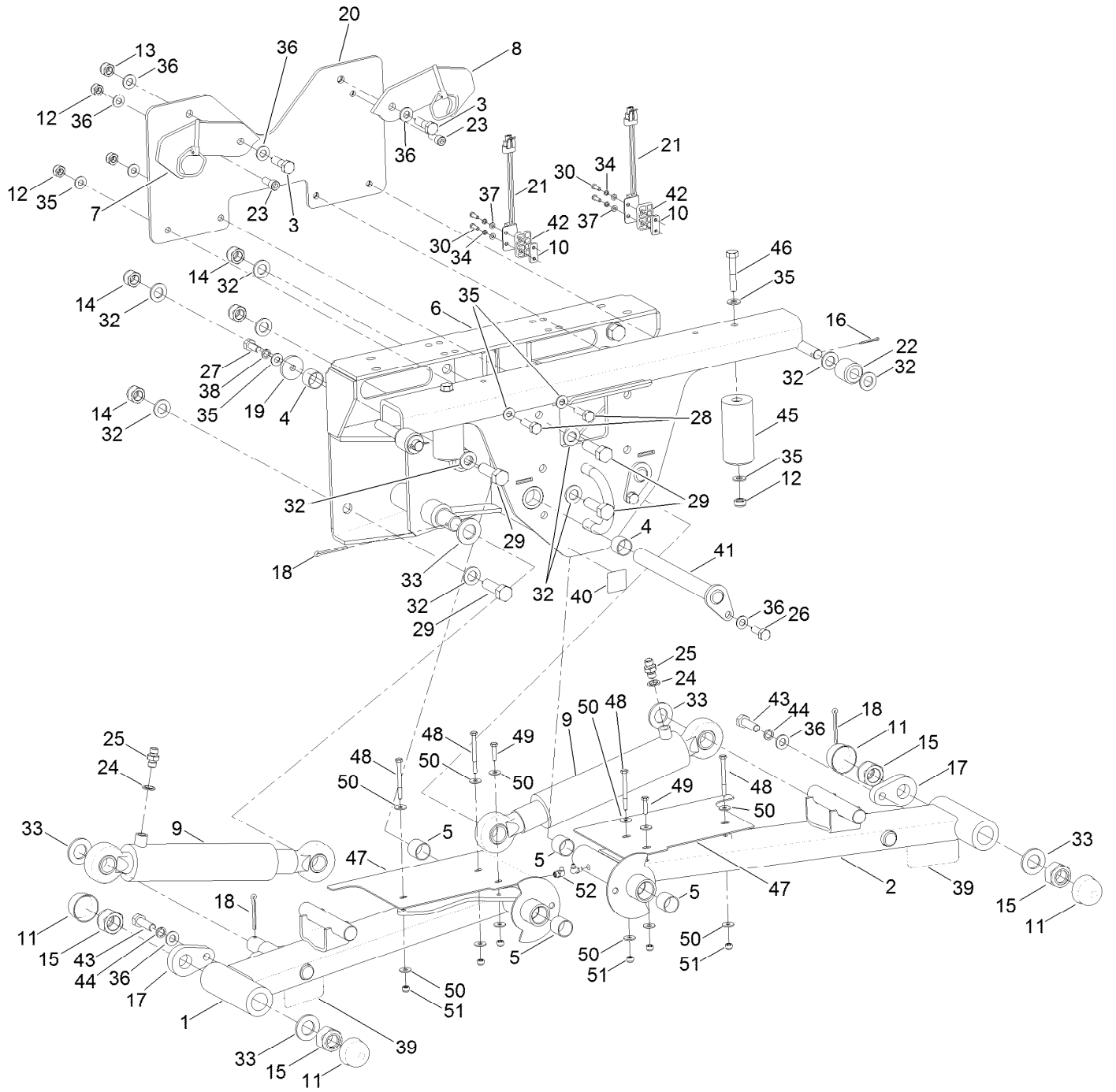


Rear Axle Assembly (continued)

<i>Ref.</i>	<i>Part Number</i>	<i>Qty.</i>	<i>Description</i>	<i>Ref.</i>	<i>Part Number</i>	<i>Qty.</i>	<i>Description</i>
1	50-06-009	2	Adaptor-BSP	31	111-6876	2	Wheel ASM
2	10-06-078	4	Adaptor-BSPP	31:1	111-6877	1	Rim-Wheel
3	107-9319	2	Nut-Hex	31:2	72-07-068	1	Tube-Inner ●
4	134-0295-03	1	Axle-Rear	31:3	924803	1	Tire
5	111-3265	1	Pin-Axle	32	09480	4	Washer-Lock
7	ZBH1L055U	8	Bolt	33	09392	1	Screw-HH
8	70-05-031	2	Bushing	34	09395	4	Screw-HH
9	134-0253	4	Bushing-Flange	35	134-0292	1	Steering Cylinder ASM
10	70-01-197	2	Cap-Washer	35:99	111-9939	1	Seal Kit ●
11	117-5198	2	Key-Square	36	71-4740-03	2	RH Tie Rod End ASM
12	111-9238-03	2	Hub, Motor-Rear	36:1	71-4740	1	End-Rod, Tie (RH)
12:2	65-07-019	4	Stud-Wheel	36:1:1	105-7941	1	Nut-Hex, Slotted ●
13	111-8431	1	Motor-Wheel, Rear (LH)	36:1:2	105-7835	1	Seal ●
13:1	115-4061	1	Seal Kit ●	36:1:3	302-5	1	Fitting-Grease ●
14	111-8432	1	Motor-Wheel, Rear (RH)	37	2411-46-03	1	LH Tie Rod ASM
14:1	115-4061	1	Seal Kit ●	37:1	2411-46	1	End-Rod, Tie (LH)
15	63-07-027	3	Zerk-Grease, BSP (90 DEG)	37:1:1	302-5	1	Fitting-Grease ●
16	HY09485	16	Washer-Plain	37:1:2	105-7835	1	Seal ●
17	ZNN1J000U	1	Nut-Hex, NI	37:1:3	105-7941	1	Nut-Hex, Slotted ●
18	09650	8	Nut-Hex, Nyloc	38	107-2553	1	Rod End ASM
19	ZNN1X000U	1	Nut-Hex, Nyloc	38:2	32136-2	1	Nut-SHH
20	ZDH1J060U	2	Setscrew-HH	38:4	106-6896	1	Seal
21	84-5300	3	Nut-Jam	38:5	302-5	1	Fitting-Grease
22	110-5337	1	Nut-Jam	39	111-7924-03	1	Rod-Tie
25	70-11-005	4	Pin-Split	40	ZWQ1J000U	1	Washer-Plain
26	134-2305-03	1	Rear Yoke RH	41	70-07-149	2	Washer-Felt
27	134-2304-03	1	Rear Yoke LH	42	09555	1	Washer
28	10-06-032	4	Seal-Dowty	44	65-07-009	8	Nut-Wheel, Dome
29	10-06-030	2	Seal-Dowty	45	10-11-100	1	Cap-Nut
30	09449	4	Nut	46	09298	1	Washer

● Not illustrated

Front Arm Assembly

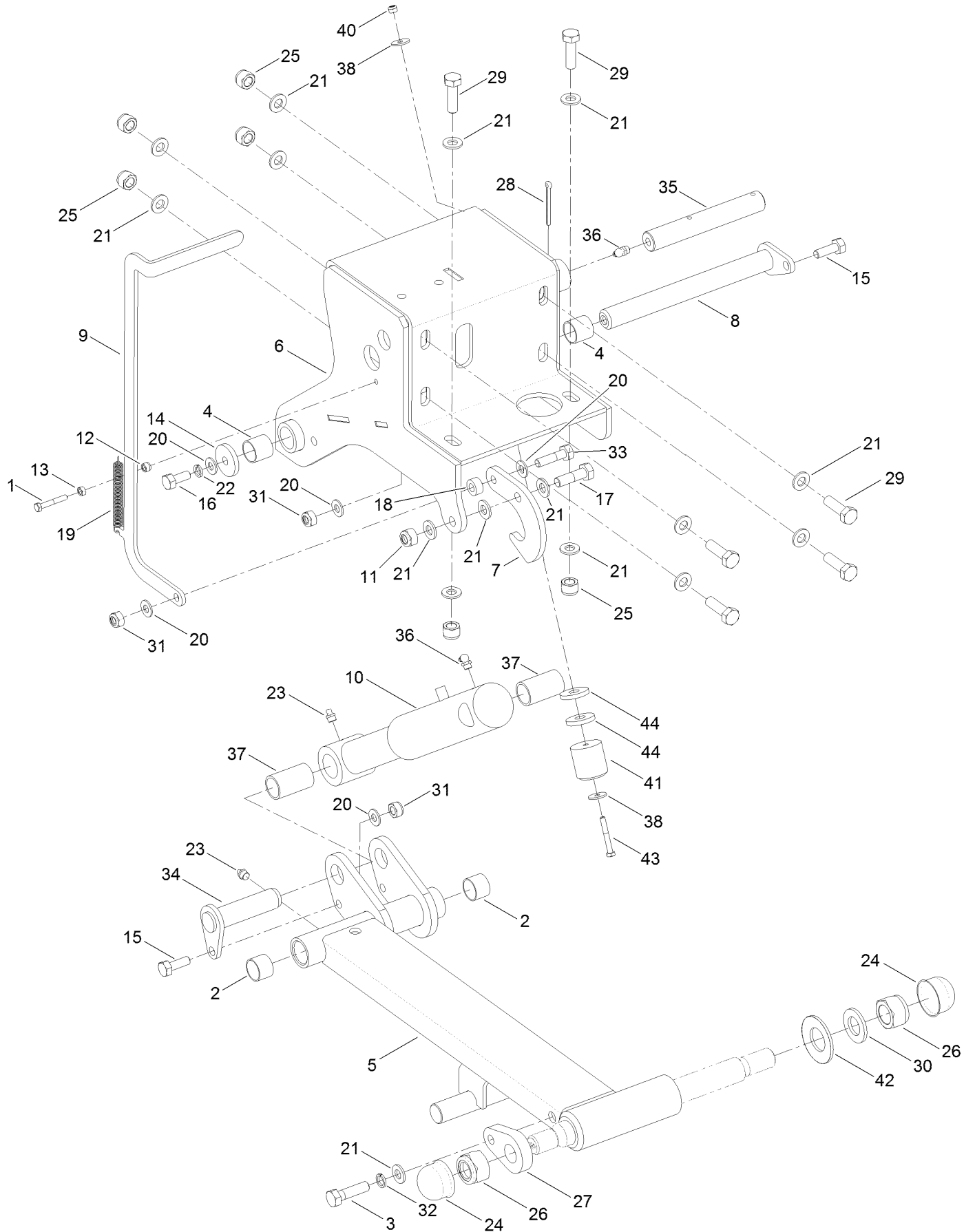


Front Arm Assembly (continued)

<i>Ref.</i>	<i>Part Number</i>	<i>Qty.</i>	<i>Description</i>	<i>Ref.</i>	<i>Part Number</i>	<i>Qty.</i>	<i>Description</i>
1	111-1390-03	1	Arm-Front, RH	26	09392	2	Screw-HH
2	111-4100-03	1	Arm-Front, LH	27	09395	2	Screw-HH
3	63-11-010	2	Bolt-HH	28	09394	4	Bolt
4	74-07-028	4	Bushing	29	ZDH1P050U	8	Screw-HH
5	876066	4	Bushing	30	ZDH1E016U	4	Screw-HH
6	111-8096-03	1	Frame-Pivot, Arm	32	09491	20	Washer-Plain
7	111-7921-01	1	Plate-Latch, RH	33	09555	8	Washer
8	111-7922-01	1	Plate-Latch, LH	34	09644	4	Washer-Spring
9	111-1998	2	HYD Lift Cylinder ASM	35	ZWQ1J000U	20	Washer-Plain
9:1	111-2561	2	Fitting-Grease ●	36	HY09485	6	Washer-Plain
9:2	111-3471	1	Seal Kit ●	37	09470	4	Washer
10	111-3336	2	Bar-Switch, Proximity	38	09480	2	Washer-Lock
11	10-11-100	4	Cap-Nut	39	70-13-077	2	Decal-Danger
12	ZNN1J000U	10	Nut-Hex, NI	40	70-13-072	1	Decal
13	09650	2	Nut-Hex, Nyloc	41	111-3248	2	Pin-Pivot, Front Arm
14	09456	8	Nut	42	111-3676	2	Spacer-Switch, Proximity
15	ZNN1X000U	4	Nut-Hex, Nyloc	43	ZDH1L040U	2	Screw-HH
16	74-11-002	2	Pin-Split	44	09599	2	Washer-Lock
17	63-01-185W	2	Retainer-Pin	45	111-4157	2	Stop-Bump
18	74-11-001	4	Pin	46	09397	2	Bolt
19	111-3366	2	Plate-Retaining, Bush	47	111-6822-03	2	Deflector-Arm, Mounted
20	111-4093-03	1	Mount-Latch, Plate	48	09703	4	Bolt-HH
21	105-0023	2	Switch-Proximity	49	09364	2	Screw-HH
22	922112	2	Roller	50	09262	12	Washer
23	ZCS1J025U	2	Screw-HSH	51	09544	6	Nut-Nyloc
24	10-06-030	2	Seal-Dowty	52	63-07-027	2	Zerk-Grease, BSP (90 DEG)
25	10-06-085	2	Adaptor				

● Not illustrated

Center Arm Assembly

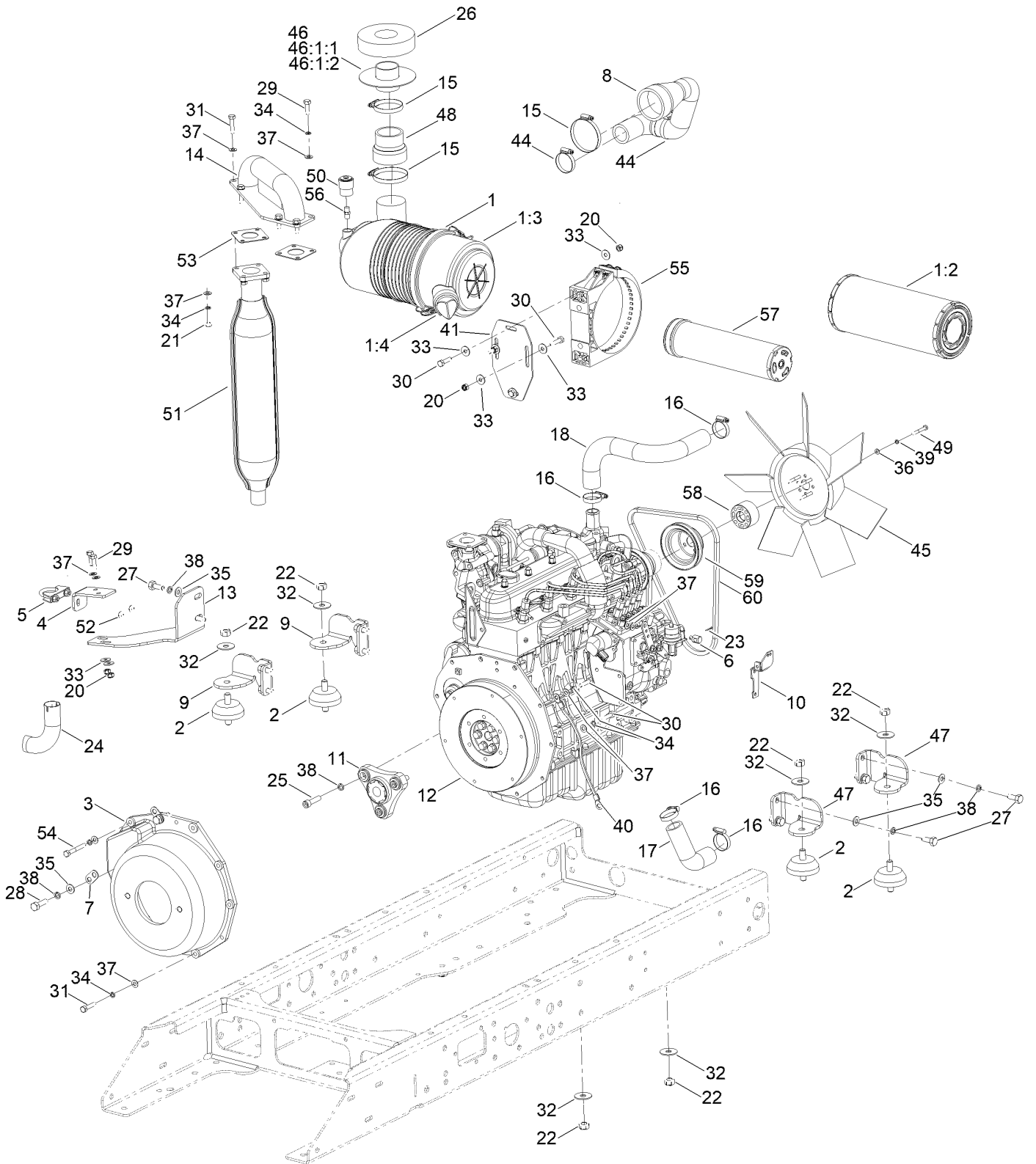


Center Arm Assembly (continued)

<i>Ref.</i>	<i>Part Number</i>	<i>Qty.</i>	<i>Description</i>	<i>Ref.</i>	<i>Part Number</i>	<i>Qty.</i>	<i>Description</i>
1	ZBH1F040U	1	Screw-HH	22	09480	1	Washer-Lock
2	74-07-028	2	Bushing	23	10-11-017	2	Fitting-Straight
3	ZBH1L045U	1	Screw-HH	24	10-11-100	2	Cap-Nut
4	876066	2	Bushing	25	ZNN1L000U	6	Nut-Nyloc
5	111-5158-03	1	Center Arm ASM	26	ZNN1X000U	2	Nut-Hex, Nyloc
6	111-5190-03	1	Center Arm Mount ASM	27	63-01-185W	1	Retainer-Pin
7	111-3099-01	1	Latch-Head, Center	28	74-11-003	1	Pin-Split
8	111-3248	1	Pin-Pivot, Front Arm	29	ZDH1L040U	6	Screw-HH
9	111-3122-01	1	Handle-Head, Center	30	09555	1	Washer
10	910109W	1	Cylinder-Lift	31	ZNN1J000U	3	Nut-Hex, NI
10:99	50-06-013	1	Seal Kit ●	32	09599	1	Washer-Lock
11	09650	1	Nut-Hex, Nyloc	33	09611	1	Bolt-HH
12	09544	1	Nut-Nyloc	34	74-05-108	1	Pin-Wing, Arm
13	09437	1	Nut	35	111-5212	1	Pin-Plain
14	111-3366	1	Plate-Retaining, Bush	36	63-07-027	2	Zerk-Grease, BSP (90 DEG)
15	09392	2	Screw-HH	37	25-07-007	2	Bushing-Tension
16	09395	1	Screw-HH	38	09263	2	Washer
17	63-11-010	1	Bolt-HH	40	09438	1	Nut-Nyloc
18	111-3457	1	Spacer-Latch, Center Head	41	61-07-003	1	Buffer-Rubber
19	111-3329	1	Spring-Latch, Center Head	42	767815	1	Washer-Belleville
20	ZWQ1J000U	5	Washer-Plain	43	ZDH1F050U	1	Setscrew
21	HY09485	16	Washer-Plain	44	63-01-115	2	Washer

● Not illustrated

Engine and Muffler Assembly



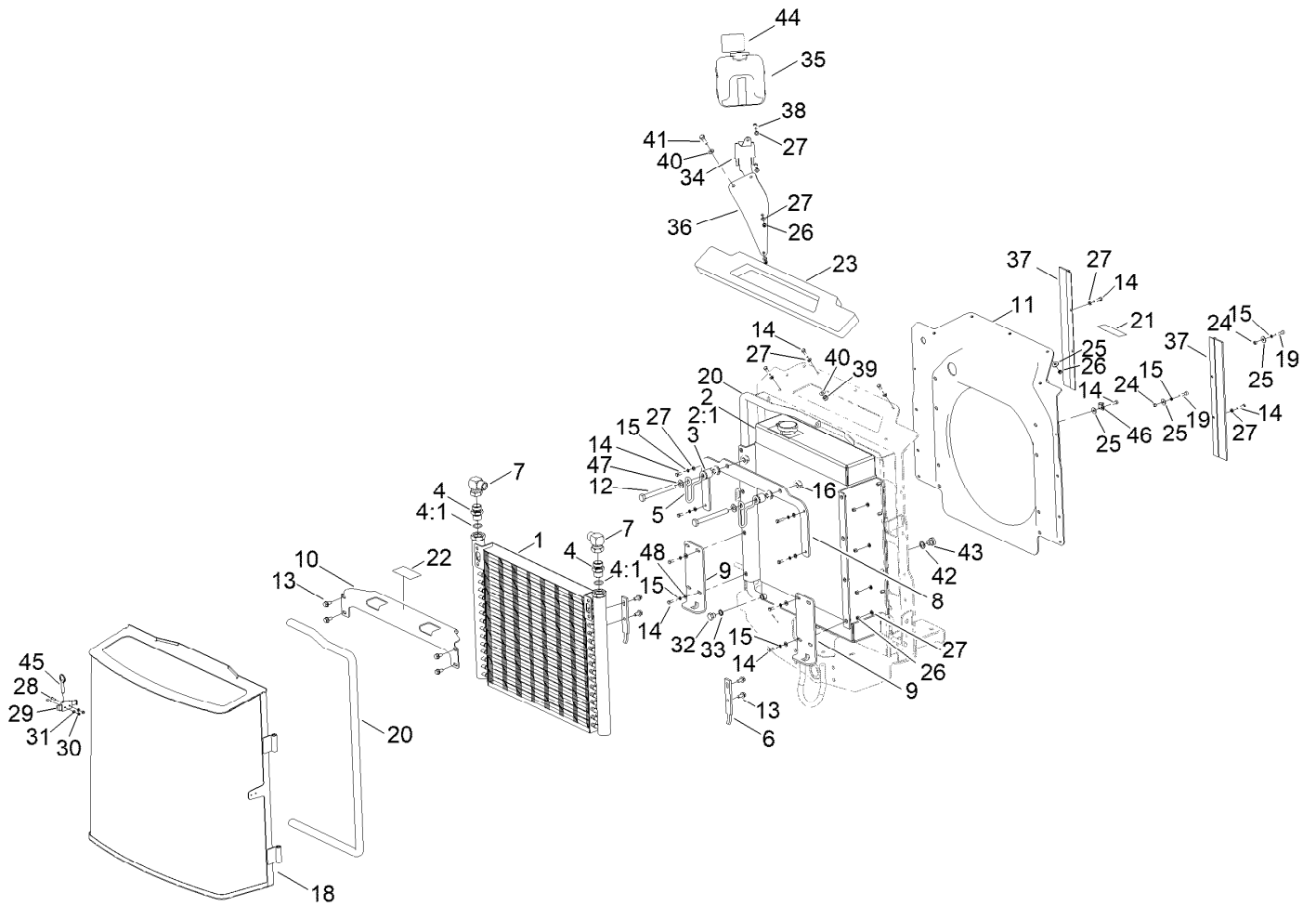
Engine and Muffler Assembly (continued)

<i>Ref.</i>	<i>Part Number</i>	<i>Qty.</i>	<i>Description</i>	<i>Ref.</i>	<i>Part Number</i>	<i>Qty.</i>	<i>Description</i>
1	110-8917	1	Air Cleaner ASM	31	ZDH1H035U	8	Screw-HH
1:2	108-3812	1	Filter-Air	32	09283	8	Washer
1:3	93-5986	1	Cover ASM	33	09267	10	Washer-Plain
1:4	87-9400	1	Valve-Vacuator	34	03469	16	Washer-Spring
1:5	285-17	1	Plug-Pipe ●	35	ZWQ1J000U	12	Washer-Plain
2	910816	4	Isomount-Engine	36	ZWP1F000U	4	Washer-Plain
3	922851	1	Housing-Bell	37	ZWP1H000U	24	Washer-Plain
4	111-9825-03	1	Bracket-Exhaust, Lower	38	09480	15	Washer-Lock
5	111-9717	1	Clamp-Exhaust	39	09474	4	Washer-Spring
6	111-3298	1	Pivot-Throttle, Boss	40	70-09-023	1	Cable-Earth
7	74-01-327	2	Bracket-Loom, Tie	41	111-8416-03	1	Bracket Air Cleaner
8	134-1948	1	Hose, Air Intake	44	924437	1	Clamp-Hose
9	111-3043-03	2	Bracket-Mount, Engine	45	110-8852	1	Fan-Cooling
10	111-3299-03	1	Bracket-Throttle	46	111-9176-03	1	Air Intake ASM
11	111-2556	1	Coupling	46:1		1	Air Intake ASM ●■
12	138-6126	1	Engine-Kubota, V1505-T	46:1:1	111-9174	1	Tube, Intake-Air
13	111-9824-03	1	Bracket-Exhaust, Lower	46:1:2	111-9175	1	Plate, Intake-Air
14	111-8413	1	Flange, Exhaust	47	111-7141-03	2	Bracket-Mount, Engine
15	65-07-042	3	Clip-Hose	48	111-9156	1	Reducer, Intake-Air
16	924438	4	Clamp-Hose	49	09568	4	Bolt-HH
17	111-8256	1	Hose-Radiator, Bottom	50	93-9164	1	Indicator-Mini
18	910921	1	Hose-Top	51	131-3842	1	Muffler
20	09441	6	Nut-Hex, NI	52	ZNB1H000U	2	Nut
21	ZNH1H000U	4	Nut-Hex	53	99-8343	2	Gasket-Muffler
22	09231	8	Nut-Hex	54	09371	2	Bolt
23	70-07-107	1	Pin-Split	55	111-5017	1	Strap-Cleaner, Air
24	940213	1	Tail Pipe-Exhaust	56	94-1416	1	Adapter-Indicator
25	111-3806	3	Screw-HSH	57	108-3813	1	Element-Safety, Air Cleaner
26	111-9177	1	Pad-Intake, Air	58	134-4621	1	Collar-Fan,
27	50-11-005	10	Screw-HH	59	110-0972	1	Pulley
28	111-0597	2	Screw-HH	60	98-9676	1	V-Belt
29	03162	6	Screw-HH	99	131-3849	1	Pipe-Water ●
30	09369	2	Screw-HH				

● Not illustrated

■ Not serviced separately

Radiator and Oil Cooler Assembly

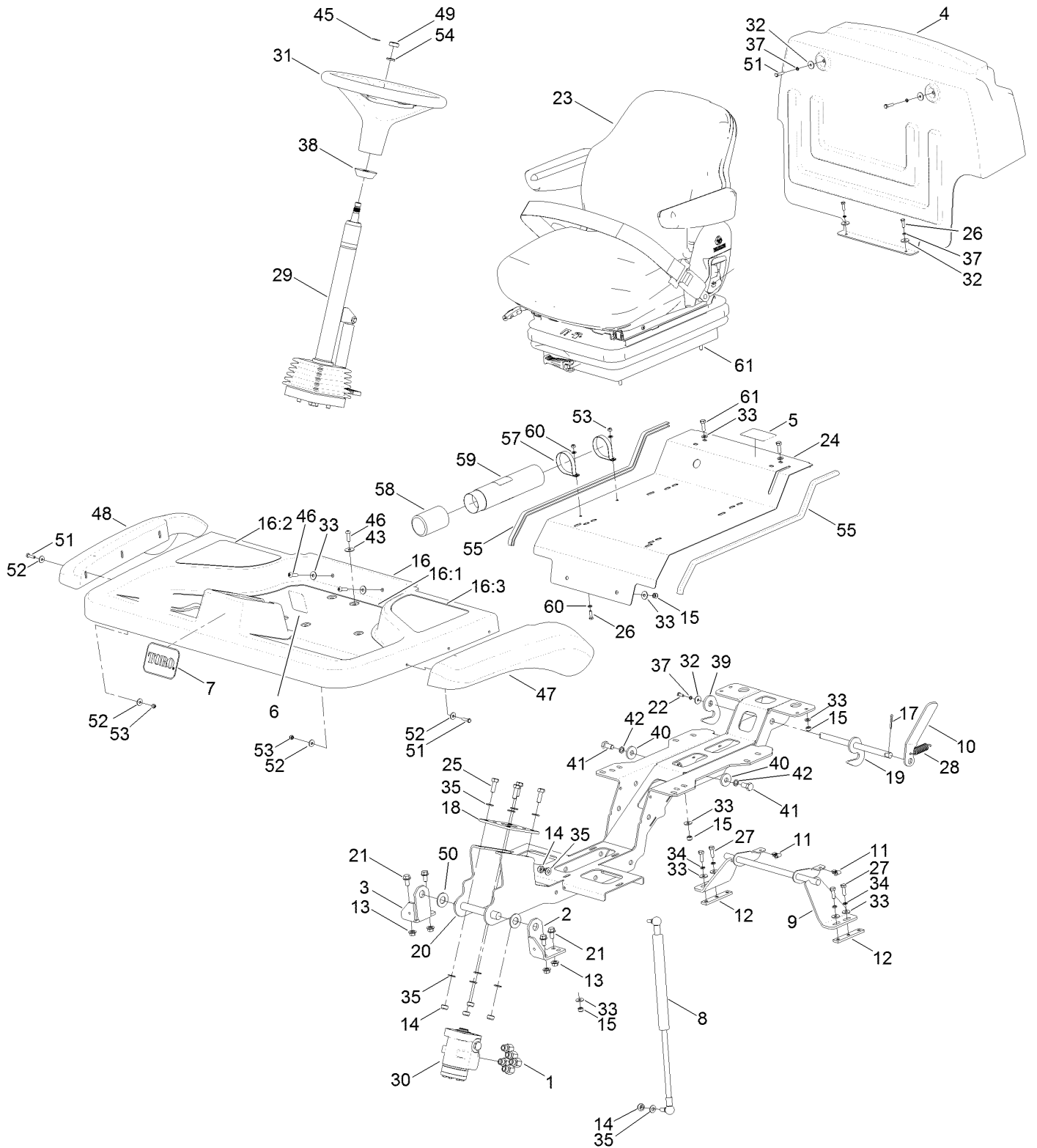


Radiator and Oil Cooler Assembly (continued)

<i>Ref.</i>	<i>Part Number</i>	<i>Qty.</i>	<i>Description</i>	<i>Ref.</i>	<i>Part Number</i>	<i>Qty.</i>	<i>Description</i>
1	110-0485	1	Cooler-Oil	25	09262	17	Washer
2	111-7999	1	Radiator	26	09438	15	Nut-Nyloc
2:1	111-9475	1	Cap-Radiator	27	09472	25	Washer-Plain
2:1:1	117-3276	1	Decal-Danger ●	28	111-3473	2	Screw-Button
3	111-9283	2	Spacer-Cooler, Oil (Latch)	29	115-1554	1	Latch-Draw
4	70-06-050	2	Adaptor-Boss	30	09657	2	Nut-Insert, NI
4:1	70-06-168	1	Seal-O Ring	31	09658	2	Washer
5	104-5429	2	Clamp-Form, Wire	32	30-06-200	1	Plug-HYD
6	104-5460-03	2	Plate-Mount, Oil Cooler	33	111-3925	1	Washer-Fiber
7	111-4443	2	Elbow-BSP	34	108-9930-0P	1	Bracket-Bottle
8	111-8011-03	1	Plate-Catch	35	108-0638	1	Bottle-Overflow
9	111-8226-03	2	Bracket-Cooler, Oil	36	111-9079-03	1	Plate-Bottle, Overflow
10	111-8440-03	1	Plate-Latch, Oil Cooler	37	111-9547	2	Brush Strip
11	134-2745	1	Fan Cowl	38	09363	2	Screw-HH
12	325-38	2	Screw-HH	39	09441	2	Nut-Hex, NI
13	3234-14	8	Screw-HHF	40	09475	4	Washer
14	09364	21	Screw-HH	41	03162	2	Screw-HH
15	09474	16	Washer-Spring	42	111-9626	1	Washer-Fiber
16	32128-49	4	Nut-HHF	43	50-06-207	1	Plug
18	111-8470-03	1	Screen-Rear	44	111-9647	1	Decal
19	ZCS1F025U	8	Screw-HSH	45	115-1556	1	Pin-Ball, Detent
20	115-4360	2	Seal-Bulb	46	70-07-109	1	Clip-Cable
21	111-3902	1	Decal-Engine, Fan/Radiator	47	HY09485	2	Washer-Plain
22	950889	1	Decal-Warning	48	09261	4	Washer-Plain
23	111-9460	1	Seal-Duct	99	92-2379	2	Clamp-Hose ●
24	111-9157	8	Bush				

● Not illustrated

Seat Pan Assembly

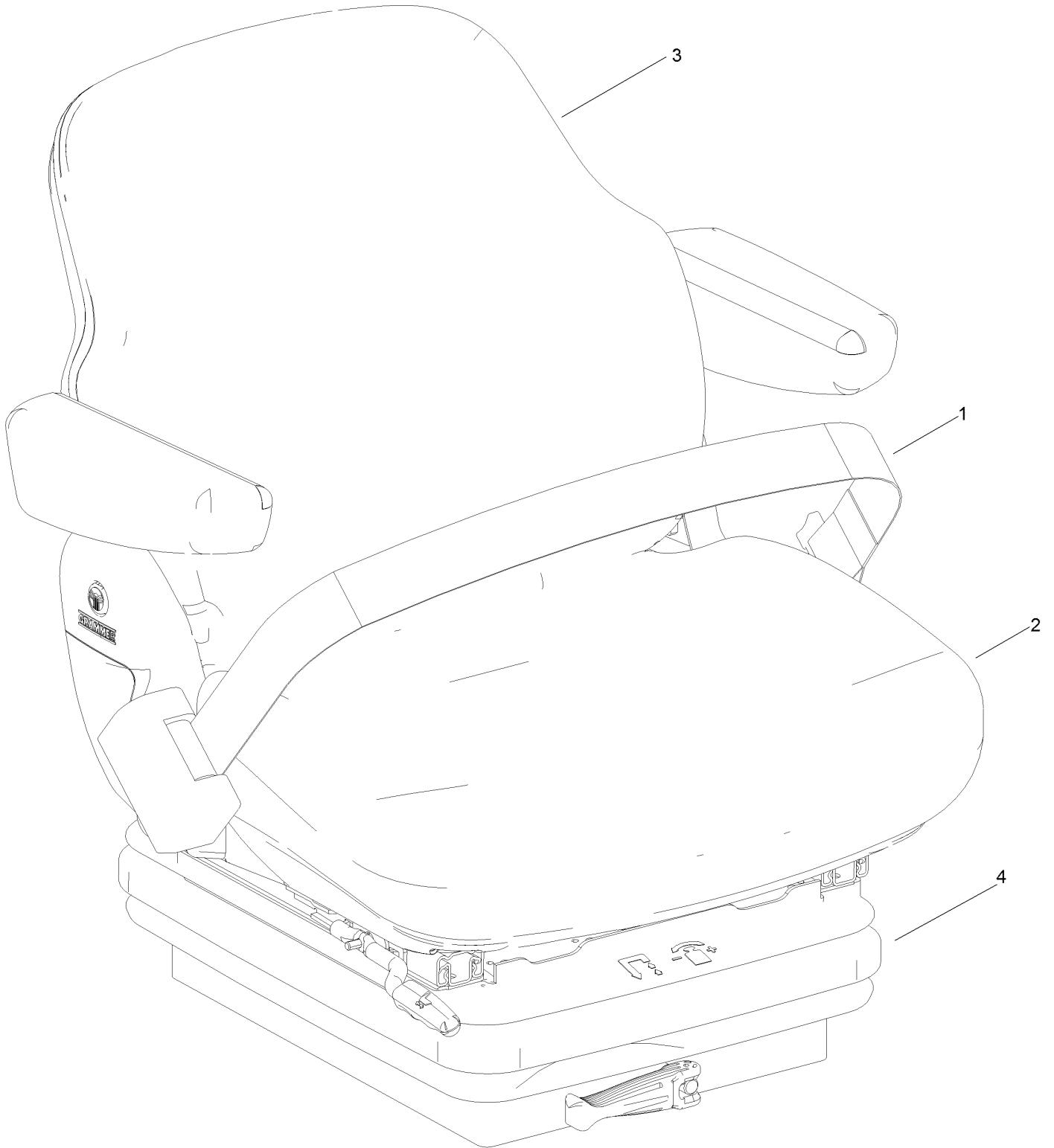


Seat Pan Assembly (continued)

<i>Ref.</i>	<i>Part Number</i>	<i>Qty.</i>	<i>Description</i>	<i>Ref.</i>	<i>Part Number</i>	<i>Qty.</i>	<i>Description</i>
1	111-3509	5	Adaptor	30	111-7464	1	Valve-Control, Steering
2	111-3243-03	1	Bracket-Platform Pivot, LH	30:99	94-4095	1	Centering Spring Kit ●
3	111-2665-03	1	Bracket-Platform Pivot, RH	30:99	130-8358	1	Seal Kit ●
4	111-8497	1	Bulkhead	31	98-1471	1	Wheel-Steering
5	111-3566	1	Decal-Latch, Platform	32	09263	5	Washer
6	111-3562	1	Decal	33	09267	22	Washer-Plain
7	67-1300	1	Decal	34	03469	4	Washer-Spring
8	111-9857	1	Gas Strut	35	ZWQ1J000U	10	Washer-Plain
9	111-3140-03	1	Bar-Latch	37	09474	5	Washer-Spring
10	111-3269-03	1	Lever-Latch, Platform	38	93-5429	1	Collar-Foam
11	410076	2	Nut	39	111-3268	1	Latch-Plate, Platform
12	111-3281	2	Bar-Nut	40	63-01-115	2	Washer
13	63-11-015	4	Nut-Hex	41	09415	2	Screw-HH
14	ZNN1J000U	6	Nut-Hex, NI	42	09599	2	Washer-Lock
15	09441	14	Nut-Hex, NI	43	09270	6	Washer-Plain
16	111-9744	1	Operator Platform ASM	45	98-1459	1	Decal
16:1	111-3506	1	Mat-Floor	46	ZHS1H025U	8	Screw-HSBH
16:2	111-3507	1	Mat-Side, LH	47	111-4921	1	Mudguard-LH
16:3	111-3508	1	Mat-Side, RH	48	111-4922	1	Mudguard-RH
17	70-11-004	1	Pin-Split	49	09827	1	Nut - Jam
18	111-2899-03	1	Plate-Mount, Pump (Steering)	50	09499	2	Washer
19	111-3266	1	Latch-Platform	51	09364	2	Screw-HH
20	111-9565-03	1	Support-Platform	52	09262	12	Washer
21	63-11-018	4	Screw-Durloc	53	09438	8	Nut-Nyloc
22	09362	1	Screw-HH	54	HY4200	1	Washer-Spring
23	134-0260	1	Seat ASM (Incl. Seat Belt)	55	50-08-001	2	Edging-Rubber
24	111-3069-03	1	Pan-Seat	57	107-1865	2	R-Clamp
25	09392	4	Screw-HH	58	104-7048	1	Cap-Housing
26	09363	10	Screw-HH	59	104-7050	1	Tube-Manual
27	03162	2	Screw-HH	60	09472	4	Washer-Plain
28	70-07-063	1	Spring-Extension	61	09368	4	Screw-HH
29	111-6756	1	Steering Column ASM	99	994808	1	Excluder-Draught ●

● Not illustrated

Seat Assembly No. 134-0260

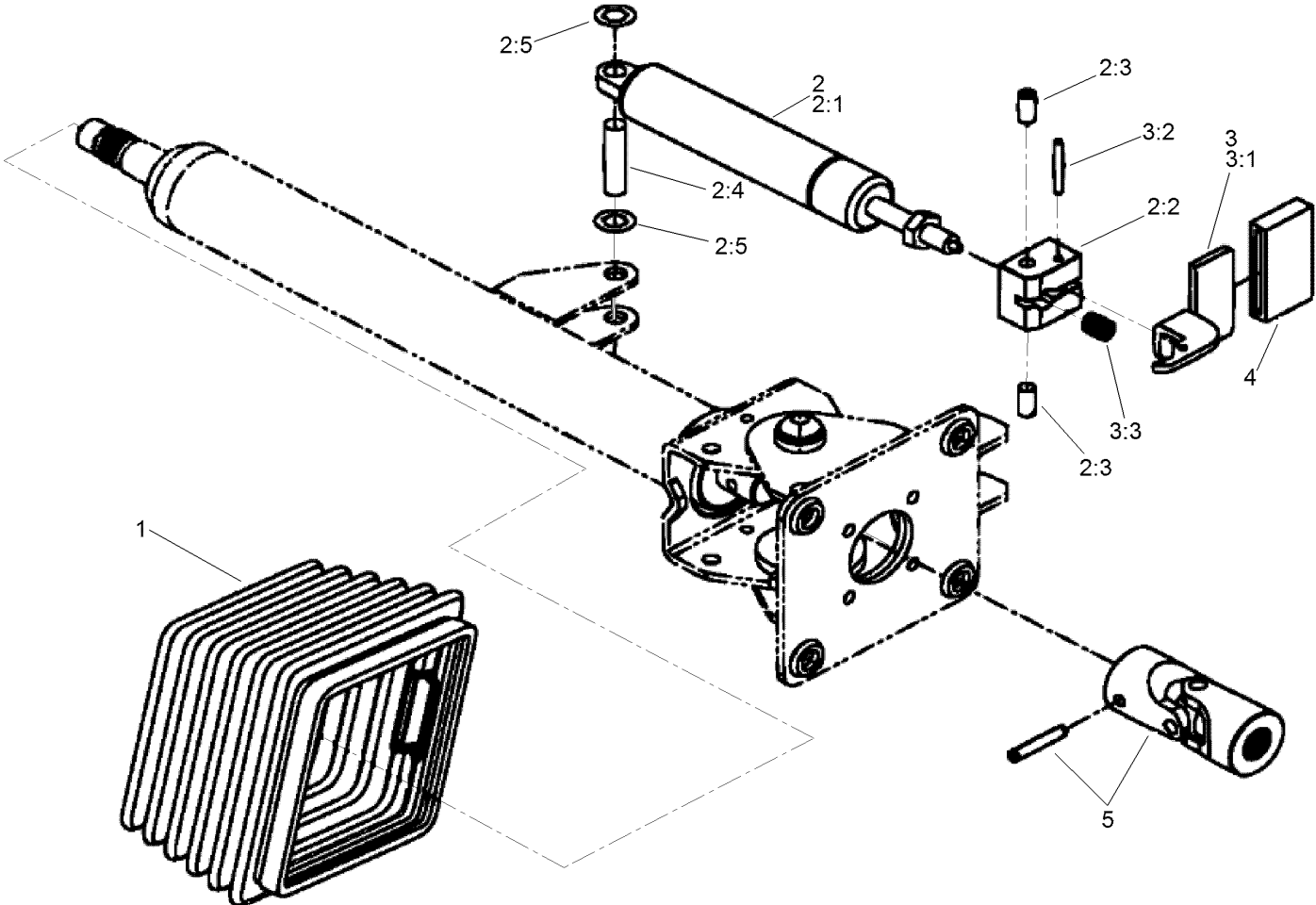


Seat Assembly No. 134-0260 (continued)

<i>Ref.</i>	<i>Part Number</i>	<i>Qty.</i>	<i>Description</i>	<i>Ref.</i>	<i>Part Number</i>	<i>Qty.</i>	<i>Description</i>
1	111-4936	1	Retractable Seat Belt ASM	4	953820	1	Seat Gaiter
2	111-5543	1	Cushion-Seat	99	111-5542	1	Seat Switch Kit ●
3	111-5544	1	Cushion-Backrest				

● Not illustrated

Steering Column Assembly No. 111-6756



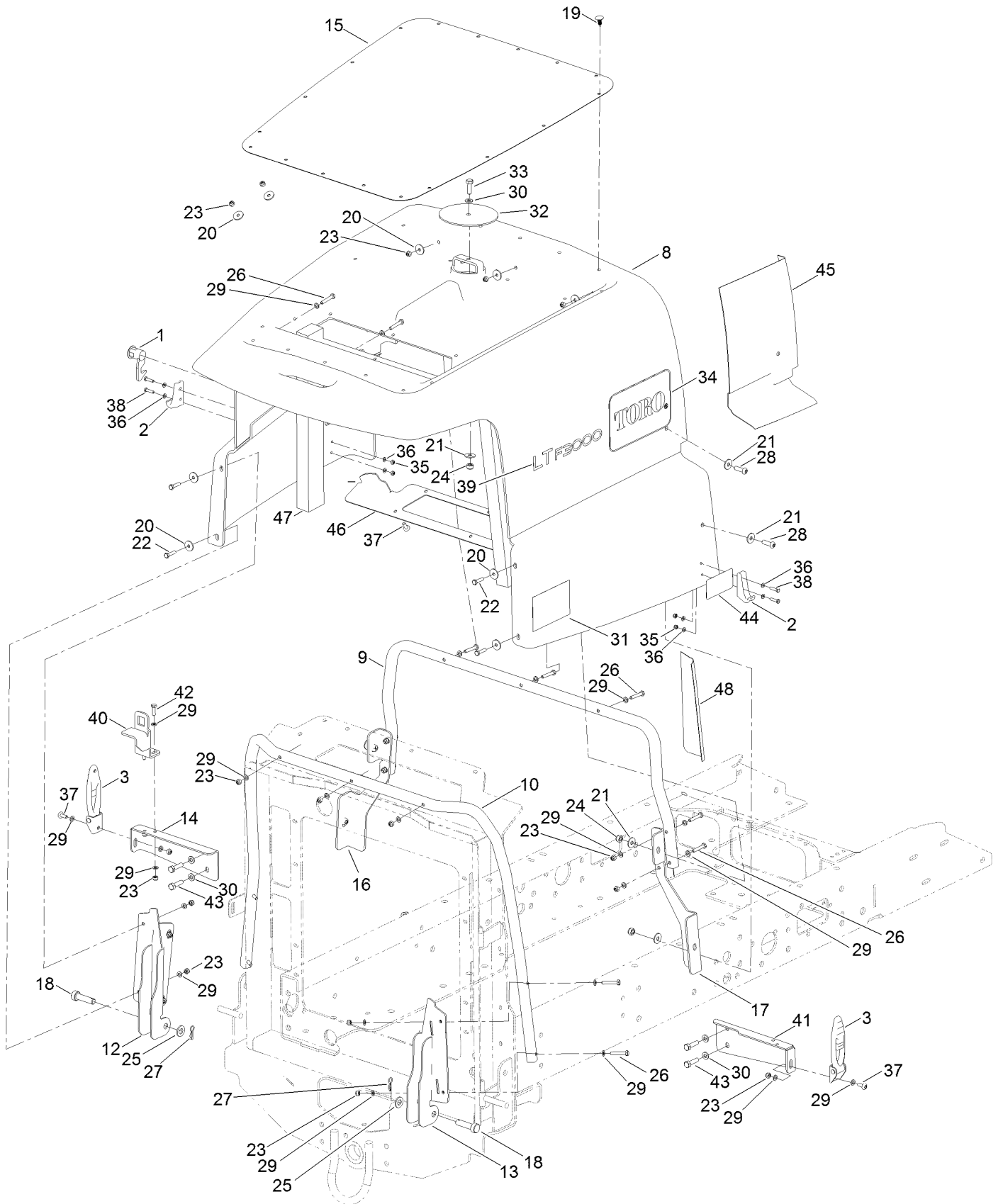
Steering Column Assembly No. 111-6756 (continued)

<i>Ref.</i>	<i>Part Number</i>	<i>Qty.</i>	<i>Description</i>	<i>Ref.</i>	<i>Part Number</i>	<i>Qty.</i>	<i>Description</i>
1	110-6462	1	Bellows-Rubber	3	110-6464	1	Pedal Service Kit
2	110-6463	1	Cylinder Service Kit	3:1		1	Pedal ■
2:1		1	Cylinder-Gas ■	3:2		1	Pin ■
2:2		1	Block-Pedal ■	3:3		1	Spring ■
2:3		2	Bolt ■	4	110-6465	1	Cover-Pedal ●
2:4		1	Pin ■	5	111-7314	1	Universal Joint Kit ●
2:5		2	Washer-Lock ■				

● Not illustrated

■ Not serviced separately

Engine Cover Assembly

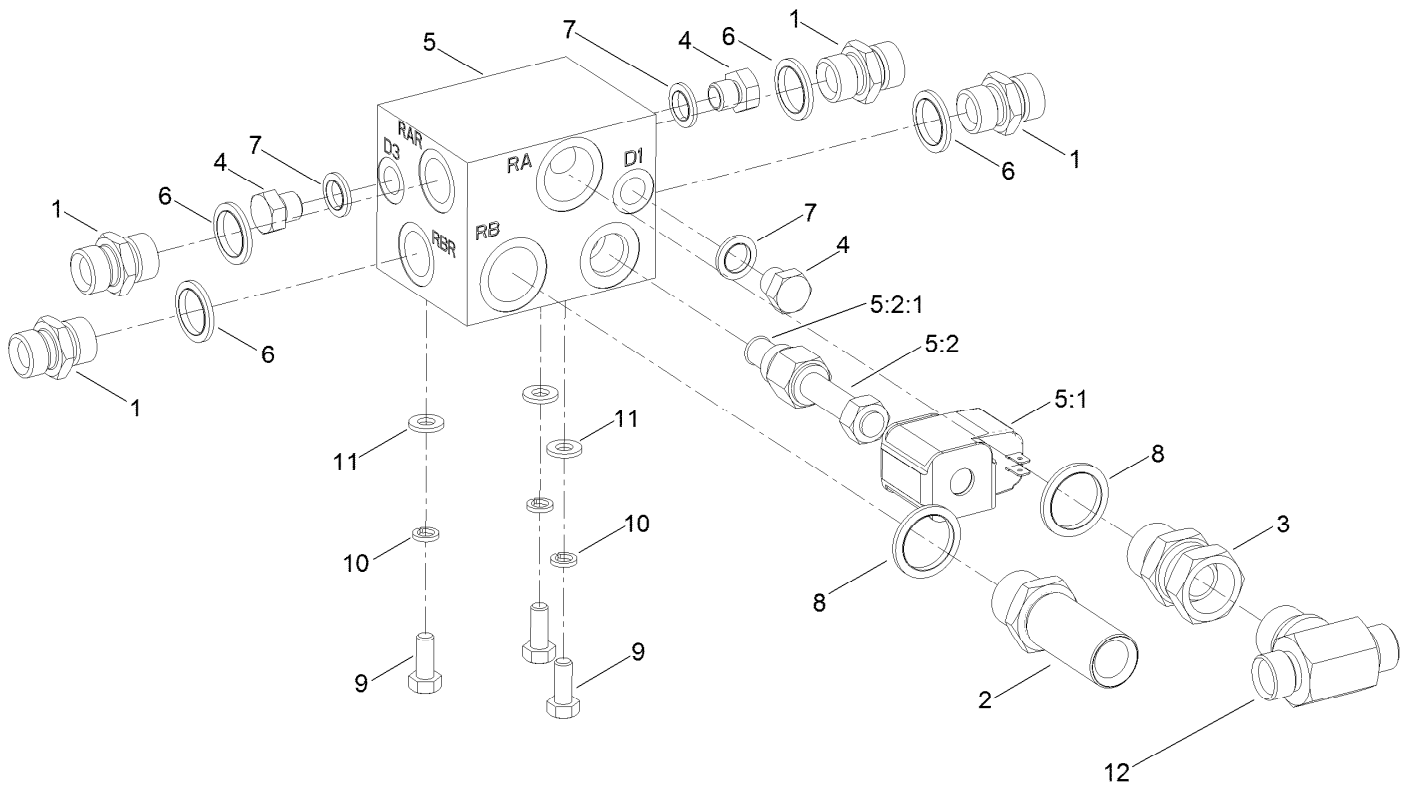


Engine Cover Assembly (continued)

<i>Ref.</i>	<i>Part Number</i>	<i>Qty.</i>	<i>Description</i>	<i>Ref.</i>	<i>Part Number</i>	<i>Qty.</i>	<i>Description</i>
1	98-5398	1	Latch	28	ZHS1H025U	4	Screw-HSBH
1:1	3218-20	1	Nut-Jam ●	29	09472	37	Washer-Plain
2	103-2897	2	Latch-Catch	30	ZWP1H000U	9	Washer-Plain
3	103-2898	2	Latch-Rubber	31	94-8099	2	Decal
8	111-8495	1	Cover-Engine	32	111-3557-03	1	Cover-Air, Intake
9	111-9053-03	1	Tube-Front, Cover Frame	33	03162	1	Screw-HH
10	111-9054-03	1	Tube-Rear, Cover Frame	34	111-3728	2	Decal
12	111-9058-03	1	Hinge-Cover, LH	35	09430	4	Nut-Nyloc
13	111-9060-03	1	Hinge-Cover, RH	36	09470	8	Washer
14	111-9103-03	1	Bracket-Cover, Latch	37	09784	8	Screw-Soc, HD
15	111-9117-03	1	Screen-Cover, Engine	38	ZDH1E020U	4	Screw-HH
16	111-9331-03	1	Mount-Cover, Front (LH)	39	111-9400	2	Decal - Ltf3000
17	111-9332-03	1	Mount-Cover, Front (RH)	40	111-9464-03	1	Bracket-Cover, Lock
18	111-9178	2	Pin-Hinge, Cover	41	111-9468-03	1	Bracket-Cover, Latch (RH)
19	117-2382	18	Plug-Plastic	42	09363	2	Screw-HH
20	09263	13	Washer	43	09369	4	Screw-HH
21	09267	9	Washer-Plain	44	950889	1	Decal-Warning
22	09364	4	Screw-HH	45	111-9481	1	Heat Shield
23	09438	28	Nut-Nyloc	46	111-9523-03	1	Plate-Cover, Seal
24	09441	9	Nut-Hex, NI	47	111-9524	2	Seal-Frame
25	HY09485	2	Washer-Plain	48	111-9536	1	Heat-Shield, Lower
26	09645	14	Setscrew-HH	99	111-7488	3	Seal-Cover, Screen ●
27	H192040	2	Clip-R				

● Not illustrated

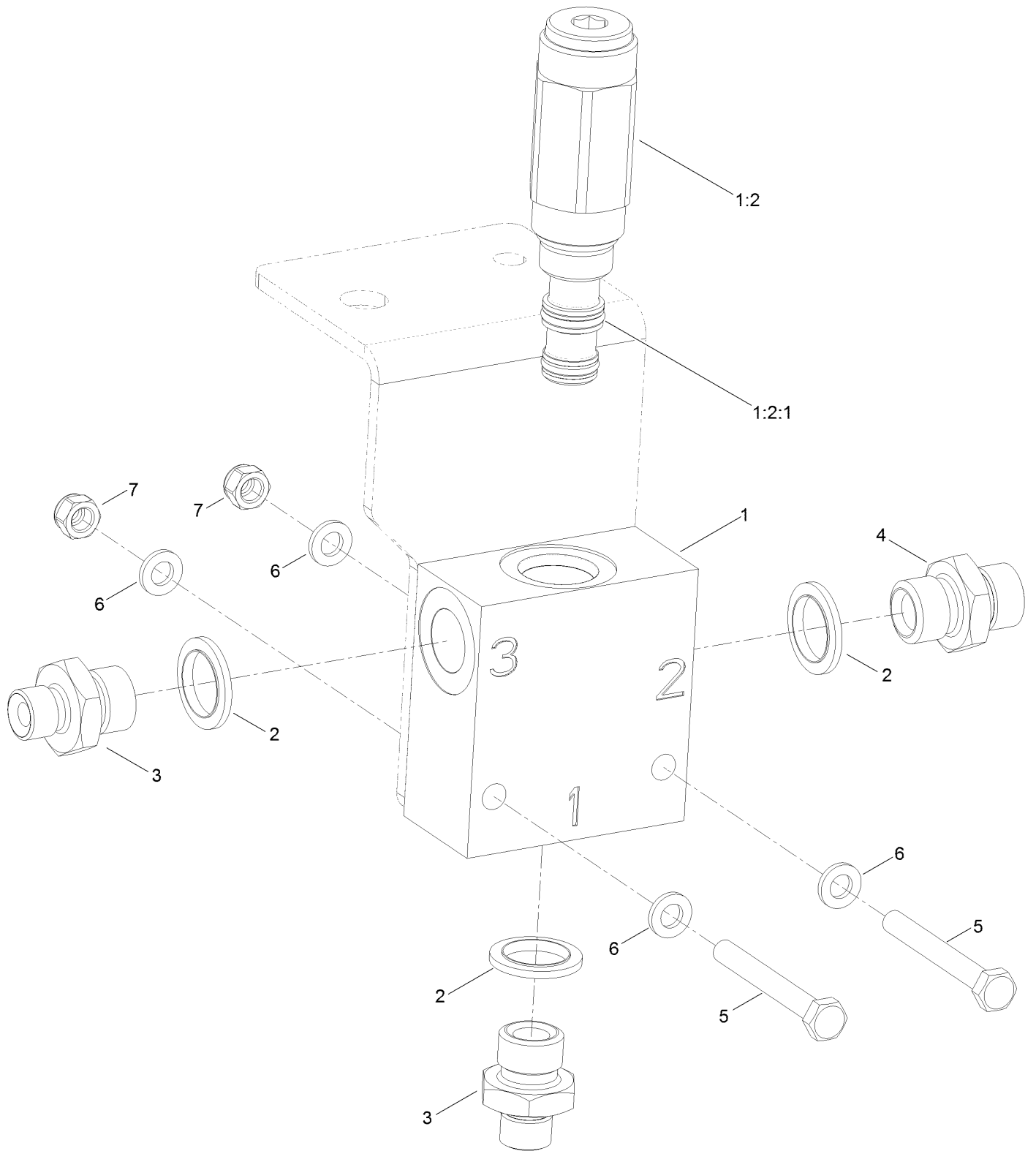
Subsystem Hydraulic Manifold Assembly



Subsystem Hydraulic Manifold Assembly (continued)

<i>Ref.</i>	<i>Part Number</i>	<i>Qty.</i>	<i>Description</i>	<i>Ref.</i>	<i>Part Number</i>	<i>Qty.</i>	<i>Description</i>
1	10-06-078	4	Adaptor-BSPP	5:2:1	910642	1	Seal Kit
2	111-7494	1	Adaptor-BSP	6	10-06-032	4	Seal-Dowty
3	20-06-202	1	Adaptor	7	10-06-030	3	Seal-Dowty
4	30-06-200	3	Plug-HYD	8	10-06-033	2	Seal-Dowty
5	924687	1	Manifold-Transmission, Rear	9	09368	3	Screw-HH
5:1	910627	1	Coil-Solenoid	10	03469	3	Washer-Spring
5:2	924688	1	Valve-Solenoid	11	ZWP1H000U	3	Washer-Plain
				12	940607	1	Tee-BSPP

Valve Control Assembly

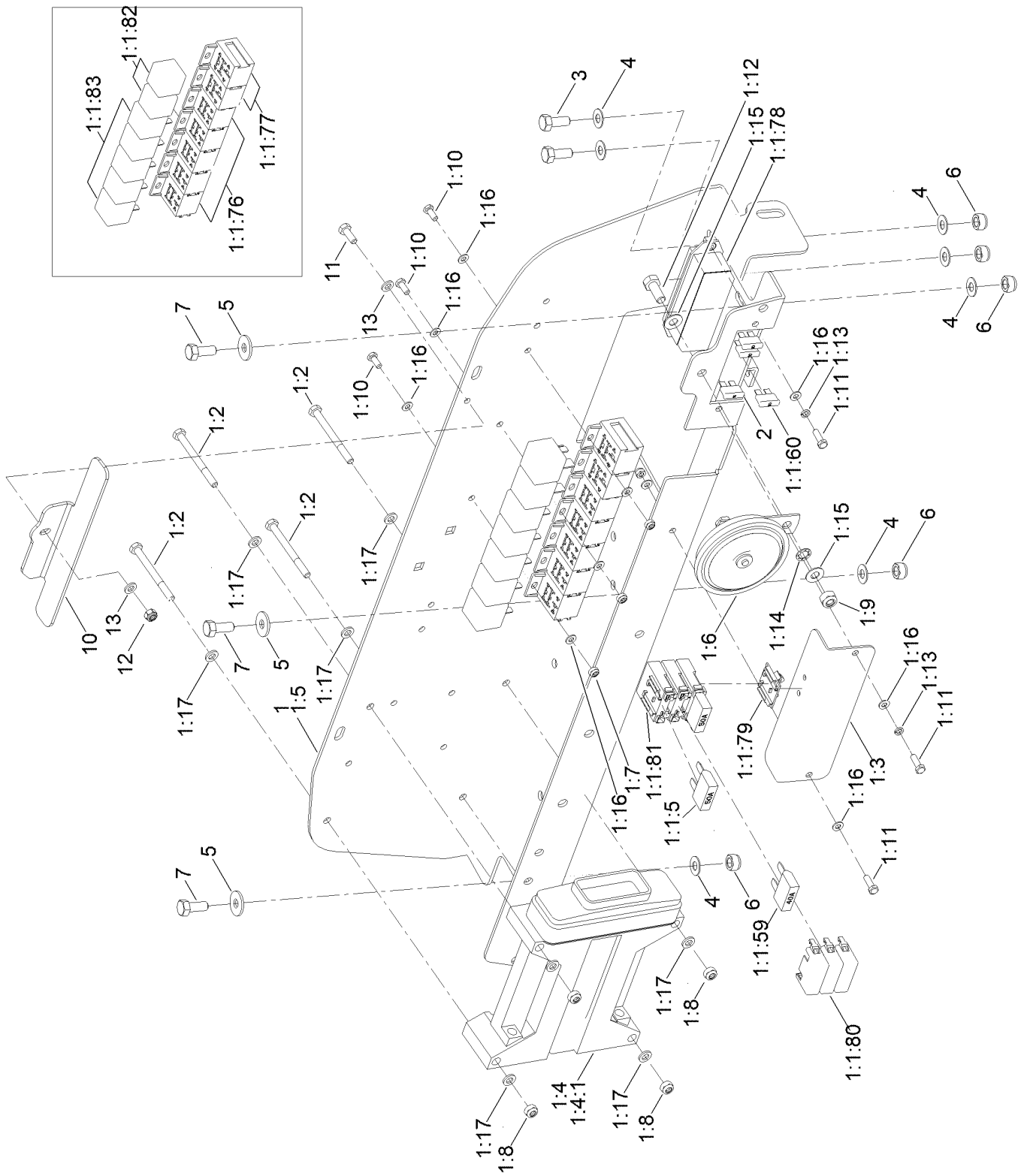


Valve Control Assembly (continued)

<i>Ref.</i>	<i>Part Number</i>	<i>Qty.</i>	<i>Description</i>	<i>Ref.</i>	<i>Part Number</i>	<i>Qty.</i>	<i>Description</i>
1	111-8428	1	Valve-Control, Brake	3	50-06-009	2	Adaptor-BSP
1:1	111-8441	1	Housing-Valve, 3-Way ●	4	10-06-042	1	Adaptor-BSPP
1:2	111-9171	1	Valve, Control-Pressure	5	ZDH1F050U	2	Setscrew
1:2:1	105-9164	1	Seal Kit	6	09472	4	Washer-Plain
2	10-06-031	3	Seal-Dowty	7	09438	2	Nut-Nyloc

● Not illustrated

Loom Kit Assembly



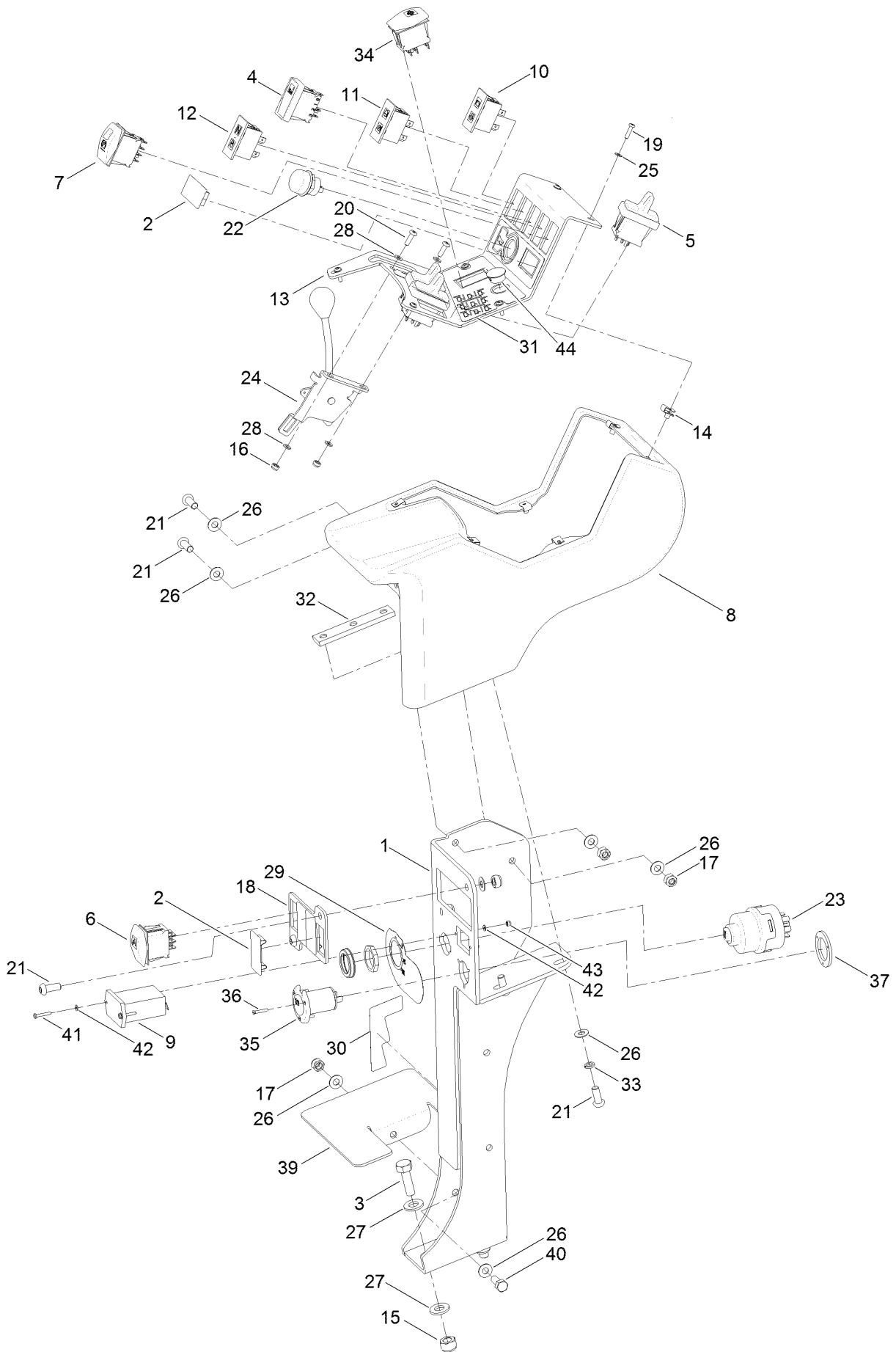
Loom Kit Assembly (continued)

<i>Ref.</i>	<i>Part Number</i>	<i>Qty.</i>	<i>Description</i>	<i>Ref.</i>	<i>Part Number</i>	<i>Qty.</i>	<i>Description</i>
1		1	Loom Kit ■	1:10	ZDH1E012U	3	Screw-HH
1:1	134-4695	1	Harness-Main, Lt-F3000 ●	1:11	ZDH1E016U	3	Screw-HH
1:1:5	995714	2	Fuse-50A	1:12	09368	1	Screw-HH
1:1:34	111-0348	2	Diode ●	1:13	09644	2	Washer-Spring
1:1:59	111-2898	1	Fuse-40A	1:14	09476	1	Washer-Shakeproof
1:1:60	70-09-026	3	Fuse-10A	1:15	09475	2	Washer
1:1:76	111-0360	6	Base-Relay ●	1:16	09470	10	Washer
1:1:77	111-0361	2	Base-Relay, 70A ●	1:17	09472	8	Washer-Plain
1:1:78	70-09-096	1	Box-Fuse	1:99	950868	2	Diode Assembly
1:1:79	111-0303	1	Bracket-Maxifuse ●	1:99	134-4697	1	Harness-Pump, Fuel
1:1:80	111-0302	3	Cover	1:99	111-6745	1	Harness-Manifold, Cutters ●
1:1:81	111-0283	3	Holder-Maxifuse ●	2	70-09-151	1	Fuse-15A
1:1:82	924625	2	Relay-70A	3	09368	2	Screw-HH
1:1:83	111-0336	5	Relay-30A	4	09475	7	Washer
1:2	09703	4	Bolt-HH	5	09267	3	Washer-Plain
1:3	111-4842-03	1	Bracket-Fuse	6	09441	5	Nut-Hex, NI
1:4		1	Flail Controller ASM ■	7	03162	3	Screw-HH ●
1:4:1	111-7937	1	Control Unit, Lt/Ct	10	134-3682-03	1	Bracket, Relay
1:5	111-3037-03	1	Plate-Base, Electrical	11	09362	1	Screw-HH
1:6	70-09-108	1	Horn ASM	12	09438	1	Nut-Nyloc
1:7	09430	4	Nut-Nyloc	13	09472	2	Washer-Plain
1:8	09438	4	Nut-Nyloc	99	HY3966	30	Tie-Cable ●
1:9	09441	1	Nut-Hex, NI				

● Not illustrated

■ Not serviced separately

Control Arm Assembly

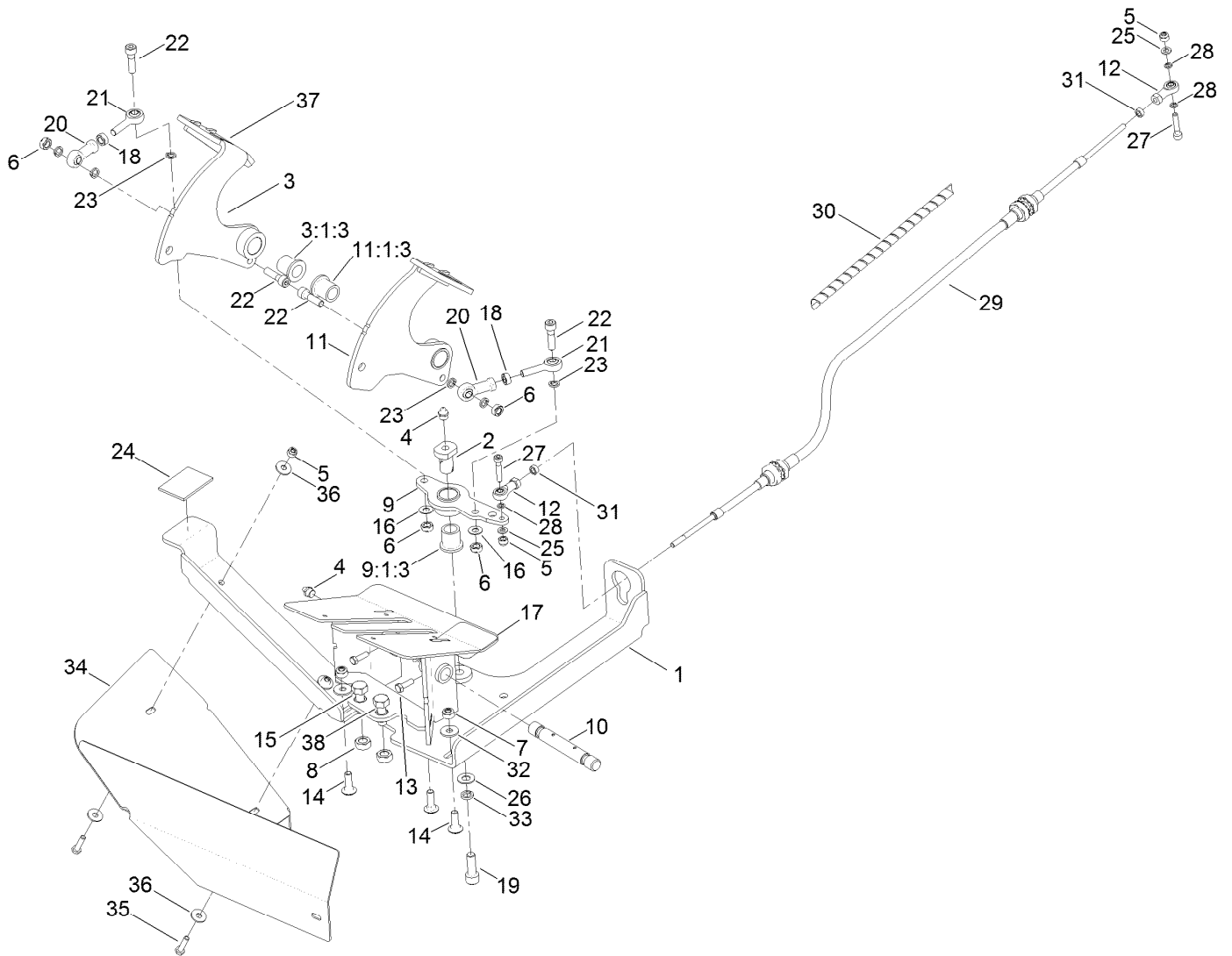


Control Arm Assembly (continued)

<i>Ref.</i>	<i>Part Number</i>	<i>Qty.</i>	<i>Description</i>	<i>Ref.</i>	<i>Part Number</i>	<i>Qty.</i>	<i>Description</i>
1	111-8496-03	1	Control Arm ASM	23:1	74-09-017	1	Key-Ignition ●
2	111-2337	4	Blank-Switch	23:2	74-09-010	1	Switch-Cover ●
3	09394	2	Bolt	24	111-7090	1	Cable-Throttle
4	111-7490	1	Switch-Cutters	25	09658	6	Washer
5	111-2956	3	Switch-Lift	26	09475	10	Washer
6	111-2451	1	Switch-Limited	27	ZWQ1J000U	4	Washer-Plain
7	111-2254	1	Switch-Parking Brake, On-None-On	28	09470	4	Washer
8	111-3004	1	Pod-Control	29	111-3344	1	Decal-Switch, Ignition
9	75-6820	1	Hourmeter	30	111-3658	1	Decal-Latch, Cutterhead
10	111-2333	1	Indicator-Illuminated	31	134-1807	1	Decal-Lift Switches & Engine Control
11	111-2334	1	Indicator-Illuminated	32	111-3281	1	Bar-Nut
12	111-3026	1	Indicator-Illuminated	33	03469	2	Washer-Spring
13	111-2963-03	1	Instrument-Panel	34	111-8021	1	Switch-Lock
14	111-3079	6	U-Nut	35	111-2888	1	Socket
15	09447	2	Nut	36	111-3539	3	Screw-Slot, Countersunk
16	09430	2	Nut-Nyloc	37	111-6026	1	Bracket-Securing
17	09441	5	Nut-Hex, NI	39	111-5239-03	1	Plate-Filler
18	111-8494-03	1	Plate-Switch	40	09368	1	Screw-HH
19	111-3473	6	Screw-Button	41	09696	2	Setscrew
20	111-3381	2	Screw-HSBH	42	HY09697	4	Washer-Plain
21	ZHS1H020U	6	Screw-HSBH	43	HY09698	2	Nut-Nyloc
22	924618	1	Switch-Horn, Push	44	130-8439	1	Plug-Dome
23	74-09-009	1	Switch-Ignition	99	98-9321	1	Ring-Key ●

● Not illustrated

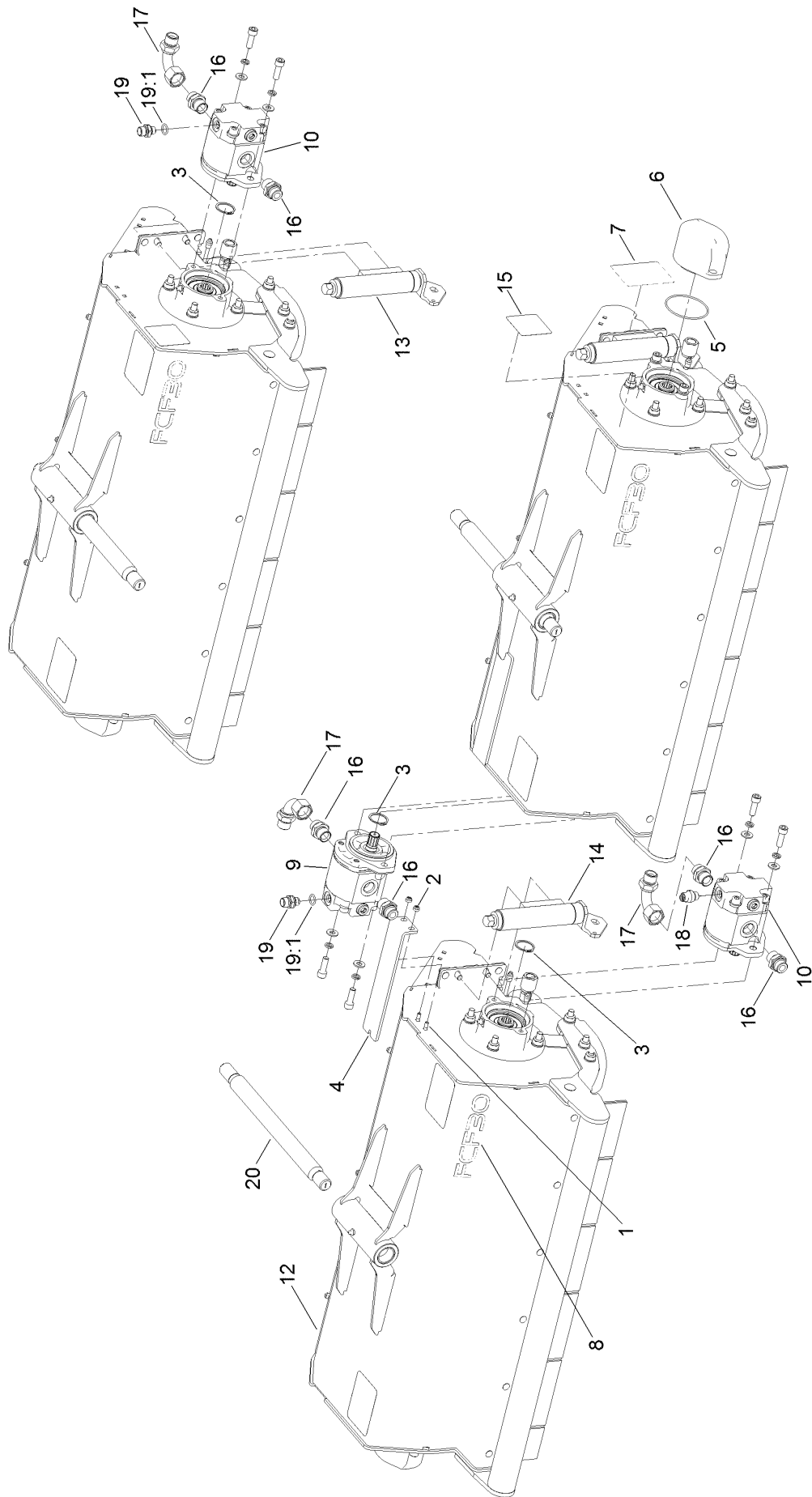
Control Pedal Assembly



Control Pedal Assembly (continued)

<i>Ref.</i>	<i>Part Number</i>	<i>Qty.</i>	<i>Description</i>	<i>Ref.</i>	<i>Part Number</i>	<i>Qty.</i>	<i>Description</i>
1	111-7175-03	1	Pedal-Mounting	19	ZCS1J030U	1	Screw-HSH
2	111-7122	1	Boss-Pedal, Link	20	111-2896	2	Rod-End, Female
3	111-9243-03	1	Forward Pedal ASM	21	111-6147	2	Rod End
3:1:3	953868	1	Bushing-Flange, Oilite	22	ZCS1H030U	4	Screw-Cap
4	10-11-017	2	Fitting-Straight	23	111-6948	6	Washer-Spring
5	09544	4	Nut-Nyloc	24	HY910808	1	Strip-Neoprene
6	ZNB1H000U	4	Nut	25	09472	2	Washer-Plain
7	09441	3	Nut-Hex, NI	26	09479	1	Washer-Plain
8	09449	2	Nut	27	111-4586	2	Screw-HSH
9	111-7068-03	1	Pedal Link ASM	28	09474	3	Washer-Spring
9:1:3	953868	1	Bushing-Flange, Oilite	29	111-7140	1	Cable-Transmission
10	111-1310	1	Pin-Control, Pedal	30	111-6133	1	Guard-Spiral
11	111-9244-03	1	Reverse Pedal ASM	31	09437	2	Nut
11:1:3	953868	1	Bushing-Flange, Oilite	32	09267	3	Washer-Plain
12	111-4579	2	Rod End-Female/Female	33	09480	1	Washer-Lock
13	09363	2	Screw-HH	34	111-7253-03	1	Deflector-Grass, Cutter (RH)
14	09373	3	Bolt-Coach	35	09364	2	Screw-HH
15	09392	1	Screw-HH	36	09262	4	Washer
16	09475	2	Washer	37	70-07-067	1	Tape-Slip, Anti
17	111-3567	1	Decal-Pedal, Operation	38	09611	1	Bolt-HH
18	ZNH1H000U	2	Nut-Hex				

Cutter Component Assembly

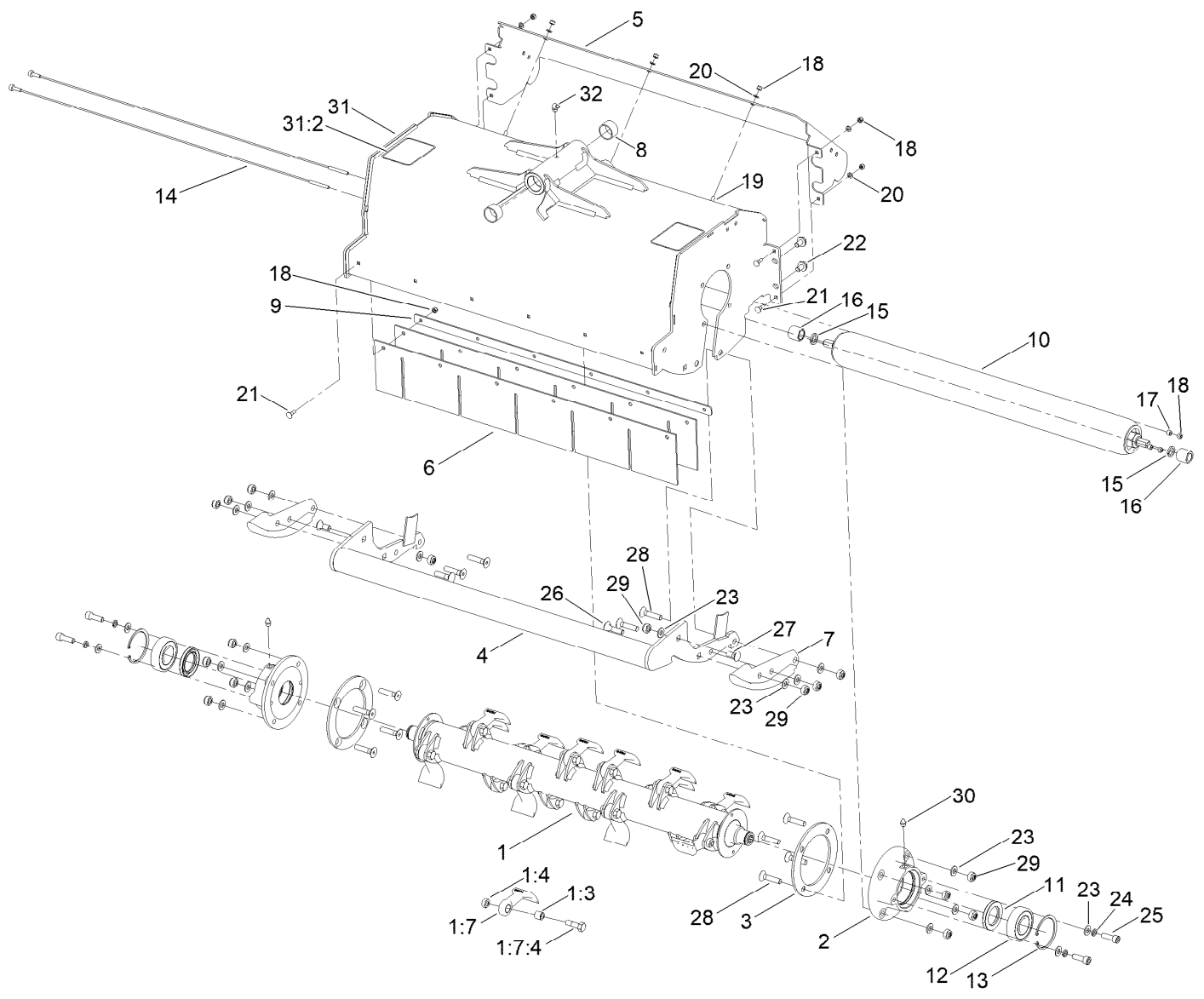


Cutter Component Assembly (continued)

<i>Ref.</i>	<i>Part Number</i>	<i>Qty.</i>	<i>Description</i>	<i>Ref.</i>	<i>Part Number</i>	<i>Qty.</i>	<i>Description</i>
1	09668	4	Bolt-Coach	10:3	111-9630	1	Valve-Shock, 17 Bar ●
2	09438	4	Nut-Nyloc	12	111-9515	3	Flail Cutterhead ASM
3	111-9214	3	Ring-Retaining, EXT	13	111-9518	1	Centre Head HOC Adjuster ASM
4	111-9179	2	Guide-Plate, Roller	14	111-9519	2	Front Head HOC Adjuster ASM
5	876032	3	O-Ring	15	111-9648	4	Decal
6	111-8487-03	3	Weight [black]	16	111-9107	6	Fitting-Straight
7	111-9382	4	Decal-HOC	17	111-9108	3	Fitting-Elbow, 90
8	111-9401	3	Decal	18	70-06-054	1	Adaptor
9	111-8429	1	Motor-Cutter, Clockwise	19	111-4788	2	Fitting-Straight
9:1	111-8146	1	Seal Kit ●	19:1	70-06-165	1	Seal-O Ring
9:2	117-5107	1	Valve-Check ●	20	65-05-127	3	Pin-Head, Pivot
9:3	111-9630	1	Valve-Shock, 17 Bar ●	99	HY922101	1	Spanner-Adjuster, Cutterhead ●
10	111-8430	2	Motor-Cutter, Anti-Clockwise				
10:1	111-8146	1	Seal Kit ●				
10:2	117-5107	1	Valve-Check ●				

● Not illustrated

Flail Cutterhead Assembly No. 111-9515

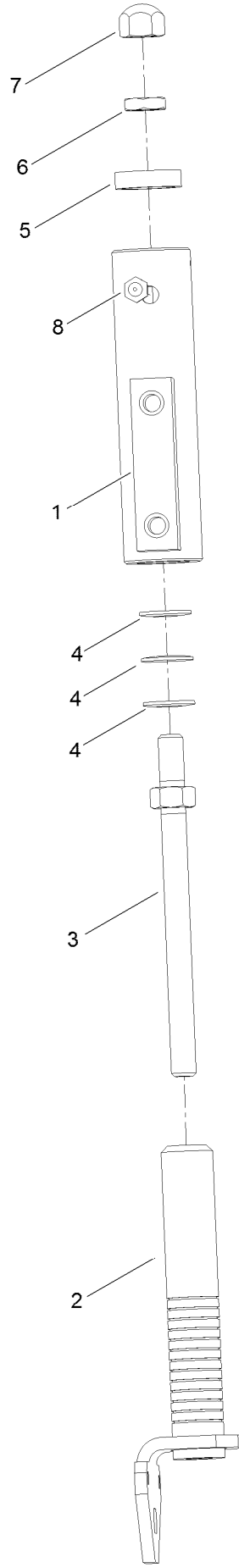


Flail Cutterhead Assembly No. 111-9515 (continued)

<i>Ref.</i>	<i>Part Number</i>	<i>Qty.</i>	<i>Description</i>	<i>Ref.</i>	<i>Part Number</i>	<i>Qty.</i>	<i>Description</i>
1	134-5006	1	Rotor ASM	13	111-9135	2	Ring-Retaining, Int
1:3	111-9172	16	Bushing-Sleeve	14	63-07-072	2	Scraper-Wire
1:4	134-3841	16	Screw-HH	15	HY4200	2	Washer-Spring
1:5	09449	16	Nut ●	16	876062	2	Roller-Nut
1:7	111-9631	1	Kit-Blade(X2)	17	340154	2	Bushing
1:7	111-9668	1	Kit-Blade(X16)	18	09438	15	Nut-Nyloc
1:7:2	111-9172	2	Bushing-Sleeve ●	19	09570	3	Bolt-Carriage
1:7:4	09449	2	Nut	20	09472	7	Washer-Plain
2	111-9208-03	2	Housing-Bearing, Rotor	21	09668	10	Bolt-Coach
3	111-9123-03	2	Rotor-Ring	22	63-11-019	4	Screw-HHF
4	111-9164-03	1	Tube ASM	23	ZWQ1J000U	20	Washer-Plain
5	111-9142-01	1	Frame-Extension	24	09480	4	Washer-Lock
6	111-9160	2	Guard-Rubber, Front	25	ZCS1J030U	4	Screw-HSH
7	884024W	2	Skid	26	111-9327	2	Bolt-Carriage
8	876065	2	Bushing-Sleeve	27	15-11-003	2	Bolt-CARR
9	111-9144	1	Strip-Clamp, Guard	28	111-9328	12	Screw-Sh, Csk
10	876006	1	Roller-Smooth	29	ZNN1J000U	16	Nut-Hex, NI
10:99	111-2561	2	Fitting-Grease ●	30	10-11-017	2	Fitting-Straight
10:99	876078	1	Kit-Bearing-Roller, Taper ●	31	134-0047	1	Frame ASM
11	111-9138	2	Seal-Lip, Single	31:2	40-13-010	2	Decal-Warning
12	111-9136	2	Bearing-Ball	32	63-07-027	1	Zerk-Grease, BSP (90 DEG)

● Not illustrated

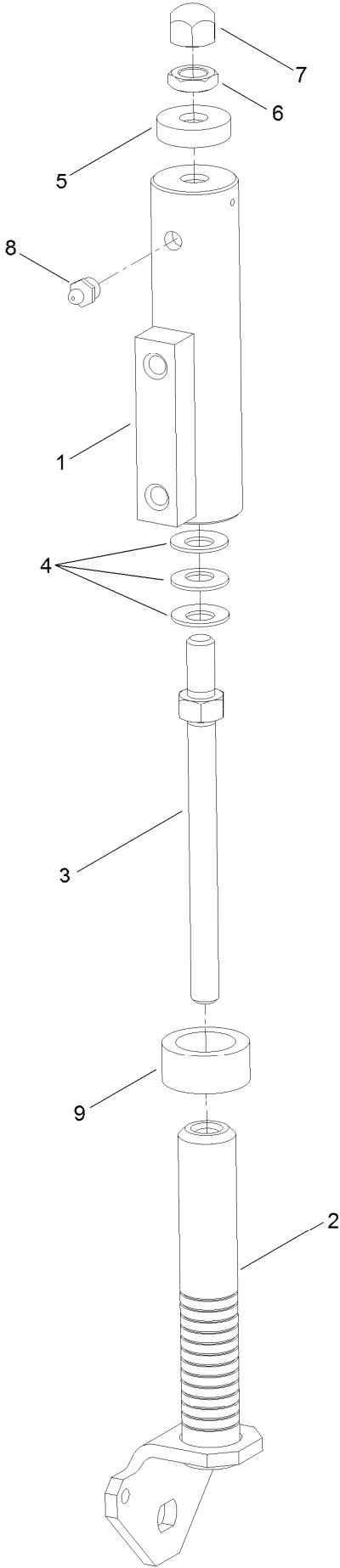
Center Head HOC Adjuster Assembly No. 111-9518



**Center Head HOC Adjuster
Assembly No. 111-9518 (continued)**

<i>Ref.</i>	<i>Part Number</i>	<i>Qty.</i>	<i>Description</i>	<i>Ref.</i>	<i>Part Number</i>	<i>Qty.</i>	<i>Description</i>
1	876064W	2	Roller-Mounting	5	876098	2	Cap-Control, Pressure
2	134-0074	2	Shaft-Adjuster, Roller	6	ZNL1L000U	2	Nut-Hex
3	63-01-960	2	Stud-Roller, Adjusting	7	ZNK1L000U	2	Nut-Dome
4	876099	6	Washer-Spring	8	10-11-017	2	Fitting-Straight

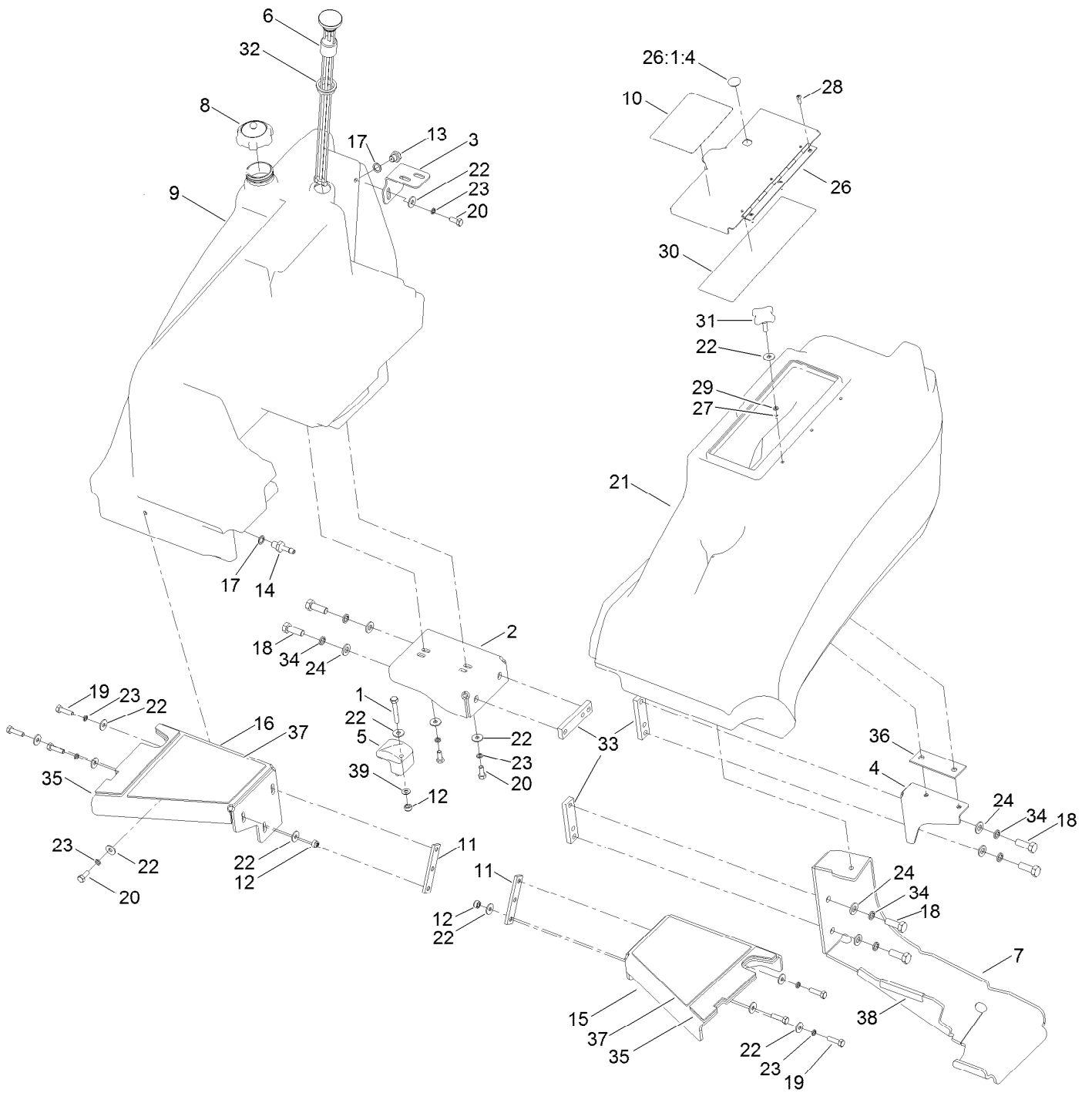
Front Head HOC Adjuster Assembly No. 111-9519



Front Head HOC Adjuster Assembly No. 111-9519 (continued)

<i>Ref.</i>	<i>Part Number</i>	<i>Qty.</i>	<i>Description</i>	<i>Ref.</i>	<i>Part Number</i>	<i>Qty.</i>	<i>Description</i>
1	876064W	2	Roller-Mounting	6	ZNL1L000U	2	Nut-Hex
2	134-0074	2	Shaft-Adjuster, Roller	7	ZNK1L000U	2	Nut-Dome
3	63-01-960	2	Stud-Roller, Adjusting	8	10-11-017	2	Fitting-Straight
4	876099	6	Washer-Spring	9	134-0077	2	Spacer
5	876098	2	Cap-Control, Pressure				

Fuel Tank and Storage Pod Assembly

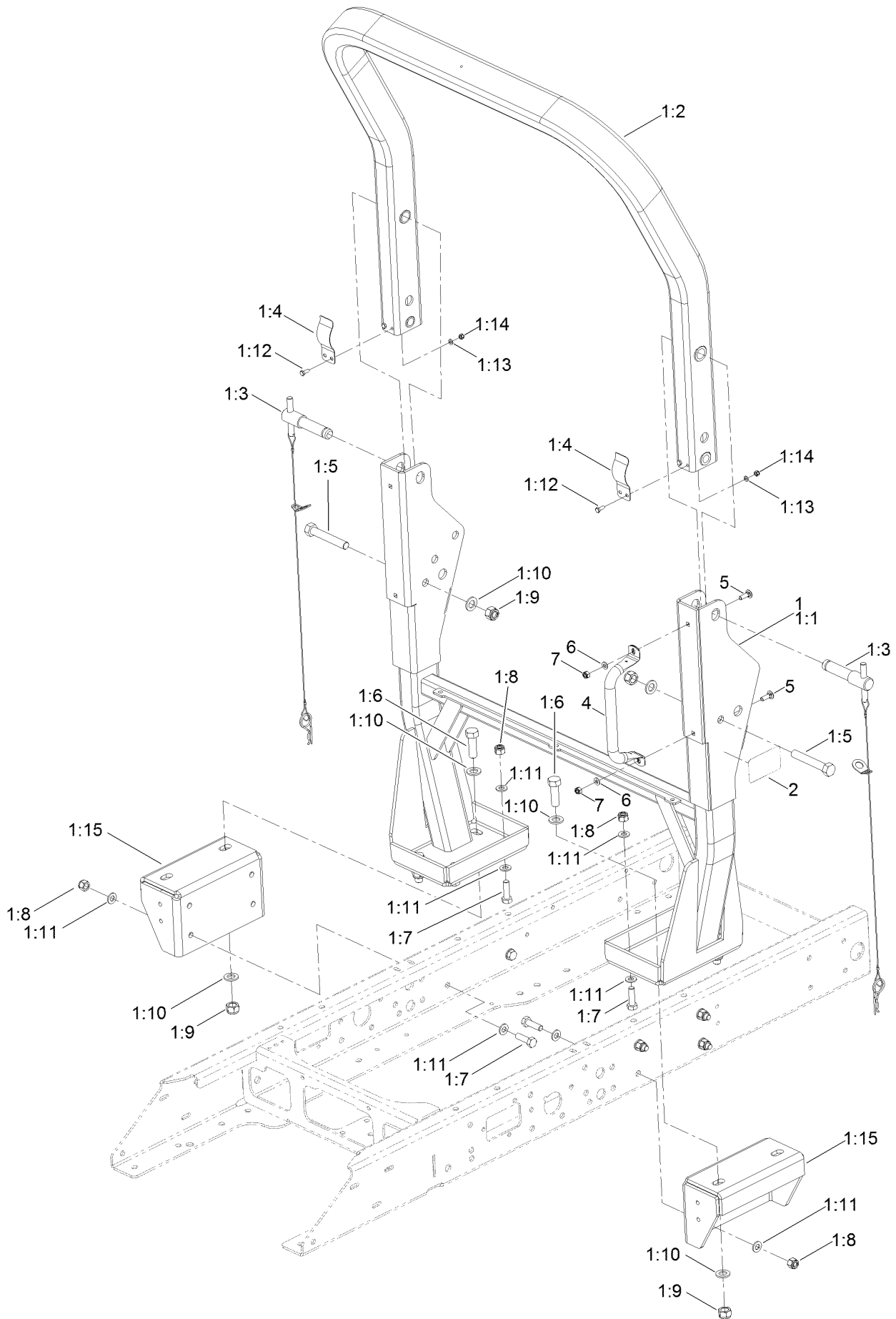


Fuel Tank and Storage Pod Assembly (continued)

<i>Ref.</i>	<i>Part Number</i>	<i>Qty.</i>	<i>Description</i>	<i>Ref.</i>	<i>Part Number</i>	<i>Qty.</i>	<i>Description</i>
1	09565	1	Screw-HH	21	111-3295	1	Pod-Storage
2	134-0248-03	1	Bracket, Fuel Tank	22	09267	16	Washer-Plain
3	111-3453-03	1	Bracket-Fuel Tank, Upper	23	03469	8	Washer-Spring
4	111-3424-03	1	Bracket-Pod, Storage	24	HY09485	6	Washer-Plain
5	107-4543	1	Clamp	26	111-7242-03	1	Cover-Storage
6	104-5603	1	Gauge-Level, Fuel	26:1:4	134-2164	1	Plug-Lid, Storage
7	111-7306-01	1	Step-Foot, Rev	27	09430	3	Nut-Nyloc
8	111-3531	1	Cap-Fuel	28	111-3381	3	Screw-HSBH
9	111-9967	1	Tank-Fuel	29	09470	3	Washer
10	111-5007	1	Decal-Warning, Inclines	30	111-9649	1	Decal-Maintenance
11	111-3281	2	Bar-Nut	31	111-3666	3	Handwheel
12	09441	3	Nut-Hex, NI	32	95-8972	1	Grommet
13	910352	1	Pipe-Return, Fuel	33	111-4490	3	Bar-Nut
14	910351	1	Pipe-Suction, Fuel	34	09599	6	Washer-Lock
15	111-9042-03	1	Support-Platform	35	111-9044	2	Pad-Support, Outer
16	111-9041-03	1	Support-Platform	36	111-5388	1	Pad-Rubber, Storage Pod
17	111-3925	2	Washer-Fiber	37	111-9043	2	Pad-Support, Inner
18	ZDH1L035U	6	Screw-HH	38	50-08-001	1	Edging-Rubber
19	09369	6	Screw-HH	39	09475	1	Washer
20	09368	4	Screw-HH	99	70-07-067	1	Tape-Slip, Anti ●

● Not illustrated

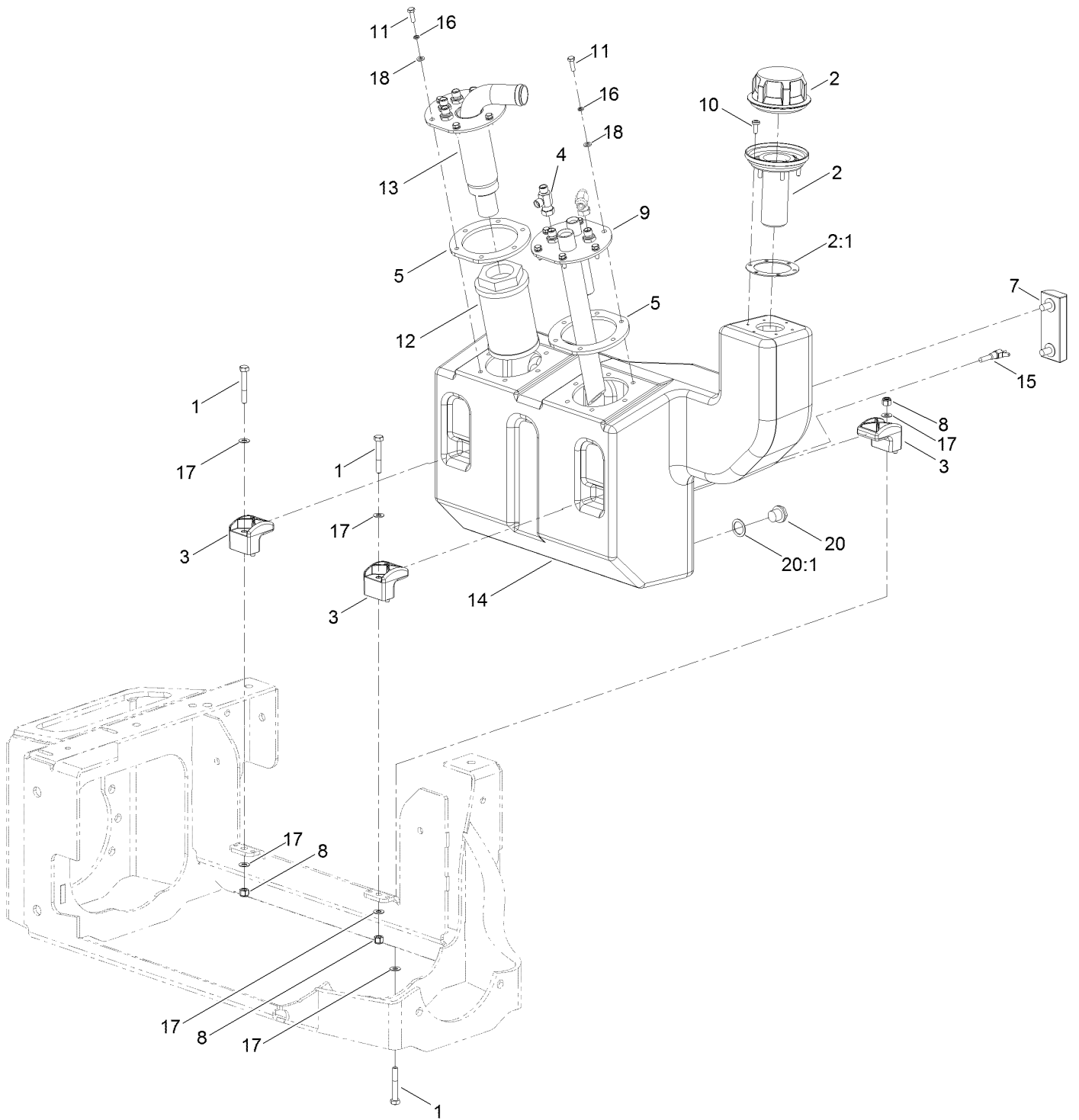
Roll-Over Protection System Assembly



Roll-Over Protection System Assembly (continued)

<i>Ref.</i>	<i>Part Number</i>	<i>Qty.</i>	<i>Description</i>	<i>Ref.</i>	<i>Part Number</i>	<i>Qty.</i>	<i>Description</i>
1	111-8039	1	ROPS ASM	1:11	HY09485	24	Washer-Plain
1:1	111-9047-03	1	ROPS-Lower	1:12	09362	4	Screw-HH
1:2	111-8040-03	1	ROPS-Upper	1:13	09472	4	Washer-Plain
1:3	111-9280	2	Pin Assembly	1:14	09438	4	Nut-Nyloc
1:4	110-5696	2	Spring-Leaf	1:15	111-9065-03	2	Bracket-Chassis, ROPS
1:5	ZBH1P100U	2	Bolt	2	111-0773	2	Decal
1:6	ZDH1P050U	4	Screw-HH	4	134-2022-03	1	Handle-ROPS
1:7	63-11-010	12	Bolt-HH	5	09373	2	Bolt-Coach
1:8	111-9291	12	Nut-Hex, Nyloc	6	ZWP1H000U	2	Washer-Plain
1:9	09456	6	Nut	7	09441	2	Nut-Hex, NI
1:10	09491	10	Washer-Plain				

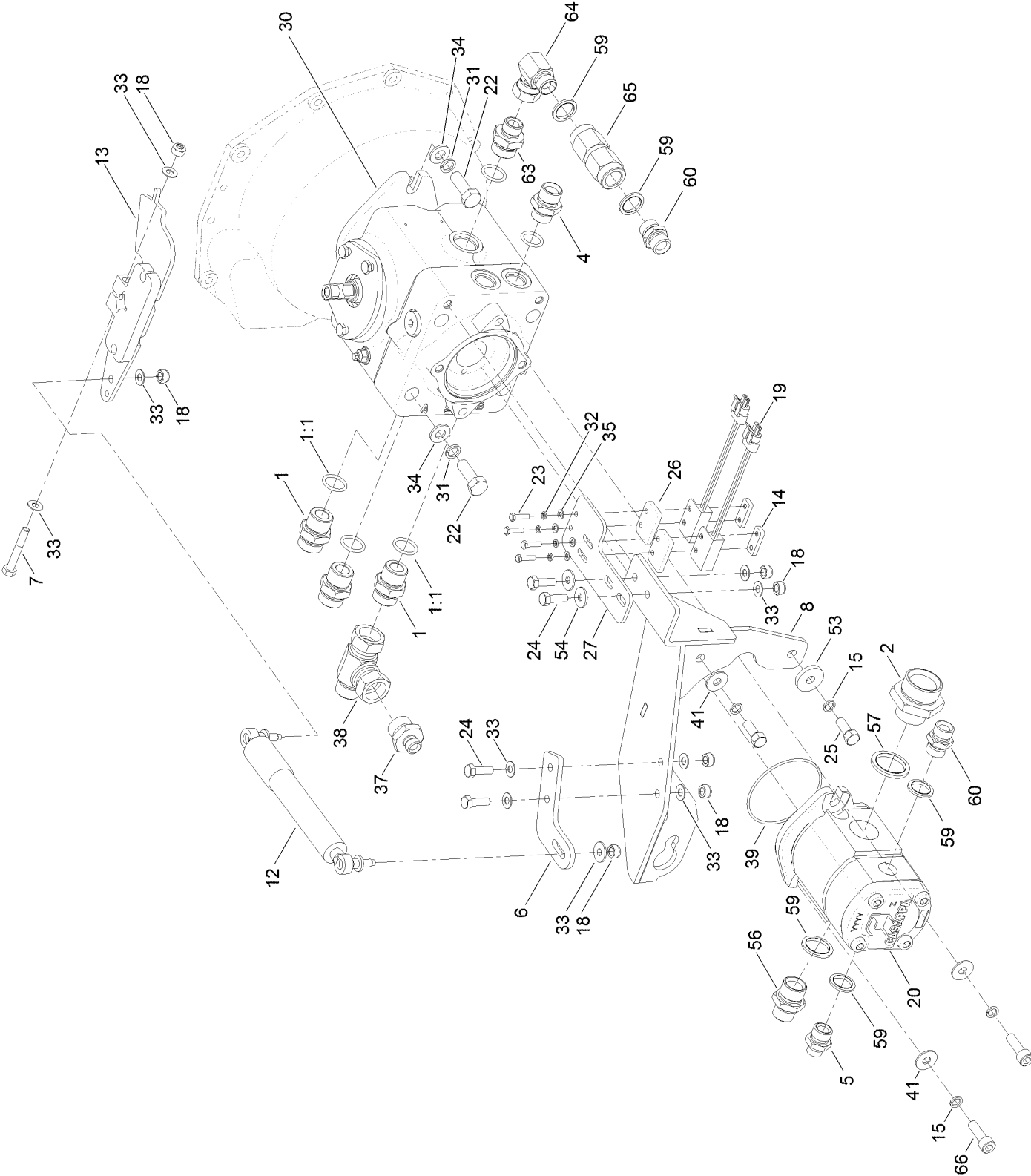
Hydraulic Oil Tank Assembly



Hydraulic Oil Tank Assembly (continued)

<i>Ref.</i>	<i>Part Number</i>	<i>Qty.</i>	<i>Description</i>	<i>Ref.</i>	<i>Part Number</i>	<i>Qty.</i>	<i>Description</i>
1	09565	3	Screw-HH	11	09363	12	Screw-HH
2	HY910601	1	Cap-Breather, Filler	12	10-06-025	1	Filter-Suction
2:1	910648	1	Cap-Gasket, Filler	13	111-9532	1	Flange-Suction
3	107-4543	3	Clamp	14	111-9528	1	Tank-Oil, Hydraulic
4	10-06-083	1	Fitting-Tee	15	940852	1	Switch-Temperature
5	111-9531	2	Gasket-Flange	16	09474	12	Washer-Spring
7	65-06-018	1	Gauge-Level, Oil	17	09475	6	Washer
8	09441	3	Nut-Hex, NI	18	09472	12	Washer-Plain
9	111-9533-03	1	Flange-Return	20	20-06-207	1	Plug-Magnetic
10	09634	6	Screw-PPH, HD	20:1	111-7925	1	Washer-Fiber

Hydraulic Pump Assembly

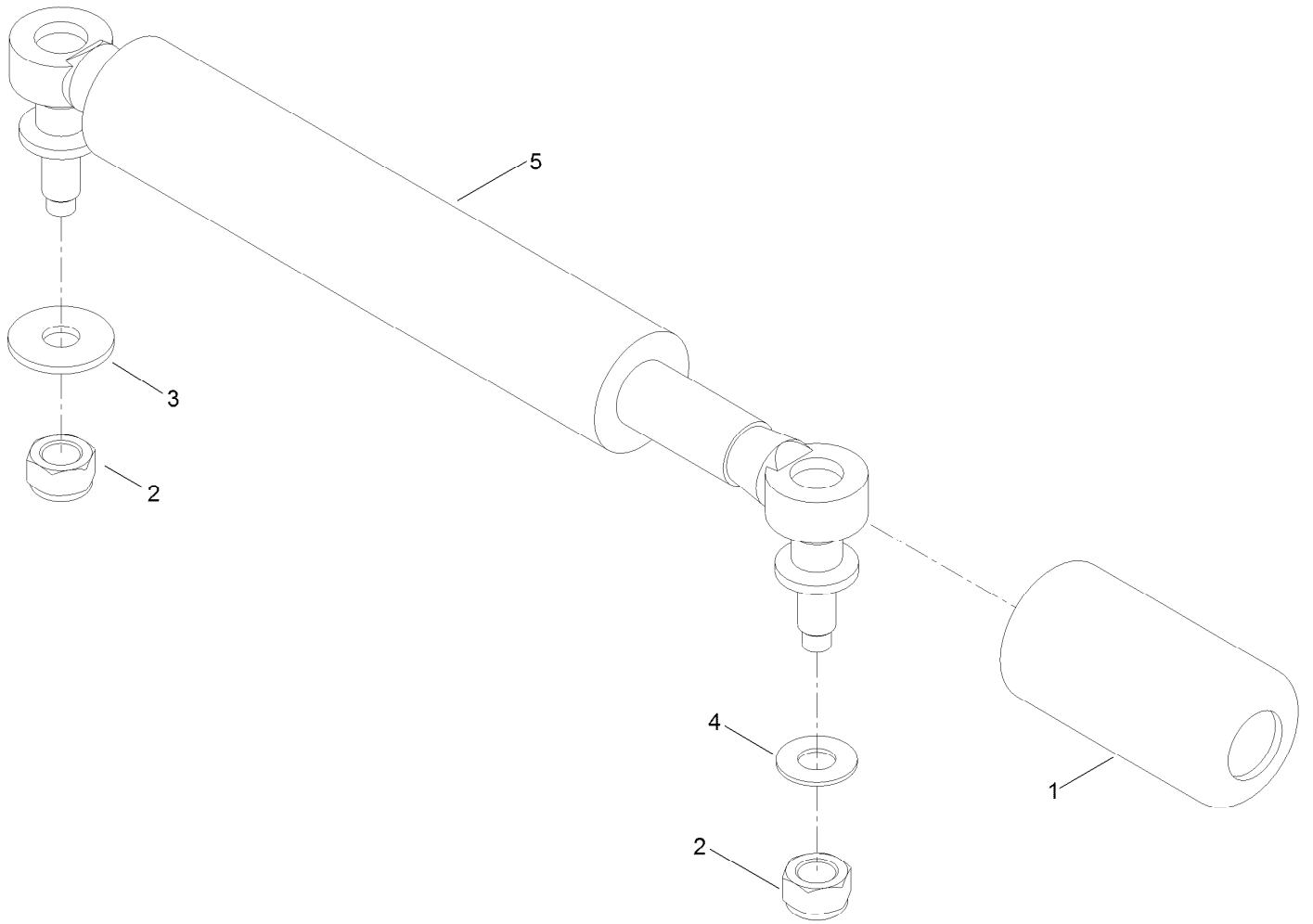


Hydraulic Pump Assembly (continued)

<i>Ref.</i>	<i>Part Number</i>	<i>Qty.</i>	<i>Description</i>	<i>Ref.</i>	<i>Part Number</i>	<i>Qty.</i>	<i>Description</i>
1	70-06-050	3	Adaptor-Boss	30	111-8723	1	Pump-Transmission
1:1	70-06-168	1	Seal-O Ring	31	09599	2	Washer-Lock
2	15-06-109	1	Adaptor	32	09644	4	Washer-Spring
4	111-9107	1	Fitting-Straight	33	09475	9	Washer
5	10-06-043	1	Adaptor	34	HY09485	2	Washer-Plain
6	111-6853-03	1	Adjuster-Damper	35	09257	4	Washer
7	09565	1	Screw-HH	37	20-06-212	1	Adaptor-BSP
8	111-6456-03	1	Bracket-Control, Pump	38	60-06-009	1	Adaptor-Tee
12	111-9548	1	Damper Kit	39	70-06-028	1	O-Ring
13	111-6814	1	Lever-Control, Pump	41	HY03355	3	Washer-Plated
14	111-3336	2	Bar-Switch, Proximity	53	65-01-559	1	Washer-Space
15	09273	4	Washer-Spring	54	09267	3	Washer-Plain
18	09441	7	Nut-Hex, NI	56	950726	1	Adaptor-BSP
19	105-0023	2	Switch-Proximity	57	09-06-214	1	Seal-Dowty
20	111-8424	1	Pump-Tandem	59	10-06-032	5	Seal-Dowty
20:99	111-9632	1	Kit-Seal ●	60	10-06-078	2	Adaptor-BSPP
22	ZDH1L035U	2	Screw-HH	63	70-06-066	1	Adaptor
23	ZDH1E020U	4	Screw-HH	64	111-9766	1	Fitting-Elbow, 90
24	03162	4	Screw-HH	65	111-9111	1	Fitting-Check
25	HY103653	2	Screw-HH	66	111-9168	2	Screw-Sh
26	111-3676	2	Spacer-Switch, Proximity	67	20-06-202	1	Adaptor ●
27	111-3260-03	1	Adjuster-Switches	99	74-07-020	1	Tie-Cable ●

● Not illustrated

Damper Kit Assembly No. 111-9548

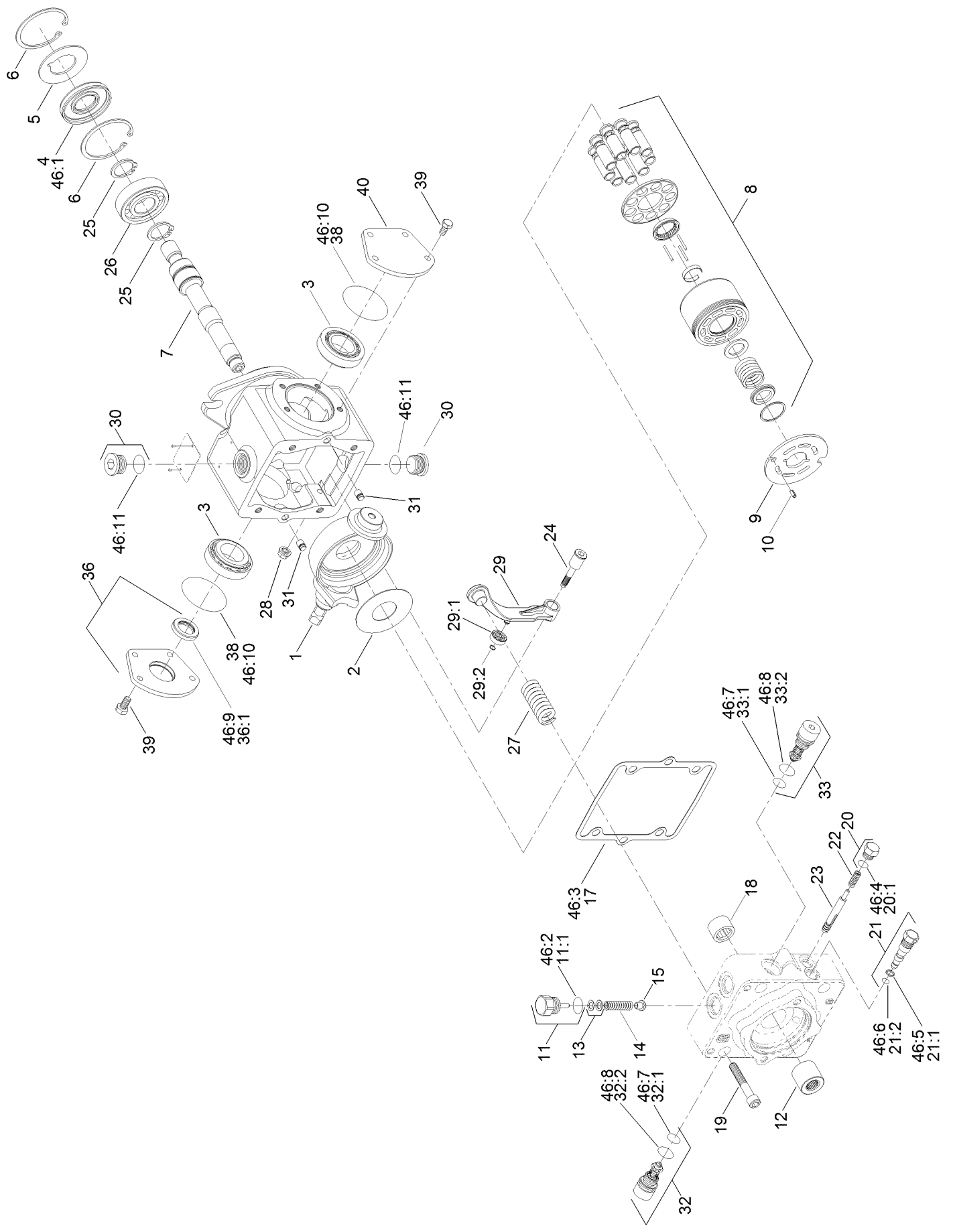


Damper Kit Assembly No. 111-9548 (continued)

<i>Ref.</i>	<i>Part Number</i>	<i>Qty.</i>	<i>Description</i>	<i>Ref.</i>	<i>Part Number</i>	<i>Qty.</i>	<i>Description</i>
1	111-9774	1	Sleeve-Rubber	4	09475	1	Washer
2	09441	2	Nut-Hex, NI	5	111-8425	1	Damper
3	09267	1	Washer-Plain	99	74-07-020	1	Tie-Cable ●

● Not illustrated

Hydraulic Pump Assembly No. 111-8723



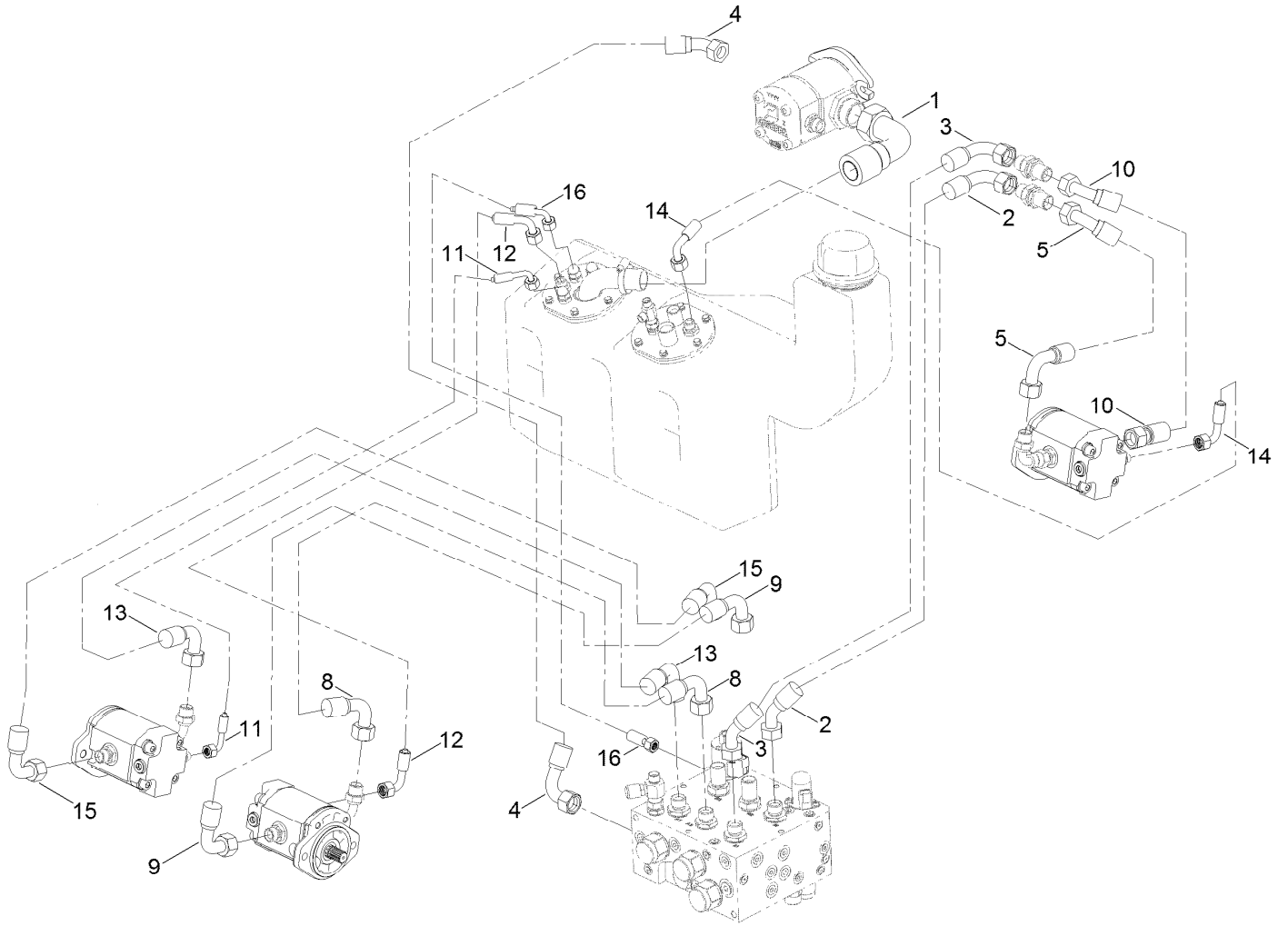
Hydraulic Pump Assembly No. 111-8723 (continued)

<i>Ref.</i>	<i>Part Number</i>	<i>Qty.</i>	<i>Description</i>	<i>Ref.</i>	<i>Part Number</i>	<i>Qty.</i>	<i>Description</i>
1	115-8092	1	Swashplate	28	110-6496	1	Nut-Seal
2	75-0400	1	Plate-Thrust	29	110-6497	1	Neutral Return Arm ASM
3	110-6483	2	Bearing Kit	29:1	110-6494	1	Bearing-Cam
4	110-6471	1	Seal-Lip	29:2	110-3056	1	Ring-Retaining
5	95-4400	1	Washer-Backup	30	69-3130	2	Plug
6	69-3200	2	Ring-Retaining	31	112-0158	2	Pin
7	111-9640	1	Shaft-Auxiliary	32	110-6477	1	Valve-Relief
8	110-6472	1	Cylinder Block Kit ASM	32:1	75-0240	1	O-Ring
9	110-6473	1	Plate-Valve (Clockwise)	32:2	84-0560	1	O-Ring
10	131-3800	1	Pin-Slotted	33	111-6775	1	Valve-Pressure Relief, 300 Bar
11	110-6486	1	Plug-Relief, Charge	33:1	111-4906	1	O-Ring
11:1	28-3570	1	O-Ring	33:2	111-4925	1	O-Ring
12	111-9641	1	Coupling	36	110-6499	1	Trunnion Cover ASM
13	111-4908	1	Shim Kit ASM	36:1	110-6478	1	Seal-Lip
14	110-6474	1	Spring	38	84-0430	2	O-Ring
15	110-6475	1	Poppet	39	112-0151	8	Screw
17	110-6476	1	Gasket-Cap, End	40	84-0450	1	Cover-Trunnion
18	75-0500	1	Bearing-Needle	46	110-6481	1	Seal Kit ●
19	110-6489	4	Screw	46:1	110-6471	1	Seal-Lip
20	94-9415	1	Plug ASM	46:2	28-3570	1	O-Ring
20:1		1	O-Ring ■	46:3	110-6476	1	Gasket-Cap, End
21	107-4364	1	Bypass Valve ASM	46:4	131-8631	2	O-Ring
21:1	25-2630	1	Ring-Back Up	46:5	25-2630	1	Ring-Back Up
21:2	110-6498	1	O-Ring	46:6	110-6498	1	O-Ring
22	111-4917	2	Spring-Valve, Loop (Flushing)	46:7	75-0240	2	O-Ring
23	110-6492	1	Spool-Loop, Flush	46:8	84-0560	2	O-Ring
24	110-6493	1	Pivot-Return, Neutral	46:9	110-6478	1	Seal-Lip
25	69-3170	2	Ring-Retaining	46:10	84-0430	2	O-Ring
26	75-0460	1	Bearing-Ball	46:11	131-8614	2	O-Ring
27	110-6495	1	Spring-Return, Neutral				

● Not illustrated

■ Not serviced separately

Hydraulic Cutter Hose Assembly



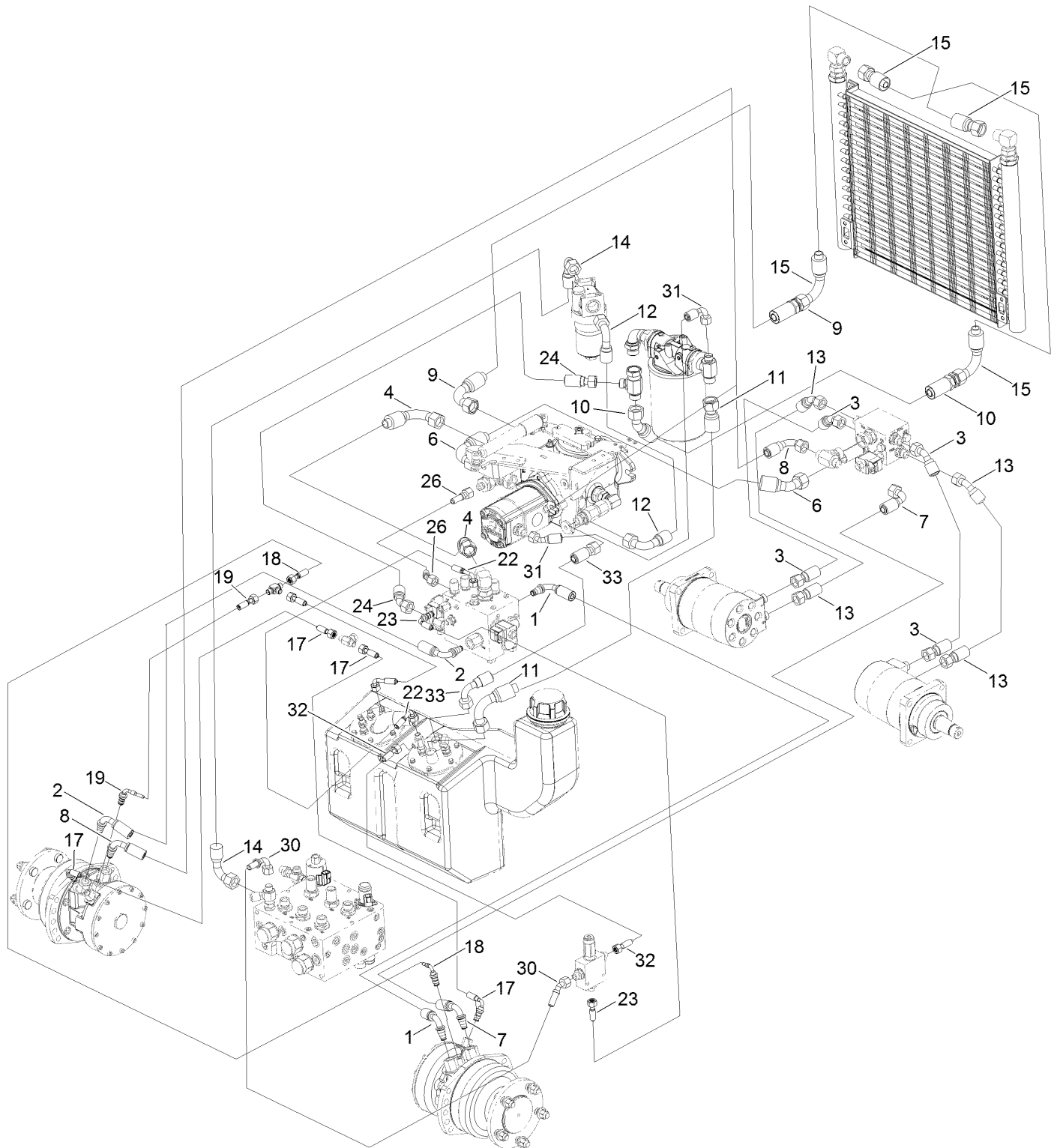
Hydraulic Cutter Hose Assembly (continued)

<i>Ref.</i>	<i>Part Number</i>	<i>Qty.</i>	<i>Description</i>	<i>Ref.</i>	<i>Part Number</i>	<i>Qty.</i>	<i>Description</i>
1	111-5486	1	Hose	11	111-9324	1	Hose
2	111-9193	1	Hose	12	111-9830	1	Hose
3	111-9192	1	Hose	13	111-9187	1	Hose
4	111-9191	1	Hose	14	111-9829	1	Hose
5	111-9189	1	Hose	15	111-9186	1	Hose
8	111-9184	1	Hose	16	111-9325	1	Hose
9	111-9185	1	Hose	16:2		1	Coupling-Straight ●■
10	111-9190	1	Hose	16:2:1	134-0279	1	O-Ring ●

● Not illustrated

■ Not serviced separately

Hydraulic Transmission Hose Assembly



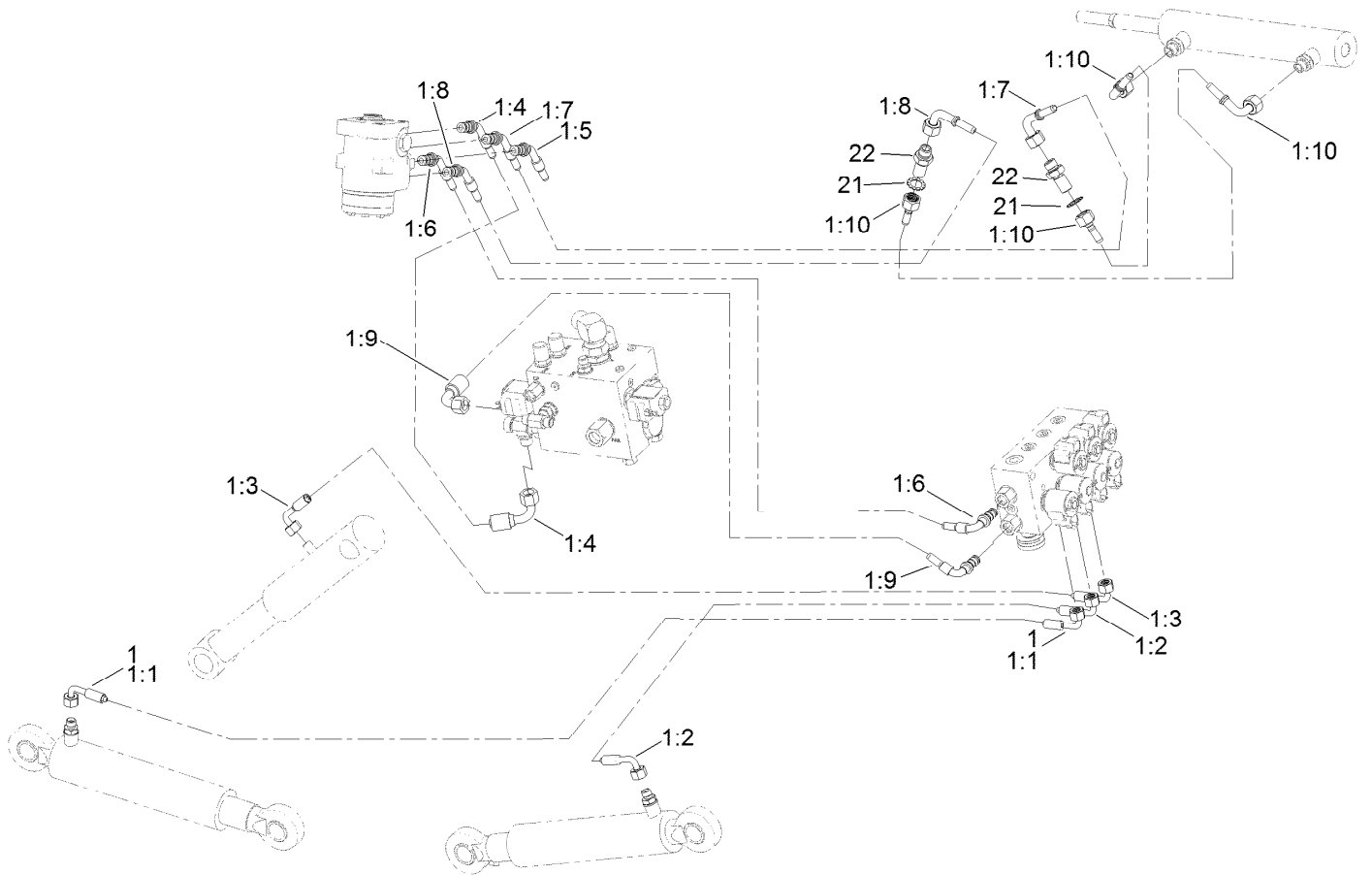
Hydraulic Transmission Hose Assembly (continued)

<i>Ref.</i>	<i>Part Number</i>	<i>Qty.</i>	<i>Description</i>	<i>Ref.</i>	<i>Part Number</i>	<i>Qty.</i>	<i>Description</i>
1	111-4473	1	Hose	18	111-3606	1	Hose
2	111-4474	1	Hose	18:3:1	134-0279	1	O-Ring ●
3	111-3576	2	Hose	19	111-9271	1	Hose
4	111-4475	1	Hose	19:3:1	134-0279	1	O-Ring ●
6	111-9765	1	Hose	22	111-6163	1	Hose
7	111-9204	1	Hose	23	111-9207	1	Hose
8	111-9205	1	Hose	23:2		1	Coupling-Straight ●■
9	111-9199	1	Hose	23:2:1	134-0279	1	O-Ring ●
10	111-9202	1	Hose	24	111-9183	1	Hose
11	111-9203	1	Hose	26	111-4485	1	Hose
12	111-9188	1	Hose	30	111-9200	1	Hose
13	111-3595	2	Hose	31	111-9201	1	Hose
14	111-6950	1	Hose	32	111-9196	1	Hose
15	111-9206	2	Hose	32:2		1	Coupling-Straight ●■
17	111-4483	2	Hose	32:2:1	134-0279	1	O-Ring ●
17:3:1	134-0279	1	O-Ring ●	33	111-9209	1	Hose

● Not illustrated

■ Not serviced separately

Lift Hydraulic Hose Routing Assembly



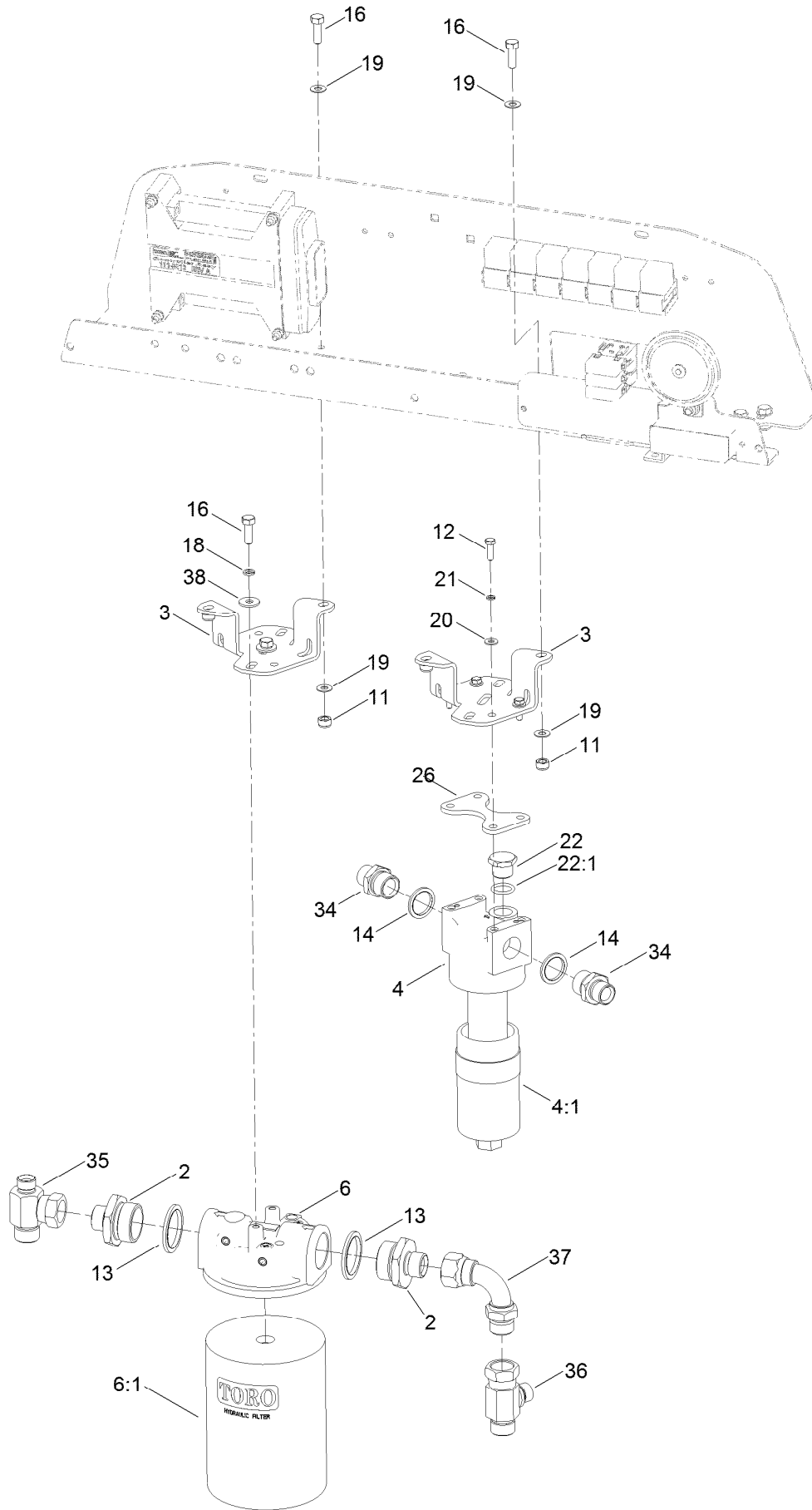
Lift Hydraulic Hose Routing Assembly (continued)

<i>Ref.</i>	<i>Part Number</i>	<i>Qty.</i>	<i>Description</i>	<i>Ref.</i>	<i>Part Number</i>	<i>Qty.</i>	<i>Description</i>
1		1	Hosekit Assembly ■	1:6:5	111-3509	2	Adaptor ●
1:1	111-3602	1	Hose	1:7	111-7538	1	Hose
1:2	111-3603	1	Hose	1:8	111-7539	1	Hose
1:3	111-3611	1	Hose	1:9	111-3618	1	Hose
1:4	111-3613	1	Hose	1:10	111-7537	2	Hose
1:5	111-3614	1	Hose	21	111-5622	2	Washer-Lock, Serrated
1:6	111-3615	1	Hose	22	30-06-208	2	Adaptor

● Not illustrated

■ Not serviced separately

Filter Assembly

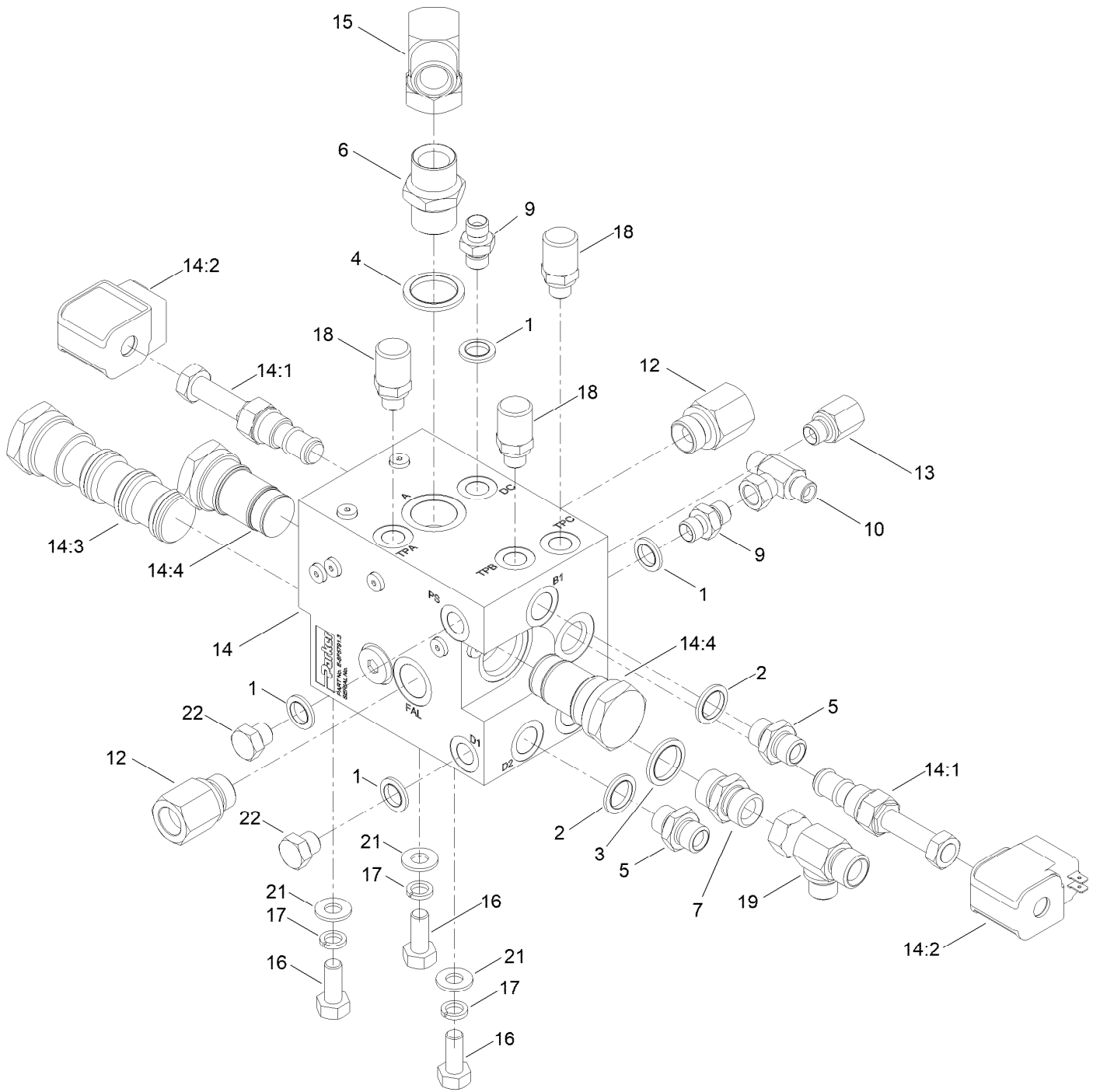


Filter Assembly (continued)

<i>Ref.</i>	<i>Part Number</i>	<i>Qty.</i>	<i>Description</i>	<i>Ref.</i>	<i>Part Number</i>	<i>Qty.</i>	<i>Description</i>
2	25-06-050	2	Adaptor	18	03469	2	Washer-Spring
3	111-9856-03	2	Bracket, Filter-Return	19	09475	8	Washer
4	924708	1	Pressure Filter ASM	20	09261	4	Washer-Plain
4:1	924709	1	Element-Filter, Pressure	21	09474	4	Washer-Spring
6	111-7508	1	Return Filter ASM	22	111-3926	1	Plug
6:1	924692	1	Element-Filter	22:1	63-06-111	1	Seal-O Ring
11	09441	4	Nut-Hex, NI	26	111-4843-03	1	Spacer-Oil Filter
12	09363	4	Screw-HH	34	994626	2	Adaptor-BSPP
13	10-06-035	2	Seal-Dowty	35	111-9110	1	Fitting-Tee
14	10-06-033	2	Seal-Dowty	36	111-9112	1	Fitting-Tee
16	03162	4	Screw-HH	37	111-9113	1	Fitting-Elbow-90
17	09368	2	Screw-HH ●	38	09267	2	Washer-Plain

● Not illustrated

Hydraulic Manifold Assembly

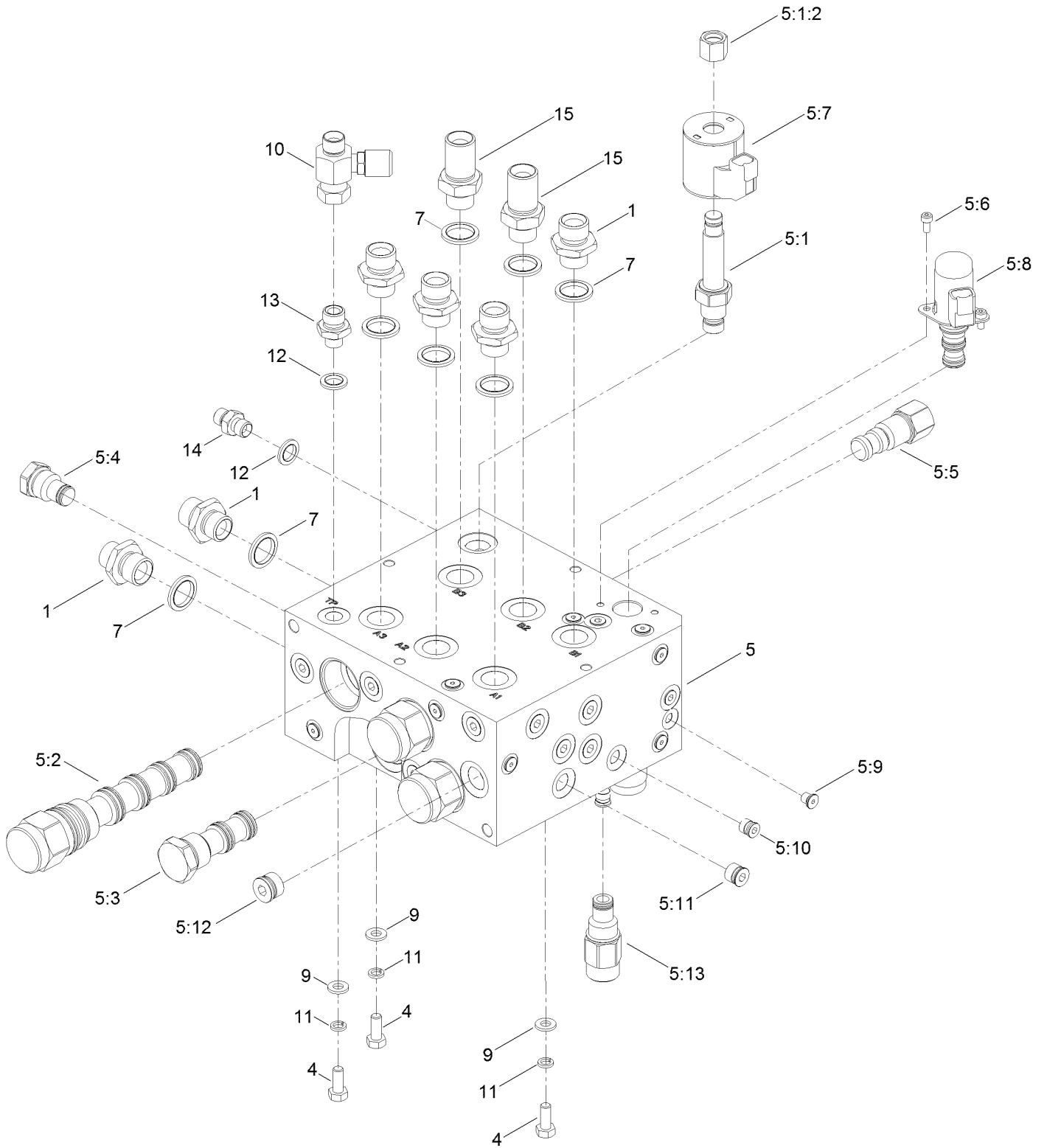


Hydraulic Manifold Assembly (continued)

<i>Ref.</i>	<i>Part Number</i>	<i>Qty.</i>	<i>Description</i>	<i>Ref.</i>	<i>Part Number</i>	<i>Qty.</i>	<i>Description</i>
1	10-06-030	4	Seal-Dowty	14:3	111-4466	1	Valve-Flow, Divider/Combiner
2	10-06-031	2	Seal-Dowty	14:3:1	111-7188	1	Seal Kit ●
3	10-06-032	1	Seal-Dowty	14:4	111-4467	2	Valve-Diverter
4	10-06-033	1	Seal-Dowty	14:4:1	134-0259	1	Seal Kit ●
5	10-06-042	2	Adaptor-BSPP	14:7	106-1024	10	Plug-Leak, Zero ●
6	10-06-044	1	Adaptor-BSP	14:8	106-1027	1	Plug ●
7	10-06-078	1	Adaptor-BSPP	14:99	910629	1	Valve-Shuttle ●
9	10-06-085	2	Adaptor	14:99:1	910635	1	Seal Kit ●
10	60-06-011	1	Tee-BSP	15	111-4443	1	Elbow-BSP
12	111-3529	2	Adaptor	16	09395	3	Screw-HH
13	111-3538	1	Adaptor	17	09480	3	Washer-Lock
14	111-3993	1	Manifold-Front, Transmission	18	910615	3	Point-BSPP
14:1	111-3533	2	Valve-Solenoid	19	953732	1	Tee-BSP
14:1:1	134-0258	1	Seal Kit ●	21	ZWQ1J000U	3	Washer-Plain
14:2	910627	2	Coil-Solenoid	22	30-06-200	2	Plug-HYD

● Not illustrated

Cutter Manifold Assembly

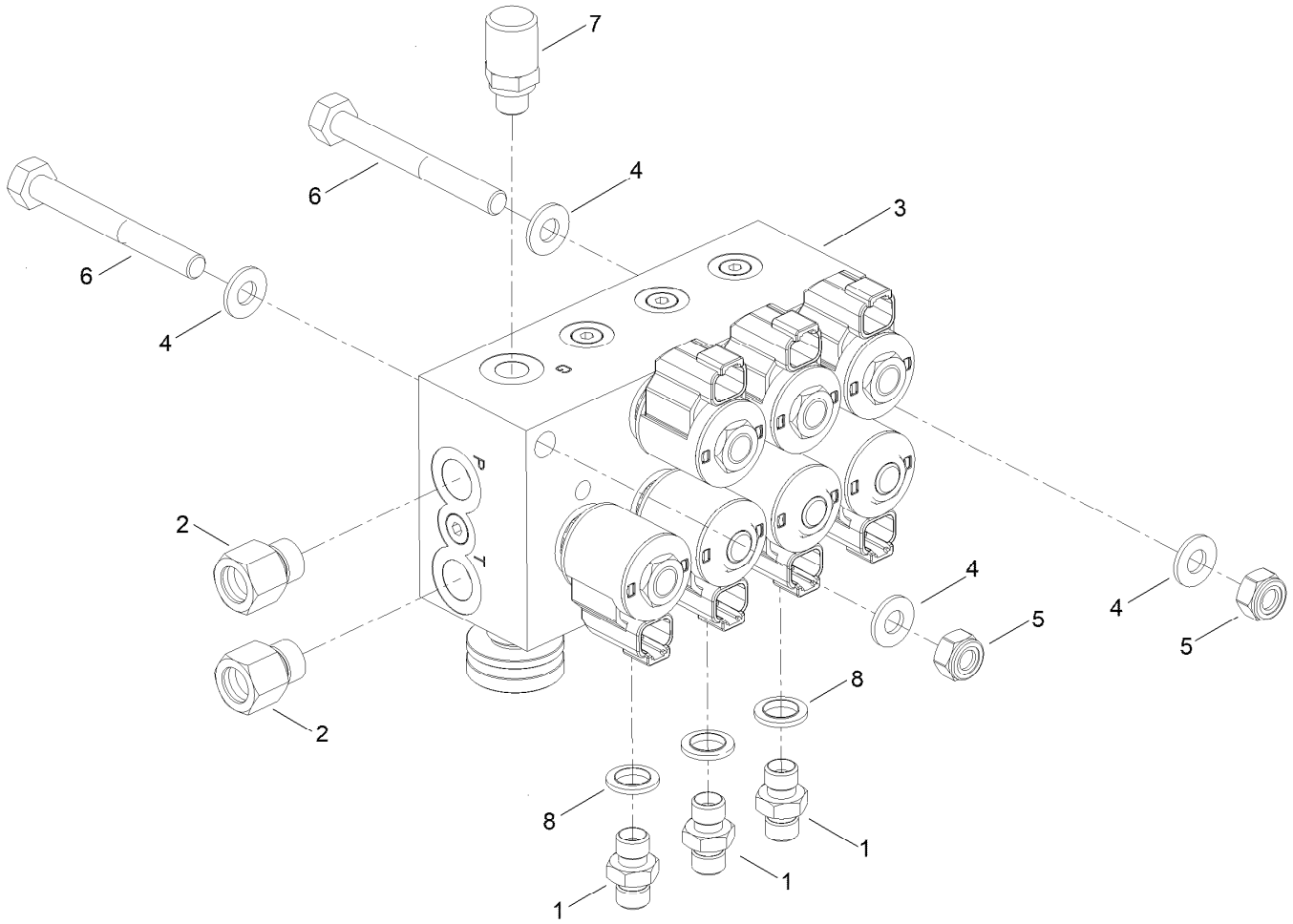


Cutter Manifold Assembly (continued)

<i>Ref.</i>	<i>Part Number</i>	<i>Qty.</i>	<i>Description</i>	<i>Ref.</i>	<i>Part Number</i>	<i>Qty.</i>	<i>Description</i>
1	950726	6	Adaptor-BSP	5:8	125-7554	3	Valve-Solenoid
4	09368	3	Screw-HH	5:8:1	125-7561	1	Seal Kit ●
5	111-8420	1	Manifold-Control, Cutters	5:9	106-1024	14	Plug-Leak, Zero
5:1	111-6825	1	Pressure-Proportional, Relief Valve	5:10	106-1025	7	Plug-HYD
5:1:1	111-6826	1	Seal Kit ●	5:11	106-1026	14	Plug-HYD
5:1:2	130-8180	1	Nut-Coil (9/16-24 Unef-2B)	5:12	106-1027	2	Plug
5:2	111-6829	3	Valve-Spool, Piloted	5:13	111-9763	2	Plug-Cavity
5:2:1	111-6830	1	Seal Kit ●	5:13:1	107-7813	1	Seal Kit ●
5:3	111-8421	1	Plug-Cavity	7	10-06-032	8	Seal-Dowty
5:3:1	110-6111	1	Seal Kit ●	9	ZWP1H000U	3	Washer-Plain
5:4	111-8422	1	Plug-Cavity	10	111-9118	1	Fitting-Test
5:4:1	107-7813	1	Seal Kit	11	03469	3	Washer-Spring
5:5	111-6832	1	Logic Element-Vented	12	10-06-030	2	Seal-Dowty
5:5:1	111-6827	1	Seal Kit ●	13	50-06-009	1	Adaptor-BSP
5:6	115-8733	6	Screw-HSH	14	10-06-085	1	Adaptor
5:7	119-4619	1	Coil-Solenoid	15	111-9517	2	Fitting-Straight

● Not illustrated

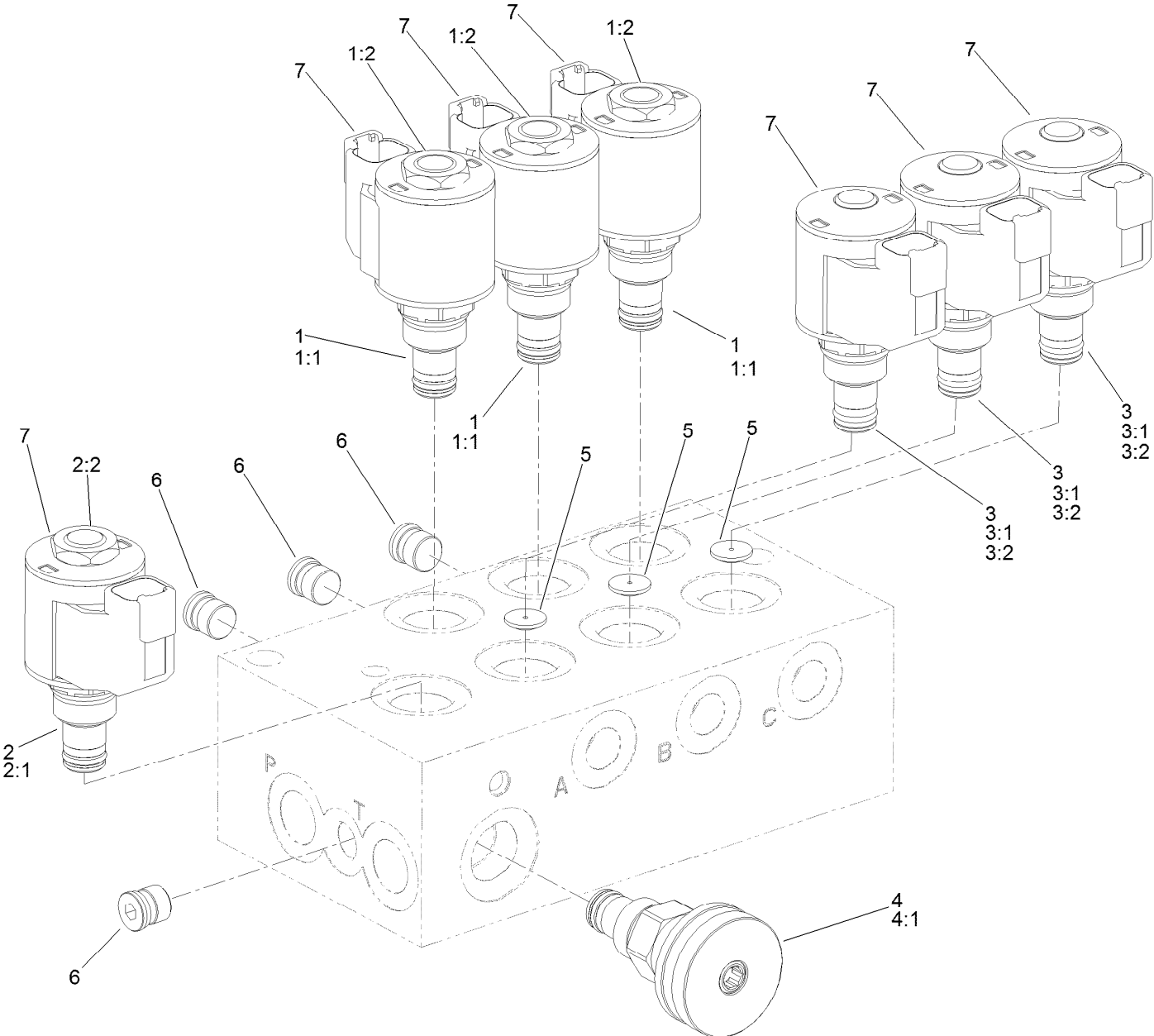
Lift Manifold Assembly



Lift Manifold Assembly (continued)

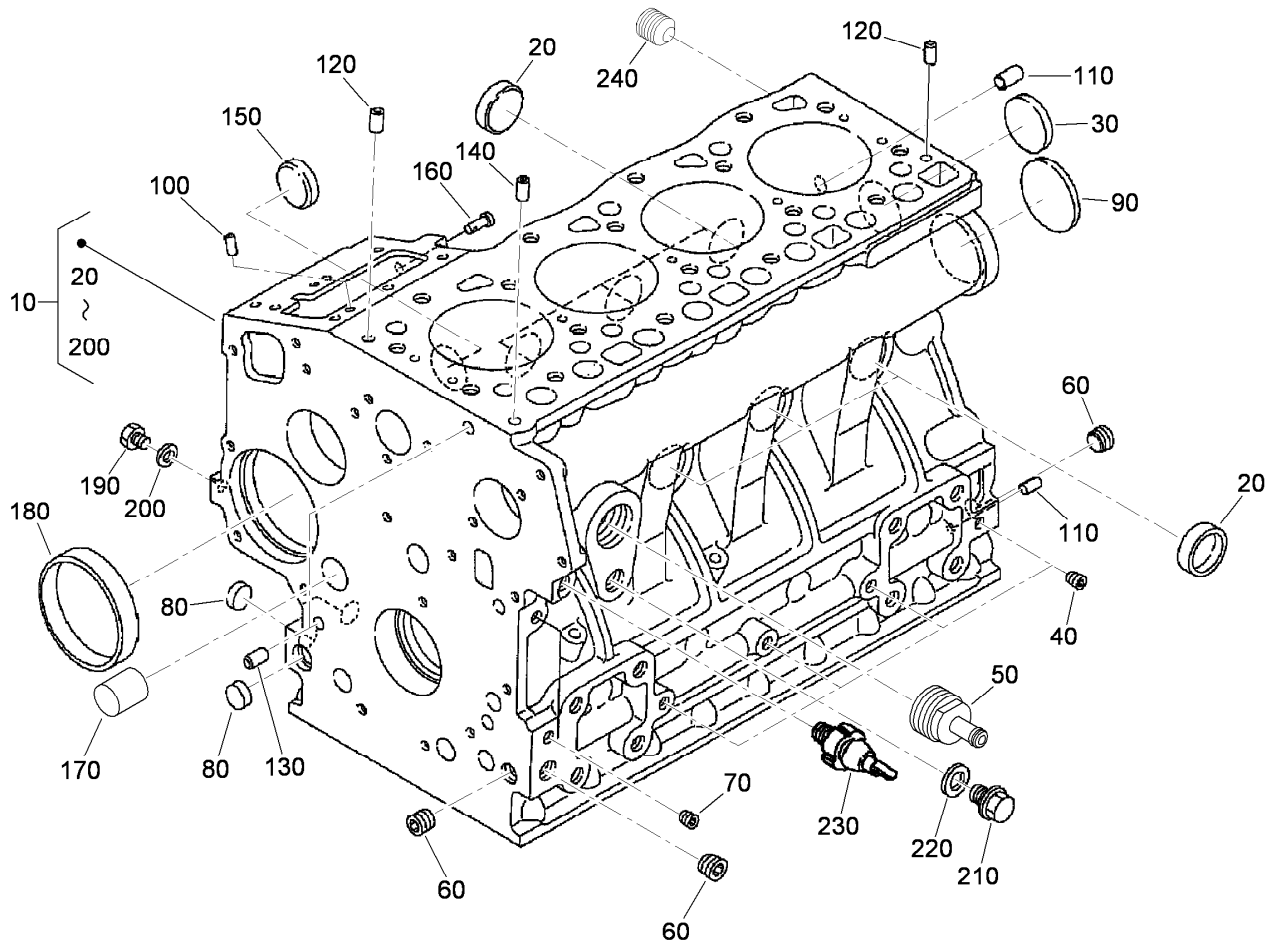
<i>Ref.</i>	<i>Part Number</i>	<i>Qty.</i>	<i>Description</i>	<i>Ref.</i>	<i>Part Number</i>	<i>Qty.</i>	<i>Description</i>
1	10-06-085	3	Adaptor	5	ZNN1J000U	2	Nut-Hex, NI
2	111-3509	2	Adaptor	6	ZBH1J090U	2	Screw-HH
3	111-8419	1	Manifold-Control, Lift	7	910615	1	Point-BSPP
4	ZWQ1J000U	4	Washer-Plain	8	10-06-030	3	Seal-Dowty

Lift Control Manifold Assembly No. 111-8419



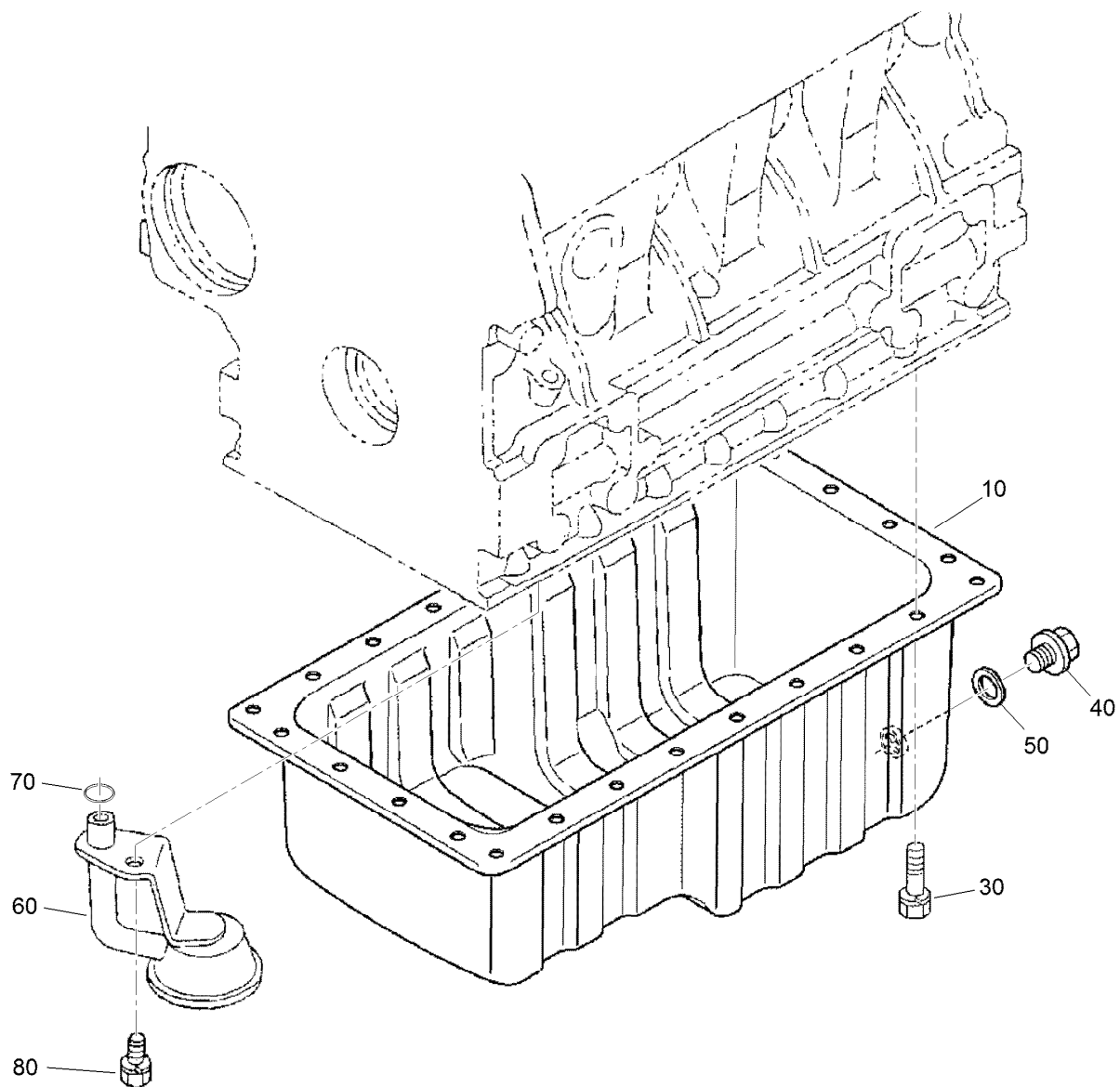
Lift Control Manifold Assembly No. 111-8419 (continued)

<i>Ref.</i>	<i>Part Number</i>	<i>Qty.</i>	<i>Description</i>	<i>Ref.</i>	<i>Part Number</i>	<i>Qty.</i>	<i>Description</i>
1	111-9623	3	Valve-Solenoid	3:1	105-9156	1	Seal Kit
1:1	107-7527	1	Seal Kit	3:2	110-2634	1	Nut-Coil
1:2	110-2634	1	Nut-Coil	4	111-5513	1	Valve-Needle, Weight
2	111-9624	1	Valve-Solenoid	4:1	107-7527	1	Seal Kit
2:1	105-9156	1	Seal Kit	5	111-9625	3	Orifice-Flow, Control
2:2	107-7812	1	Nut-Solenoid	6	106-1025	4	Plug-HYD
3	112-9206	3	Solenoid Valve ASM	7	112-0197	7	E Coil-12V DC



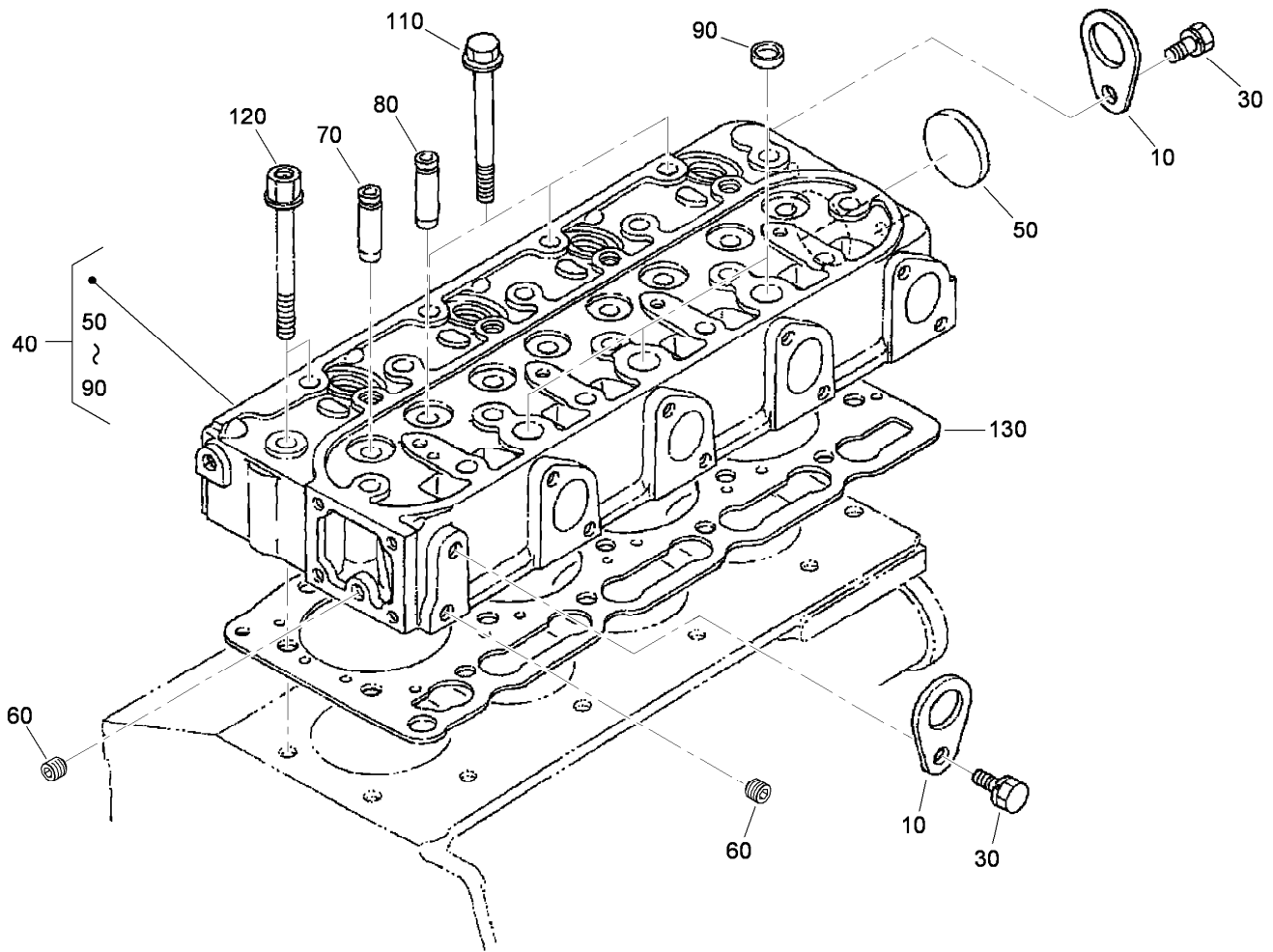
Crankcase Assembly

<i>Ref.</i>	<i>Part Number</i>	<i>Qty.</i>	<i>Description</i>
10	115-4115	1	Crankcase ASM
20	98-9398	6	Cap-Sealing
30	98-7539	1	Cap-Sealing
40	98-7540	4	Plug
50	99-8347	1	Joint-Pipe, Drain
60	98-9597	3	Plug
70	98-7487	2	Plug
80	98-9379	3	Plug-Expansion
90	98-9668	1	Plug-Expansion
100	98-9375	1	Pin-Straight
110	98-9377	1	Pin-Straight
120	98-9376	2	Pin-Straight
130	98-9387	2	Pin-Pipe
140	98-9539	1	Pin-Pipe
150	98-9599	1	Plug
160	105-3796	1	Pin-Spring, Start
170	98-9675	1	Plug
180	98-9656	1	Bushing-Governor, Gear
190	98-7507	1	Plug
200	98-7428	1	Gasket
210	99-3447	1	Plug
220	106-7056	1	Gasket
230	98-9416	1	Switch-Oil
240	98-9444	1	Plug



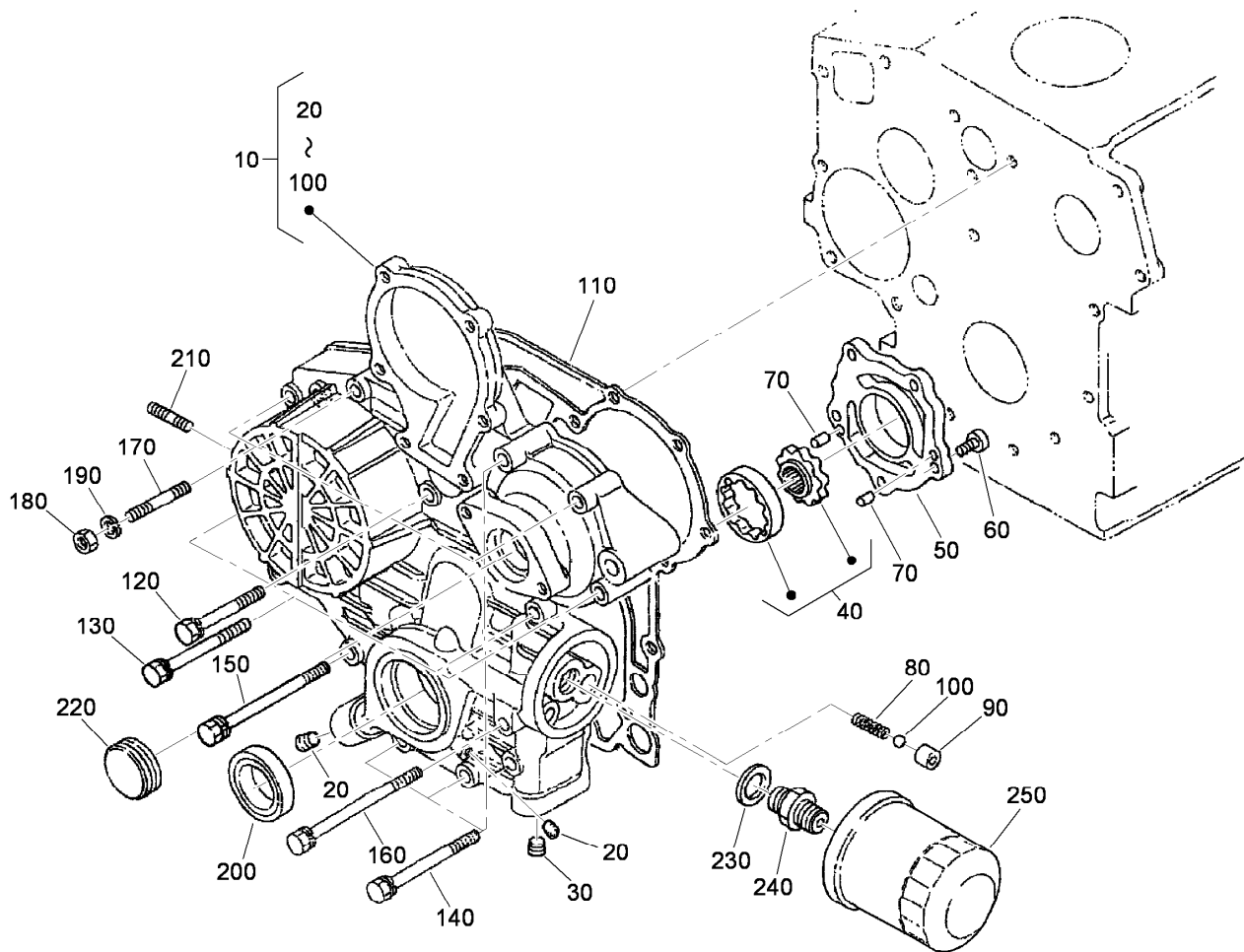
Oil Pan Assembly

<i>Ref.</i>	<i>Part Number</i>	<i>Qty.</i>	<i>Description</i>
10	112-0186	1	Oil Pan ASM
30	98-9351	26	Bolt
40	114-8151	1	Plug-Drain
50	98-7524	1	Gasket
60	112-7003	1	Head-Filter, Oil
70	105-3776	1	O-Ring
80	98-7526	1	Bolt



Cylinder Head Assembly

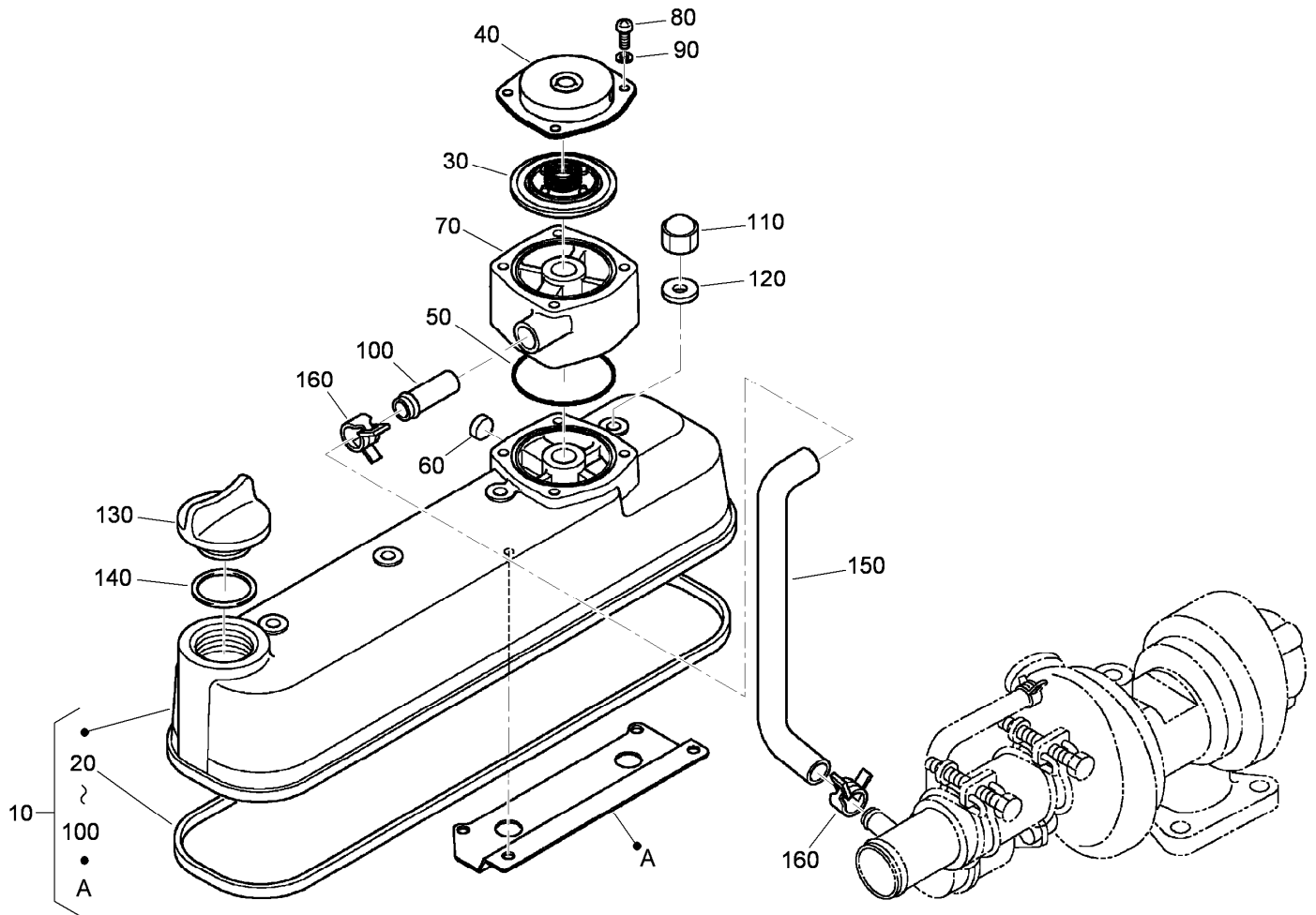
<i>Ref.</i>	<i>Part Number</i>	<i>Qty.</i>	<i>Description</i>
10	98-7531	2	Hook-Engine
30	100-9195	2	Bolt
40	108-2854	1	Cylinder Head ASM
50	105-3705	1	Cap-Sealing
60	98-7540	2	Plug
70	107-9066	4	Guide-Valve, Inlet
80	107-9067	4	Guide-Valve, Exhaust
90	98-9389	3	Cap-Sealing
110	98-9479	16	Bolt-Head, Cylinder
120	98-9647	2	Bolt-Head, Cylinder
130	108-2855	1	Gasket-Head, Cylinder



Gear Case Assembly

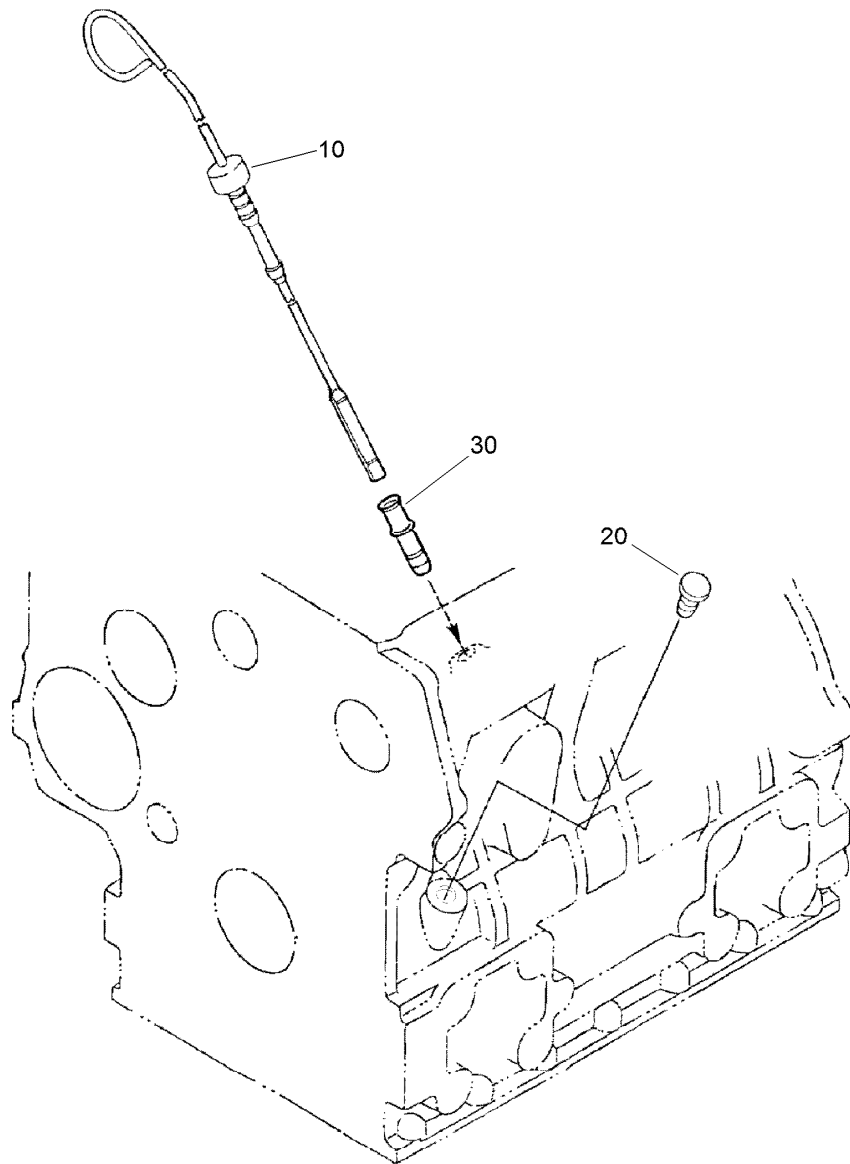
<i>Ref.</i>	<i>Part Number</i>	<i>Qty.</i>	<i>Description</i>
10	115-4111	1	Gear Case ASM
20	98-9598	5	Plug
30	98-7487	1	Plug
40	98-9540	1	Oil Pump Rotor ASM
50	107-9069	1	Cover-Pump, Oil
60	107-9071	1	Screw
70	107-9072	1	Pin-Straight
80	98-9544	1	Spring
90	98-9543	1	Seat-Valve
100	98-9380	1	Ball
110	98-9633	1	Gasket-Case, Gear
120	98-7496	3	Bolt
130	105-3797	4	Bolt

<i>Ref.</i>	<i>Part Number</i>	<i>Qty.</i>	<i>Description</i>
140	98-9356	2	Bolt
150	107-9074	1	Bolt
160	98-9586	1	Bolt
170	105-3709	1	Stud
180	98-7572	1	Nut
190	98-7699	1	Washer-Spring
200	98-9482	1	Seal-Oil
210	105-3710	2	Stud
220	98-9641	1	Cover-Case, Gear
230	98-9727	1	Collar
240	104-5159	1	Holder ASM
250	108-3841	1	Filter-Oil



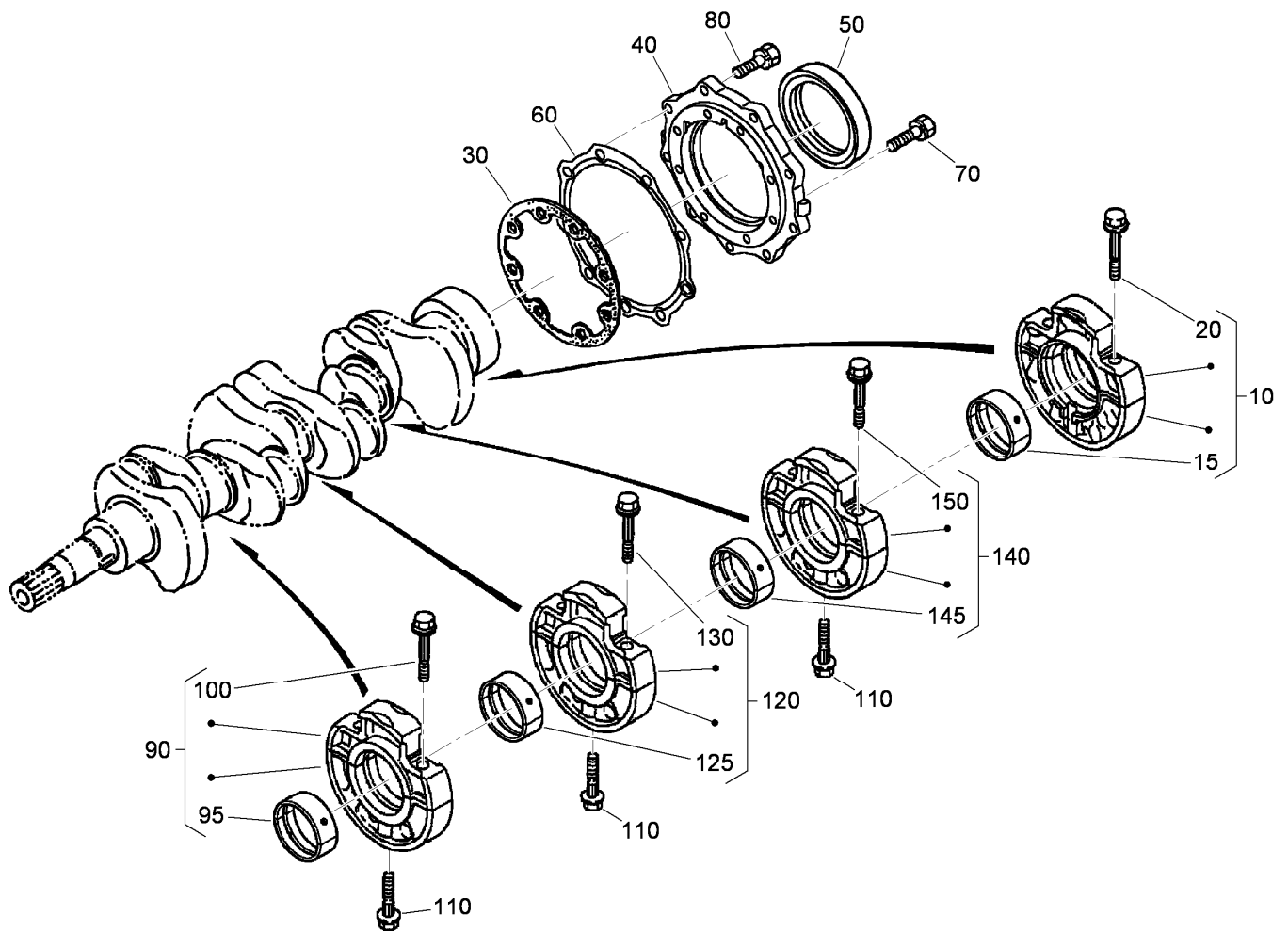
Cylinder Head Cover Assembly

<i>Ref.</i>	<i>Part Number</i>	<i>Qty.</i>	<i>Description</i>
10	115-3041	1	Cylinder Head Cover ASM
20	105-3712	1	Gasket-Cover, Head
30	110-3715	1	Valve-Breather
40	110-3714	1	Cover-Breather
50	110-3846	1	O Ring-Breather
60	115-3042	1	Cap-Sealing
70	115-3043	1	Spacer-Breather
80	115-3044	4	Screw-Pan Head
90	100-2204	4	Washer-Spring
100	98-7766	1	Pipe-Return, Water
110	98-9455	4	Nut-Cap
120	98-9454	4	Gasket
130	107-9075	1	Plug-Filler, Oil
140	99-3446	1	O-Ring
150	115-4119	1	Tube-Breather, Turbo
160	108-2859	2	Clamp-Hose



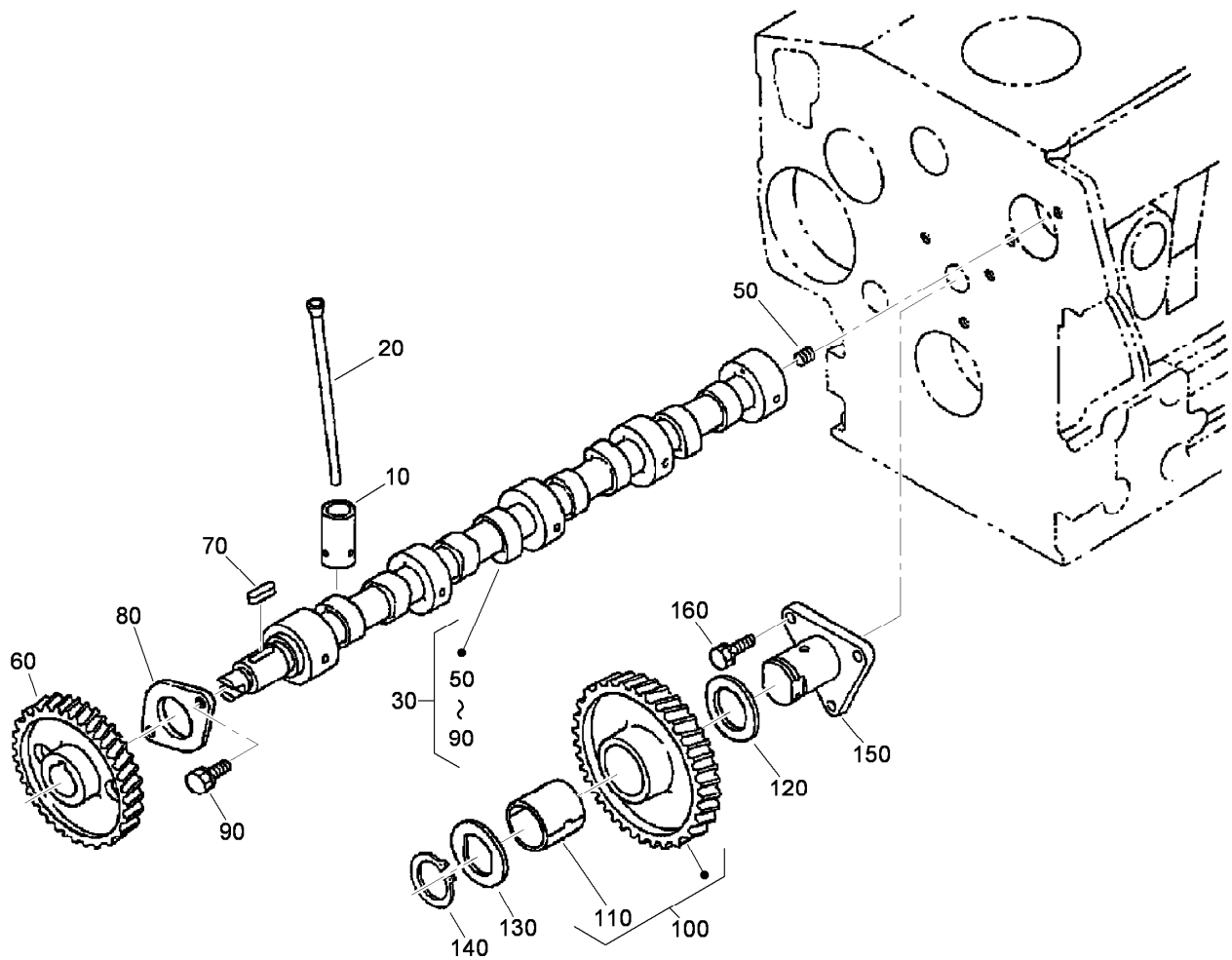
Dipstick and Guide Assembly

<i>Ref.</i>	<i>Part Number</i>	<i>Qty.</i>	<i>Description</i>
10	105-3714	1	Gauge-Oil
20	110-3720	1	Plug-Gauge, Oil
30	105-4580	1	Guide-Gauge, Oil



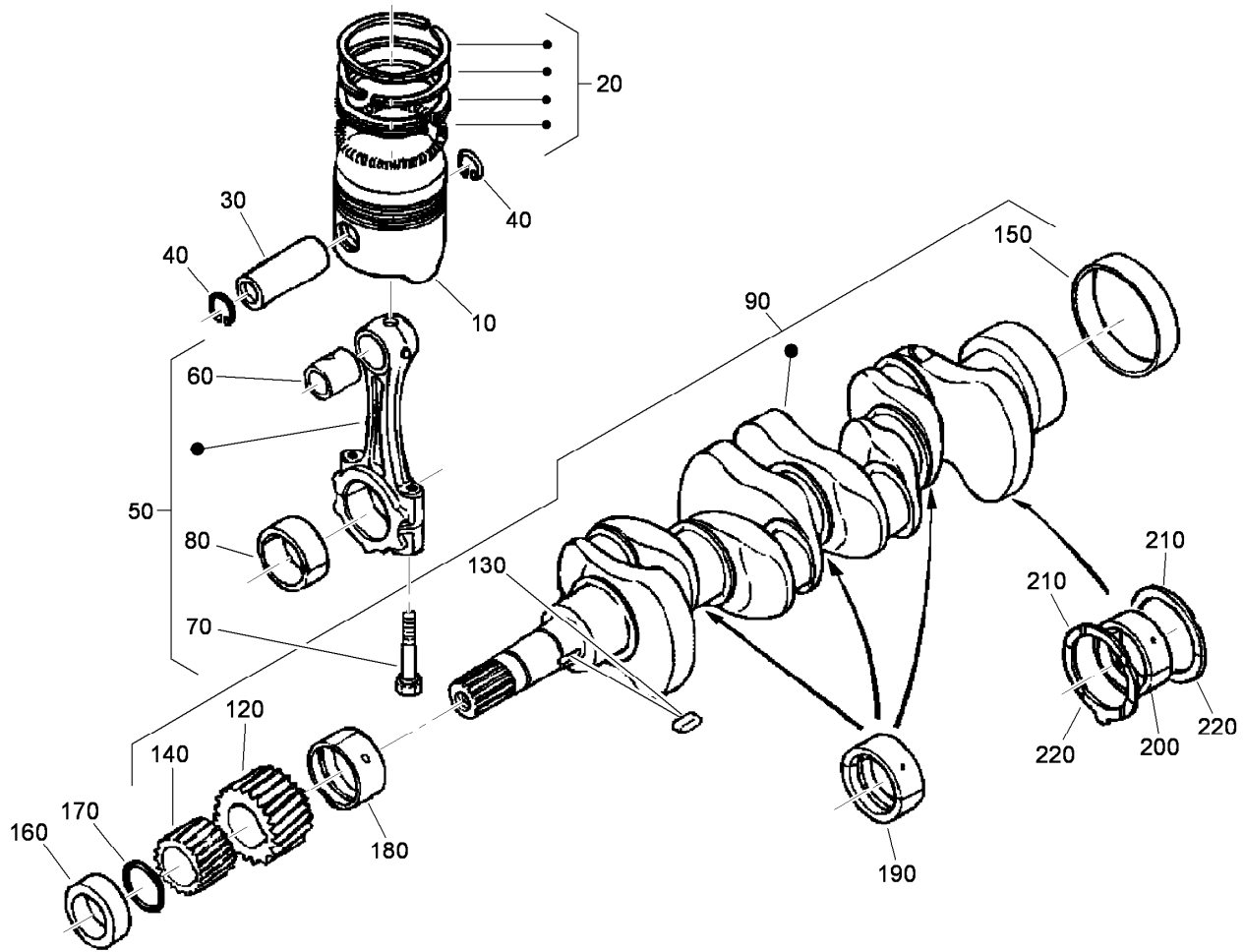
Main Bearing Case Assembly

<i>Ref.</i>	<i>Part Number</i>	<i>Qty.</i>	<i>Description</i>
10	112-7026	1	Wheel Bearing Case ASM
15	112-7045	1	Metal-Crankshaft
20	98-9484	2	Bolt-Case, Bearing
30	98-9634	1	Gasket-Case, Bearing
40	112-7046	1	Cover-Case, Bearing
50	112-0180	1	Seal-Oil
60	112-7037	1	Gasket-Cover, Case
70	98-9352	8	Bolt
80	98-7568	9	Bolt
90	112-7028	1	Bearing ASM
95	112-7011	1	Bearing-Main (STD)
100	98-9484	2	Bolt-Case, Bearing
110	98-9485	3	Bolt-Case, Bearing
120	112-7027	1	Bearing ASM
125	112-7011	1	Bearing-Main (STD)
130	98-9484	2	Bolt-Case, Bearing
140	115-4120	1	Bearing Case ASM
145	112-7011	1	Bearing-Main (STD)
150	98-9484	2	Bolt-Case, Bearing



Cam Shaft and Idle Gear Shaft Assembly

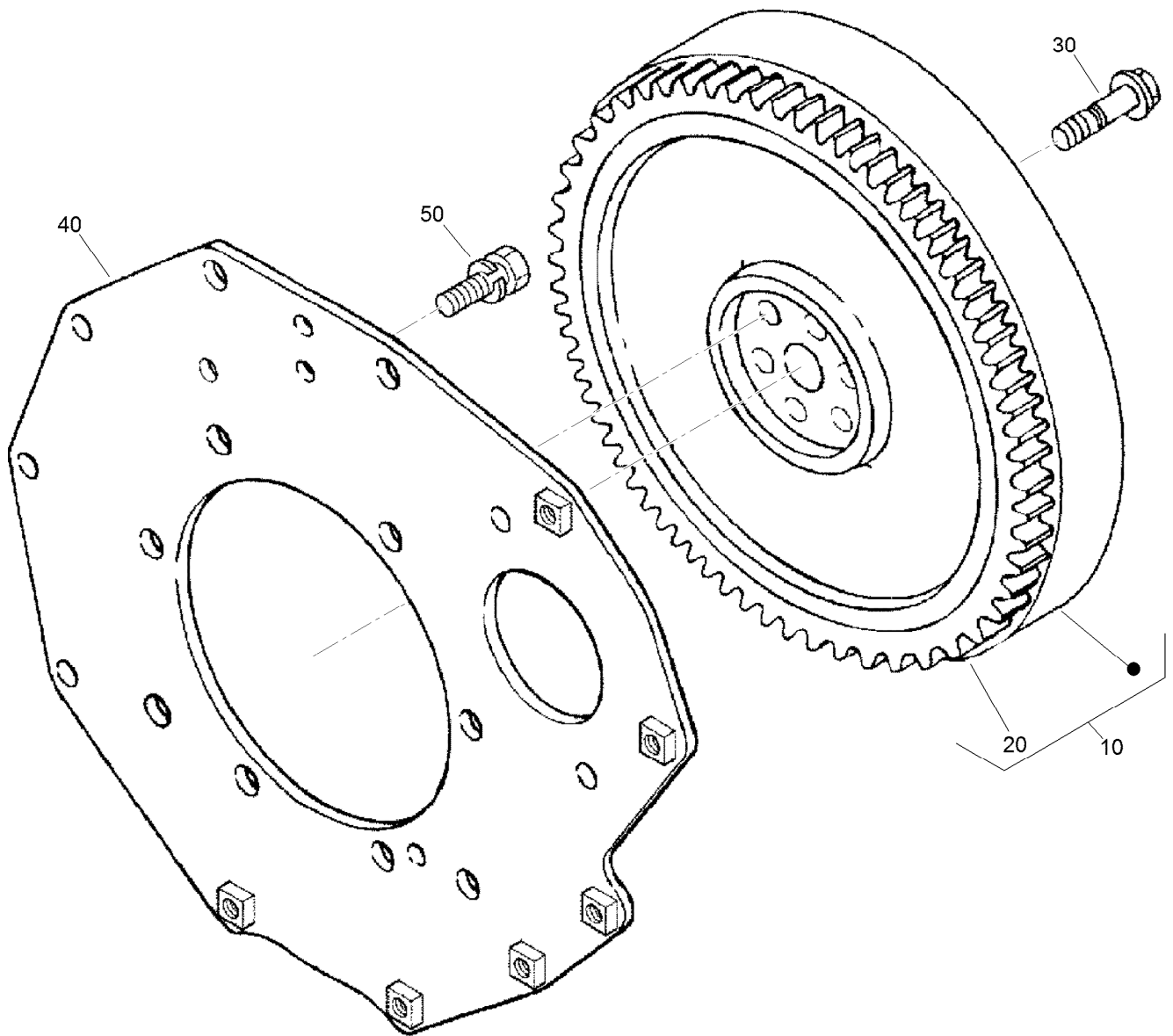
<i>Ref.</i>	<i>Part Number</i>	<i>Qty.</i>	<i>Description</i>
10	112-0185	8	Tappet
20	98-9509	8	Rod-Push
30	112-8402	1	Camshaft ASM
50	98-7449	1	Screw-Set
60	98-9512	1	Gear-Cam
70	98-9378	1	Key-Feather
80	98-9510	1	Stopper-Camshaft
90	98-7692	2	Bolt
100	98-9649	1	Idle Gear ASM
110	98-9650	1	Bushing-Gear, Idle
120	98-9535	1	Collar-Gear, Idle
130	98-9536	1	Collar-Gear, Idle
140	98-9534	1	Circlip-Gear, Idle
150	98-9533	1	Shaft-Gear, Idle
160	98-7692	3	Bolt



Piston and Crankshaft Assembly

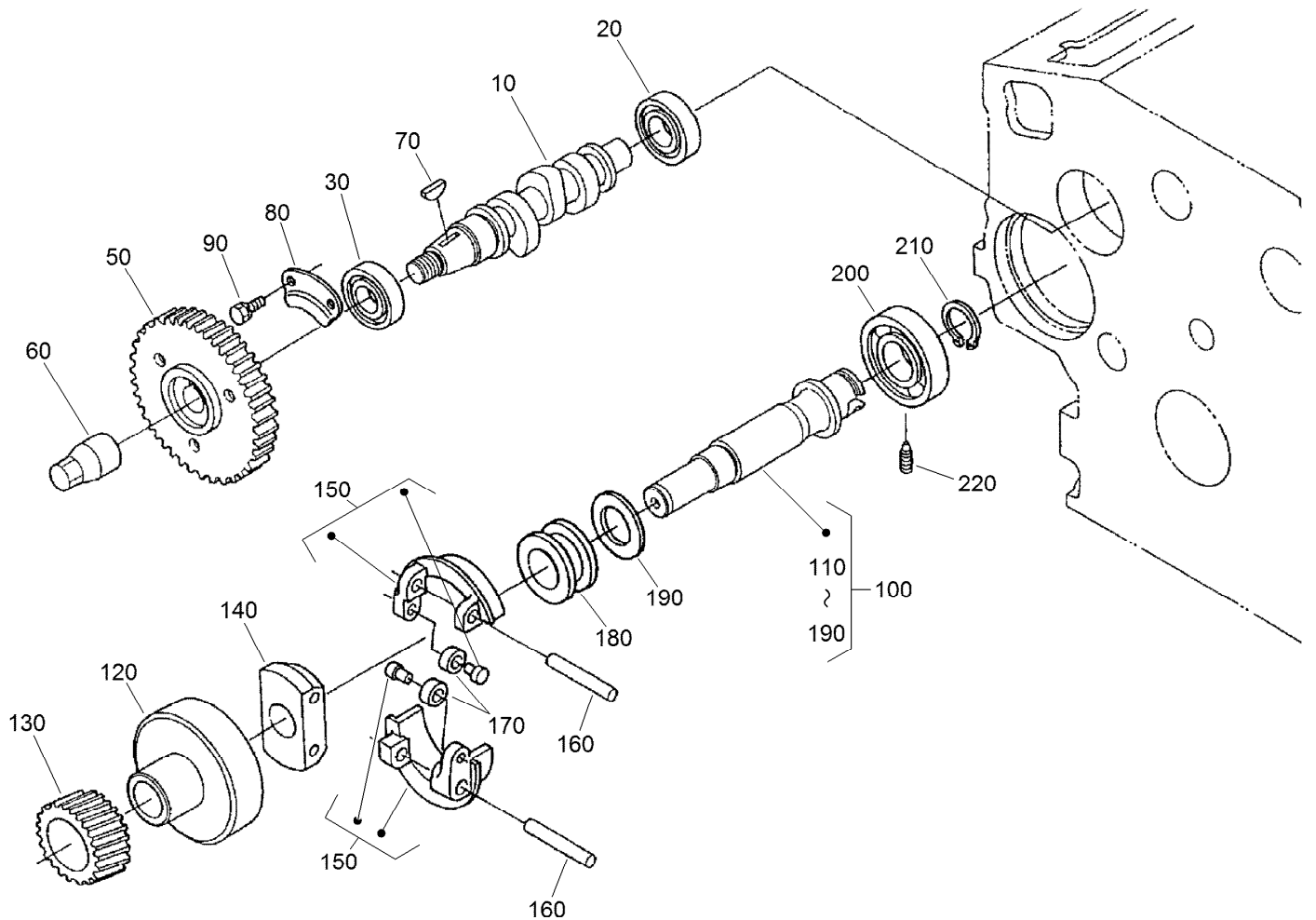
<i>Ref.</i>	<i>Part Number</i>	<i>Qty.</i>	<i>Description</i>
10	98-9550	4	Piston (STD)
10	108-1417	4	Piston (+0.5Mm)
20	98-9551	4	Piston Ring ASM (STD)
20	108-1404	4	Piston Ring ASM (+0.5Mm)
30	98-9513	4	Pin-Piston
40	98-9514	8	Circlip-Pin, Piston
50	98-9552	4	Connecting Rod ASM
60	115-3014	4	Bushing-Pin, Piston
70	98-9517	8	Bolt-Rod, Connecting
80	98-9553	4	Bearing-Rod (STD)
80	108-1405	4	Metal-Crankpin (-0.2Mm)
80	108-1406	4	Metal-Crankpin (-0.4Mm)
90	105-3718	1	Crankshaft ASM
120	98-9532	1	Gear-Crankshaft
130	98-9666	1	Key
140	98-9542	1	Gear-Drive, Oil Pump
150	98-9522	1	Sleeve-Crankshaft

<i>Ref.</i>	<i>Part Number</i>	<i>Qty.</i>	<i>Description</i>
160	98-9521	1	Collar-Crankshaft
170	105-3783	1	O-Ring
180	112-7005	1	Bearing-Main (STD)
180	112-7009	1	Metal-Crankpin (-0.2Mm)
180	112-7010	1	Metal-Crankpin (-0.4Mm)
190	112-7011	3	Bearing-Main (STD)
190	112-7012	3	Metal-Crankpin (-0.2Mm)
190	112-7013	3	Metal-Crankpin (-0.4Mm)
200	112-7006	1	Bearing-Main (STD)
200	112-7007	1	Metal-Crankshaft (.2Mm)
200	112-7040	1	Metal-Crankshaft (-0.4Mm)
210	98-9413	2	Bearing-Thrust (STD)
210	98-9414	2	Bearing-Thrust (0.2Mm)
210	98-9415	2	Bearing-Thrust (0.4Mm)
220	98-9688	2	Bearing-Thrust (STD)
220	98-9689	2	Bearing-Thrust (0.2Mm)
220	127-0438	2	Metal-Side (+0.40Mm)



Flywheel Assembly

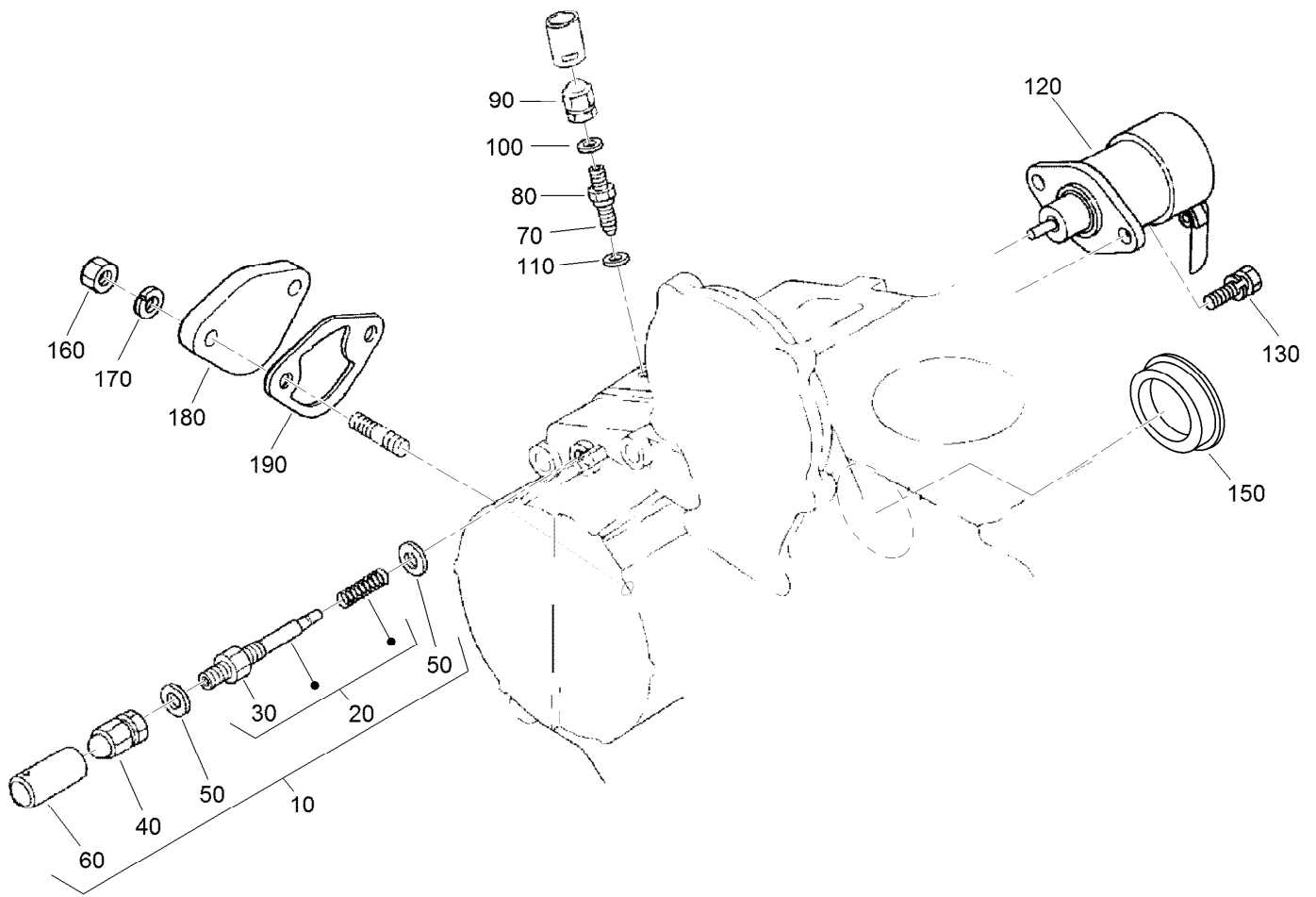
<i>Ref.</i>	<i>Part Number</i>	<i>Qty.</i>	<i>Description</i>
10	105-3721	1	Flywheel ASM
20	115-3015	1	Gear-Ring
30	98-9537	6	Bolt-Flywheel
40	98-9486	1	Plate-End, Rear
50	98-9392	8	Bolt



Fuel Camshaft and Governor Shaft Assembly

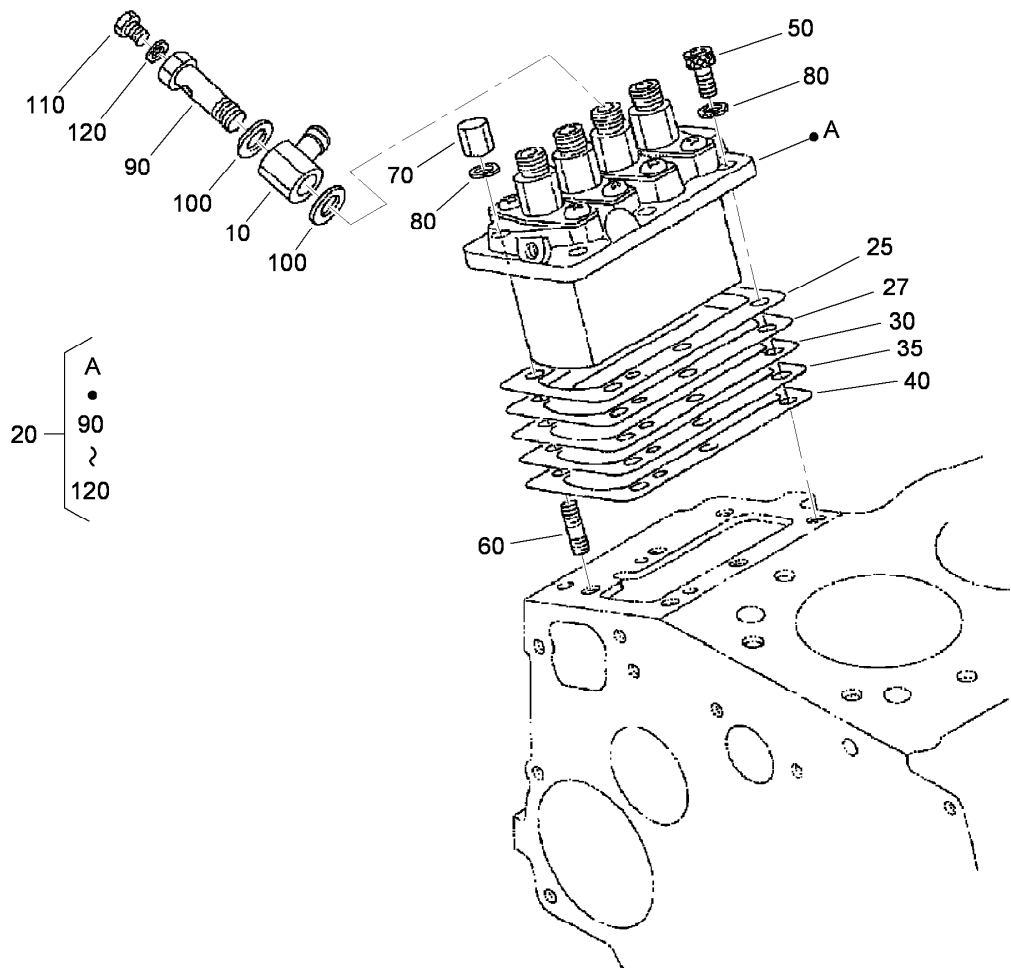
Ref.	Part Number	Qty.	Description
10	105-3723	1	Camshaft-Fuel
20	107-9077	1	Bearing-Ball
30	107-9078	1	Bearing-Ball
50	98-9669	1	Gear-Pump, Injection
60	98-9590	1	Nut-Cap
70	98-9595	1	Key-Woodruff
80	98-9511	1	Stopper-Fuel, Camshaft
90	98-7692	2	Bolt
100	105-3724	1	Governor Shaft ASM
110	105-3725	1	Shaft-Governor
120	98-9562	1	Holder-Gear, Governor

Ref.	Part Number	Qty.	Description
130	98-9673	1	Gear-Governor
140	98-9561	1	Holder-Weight, Governor
150	98-9559	2	Governor Weight ASM
160	98-9560	2	Shaft-Weight, Governor
170	98-9692	2	Roller
180	98-9563	1	Sleeve-Governor
190	98-9564	1	Washer-Thrust
200	107-9079	1	Bearing-Ball
210	98-9657	1	Circlip-Shaft, Governor
220	98-9565	1	Screw-Set



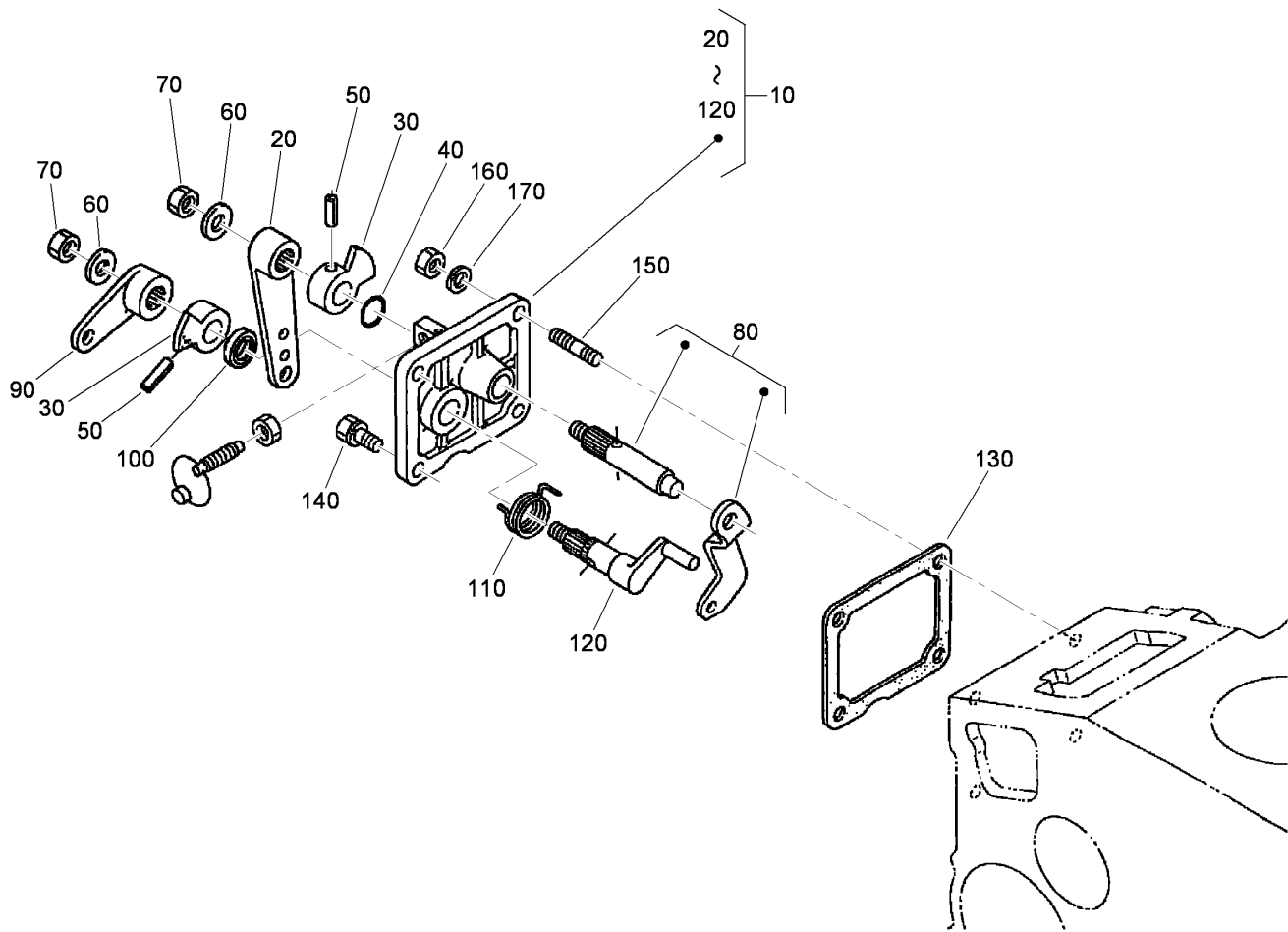
Idle Apparatus Assembly

<i>Ref.</i>	<i>Part Number</i>	<i>Qty.</i>	<i>Description</i>
10	98-9678	1	Idle Apparatus ASM
20	112-7014	1	Adjusting Bolt ASM
30	98-9439	1	Nut
40	112-0181	1	Nut
50	98-7654	2	Gasket
60	98-7656	1	Cap
70	112-7015	1	Bolt-Adjusting
80	100-2175	1	Nut-Lock
90	112-0181	1	Nut
100	98-7654	1	Gasket
110	107-9081	1	Gasket
120	104-5155	1	Solenoid-Stop
130	115-3039	2	Bolt-HSH
150	112-7016	1	Cover-Pump
160	98-7572	2	Nut
170	98-7699	2	Washer-Spring
180	99-3514	1	Cover
190	98-9636	1	Gasket-Pump, Fuel



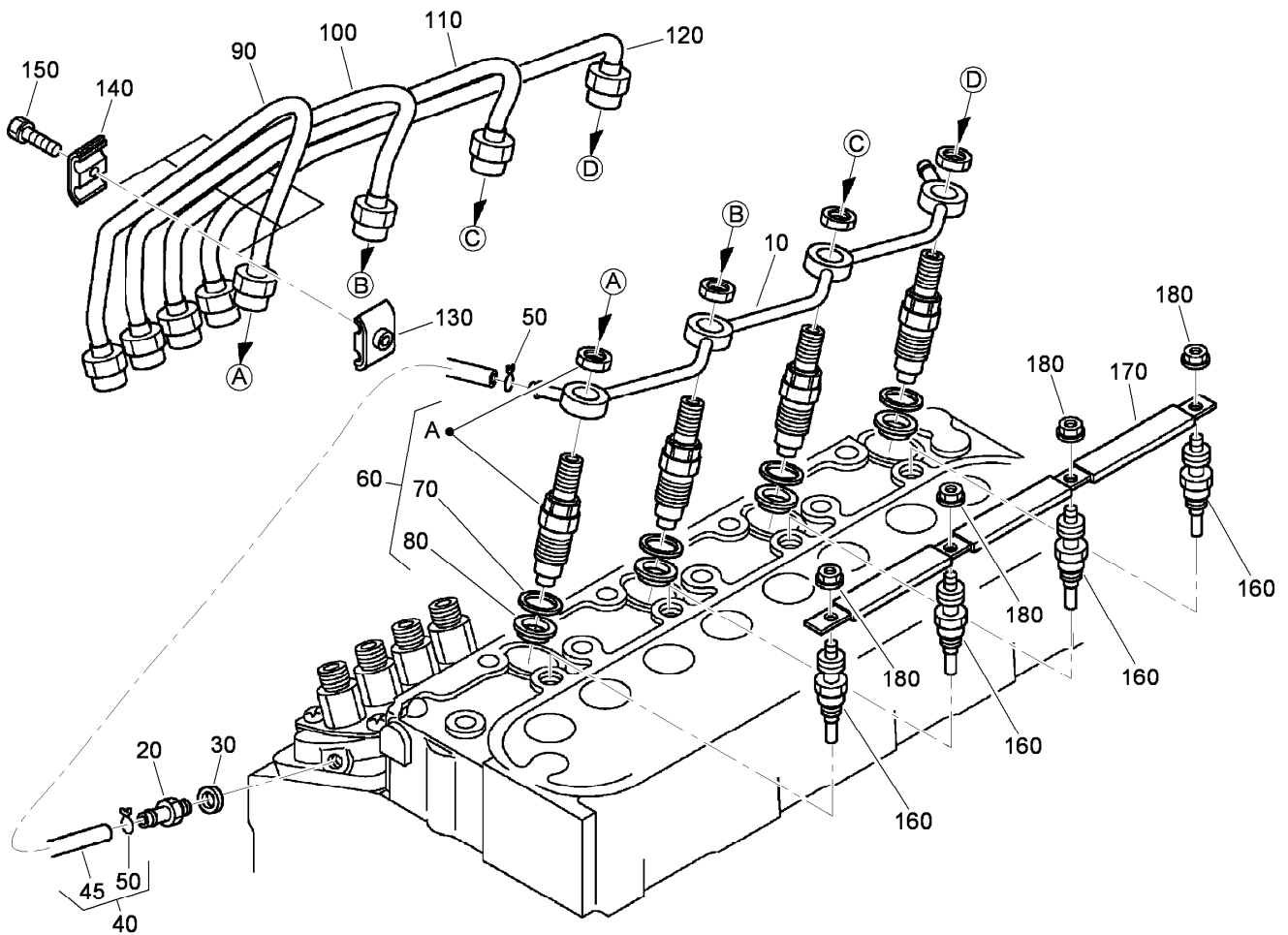
Injection Pump Assembly

<i>Ref.</i>	<i>Part Number</i>	<i>Qty.</i>	<i>Description</i>
10	98-9596	1	Joint-Eye
20	105-3727	1	Injection Pump ASM
25	115-3016	1	Shim-Pump, Injection (.350Mm)
27	115-3017	1	Shim-Pump, Injection (.175Mm)
30	105-3728	1	Shim-Pump, Injection (.20Mm)
35	105-3729	1	Shim-Pump, Injection (.25Mm)
40	105-3730	1	Shim-Pump, Injection (.30Mm)
50	98-9361	3	Bolt-HSH
60	98-9438	3	Stud
70	98-9440	3	Nut-Cap
80	98-7699	6	Washer-Spring
90	98-9464	1	Bolt-Joint
100	98-9445	2	Gasket
110	98-9430	1	Screw
120	98-9446	1	Gasket



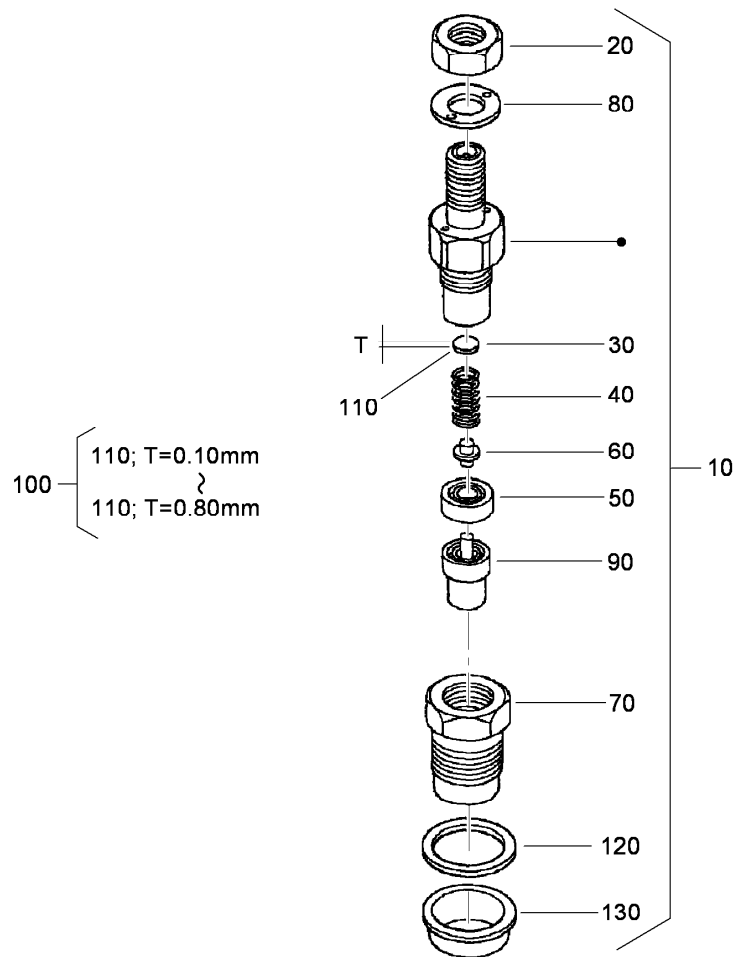
Speed Control Plate Assembly

<i>Ref.</i>	<i>Part Number</i>	<i>Qty.</i>	<i>Description</i>
10	105-3735	1	Control Plate ASM
20	98-9662	1	Lever-Control, Speed
30	98-9572	2	Lever-Control, Speed
40	105-3788	1	O-Ring
50	98-7602	2	Pin-Spring
60	98-9594	2	Washer-Plain
70	98-9589	2	Nut
80	98-9658	1	Governor Lever ASM
90	98-9663	1	Lever-Stop, Engine
100	98-7601	1	Seal-Oil
110	98-9472	1	Spring-Return
120	98-9664	1	Shaft-Lever, Stop
130	98-9637	1	Gasket
140	98-7692	2	Bolt
150	105-3710	2	Stud
160	98-7572	2	Nut
170	98-7699	2	Washer-Spring



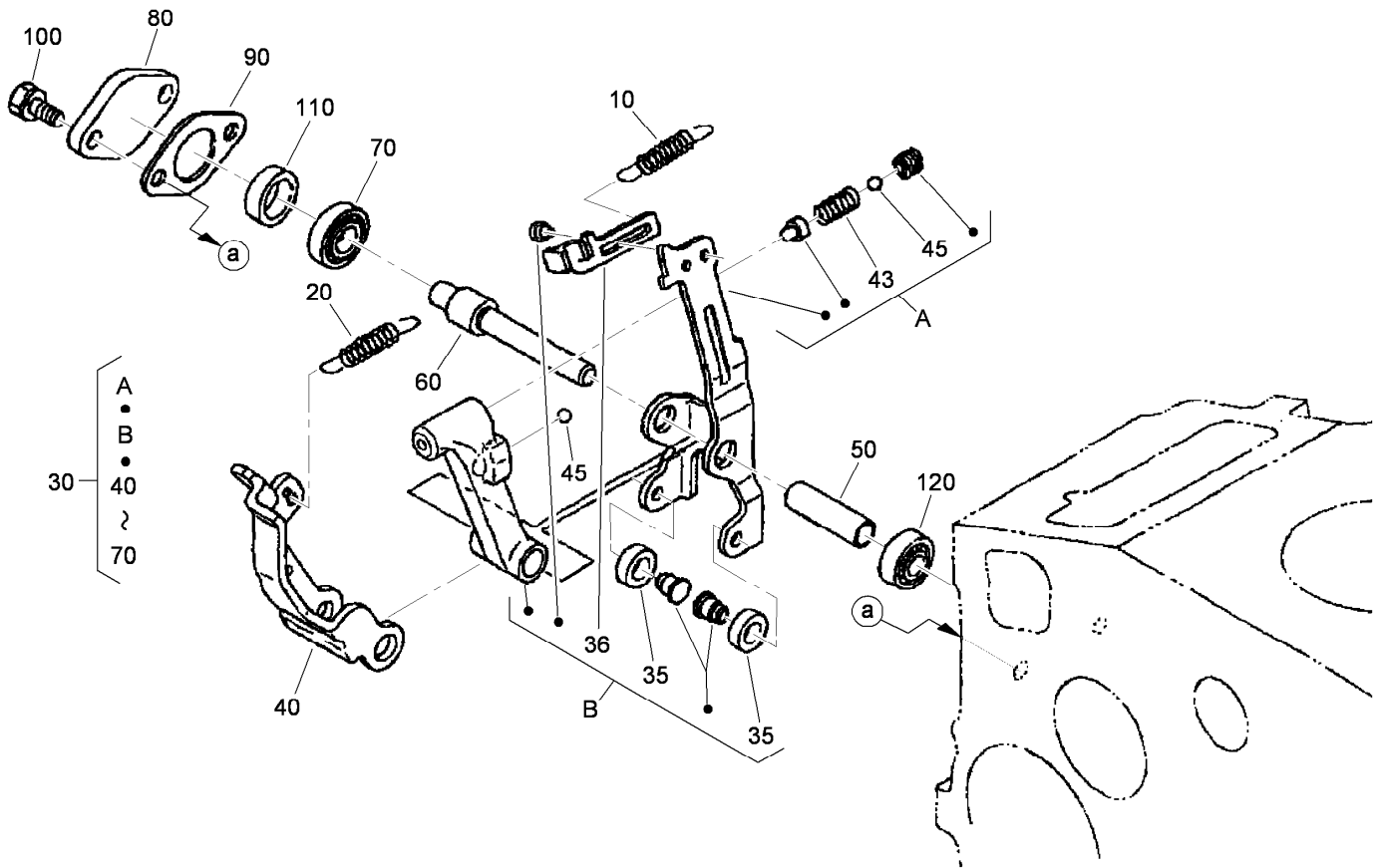
Nozzle Holder and Glow Plug Assembly

Ref.	Part Number	Qty.	Description
10	105-3737	1	Over Flow Pipe ASM
20	98-9431	1	Screw-Bleeder, Air
30	98-7654	1	Gasket
40	98-9420	1	Overflow Pipe ASM
45	112-0182	1	Pipe-Overflow
50	98-7671	2	Clip-Pipe
60	108-2866	4	Nozzle Holder Kit
70	98-7676	4	Gasket
80	98-7677	4	Seal-Heat
90	98-9622	1	Pipe-Injection
100	98-9654	1	Pipe-Injection
110	98-9655	1	Pipe-Injection
120	105-3738	1	Pipe-Injection
130	98-7682	3	Clamp-Pipe
140	98-7683	3	Clamp-Pipe
150	98-7684	3	Screw (W/Washer)
160	98-9623	4	Plug-Glow
170	105-3739	1	Cord-Plug, Glow
180	99-8377	4	Nut-Flange



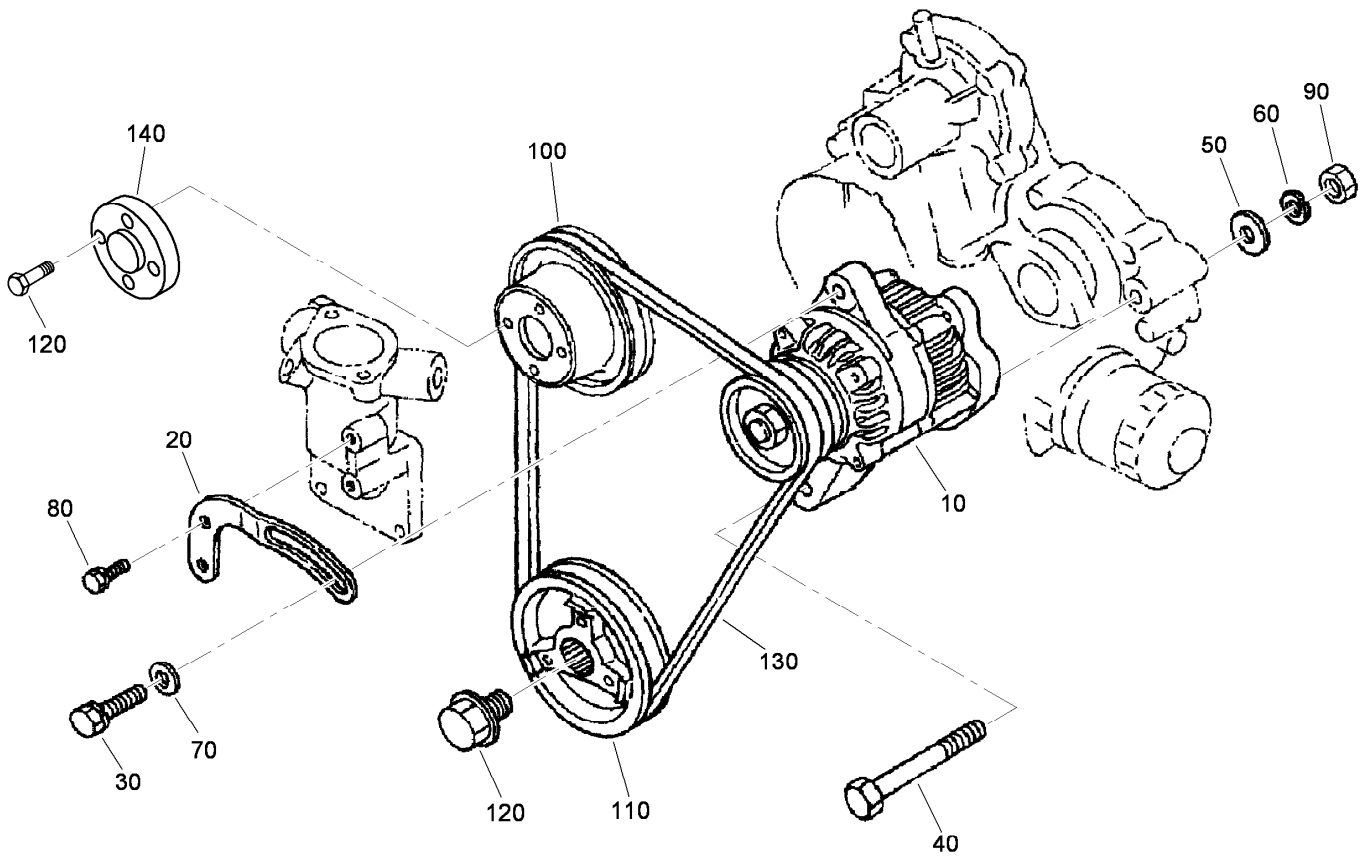
Nozzle Holder Component Assembly

Ref.	Part Number	Qty.	Description
10	108-2866	4	Nozzle Holder Kit
20	99-8301	4	Nut
30	99-8302	4	Washer-Adjusting
40	99-8303	4	Spring-Nozzle
50	99-8304	4	Spacer-Distance
60	99-8305	4	Rod-Push
70	99-8306	4	Nut-Nozzle
80	99-8307	4	Washer-Plain
90	107-7826	4	Piece-Nozzle
100	99-8309	4	Adjusting Washer ASM
110	99-8310	4	Washer-Adjust (0.10Mm)
110	99-8311	4	Washer-Adjust (0.20Mm)
110	99-8312	4	Washer-Adjust (0.30Mm)
110	99-8313	4	Washer-Adjust (0.40Mm)
110	99-8314	4	Washer-Adjust (0.50Mm)
110	99-8315	4	Washer-Adjust (0.52Mm)
110	99-8316	4	Washer-Adjust (0.54Mm)
110	99-8317	4	Washer-Adjust (0.56Mm)
110	99-8318	4	Washer-Adjust (0.58Mm)
110	99-8319	4	Washer-Adjust (0.80Mm)
120	98-7676	4	Gasket
130	98-7677	4	Seal-Heat



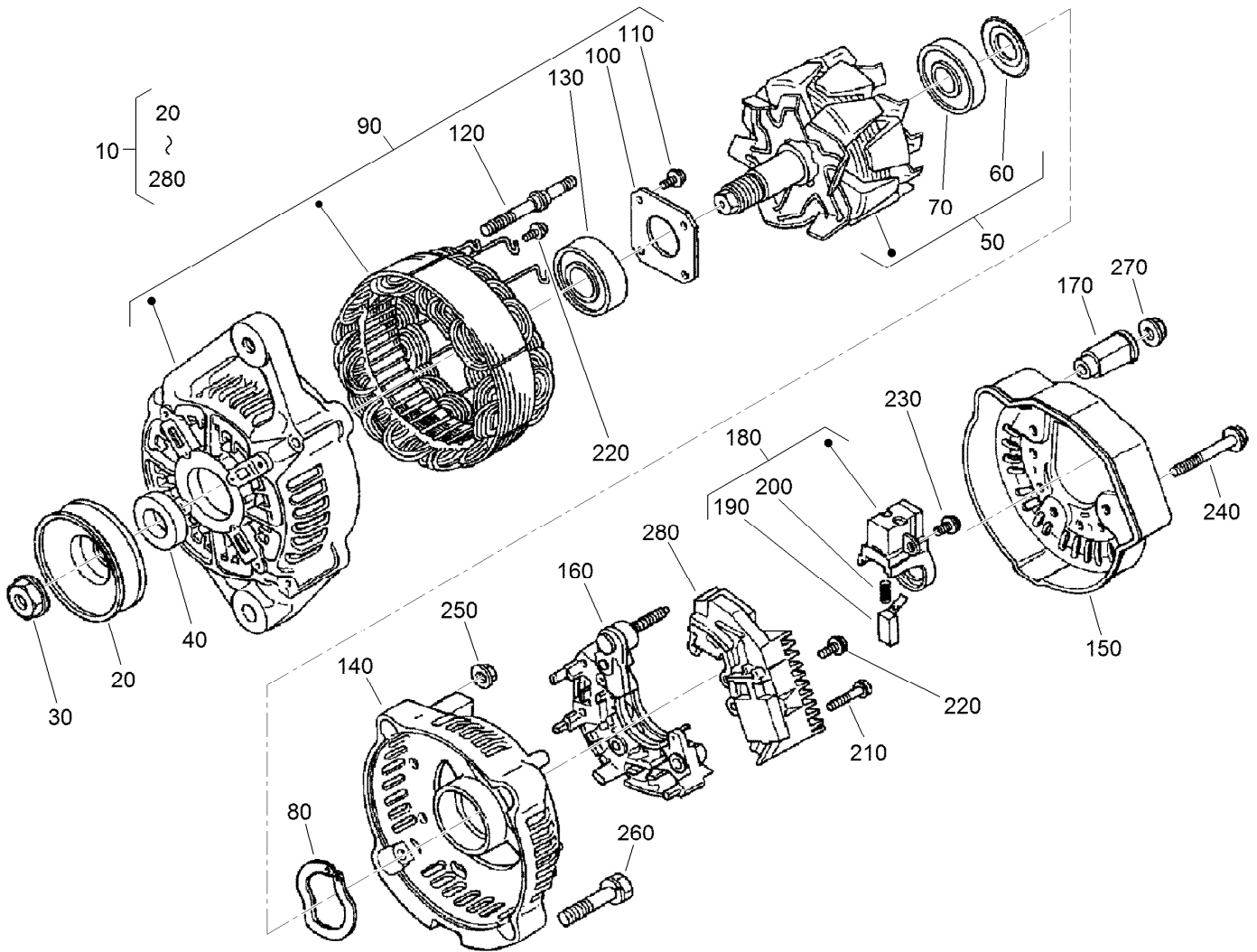
Governor Assembly

Ref.	Part Number	Qty.	Description
10	105-3741	1	Spring-Start
20	98-9681	1	Spring-Governor
30	108-4427	1	Fork Lever ASM
35	98-9692	2	Roller
36	107-9083	1	Lever-Thrust
40	107-9084	1	Lever-Fork
43	108-2867	1	Spring
45	98-7580	2	Ball
50	107-9085	1	Shaft-Lever, Fork
60	107-9086	1	Shaft-Lever, Fork
70	98-9570	1	Bearing-Miniaturize
80	115-4122	1	Cover-Shaft, Fork Lever
90	98-9682	1	Gasket
100	98-9350	2	Bolt
110	98-9567	1	Collar
120	98-9571	1	Bearing-Miniaturize



Alternator and Pulley Assembly

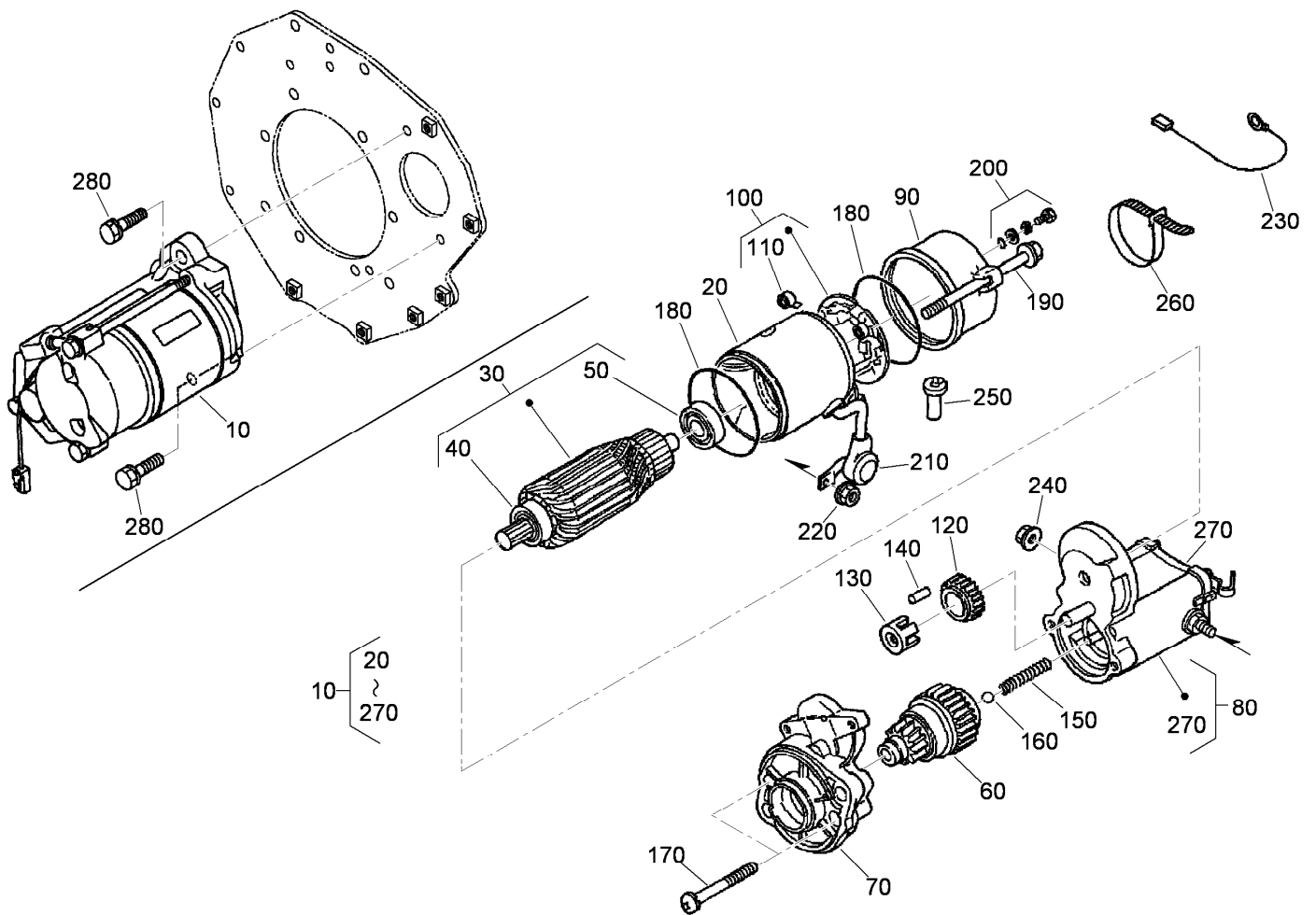
<i>Ref.</i>	<i>Part Number</i>	<i>Qty.</i>	<i>Description</i>
10	98-9474	1	Alternator ASM
20	112-7047	1	Stay-Dynamo
30	108-7088	1	Bolt
40	98-9360	1	Bolt
50	98-7696	1	Washer-Plain
60	98-7738	1	Washer-Spring
70	100-9233	1	Washer-Plain
80	98-7692	1	Bolt
90	98-7737	1	Nut
100	110-0972	1	Pulley
110	105-3745	1	Pulley-Drive, Fan
120	98-9585	1	Bolt
130	98-9676	1	V-Belt
140	108-2872	1	Collar-Fan



Alternator Components Assembly

Ref.	Part Number	Qty.	Description
10	98-9474	1	Alternator ASM
20	98-9453	1	Pulley-Dynamo
30	98-7708	1	Nut
40	98-7709	1	Collar
50	107-0136	1	Rotor ASM
60	98-7711	1	Cover-Bearing
70	107-0138	1	Bearing-Ball
80	98-7713	1	Washer-Thrust
90	107-0139	1	Drive End Frame ASM
100	98-7715	1	Plate-Retainer
110	98-7716	4	Screw-Head, Round
120	98-7717	2	Bolt-Through
130	133-2811	1	Bearing
140	107-9087	1	Frame-End

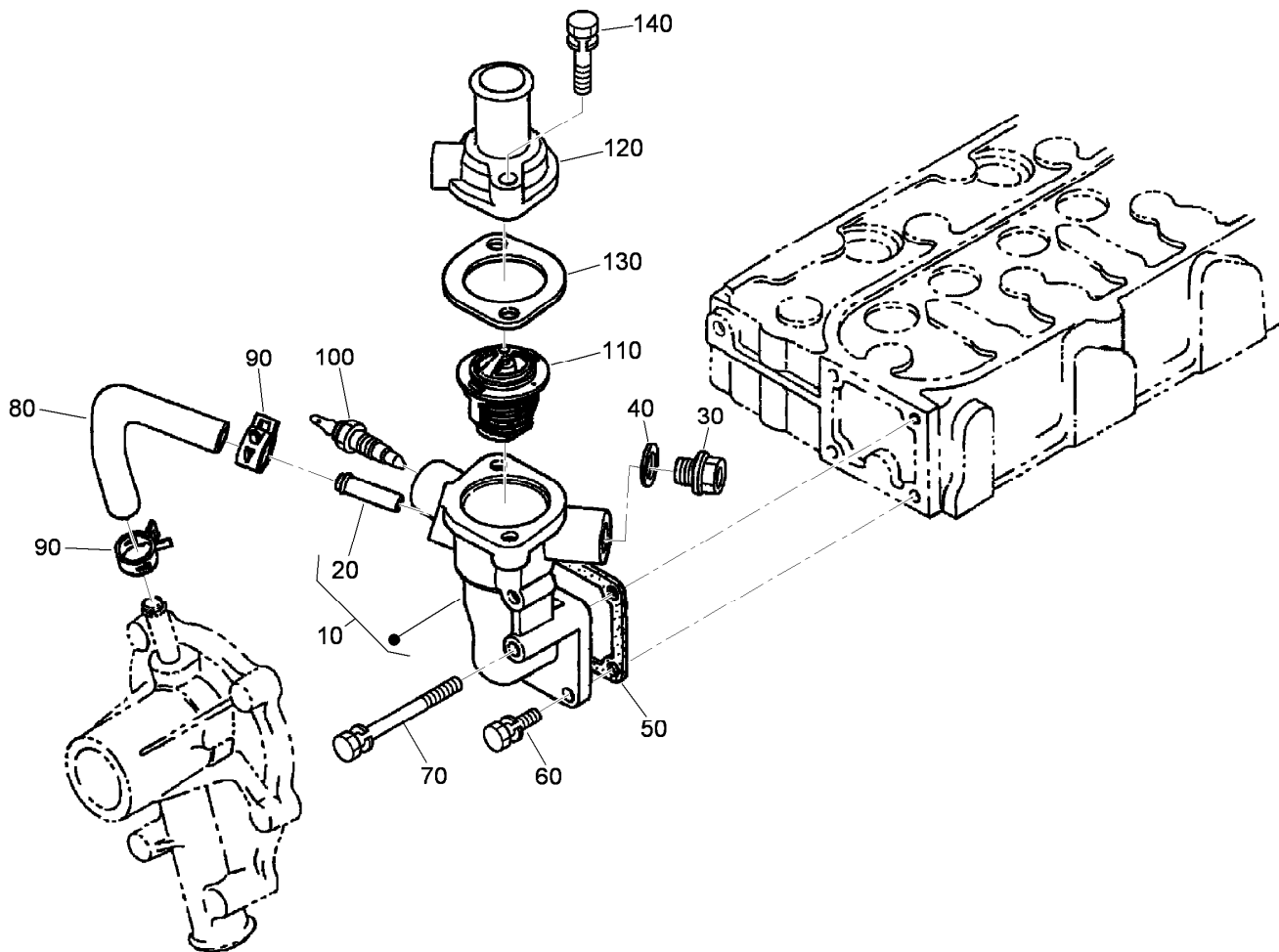
Ref.	Part Number	Qty.	Description
150	107-0140	1	Cover-End
160	98-7721	1	Rectifier ASM
170	98-7722	1	Bushing-Insulation
180	107-0141	1	Brush Holder ASM
190	98-7724	2	Brush
200	98-7725	2	Spring-Brush
210	98-7726	2	Screw-Head, Round
220	98-7727	6	Screw-Head, Round
230	98-7728	1	Screw-Head, Round
240	98-7729	3	Bolt
250	98-7730	2	Nut
260	98-7731	2	Bolt
270	98-7732	1	Nut
280	110-3799	1	Regulator ASM



Starter Assembly

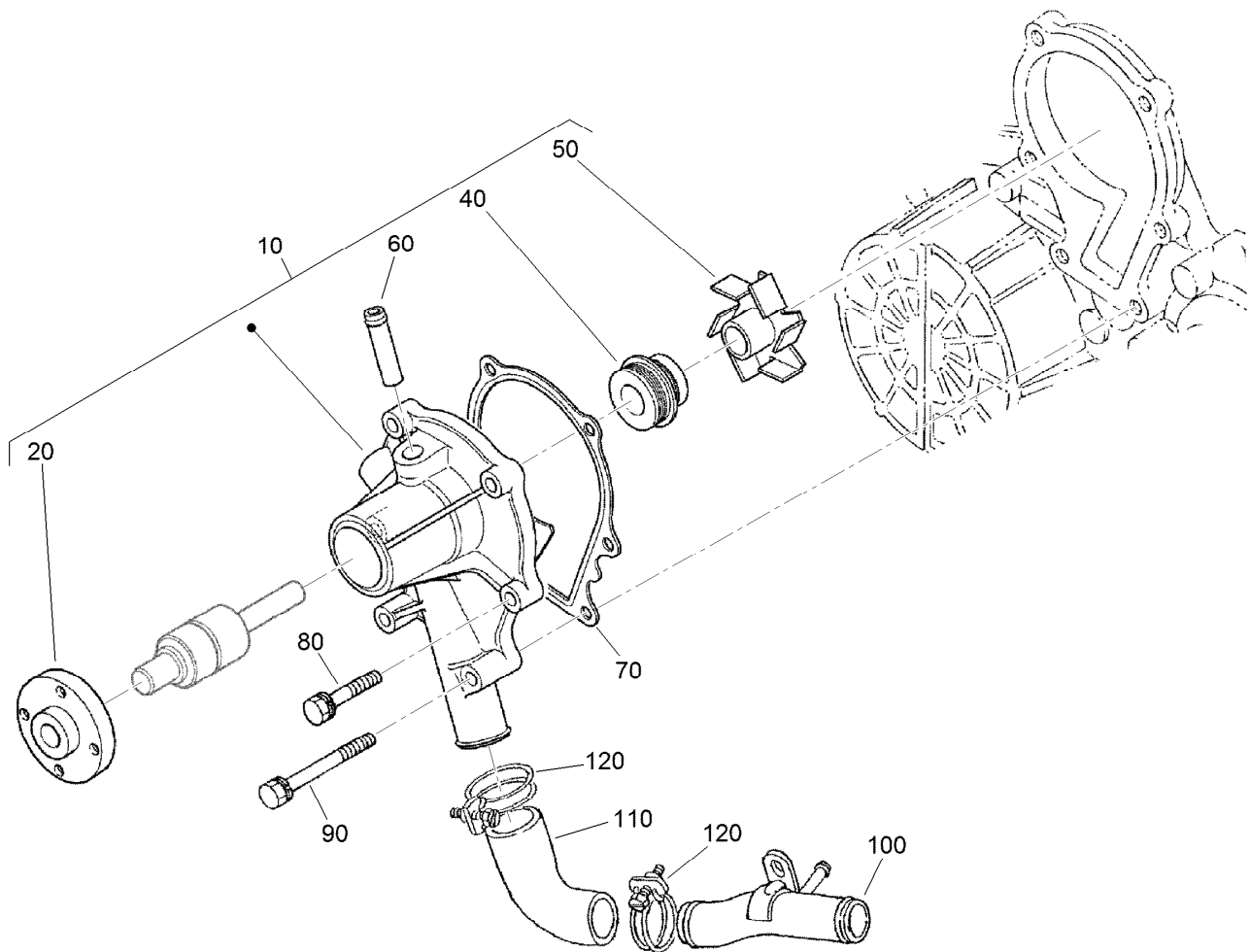
Ref.	Part Number	Qty.	Description
10	98-9705	1	Starter ASM
20	104-8608	1	Yoke ASM
30	98-7742	1	Armature ASM
40	98-7744	1	Bearing
50	98-7743	1	Bearing
60	99-8373	1	Clutch-Running, Over
70	99-8374	1	Frame-End, Drive
80	105-3746	1	Magnetic Switch ASM
90	98-7748	1	Frame-End
100	98-7749	1	Brush Holder ASM
110	98-7750	4	Spring-Brush
120	98-7751	1	Gear
130	98-7752	1	Retainer
140	98-7753	5	Roller

Ref.	Part Number	Qty.	Description
150	98-7754	1	Spring
160	98-7755	1	Ball
170	98-7756	2	Bolt
180	98-7757	2	O-Ring
190	100-9240	2	Bolt
200	98-7758	2	Bolt ASM
210	99-8375	1	Cover
220	99-8371	1	Nut-Hex
230	98-9711	1	Cord-Solenoid, Stop
240	99-8376	1	Nut-Hex
250	98-7759	1	Pipe-Drain
260	98-9712	1	Band-Cover
270	105-2886	1	Cover ASM
280	98-7697	2	Bolt



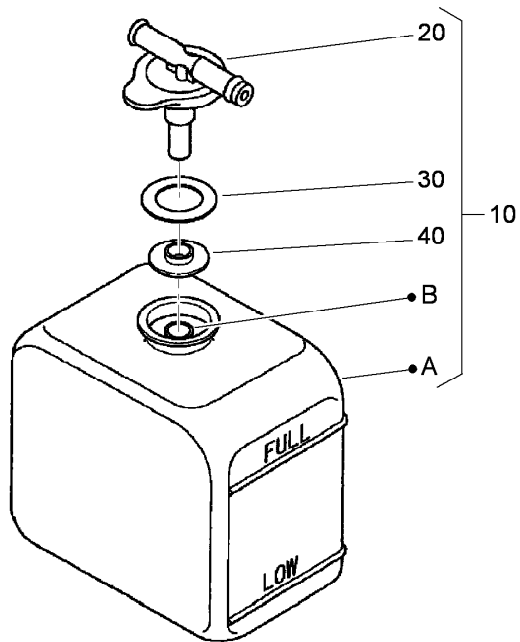
Water Flange and Thermostat Assembly

<i>Ref.</i>	<i>Part Number</i>	<i>Qty.</i>	<i>Description</i>
10	98-9713	1	Water Flange ASM
20	98-9580	1	Pipe-Return, Water
30	105-3747	1	Plug
40	99-3583	1	Gasket
50	98-9638	1	Gasket-Flange, Water
60	98-7692	3	Bolt
70	98-9356	1	Bolt
80	98-9578	1	Pipe-Return, Water
90	98-9579	2	Band-Pipe
100	112-0183	1	Switch-Thermometer
110	98-7778	1	Thermostat ASM
120	98-9471	1	Cover-Thermostat
130	105-3748	1	Gasket-Thermostat
140	98-7777	2	Bolt



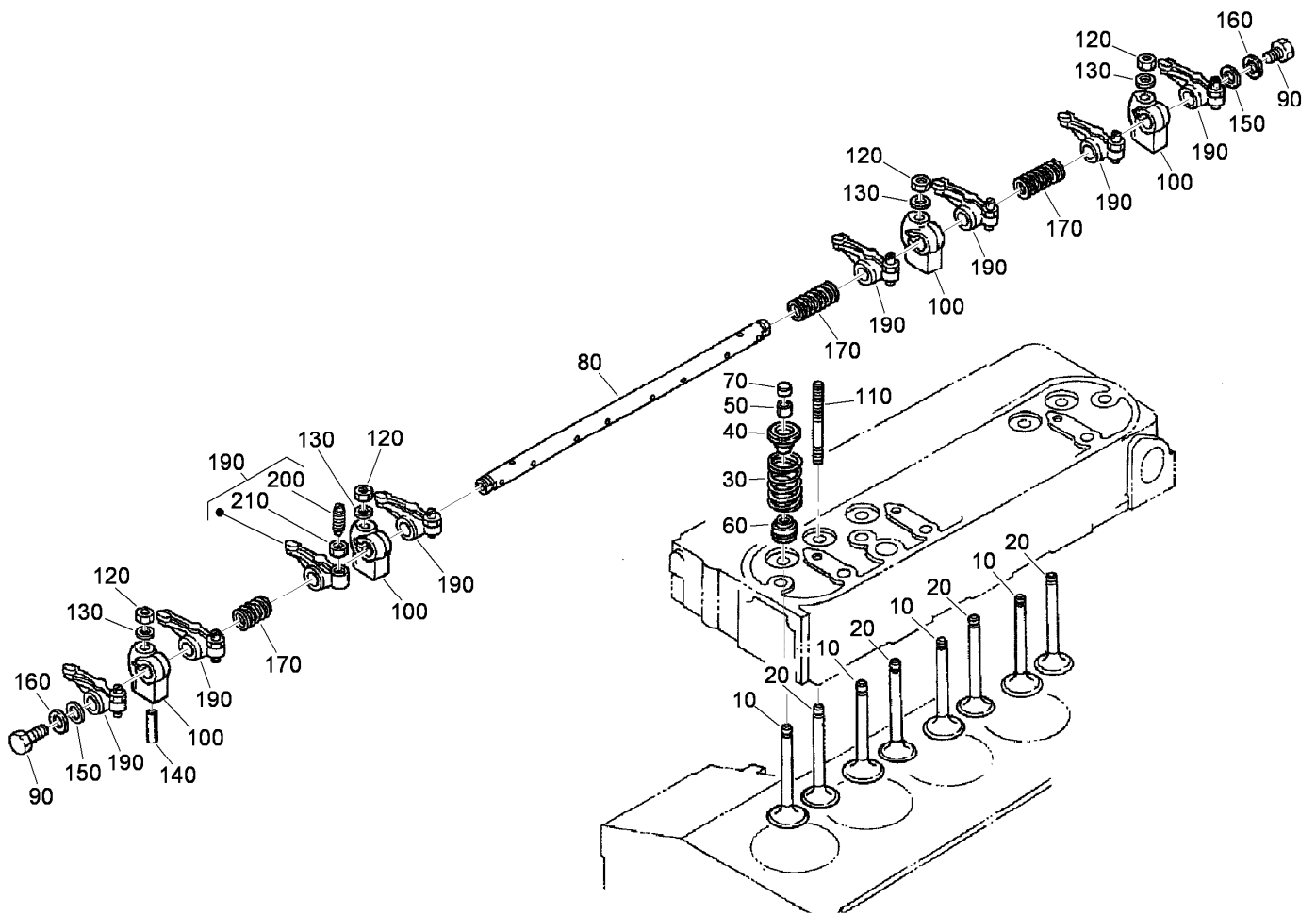
Water Pump Assembly

<i>Ref.</i>	<i>Part Number</i>	<i>Qty.</i>	<i>Description</i>
10	107-9089	1	Water Pump ASM
20	99-3516	1	Flange-Pump, Water
40	105-3750	1	Mechanical Seal ASM
50	112-7017	1	Impeller-Pump, Water
60	100-1932	1	Pipe-Return, Water
70	99-3454	1	Gasket-Pump, Water
80	98-9353	4	Bolt
90	107-9090	2	Bolt
100	99-8379	1	Pipe-Water
110	107-9091	1	Pipe-Water
120	98-9717	2	Clamp



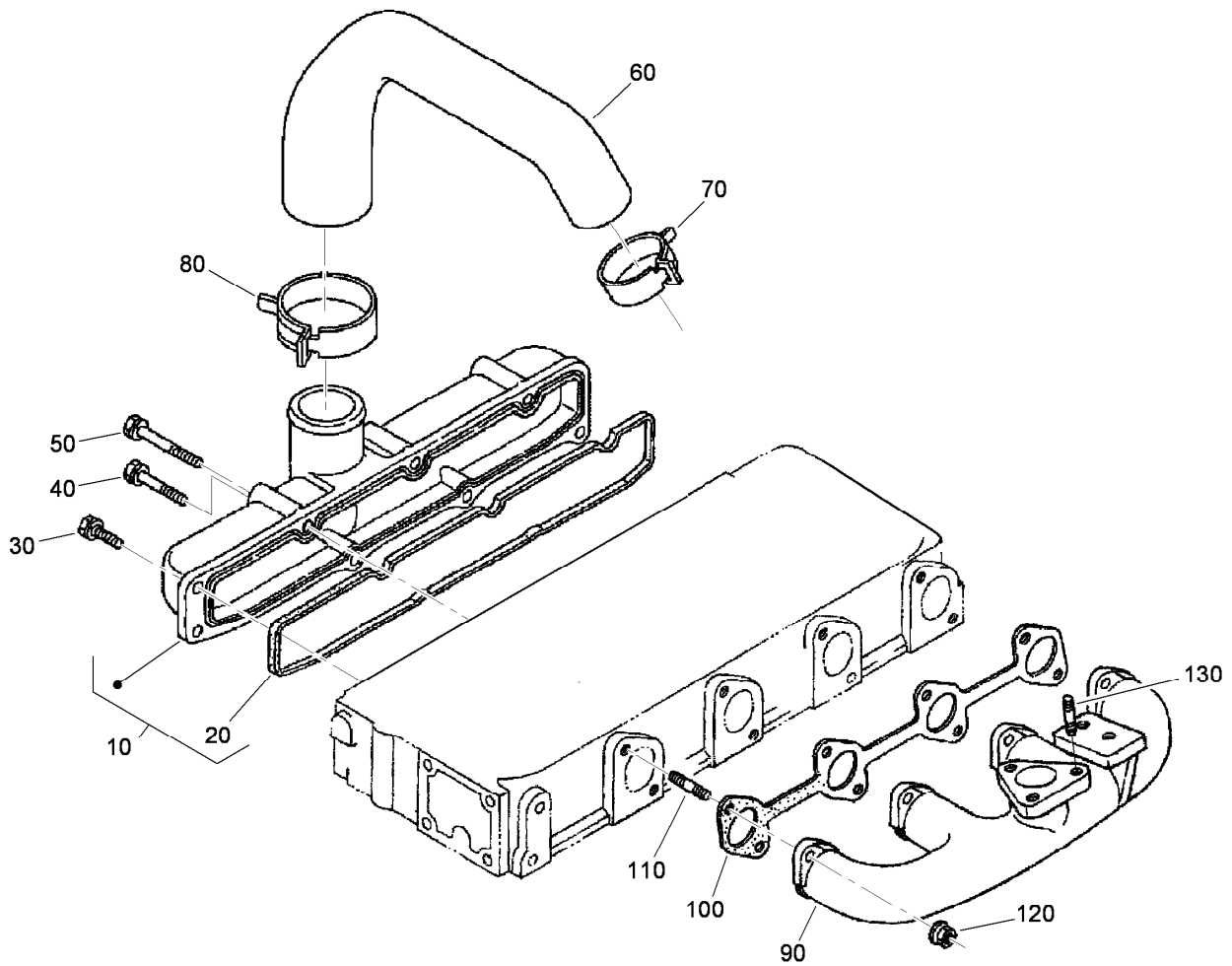
Overflow Bottle Assembly

<i>Ref.</i>	<i>Part Number</i>	<i>Qty.</i>	<i>Description</i>
10	104-9318	1	Bottle-Overflow
20	115-4132	1	Cap
30	105-3755	1	Gasket
40	105-3756	1	Plate



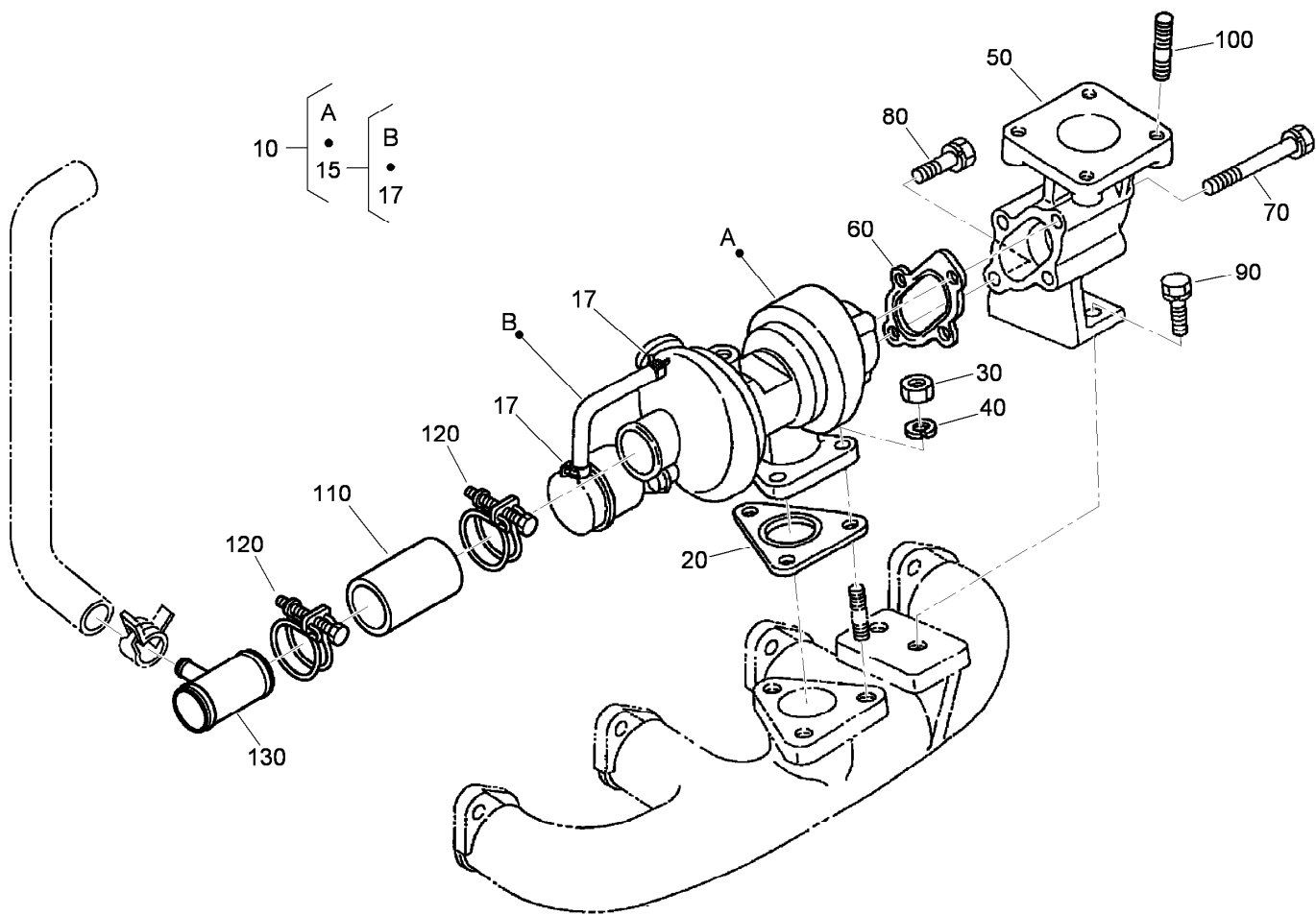
Valve and Rocker Arm Assembly

<i>Ref.</i>	<i>Part Number</i>	<i>Qty.</i>	<i>Description</i>
10	112-7018	4	Valve-Inlet
20	112-7019	4	Valve-Exhaust
30	98-9626	8	Spring-Valve
40	107-9092	8	Retainer-Spring
50	98-9390	8	Collet-Spring, Valve
60	99-8385	8	Seal-Stem, Valve
70	98-9497	8	Cap-Valve
80	105-3757	1	Shaft-Arm, Rocker
90	100-9265	2	Bolt
100	98-9505	4	Bracket-Arm, Rocker
110	98-9506	4	Stud
120	98-9393	4	Nut
130	98-9385	4	Washer-Flat
140	105-3758	2	Pin-Spring
150	98-9507	2	Washer-Shaft, Rocker Arm
160	110-3832	2	Washer-Plain
170	98-9504	3	Spring-Arm, Rocker
190	112-7020	8	Rocker Arm ASM
200	98-9502	8	Screw-Adjusting
210	98-9503	8	Nut



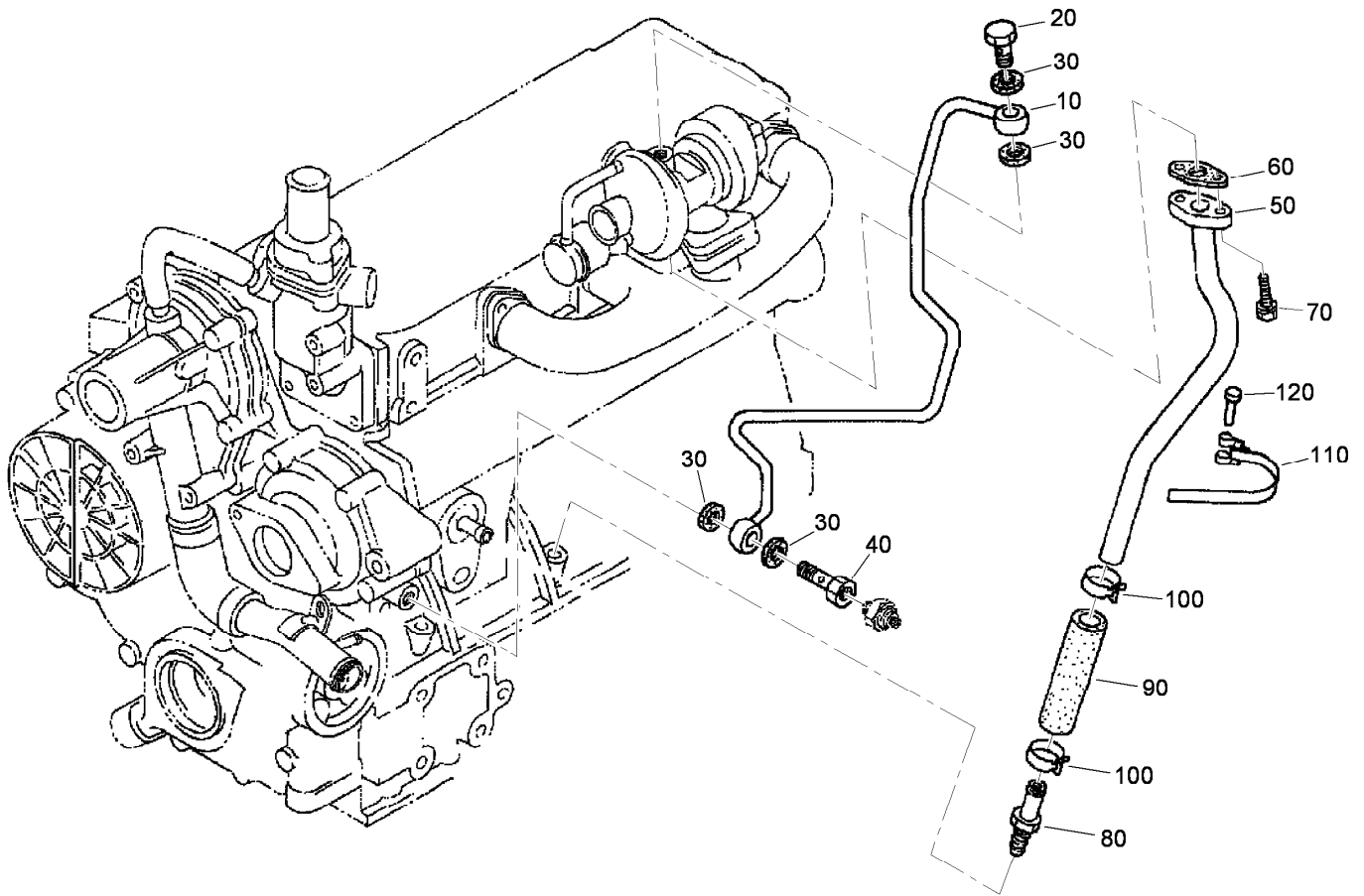
Inlet and Exhaust Manifold Assembly

<i>Ref.</i>	<i>Part Number</i>	<i>Qty.</i>	<i>Description</i>
10	105-3759	1	Inlet Manifold ASM
20	105-3760	1	Gasket-Manifold, Intake
30	98-7605	3	Bolt
40	98-9353	2	Bolt
50	105-3797	3	Bolt
60	115-4123	1	Hose-Inlet
70	115-3048	1	Clamp-Hose
80	115-3049	1	Clamp-Hose
90	108-4425	1	Manifold-Exhaust
100	105-3765	1	Gasket-Manifold, Exhaust
110	98-9588	8	Stud
120	98-9665	8	Nut
130	99-8342	3	Stud



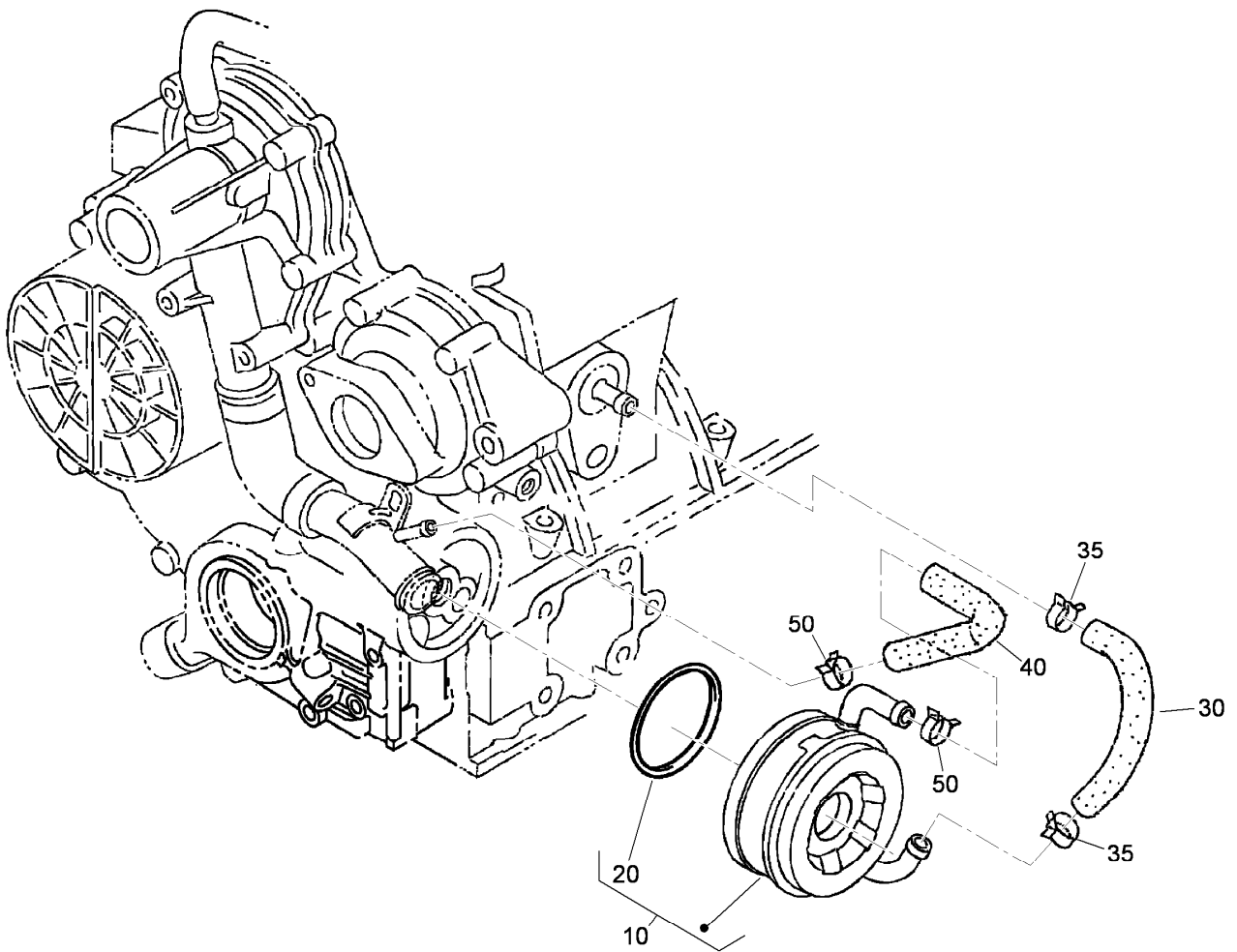
Turbo Charger Assembly

<i>Ref.</i>	<i>Part Number</i>	<i>Qty.</i>	<i>Description</i>
10	108-1412	1	Turbo Charger ASM
15	108-1413	1	Hose ASM
17	108-1414	2	Clamp-Hose
20	105-3767	1	Gasket
30	98-7534	3	Nut
40	105-2893	3	Washer-Spring
50	99-8335	1	Flange-Muffler
60	105-3768	1	Gasket
70	99-8336	3	Bolt
80	105-2895	1	Bolt
90	98-7610	2	Bolt
100	98-7769	4	Stud
110	115-4101	1	Tube-Inlet, Turbo
120	115-4102	2	Band
130	115-4103	1	Pipe-Inlet, Breather



Oil Pipe (Turbo Charger) Assembly

<i>Ref.</i>	<i>Part Number</i>	<i>Qty.</i>	<i>Description</i>
10	108-4424	1	Oil Pipe ASM
20	115-4126	1	Bolt-Joint, Eye
30	99-8346	4	Gasket
40	98-9417	1	Bolt-Joint, Eye
50	108-4423	1	Oil Pipe ASM
60	108-4422	1	Gasket
70	98-7605	2	Bolt
80	105-3771	1	Oil Pipe ASM
90	98-9721	1	Pipe-Oil
100	98-9714	2	Clamp-Hose
110	98-9601	1	Clamp-Pipe
120	98-9591	1	Pin-Band



Oil Cooler Assembly

<i>Ref.</i>	<i>Part Number</i>	<i>Qty.</i>	<i>Description</i>
10	104-5158	1	Oil Cooler ASM
20	112-7030	1	O-Ring
30	98-9724	1	Pipe-Cooler, Oil
35	98-9579	2	Band-Pipe
40	98-9578	1	Pipe-Return, Water
50	98-9579	2	Band-Pipe

Attachments and Accessories

For 30659 LT-F3000 Heavy-Duty Triple Turf Flail Mower

Product Name	Model/Part
Road Light Kit including Brake Lights.....	02918
Flashing Beacon Kit.....	02920
Flashing Beacon Kit (Cab).....	134-0264
Cab with Air-Conditioner.....	02895
Air Conditioning Fit Kit (V1505T & LT-F3000).....	02893
TUV Deck Cover Kit Flails.....	02991
TÜV Kit - Speed Decal 20kph.....	02980
TÜV Kit - German Vehicle Serial Plate.....	02983
Fuse-In Line.....	111-5101
Warning Triangle.....	111-4250
Standard Seat Fabric Upgrade Kit.....	02864
Deluxe Replacement PVC Air Seat.....	02865
Deluxe Replacement Fabric Air Seat.....	02866
Blower Carrier Kit.....	02921
Kevlar Tyre Kit.....	02914
Slope Indicator Kit.....	111-9225
Blade Sharpening Kit.....	111-9684
MVP Kit, LT-F3000 Traction Unit.....	111-9682
Cutter Unit.....	02830
Roller-Smooth Mk3 (Sealed for Life).....	111-1848
Mk.3 250mm 4-Blade LH-Helix Cutter Unit.....	02815
Mk.3 250mm 6-Blade LH-Helix Cutter Unit.....	02816
Mk.3 250mm 8-Blade LH-Helix Cutter Unit.....	02817
Fuel Tank Kit.....	134-2025
Storage Lock Kit.....	134-2167
Rear View Mirrors Kit.....	111-9895
Reel Conversion Kit.....	02827

Notes:

Notes:

Notes:



Count on it.