

# Sunshade Kit

## Zero-Turn Riding Mowers

Model No. 140-2054

### Installation Instructions

1. Park the machine on a level surface, disengage the blade-control switch, and move the motion-control levers outward to the PARK position.
2. Shut off the engine, remove the key, and wait for all moving parts to stop before leaving the operating position.
3. Support the rear of the machine with jack stands and remove the rear tires.
4. Secure the receiver brackets to the front 2 holes in the frame using 2 bolts (1/2 inch x 1-1/8 inch) and split lockwashers (Figure 1). If your machine is not equipped with a ROPS, insert the spacer plate as shown in Figure 1.

**Important:** Ensure that you do not pinch any cables or fuel lines when installing the receiver bracket.

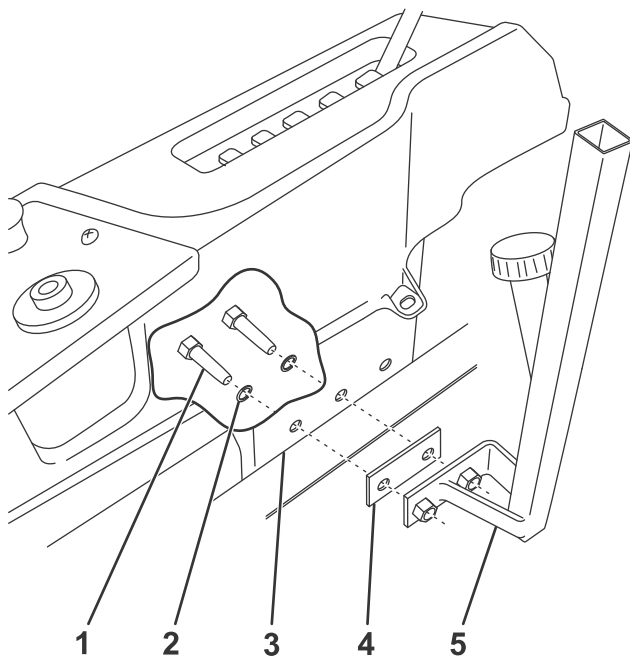


Figure 1

1. Bolt (1/2 inch x 1-1/8 inch)
2. Split lockwasher (1/2 inch)
3. Frame
4. Spacer plate (optional)
5. Receiver bracket

5. Loosely secure the outer holes of the front bow to the second holes of the rear bow using 2 bolts (1/4 x 5/8 inch) and locknuts (Figure 2).

**Note:** Ensure that the ends of the front bow are on the outside of the rear bow.

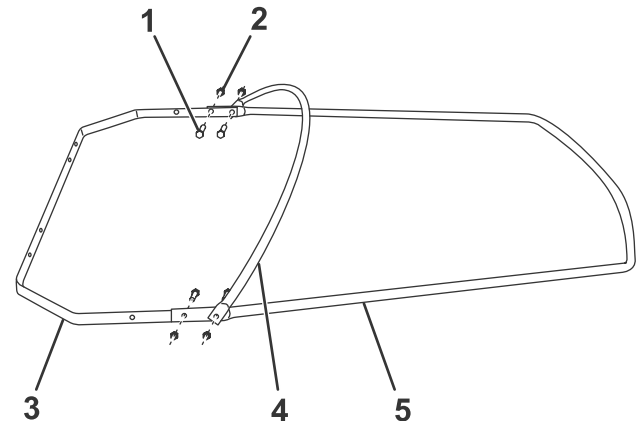
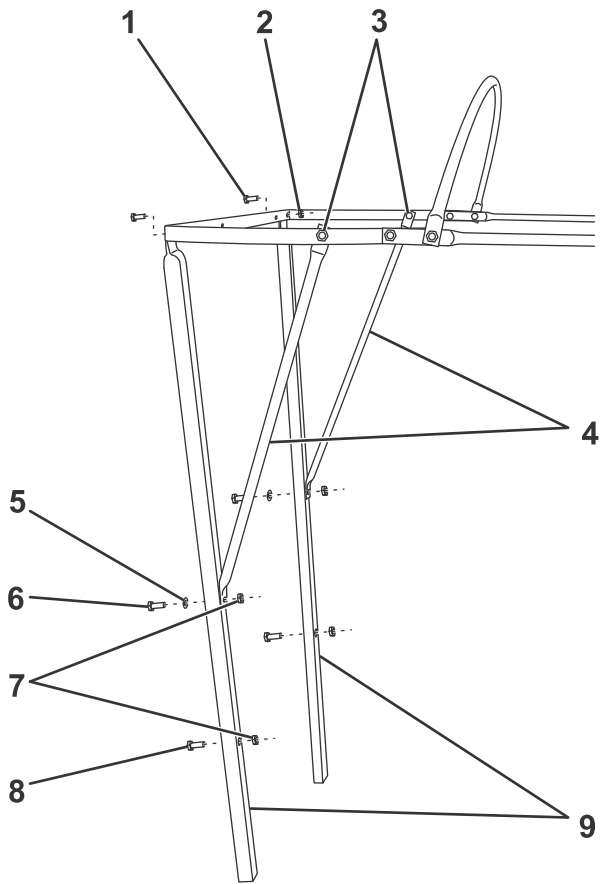


Figure 2

1. Bolt (1/4 x 5/8 inch)
2. Locknut
3. Rear bow
4. Top bow
5. Front bow

6. Loosely secure the top bow to the front and rear bow using 2 bolts (1/4 x 5/8 inch) and locknuts (Figure 2).
7. Angle the top bow approximately 10 cm (4 inches) forward of vertical and tighten the fasteners.
8. Loosely secure the braces to the posts using 2 bolts (1/4 x 1-1/4 inches), washers, and locknuts (Figure 3).





**Figure 3**

g309690

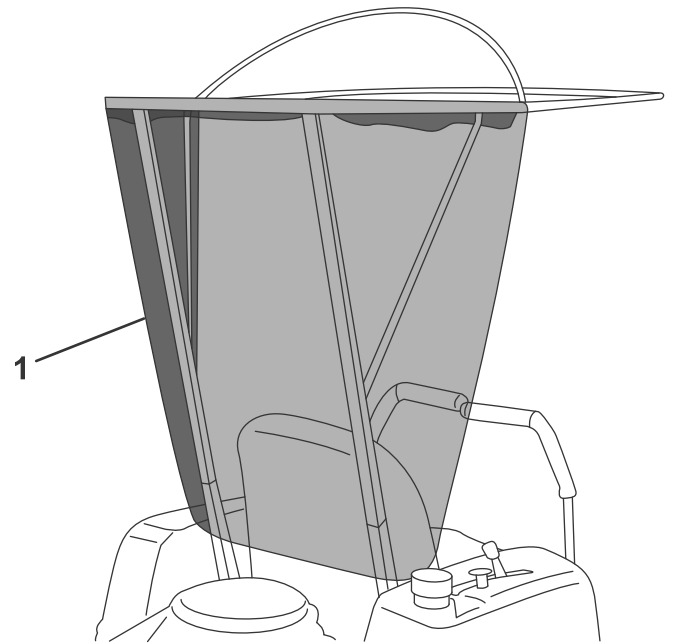
- |   |                              |
|---|------------------------------|
| 1. Bolt (1/4 x 5/8 inch)                      | 6. Bolt (1/4 x 1-1/4 inches) |
| 2. Locknut (1/4 inch)                         | 7. Locknut (1/4 inch)        |
| 3. Bolt 1/4 x 5/8 inch and locknut (1/4 inch) | 8. Bolt (1/4 x 1 inch)       |
| 4. Brace                                      | 9. Post                      |
| 5. Washer (1/4 inch)                          |                              |

9. Loosely secure the tops of the braces and posts to the rear bow using 4 bolts (1/4 x 5/8 inch) and locknuts (Figure 3).
10. Install the remaining 2 bolts (1/4 x 1 inch) through the bottom holes on the braces and secure them with locknuts (Figure 3).
11. Insert the posts into the receiver brackets.

**Note:** Apply wax to the ends of the posts for ease of insertion and removal.

**Important:** Remove the sunshade before hauling the machine.

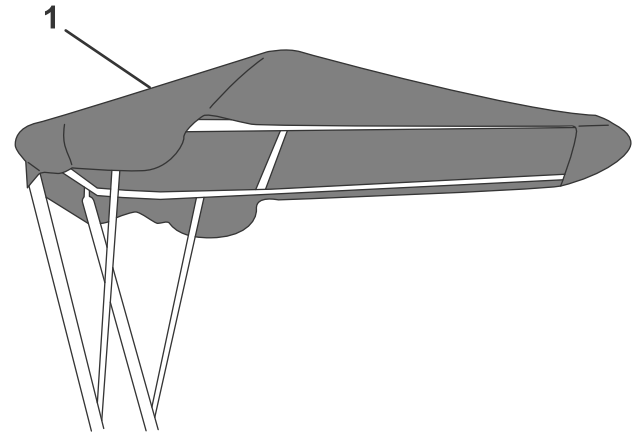
12. Tighten all of the fasteners.
13. Secure the rear screen to the rear bow and posts (Figure 4).



**Figure 4**

g309691

1. Rear screen
- 
14. Slip the sunshade over the front bow and pull it back over the rear bow (Figure 5). Angle the top bow up or down to tighten or loosen the sunshade.



**Figure 5**

g309692

1. Sunshade
- 
15. Install the previously removed wheels; torque the lug nuts to 95 to 122 N·m (70 to 90 ft-lb).