



Count on it.

Parts Catalog

MB-1600 Mud Buggy

Model No. 68038—Serial No. 407900000 and Up



Ordering Replacement Parts

To order replacement parts, please supply the part number, the quantity, and the description of each part desired.

Understanding Reference Numbers

Each identified part in an illustration has a reference number. The reference number for a part also appears in the parts list, along with other information about the part.

This catalog uses two special reference number formats, one to indicate parts in a service assembly and another to indicate the quantity of a given part in an illustration.

Service Assembly Reference Numbers

Parts in service assemblies have reference numbers in the form a:b. The a represents the reference number of the entire service assembly and the b represents a sequential number unique to each part within the service assembly.

For example, a wheel assembly might be identified by reference number 6, the tire by 6:1, the valve by 6:2, and the wheel by 6:3. When you order the assembly identified by reference number 6, you receive all parts identified by reference numbers 6:1, 6:2, and 6:3. However, you may also order any part individually. Reference numbers of this type appear in illustration and in parts lists.

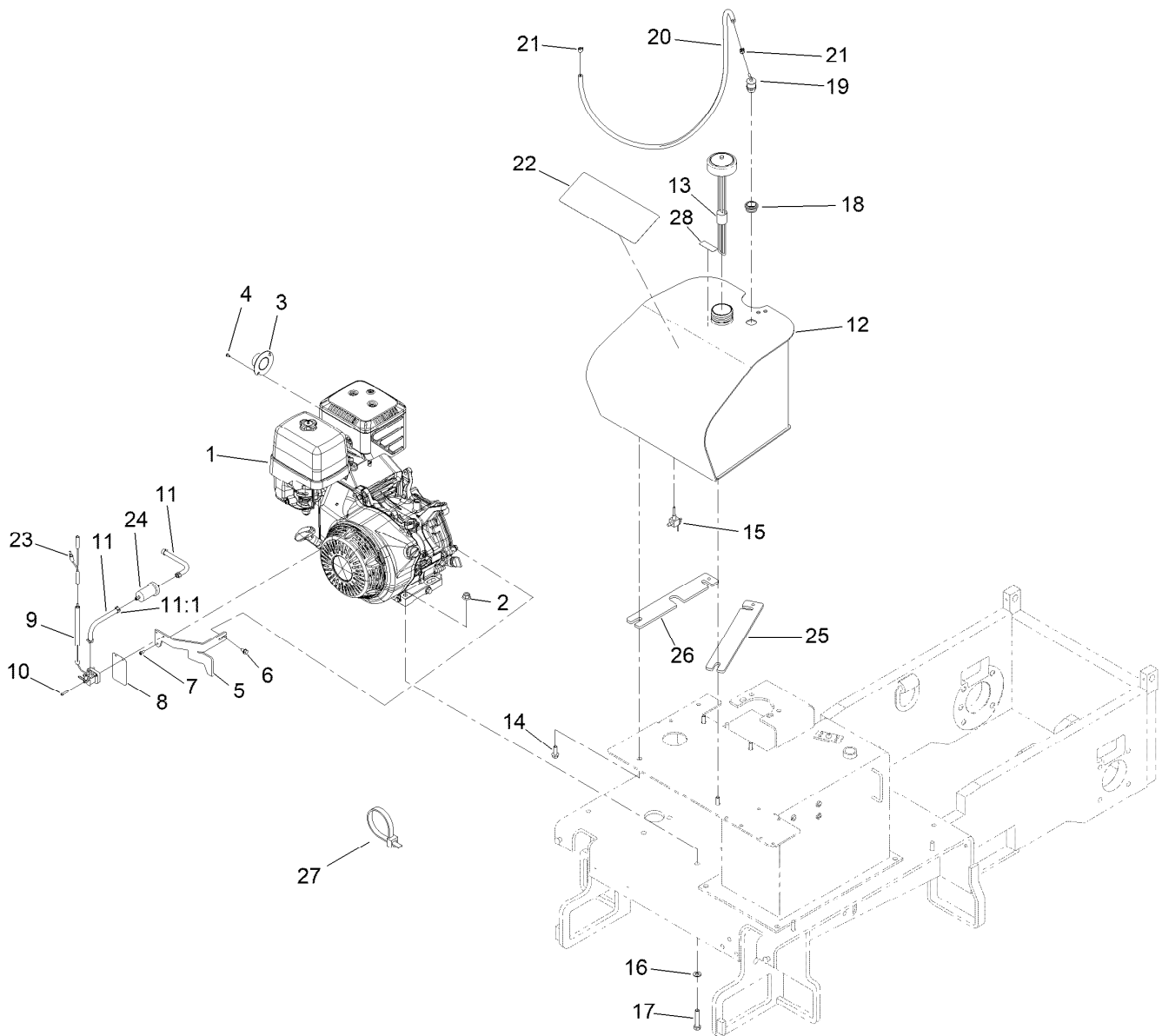
Reference Numbers Indicating Quantity

In an illustration, if a reference number indicates more than one part, the reference number has the form nX y. The n represents the quantity of the part, the X is the multiplication symbol, and the y represents the reference number.

For example, in an illustration, the reference number 2X 37 means that two of the parts identified by reference number 37 are indicated.

Contents

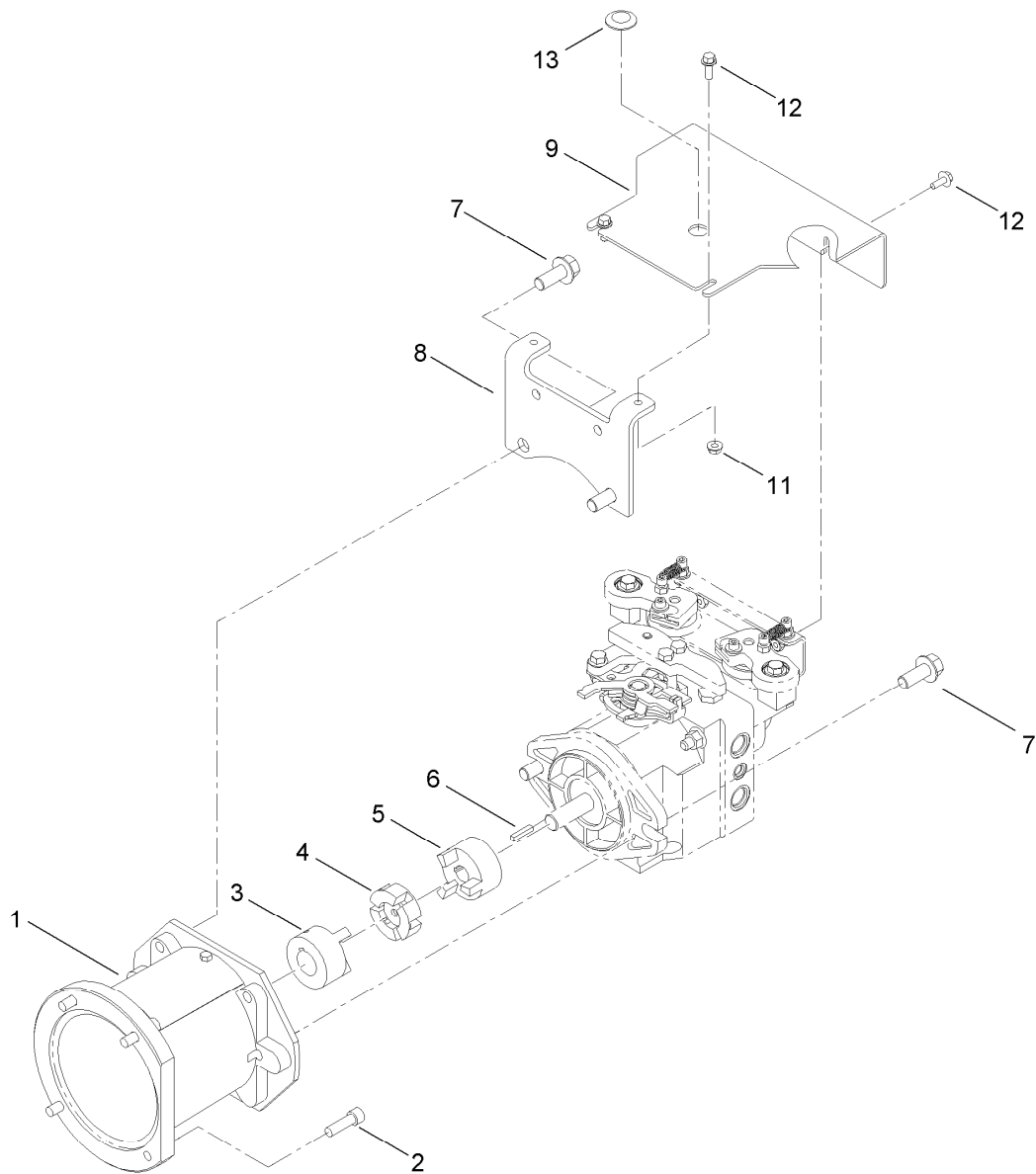
Engine and Fuel Tank Assembly	4
Pump Adaptor and Mounting Assembly	5
Piston Pump and Bracket Assembly	6
Hydraulic Piston Pump Assembly No. ST50957	7
Gear Motor and Cylinder Assembly	8
Hydraulic Motor Assembly No. ST50926	9
Main Frame Assembly	10
Brake and Hopper Assembly	11
Steering Handle and Axle Assembly	12
Wheel and Brake Assembly	13
Front Wheel and Hub Assembly	14
Hub Assembly No. 139-1328	15
Hydraulic Tank and Dump Pedal Assembly	16
Hydraulic Hard Line Routing Assembly	18
Hydraulic Hose and Fitting Assembly	19



Engine and Fuel Tank Assembly

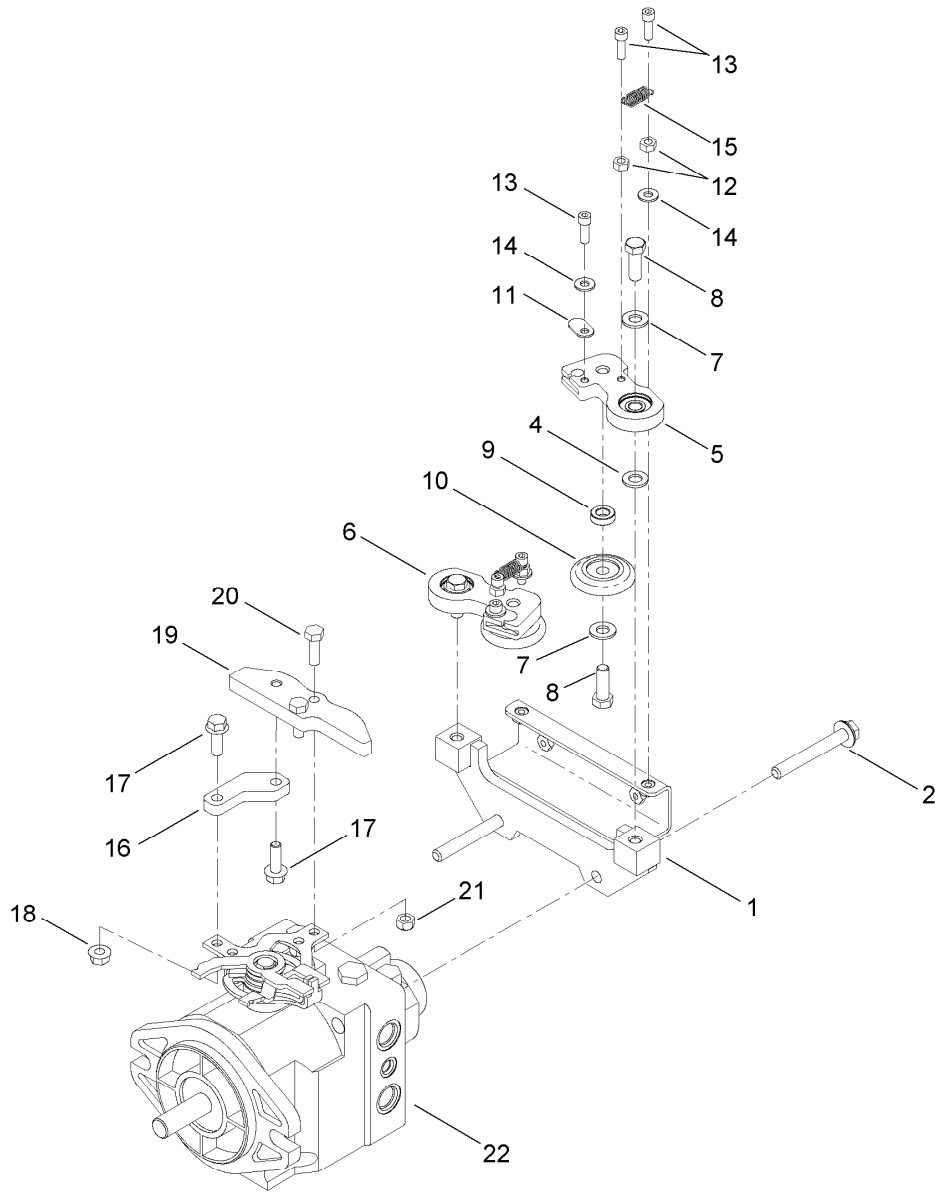
Ref.	Part Number	Qty.	Description	Ref.	Part Number	Qty.	Description
1	125-4819	1	Engine-Honda, Gx390 ●	15	ST39056	1	Valve-Strainer
2	33005-00	4	Nut-HF	16	33095-00	4	Washer-Flat
3	ST50553-03	1	Deflector-Exhaust	17	33115-050	4	Screw-HH
4	125-0519	2	Screw-Self Tapping	18	114-0284	1	Grommet
5	ST45910-03	1	Bracket-Switch, Stop Fuel	19	119-3547	1	Valve-Vent, Fuel
6	104-2628	1	Screw	20	108-9698	1	Hose-Fuel
7	115-8733	1	Screw-HSH	21	2412-80	2	Clamp-Hose
8	125-4966	1	Hang Tag-Run, Stop	22	125-4958	1	Decal-Operation
9	ST58582	1	Fuel Shut Off Valve ASM	23	127-2880	1	Harness-Wire, Shut Down T
10	119-7444	2	Screw-HSBH	24	ST36144	1	Filter-Fuel
11	127-2810	2	Fuel Hose Kit	25	127-5595-03	1	Plate-Tank Stand Off
11:1	2412-98	2	Clamp-Hose	26	127-5598-03	1	Plate-Tank Stand Off
12	130-2101	1	Tank ASM	27	3290-378	1	Tie-Cable
13	130-2117	1	Gauge-Fuel	28	130-8322	1	Decal-Warning, Ethanol
14	33104-025	4	Screw-HHF				

● Obtain parts from www.honda-engines.com



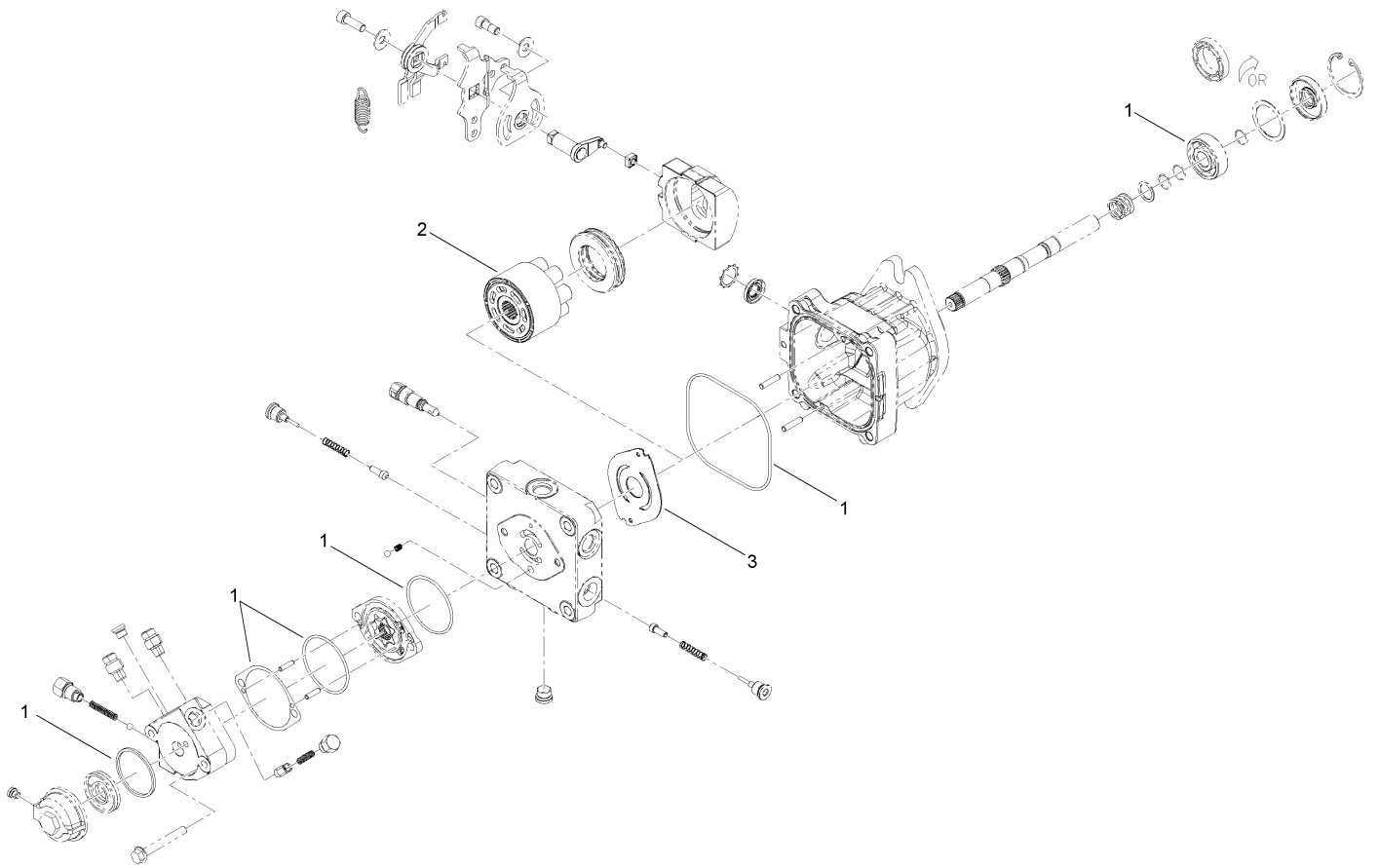
Pump Adaptor and Mounting Assembly

<i>Ref.</i>	<i>Part Number</i>	<i>Qty.</i>	<i>Description</i>
1	ST32432	1	Adaptor-Motor, Pump
2	3274-1	4	Screw-HSH
3	ST37547	1	Coupling-Engine
4	ST37548	1	Insert-Coupling
5	ST45154	1	Coupling-Pump
6	ST45093	1	Key-Square
7	3234-32	4	Screw-HHF
8	ST50952-03	1	Plate-Mounting, Cable
9	ST50953-03	1	Cover-Control, Pump
11	32128-14	2	Nut-HF
12	99-6810	4	Screw-HHF
13	ST57909	1	Plug-Button



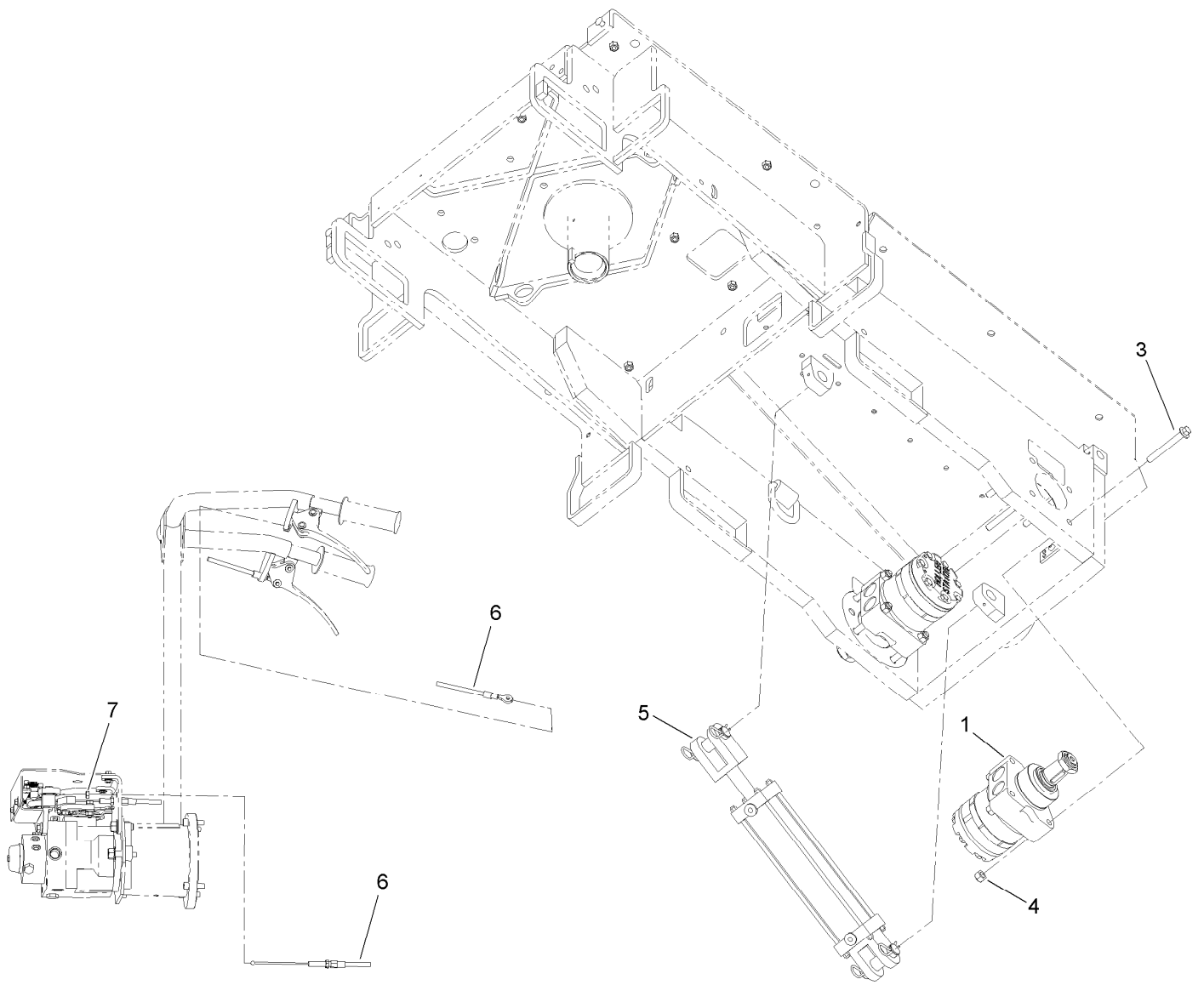
Piston Pump and Bracket Assembly

<i>Ref.</i>	<i>Part Number</i>	<i>Qty.</i>	<i>Description</i>	<i>Ref.</i>	<i>Part Number</i>	<i>Qty.</i>	<i>Description</i>
1	125-6369	1	Bracket-Control, Pump	13	3274-64	6	Screw-HSH
2	33105-070	2	Screw-HHF	14	3256-22	4	Washer-Flat
4	33095-00	2	Washer-Flat	15	ST50991	2	Spring-Extension, Control Pump
5	125-8557	1	Control-Pivot Right	16	ST50951	1	Plate-Arm, Control
6	125-8555	1	Control-Pivot Left	17	33104-025	2	Screw-HHF
7	3256-24	4	Washer-Flat	18	33004-00	1	Nut-HF
8	323-18	4	Screw-HH	19	ST50954	1	Plate-Pump, Control
9	ST50948	2	Spacer-Pivot	20	33114-025	2	Screw-HH
10	ST43873	2	Wheel-Cutting, Table	21	33024-00	2	Nut-Lock, NI
11	ST50955	2	Cover-End, Cable	22	ST50957	1	HYD Piston Pump ASM
12	3217-5	4	Nut-Hex				



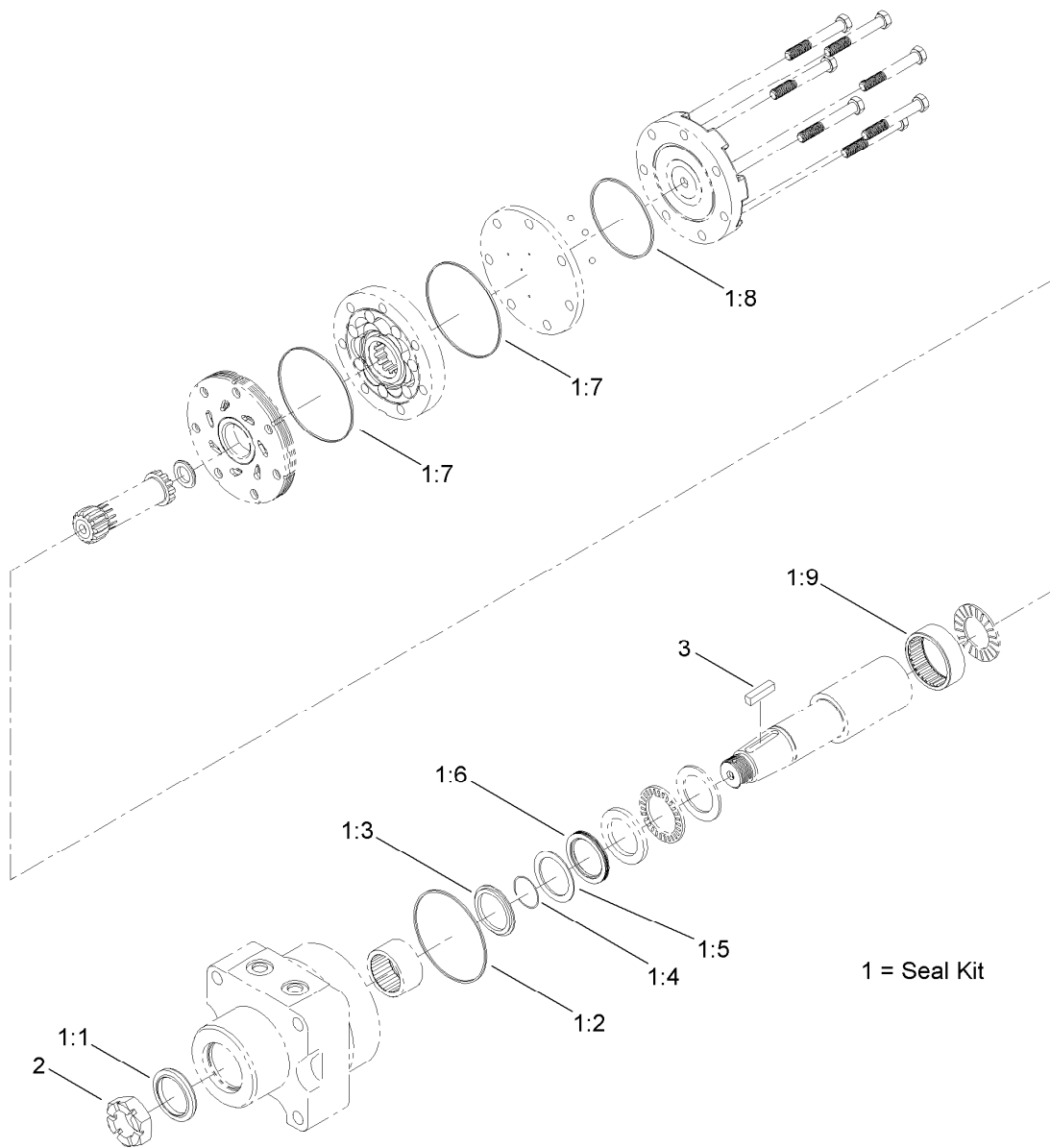
Hydraulic Piston Pump Assembly No. ST50957

<i>Ref.</i>	<i>Part Number</i>	<i>Qty.</i>	<i>Description</i>
1	100-6110	1	Overhaul Seal Kit
2	127-3867	1	Cylinder Block Kit
3	100-6112	1	Plate-Valve



Gear Motor and Cylinder Assembly

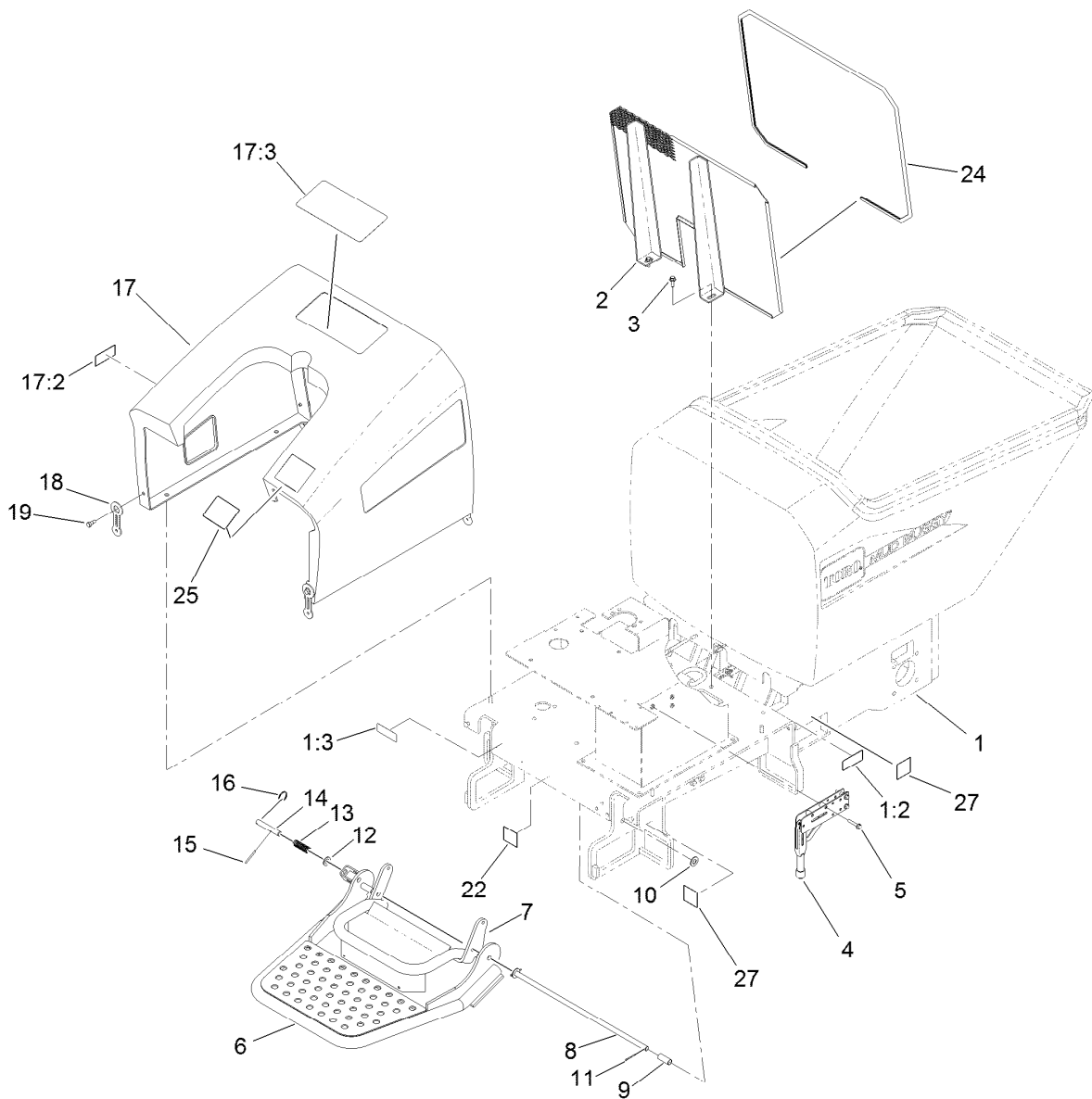
<i>Ref.</i>	<i>Part Number</i>	<i>Qty.</i>	<i>Description</i>
1	ST50926	2	HYD Gear Motor ASM
3	33106-100	8	Screw-HHF
4	33026-00	8	Nut-Hex
5	ST50501	1	HYD Cylinder ASM
6	ST50959	2	Cable-Control
7	3220-3	2	Nut-HJ



Hydraulic Motor Assembly No. ST50926

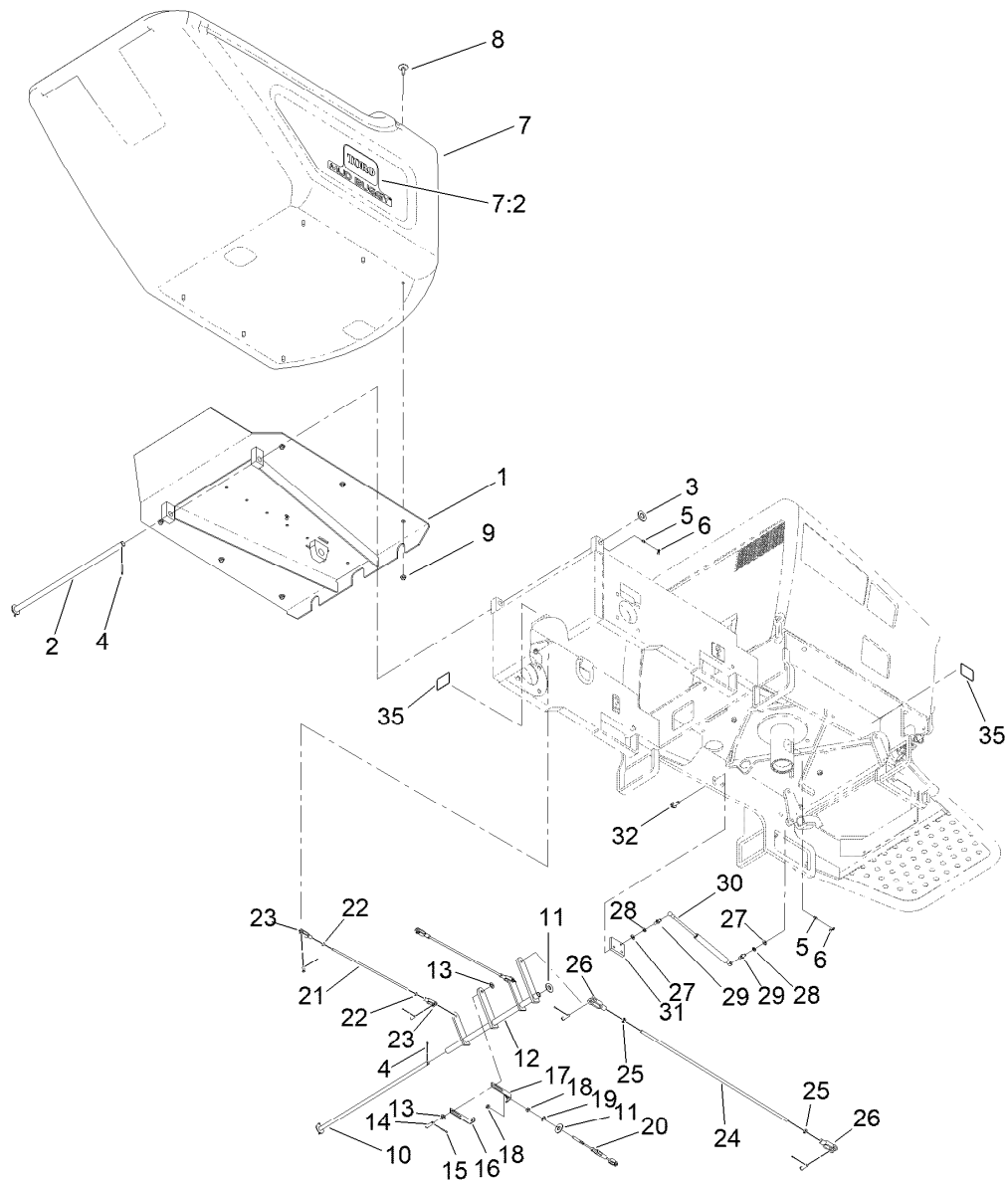
Ref.	Part Number	Qty.	Description
1	127-5568	1	Seal Kit
1:1		1	Seal-Dust ●
1:2		1	Seal-Housing ●
1:3		1	Ring-Back Up, Metal ●
1:4		1	Shim-Back Up ●
1:5		1	Seal-Back Up ●
1:6		1	Seal-Shaft ●
1:7		2	Seal-Body ●
1:8		1	Seal-Endcover ●
1:9		1	Bearing-Housing, Rear ●
2	127-5569	1	Nut-Shaft
3	127-5570	1	Key-Shaft

● Not serviced separately



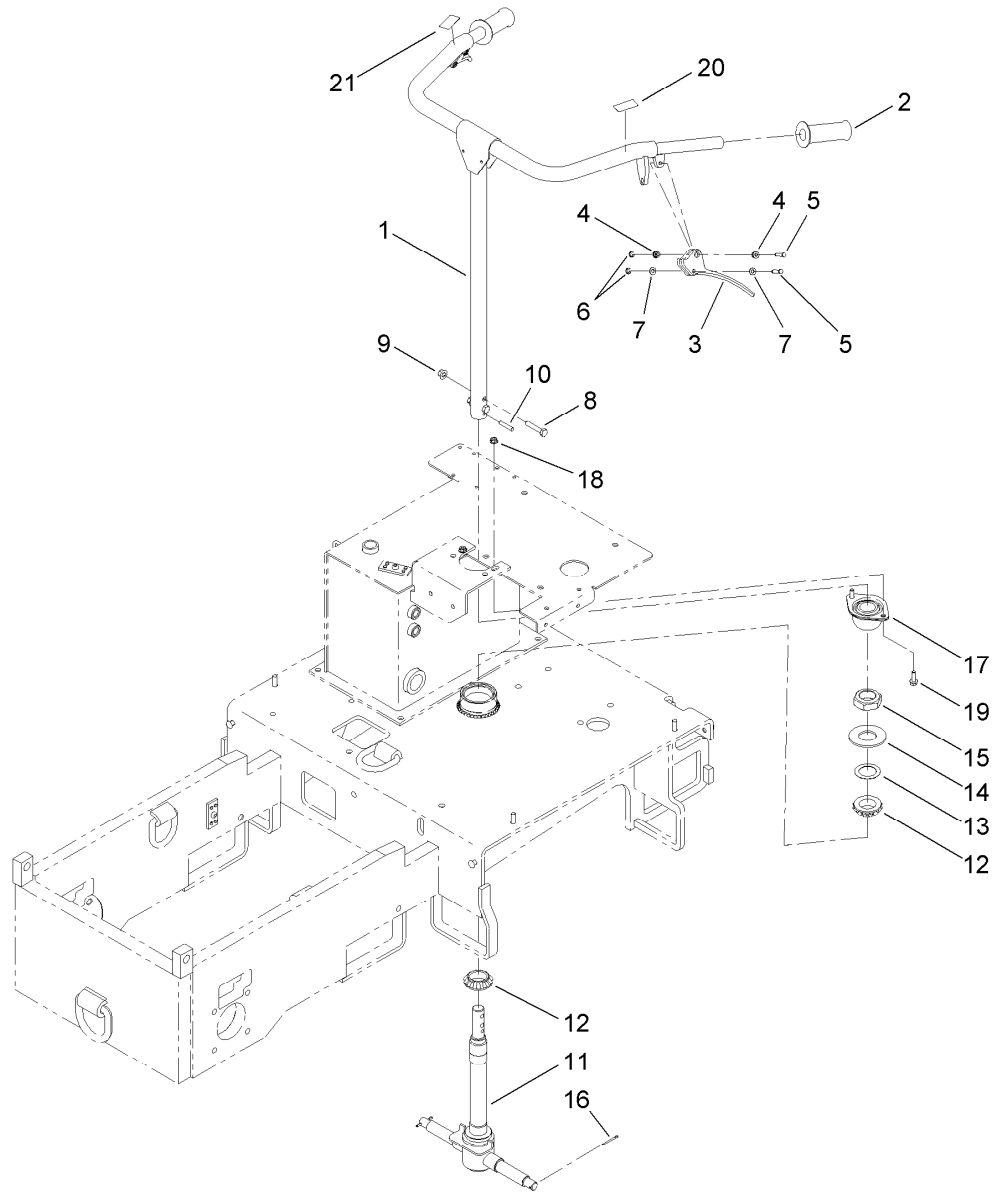
Main Frame Assembly

<i>Ref.</i>	<i>Part Number</i>	<i>Qty.</i>	<i>Description</i>	<i>Ref.</i>	<i>Part Number</i>	<i>Qty.</i>	<i>Description</i>
1	127-2834	1	Main Frame ASM	13	ST45055	1	Spring-Compression
1:2	125-4959	2	Decal-Warning, Crushing	14	ST45056	1	Pin-Lockout, Step
1:3	133-8062	1	Decal-Arrestor, Spark	15	ST81122	1	Pin
2	125-8233-03	1	Guard-Splash	16	ST81124	1	Ring-Split
3	3234-42	2	Screw-HHF	17	127-2833	1	Engine Cowl ASM
4	ST38095	1	Lever	17:2	125-4963	1	Decal-Surface, Hot
5	33104-045	3	Screw-HHF	17:3	127-2855	1	Decal-Warning
6	125-8696-03	1	Step-Platform	18	ST47182	4	Latch-Rubber
7	125-8235-03	1	Pedal-Brake	19	ST81130	4	Screw-HSBH
8	ST45113	1	Shaft-Pivot, Step	22	125-8190	1	Decal-Brake Pedal
9	ST45249	2	Spacer-Brake	24	127-5590	1	Trim-Splash Guard
10	3256-27	2	Washer-Flat	25	130-2844	1	Decal-Dump
11	3272-13	6	Pin-Cotter	27	125-4967	4	Decal-Lift Here
12	33098-00	1	Washer-Flat				



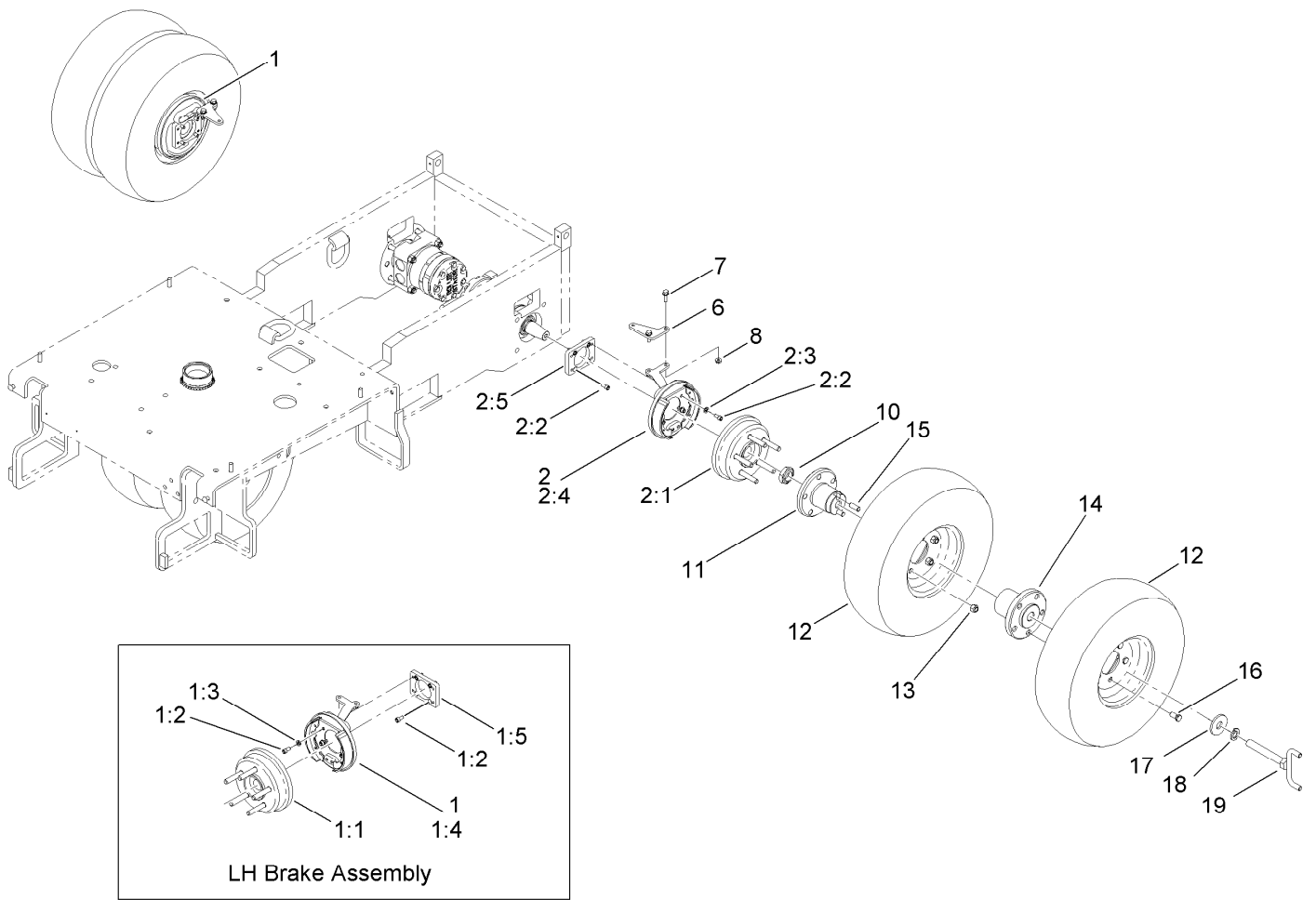
Brake and Hopper Assembly

Ref.	Part Number	Qty.	Description	Ref.	Part Number	Qty.	Description
1	140-7666-03	1	Hopper Base ASM [black]	17	ST45128	1	Clevis-Half (Notched)
2	ST45096	1	Shaft-Pivot	18	3220-2	2	Nut-Jam
3	3256-28	2	Washer-Flat	19	32120-47	1	Ring-Retaining, External
4	3272-13	6	Pin-Cotter	20	ST45199	1	Cable-Brake, Buggy
5	302-5	7	Fitting-Grease	21	ST50995	2	Rod-Brake, Front
6	ST47001	7	Cap-Plug	22	3219-1	4	Nut-Hex
7	139-7240	1	Hopper-Mortar, ASM	23	103509	4	Yoke
7:2	139-7234	2	Decal-Mud Buggy	24	ST45222	1	Rod-Brake
8	ST80740	6	Bolt-Elevator	25	3220-3	2	Nut-HJ
9	104-8301	6	Nut-HF, NI	26	1-633131	2	Yoke-Linkage, Brake
10	ST50925	1	Shaft-Pivot, Lever (Brake)	27	3256-23	2	Washer-Plain
11	3256-6	3	Washer-Flat	28	3253-4	2	Washer-Lock
12	ST50571-03	1	Lever-Brake	29	103-5752	2	Stud-Ball
13	3256-24	2	Washer-Flat	30	ST36571	1	Spring-Gas
14	ST81110	1	Pin-Clevis	31	ST57435	1	Plate-Pivot, Spring (Gas)
15	3272-10	1	Pin-Cotter	32	33105-025	2	Screw-HHF
16	ST45129	1	Clevis-Half	35	125-6694	3	Decal-Tie Down



Steering Handle and Axle Assembly

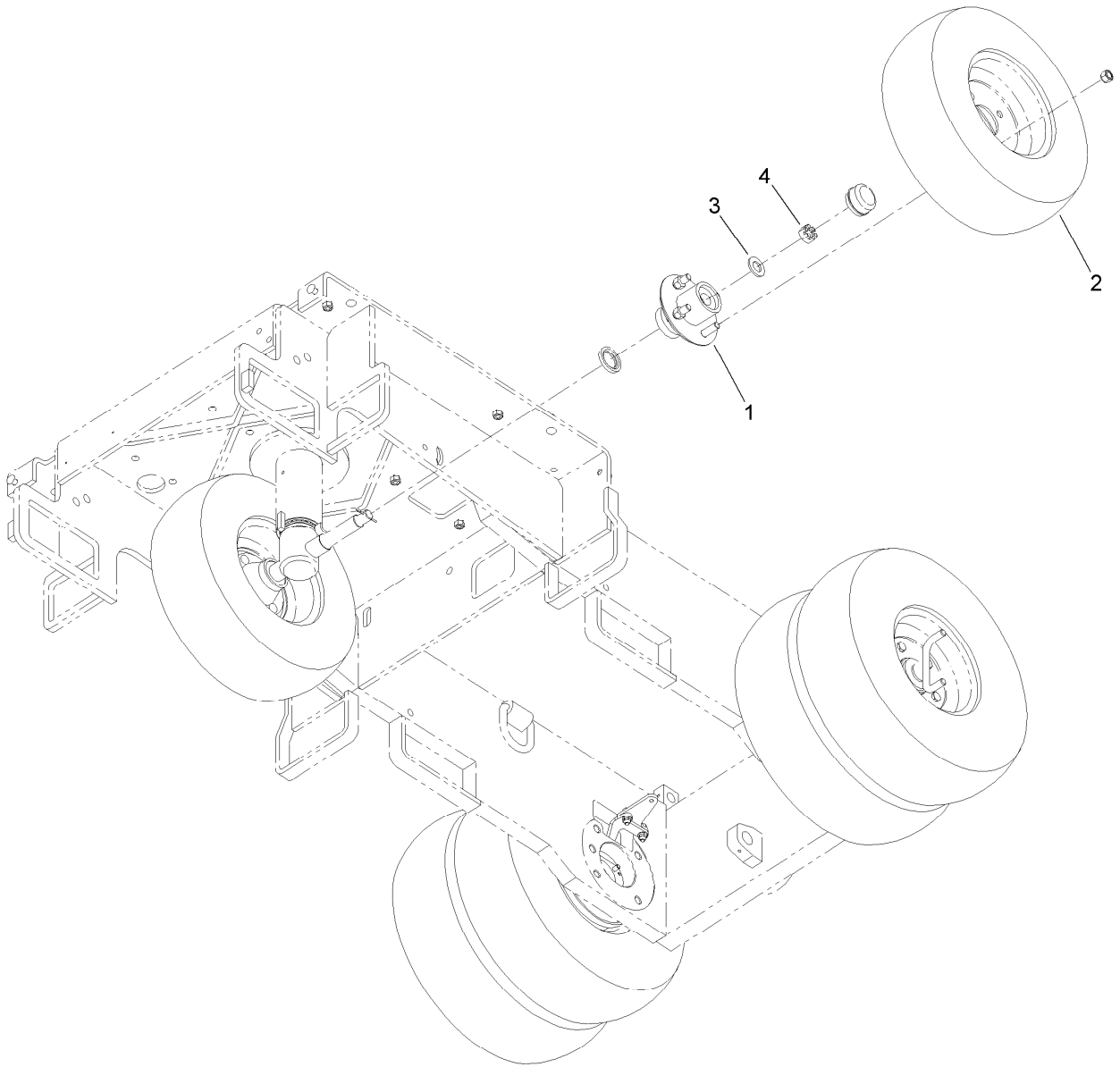
<i>Ref.</i>	<i>Part Number</i>	<i>Qty.</i>	<i>Description</i>	<i>Ref.</i>	<i>Part Number</i>	<i>Qty.</i>	<i>Description</i>
1	ST50941-03	1	Handle-Steering	12	ST32161	2	Bearing-Roller
2	ST47125	2	Grip-Handle	13	ST81109	1	Washer-Thrust
3	ST50937	2	Handle-Control,	14	ST36934	1	Plate-Cover, Bearing
4	ST50938	4	Bushing-Lever, Control	15	ST81108	1	Nut
5	ST81220	4	Pin-Clevis	16	3272-13	2	Pin-Cotter
6	32151-86	4	E-Ring	17	ST45930	1	Spherical Bearing ASM
7	3256-22	4	Washer-Flat	18	32128-26	2	Nut-Flange
8	33115-050	2	Screw-HH	19	3234-29	2	Screw-HHF
9	33005-00	2	Nut-HF	20	125-4961	1	Decal-Reverse
10	ST80309	1	Pin	21	125-4960	1	Decal-Forward
11	ST37358-03	1	Axle-Steering				



Wheel and Brake Assembly

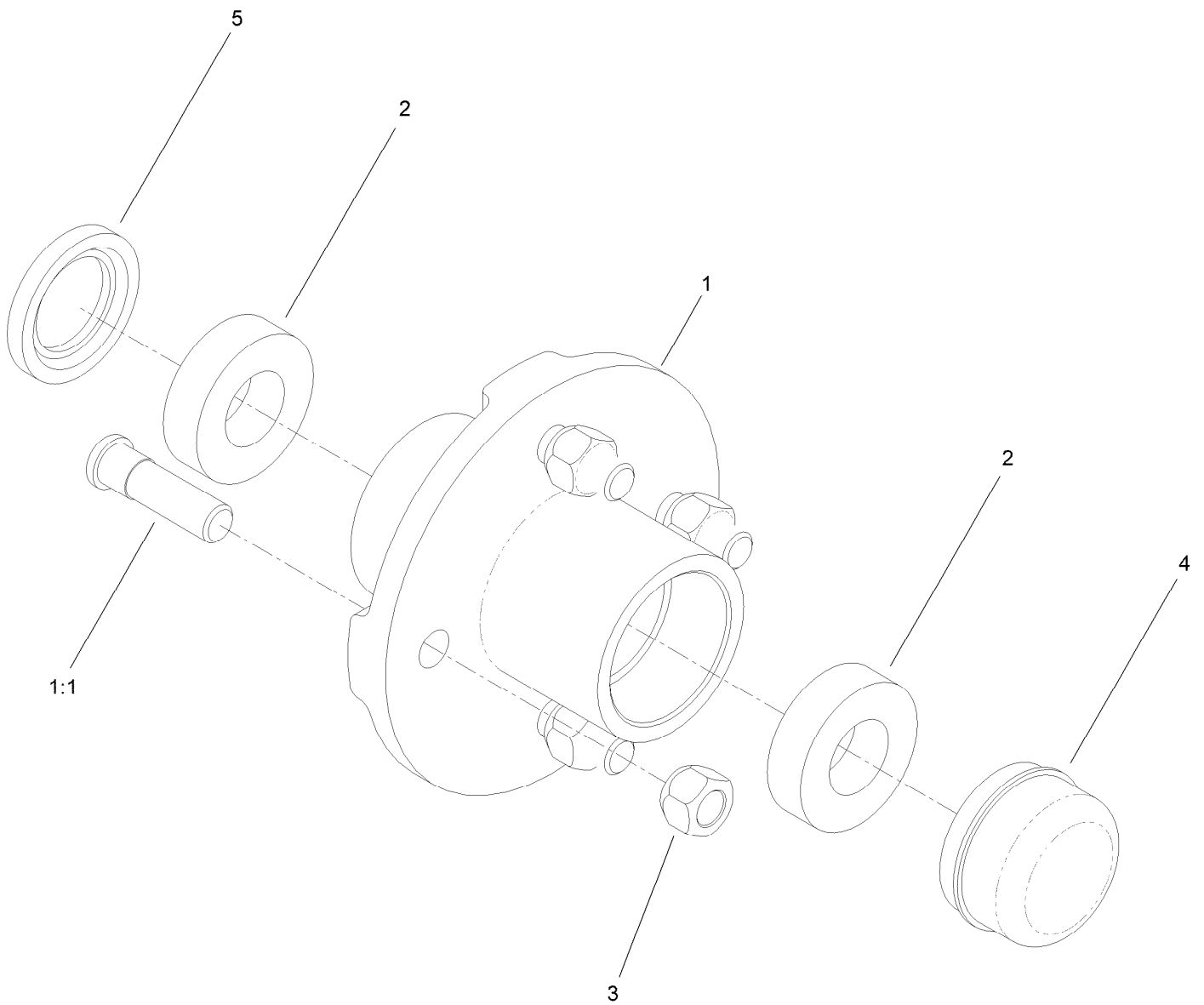
Ref.	Part Number	Qty.	Description
1	ST50927	1	LH Brake ASM
1:1	127-5562	1	5 Lug Hub ASM
1:2	127-5563	8	Bolt
1:3	127-5564	4	Washer-Lock
1:4	127-5565	1	Brake-LH
1:5	127-5567	1	Block-Brake Mount
2	ST50928	1	RH Brake ASM
2:1	127-5562	1	5 Lug Hub ASM
2:2	127-5563	8	Bolt
2:3	127-5564	4	Washer-Lock
2:4	127-5566	1	Brake-RH
2:5	127-5567	1	Block-Brake Mount
6	ST50923	2	Plate-Linkage, Brake

Ref.	Part Number	Qty.	Description
7	3234-29	4	Screw-HHF
8	32128-26	4	Nut-Flange
10	127-5569	2	Nut-Shaft
11	ST50994	2	Spacer-Wheel, 5 Bolt
12	ST45197	4	Wheel ASM (With Foam)
13	ST80045	10	Nut-Lug
14	ST45080	2	Spacer-Wheel
15	ST80423	4	Pin-Rod, Connecting
16	ST81114	10	Bolt-Lug
17	ST81014	2	Washer-Flat
18	100-7607	2	Washer-Lock
19	ST45106	2	Pin-Quick Release



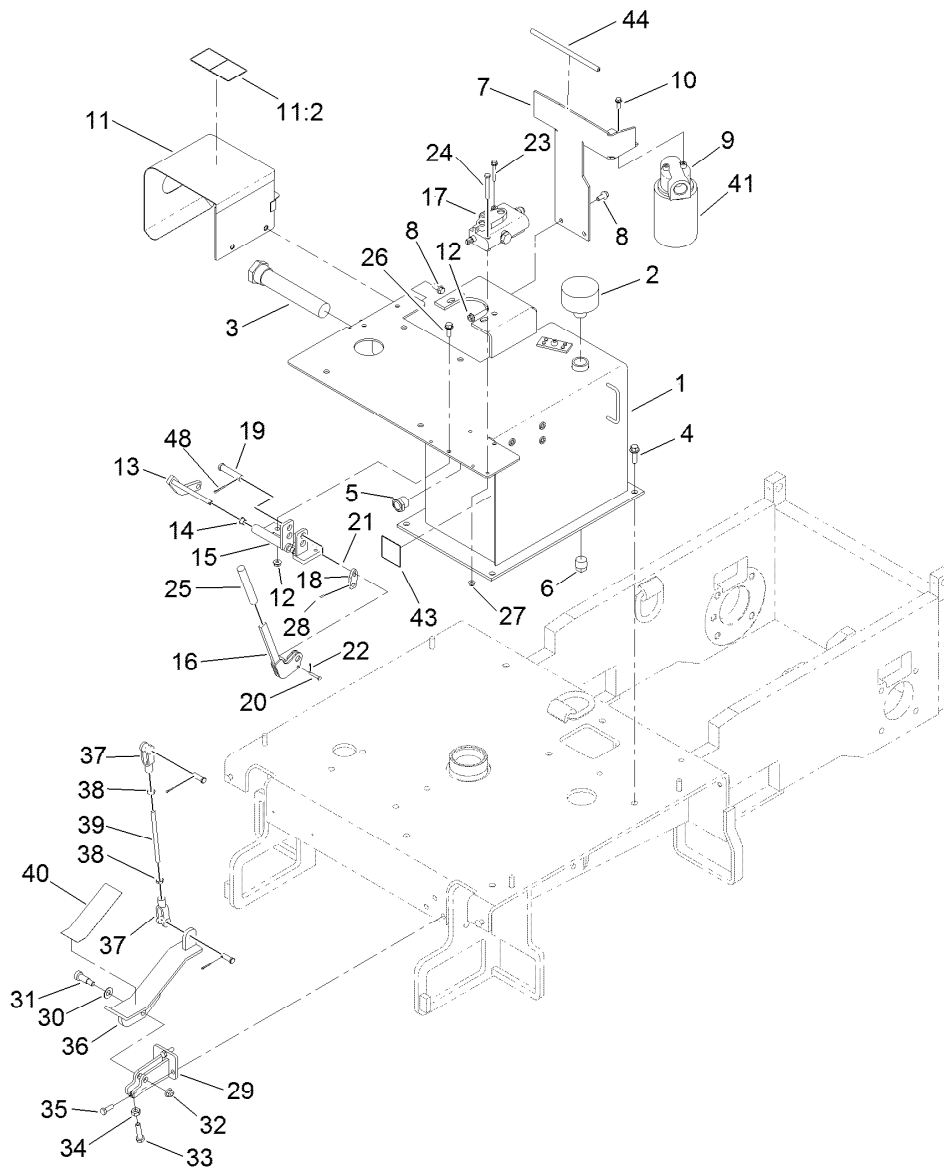
Front Wheel and Hub Assembly

<i>Ref.</i>	<i>Part Number</i>	<i>Qty.</i>	<i>Description</i>
1	139-1328	2	Hub ASM
2	ST45176	2	Wheel ASM (With Foam)
3	3256-28	2	Washer-Flat
4	ST80054	2	Nut



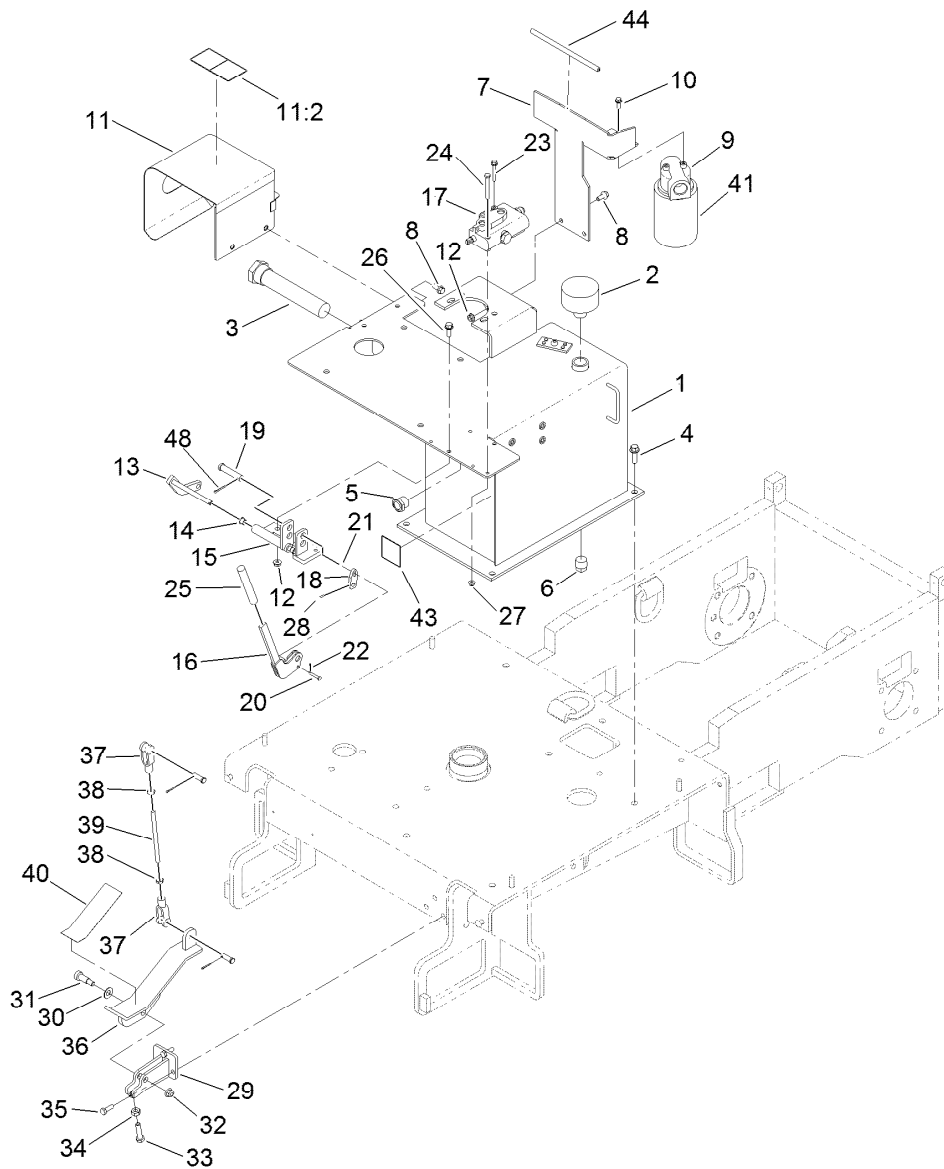
Hub Assembly No. 139-1328

<i>Ref.</i>	<i>Part Number</i>	<i>Qty.</i>	<i>Description</i>
1	139-1327	1	Hub-4In
1:1	ST39190	4	Stud-Wheel
2	ST32233	2	Bearing-Roller
3	ST80045	4	Nut-Lug
4	ST34573	1	Cap-Dust
5	ST32052	1	Seal-Hub, Wheel



Hydraulic Tank and Dump Pedal Assembly

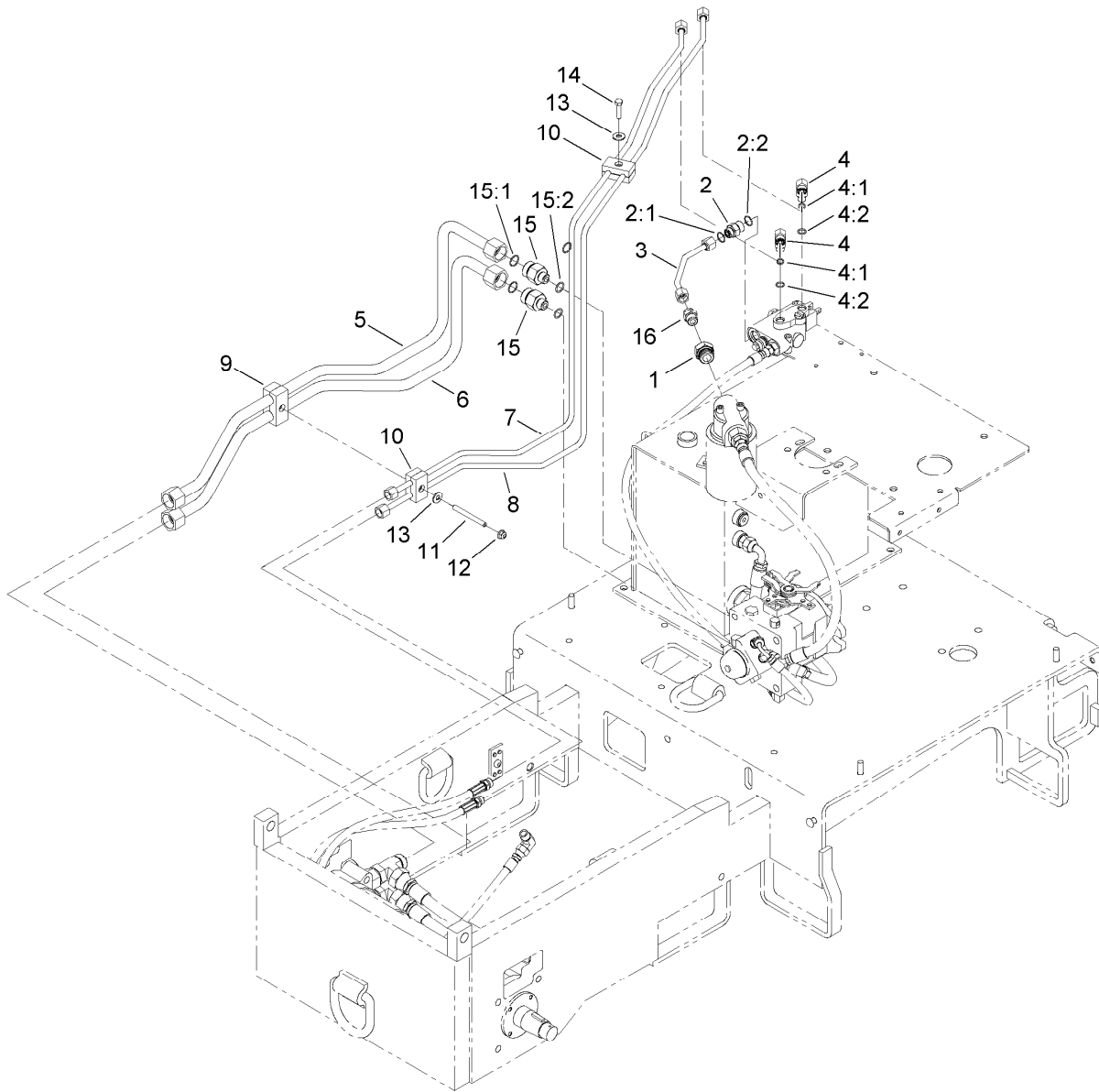
Ref.	Part Number	Qty.	Description	Ref.	Part Number	Qty.	Description
1	127-7506	1	Tank-Hydraulic	21	52-6430	1	Washer
2	ST38521	1	Breather-Filler	22	3272-1	2	Pin-Cotter
3	ST39088	1	Strainer	23	32105-18	1	Screw-HHF
4	3234-24	4	Screw-HHF	24	321-33	1	Screw-HH
5	ST38534	1	Glass Sight ASM	25	ST34687	1	Grip-Handle
6	ST46774	1	Plug	26	3234-29	1	Screw-HHF
7	125-8717-03	1	Bracket-Filter, Oil	27	104-7201	1	Nut-HF
8	3234-47	4	Screw-HHF	28	ST81076	1	Pin
9	ST45150	1	Filter-Return	29	ST45973-03	1	Mount-Pedal
10	117-8304	2	Screw-HHF	30	ST80639	1	Washer-Belleville
11	127-2832	1	Heat Sheild ASM	31	ST80957	1	Screw-HSBH
11:2	125-4963	1	Decal-Surface, Hot	32	104-8301	1	Nut-HF, NI
12	32128-26	3	Nut-Flange	33	33115-040	1	Screw-HH
13	137-0578-03	1	Pivot	34	33015-00	1	Nut-Hex
14	ST32466	2	Bearing	35	322-5	3	Screw-HH
15	136-4582-03	1	Guide-Shaft	36	ST45963-03	1	Pedal-Dump
16	136-4578-03	1	Lever-Control, Valve	37	1-633131	2	Yoke-Linkage, Brake
17	ST57532	1	Directional HYD Valve ASM	38	3220-3	2	Nut-HJ
18	137-0568	1	Plate-Lever, Foot Control	39	ST36744	1	Rod-Linkage
19	92-2739	1	Pin-Clevis	40	ST45959	1	Tread-Skid
20	ST36978	1	Pin-Clevis	41	ST35445	1	Element-HYD Oil, 10 Micron



Hydraulic Tank and Dump Pedal Assembly (continued)

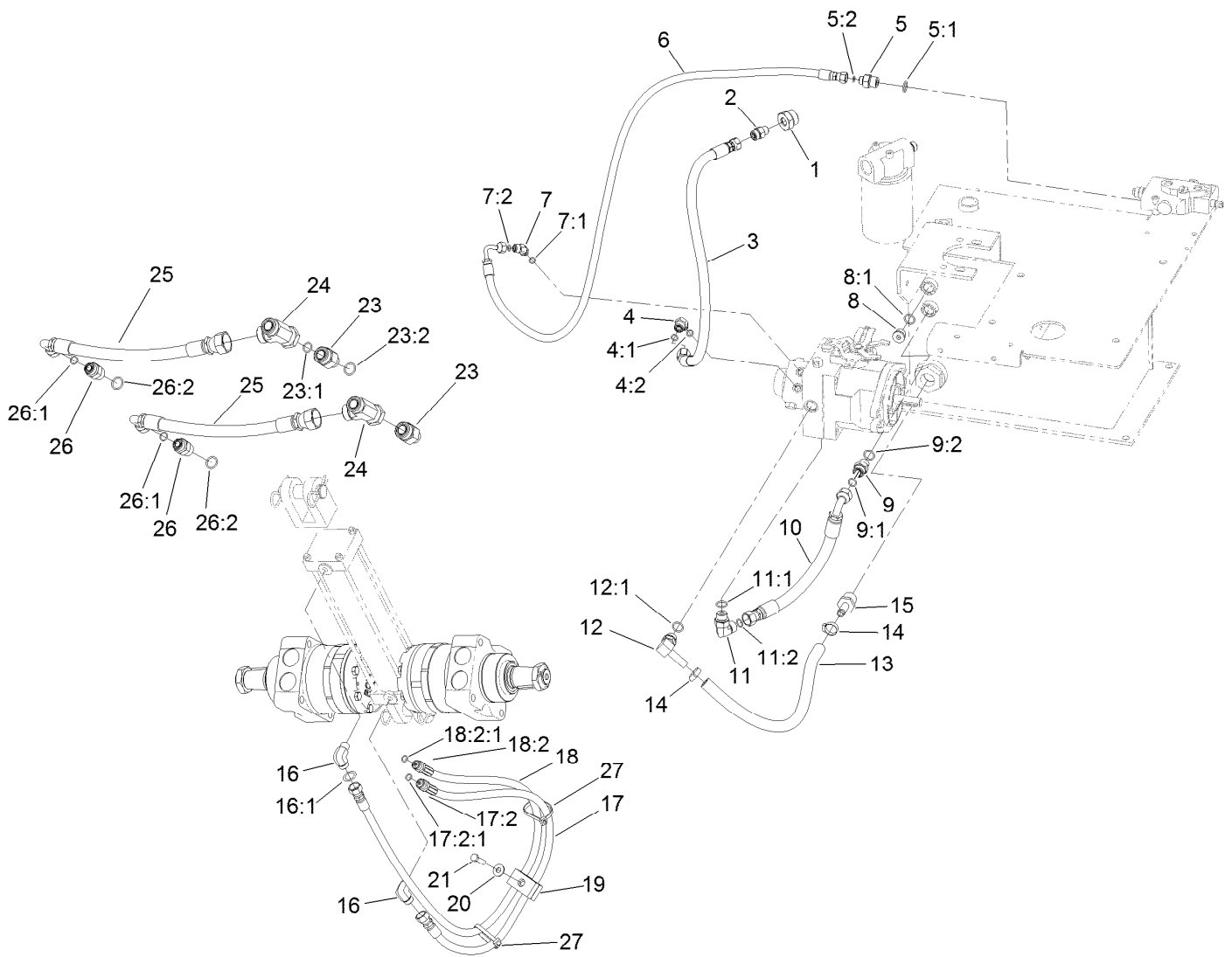
<i>Ref.</i>	<i>Part Number</i>	<i>Qty.</i>	<i>Description</i>
43	125-4962	1	Decal-P Brake

<i>Ref.</i>	<i>Part Number</i>	<i>Qty.</i>	<i>Description</i>
44	127-5591	1	Trim-Filter Bracket
48	3272-11	1	Pin-Cotter



Hydraulic Hard Line Routing Assembly

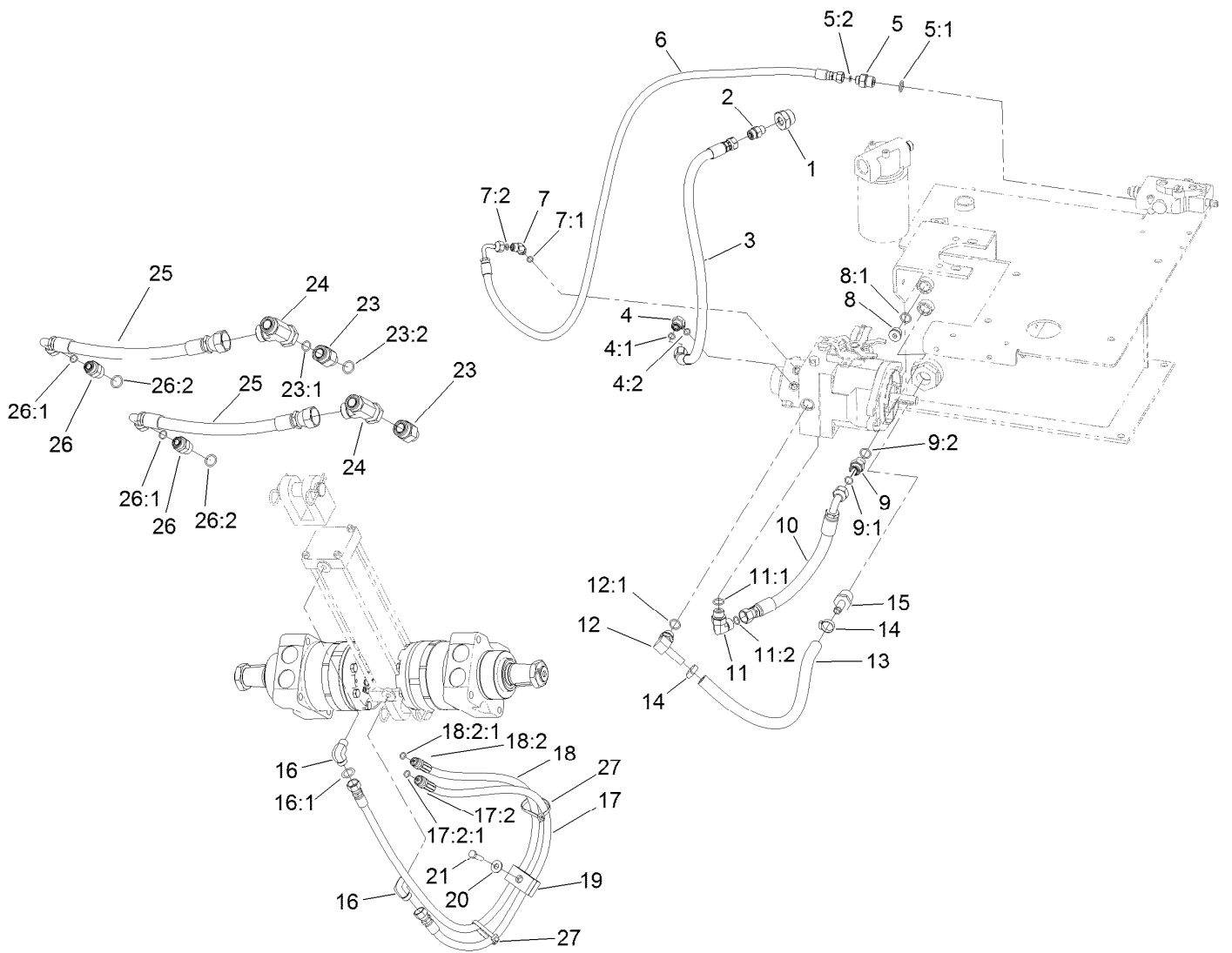
<i>Ref.</i>	<i>Part Number</i>	<i>Qty.</i>	<i>Description</i>	<i>Ref.</i>	<i>Part Number</i>	<i>Qty.</i>	<i>Description</i>
1	ST50971	1	Fitting-HYD	8	125-8568	1	HYD Tube ASM
2	340-3	1	Fitting-Straight	9	ST50985	1	Clamp-Twin
2:1	237-22	1	O-Ring	10	ST37530	2	Clamp-Twin
2:2	237-79	1	O-Ring	11	ST50990	1	Rod-Clamp, Hose
3	125-8566	1	HYD Tube ASM	12	104-8300	1	Nut-HF, NI
4	340-77	2	Fitting-Elbow, 90 DEG	13	3256-3	2	Washer-Flat
4:1	237-22	1	O-Ring	14	322-6	1	Screw-HH
4:2	237-42	1	O-Ring	15	98-9921	2	Fitting-Straight
5	125-8564	1	HYD Tube ASM	15:1	237-145	1	O-Ring
6	125-8565	1	HYD Tube ASM	15:2	237-79	1	O-Ring
7	125-8567	1	HYD Tube ASM	16	ST46679	1	Fitting-HYD



Hydraulic Hose and Fitting Assembly

Ref.	Part Number	Qty.	Description	Ref.	Part Number	Qty.	Description
1	ST50971	1	Fitting-HYD	10	125-8560	1	HYD Hose ASM
2	ST46679	1	Fitting-HYD	11	340-98	1	Fitting-Elbow, 90 DEG
3	125-8561	1	HYD Hose ASM	11:1	237-79	1	O-Ring
4	340-54	1	Elbow-45 DEG	11:2	237-30	1	O-Ring
4:1	237-22	1	O-Ring	12	354-120	1	Fitting-Elbow, 90
4:2	237-78	1	O-Ring	12:1	237-79	1	O-Ring
5	340-133	1	Fitting-STR	13	98-8153	1	Hose-Return
5:1	237-79	1	O-Ring	14	2412-141	2	Clamp-Drive, Worm
5:2	237-21	1	O-Ring	15	ST37528	1	Fitting-HYD
6	125-8562	1	HYD Hose ASM	16	340-112	2	Fitting-Elbow, 90
7	340-103	1	Fitting-HYD, 45 DEG	16:1	237-22	1	O-Ring
7:1	237-78	1	O-Ring	17	125-8569	1	HYD Hose ASM
7:2	237-21	1	O-Ring	17:2	125-8570	1	Fitting-Straight,Rgd ●
8	353-988	1	Plug-Hex	17:2:1	237-22	11	O-Ring
8:1	237-79	1	O-Ring	18	125-8570	1	HYD Hose ASM
9	340-4	1	Fitting-Straight	18:2	125-8570	1	Fitting-Straight,Rgd ●
9:1	237-30	1	O-Ring	18:2:1	237-22	11	O-Ring
9:2	237-79	1	O-Ring	19	ST37529	1	Clamp-Twin

● Not serviced separately



Hydraulic Hose and Fitting Assembly (continued)

Ref.	Part Number	Qty.	Description	Ref.	Part Number	Qty.	Description
20	3256-3	1	Washer-Flat	25	125-8559	2	HYD Hose ASM
21	322-6	1	Screw-HH	26	340-6	2	Fitting-Straight
23	340-66	2	Fitting-Straight	26:1	237-30	1	O-Ring
23:1	237-80	1	O-Ring	26:2	237-80	1	O-Ring
23:2	237-58	1	O-Ring	27	3290-378	3	Tie-Cable
24	ST50975	2	Fitting-HYD				

● Not serviced separately

Notes:

Notes:

Notes:



Count on it.