



Lawn Vacuum

Model No. 62925—210000001 and Up

Parts Catalog

Ordering Replacement Parts

To order replacement parts, please supply: the part number, the quantity, and the description of each part desired.

Understanding Reference Numbers

Each identified part in an illustration has a reference number. The reference number for a part also appears in the parts list, along with other information about the part.

This catalog uses two special reference number formats, one to indicate parts in a service assembly and another to indicate the quantity of a given part in an illustration.

Service Assembly Reference Numbers

Parts in service assemblies have reference numbers in the form **a:b**. The **a** represents the reference number of the entire service assembly and the **b** represents a sequential number unique to each part within the service assembly.

For example, a wheel assembly might be identified by reference number **6**, the tire by **6:1**, the valve by **6:2**, and the wheel by **6:3**. When you order the assembly identified by reference number **6**, you receive all parts identified by reference numbers **6:1**, **6:2**, and **6:3**. However, you may also order any part individually.

Reference numbers of this type appear in illustrations and in part lists.

Reference Numbers Indicating Quantity

In an illustration, if a reference number indicates more than one part, the reference number has the form **nX y**. The **n** represents the quantity of the part, the **X** is the multiplication symbol, and the **y** represents the reference number.

For example, in an illustration, the reference number **2X 37** means that two of the parts identified by reference number **37** are indicated.

Contents

Description	Page	Description	Page
Snout and Blower Assembly	3	Air Cleaner Assembly	14
Intake and Exhaust Blower Assembly	4	Briggs and Stratton Model 110402-0218-E1 ..	14
Engine and Front Wheel Support Assembly ...	5	Muffler and Fuel Tank Assembly	15
Wheel and Traction Assembly	6	Briggs and Stratton Model 110402-0218-E1 ..	15
Traction Assembly No. 93-8460	7	Governor Assembly	16
Handle and Bag Assembly	8	Briggs and Stratton Model 110402-0218-E1 ..	16
Cylinder Assembly	9	Blower Housing Assembly	17
Briggs and Stratton Model 110402-0218-E1 ..	9	Briggs and Stratton Model 110402-0218-E1 ..	17
Crankshaft Assembly	10	Starter Assembly	18
Briggs and Stratton Model 110402-0218-E1 ..	10	Briggs and Stratton Model 110402-0218-E1 ..	18
Cylinder Head Assembly	11	Oil Filter, Tube and Pump Assembly	19
Briggs and Stratton Model 110402-0218-E1 ..	11	Briggs and Stratton Model 110402-0218-E1 ..	19
Crankcase Assembly	12	Gasket Assembly	20
Briggs and Stratton Model 110402-0218-E1 ..	12	Briggs and Stratton Model 110402-0218-E1 ..	20
Carburetor Assembly	13	Carburetor Overhaul Kit Assembly	21
Briggs and Stratton Model 110402-0218-E1 ..	13	Briggs and Stratton Model 110402-0218-E1 ..	21

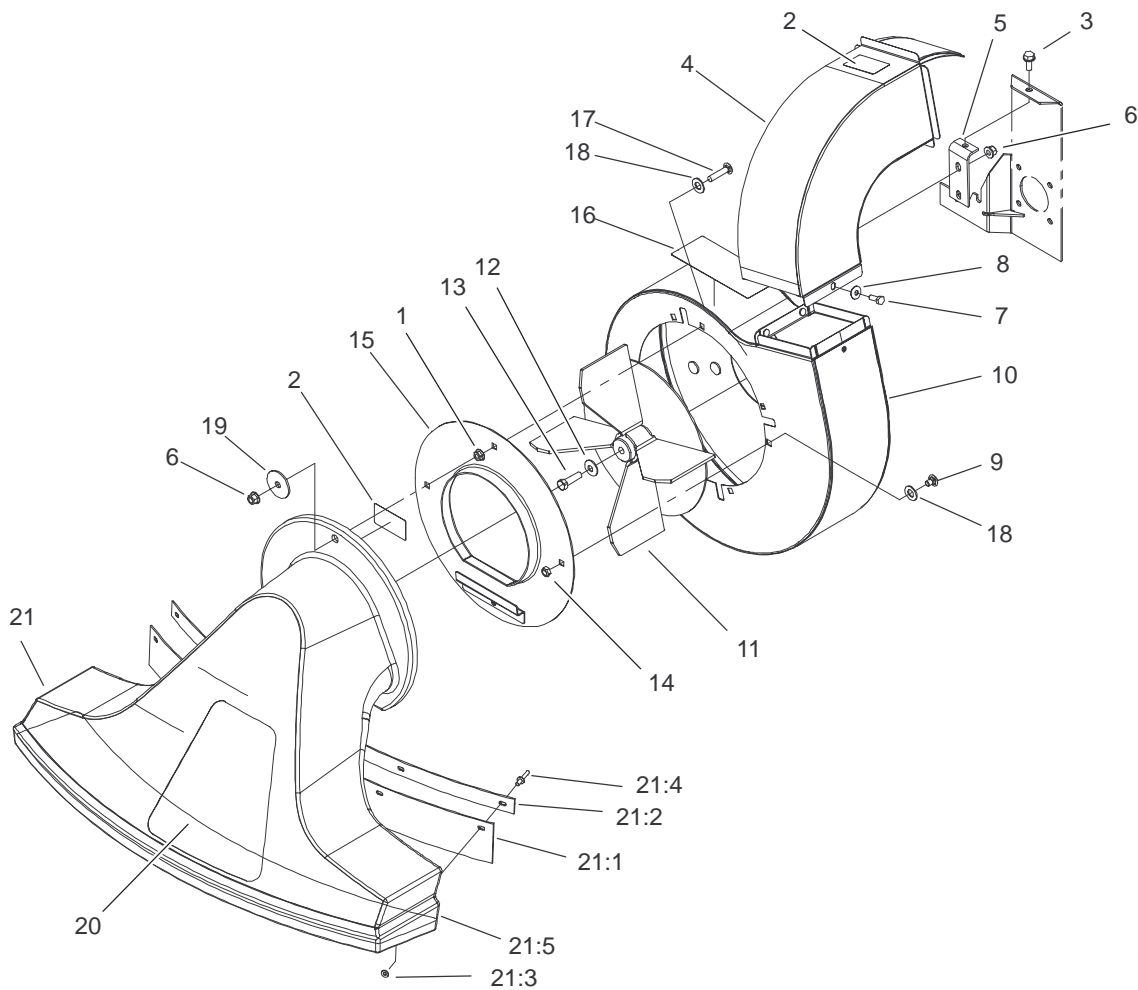
Accessories

Description	Model / Part No.
Vacuum Hose Kit	59085

Part Description Abbreviations

Part descriptions in this catalog may include the following abbreviations.

Abbreviation	Meaning	Abbreviation	Meaning
AR	as required	HYD	hydraulic
ASM	assembly	INC	incorporated
CARR	carriage	LH	left hand
DEG	degrees	NI	nylon insert
FH	flat head	PPH	Phillips pan head
GA	gauge	PTH	Phillips truss head
HF	hex flange	PTO	power take off
HH	hex head	RH	right hand
HHF	hex head flange	SFH	slotted fillister head
HLH	hex lag head	SHH	slotted hex head
HJ	hex jam	SQH	square head
HOC	height-of-cut	SHWH	slotted hex washer head
HS	hex socket	SPH	slotted pan head
HSBH	hex socket button head	SRH	slotted round head
HSFH	hex socket flat head	STD	standard
HSH	hex socket head	TAP	self tapping
HWH	hex washer head	TTH	Torx truss head
HWHTF	hex washer head thread forming	WH	wing head

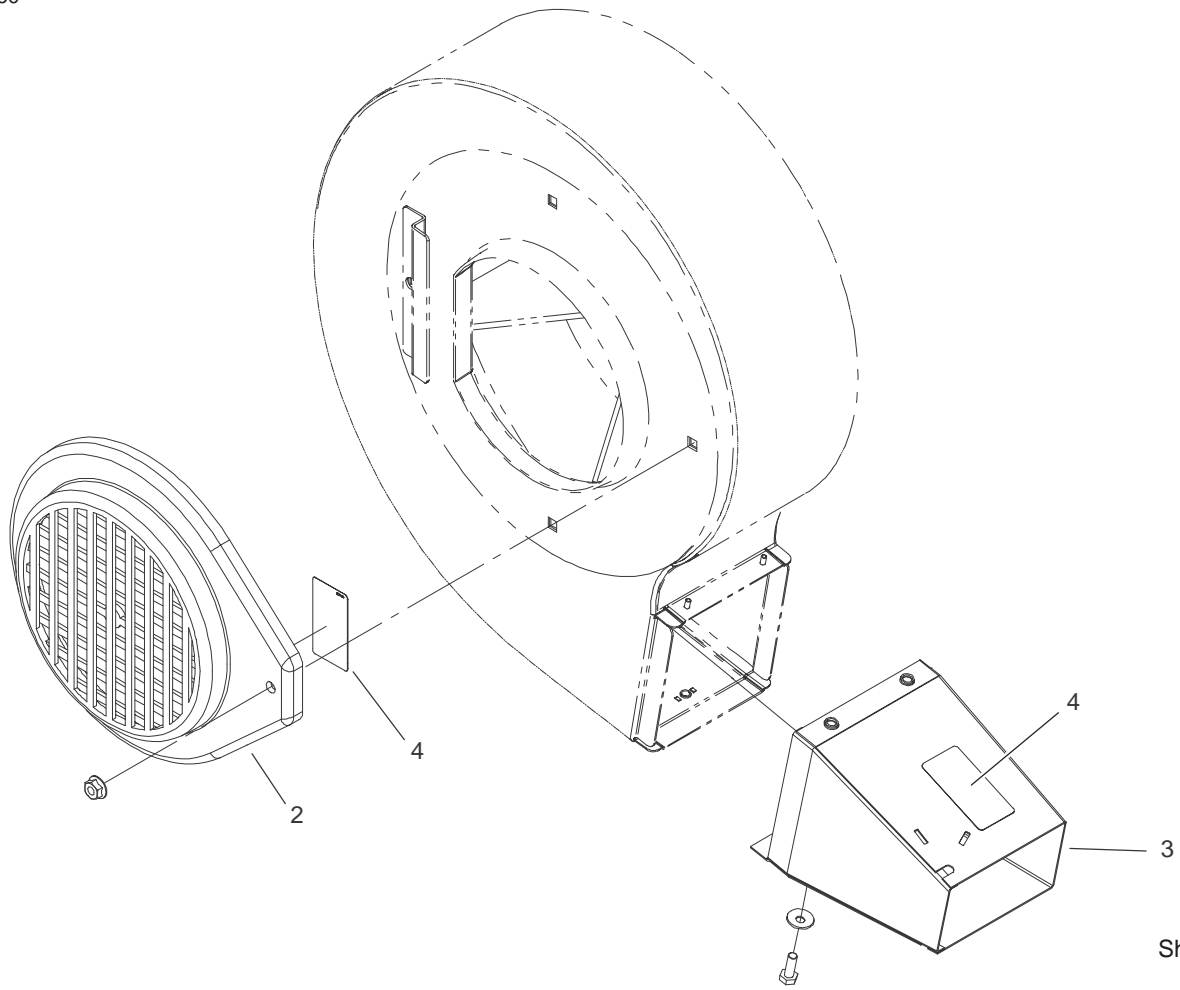


Sheet No.:2

Snout and Blower Assembly

Ref. No.	Part No.	Qty.	Description
1	32128-26	1	Nut-Flange
2	93-4139	2	Decal-Bag Caution
3	32144-70	1	Screw-HH
4	20-6130-01	1	Vacuum Chute ASM
5	105-1233-03	1	Bracket-Mounting, Housing
6	3296-58	5	Nut-Lock NI
7	321-4	1	Screw-HH
8	3290-436	1	Washer-Belleville
9	3230-19	3	Screw-CARR
10	20-5890-01	1	Housing-Blower
11	93-3677-03	1	Fan
12	3290-340	1	Washer-Belleville
13	3211-5	1	Screw-HH
14	3296-47	3	Nut-Lock, NI
15	20-5450-01	1	Cover-Blower
16	105-4062	1	Decal-Warning, Rotate
17	57-3220	1	Bolt-CARR
18	3256-25	3	Washer-Flat
19	95-1823	1	Washer
20	67-7720	1	Decal-Vacuum Sp
21	40-7000	1	Snout ASM
21:1	20-6830	1	Rubber Flap
21:2	20-6840-03	1	Clamp-Flap
21:3	3256-51	5	Washer-Flat

Ref. No.	Part No.	Qty.	Description
21:4	3269-22	5	Rivet-Pop
21:5	40-7010	1	Snout

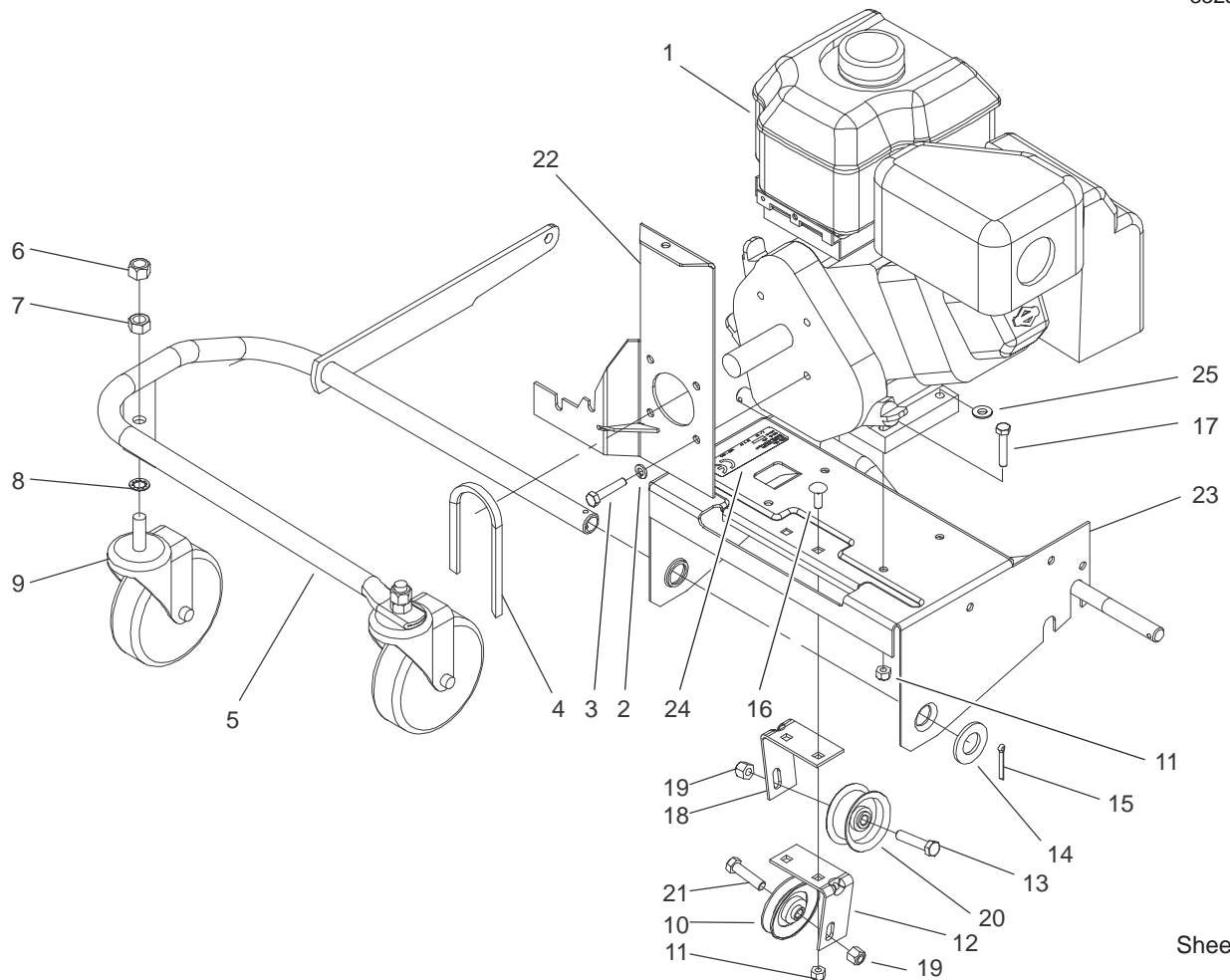


Sheet No.:3

Intake and Exhaust Blower Assembly

Ref. No.	Part No.	Qty.	Description
2	20-5780	1	Intake-Blower
3	93-4124-01	1	Exhaust-Blower
4	93-4139	2	Decal-Bag Caution

Ref. No.	Part No.	Qty.	Description



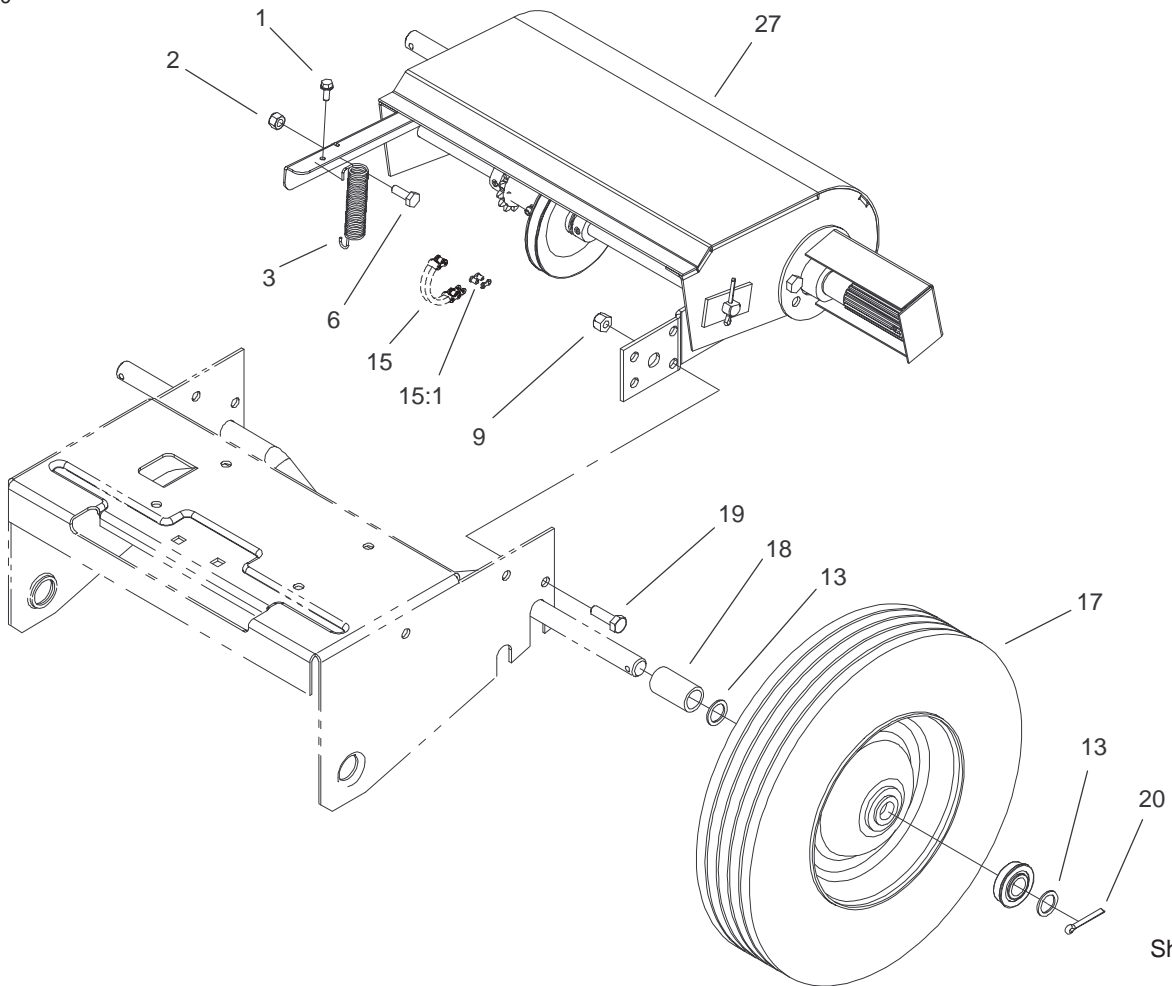
Sheet No.:4

Engine and Front Wheel Support Assembly

Ref. No.	Part No.	Qty.	Description
☆1		1	Engine-B & S, 110402-0218-E1
2	3253-4	4	Washer-Lock
3	3210-2	4	Screw-HH
4	20-5990	1	V Belt
5	93-4146-03	1	Support-Wheel, Front
6	3296-23	2	Nut-Lock, NI
7	3217-9	2	Nut-HH
8	3254-4	2	Washer-Lock/Int
9	23-3320	2	Caster
10	12-5820	1	Pulley-Idler
11	3296-29	6	Nut-Lock NI
12	20-8690-03	1	Bracket-Idler Mount, LH
13	323-9	1	Screw-HH
14	3256-29	1	Washer-Flat
15	3272-17	1	Pin-Cotter
16	3230-1	2	Screw-CARR
17	322-8	4	Screw-HH
18	20-8680-03	1	Bracket-Idler Mount, RH
19	3296-39	2	Nut-Lock, NI
20	12-6700	1	Pulley-Idler
21	323-8	1	Screw-HH
22	105-1232-03	1	Bracket-Stabalizer

Ref. No.	Part No.	Qty.	Description
23	20-5560-03	1	Plate-Engine
25	3256-23	1	Washer-Flat

☆ Not serviced



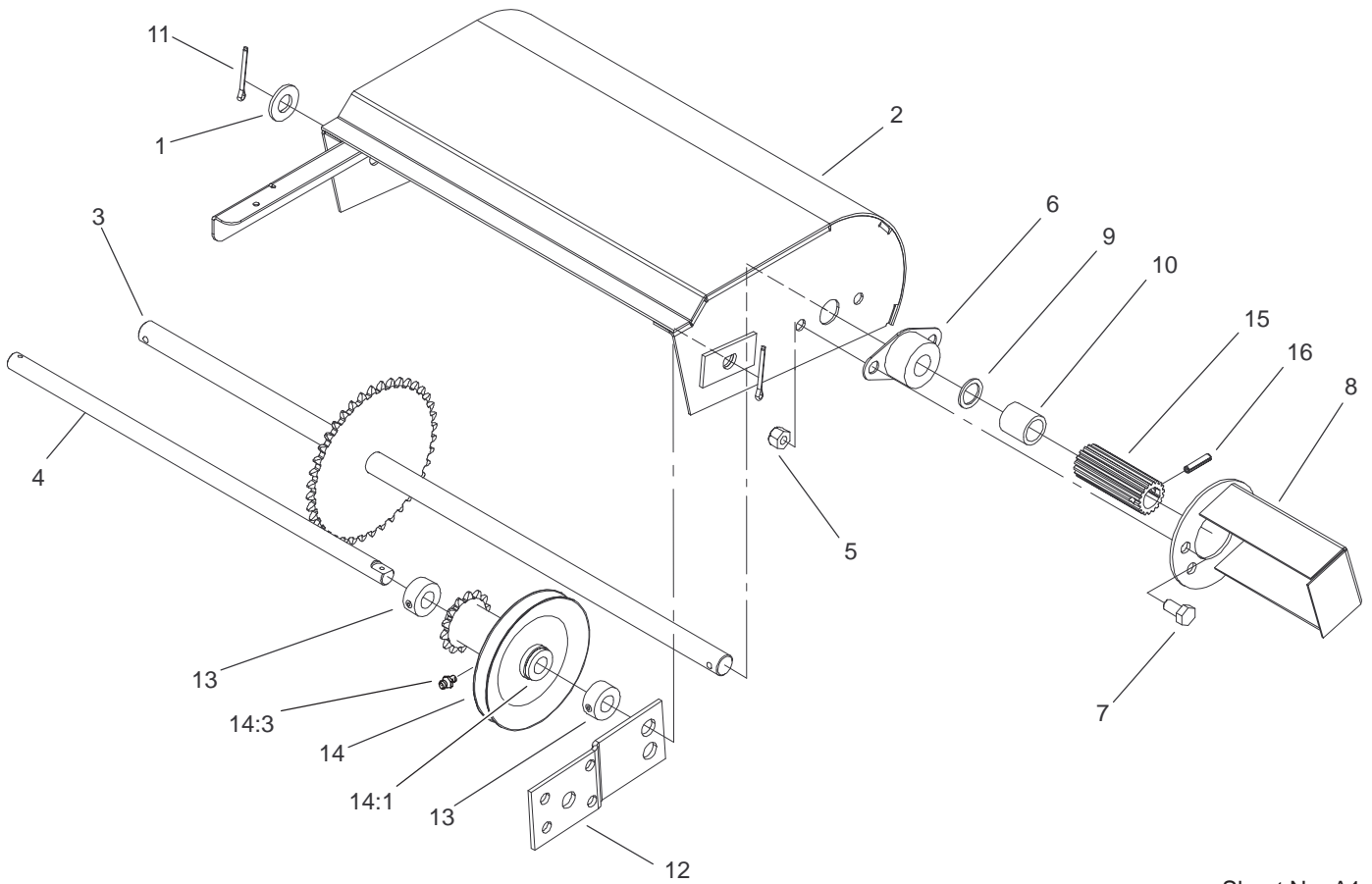
Sheet No.:5

Wheel and Traction Assembly

Ref. No.	Part No.	Qty.	Description
1	32140-32	1	Screw-HH
2	3296-42	1	Nut-Lock, NI
3	23-3520	1	Spring-Traction
6	321-4	1	Screw-HH
9	3296-29	6	Nut-Lock NI
13	7-3590	5	Washer
15	3-3434	1	Chain-Roller, Reel Drive
15:1	2710-31	1	Link-Connecting #35
17	20-6100	2	Wheel
18	20-5410	2	Spacer-Axle
19	322-5	6	Screw-HH
20	3272-17	2	Pin-Cotter
☆27		1	Traction ASM

Ref. No.	Part No.	Qty.	Description

☆ Not serviced

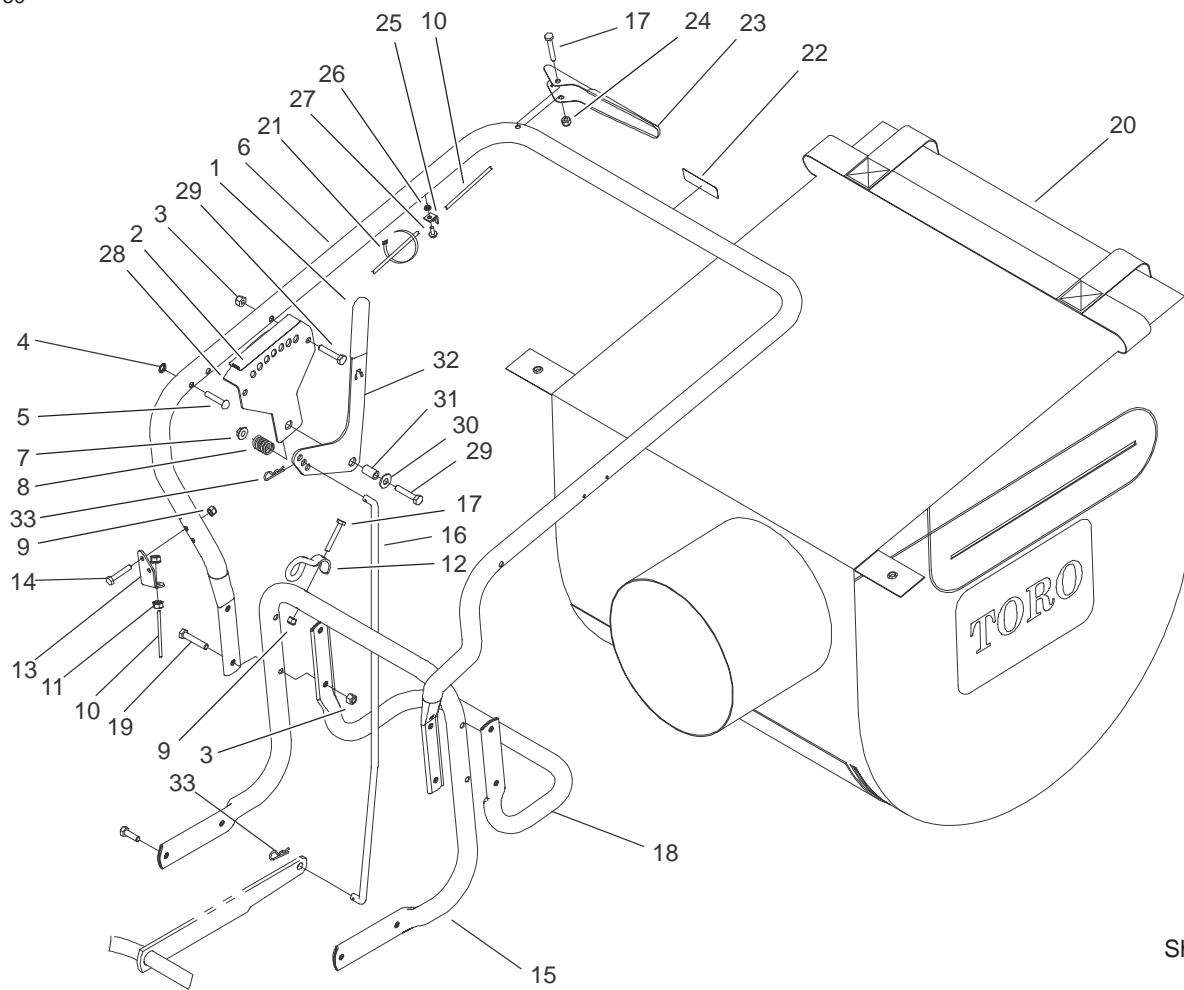


Sheet No.:A1

Traction Assembly

Ref. No.	Part No.	Qty.	Description
1	3256-26	1	Washer-Flat
2	93-8461-03	1	Guard
3	20-7270	1	Shaft-Friction Wheel
4	20-5870	1	Shaft-Idler
5	3296-29	4	Nut-Lock NI
6	256-236	2	Bearing-Mount, Flange
7	322-2	4	Screw-HH
8	37-9210-03	2	Guard-Sp
9	7-3590	2	Washer
10	20-5460	2	Spacer
11	3272-7	2	Pin-Cotter
12	43-6830-03	2	Bracket-Mounting
13	20-5950	2	Screw-Set, Collar
14	20-6000	1	Idler ASM
14:1	256-105	2	Bushing-Flange
14:3	302-5	1	Fitting-Grease
15	20-5960	2	Wheel-Friction
16	32121-4	2	Pin-Roll

Ref. No.	Part No.	Qty.	Description

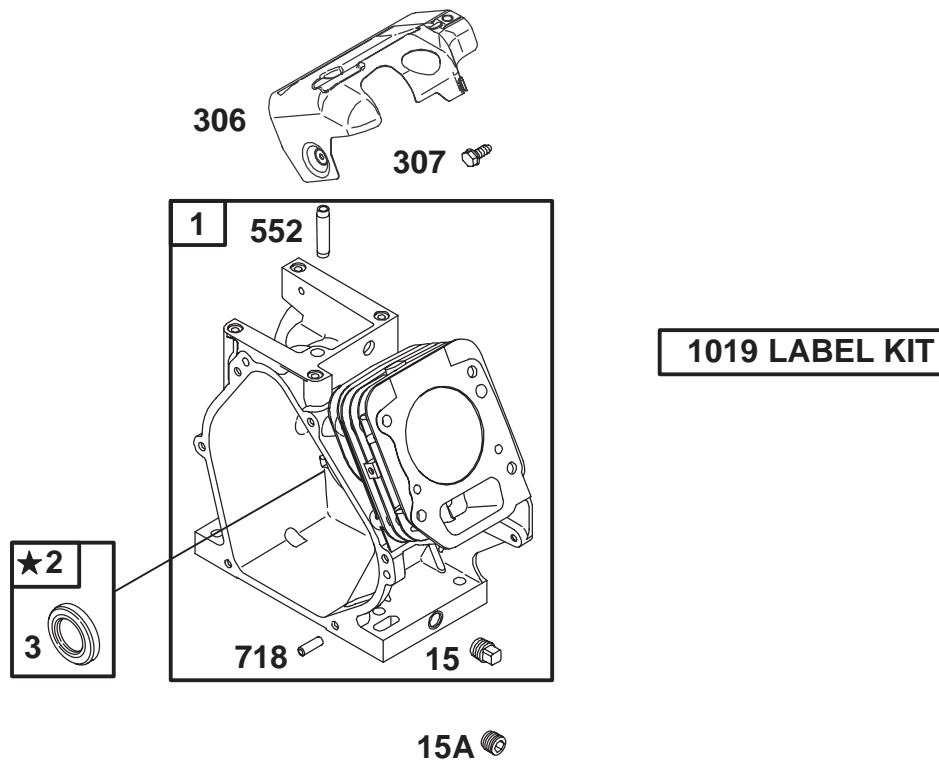


Sheet No.:6

Handle and Bag Assembly

Ref. No.	Part No.	Qty.	Description
1	3-7877	1	Grip-Handle
2	93-4137	1	Decal-Height Adjustment
3	3296-29	6	Nut-Lock NI
4	3290-418	2	Nut-Push In
5	3263-9	2	Rivet
6	23-3570	1	Handle-Upper, Vacuum
7	32128-13	1	Nut-HF
8	20-6110	1	Spring-Height Adjust
9	3296-42	3	Nut-Lock, NI
10	105-1234	1	Cable-Traction
11	32149-5	2	Nut
12	46-8082	1	Guide-Rope
13	33-2830	1	Mount-Bowden, Lower
14	321-9	2	Screw-HH
15	105-1236	1	Handle-Lower
16	105-1235	1	Rod-Height Adjust
17	321-10	2	Screw-HH
18	66-1640-03	1	Support-Bag
19	322-9	4	Screw-HH
20	105-1245	1	Bag-Vacuum
21	3290-378	2	Tie-Cable
22	93-4141	1	Decal-Traction Control
23	93-8464	1	Lever W/Grip

Ref. No.	Part No.	Qty.	Description
24	32111-7	1	Nut-Cap
25	20-8780	1	Retaining-Clip
26	3255-17	1	Washer-Lock/Ext
27	32144-112	1	Screw-HWHTF
28	20-5820-03	1	Bracket-Adjustment
29	322-8	3	Screw-HH
30	3256-3	1	Washer-Flat
31	20-5650	1	Spacer-Adjust
32	23-3410-03	1	Handle-Height Adjust
33	3290-250	2	Pin-Hair, Cotter



★ REQUIRES SPECIAL TOOLS TO INSTALL. SEE REPAIR INSTRUCTION MANUAL.

Assemblies include all parts shown in frames.

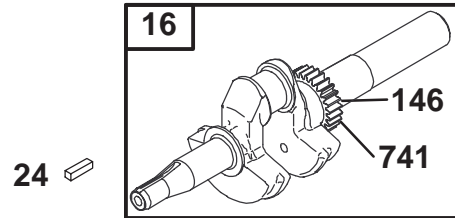
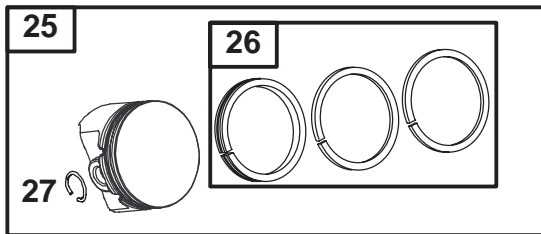
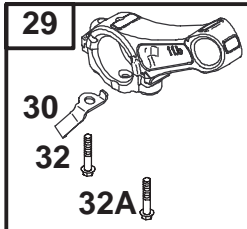
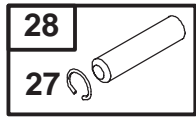
Cylinder Assembly Briggs and Stratton Model 110402-0218-E1

Ref. No.	Part No.	Qty.	Description
1	693811	1	Cylinder Assembly
2	399269	1	Bushing/Seal Kit (Magneto Side)
★3	299819	1	Oil Seal (Magneto Side)
15	691686	1	Plug-Oil Drain (Square Head)
15A	691682	1	Plug-Oil Drain (Flush)
306	693610	1	Cylinder Shield
307	690345	1	Screw (Cylinder Shield)
552	692346	1	Governor Crank Bushing
718	690959	1	Locating Pin
1019	694851	1	Label Kit

Ref. No.	Part No.	Qty.	Description

△ Included in Valve Gasket Set-Ref. 1095.

★ Included in Engine Gasket Set-Ref. 358.

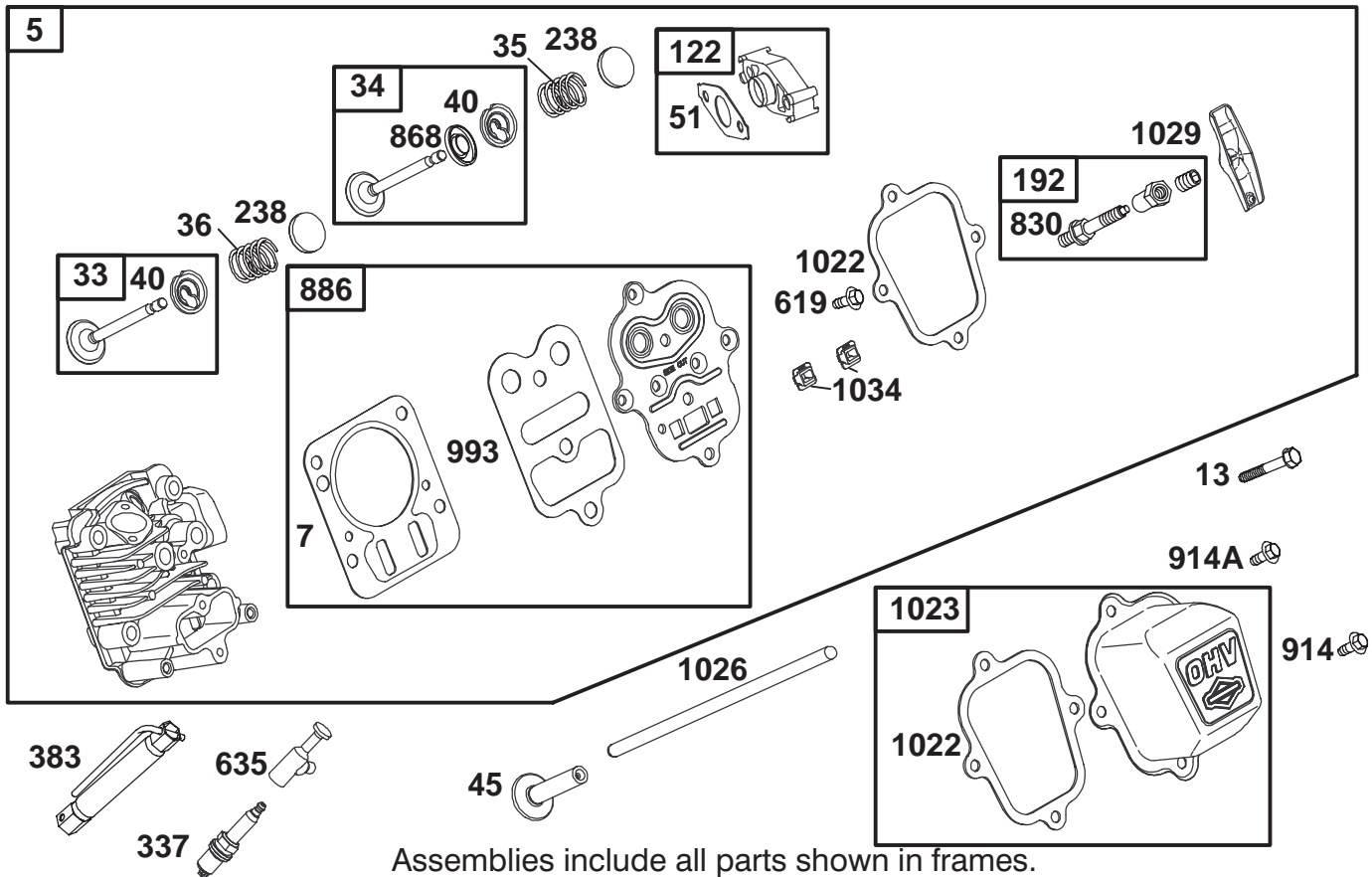


Assemblies include all parts shown in frames.

Crankshaft Assembly Briggs and Stratton Model 110402-0218-E1

Ref. No.	Part No.	Qty.	Description
16	694462	1	Crankshaft
24	222698	1	Flywheel Key
25	690021	1	Piston Assembly (Standard)
	694167	1	Piston Assembly (.010" Oversize)
	694168	1	Piston Assembly (.020" Oversize)
	694169	1	Piston Assembly (.030" Oversize)
26	499631	1	Ring Set (Standard)
	692785	1	Ring Set (.010" Oversize)
	692786	1	Ring Set (.020" Oversize)
	692787	1	Ring Set (.030" Oversize)
27	691866	1	Lock-Piston Pin
28	499423	1	Pin-Piston
29	499424	1	Rod-Connecting
30	692562	1	Dipper-Connecting Rod
32	691664	1	Screw

Ref. No.	Part No.	Qty.	Description
32A	695759	1	(Connecting Rod) Screw
146	690979	1	Timing Key
741	695087	1	Timing Gear

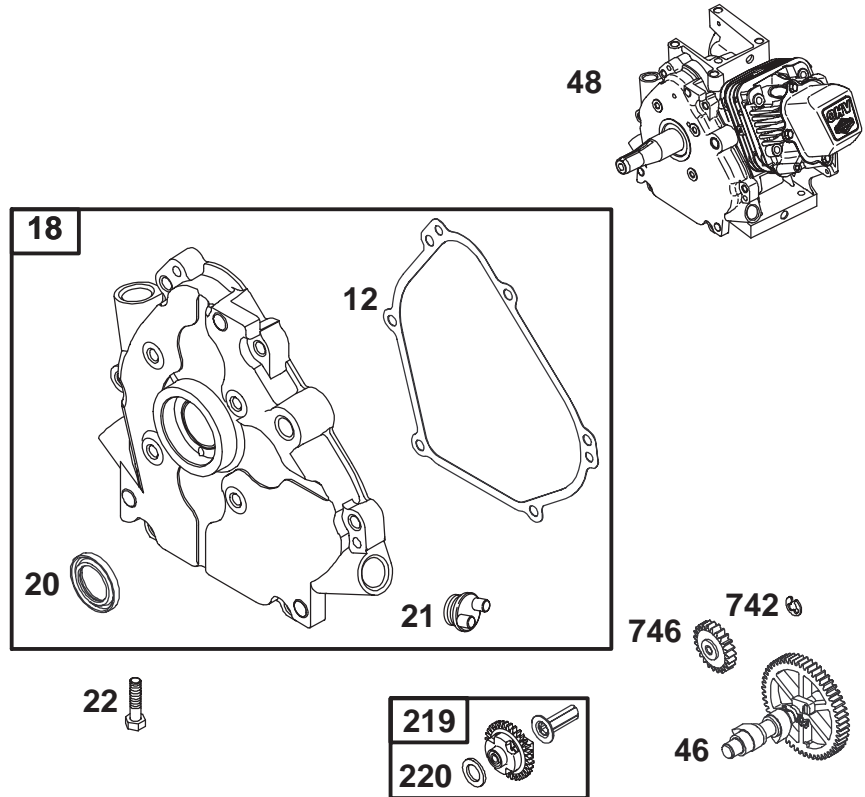


Assemblies include all parts shown in frames.

Cylinder Head Assembly Briggs and Stratton Model 110402-0218-E1

Ref. No.	Part No.	Qty.	Description
5	693643	1	Cylinder Head
★△7	695166	1	Cylinder Head Gasket
13	691137	1	Screw (Cylinder Head)
33	499642	1	Exhaust Valve
34	499641	1	Intake Valve
35	691304	1	Valve Spring (Intake)
36	691304	1	Valve Spring (Exhaust)
40	692194	1	Valve Retainer
45	690977	1	Valve Tappet
★△◆51	692555	1	Gasket-Intake
★●122	693749	1	Spacer-Carburetor
192	694543	1	Adjuster-Rocker Arm
238	691300	1	Valve Cap
337	691043	1	Screw (Cylinder Head Plate)
383	19374	1	Sparkplug Wrench
619	691108	1	Screw (Cylinder Head Plate)
635	692076	1	Sparkplug Boot
830	694544	1	Stud-Rocker Arm
★△868	692044	1	Valve Seal
886	696268	1	Cylinder Head/Plate

Ref. No.	Part No.	Qty.	Description
914	692198	1	Gasket Kit Screw (Rocker Cover)
914A	692557	1	Screw (Rocker Cover)
★△993	694088	1	Cylinder Head Plate Gasket
★△1022	691890	1	Rocker Cover Gasket
1023	499924	1	Rocker Cover
1026	693517	1	Push Rod
1029	691230	1	Rocker Arm
1034	691343	1	Push Rod Guide



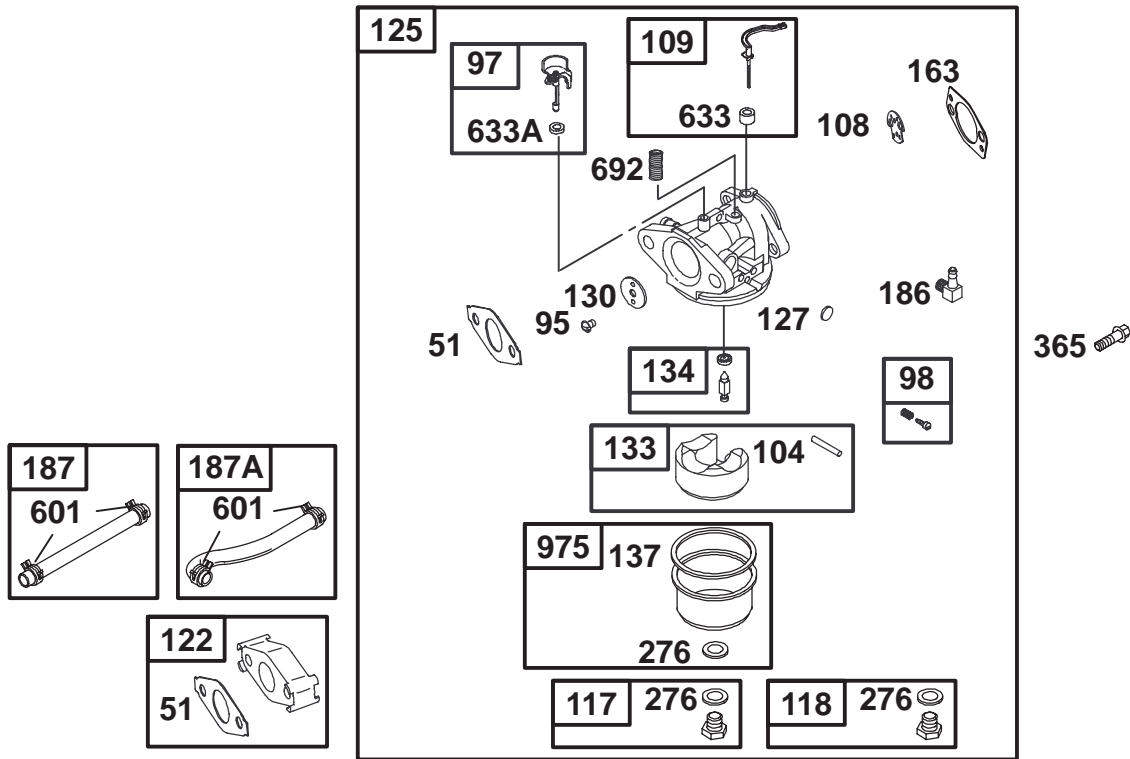
Assemblies include all parts shown in frames.

Crankcase Assembly Briggs and Stratton Model 110402-0218-E1

Ref. No.	Part No.	Qty.	Description
★12	692549	1	Crankcase Cover Gasket
18	694466	1	Crankcase Cover
★20	692550	1	Oil Seal (PTO Side)
21	281658	1	Oil Fill Cap
22	692551	1	Screw (Crankcase Cover/ Sump)
46	693404	1	Camshaft
48			Short Block (Not Available at this time)
219	693578	1	Governor Gear
220	691724	1	Washer (Governor Gear)
742	692564	1	E Ring Retainer
746	692566	1	Idler Gear

Ref. No.	Part No.	Qty.	Description

★ Included in Engine Gasket Set-Ref. 358.



Assemblies include all parts shown in frames.

Carburetor Assembly Briggs and Stratton Model 110402-0218-E1

Ref. No.	Part No.	Qty.	Description
Δ★◆51	692555	1	Intake Gasket
95	691636	1	Screw (Throttle Valve)
97	690024	1	Throttle Shaft
98	398185	1	Idle Speed Kit
●104	691242	1	Float Hinge Pin
108	692567	1	Choke Valve
109	693628	1	Choke Shaft
117	493763	1	Main Jet (Standard)
118	493637	1	Main Jet (High Altitude)
★●122	693749	1	Carburetor Spacer
125	694112	1	Carburetor
●127	691739	1	Welch Plug
130	691181	1	Throttle Valve
133	398187	1	Carburetor Float
●134	398188	1	Needle/Seat Kit
●◆137	693981	1	Float Bowl Gasket
★◆◆163	693458	1	Air Cleaner Gasket
186	692317	1	Hose Connector
187	691050	1	Fuel Line (Cut to Required Length)

Ref. No.	Part No.	Qty.	Description
●◆276	271716	1	(Molded) Sealing Washer
365	692568	1	Screw (Carburetor)
601	95162	1	Hose Clamp
●◆633	693867	1	Choke/Throttle Shaft Seal
●◆633A	691321	1	Choke/Throttle Shaft Seal
692	690572	1	Detent Spring
975	493640	1	Float Bowl

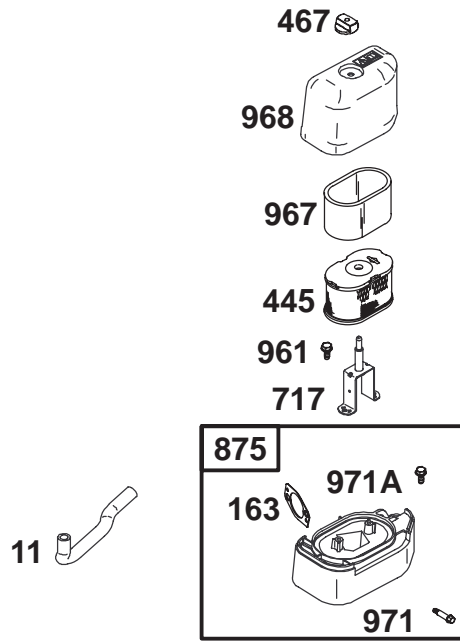
187A 692601 1 Line-Fuel

Δ Included in Valve Gasket Set-Ref. 1095.

★ Included in Engine Gasket Set-Ref. 358.

● Included in Carburetor Overhaul Kit-Ref. 121.

◆ Included in Carburetor Gasket Set-Ref. 977.

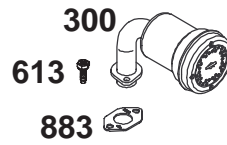
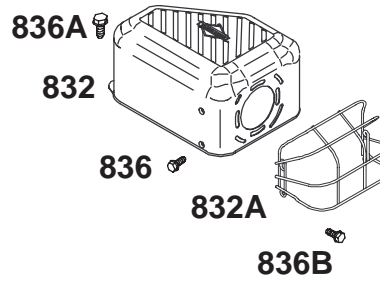
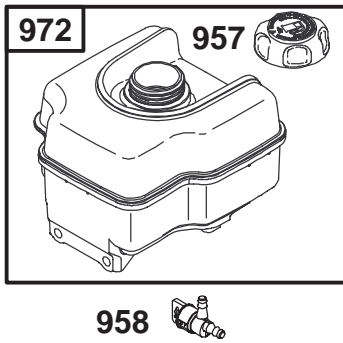


Assemblies include all parts shown in frames.

Air Cleaner Assembly Briggs and Stratton Model 110402-0218-E1

Ref. No.	Part No.	Qty.	Description	Ref. No.	Part No.	Qty.	Description
11	693647	1	Breather Tube				
★◆163	693458	1	Air Cleaner Gasket				
445	690610	1	Air Cleaner Cartridge Filter				
467	691668	1	Air Cleaner Knob				
717	693462	1	Air Cleaner Bracket				
875	693459	1	Air Cleaner Base				
961	693598	1	Screw (Air Cleaner Bracket)				
967	273356	1	Pre Cleaner Filter				
968	693460	1	Air Cleaner Cover				
971	690349	1	Screw (Air Cleaner Base)				
971A	691693	1	Screw (Air Cleaner Base)				

★ Included in Engine Gasket Set-Ref. 358.



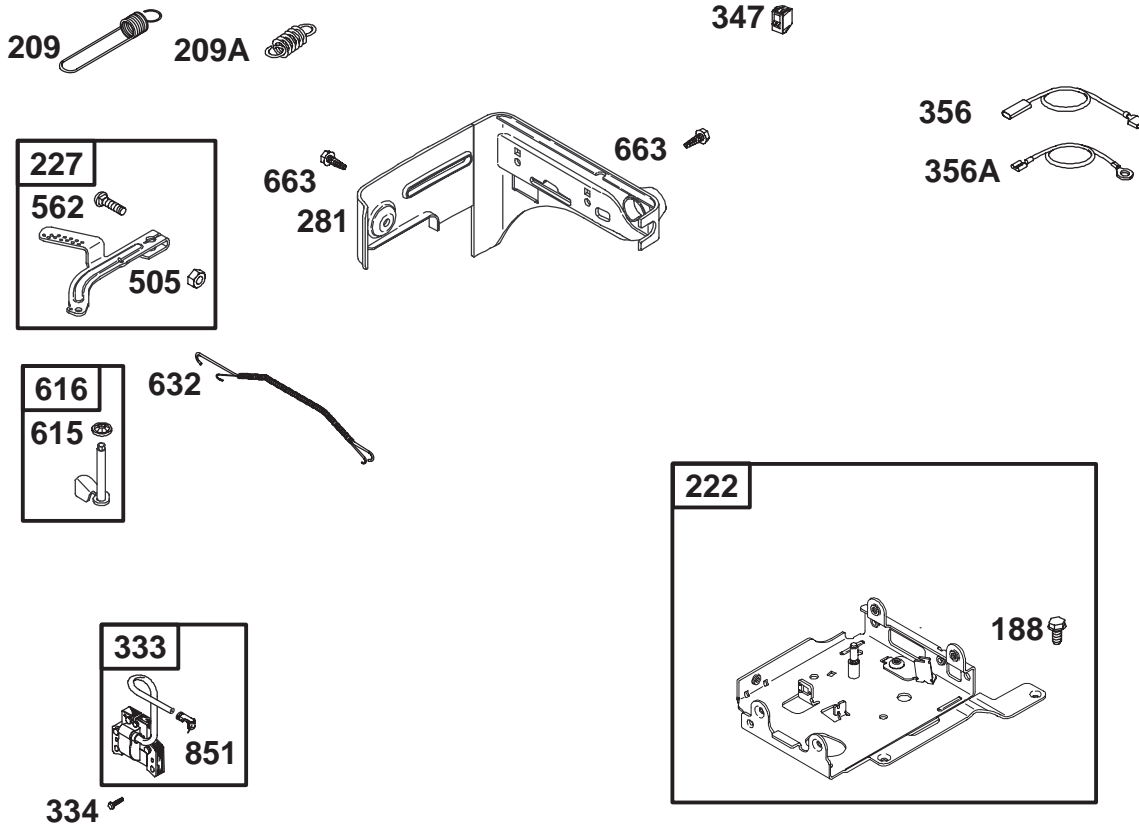
Assemblies include all parts shown in frames.

Muffler and Fuel Tank Assembly Briggs and Stratton Model 110402-0218-E1

Ref. No.	Part No.	Qty.	Description
300	693593	1	Muffler
613	691665	1	Screw (Muffler)
832	693583	1	Muffler Guard
832A	696516	1	Muffler Guard
836	690661	1	Screw (Muffler Guard)
836A	693624	1	Screw (Muffler Guard)
836B	696519	1	Screw (Muffler Guard)
★883	691893	1	Exhaust Gasket
957	694261	1	Fuel Tank Cap
958	692586	1	Fuel Shut Off Valve
972	694260	1	Fuel Tank

Ref. No.	Part No.	Qty.	Description

★ Included in Engine Gasket Set-Ref. 358.

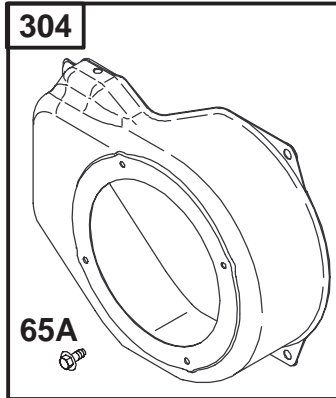
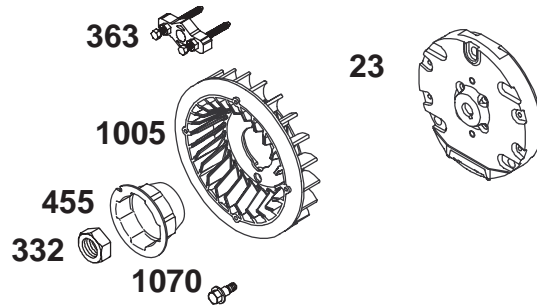


Assemblies include all parts shown in frames.

Governor Assembly Briggs and Stratton Model 110402-0218-E1

Ref. No.	Part No.	Qty.	Description
188	690877	1	Screw (Control Bracket)
209	692571	1	Governor Spring
209A	691278	1	Governor Spring
222	696288	1	Control Bracket
227	692573	1	Governor Control Lever
281	694252	1	Control Panel
333	692605	1	Magneto Armature
334	691061	1	Screw (Magneto Armature)
347	692599	1	Rocker Switch
356	692602	1	Stop Wire
356A	695630	1	Stop Wire
505	231082	1	Nut (Governor Control Lever)
562	94852	1	Bolt (Governor Control Lever)
615	692576	1	Governor Shaft Retainer
616	692547	1	Governor Crank
632	693408	1	Mechanical Governor

Ref. No.	Part No.	Qty.	Description
663	694593	1	Spring/Link Screw (Control Panel)
851	493880	1	Sparkplug Terminal

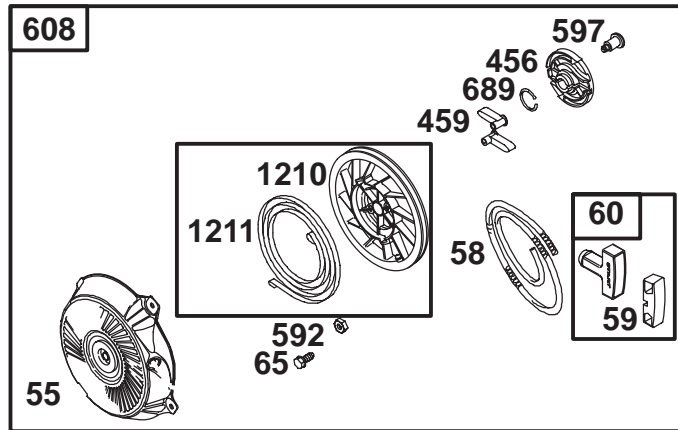


Assemblies include all parts shown in frames.

Blower Housing Assembly Briggs and Stratton Model 110402-0218-E1

Ref. No.	Part No.	Qty.	Description
23	692987	1	Flywheel
65A	692608	1	Screw (Rewind Housing)
304	693621	1	Blower Housing
305	690960	1	Screw (Blower Housing)
332	690662	1	Nut (Flywheel Fan)
363	19069	1	Flywheel Puller
455	692591	1	Flywheel Cup
1005	692592	1	Flywheel Fan
1036	695041	1	Emission Label
1070	692590	1	Screw (Flywheel Fan)

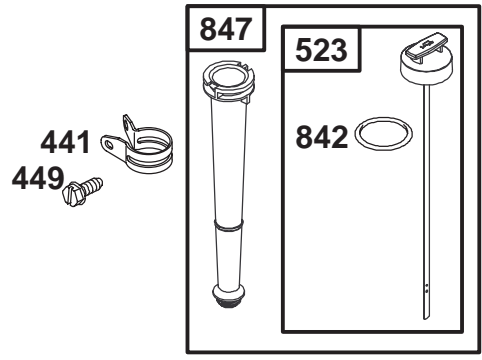
Ref. No.	Part No.	Qty.	Description



Starter Assembly Briggs and Stratton Model 110402-0218-E1

Ref. No.	Part No.	Qty.	Description
55	691422	1	Rewind Starter Housing
58	693389	1	Starter Rope (Cut to Required Length)
59	805957	1	Grip Insert
60	715257	1	Starter Rope Grip
65	690837	1	Screw (Rewind Starter)
456	692299	1	Pawl Friction Plate
459	281505	1	Ratchet Pawl
592	690800	1	Nut (Rewind Starter)
597	691696	1	Screw (Pawl Friction Plate)
608	693394	1	Rewind Starter
689	691855	1	Friction Spring
1210	498144	1	Pulley/Spring Assembly
1211	498144	1	Pulley/Spring Assembly

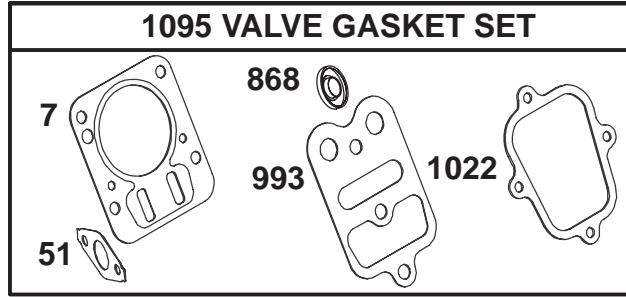
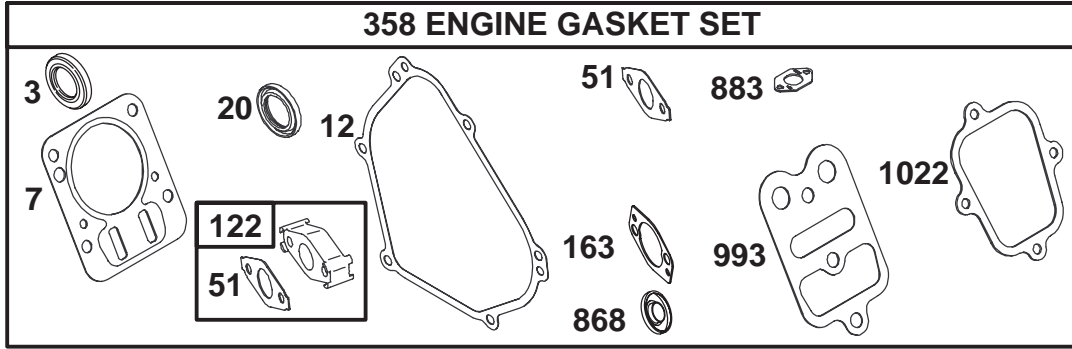
Ref. No.	Part No.	Qty.	Description



Oil Filter, Tube and Pump Assembly Briggs and Stratton Model 110402-0218-E1

Ref. No.	Part No.	Qty.	Description
441	694262	1	Oil Fill Bracket
449	691693	1	Screw (Oil Fill Bracket)
523	693618	1	Dipstick
842	691031	1	O Ring Seal (Dipstick Tube)
847	693617	1	Dipstick/Tube Assembly

Ref. No.	Part No.	Qty.	Description



Assemblies include all parts shown in frames.

Gasket Assembly Briggs and Stratton Model 110402-0218-E1

Ref. No.	Part No.	Qty.	Description
★3	299819	1	Oil Seal (Magneto Side)
★△7	695166	1	Cylinder Head Gasket
★12	692549	1	Crankcase Cover Gasket
★20	692550	1	Oil Seal (PTO Side)
★△◆51	692555	1	Intake Gasket
★●122	693749	1	Carburetor Spacer
★●◆163	693458	1	Air Cleaner Gasket
358	695155	1	Engine Gasket Set
★△868	692044	1	Valve Seal
★883	691893	1	Exhaust Gasket
★△993	694088	1	Cylinder Head Plate Gasket
★△1022	691890	1	Rocker Cover Gasket
1095	695289	1	Valve Gasket Set

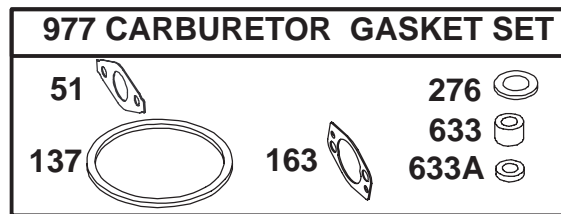
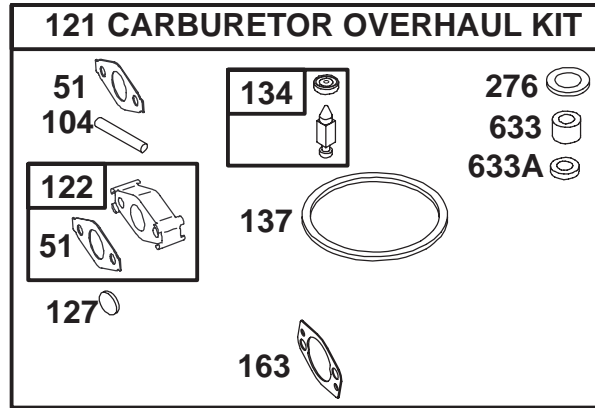
Ref. No.	Part No.	Qty.	Description

△ Included in Valve Gasket Set-Ref. 1095.

★ Included in Engine Gasket Set-Ref. 358.

● Included in Carburetor Overhaul Kit-Ref. 121.

◆ Included in Carburetor Gasket Set-Ref. 977.



Assemblies include all parts shown in frames.

Carburetor Overhaul Kit Assembly Briggs and Stratton Model 110402-0218-E1

Ref. No.	Part No.	Qty.	Description
★△◆51	692555	1	Intake Gasket
●104	691242	1	Float Hinge Pin
121	695157	1	Carburetor Overhaul Kit
★●122	693749	1	Carburetor Spacer
●127	691739	1	Welch Plug
●134	398188	1	Needle/Seat Kit
◆137	693981	1	Float Bowl Gasket
★◆163	693458	1	Air Cleaner Gasket
◆276	271716	1	Sealing Washer
◆633	693867	1	Choke/Throttle Shaft Seal
◆633A	691321	1	Choke/Throttle Shaft Seal
977	695156	1	Carburetor Gasket Set

Ref. No.	Part No.	Qty.	Description

△ Included in Valve Gasket Set-Ref. 1095.
★ Included in Engine Gasket Set-Ref. 358.

● Included in Carburetor Overhaul Kit-Ref. 121.
◆ Included in Carburetor Gasket Set-Ref. 977.

Maintenance Record

Date								

Maintenance Record

Date								

