



# 14in Electric Trimmer

Model No. 51480A—Serial No. 320000001 and Up

Operator's Manual



If you have questions or problems, call toll free 1-888-367-6631 (US), 1-888-430-1687 (Canada), or 1-800-450-9350 (Mexico) before returning this product.

This trimmer is intended to be used by residential homeowners to trim grass as needed outdoors. This trimmer may only use Toro-approved attachments. Using this product for purposes other than its intended use could prove dangerous to you and bystanders.

Read this information carefully to learn how to operate and maintain your product properly and to avoid injury and product damage. You are responsible for operating the product properly and safely.

Visit [www.Toro.com](http://www.Toro.com) for product safety and operation training materials, accessory information, help finding a dealer, or to register your product.

## ▲ WARNING

### CALIFORNIA Proposition 65 Warning

The power cord on this product contains lead, a chemical known to the State of California to cause birth defects or other reproductive harm. Wash hands after handling.

Use of this product may cause exposure to chemicals known to the State of California to cause cancer, birth defects, or other reproductive harm.

## General Safety Rules

**WARNING:** When using electric gardening appliances, basic safety precautions should always be followed to reduce the risk of fire, electric shock, and personal injury, including the following:

## READ ALL INSTRUCTIONS

The term "power tool" in all of the warnings refers to your mains-operated (corded) power tool or battery-operated (cordless) power tool.

1. **Work area safety**
  - A. **Keep work area clean and well lit.** *Cluttered or dark areas invite accidents.*
  - B. **Do not operate power tools in explosive atmospheres, such as in the presence of flammable liquids, gases, or dust.** *Power tools create sparks, which may ignite the dust or fumes.*
  - C. **Keep children and bystanders away while operating a power tool.** *Distractions can cause you to lose control.*
2. **Electrical safety**
  - A. **Power tool plugs must match the outlet. Never modify the plug in any way. Do not use any adapter plugs with earthed (grounded) power tools.** *Unmodified plugs and matching outlets will reduce risk of electric shock.*
  - B. **Avoid body contact with earthed or grounded surfaces.** *There is an increased risk of electric shock if your body is earthed or grounded.*
  - C. **Do not abuse the cord. Never use the cord for carrying, pulling, or unplugging the power tool. Keep cord away from heat, oil, sharp edges, or moving parts.** *Damaged or entangled cords increase the risk of electric shock.*
  - D. **Do not expose power tools to rain or wet conditions.** *Water entering a power tool will increase the risk of electric shock.*
  - E. **When operating a power tool outdoors, use an extension cord suitable for outdoor use.** *Use of a cord suitable for outdoor use reduces the risk of electric shock.*
  - F. **Disconnect the plug from the power source when the appliance is not in use.**



### 3. Personal safety

- A. **Stay alert; watch what you are doing, and use common sense when operating a power tool. Do not use a power tool while you are tired or under the influence of drugs, alcohol, or medication. A moment of inattention while operating power tools may result in serious personal injury.**
- B. **Use personal protective equipment. Always wear eye protection. Wear appropriate clothing, including eye protection; long pants; substantial, slip-resistant footwear; rubber gloves; and hearing protection. Wear a dust mask in dusty operating conditions.**
- C. **Dress properly. Tie back long hair and do not wear loose clothing or jewelry. Keep your hair, clothing and gloves away from moving parts. Loose clothes, jewelry, or long hair can be caught in moving parts.**
- D. **Prevent unintentional starting. Ensure the switch is in the off-position before connecting to power source, picking up or carrying the tool. Carrying power tools with your finger on the switch or energizing power tools that have the switch on invites accidents.**
- E. **Do not overreach. Keep proper footing and balance at all times. This enables better control of the power tool in unexpected situations.**
- F. **Keep hands and feet away from the cutting area.**
- G. **Do not allow children or untrained people to operate or service this device. Allow only people who are responsible, trained, familiar with the instructions, and physically capable to operate or service the device.**

### 4. Power tool use and care

- A. **Do not force the power tool. Use the correct power tool for your application. The correct power tool will do the job better and safer at the rate for which it was designed.**
- B. **Do not use the power tool if the switch does not turn it on and off. Any power tool that cannot be controlled with the switch is dangerous and must be repaired.**
- C. **Disconnect the plug from the power source from the power tool before making any adjustments, changing accessories, or storing power tools. Such preventive safety measures reduce the risk of starting the power tool accidentally.**
- D. **Store idle power tools out of the reach of children, and do not allow persons unfamiliar with the power tool or these instructions to operate the power tool. Power tools are dangerous in the hands of untrained users.**
- E. **Store idle appliances indoors. When not in use, appliances should be stored indoors in a dry and high or locked-up place, out of the reach of children.**
- F. **Maintain power tools. Check for misalignment or binding of moving parts, breakage of parts, and any other condition that may affect the operation of the power tool. If damaged, have the power tool repaired before use. Many accidents are caused by poorly maintained power tools.**
- G. **Keep cutting tools sharp and clean. Properly maintained cutting tools with sharp cutting edges are less likely to bind and are easier to control.**
- H. **Maintain Appliance With Care – Keep cutting edge sharp and clean for best performance and to reduce the risk of injury. Follow instructions for lubricating and changing accessories. Inspect appliance cord periodically, and if damaged, have it repaired by an authorized service facility. Inspect extension cords periodically and replace if damaged. Keep handles dry, clean, and free from oil and grease.**
- I. **Check Damaged Parts – Before further use of the appliance, a guard or other part that is damaged should be carefully checked to determine that it will operate properly and perform its intended function. Check for alignment of moving parts, binding of moving parts, breakage of parts, mounting, and any other condition that may affect its operation. A guard or other part that is damaged should be properly repaired or replaced by an authorized service center unless indicated elsewhere in this manual.**
- J. **Use the power tool in accordance with these instructions and in the manner intended for the particular type of power tool, taking into account the working conditions and the work to be performed. Use of the power tool for operations different from those intended could result in a hazardous situation.**
- K. **Keep guards in place and in working order.**
- L. **Ground Fault Circuit Interrupter (GFCI) protection should be provided on the circuit(s) or outlet(s) to be used for the gardening appliance. Receptacles are available having built-in GFCI protection and may be used for this measure of safety.**
- M. **To reduce the risk of electric shock, this appliance has a polarized plug (one blade is wider than the other) and will require the use of a polarized extension cord. The appliance plug will fit into a polarized extension cord only one way. If the plug does not fit, obtain a correct**

polarized extension cord. A polarized extension cord will require the use of a polarized wall outlet. This plug will fit into the polarized wall outlet only one way. If the plug still does not fit, contact a qualified electrician to install the proper wall outlet. Do not change the equipment plug, extension cord receptacle, or extension cord plug in any way.

5. **Service**

- A. **Have your power tool serviced by a qualified repair person using only identical replacement parts.**  
*This will ensure that the safety of the power tool is maintained.*
- B. **If the cord is damaged, it must be replaced by the manufacturer, its authorized service agent or a similarly qualified in order to avoid hazard.**

6. **Double-insulated Appliance**

In a double-insulated appliance, 2 systems of insulation are provided instead of grounding. No grounding means is provided on a double-insulated appliance, nor should a means for grounding be added to the appliance. Servicing a double-insulated appliance requires extreme care and knowledge of the system, and should be done only by the qualified service personnel at your Authorized Service Dealer. Replacement parts for a double-insulated appliance must be identical to the parts that they replace. A double-insulated appliance is marked with the words "Double Insulation" or "Double Insulated." The symbol (□) shall also be marked on the appliance.

7. **Extension Cord**

**⚠ WARNING**

**Using an incorrect extension cord may result in electric shock.**

**Use only with an extension cord intended for outdoor use, such as an extension cord of cord type SW-A, SOW-A, STW-A, STOW-A, SJW-A, SJOW-A, SJTW-A, or SJTOW-A**

Ensure that your extension cord is in good condition. When using an extension cord, use one heavy enough to carry the current your product will draw. An undersized extension cord will cause a drop in line voltage, resulting in loss of power and overheating. The following table lists the correct cord size depending on the length of the cord. If you are in doubt, use the next heavier gauge. The smaller the gauge number, the heavier the cord.

<b>Extension Cord Length</b>	<b>Minimum Wire Gauge (A.W.G.)</b>
7.6 m (25 feet)	16
15.0 m (50 feet)	16
30.5 m (100 feet)	16
45.7 m (150 feet)	14

**Note:** Do not use an extension cord over 45.7 m (150 feet) long.

To reduce the risk of disconnection of the extension cord during use, connect the extension cord to the trimmer as illustrated in [Connecting to a Power Source \(page 8\)](#).

Do not allow children or untrained people to operate or service this device. Allow only people who are responsible, trained, familiar

with the instructions, and physically capable to operate or service the device.

# SAVE THESE INSTRUCTIONS

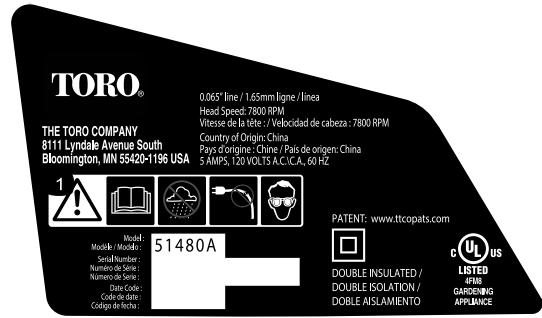
Electrical specifications: 120V ~ 60Hz 5A

# Safety and Instructional Decals



Safety decals and instructions are easily visible to the operator and are located near any area of potential danger. Replace any decal that is damaged or missing.

Symbol	Name	Explanation
AC	Alternating current	Type of current
A	Amperes	Current
Hz	Hertz	Frequency (cycles per second)
rpm	Revolutions per minute	Speed of string
V	Volts	Voltage
	Safety Alert	Indicates a potential personal injury hazard.
	Read The Operator's Manual	To reduce the risk of injury, user must read and understand operator's manual before using this product.
	Wet Conditions Alert	Do not expose to rain or use in damp locations.
	Cable Damage Alert	Remove plug from the mains immediately if cable is damaged or cut.
	Eye Protection	Always wear eye protection with side shields marked to comply with ANSI Z87.1.



decal125-8324c

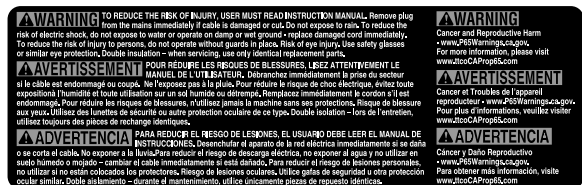
125-8324

- Warning—read the *Operator's Manual*; do not operate in wet conditions; do not use if the cord is damaged; wear eye protection.



decal131-0361b

131-0361



decal138-6683

138-6683

# Setup

## Loose Parts

Use the chart below to verify that all parts have been shipped.

Procedure	Description	Qty.	Use
<b>1</b>	Auxiliary handle	1	Install the auxiliary handle.
	Latch	1	
	Brace	1	
<b>2</b>	Guard	1	Install the guard.
	Phillips screw	1	
<b>3</b>	Edge guard	1	Install the edge guard.
<b>4</b>	No parts required	–	Adjust the trimmer height and the base position.

# 1

## Installing the Auxiliary Handle

### Parts needed for this procedure:

1	Auxiliary handle
1	Latch
1	Brace

1. Position the auxiliary handle on the shaft of the trimmer with the smooth surface facing you (Figure 1).

2. Slide the brace into the auxiliary handle so that the brace rests in the groove along the shaft (Figure 1).
3. Slide the latch from the left through the handle and brace, and tighten the latch screw with a Phillips screwdriver (Figure 1).

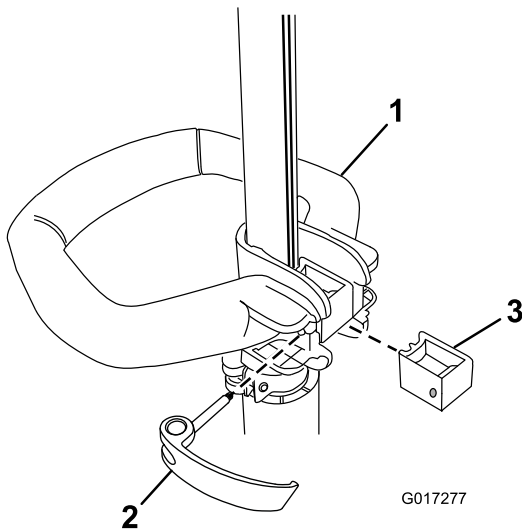


Figure 1

1. Auxiliary handle
2. Latch
3. Brace

# 2

## Installing the Guard

Parts needed for this procedure:

1	Guard
1	Phillips screw

### Procedure

1. Slide the guard onto the trimmer base as shown in [Figure 2](#).

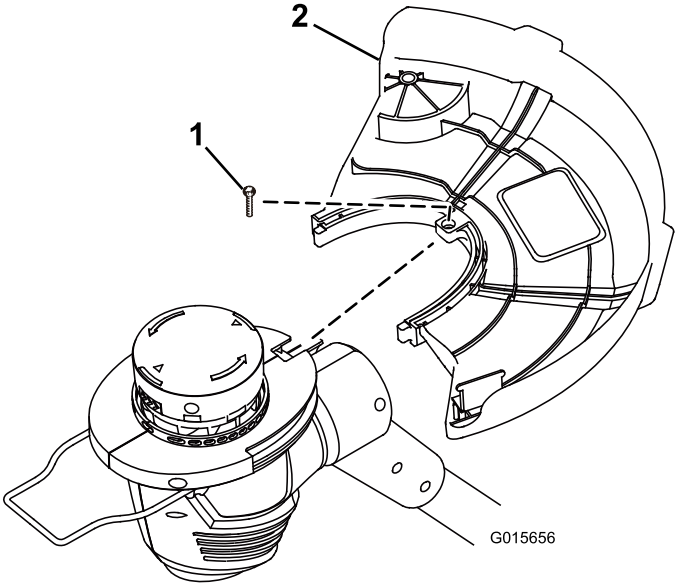


Figure 2

1. Phillips screw
2. Guard

2. Secure the guard using the Phillips screw.

# 3

## Installing the Edge Guard

Parts needed for this procedure:

1	Edge guard
---	------------

### Procedure

Insert the ends of the edge guard into the holes in the trimmer housing as shown in [Figure 3](#).

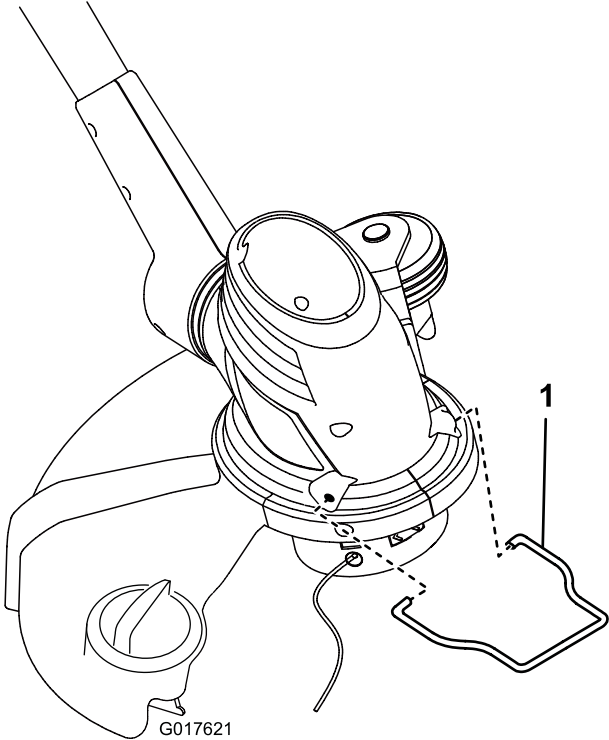


Figure 3

1. Edge guard

# 4

## Adjusting the Trimmer Height and Base Position

No Parts Required

### Procedure

- To adjust the auxiliary handle height, release the auxiliary handle latch, slide the auxiliary handle up or down to the desired height, then secure the auxiliary handle in place by closing the auxiliary latch (Figure 4).

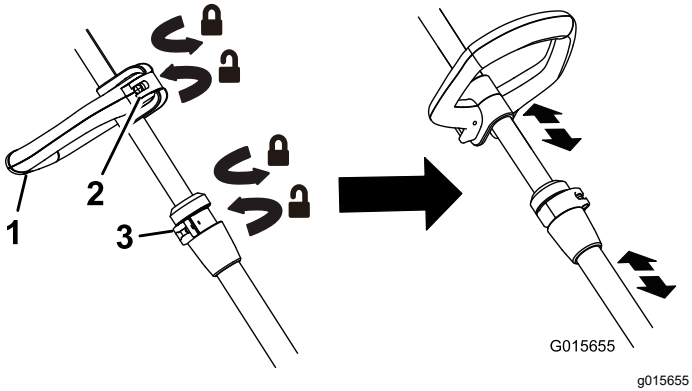


Figure 4

- 1. Auxiliary handle
- 2. Auxiliary-handle latch
- 3. Height-adjustment latch

- To adjust the trimmer height, open the height adjustment latch, then slide the shaft up or down to desired height, securing it in place with the latch (Figure 4).
- To adjust the position of the base, press down on the rotator button located at the base of the shaft, then move the base to face the desired direction (Figure 5).

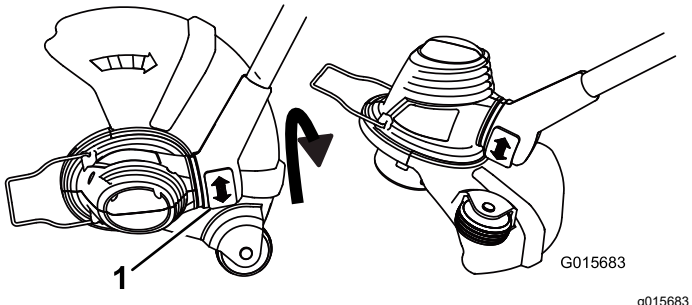


Figure 5

- 1. Rotator button

# Operation

## Connecting to a Power Source

### ⚠ WARNING

If you do not fully seat the extension cord on the inlet plug, the loose plug could lead to overheating and cause a fire, possibly burning you or others.

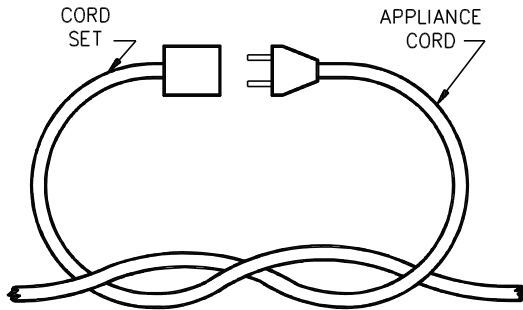
Ensure that you fully seat the cord on the plug and use the cord lock feature to secure the cord.

**NOTICE!** Do not use a damaged cord.

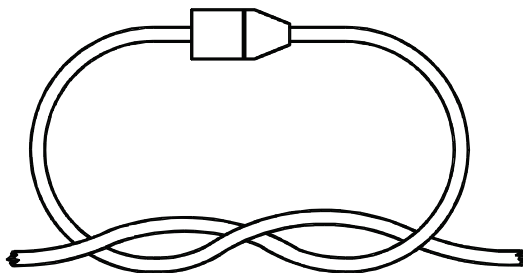
**Note:** This appliance has a polarized plug (one blade is wider than the other) and only fits into a polarized outlet or polarized extension cord one way.

Tie together 2 connections so that the cords do not become unplugged as shown in [Figure 6](#).

### METHOD OF SECURING EXTENSION CORD



(A) THE CORD AS SHOWN



(B) CONNECT PLUG AND RECEPTACLE

Figure 6

g343814

## Starting the Trimmer

To start the trimmer, slide the lock switch back to the ON position, then squeeze the trigger ([Figure 7](#)).

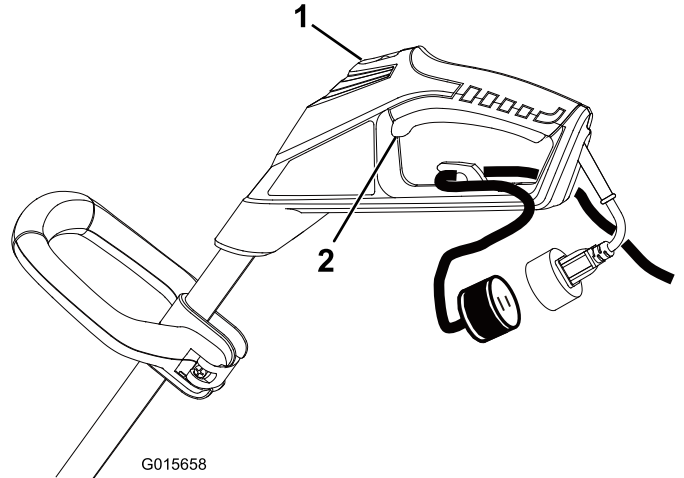


Figure 7

g015658

1. Lock switch

2. Trigger

## Stopping the Trimmer

To stop the trimmer, release the trigger.



# Advancing the Line

**Note:** The trimmer is equipped with an auto-feed head.

1. With the trimmer running, release the switch trigger.
2. Wait 2 seconds, then press the switch trigger.

**Note:** The line extends approximately 6 mm (1/4 inch) with each stop and start of the switch trimmer until the line reaches the length of the grass deflector blade.

3. Resume trimming.

# Advancing the Line Manually

Disconnect the string trimmer from the power supply, then push the red button at the base of the spool retainer while pulling on the trimmer line to manually advance the line.

# Trimming



Figure 8

# Edging

To convert the trimmer to an edger, press the rotator button and rotate the head as shown in Figure 9.

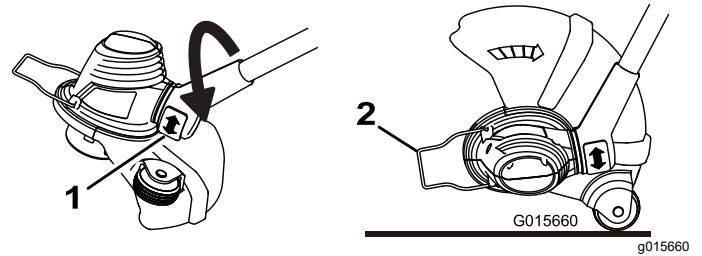


Figure 9

1. Rotator button
2. Edger guide

# Edging Tips

**Important:** Always hold the edger away from the body keeping clearance between your body and the edger. Any contact with the edger cutting head while operating can result in serious personal injury.

- Hold the edger with your right hand on the rear handle and your left hand on the front handle.
- Keep a firm grip with both hands while in operation.
- The edger should be held at a comfortable position with the rear handle about hip height.
- The edger will edge along sidewalks, driveways, flower beds, curbs, and similar areas.
- Cut at a steady pace. If the edger begins to bog down, you are edging too fast; slow your pace. Do not force the edger into ground.
- Light contact of the edger cutting head against the sidewalk edge, curb, etc., is acceptable and will not damage the edger.
- Best appearance is obtained when grass is dry. Avoid edging in wet soil or wet grass areas or the guard might clog and result in an uneven edge. If the guard becomes clogged, stop the edger, disconnect the edger from the power source, and remove debris from the guard.

# Operating Tips

- Keep the trimmer tilted toward the area being cut; this is the best cutting area.
- The string trimmer cuts when passing the unit from left to right. This avoids throwing debris at you.
- Use the tip of the string to do the cutting; do not force the string head into uncut grass.
- Using the trimmer along wire and picket fences, stone and brick walls, curbs, and wood can cause the line to rapidly wear and even break.
- Avoid trees and shrubs. Tree bark, wood moldings, siding, and fence posts can easily be damaged by the strings.

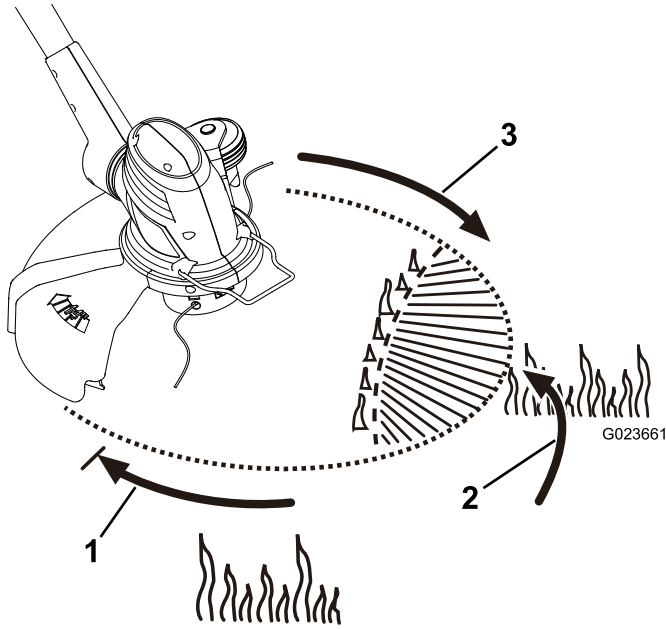


Figure 10

- 1. Direction of rotation
- 2. Ideal cutting range
- 3. String path

# Maintenance

After each use of the trimmer, disconnect it from the power source and complete the following:

1. Wipe the trimmer clean with a damp cloth. **Do not hose the trimmer down or submerge it in water.**
2. Wipe or scrape clean any debris from the cutting-head area.
3. Check and tighten all fasteners. If any part is damaged or lost, repair or replace it.
4. Brush debris away from the air intake vents on the motor housing to prevent the motor from overheating.

# Replacing the Spool

**Important:** Use only 1.65 mm (0.065 in) diameter monofilament string. For best performance, use only the manufacturer replacement string (Part No. 88512).

**Important:** Using a larger diameter string may cause the motor to overheat and fail.

1. Push in the tabs on the side of the spool retainer (Figure 11).

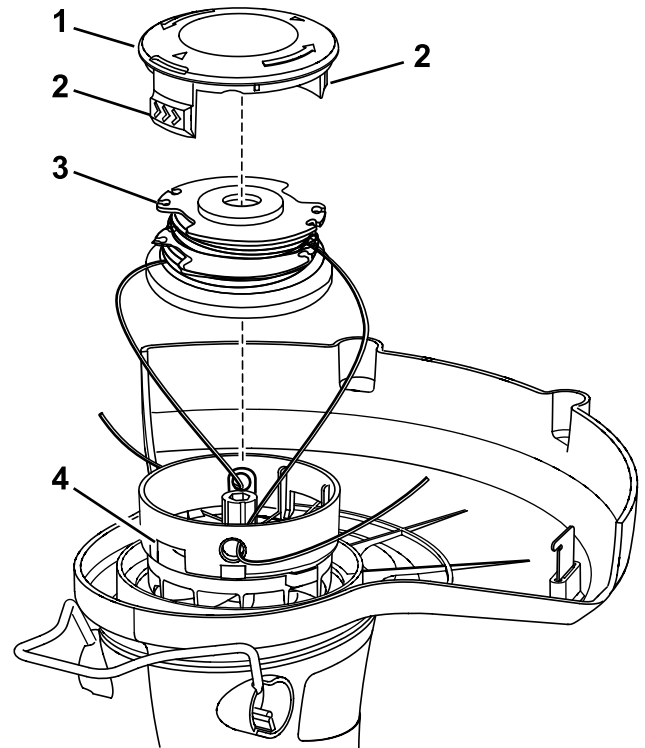


Figure 11

- 1. Spool retainer
- 2. Spool
- 3. Slots
- 4. Tabs

2. Pull the spool retainer up to remove it.
3. Remove the spool.
4. Install the new spool, making sure that the strings are captured in the retaining slots on the new spool.

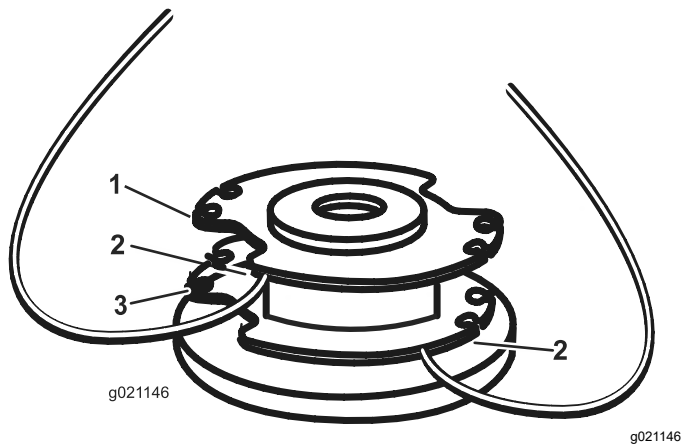
**Note:** Make sure that the ends of the strings extend approximately 152 mm (6 inches).

5. Install the new spool so that the string ends align with the eyelets in the string head, and thread the string ends through the eyelets.
6. Pull the strings extending from the string head so that the strings release from the slots in the spool.
7. Install the spool retainer by pressing the tabs into the slots and pushing down on the spool until the spool retainer clicks into place.

## Replacing the String

**Important:** Use only 1.65 mm (0.065 inch) diameter monofilament string. Do not use any other gauge or type of string, as this could damage the trimmer.

1. Remove the spool; refer to [Replacing the Spool \(page 10\)](#).
2. Remove any string remaining on the spool.
3. Insert the string into the anchor hole in the upper part of the spool ([Figure 12](#)).



**Figure 12**

1. Slot in upper spool flange
2. Hole
3. Slot in lower spool flange

**Note:** Wind the string onto the spool in the direction shown by the arrows on the spool.

**Note:** The spool can accept up to 4.6 m (15 ft) of string.

4. Place the string ends in the slots on the upper spool flange, leaving about 152 mm (6 inches) beyond the slot.

**Note:** Do not overfill the spool. After winding the string, there should be at least 6 mm (1/4 inch) between each of the wound strings and the outside edge of the spool.

5. Replace the spool and the spool retainer; refer to [Replacing the Spool \(page 10\)](#).

## Service

Toro has designed this product to give you years of trouble-free use. Should it need service, bring the product to your Authorized Service Dealer.

## Storage

Disconnect the trimmer from the power source, and store the trimmer and the extension cord indoors in a cool, dry location and out of the reach of children and animals.

**Important:** Do not rest the trimmer on the guard, or it may warp and interfere with the cutting line.

**Note:** Devices for retaining extension cords are commercially available.

# California Proposition 65 Warning Information

## What is this warning?

You may see a product for sale that has a warning label like the following:



**WARNING: Cancer and Reproductive Harm—[www.p65Warnings.ca.gov](http://www.p65Warnings.ca.gov).**

## What is Prop 65?

Prop 65 applies to any company operating in California, selling products in California, or manufacturing products that may be sold in or brought into California. It mandates that the Governor of California maintain and publish a list of chemicals known to cause cancer, birth defects, and/or other reproductive harm. The list, which is updated annually, includes hundreds of chemicals found in many everyday items. The purpose of Prop 65 is to inform the public about exposure to these chemicals.

Prop 65 does not ban the sale of products containing these chemicals but instead requires warnings on any product, product packaging, or literature with the product. Moreover, a Prop 65 warning does not mean that a product is in violation of any product safety standards or requirements. In fact, the California government has clarified that a Prop 65 warning "is not the same as a regulatory decision that a product is 'safe' or 'unsafe.'" Many of these chemicals have been used in everyday products for years without documented harm. For more information, go to <https://oag.ca.gov/prop65/faqs-view-all>.

A Prop 65 warning means that a company has either (1) evaluated the exposure and has concluded that it exceeds the "no significant risk level"; or (2) has chosen to provide a warning based on its understanding about the presence of a listed chemical without attempting to evaluate the exposure.

## Does this law apply everywhere?

Prop 65 warnings are required under California law only. These warnings are seen throughout California in a wide range of settings, including but not limited to restaurants, grocery stores, hotels, schools, and hospitals, and on a wide variety of products. Additionally, some online and mail order retailers provide Prop 65 warnings on their websites or in catalogs.

## How do the California warnings compare to federal limits?

Prop 65 standards are often more stringent than federal and international standards. There are various substances that require a Prop 65 warning at levels that are far lower than federal action limits. For example, the Prop 65 standard for warnings for lead is 0.5 µg/day, which is well below the federal and international standards.

## Why don't all similar products carry the warning?

- Products sold in California require Prop 65 labelling while similar products sold elsewhere do not.
- A company involved in a Prop 65 lawsuit reaching a settlement may be required to use Prop 65 warnings for its products, but other companies making similar products may have no such requirement.
- The enforcement of Prop 65 is inconsistent.
- Companies may elect not to provide warnings because they conclude that they are not required to do so under Prop 65; a lack of warnings for a product does not mean that the product is free of listed chemicals at similar levels.

## Why does the manufacturer include this warning?

the manufacturer has chosen to provide consumers with as much information as possible so that they can make informed decisions about the products they buy and use. the manufacturer provides warnings in certain cases based on its knowledge of the presence of one or more listed chemicals without evaluating the level of exposure, as not all the listed chemicals provide exposure limit requirements. While the exposure from the manufacturer products may be negligible or well within the "no significant risk" range, out of an abundance of caution, the manufacturer has elected to provide the Prop 65 warnings. Moreover, if the manufacturer does not provide these warnings, it could be sued by the State of California or by private parties seeking to enforce Prop 65 and subject to substantial penalties.