



Tree Forks
Dingo[®] Attachment
Model No. 22438—21000001 and Up

Parts Catalog

Ordering Replacement Parts

To order replacement parts, please supply: the part number, the quantity, and the description of each part desired.

Understanding Reference Numbers

Each identified part in an illustration has a reference number. The reference number for a part also appears in the parts list, along with other information about the part.

This catalog uses two special reference number formats, one to indicate parts in a service assembly and another to indicate the quantity of a given part in an illustration.

Service Assembly Reference Numbers

Parts in service assemblies have reference numbers in the form **a:b**. The **a** represents the reference number of the entire service assembly and the **b** represents a sequential number unique to each part within the service assembly.

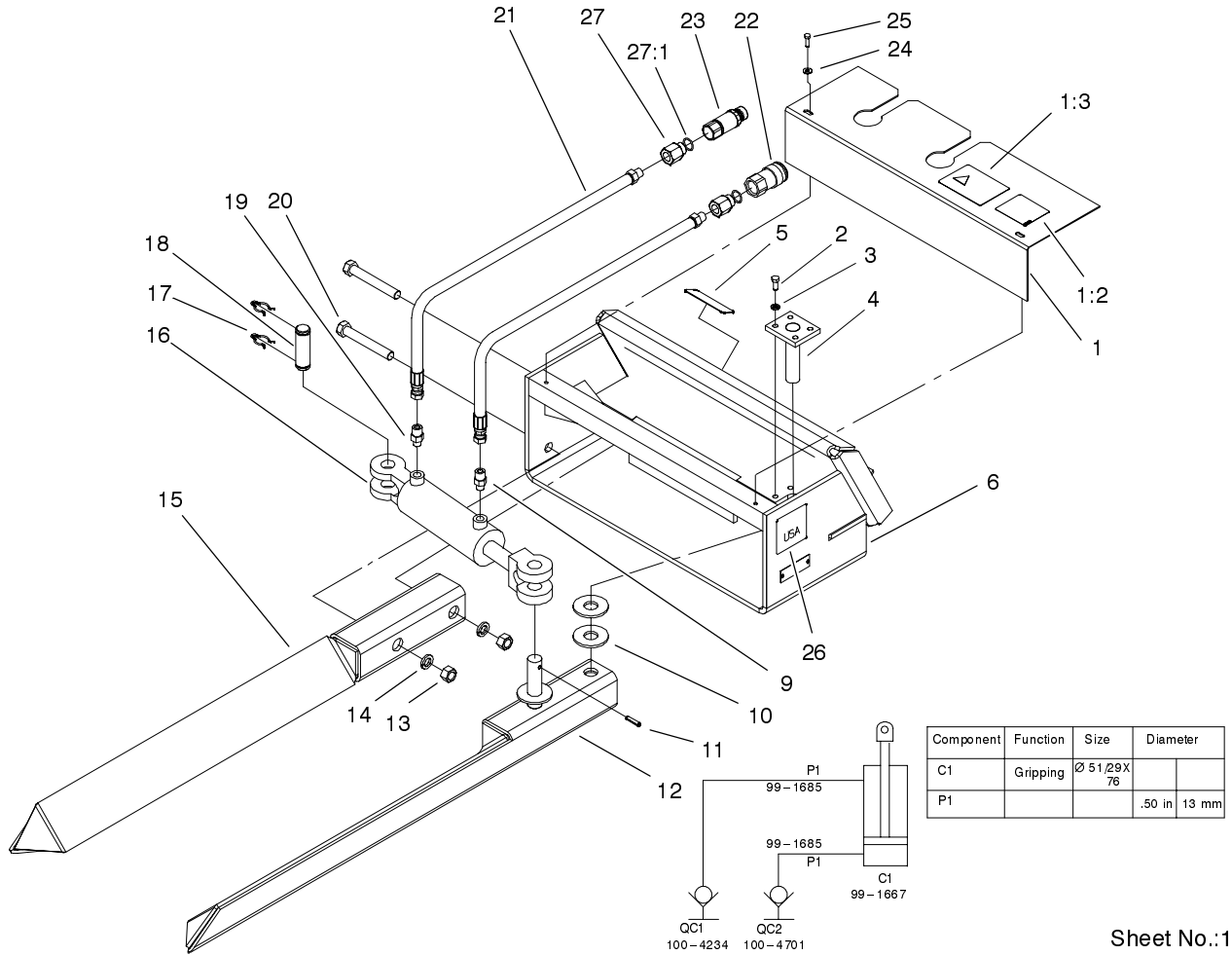
For example, a wheel assembly might be identified by reference number **6**, the tire by **6:1**, the valve by **6:2**, and the wheel by **6:3**. When you order the assembly identified by reference number **6**, you receive all parts identified by reference numbers **6:1**, **6:2**, and **6:3**. However, you may also order any part individually.

Reference numbers of this type appear in illustrations and in part lists.

Reference Numbers Indicating Quantity

In an illustration, if a reference number indicates more than one part, the reference number has the form **nX y**. The **n** represents the quantity of the part, the **X** is the multiplication symbol, and the **y** represents the reference number.

For example, in an illustration, the reference number **2X 37** means that two of the parts identified by reference number **37** are indicated.



Sheet No.:1

Tree Forks Assembly

Ref. No.	Part No.	Qty.	Description
1	99-1669	1	Shield ASM
1:2	100-4650	1	Decal-Warning
1:3	100-4690	1	Decal-Load Rating
2	3274-10	4	Screw-HSH
3	3253-4	4	Washer-Lock
4	99-1672	1	Pin
5	98-4683	1	Decal-Attachment, Dingo
6	99-1680	1	Frame
9	99-1686	1	Connector - Straight
10	3256-10	2	Washer-Flat
11	32121-9	1	Pin-Spring
12	99-1683	1	Arm-Pivot, LH
13	3219-6	2	Nut-Hex
14	3253-8	2	Washer-Lock
15	99-1682	1	Arm-Pivot, RH
16	99-1667	1	Cylinder - Tree Fork
*16:1	100-4695	1	Kit-Seal
17	99-1689	2	Clip - Pin
18	99-1688	1	Pin - Cylinder Pivot
19	99-1687	1	Connector-Straight Orifice
20	3214-15	2	Screw-HH
21	99-1685	2	Hydraulic Hose ASM
22	100-4234	1	Coupler-Face, Flush
*22:1	100-6119	1	Kit-Seal

Ref. No.	Part No.	Qty.	Description
23	100-4701	1	Nipple-Connect, Pressure
*23:1	100-6120	1	Kit-Seal
24	3256-1	2	Washer-Flat
25	3274-8	2	Screw-HSH
26	98-3269	1	Decal-Made In USA
27	100-4618	2	Adapter-HYD
27:1	237-80	1	O-Ring

* Not illustrated