



**Count on it.**

**Parts Catalog**

**Greensmaster® eFlex® 2120  
Traction Unit**

Model No. 04049—Serial No. 400000000 and Up



# Ordering Replacement Parts

To order replacement parts, please supply the part number, the quantity, and the description of each part desired.

## Understanding Reference Numbers

Each identified part in an illustration has a reference number. The reference number for a part also appears in the parts list, along with other information about the part.

This catalog uses two special reference number formats, one to indicate parts in a service assembly and another to indicate the quantity of a given part in an illustration.

## Service Assembly Reference Numbers

Parts in service assemblies have reference numbers in the form a:b. The a represents the reference number of the entire service assembly and the b represents a sequential number unique to each part within the service assembly.

For example, a wheel assembly might be identified by reference number 6, the tire by 6:1, the valve by 6:2, and the wheel by 6:3. When you order the assembly identified by reference number 6, you receive all parts identified by reference numbers 6:1, 6:2, and 6:3. However, you may also order any part individually. Reference numbers of this type appear in illustration and in parts lists.

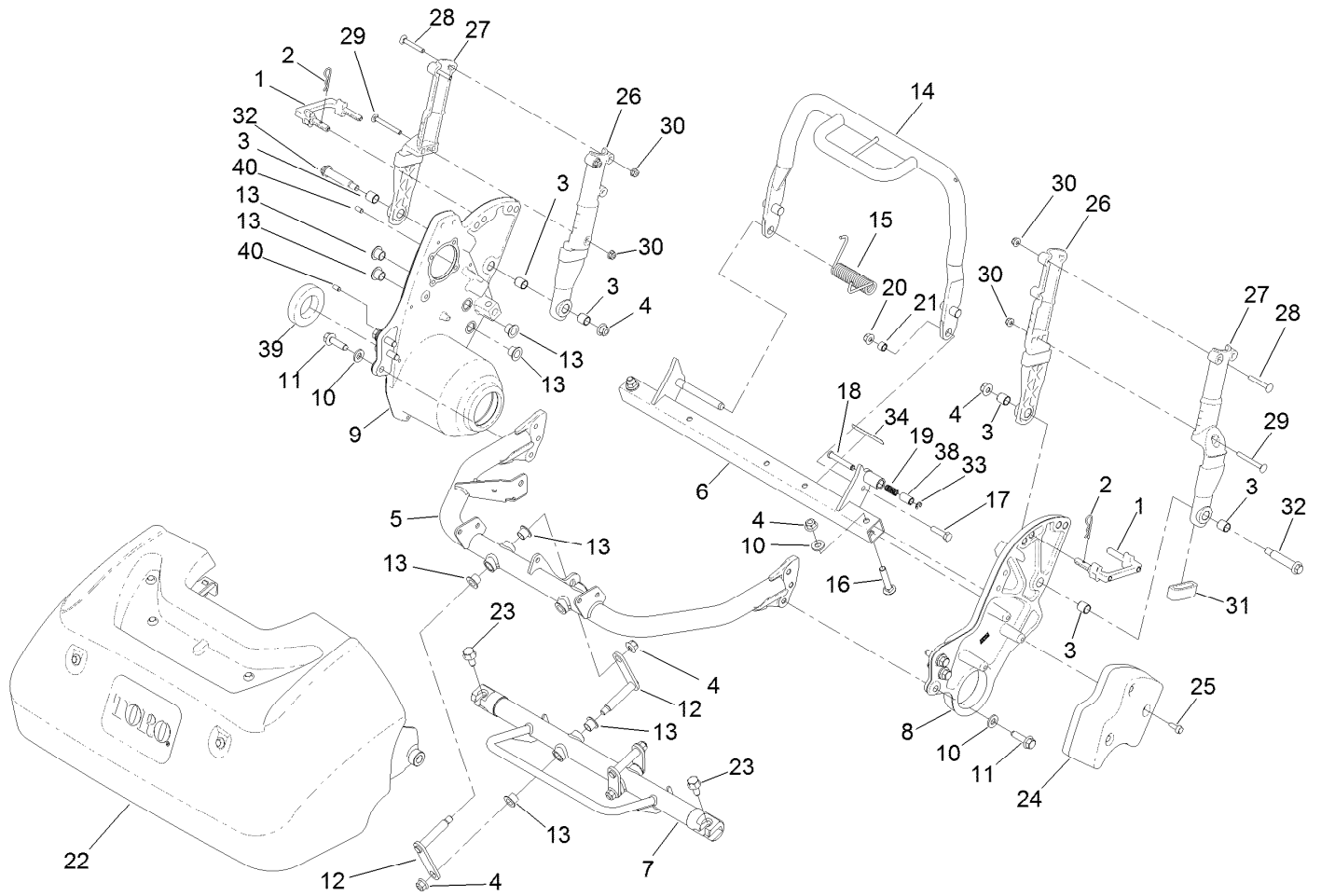
## Reference Numbers Indicating Quantity

In an illustration, if a reference number indicates more than one part, the reference number has the form nX y. The n represents the quantity of the part, the X is the multiplication symbol, and the y represents the reference number.

For example, in an illustration, the reference number 2X 37 means that two of the parts identified by reference number 37 are indicated.

# Contents

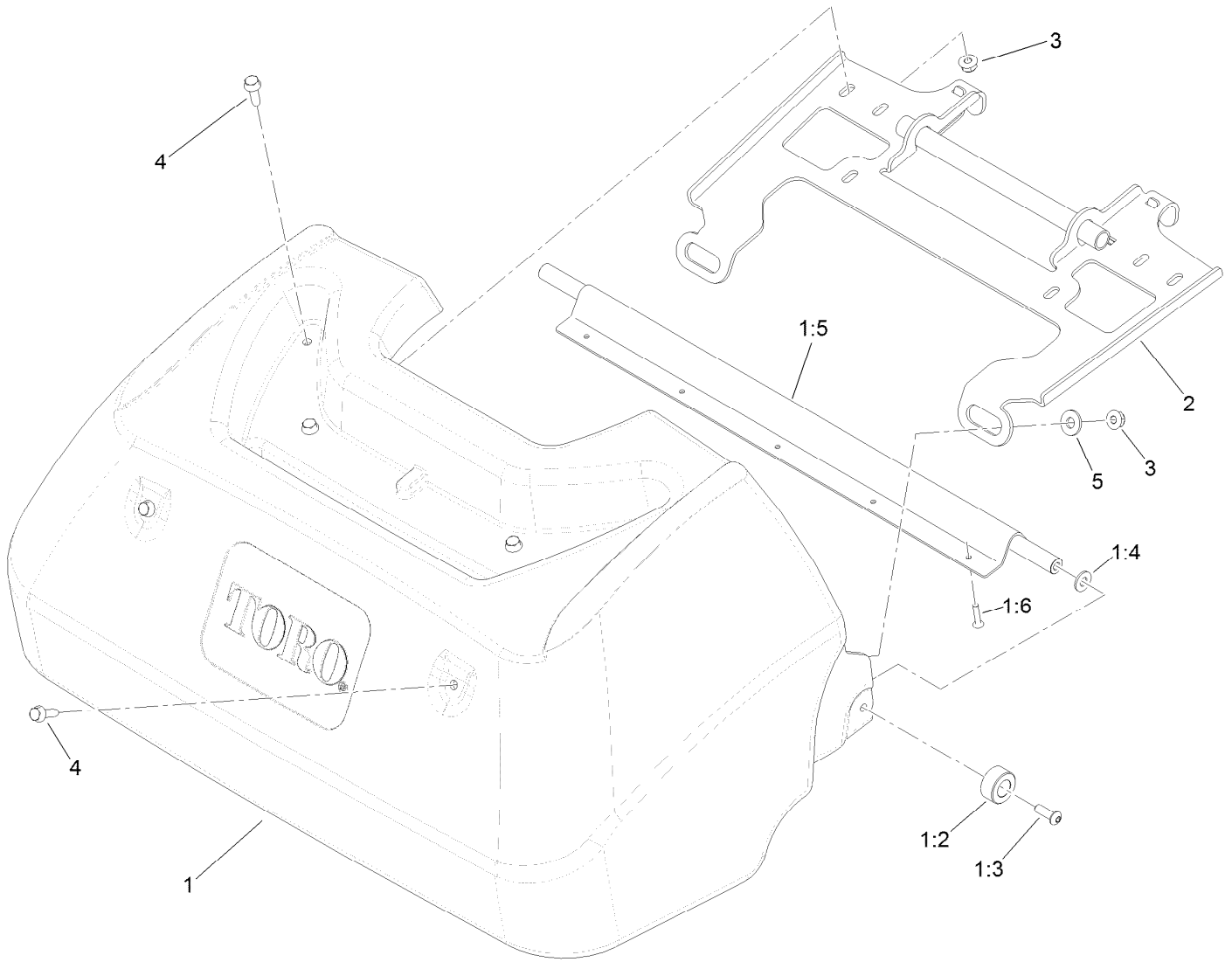
Frame and Handle Mount Assembly .....	4
Grass Basket Assembly .....	5
Left Side Transmission Assembly .....	6
Right Side Transmission Assembly .....	7
Motor Adapter Assembly .....	8
Differential and Traction Drum Assembly .....	9
Differential Assembly No. 115-6711 .....	10
Drum Drive Assembly .....	11
Motor Installation Assembly .....	12
Electric Motor Assembly No. 127-2460 .....	13
Electric Motor Assembly .....	14
Shift Lever Assembly .....	15
Handle Assembly .....	16
Throttle and Console Assembly .....	17
Battery Assembly .....	18
Wire Harness Assembly .....	19
Charger and Miscellaneous Parts Assembly .....	20
650W Lithium Battery Charger Assembly .....	21
900W Lithium Battery Charger Assembly .....	22
Attachments and Accessories .....	23



## Frame and Handle Mount Assembly

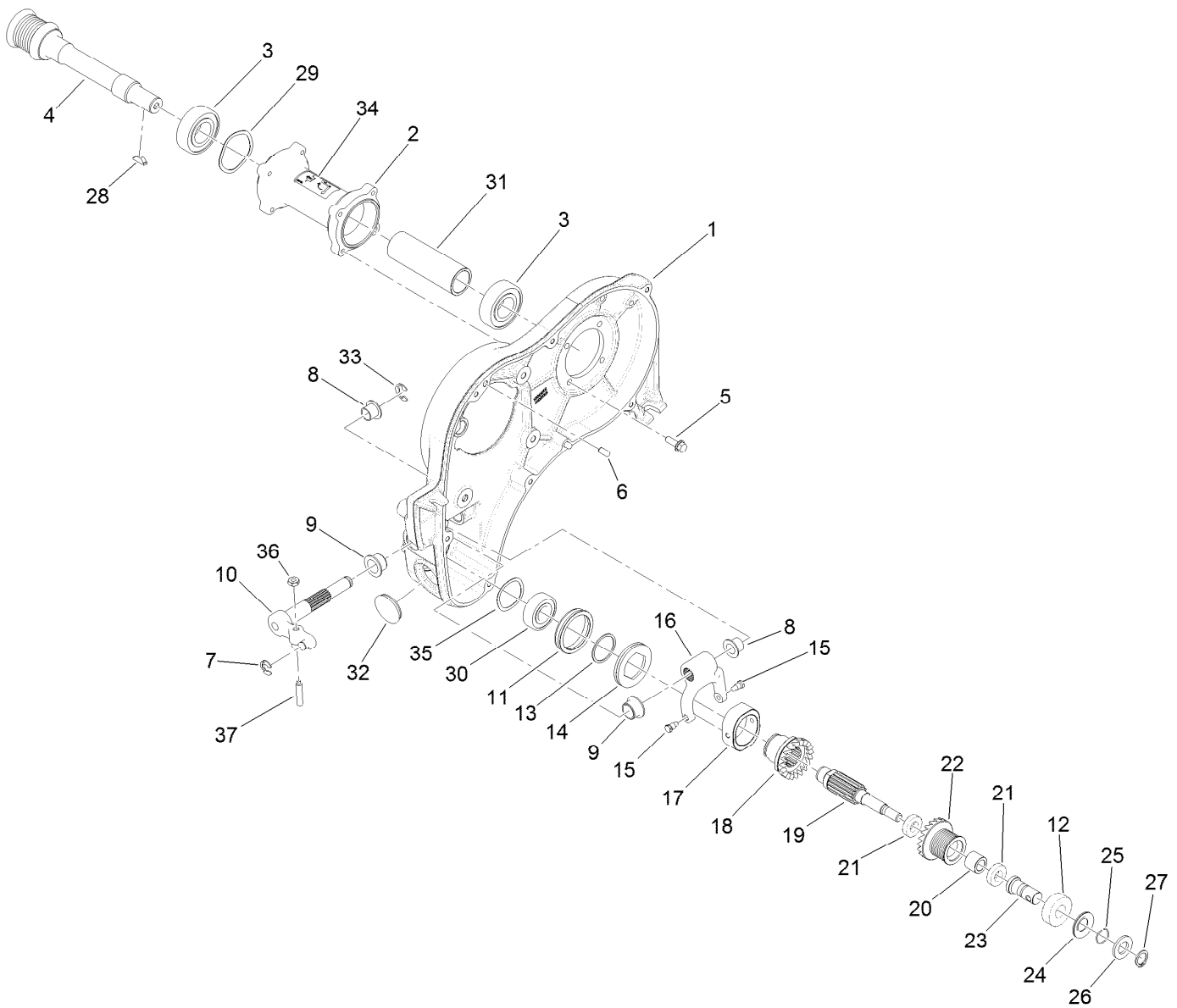
Ref.	Part Number	Qty.	Description	Ref.	Part Number	Qty.	Description
1	120-9241	2	Retainer-Handle	20	119-4041	1	Nut-HF
2	120-9717	2	Pin-Hair	21	120-9697	1	Spacer
3	115-7295	6	Bushing-Straight	22		1	Grass Basket ASM ●
4	119-4042	8	Nut-HF, NI	23	131-6211	2	Screw-HH
5	131-6159-01	1	Frame	24	115-7234-03	1	Weight-Counter
6	115-7110-01	1	Frame-Rear	25	131-6150	3	Screw-HWHTF
7	132-3758-01	1	Frame-Roll	26	125-3522	2	Clamp-Handle
8	115-7160	1	Plate-Side, LH	27	125-3524	2	Clamp-Handle, Offset
9	115-7154	1	Housing-Drive, Drum	28	120-9698	4	Bolt-CARR
10	115-7293	8	Washer-Hardened	29	120-9699	2	Screw-CARR
11	115-7024	6	Screw-HHF	30	119-4040	6	Nut-Flange, NI
12	117-1396	4	Link	31	125-3525	4	Bumper-Handle
13	125-5239	12	Bushing-Flange	32	127-1510	2	Screw-Shoulder
14	115-7255-03	1	Kickstand	33	701197	1	E-Ring
15	115-7258	1	Spring-Torsion, RH	34	133-8061	1	Decal-Warning
16	120-9715	2	Screw-CARR	38	120-9740	1	Spacer
17	120-9696	1	Screw-HH	39	115-6860	1	Bearing-Ball, Stainless
18	120-9739	1	Pin-Lock	40	95-0715	2	Pin-Dowel
19	107-8885	1	Spring-Compression				

● Not serviced separately



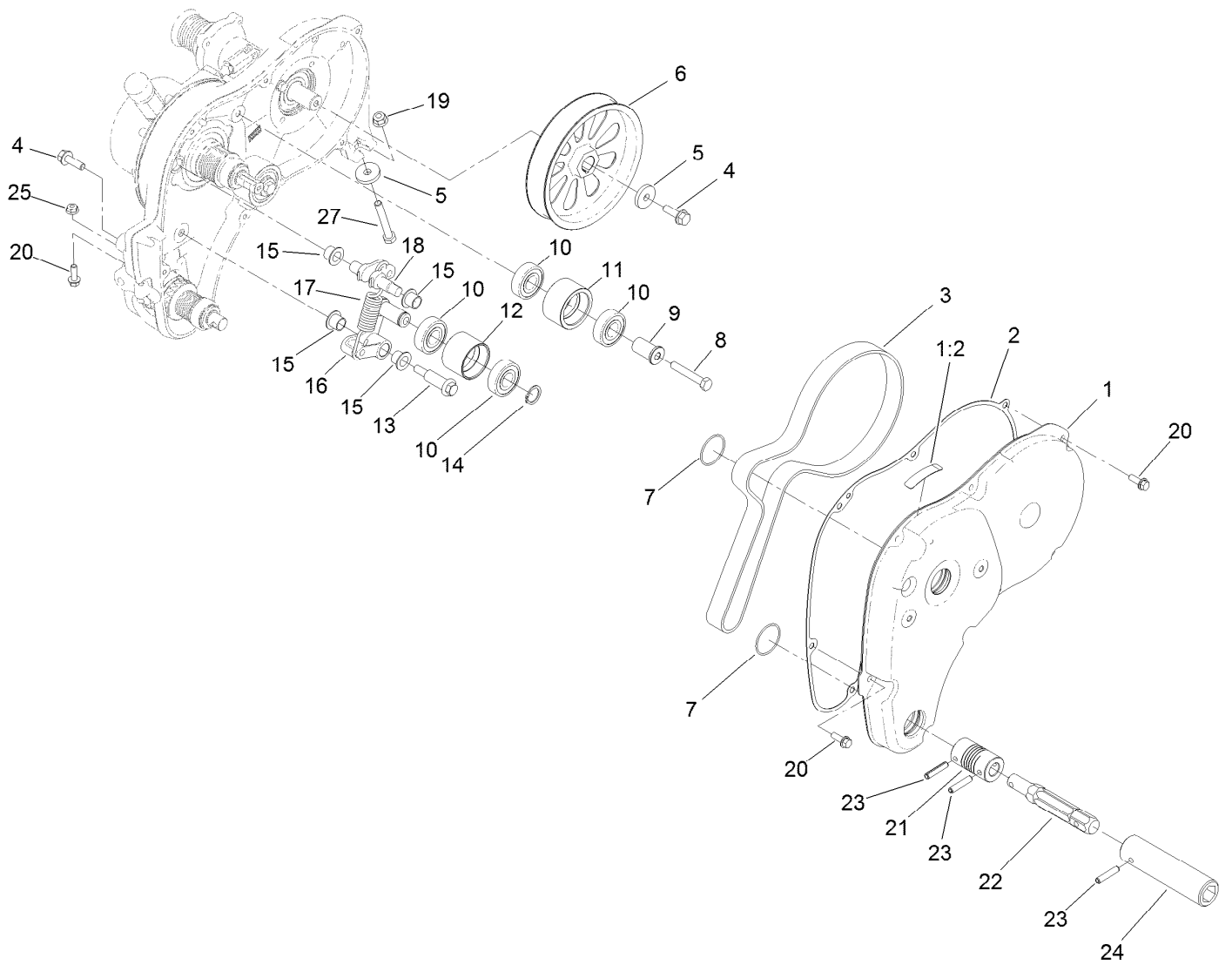
## Grass Basket Assembly

Ref.	Part Number	Qty.	Description
1	127-1539	1	Basket ASM
1:2	121-4730	2	Bumper-Basket
1:3	3274-69	2	Screw-HSBH
1:4	120-9679	2	Washer-Flat
1:5	127-1541	1	Channel
1:6	3290-382	5	Rivet-Pop
2	133-8833-03	1	Bracket-Basket
3	119-4040	6	Nut-Flange, NI
4	119-4012	6	Screw-HWHTF
5	1-603716	2	Washer-Friction



## Left Side Transmission Assembly

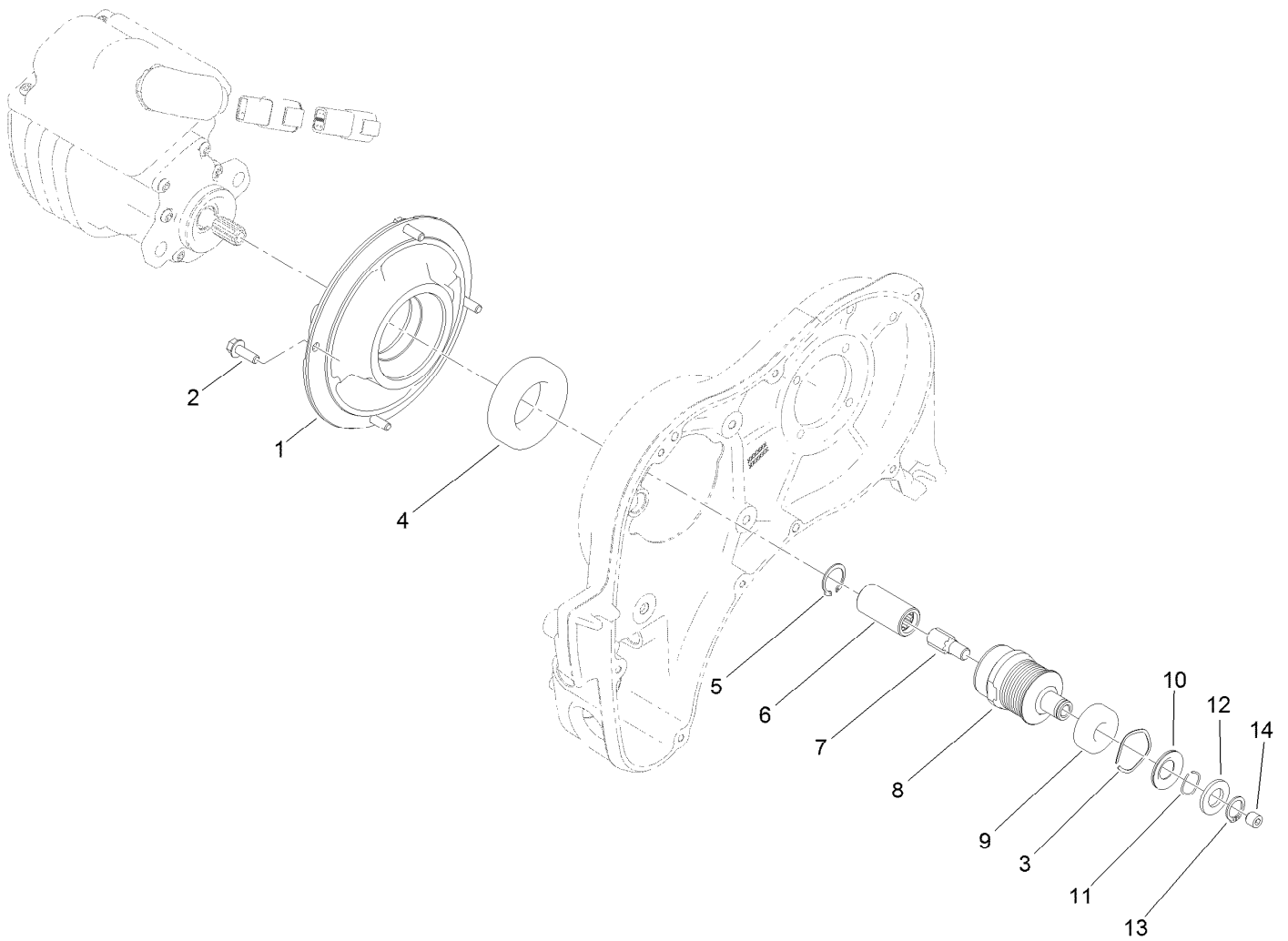
Ref.	Part Number	Qty.	Description	Ref.	Part Number	Qty.	Description
1	131-3079	1	Housing-Transmission	20	115-7222	1	Spacer
2	115-7158	1	Housing-Extension	21	115-6870	2	Bearing-Ball, Sealed
3	251-82	2	Bearing-Ball	22	131-3157	1	Clutch-Jaw, Driver
4	115-6747	1	Pulley-Driven	23	131-3117	1	Collar-Bearing
5	119-1138	4	Screw-HWH	24	115-6923	1	Shield-Bearing, Flocked
6	95-0715	2	Pin-Dowel	25	115-7143	1	Spring-Wave
7	32151-47	1	Ring-Retaining	26	115-7144	1	Washer-Flat
8	125-5239	2	Bushing-Flange	27	115-6755	1	Ring-Retaining
9	108-2973	2	Bushing-Flange	28	3257-30	1	Key-Woodruff
10	115-7126	1	Lever-Clutch, Reel	29	3290-485	1	Washer-Wave
11	115-7131	1	Ring-Brake, Reel	30	38-7820	1	Bearing-Ball
12	115-6869	1	Bearing-Ball, Stainless	31	115-7249	1	Spacer
13	115-7243	1	Ring-Retaining, EXT	32	115-7288	1	Plug
14	115-7130	1	Disc-Brake, Reel	33	32120-47	1	Ring-Retaining, External
15	115-7123	2	Pin-Pivot, Clutch	34	120-9571	1	Decal-Release, Traction
16	115-7124	1	Fork-Clutch, Reel	35	131-3170	1	Spring-Wave
17	115-7125	1	Hub-Clutch, Reel	36	120-9695	1	Nut-Jam
18	131-3158	1	Clutch-Jaw, Slider	37	1239	1	Setscrew
19	115-7138	1	Shaft-Clutch				



## Right Side Transmission Assembly

Ref.	Part Number	Qty.	Description
1	132-9589	1	Transmission Cover ASM
1:2	120-9570	1	Decal-Warning
2	115-7140	1	Gasket-Housing, Main
3	115-6743	1	Belt-Drive, Main
4	115-5142	2	Screw-HHF
5	115-7292	2	Washer-Hardened
6	115-7285	1	Pulley-Driven
7	107-9455	2	O-Ring
8	120-9686	2	Screw-HH
9	115-7129	2	Bushing-Pulley, Idler
10	38-7820	6	Bearing-Ball
11	115-6873	2	Pulley-Idler
12	115-7133	1	Pulley-Idler
13	127-1509	1	Screw-Shoulder

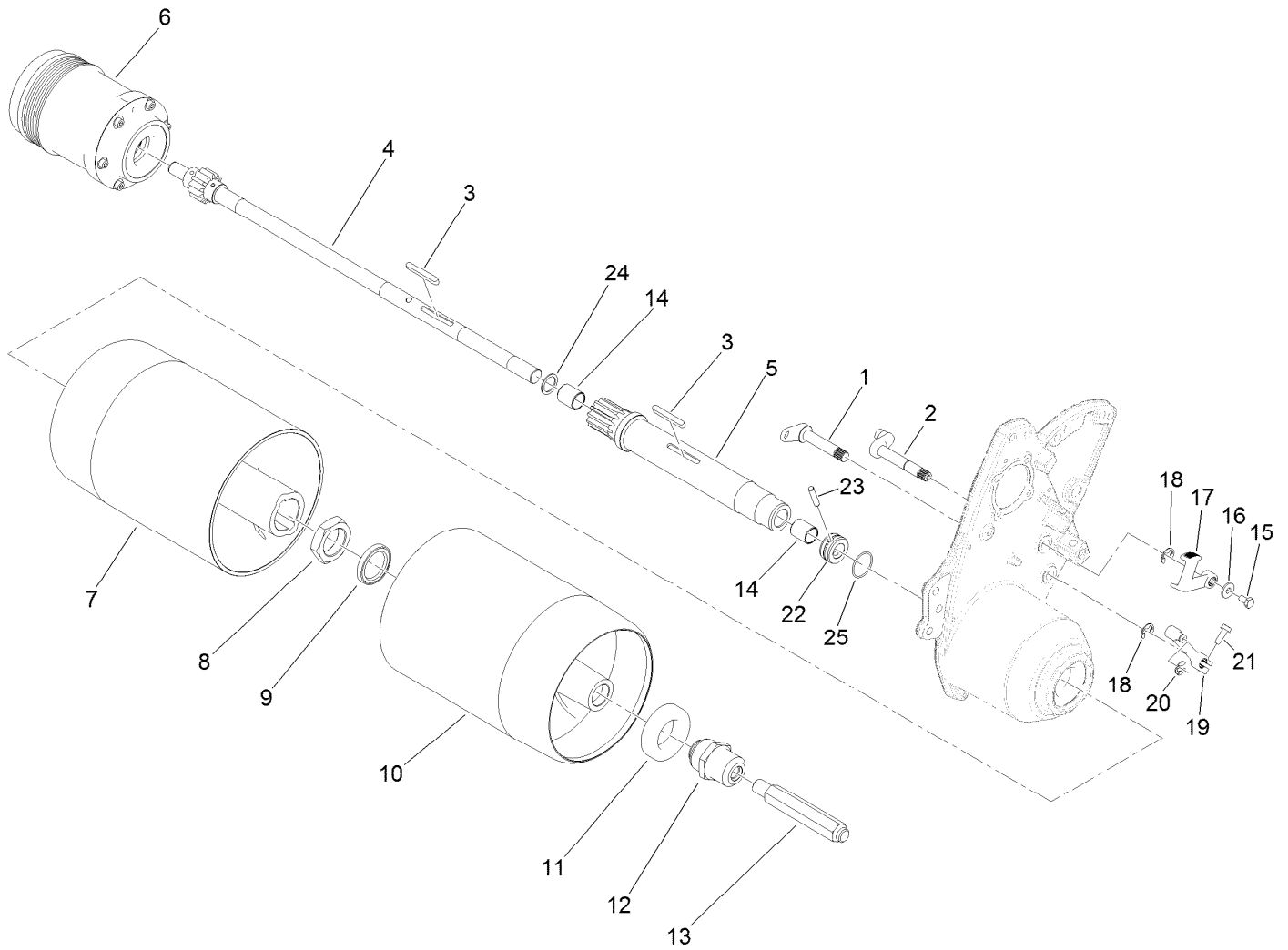
Ref.	Part Number	Qty.	Description
14	32151-12	1	Ring-Retaining
15	125-5239	4	Bushing-Flange
16	115-6847	1	Idler-Drive, Main
17	133-8757	1	Spring-Extension
18	115-7128	1	Lever-Spring
19	119-4041	1	Nut-HF
20	119-1138	8	Screw-HWH
21	133-2341	1	Coupling-Helical
22	131-3167	1	Shaft-Hex
23	125-3542	3	Pin-Spring
24	110-2390	1	Tube-Hex
25	119-4040	1	Nut-Flange, NI
27	120-9738	1	Screw-HH



## Motor Adapter Assembly

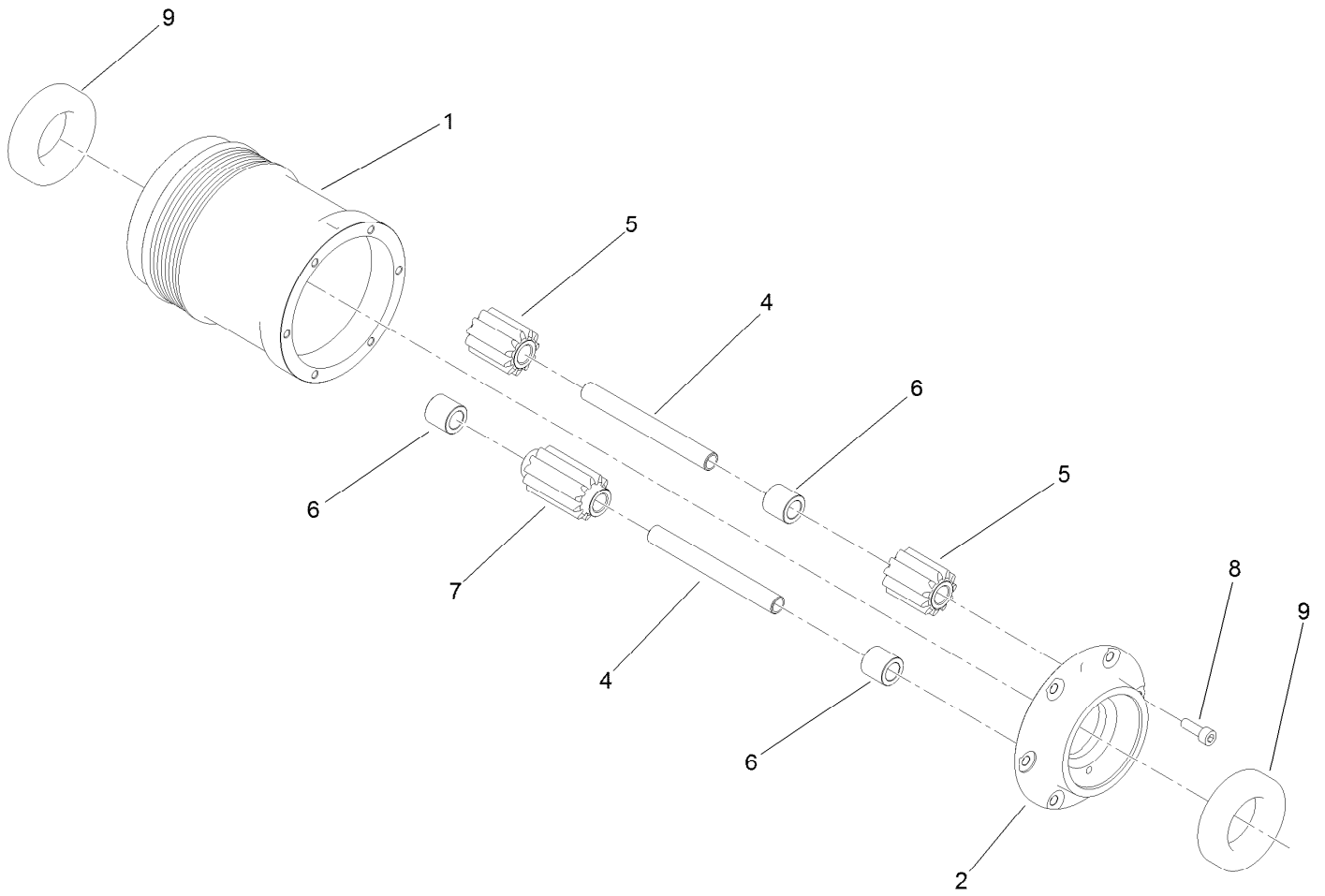
<i>Ref.</i>	<i>Part Number</i>	<i>Qty.</i>	<i>Description</i>
1	115-7166	1	Adapter-Motor
2	119-1138	4	Screw-HWH
3	115-7209	1	Washer-Wave
4	251-310	1	Bearing-Ball
5	105-5775	1	Ring-Retaining
6	94-4507	1	Coupler-Splined
7	115-7164	1	Spline-Drive
8	115-7163	1	Pulley-Driver
9	115-6869	1	Bearing-Ball, Stainless
10	115-6923	1	Shield-Bearing, Flocked
11	115-7143	1	Spring-Wave
12	115-7144	1	Washer-Flat
13	115-6755	1	Ring-Retaining
14	99-0195	1	Screw-Set, HSH





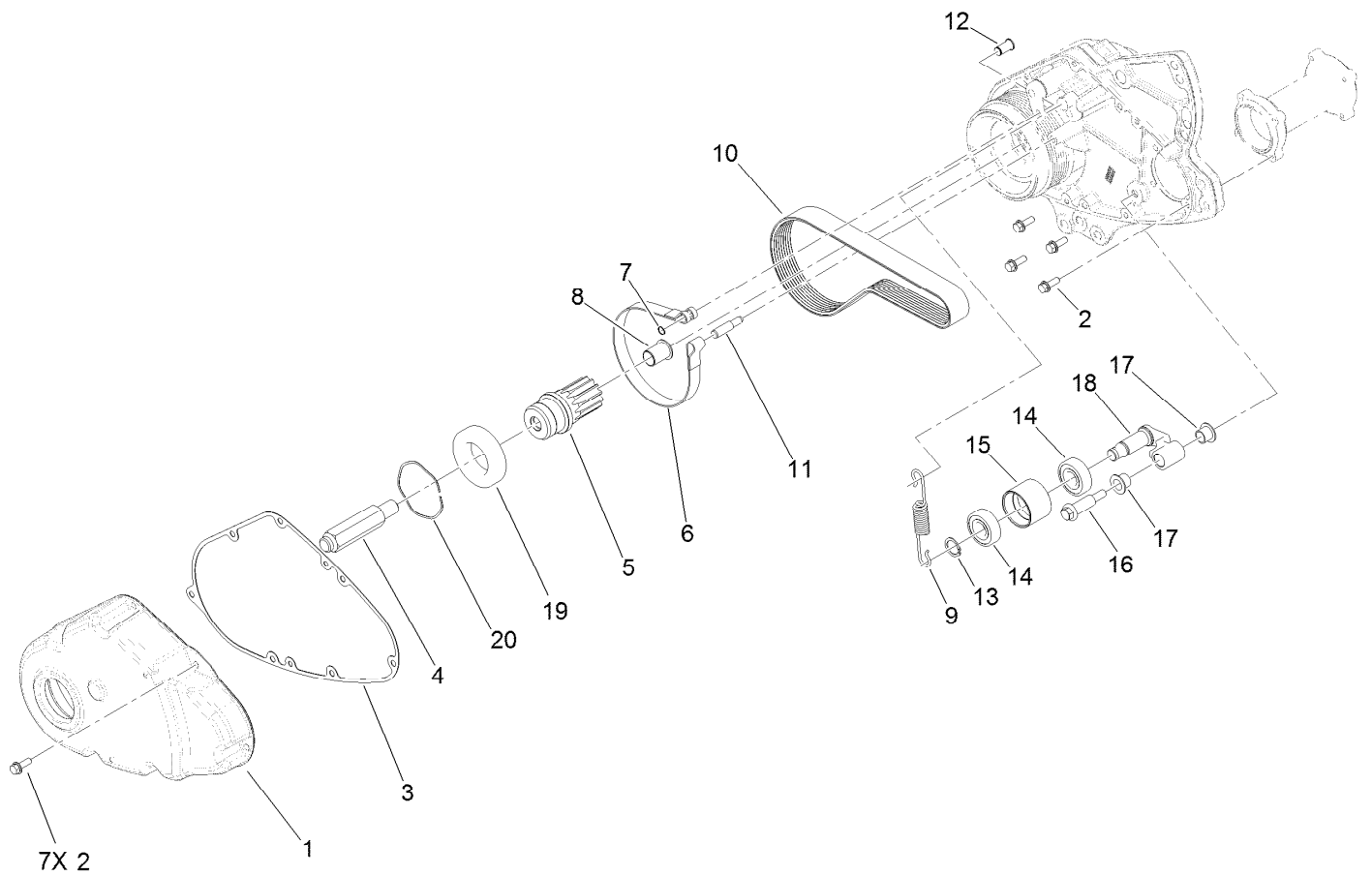
## Differential and Traction Drum Assembly

<i>Ref.</i>	<i>Part Number</i>	<i>Qty.</i>	<i>Description</i>	<i>Ref.</i>	<i>Part Number</i>	<i>Qty.</i>	<i>Description</i>
1	115-7119	1	Lever-Brake	14	115-7019	2	Bushing-Straight
2	115-7118	1	Lever-Traction	15	120-9688	1	Screw-HH
3	115-6769	2	Key-Sq	16	120-9691	1	Washer-Flat
4	115-7135	1	Shaft-Drum	17	115-7121	1	Lever-Traction, Engage
5	115-6760	1	Gear-Spur, Long	18	32120-47	2	Ring-Retaining, External
6	115-6711	1	Differential ASM	19	115-7120	1	Lever-Brake, Cable
7	133-8795	1	Drum-Traction, RH	20	32151-47	1	Ring-Retaining
8	115-7025	1	Nut-Jam	21	131-6150	1	Screw-HWHTF
9	253-134	1	Seal-Grease	22	115-7023	1	Collar-Lock
10	133-8797	1	Drum-Traction, LH	23	125-3529	1	Pin-Shear
11	115-6860	1	Bearing-Ball, Stainless	24	115-7210	1	Washer-Thrust
12	115-6784	1	Nut-Bearing	25	340-64	1	O-Ring
13	115-6785	1	Shaft-Hex, LH				



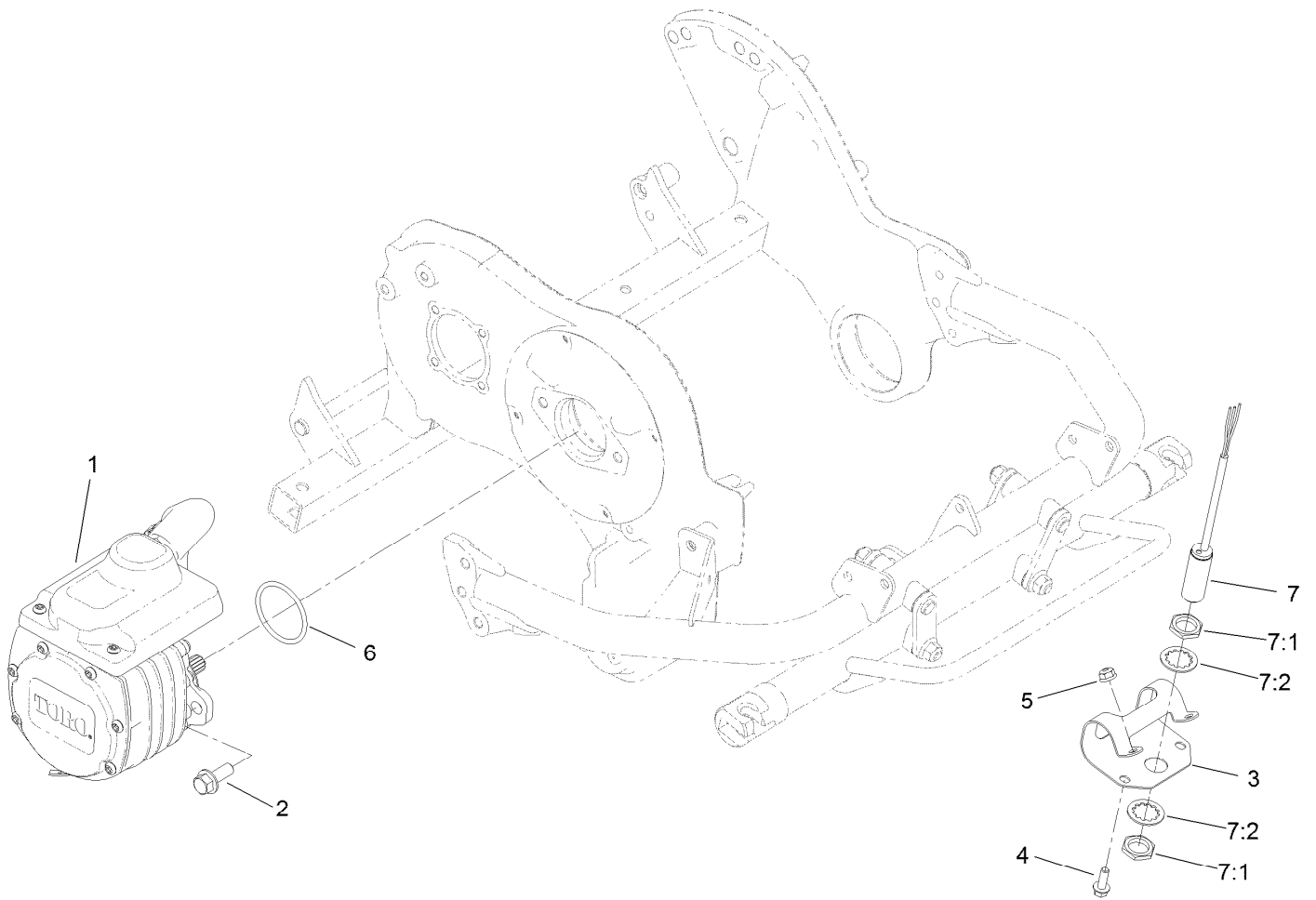
## Differential Assembly No. 115-6711

<i>Ref.</i>	<i>Part Number</i>	<i>Qty.</i>	<i>Description</i>
1	115-7017	1	Housing-Differential
2	115-6865	1	Cover-Differential
4	115-6866	6	Pin-Differential
5	115-6715	6	Gear-Spur, Dual
6	115-6862	9	Spacer-Differential, Natural
7	115-6716	3	Gear-Spur
8	3274-101	6	Screw-HSH
9	251-310	2	Bearing-Ball



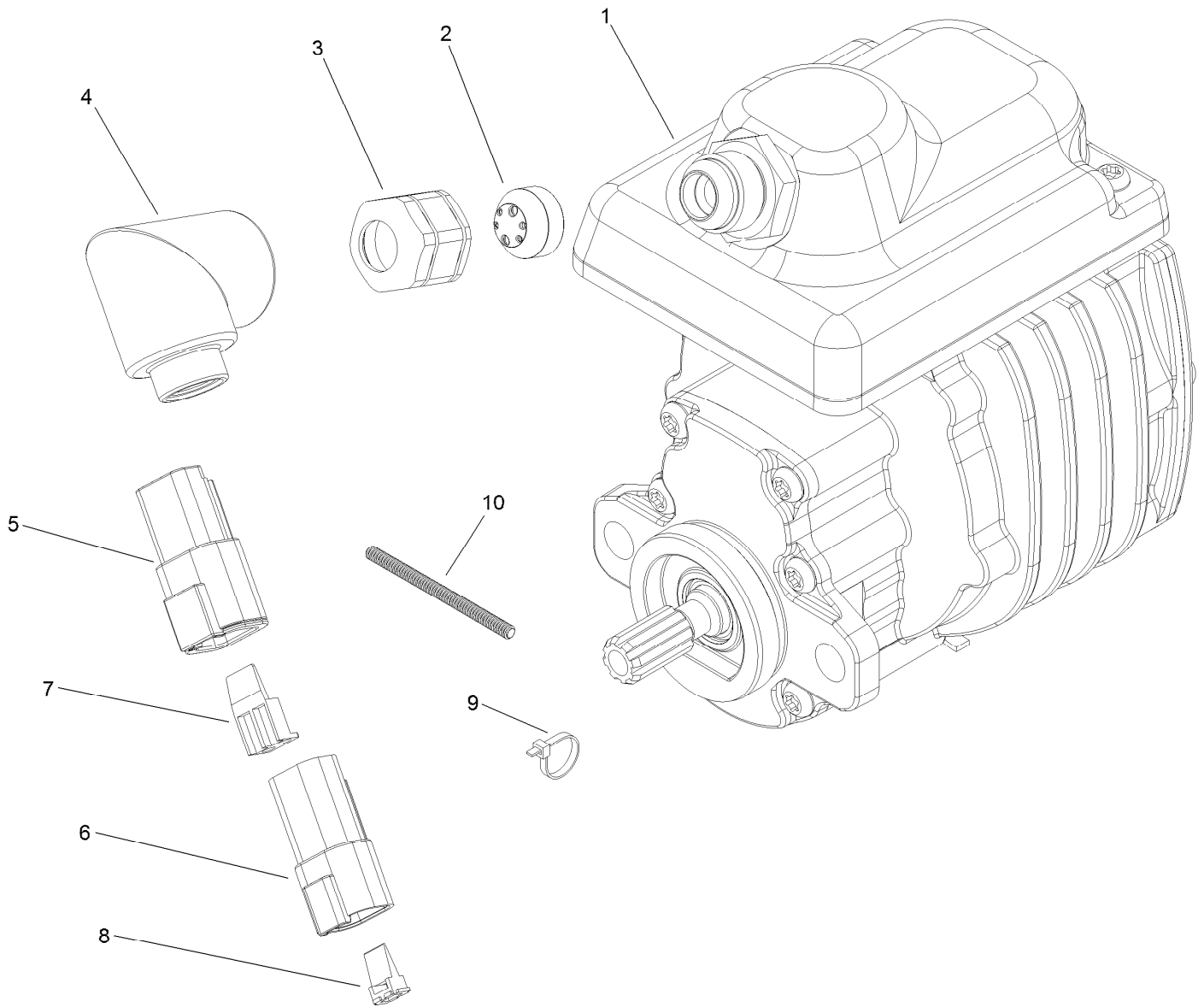
## Drum Drive Assembly

<i>Ref.</i>	<i>Part Number</i>	<i>Qty.</i>	<i>Description</i>	<i>Ref.</i>	<i>Part Number</i>	<i>Qty.</i>	<i>Description</i>
1	115-7156	1	Cover-Drive, Drum	11	115-7116	1	Pin-Mount, Brake
2	119-1138	11	Screw-HWH	12	120-9687	1	Pin-Clevis, Brake
3	115-7141	1	Gasket-Housing, Drum	13	32151-12	1	Ring-Retaining
4	115-6786	1	Shaft-Hex, RH	14	38-7820	2	Bearing-Ball
5	115-6717	1	Gear-Spur	15	115-7133	1	Pulley-Idler
6	115-6846	1	Brake-Band	16	127-1509	1	Screw-Shoulder
7	32120-46	1	Ring-Retaining	17	125-5239	2	Bushing-Flange
8	115-7211	1	Bushing-Flanged	18	115-7235	1	Idler-Drum
9	115-6841	1	Spring-Extension	19	115-6860	1	Bearing-Ball, Stainless
10	115-6744	1	Belt-Drive, Drum	20	115-7294	1	Washer-Wave



## Motor Installation Assembly

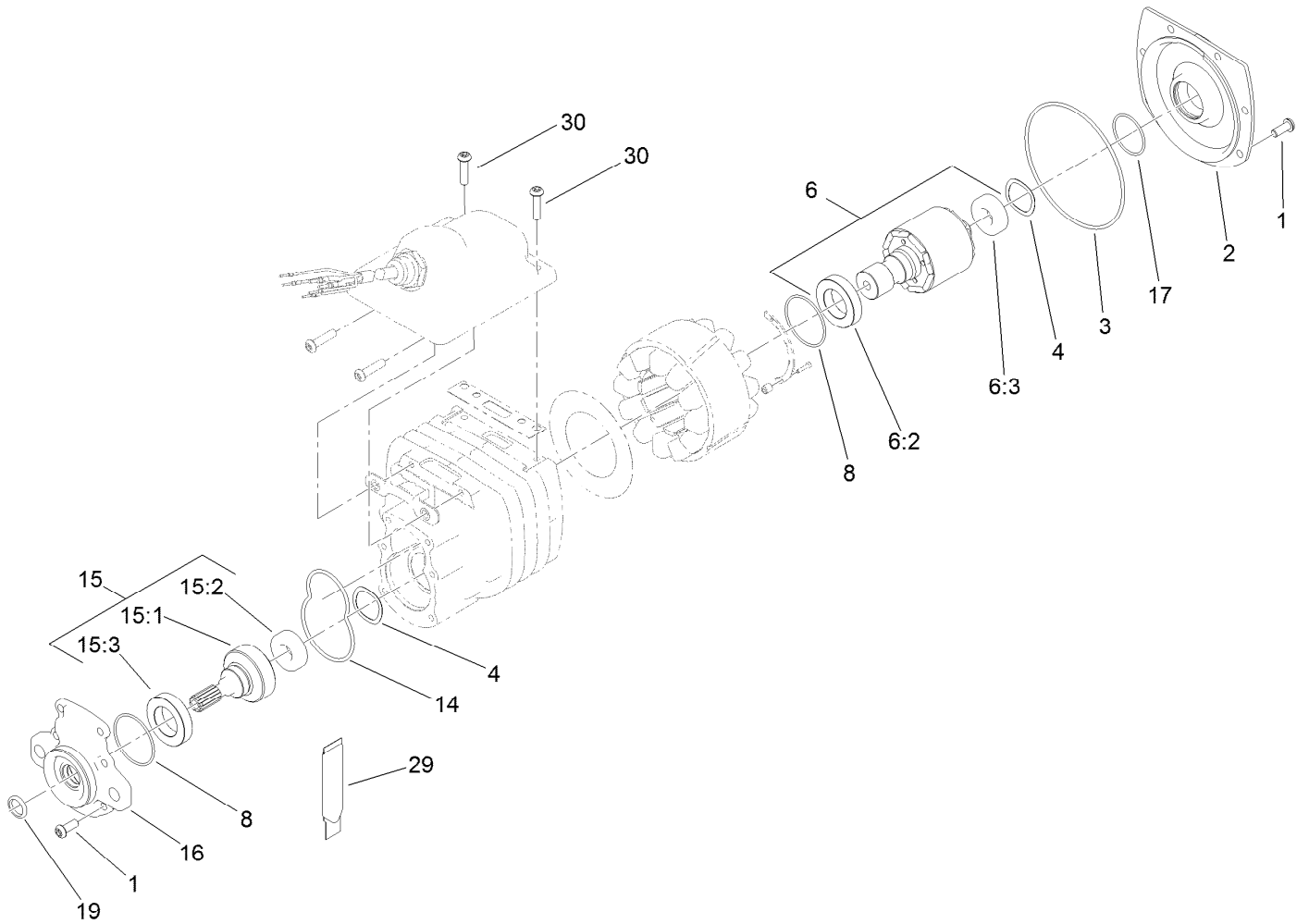
Ref.	Part Number	Qty.	Description
1	127-2460	1	Electric Motor ASM
2	110-5052	2	Screw-HHF
3	115-7081	1	Clamp-Switch
4	119-1138	2	Screw-HWH
5	119-4040	2	Nut-Flange, NI
6	115-3298	1	O-Ring
7	115-5300	1	Proximity Switch ASM
7:1	117-3207	2	Nut-Hex
7:2	117-3208	2	Washer-Lock, Internal Tooth



## Electric Motor Assembly No. 127-2460

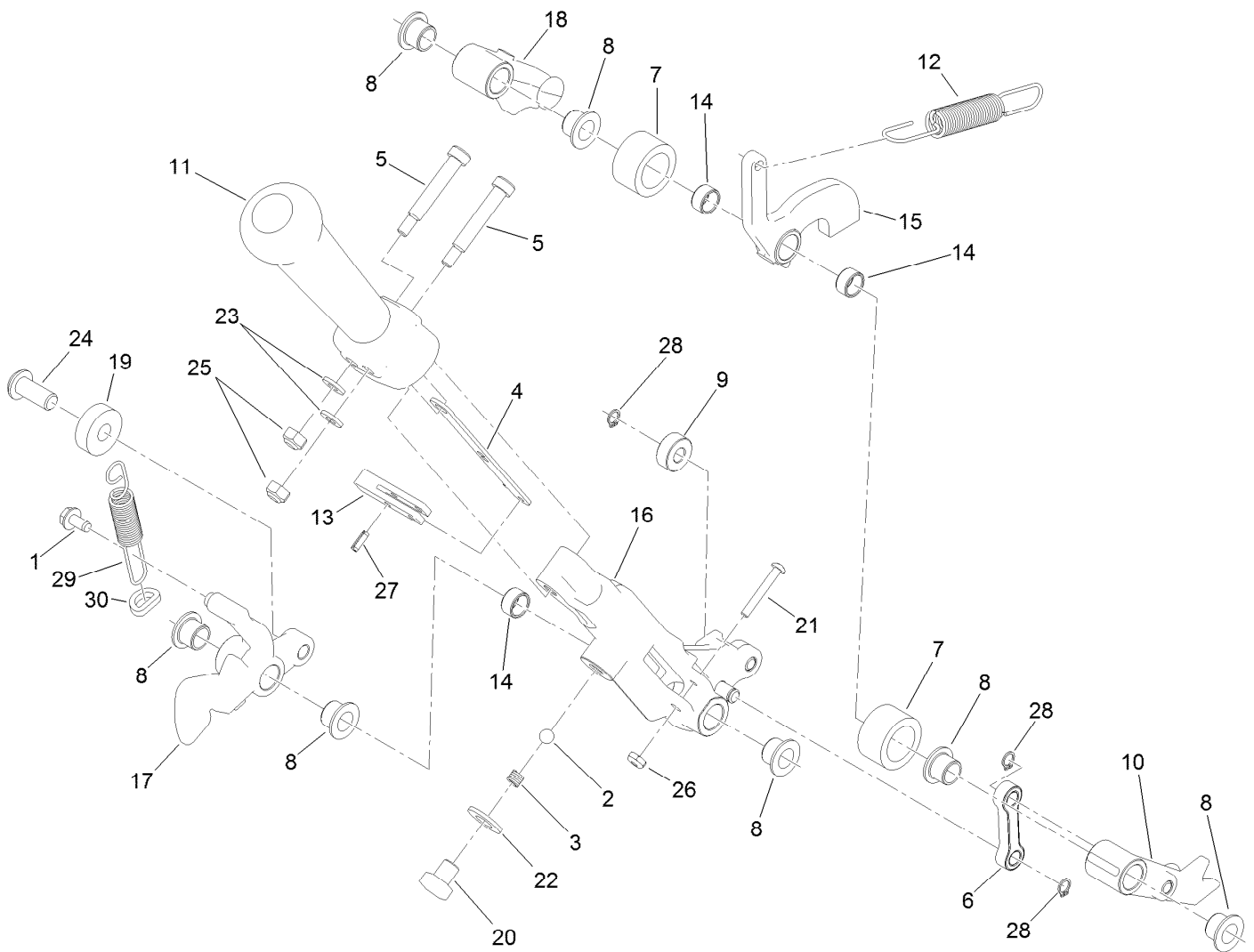
<i>Ref.</i>	<i>Part Number</i>	<i>Qty.</i>	<i>Description</i>
1		1	Motor-Electric ●
2	119-7480	1	Ferrule
3	119-7477	1	Nut-Fitting, Ferrule -8
4	119-7497	1	Backshell-90 Degree
5	32160-245	1	Connector
6	32160-315	1	Connector
7	32180-083	1	Wedge
8	32180-084	1	Wedge
9	3290-378	4	Tie-Cable
10	120-4538	1	Tubing-Convolute, Slit

● Not serviced separately



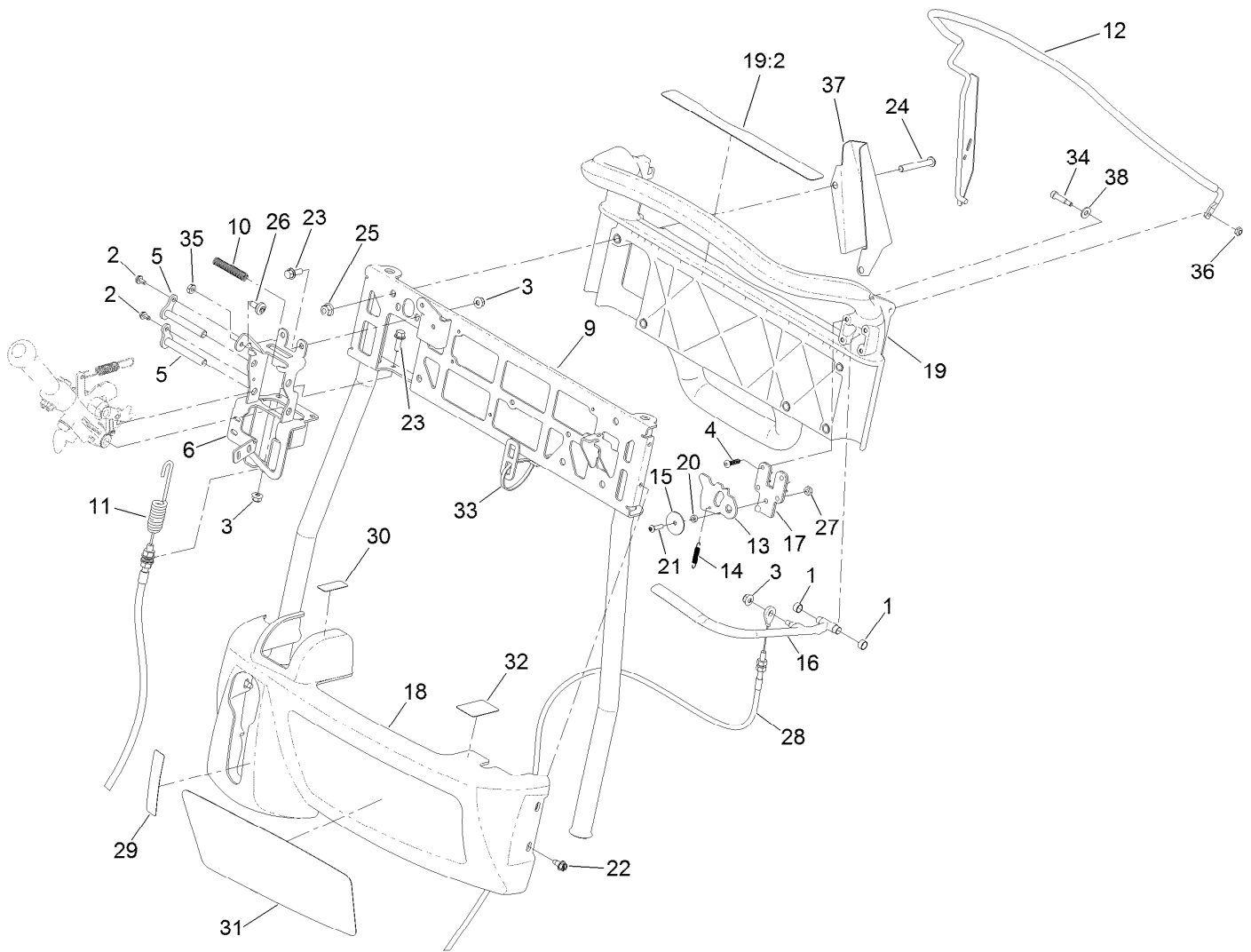
## Electric Motor Assembly

<i>Ref.</i>	<i>Part Number</i>	<i>Qty.</i>	<i>Description</i>	<i>Ref.</i>	<i>Part Number</i>	<i>Qty.</i>	<i>Description</i>
1	120-4559	12	Screw-BHCS	15	115-4782	1	Output Gear ASM
2	115-4779	1	Cover-Motor	15:1	112-5153	1	Gear-Output
3	112-9609	1	O-Ring	15:2	120-4557	1	Bearing
4	112-5163	2	Washer-Wave	15:3	112-5158	1	Bearing-Ball
6	119-7450	1	Rotor ASM	16	115-4777	1	Cover-Gearbox
6:2	112-5158	1	Bearing-Ball	17	119-1156	1	O-Ring
6:3	120-4557	1	Bearing	19	119-7451	1	Seal-Oil
8	112-9616	2	O-Ring	29	136-8595	1	Grease-Synthetic
14	112-9611	1	O-Ring	30	127-2424	2	Screw-BHCS



## Shift Lever Assembly

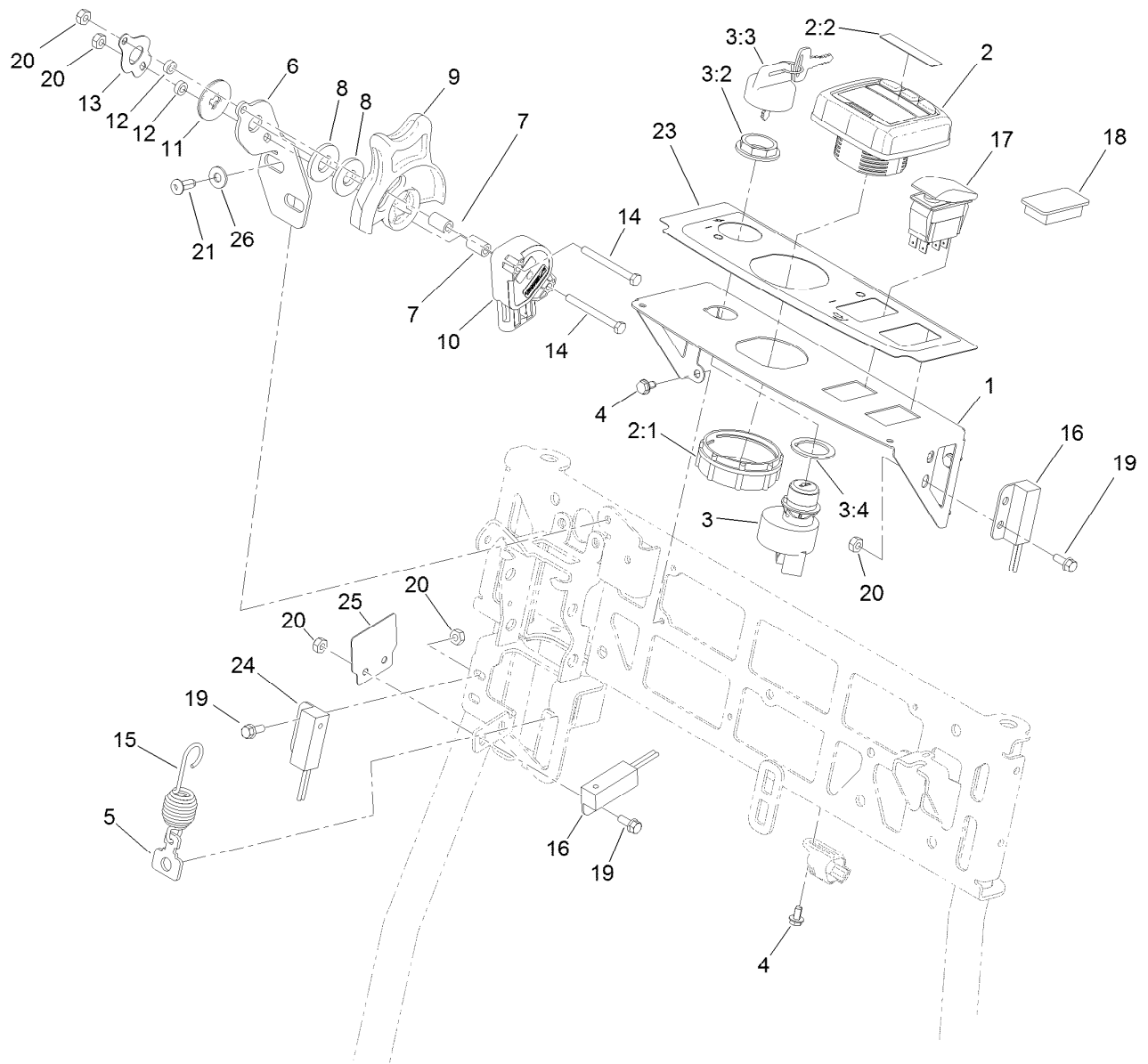
<i>Ref.</i>	<i>Part Number</i>	<i>Qty.</i>	<i>Description</i>	<i>Ref.</i>	<i>Part Number</i>	<i>Qty.</i>	<i>Description</i>
1	104-2065	1	Screw-HWH	16	137-2375	1	Lever-Transport
2	105-2442	1	Ball-Detent	17	120-9711	1	Lever-Shift, Reel
3	105-2443	1	Spring-Detent	18	120-9712	1	Lever-Cam, Reel
4	115-6992	1	Link-Arm, Shift	19	251-259	1	Bearing-Ball
5	115-6997	2	Screw-Shoulder	20	119-4067	1	Screw-HH
6	115-7066	1	Link-Shifter	21	120-9693	1	Screw-PPH
7	115-7071	2	Bumper-Sleeve, Rubber	22	120-9683	1	Washer-Plain
8	137-2374	7	Bushing-Flange	23	120-9680	2	Washer-Flat
9	115-7073	1	Spacer	24	133-2381	1	Screw-HSBH
10	133-8791	1	Lever-Spring	25	120-9681	2	Nut-Lock, NI
11	115-7098	1	Handle-Shift	26	120-9684	1	Nut-Lock
12	131-3072	1	Spring-Extention	27	32121-68	1	Pin-Roll
13	120-9703	1	Pin-Latch	28	613328	3	Ring-Retaining
14	120-9708	3	Bushing	29	120-9704	1	Spring-Extension
15	120-9746	1	Latch-Shifter	30	120-9729	1	Collar-Spring



## Handle Assembly

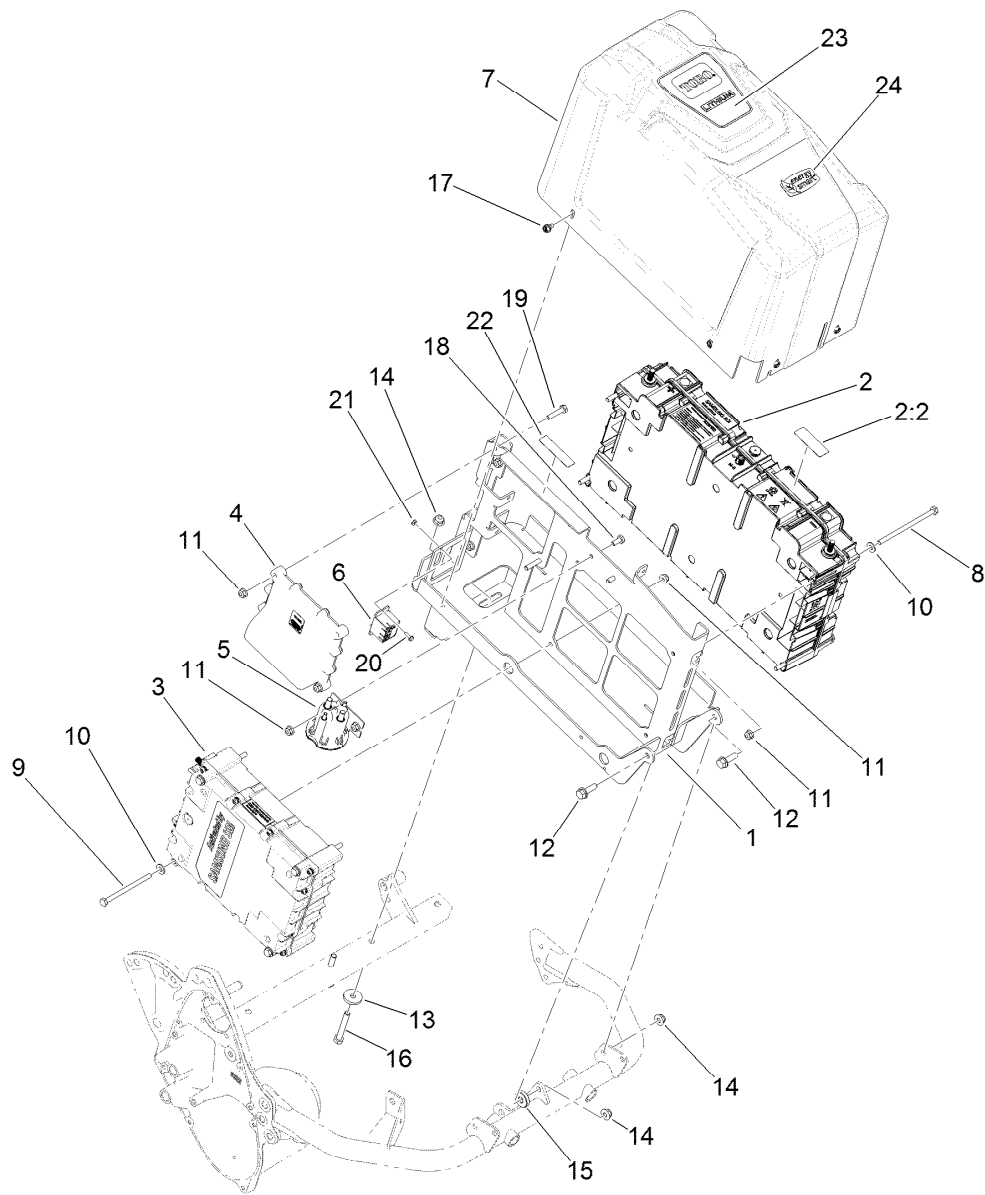
Ref.	Part Number	Qty.	Description	Ref.	Part Number	Qty.	Description
1	99-6247	2	Bushing-Bronze	21	119-1224	1	Screw-HSBH
2	104-2065	2	Screw-HWH	22	120-9551	4	Screw-HWH
3	119-4040	5	Nut-Flange, NI	23	120-9678	4	Screw-HHF
4	120-9676	4	Screw-Plastite	24	115-7260	5	Screw-HSBH
5	137-2364	2	Pin-Lever	25	119-4041	5	Nut-HF
6	133-8815-03	1	Bracket-Shifter	26	120-7950	1	Screw-Torx
9	132-3792-03	1	Tube-Handle	27	120-9681	1	Nut-Lock, NI
10	115-7299	1	Spring-Extension	28	115-7171	1	Cable-Brake
11	115-7172	1	Cable-Clutch, Reel	29	115-7271	1	Decal-Shift, Gear
12	130-9372-03	1	Bail-Lift	30	131-3111	1	Decal-Throttle
13	115-7229	1	Latch-Brake	31	132-7078	1	Decal
14	115-7230	1	Spring-Extension	32	120-9598	1	Decal-Brake
15	115-7231	1	Washer	33	3290-378	1	Tie-Cable
16	115-7232	1	Lever-Brake	34	130-9374	1	Screw-Shoulder
17	115-7238	1	Keeper-Lever, Brake	35	120-9695	1	Nut-Jam
18	131-3097	1	Cover-Console	36	3296-12	1	Nut-Lock, NI
19	120-9726	1	Upper Handle ASM	37	130-9373-03	1	Cover-Lever, Bail
19:2	133-2335	1	Decal-Warning	38	3256-22	1	Washer-Flat
20	115-7291	1	Spacer-Latch, Brake				





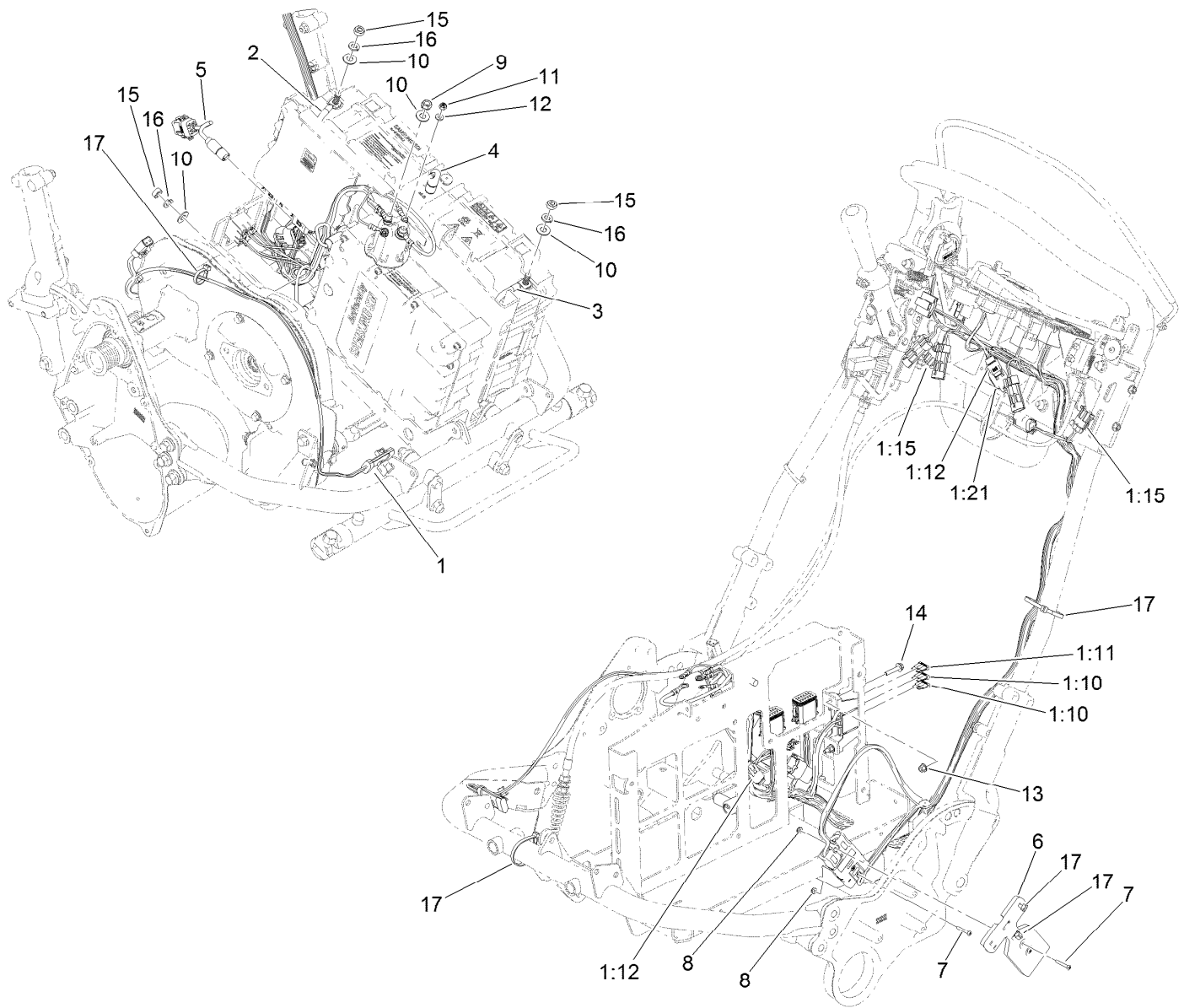
## Throttle and Console Assembly

Ref.	Part Number	Qty.	Description	Ref.	Part Number	Qty.	Description
1	115-7241-03	1	Panel-Switches	12	115-7291	2	Spacer-Latch, Brake
2	120-6310	1	LCD Display ASM	13	115-6944	1	Spring-Clutch
2:1	120-4630	1	Nut-Display	14	120-9677	2	Screw-HH
2:2	120-6311	1	Decal-Display	15	137-2376	1	Spring-Extension
3	120-6319	1	Ignition Switch ASM	16	106-9288	2	Sensor-Proximity, Ferrous
3:2	108-8660	1	Nut-Mounting	17	107-0255	1	Switch
3:3	106-5270	1	Ignition Key Set	18	99-7420	1	Plug-Hole
3:4	108-8659	1	Washer-Backup	19	120-9748	6	Screw-HWH
4	104-2065	5	Screw-HWH	20	120-9681	8	Nut-Lock, NI
5	115-7052	1	Tab-Spring	21	63-8590	2	Screw
6	131-3089-03	1	Bracket-Throttle	23	121-4685	1	Decal-Console
7	115-6941	2	Spacer	24	120-6385	1	Sensor-Ferrous Proximity, No
8	115-6942	2	Seal	25	130-6755	1	Plate-Switch
9	131-3073	1	Wheel-Throttle	26	3256-22	2	Washer-Flat
10	119-0737	1	Sensor-Position				
11	115-6943	1	Disc-Clutch				



## Battery Assembly

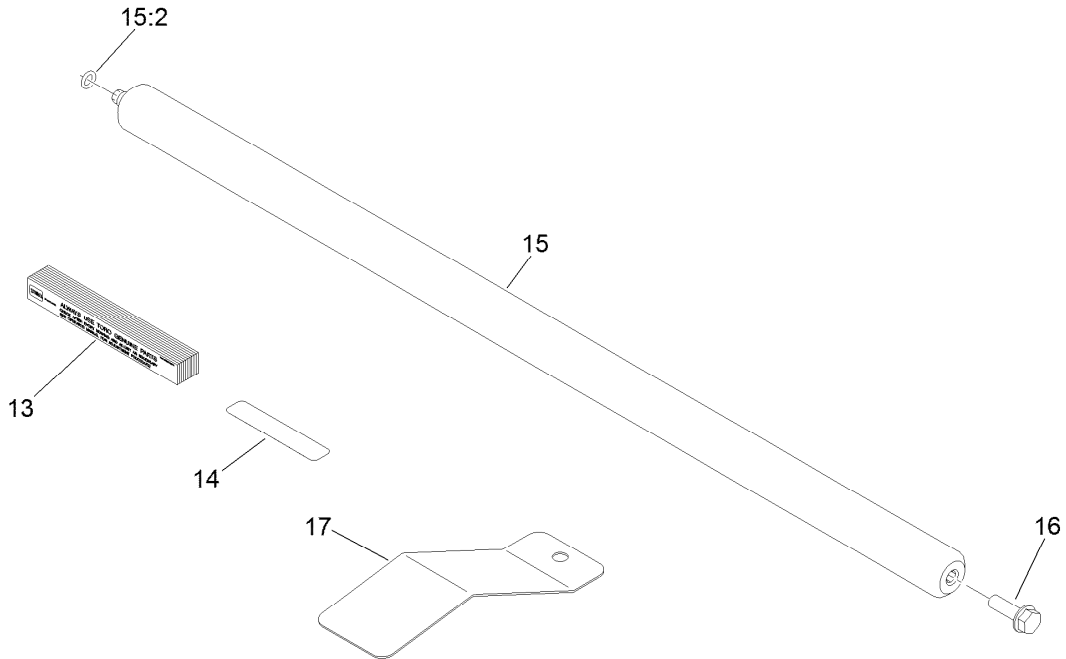
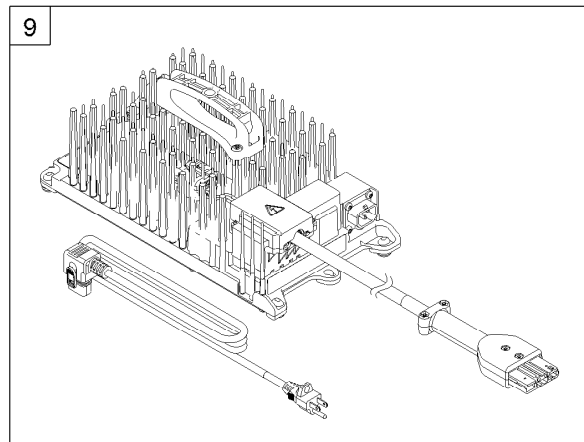
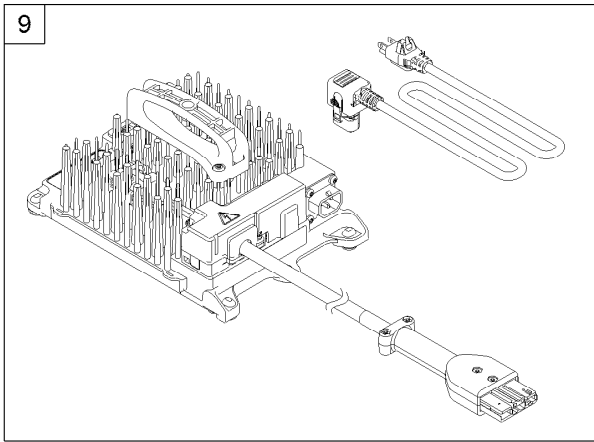
<i>Ref.</i>	<i>Part Number</i>	<i>Qty.</i>	<i>Description</i>	<i>Ref.</i>	<i>Part Number</i>	<i>Qty.</i>	<i>Description</i>
1	137-9675-01	1	Bracket-Mount	13	115-7292	2	Washer-Hardened
2	04070	1	Battery	14	119-4041	4	Nut-HF
2:2	137-9712	1	Decal-Safety	15	138-2126	1	Spacer
3	137-9651	1	Controller	16	120-9738	2	Screw-HH
4	117-4730	1	Controller	17	137-9692	8	Screw-HWH
5	122-1274	1	Contactora-DC, 48V	18	137-3041	2	Screw-HH
6	131-8586	1	Relay-Coil, 48V	19	137-3049	2	Screw-HH
7	137-9686	1	Cover-Battery	20	32144-18	2	Screw-HWH
8	321-38	4	Screw-HH	21	120-9684	2	Nut-Lock
9	321-28	4	Screw-HH	22	137-9693	1	Decal-Warning
10	120-9679	8	Washer-Flat	23	137-9698	1	Decal-Lithium
11	119-4040	12	Nut-Flange, NI	24	119-7580	1	Decal-Smart, Energy
12	115-5142	2	Screw-HHF				



## Wire Harness Assembly

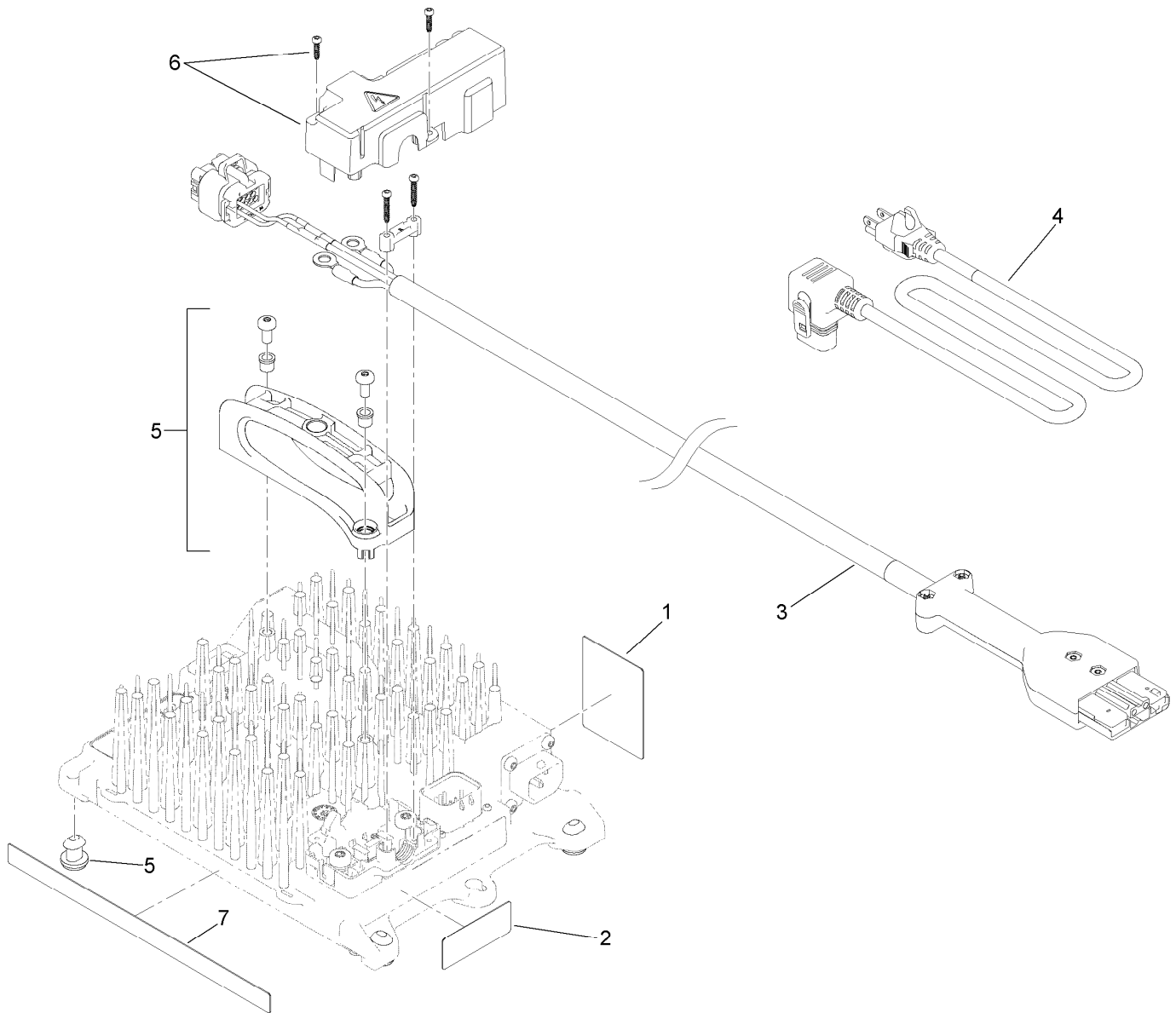
Ref.	Part Number	Qty.	Description	Ref.	Part Number	Qty.	Description
1	122-1242	1	Harness-Wire, Main	6	120-4646	1	Handle-Connector
1:10	117-4720	2	Fuse-Blade, 3A	7	120-9693	4	Screw-PPH
1:11	117-4728	1	Fuse-Blade, 30A	8	120-9684	4	Nut-Lock
1:12	32180-282	2	Resistor-120 Ohm	9	121-4698	2	Nut-Keps
1:13	32180-089	1	Cap-Plug, 3 Way ●	10	107-0279	8	Washer
1:15	32180-056	2	Cap	11	364-0371	2	Nut-Hex
1:21	32180-156	1	Cap-Plug, 6 Way	12	120-9680	2	Washer-Flat
2	122-1332	1	Positive Battery Cable ASM	13	120-4580	2	Nut-HF
3	122-1333	1	Negative Battery Cable ASM	14	121-9884	2	Screw-Hfh
4	122-1334	1	Harness-Wire, Interface (M/S)	15	137-8088	6	Nut-Hex
5	122-1335	1	Harness-Wire, Interface(System)	16	107-0280	6	Washer-Lock
				17	3290-378	5	Tie-Cable

● Not illustrated



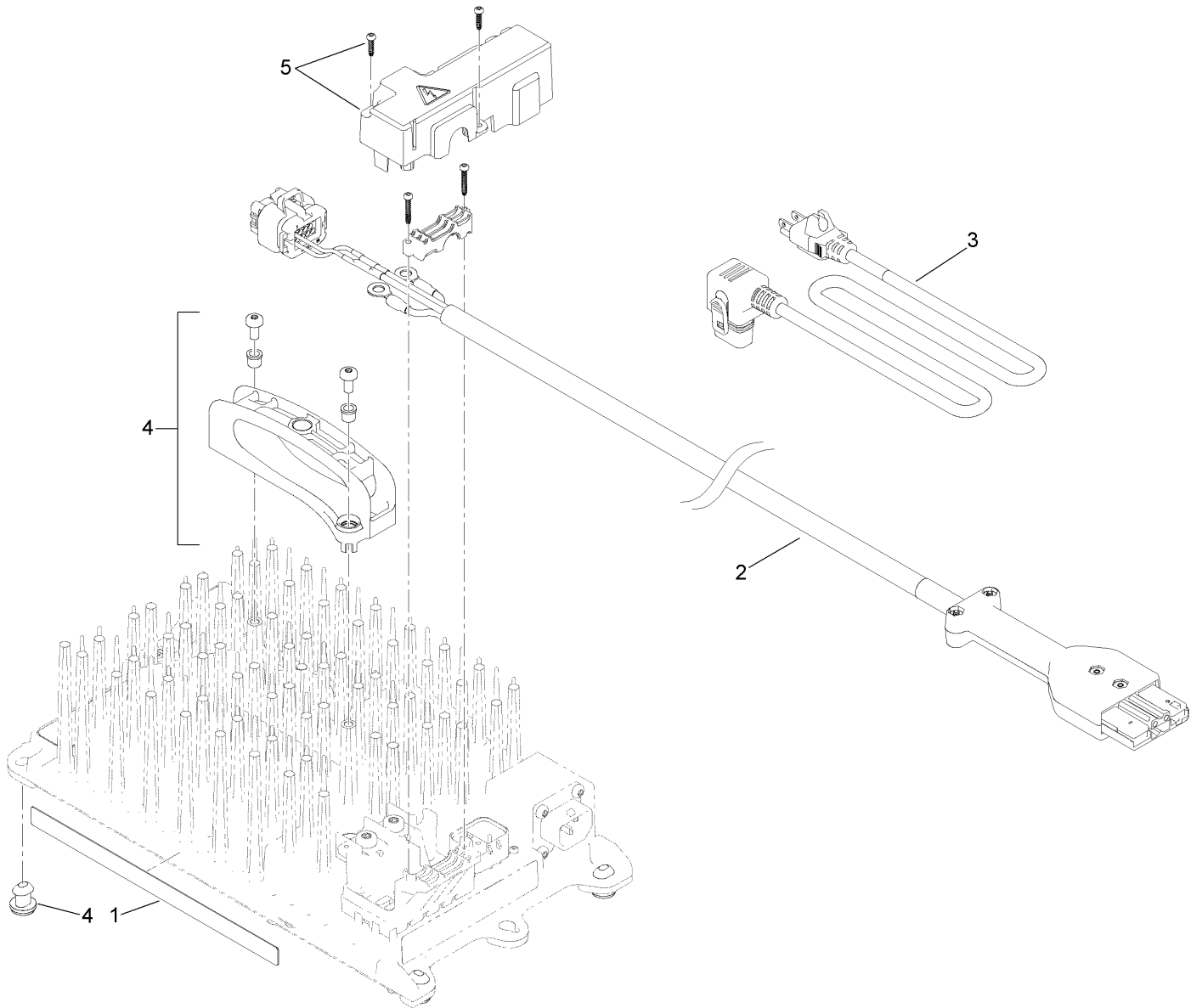
## Charger and Miscellaneous Parts Assembly

Ref.	Part Number	Qty.	Description
9	04065	1	Li+ Battery Charger (650W)
9	04090	1	Li+ Battery Charger (900W)
13	125-5610	1	Paper-Reel, Toro (10 Pack)
14	125-5611	1	Shim-Reel, Toro (0.002 Inch)
15	127-1575	1	Rear Weight ASM
15:2	360-0497	1	O-Ring
16	115-5142	1	Screw-HHF
17	120-9675	1	Spring-Leaf



## 650W Lithium Battery Charger Assembly

Ref.	Part Number	Qty.	Description
1	137-9701	1	Decal-Warning
2	137-9705	1	Decal-Charger
3	137-7982	1	Cord-DC, W/Can Bus
4	137-7983	1	Cord-AC, 120V
5	137-7984	1	Handle And Feet Kit
6	137-7985	1	Cover-Plastic, DC Power
7	137-9713	1	Decal-Charger



## 900W Lithium Battery Charger Assembly

Ref.	Part Number	Qty.	Description
1	137-9713	1	Decal-Charger
2	137-7982	1	Cord-DC, W/Can Bus
3	137-7983	1	Cord-AC, 120V
4	137-7984	1	Handle And Feet Kit
5	137-7985	1	Cover-Plastic, DC Power

# Attachments and Accessories

## For 04049 Greensmaster eFlex 2120 Traction Unit

<b>Product Name</b>	<b>Model/Part</b>
LED Light Kit.....	04064
Battery .....	04070
Wheel Kit .....	04123
Trans Pro 80 Tow-Behind Trailer.....	04238
Trans Pro 100 Tow-Behind Trailer.....	04240
Flat Ramp .....	04245
Rail Ramp Kit (Update).....	04247
Narrow Wiehle Roller (Qty 1) .....	04255
Wide Wiehle Roller (Qty 1) .....	04256
Front Full Smooth Roller (Qty 1) .....	04257
Extended Narrow Wiehle Roller (Qty 1) .....	04258
Out-Front Brush Kit.....	04266
Paspalum Wiehle Roller (Qty 1).....	04267
21in Soft Grooming Brush.....	04270
21in Stiff Grooming Brush.....	04271
21in Spring Steel Groomer Reel .....	04283
21in Carbide Groomer Reel .....	04284
21-Inch 11-Blade Cutting Unit .....	04290
21-inch 14-Blade Cutting Unit.....	04292
Turf Evaluator .....	04399
Steel Roller (Qty 1) .....	04628
Universal Groomer Drive Kit .....	04648
Bedbar .....	106-2648-01
Roller Seal Replacement (Qty 1) .....	107-1594
Steel Roller Asm .....	107-3509
Wide Wiehle Steel Roller Asm .....	107-3514
Premium ATF (Drum).....	108-1185
Premium ATF (Pail) .....	108-1186
Bedknife-Tournament, Extended .....	108-4302
Bedknife-Microcut, Extended.....	108-4303
Blade-Groomer, Helix .....	110-2333
Bedknife-EDGEMAX, Microcut.....	115-1880
Bedknife-EDGEMAX, Tournament Cut.....	115-1881
Wireless Hourmeter.....	115-4754
Rear Full Roller Kit (Aluminum).....	115-7356
Narrow Wiehle Roller Kit.....	115-7360
Roller Extension Kit .....	115-7361
Front Brush for Narrow Wiehle Roller (Qty 1).....	115-7377
Front Brush for Wide Wiehle Roller (Qty 1) .....	115-7378
Front Brush for Full Roller (Qty 1) .....	115-7379
Front Comb for Narrow Wiehle Roller (Qty 1).....	115-7380
Front Comb for Wide Wiehle Roller (Qty 1).....	115-7381
Front Comb for Full Roller (Qty 1) .....	115-7382
Rear Roller Scraper Kit with Roller.....	115-7383
Wide Wiehle Roller Kit .....	115-7386
Front Full Smooth Roller Kit.....	115-7388

## Attachments and Accessories (continued)

Steel Rear Full Roller (Qty 1) .....	120-9595
High Height-of-Cut Arms (Qty 1) .....	120-9600
Rear Roller Adjustment (Qty 1) .....	120-9602
Rear Roller Scraper (Qty 1) .....	121-2260
MVP Kit-Cutting Unit Re-Build .....	121-2637
Extended Wiehle Roller Kit .....	121-4675
MVP Kit, Forward Rotating Groomer Re-Build .....	121-9517
Blade-Groomer, Thin (Carbide) .....	121-9531
Paspalum Wiehle Roller .....	121-9535
Front Scraper for Narrow Wiehle Roller (Qty 1).....	125-3503
Front Scraper for Wide Wiehle Roller (Qty 1) .....	125-3504
Front Scraper for Full Roller (Qty 1) .....	125-3505
Toro Reel Paper (10 Pack).....	125-5610
Toro Reel Shim (0.002in) .....	125-5611
21in Soft Grooming Brush Kit.....	127-1547
21in Stiff Grooming Brush Kit.....	127-1548
Groomer Quick Up Kit.....	127-6119
Angle Indicator.....	131-6828
Angle Indicator Mount.....	131-6829
Battery Shipping Kit .....	137-9690
Rail Ramp Kit TP100 .....	138-5011
Cast Iron Wiehle Roller (Qty 1) .....	71-1550
Bedknife-Microcut.....	93-4262
Bedknife-Tournament Cut.....	93-4263
Bedknife-Low Cut .....	93-4264
Height-of-Cut Bar.....	94-9010
Bedbar-Aggressive .....	99-3794-03



**Notes:**

**Notes:**

**Notes:**



**Count on it.**