



**Count on it.**

**Parts Catalog**

**Power Max<sup>®</sup> Heavy Duty 1030  
OHAE  
Snowthrower**

**Model No. 38830—Serial No. 40000000 and Up**



# Ordering Replacement Parts

To order replacement parts, please supply the part number, the quantity, and the description of each part desired.

## Understanding Reference Numbers

Each identified part in an illustration has a reference number. The reference number for a part also appears in the parts list, along with other information about the part.

This catalog uses two special reference number formats, one to indicate parts in a service assembly and another to indicate the quantity of a given part in an illustration.

## Service Assembly Reference Numbers

Parts in service assemblies have reference numbers in the form a:b. The a represents the reference number of the entire service assembly and the b represents a sequential number unique to each part within the service assembly.

For example, a wheel assembly might be identified by reference number 6, the tire by 6:1, the valve by 6:2, and the wheel by 6:3. When you order the assembly identified by reference number 6, you receive all parts identified by reference numbers 6:1, 6:2, and 6:3. However, you may also order any part individually. Reference numbers of this type appear in illustration and in parts lists.

## Reference Numbers Indicating Quantity

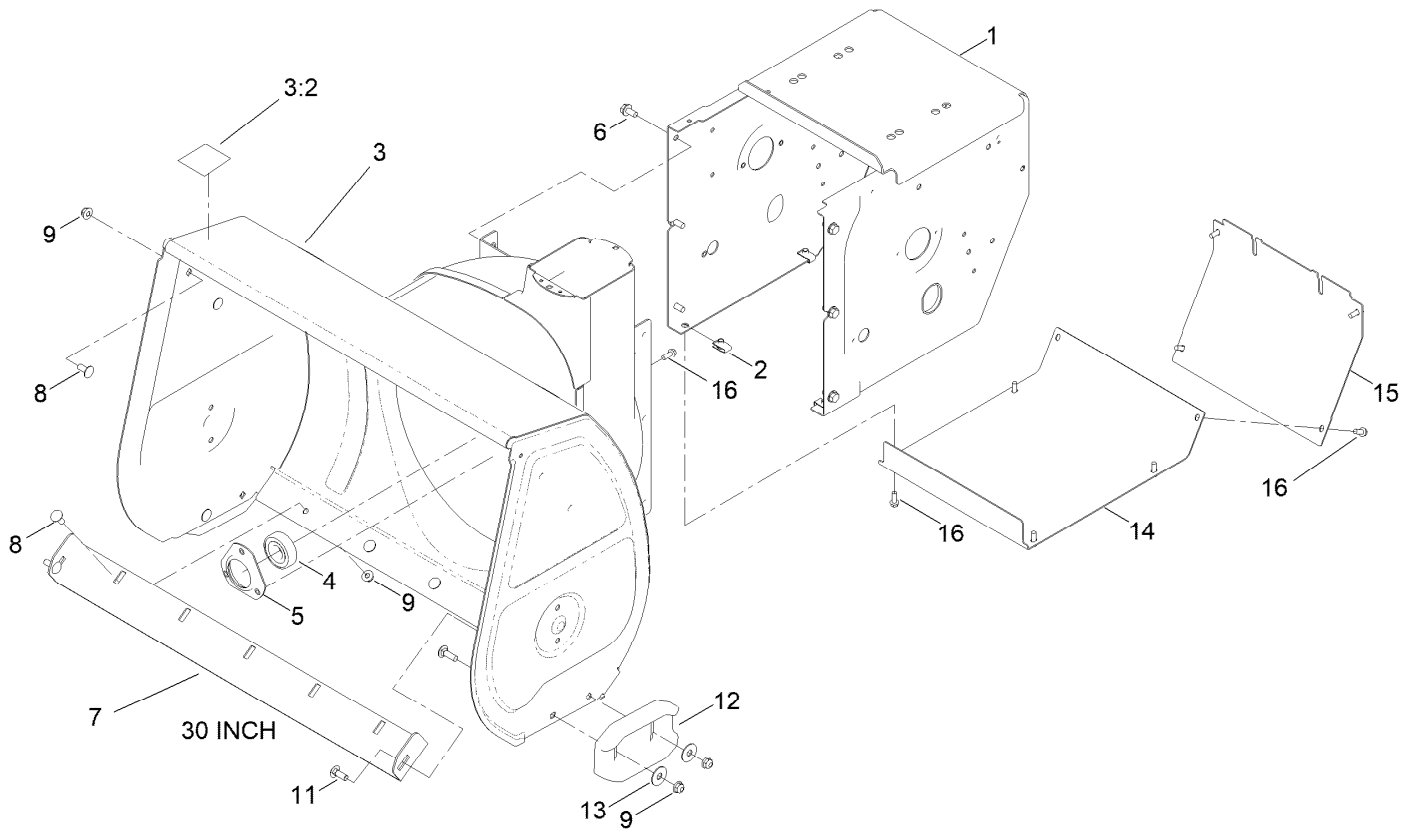
In an illustration, if a reference number indicates more than one part, the reference number has the form nX y. The n represents the quantity of the part, the X is the multiplication symbol, and the y represents the reference number.

For example, in an illustration, the reference number 2X 37 means that two of the parts identified by reference number 37 are indicated.

# Contents

|                                   |    |
|-----------------------------------|----|
| Housing Assembly .....            | 4  |
| Auger Drive Assembly .....        | 6  |
| Gear Case Assembly .....          | 8  |
| Engine Assembly .....             | 10 |
| Engine Assembly No. 1 .....       | 12 |
| Engine Assembly No. 2 .....       | 14 |
| Engine Assembly No. 3 .....       | 16 |
| Engine Decal Assembly .....       | 18 |
| Chute Assembly .....              | 20 |
| Chute Control Assembly .....      | 22 |
| Handle Assembly .....             | 24 |
| Traction Drive Assembly .....     | 26 |
| Autoturn Drive Assembly .....     | 28 |
| Attachments and Accessories ..... | 30 |

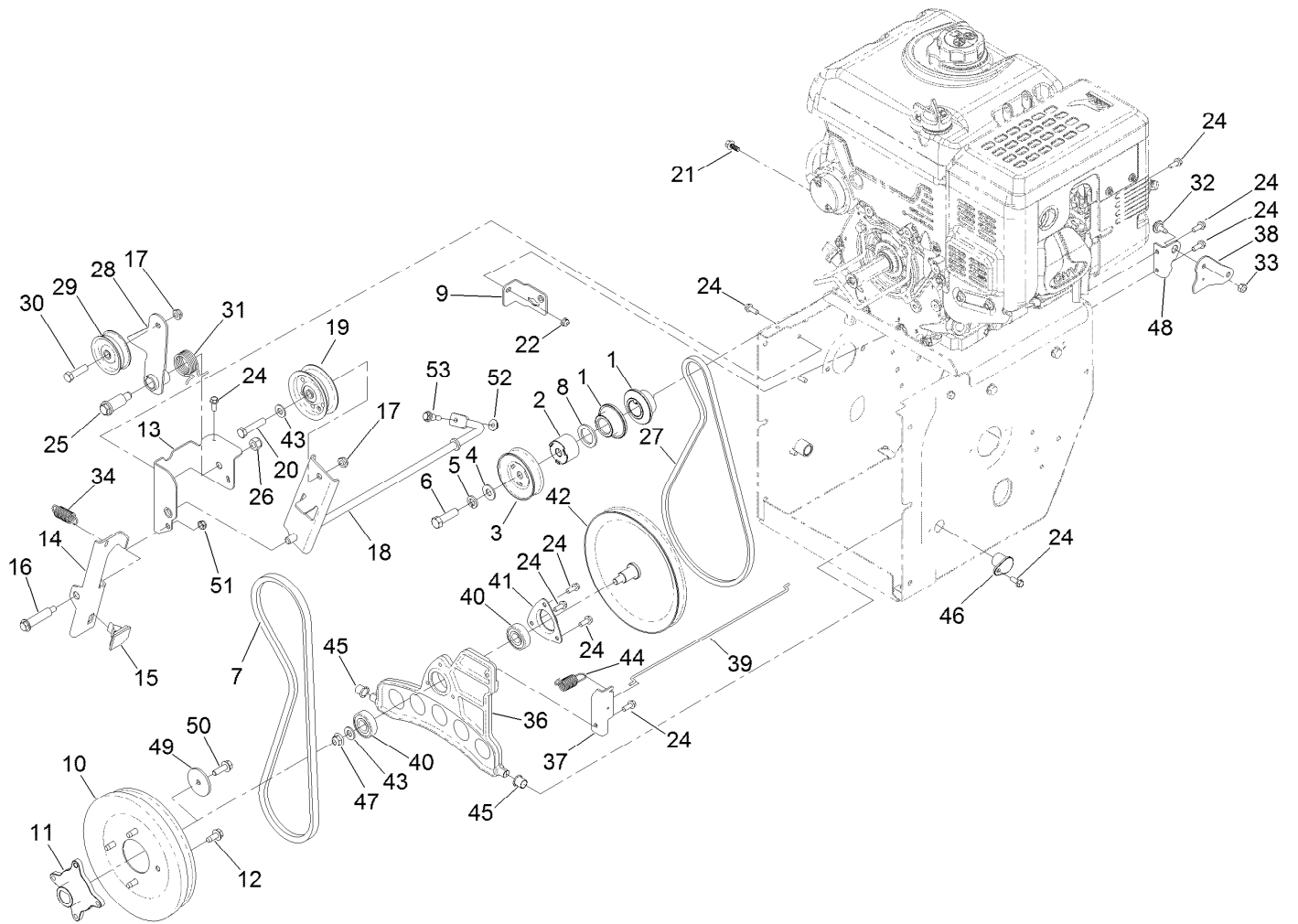
# Housing Assembly



## Housing Assembly (continued)

| <i>Ref.</i> | <i>Part Number</i> | <i>Qty.</i> | <i>Description</i>                 | <i>Ref.</i> | <i>Part Number</i> | <i>Qty.</i> | <i>Description</i> |
|-------------|--------------------|-------------|------------------------------------|-------------|--------------------|-------------|--------------------|
| 1           | 136-6639-01        | 1           | Frame-Traction                     | 8           | 137-3061           | 7           | Bolt-CARR          |
| 2           | 107069             | 8           | Clip                               | 9           | 119-4041           | 11          | Nut-HF             |
| 3           | 144-0349           | 1           | Auger Housing ASM<br>(W/Decal 30") | 11          | 137-3059           | 4           | Bolt-CARR          |
| 3:2         | 121-6817           | 1           | Decal-Danger, Auger                | 12          | 106-4588-01        | 2           | Skid               |
| 4           | 136-6571           | 1           | Bearing-Ball                       | 13          | 119-4150           | 4           | Washer-Flat        |
| 5           | 136-6573           | 1           | Retainer-Bearing                   | 14          | 136-6650-01        | 1           | Cover-Bottom       |
| 6           | 32144-14           | 6           | Screw-HWHTF                        | 15          | 136-6651-01        | 1           | Cover-Rear         |
| 7           | 144-1312-01        | 1           | Scraper, 30"                       | 16          | 32144-85           | 11          | Screw-HWH          |

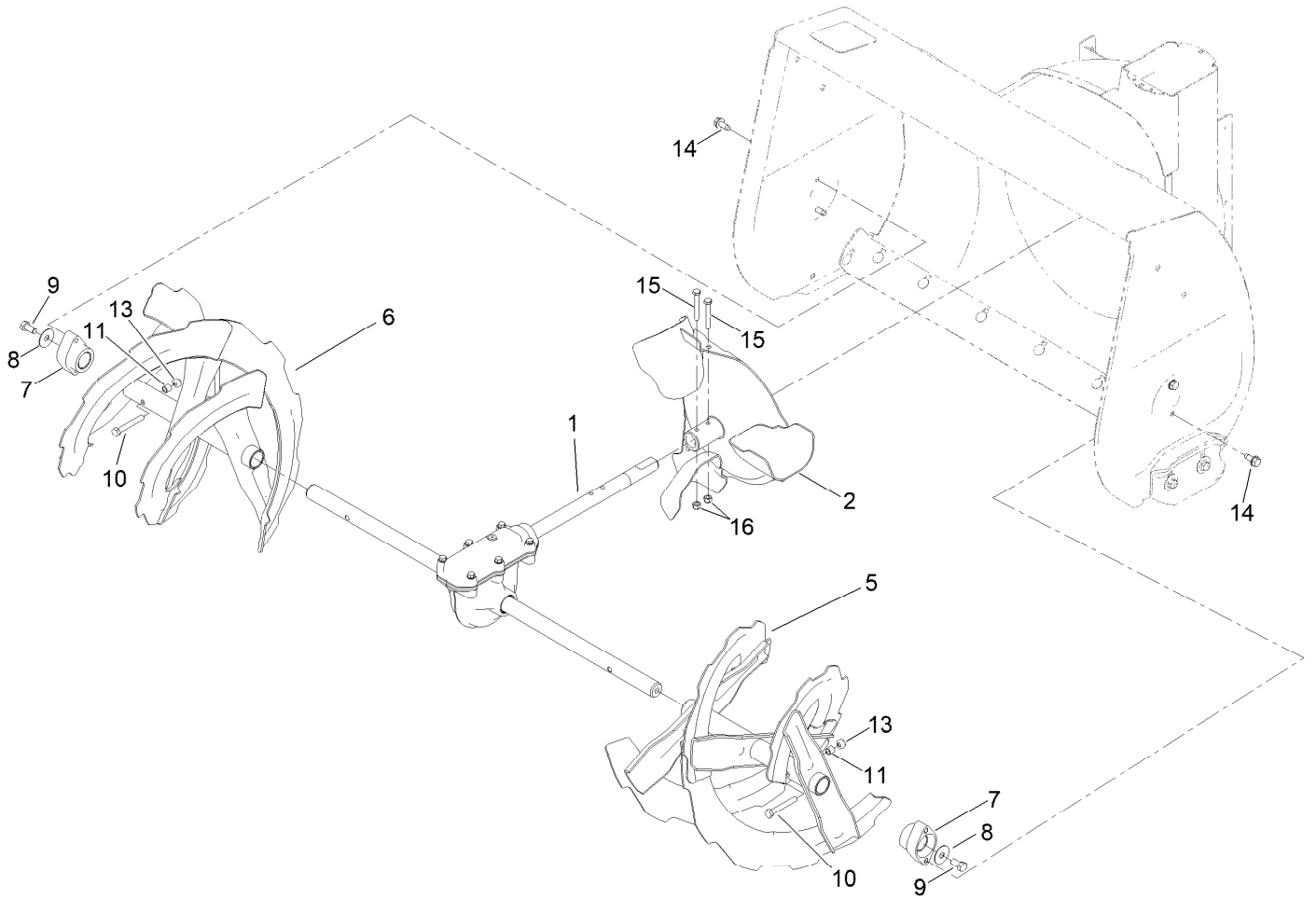
# Auger Drive Assembly



## Auger Drive Assembly (continued)

| <i>Ref.</i> | <i>Part Number</i> | <i>Qty.</i> | <i>Description</i>       | <i>Ref.</i> | <i>Part Number</i> | <i>Qty.</i> | <i>Description</i>      |
|-------------|--------------------|-------------|--------------------------|-------------|--------------------|-------------|-------------------------|
| 1           | 136-6564           | 2           | Pulley-Traction, Engine  | 28          | 136-7186           | 1           | Arm-Idler, Traction     |
| 2           | 136-6691           | 1           | Pulley-Spacer            | 29          | 3-4244             | 1           | Pulley-Idler            |
| 3           | 137-6179           | 1           | Pulley-Impeller          | 30          | 137-3065           | 1           | Screw-HH                |
| 4           | 137-3078           | 1           | Washer-Plain             | 31          | 120-3060           | 1           | Spring-Torsion          |
| 5           | 137-3071           | 1           | Washer-Lock              | 32          | 92-9698            | 1           | Screw-Shoulder          |
| 6           | 138-0721           | 1           | Screw-HH                 | 33          | 137-3094           | 1           | Nut-Hex                 |
| 7           | 135-0708           | 1           | Belt-V, Hitemp           | 34          | 107-1045           | 1           | Spring-Extension        |
| 8           | 3-8514             | 1           | Washer-Thrust            | 36          | 136-6689           | 1           | Plate-Friction, Wheel   |
| 9           | 136-8654-03        | 1           | Bracket-Clutch, Impeller | 37          | 137-6156           | 1           | Bracket-Plate, Traction |
| 10          | 138-0717           | 1           | Pulley-Impeller          | 38          | 137-6159-03        | 1           | Bellcrank-Drive         |
| 11          | 136-6558           | 1           | Hub-Pulley               | 39          | 137-6157           | 1           | Link-Drive              |
| 12          | 32144-70           | 4           | Screw-HWHTF              | 40          | 38-7820            | 2           | Bearing-Ball            |
| 13          | 136-8671-03        | 1           | Bracket-Brake, Clutch    | 41          | 136-7124           | 1           | Retainer-Bearing        |
| 14          | 136-6527           | 1           | Brake Arm                | 42          | 137-6154           | 1           | Pulley-Traction         |
| 15          | 66-8060            | 1           | Pad-Brake                | 43          | 115-1166           | 2           | Washer-Flat             |
| 16          | 136-7199           | 1           | Bolt-Shoulder            | 44          | 137-6189           | 1           | Spring-Extension        |
| 17          | 121-4600           | 2           | Nut-Hex                  | 45          | 256-257            | 2           | Bushing-Nyliner         |
| 18          | 137-6234-03        | 1           | Arm-Clutch, Impeller     | 46          | 120-7156           | 2           | Bushing-Plate, Traction |
| 19          | 92-7104            | 1           | Pulley-Idler             | 47          | 119-4042           | 1           | Nut-HF, NI              |
| 20          | 138-0722           | 1           | Screw-HH                 | 48          | 136-6654           | 1           | Bracket-Bellcrank       |
| 21          | 137-3111           | 1           | Screw-HHF                | 49          | 137-3121           | 1           | Washer-Plain            |
| 22          | 137-3005           | 1           | Nut-HF                   | 50          | 115-5142           | 1           | Screw-HHF               |
| 24          | 32144-85           | 12          | Screw-HWH                | 51          | 137-3089           | 1           | Nut-Hex                 |
| 25          | 136-7116           | 1           | Bolt-Shoulder            | 52          | 137-3016           | 1           | Nut-HF                  |
| 26          | 137-3095           | 1           | Nut-Hex                  | 53          | 104-0858           | 1           | Bolt-Shoulder           |
| 27          | 137-6151           | 1           | V-Belt                   |             |                    |             |                         |

# Gear Case Assembly

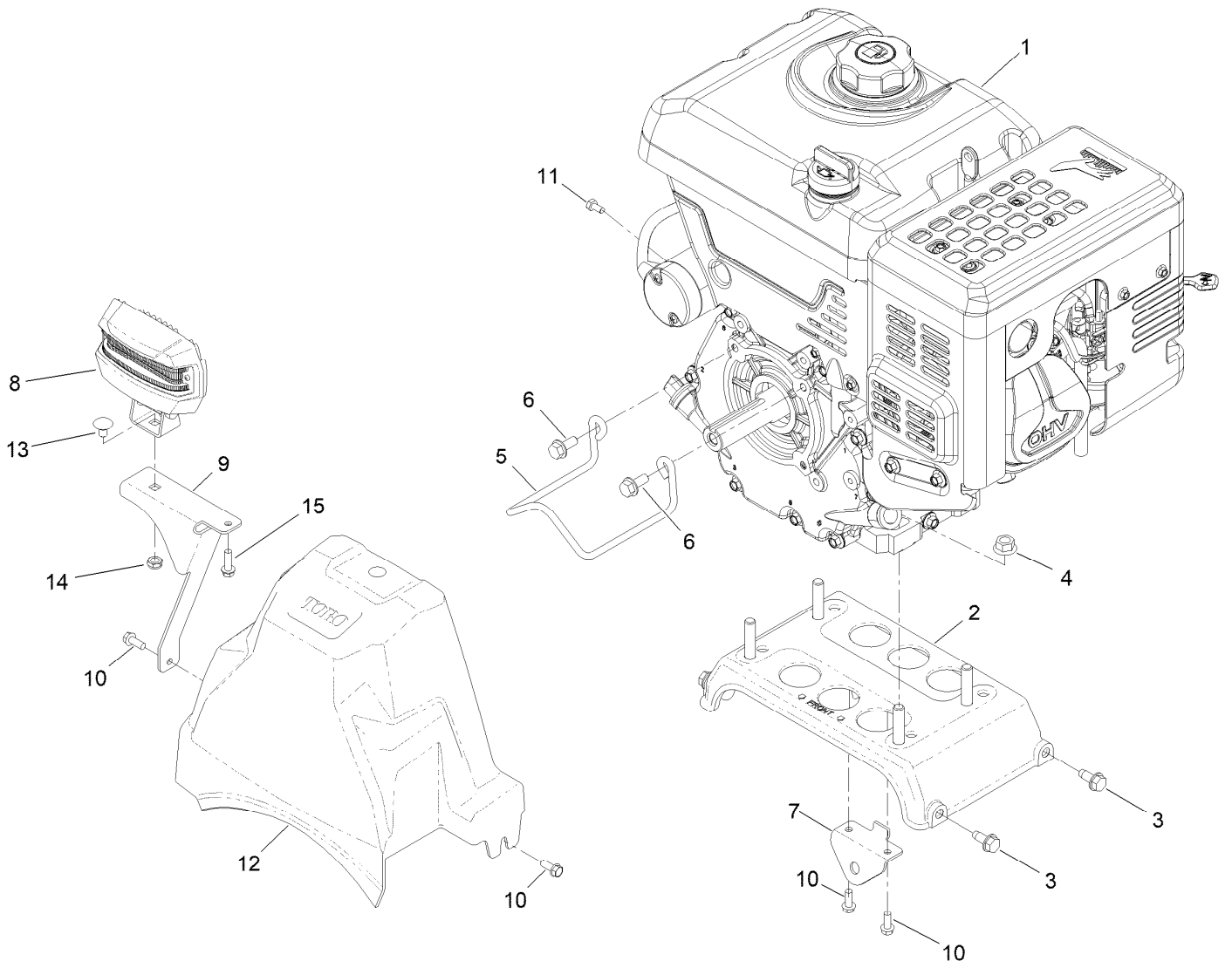




## Gear Case Assembly (continued)

| <i>Ref.</i> | <i>Part Number</i> | <i>Qty.</i> | <i>Description</i>        | <i>Ref.</i> | <i>Part Number</i> | <i>Qty.</i> | <i>Description</i> |
|-------------|--------------------|-------------|---------------------------|-------------|--------------------|-------------|--------------------|
| 1           | 144-1300           | 1           | Auger Gearcase ASM, 30 In | 10          | 120-9738           | 2           | Screw-HH           |
| 2           | 136-6570-03        | 1           | Impeller                  | 11          | 136-7148           | 2           | Spacer-Grommet     |
| 5           | 144-1304-03        | 1           | Auger LH, 30" [black]     | 13          | 119-4038           | 2           | Nut-Hex            |
| 6           | 144-1305-03        | 1           | Auger RH, 30" [black]     | 14          | 32144-70           | 4           | Screw-HWHTF        |
| 7           | 106-4570           | 2           | Bearing-Auger             | 15          | 137-3032           | 2           | Screw-HH           |
| 8           | 3-0750             | 2           | Washer                    | 16          | 137-3088           | 2           | Nut-Hex            |
| 9           | 137-3066           | 2           | Screw-HH                  |             |                    |             |                    |

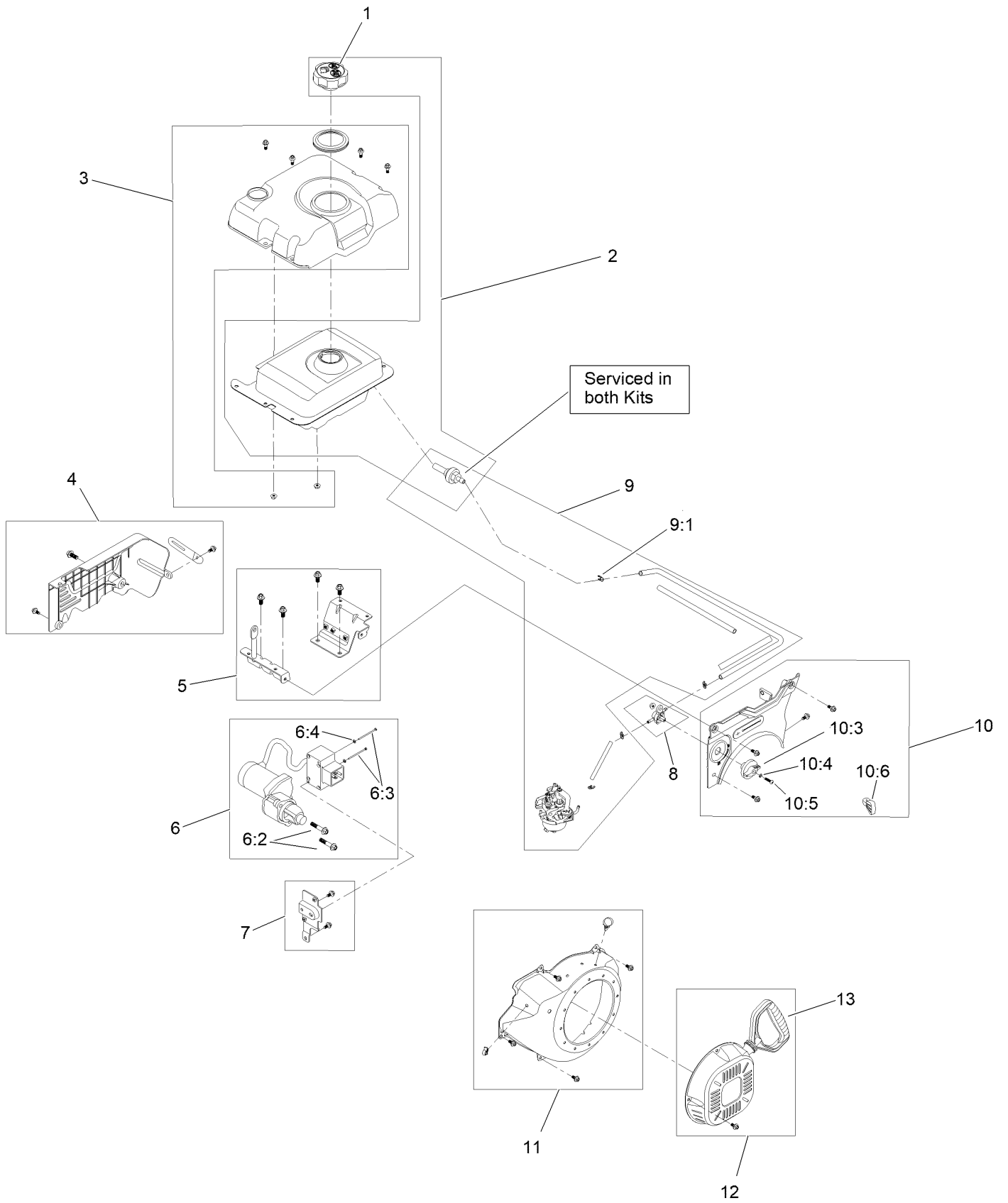
# Engine Assembly



## Engine Assembly (continued)

| <i>Ref.</i> | <i>Part Number</i> | <i>Qty.</i> | <i>Description</i>        | <i>Ref.</i> | <i>Part Number</i> | <i>Qty.</i> | <i>Description</i>  |
|-------------|--------------------|-------------|---------------------------|-------------|--------------------|-------------|---------------------|
| 1           | 120-4425           | 1           | Engine-180Fds-1           | 9           | 138-0683-03        | 1           | Bracket-Light       |
| 2           | 138-0695           | 1           | Engine Plate ASM          | 10          | 32144-85           | 2           | Screw-HWH           |
| 3           | 32144-70           | 4           | Screw-HWHTF               | 11          | 121-4604           | 1           | Screw-HH            |
| 4           | 136-8683           | 4           | Nut-Lock                  | 12          | 136-6606           | 1           | Cover-Belt          |
| 5           | 136-8673           | 1           | Guide-Belt                | 13          | 3230-19            | 1           | Bolt-CARR           |
| 6           | 138-0690           | 2           | Screw-HH                  | 14          | 137-3089           | 1           | Nut-Hex             |
| 7           | 136-6644-03        | 1           | Bracket-Control, Traction | 15          | 137-3099           | 1           | Screw-Plastite, HWH |
| 8           | 138-0670           | 1           | LED Light ASM             |             |                    |             |                     |

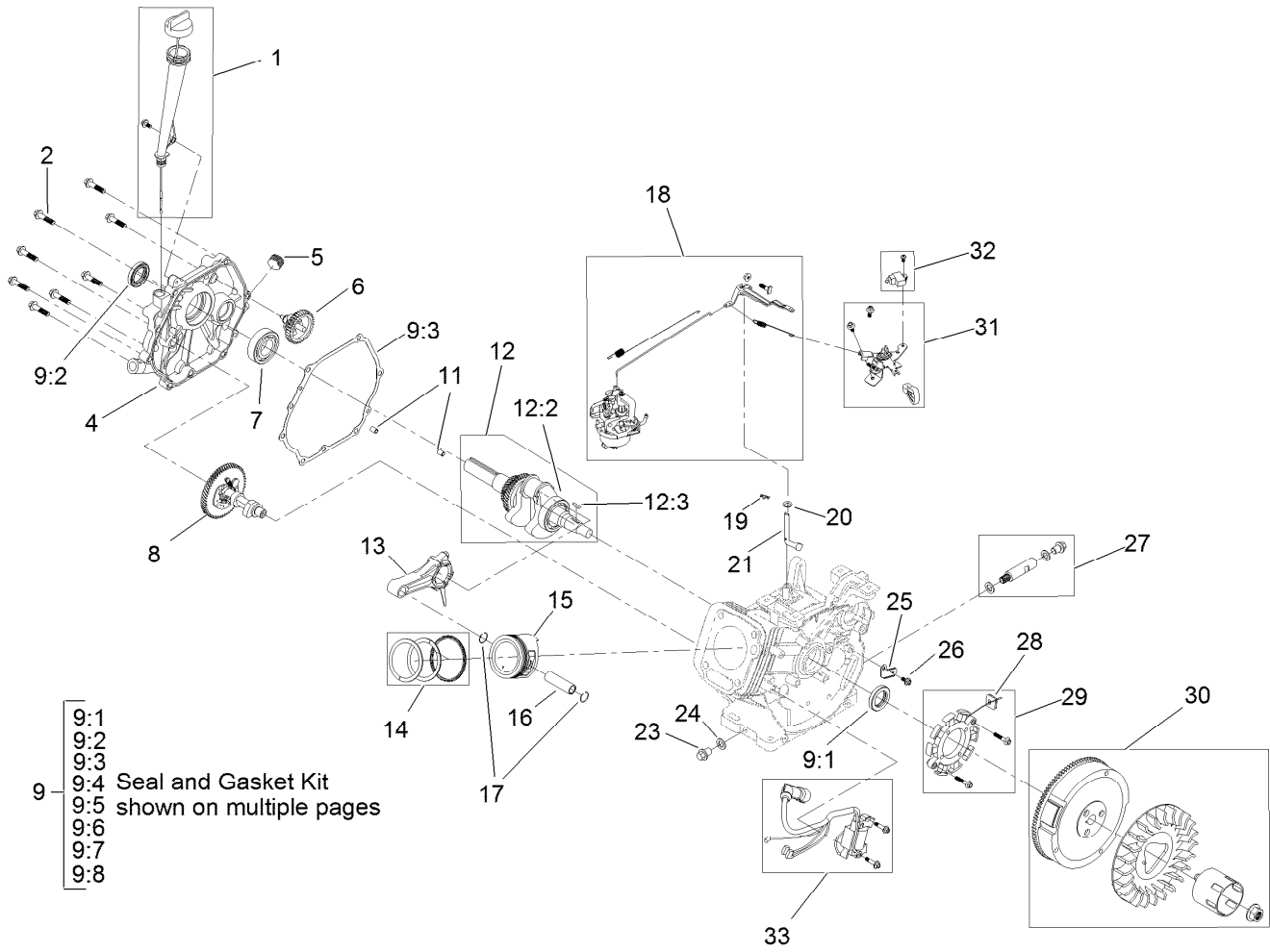
# Engine Assembly No. 1



## Engine Assembly No. 1 (continued)

| <i>Ref.</i> | <i>Part Number</i> | <i>Qty.</i> | <i>Description</i>          | <i>Ref.</i> | <i>Part Number</i> | <i>Qty.</i> | <i>Description</i>      |
|-------------|--------------------|-------------|-----------------------------|-------------|--------------------|-------------|-------------------------|
| 1           | 133-9823           | 1           | Cap-Fuel                    | 8           | 121-4109           | 1           | Fuel Shut-Off Valve Kit |
| 2           | 136-7802           | 1           | Fuel Tank And Cap Kit       | 9           | 139-0598           | 1           | Fuel Line Kit           |
| 3           | 121-0349           | 1           | Fuel Tank Cover Kit         | 9:1         | 121-0087           | 4           | Clamp-Hose              |
| 4           | 121-0347           | 1           | Rear Panel And Hardware Kit | 10          | 121-4105           | 1           | Front Panel Kit         |
| 5           | 121-0351           | 1           | Tank Mount Bracket Kit      | 10:3        | 121-0268           | 1           | Knob-Valve, Fuel        |
| 6           | 136-7799           | 1           | Electric Starter Kit        | 10:4        | 121-0312           | 1           | Washer-Plain            |
| 6:2         | 121-0298           | 2           | Screw-HHF                   | 10:5        | 121-0305           | 1           | Screw-Bhp               |
| 6:3         | 121-0306           | 2           | Screw-Bhp                   | 10:6        | 121-0269           | 1           | Knob-Control, Throttle  |
| 6:4         | 121-0312           | 2           | Washer-Plain                | 11          | 121-0274           | 1           | Recoil Shroud Kit       |
| 7           | 121-4103           | 1           | Switch Box Bracket Kit      | 12          | 121-0342           | 1           | Recoil Kit              |
|             |                    |             |                             | 13          | 121-0287           | 1           | Handle-Recoil           |

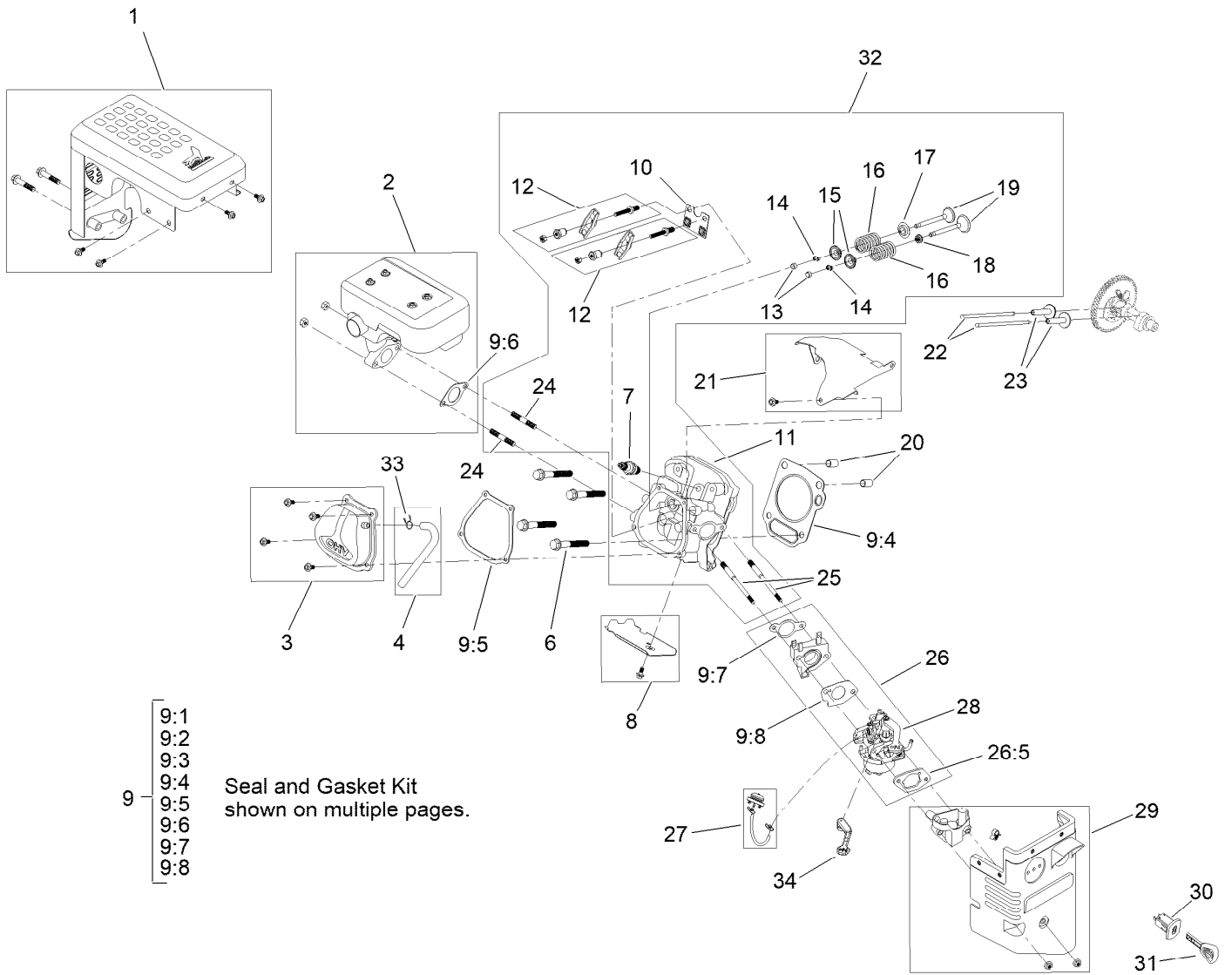
# Engine Assembly No. 2



## Engine Assembly No. 2 (continued)

| <i>Ref.</i> | <i>Part Number</i> | <i>Qty.</i> | <i>Description</i>      | <i>Ref.</i> | <i>Part Number</i> | <i>Qty.</i> | <i>Description</i>    |
|-------------|--------------------|-------------|-------------------------|-------------|--------------------|-------------|-----------------------|
| 1           | 133-9854           | 1           | Oil Fill Kit            | 13          | 121-0240           | 1           | Connecting Rod ASM    |
| 2           | 121-0299           | 8           | Screw-HHF               | 14          | 121-0238           | 1           | Set-Ring, Piston      |
| 4           | 133-9856           | 1           | Cover-Crankcase         | 15          | 121-0333           | 1           | Piston                |
| 5           | 133-9805           | 1           | Plug-Drain              | 16          | 121-0237           | 1           | Pin-Piston            |
| 6           | 136-7782           | 1           | Governor Gear ASM       | 17          | 121-0313           | 2           | Clip-Pin, Piston      |
| 7           | 121-0315           | 1           | Bearing-Main            | 18          | 121-0352           | 1           | Complete Governor Kit |
| 8           | 121-0243           | 1           | Camshaft ASM            | 19          | 120-4256           | 1           | Pin-Hair              |
| 9           | 121-0358           | 1           | Seal And Gasket Kit     | 20          | 121-0311           | 1           | Washer-Plain          |
| 9:1         | 121-0316           | 1           | Seal-Oil                | 21          | 136-7783           | 1           | Shaft-Governor        |
| 9:2         | 121-0317           | 1           | Seal-Oil                | 23          | 121-0222           | 1           | Screw-HHF             |
| 9:3         | 121-0228           | 1           | Gasket-Cover, Crankcase | 24          | 121-0310           | 1           | Washer-Plain          |
| 9:4         | 121-0231           | 1           | Gasket-Head, Cylinder   | 25          | 121-0278           | 1           | Clamp                 |
| 9:5         | 121-0234           | 1           | Gasket-Cover, Valve     | 26          | 121-0118           | 1           | Screw-HHF             |
| 9:6         | 121-0272           | 1           | Gasket-Exhaust          | 27          | 121-0341           | 1           | Drain Plug Kit        |
| 9:7         | 121-0252           | 1           | Gasket-Carburetor       | 28          | 121-0325           | 1           | Grommet-Rubber        |
| 9:8         | 121-0253           | 1           | Gasket-Carburetor       | 29          | 121-0362           | 1           | Stator Kit            |
| 11          | 121-0314           | 2           | Pin-Dowel               | 30          | 121-0354           | 1           | Fan And Flywheel Kit  |
| 12          | 121-0241           | 1           | Crankshaft ASM          | 31          | 121-4107           | 1           | Throttle Control Kit  |
| 12:2        | 121-0315           | 1           | Bearing-Main            | 32          | 121-4106           | 1           | Kill Switch Kit       |
| 12:3        | 120-4320           | 1           | Key-Woodruff            | 33          | 136-7798           | 1           | Ignition Kit          |

# Engine Assembly No. 3



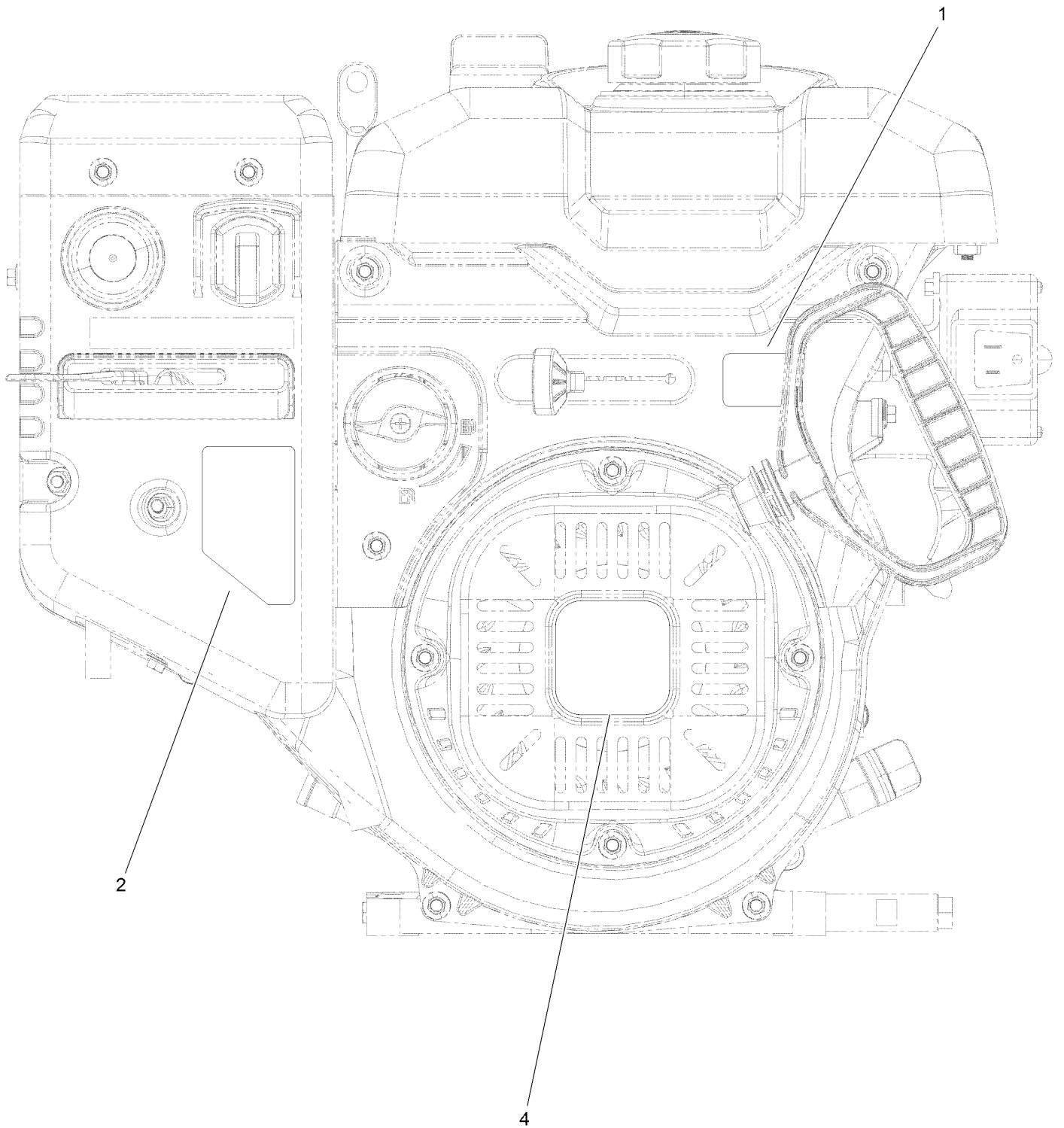


## Engine Assembly No. 3 (continued)

| <i>Ref.</i> | <i>Part Number</i> | <i>Qty.</i> | <i>Description</i>      | <i>Ref.</i> | <i>Part Number</i> | <i>Qty.</i> | <i>Description</i>               |
|-------------|--------------------|-------------|-------------------------|-------------|--------------------|-------------|----------------------------------|
| 1           | 121-4101           | 1           | Muffler Shield Kit      | 17          | 120-4303           | 1           | Seat-Spring, Valve               |
| 2           | 127-9373           | 1           | Muffler Kit             | 18          | 120-4304           | 1           | Seal-Stem, Valve                 |
| 3           | 121-0343           | 1           | Valve Cover Kit         | 19          | 121-0328           | 1           | Valve Kit                        |
| 4           | 139-0629           | 1           | Tube-Breather           | 20          | 120-4200           | 2           | Pin-Dowel                        |
| 6           | 121-0302           | 4           | Screw-HHF               | 21          | 121-4102           | 1           | Upper Heat Shroud Kit            |
| 7           | 119-1901           | 1           | Plug-Spark              | 22          | 121-0246           | 2           | Rod-Push                         |
| 8           | 121-0348           | 1           | Lower Heat Shroud Kit   | 23          | 120-4298           | 2           | Lifter-Valve                     |
| 9           | 121-0358           | 1           | Seal And Gasket Kit     | 24          | 121-0304           | 2           | Stud-Mount, Muffler              |
| 9:1         | 121-0316           | 1           | Seal-Oil                | 25          | 121-0303           | 2           | Stud-Mount, Carburetor           |
| 9:2         | 121-0317           | 1           | Seal-Oil                | 26          | 121-0359           | 1           | Complete Carb Service Kit        |
| 9:3         | 121-0228           | 1           | Gasket-Cover, Crankcase | 26:5        | 121-0254           | 1           | Gasket-Coated, Rubber            |
| 9:4         | 121-0231           | 1           | Gasket-Head, Cylinder   | 27          | 127-9372           | 1           | Primer Kit                       |
| 9:5         | 121-0234           | 1           | Gasket-Cover, Valve     | 28          | 127-9143           | 1           | Carb Repair Kit With Gaskets     |
| 9:6         | 121-0272           | 1           | Gasket-Exhaust          | 29          | 121-0355           | 1           | Heater Box Kit                   |
| 9:7         | 121-0252           | 1           | Gasket-Carburetor       | 30          | 121-0283           | 1           | Switch-Key                       |
| 9:8         | 121-0253           | 1           | Gasket-Carburetor       | 31          | 117-7728           | 1           | Key                              |
| 10          | 121-0247           | 1           | Plate-Guide, Push Rod   | 32          | 133-9855           | 1           | Complete Head ASM                |
| 11          | 121-0230           | 1           | Head-Cylinder           | 33          | 127-9408           | 1           | Clamp-Hose                       |
| 12          | 121-0245           | 2           | Rocker Arm ASM          | 34          | 139-0638           | 1           | Lever-Choke                      |
| 13          | 121-0244           | 2           | Rotator-Valve           | 99          | 121-4241           | 1           | High Altitude Kit-Power Max HD ● |
| 14          | 120-4307           | 4           | Keeper-Valve            |             |                    |             |                                  |
| 15          | 120-4306           | 2           | Retainer-Spring, Valve  |             |                    |             |                                  |
| 16          | 120-4305           | 2           | Spring-Valve            |             |                    |             |                                  |

● Not illustrated

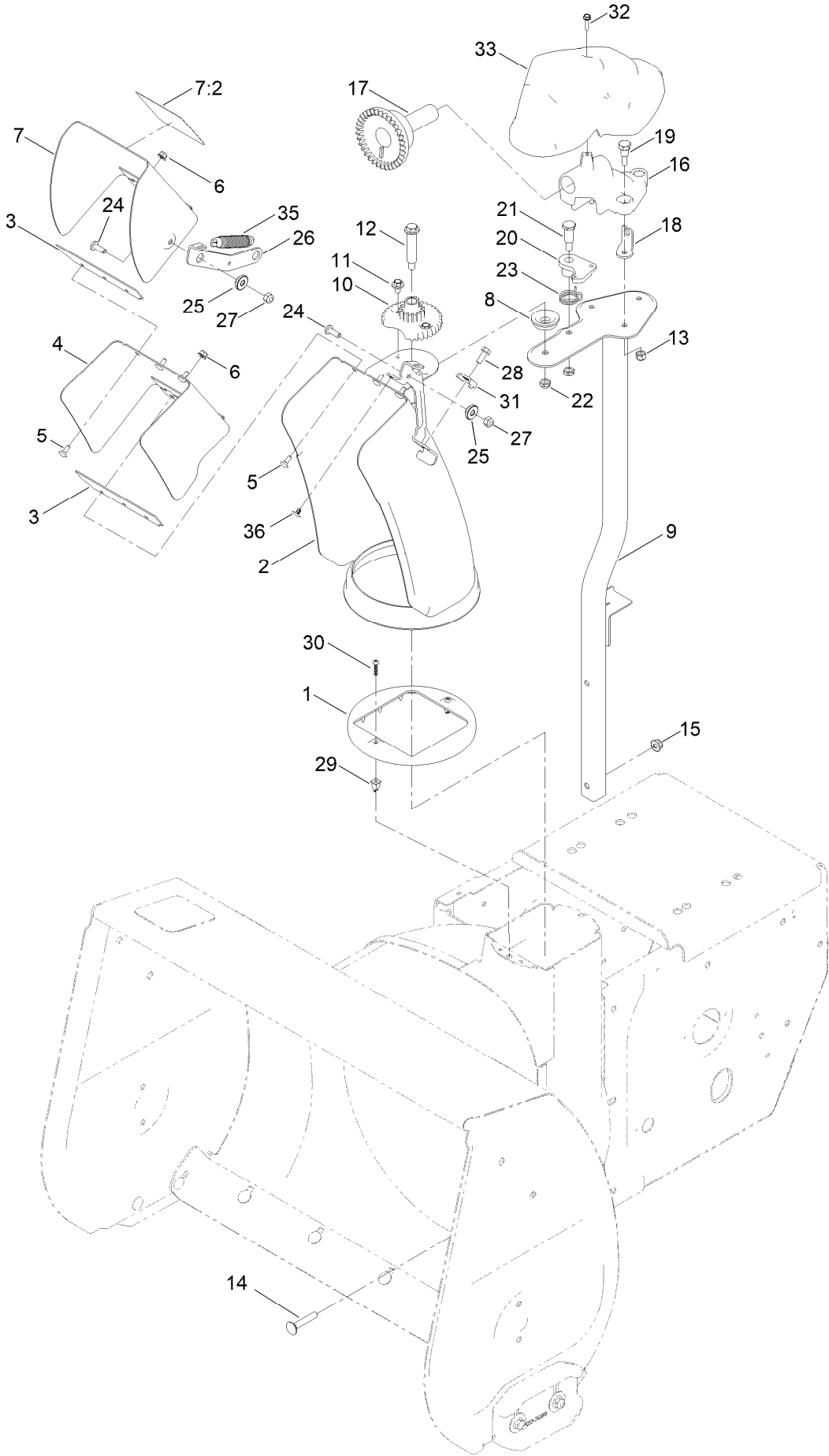
# Engine Decal Assembly



## Engine Decal Assembly (continued)

| <i>Ref.</i> | <i>Part Number</i> | <i>Qty.</i> | <i>Description</i>    |
|-------------|--------------------|-------------|-----------------------|
| 1           | 125-1102           | 1           | Decal-Throttle        |
| 2           | 120-9805           | 1           | Decal-Control, Engine |
| 4           | 120-9811           | 1           | Decal-Recoil          |

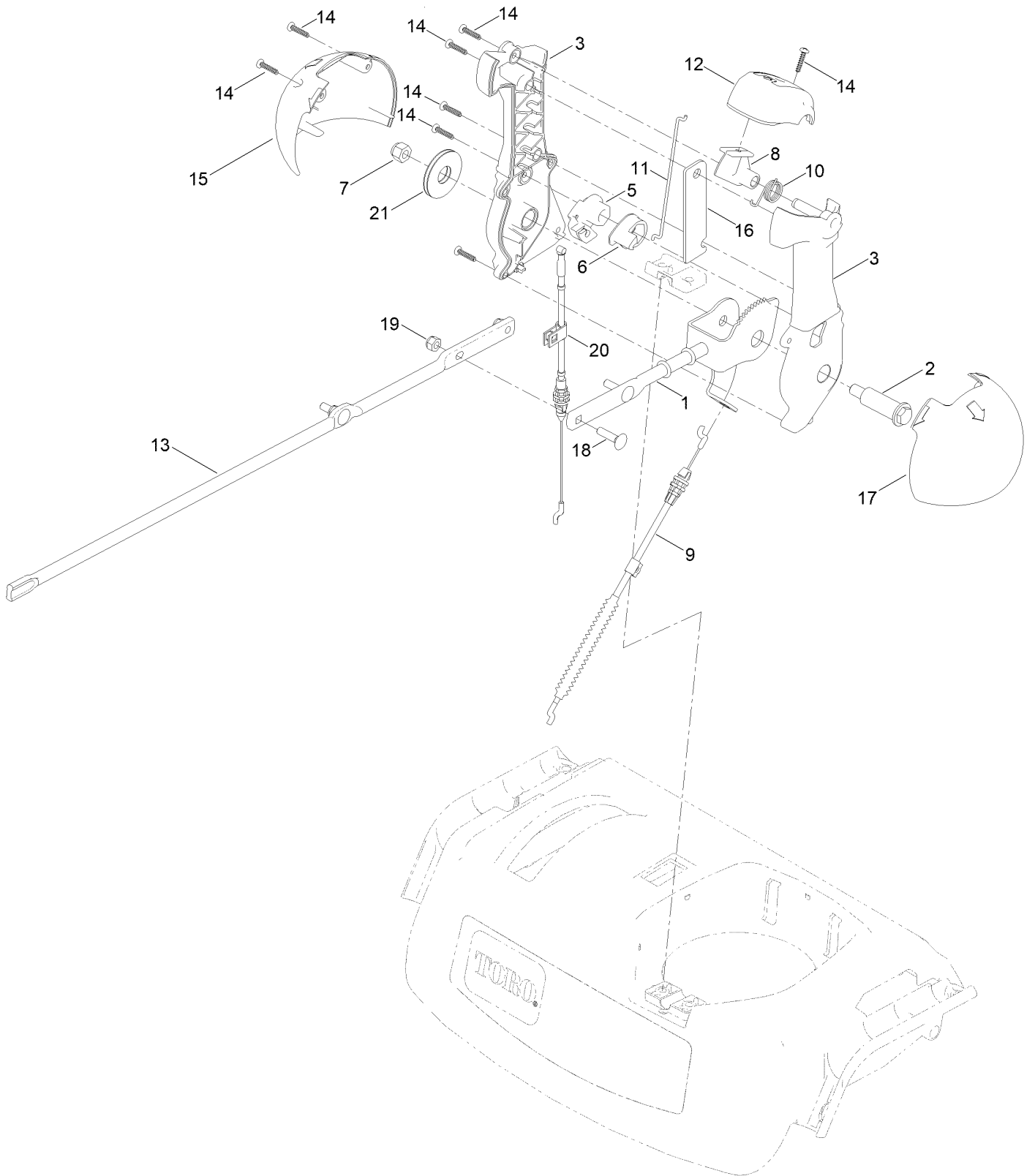
# Chute Assembly



## Chute Assembly (continued)

| <i>Ref.</i> | <i>Part Number</i> | <i>Qty.</i> | <i>Description</i>   | <i>Ref.</i> | <i>Part Number</i> | <i>Qty.</i> | <i>Description</i>  |
|-------------|--------------------|-------------|----------------------|-------------|--------------------|-------------|---------------------|
| 1           | 136-6515           | 1           | Guide-Chute          | 18          | 136-6676           | 1           | Anchor-Cable        |
| 2           | 136-6580-01        | 1           | Lower Chute ASM      | 19          | 136-7197           | 3           | Screw-Shoulder      |
| 3           | 138-3671           | 2           | Gasket-Deflector     | 20          | 136-6525           | 1           | Latch-Chute         |
| 4           | 136-6582-01        | 1           | Middle Deflector ASM | 21          | 137-3103           | 1           | Screw-Shoulder, HH  |
| 5           | 135-1929           | 6           | Bolt-CARR            | 22          | 137-3089           | 2           | Nut-Hex             |
| 6           | 138-0719           | 6           | Nut-HF               | 23          | 108-7315           | 1           | Spring-Torsion      |
| 7           | 139-1564           | 1           | Deflector ASM        | 24          | 138-0689           | 2           | Screw-PH            |
| 7:2         | 121-6847           | 1           | Decal-Danger         | 25          | 138-0687           | 2           | Bushing-Pivot       |
| 8           | 106-4422           | 1           | Spacer-Chute         | 26          | 136-6522           | 1           | Link-Deflector      |
| 9           | 137-6245-03        | 1           | Chute Post ASM       | 27          | 137-3094           | 2           | Nut-Hex             |
| 10          | 106-4472           | 1           | Gear-Chute           | 28          | 32144-85           | 1           | Screw-HWH           |
| 11          | 46-6810            | 2           | Screw And Washer ASM | 29          | 136-6586           | 2           | Grommet-Screw       |
| 12          | 136-7199           | 1           | Bolt-Shoulder        | 30          | 94-4496            | 2           | Screw-PPH           |
| 13          | 137-3088           | 3           | Nut-Hex              | 31          | 136-7191           | 1           | Clamp-Cable         |
| 14          | 137-3063           | 2           | Bolt-Car             | 32          | 137-3110           | 1           | Screw-Plastite, HWH |
| 15          | 119-4041           | 2           | Nut-HF               | 33          | 136-6672           | 1           | Cover-Gear, Face    |
| 16          | 136-6517           | 1           | Mount-Gear, Face     | 35          | 132-6915           | 1           | Spring-Extension    |
| 17          | 106-4471           | 1           | Gear-Face            | 36          | 138-3651           | 1           | Plug-Plastic        |

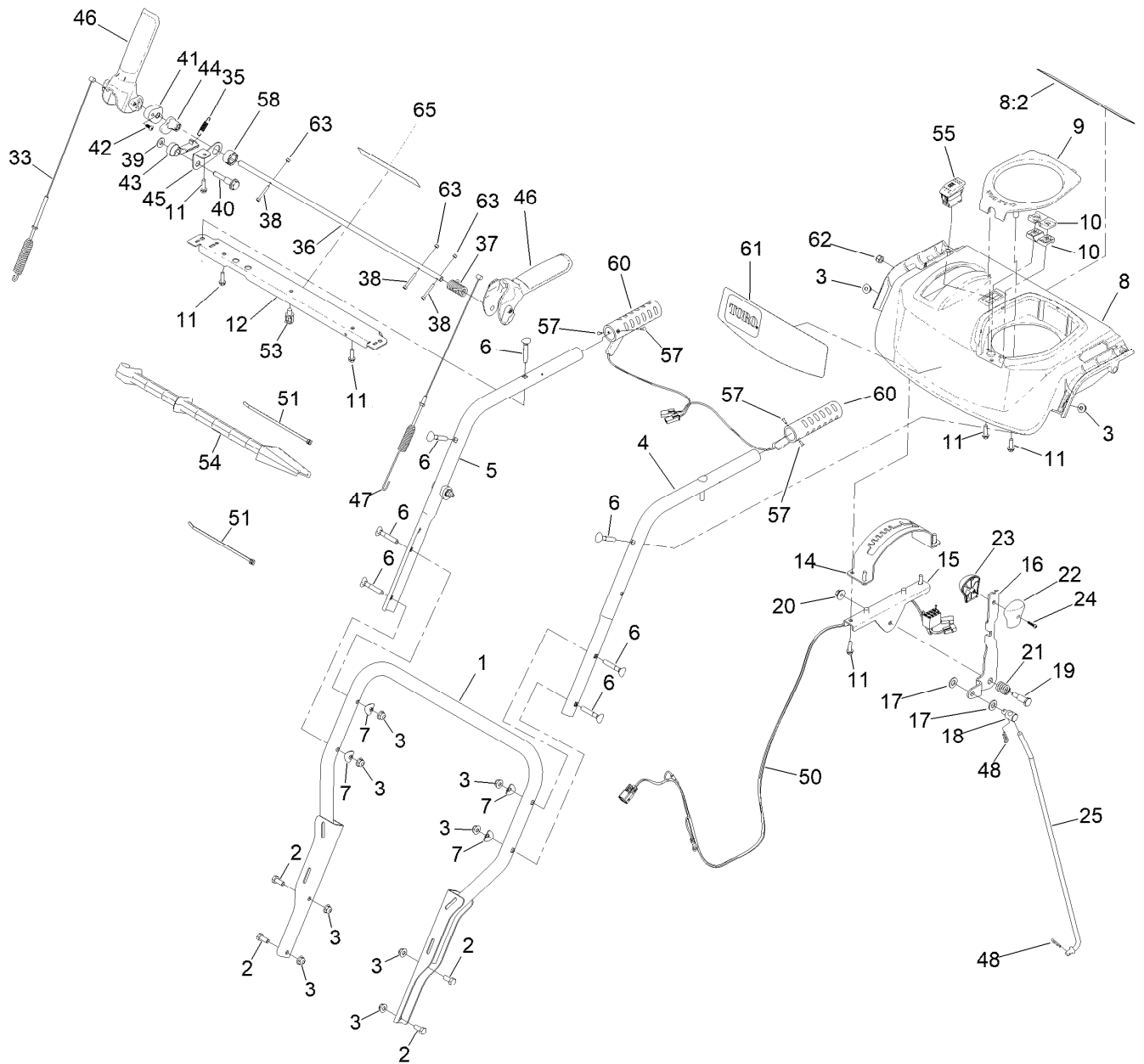
# Chute Control Assembly



## Chute Control Assembly (continued)

| <i>Ref.</i> | <i>Part Number</i> | <i>Qty.</i> | <i>Description</i>       | <i>Ref.</i> | <i>Part Number</i> | <i>Qty.</i> | <i>Description</i>         |
|-------------|--------------------|-------------|--------------------------|-------------|--------------------|-------------|----------------------------|
| 1           | 138-0662           | 1           | Rod-Control, Chute       | 12          | 137-6239           | 1           | Cap-Lever                  |
| 2           | 138-0659           | 1           | Screw-Shoulder, HWH      | 13          | 136-6578           | 1           | Rod-Chute, Rotation        |
| 3           | 139-1552           | 1           | Chute Control Lever ASM  | 14          | 94-4496            | 8           | Screw-PPH                  |
| 5           | 105-9988           | 1           | Lever-Cable, Deflector   | 15          | 136-6677           | 1           | Globe-Quickstick, RH       |
| 6           | 106-7310           | 1           | Pawl-Latch               | 16          | 136-6632-03        | 1           | Plate-Stiffner             |
| 7           | 137-3087           | 1           | Nut-Hex                  | 17          | 136-6678           | 1           | Globe-Quickstick, LH       |
| 8           | 137-6238           | 1           | Trigger-Latch            | 18          | 137-3056           | 3           | Bolt-CARR                  |
| 9           | 138-0730           | 1           | Cable-Control, Deflector | 19          | 137-3094           | 3           | Nut-Hex                    |
| 10          | 105-9982           | 1           | Spring-Torsion           | 20          | 139-9903           | 1           | Cable-Release, Chute       |
| 11          | 138-0688           | 1           | Link-Latch               | 21          | 138-0744           | 1           | Washer-Friction, Composite |

# Handle Assembly

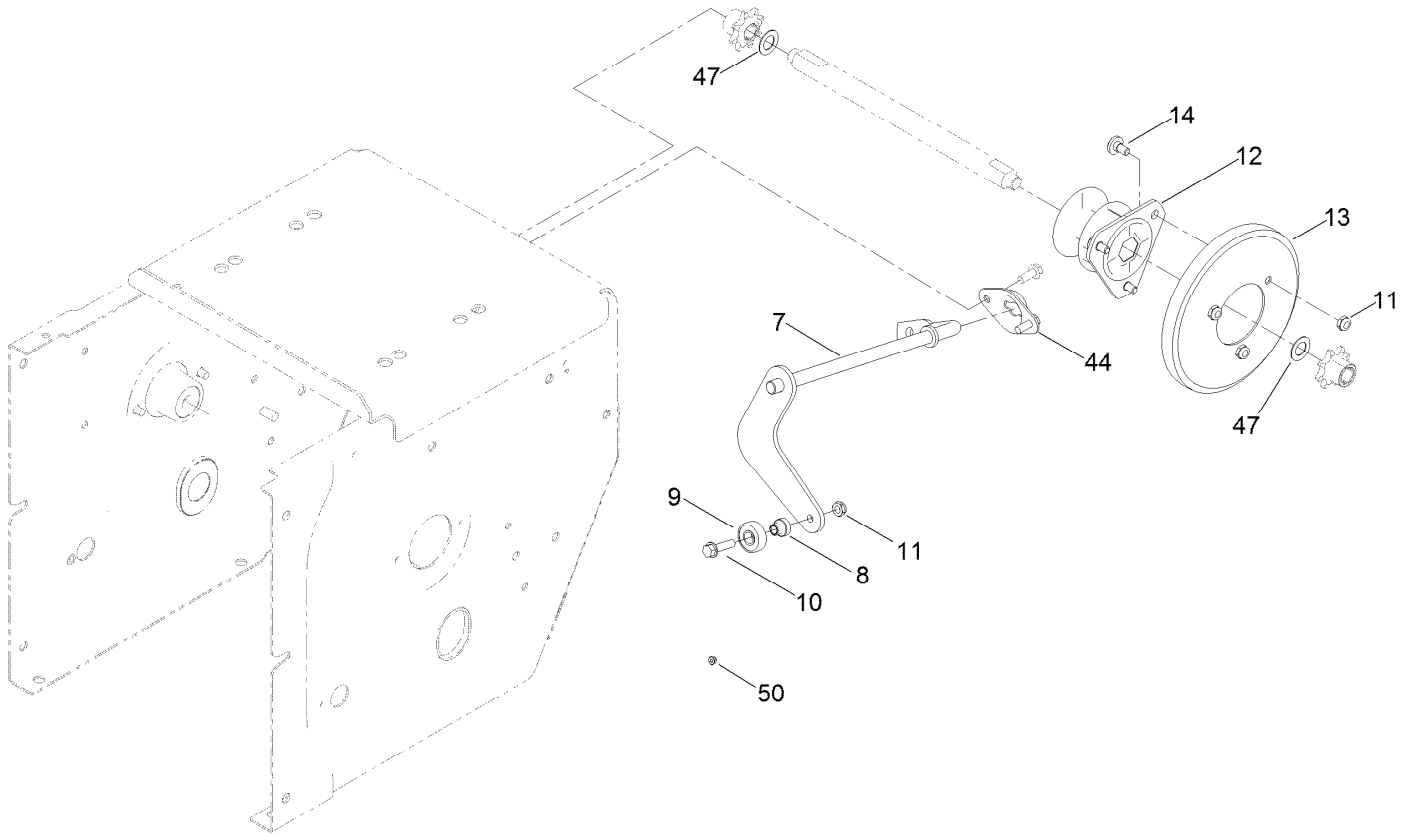




## Handle Assembly (continued)

| <i>Ref.</i> | <i>Part Number</i> | <i>Qty.</i> | <i>Description</i>        | <i>Ref.</i> | <i>Part Number</i> | <i>Qty.</i> | <i>Description</i>                  |
|-------------|--------------------|-------------|---------------------------|-------------|--------------------|-------------|-------------------------------------|
| 1           | 136-6682-03        | 1           | Lower Handle ASM          | 37          | 138-0678           | 1           | Spring-Torsion, Handle Return       |
| 2           | 137-3052           | 4           | Screw-HH                  | 38          | 139-3694           | 3           | Screw-HSH                           |
| 3           | 138-8401           | 12          | Nut-HF                    | 39          | 98-3499            | 1           | Washer-Flat                         |
| 4           | 137-6206-03        | 1           | Handle-Upper, LH          | 40          | 138-0681           | 1           | Screw-Shoulder                      |
| 5           | 137-6207-03        | 1           | Handle-Upper, RH          | 41          | 137-6227           | 1           | Lock-Handle                         |
| 6           | 137-3107           | 8           | Screw-Handle              | 42          | 137-9137           | 1           | Screw-PPH                           |
| 7           | 137-3009           | 4           | Washer-Cup                | 43          | 137-6229           | 1           | Latch-Lockout                       |
| 8           | 137-6208           | 1           | Panel-Control, W/Graphics | 44          | 138-8466           | 1           | Cam-Lockout                         |
| 8:2         | 137-6249           | 1           | Decal-Safety              | 45          | 138-3652           | 1           | Link-Lockout                        |
| 9           | 137-6178           | 1           | Cover-Quickstick          | 46          | 137-6171           | 2           | Lever-Control                       |
| 10          | 105-9987           | 2           | Support-Rod               | 47          | 138-0728           | 1           | Cable-Traction                      |
| 11          | 137-3099           | 9           | Screw-Plastite, HWH       | 48          | 137-3083           | 2           | Pin-Hair                            |
| 12          | 137-6197-01        | 1           | Brace-Console             | 50          | 138-3644           | 1           | Harness-Wire, LED And Hand Warmers  |
| 14          | 137-6187-03        | 1           | Gate-Shift                | 51          | 614249             | 2           | Tie-Cable                           |
| 15          | 137-6188-03        | 1           | Bracket-Shift             | 53          | 32180-030          | 1           | Clip-Tie                            |
| 16          | 137-6231-03        | 1           | Selector-Speed            | 54          | 110-3408           | 1           | Stick-Cleanout                      |
| 17          | 115-1166           | 2           | Washer-Flat               | 55          | 122-1124           | 1           | Switch-Rocker, On-None-Off (Heater) |
| 18          | 136-7193           | 1           | Trunnion-Rod              | 57          | 3290-271           | 4           | Rivet-Pop                           |
| 19          | 137-3103           | 1           | Screw-Shoulder, HH        | 58          | 138-8467           | 1           | Collar-Cam                          |
| 20          | 137-3038           | 1           | Nut-HF                    | 60          | 127-5951           | 2           | Grip-Heated                         |
| 21          | 136-7121           | 1           | Spring-Compression        | 61          | 144-0309           | 1           | Decal-Console                       |
| 22          | 105-9999           | 1           | Knob-Shift, LH            | 62          | 137-3093           | 1           | Nut-Hex                             |
| 23          | 106-4423           | 1           | Knob-Shift, RH            | 63          | 127-2018           | 3           | Nut-HHF                             |
| 24          | 94-4496            | 1           | Screw-PPH                 | 65          | 144-1619           | 1           | Decal-Hydro                         |
| 25          | 137-6225           | 1           | Rod-Shift                 |             |                    |             |                                     |
| 33          | 138-3661           | 1           | Cable-Auger               |             |                    |             |                                     |
| 35          | 136-7161           | 1           | Spring-Lockout, Handle    |             |                    |             |                                     |
| 36          | 137-6182           | 1           | Rod-Lockout               |             |                    |             |                                     |

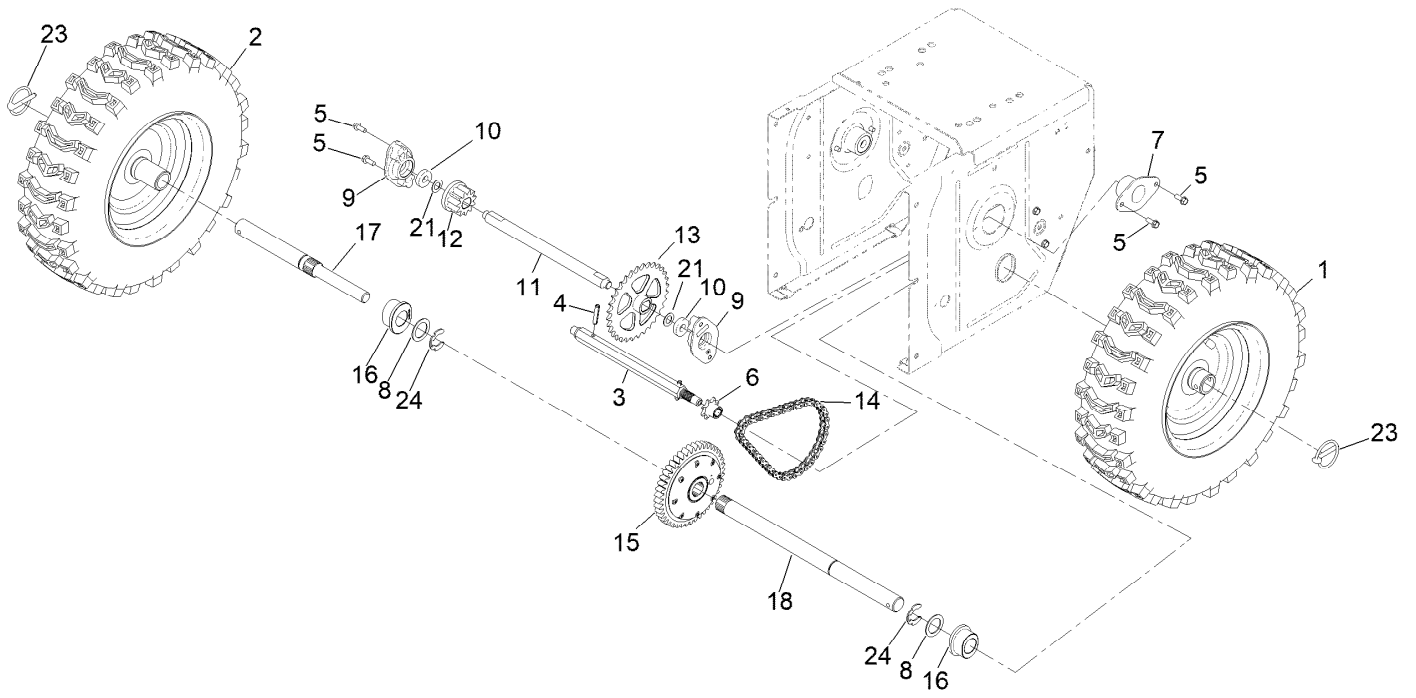
# Traction Drive Assembly



## Traction Drive Assembly (continued)

| <i>Ref.</i> | <i>Part Number</i> | <i>Qty.</i> | <i>Description</i>  | <i>Ref.</i> | <i>Part Number</i> | <i>Qty.</i> | <i>Description</i>  |
|-------------|--------------------|-------------|---------------------|-------------|--------------------|-------------|---------------------|
| 7           | 137-6162-03        | 1           | Rod-Shift           | 13          | 119-1567           | 1           | Wheel-Friction      |
| 8           | 119-7684           | 1           | Spacer-Plate, Shift | 14          | 137-6246           | 3           | Screw-Shoulder      |
| 9           | 121-6835           | 1           | Bearing-Ball        | 44          | 136-6647-03        | 1           | Retainer-Rod, Shift |
| 10          | 32144-86           | 1           | Screw-HWHTF         | 47          | 36-4780            | 2           | Washer-Plain        |
| 11          | 137-3091           | 4           | Nut-Hex             | 50          | 119-4040           | 2           | Nut-Flange, NI      |
| 12          | 119-7630           | 1           | Trunnion            |             |                    |             |                     |

# Autoturn Drive Assembly



## Autoturn Drive Assembly (continued)

| <i>Ref.</i> | <i>Part Number</i> | <i>Qty.</i> | <i>Description</i>                | <i>Ref.</i> | <i>Part Number</i> | <i>Qty.</i> | <i>Description</i>     |
|-------------|--------------------|-------------|-----------------------------------|-------------|--------------------|-------------|------------------------|
| 1           | 136-6668           | 1           | LH Wheel And Tire ASM             | 11          | 136-6692           | 1           | Shaft-Intermediate     |
| 2           | 136-6667           | 1           | RH Wheel And Tire ASM             | 12          | 136-6699           | 1           | Tooth-Gear, 11         |
| 3           | 138-0745           | 1           | Shaft-Hex                         | 13          | 136-6698           | 1           | Sprocket-32T           |
| 4           | 32121-9            | 2           | Pin-Roll, Slotted                 | 14          | 108-0016           | 1           | Chain-Roller           |
| 5           | 32144-85           | 8           | Screw-HWH                         | 15          | 140-3748           | 1           | Transmission-Gt, Di300 |
| 6           | 125-1134           | 1           | Gear-Pinion, 8 Tooth              | 16          | 136-6641           | 2           | Bushing-Axle           |
| 7           | 108-7319           | 2           | Retainer-Bearing                  | 17          | 140-3711           | 1           | Axle-Rt, HD            |
| 8           | 138-0725           | 2           | Washer-Thrust                     | 18          | 140-3736           | 1           | Axle -Lt, HD           |
| 9           | 136-6697           | 2           | Retainer-Bearing,<br>Intermediate | 21          | 36-4780            | 2           | Washer-Plain           |
| 10          | 52-2450            | 2           | Bearing-Wheel                     | 23          | 138-3642           | 2           | Pin-Klik               |
|             |                    |             |                                   | 24          | 32151-91           | 2           | Ring-Retaining         |

# Attachments and Accessories

## For 38830 Power Max Heavy Duty 1030 OHAE Snowthrower

| <b>Product Name</b>                               | <b>Model/Part</b> |
|---|-------------------|
| High-Altitude Kit.....                            | 121-4241          |
| Heavy-Duty Skid Kit.....                          | 125-1104          |
| Snow Cab Kit.....                                 | 127-5960          |
| Engine Maintenance Kit.....                       | 138-0704          |
| Non-Marking Skid Kit.....                         | 38211             |
| Drift Breaker Kit.....                            | 38213             |
| Tire Chain Kit, 16in Tires.....                   | 38215             |
| Toro Snow Oil 0W30 Synthetic 20-Ounce Bottle..... | 38913             |
| Power Max HD Covers (2019).....                   | 490-7415          |

**Notes:**



**Count on it.**