



# Reelmaster<sup>®</sup> 4000-D

## Traction Unit, 2 and 4 Wheel Drive

Model No. 03706—210000001 and Up

Model No. 03707—210000001 and Up

## Parts Catalog

### Ordering Replacement Parts

To order replacement parts, please supply: the part number, the quantity, and the description of each part desired.

### Understanding Reference Numbers

Each identified part in an illustration has a reference number. The reference number for a part also appears in the parts list, along with other information about the part.

This catalog uses two special reference number formats, one to indicate parts in a service assembly and another to indicate the quantity of a given part in an illustration.

### Service Assembly Reference Numbers

Parts in service assemblies have reference numbers in the form **a:b**. The **a** represents the reference number of the entire service assembly and the **b** represents a sequential number unique to each part within the service assembly.

For example, a wheel assembly might be identified by reference number **6**, the tire by **6:1**, the valve by **6:2**, and the wheel by **6:3**. When you order the assembly identified by reference number **6**, you receive all parts identified by reference numbers **6:1**, **6:2**, and **6:3**. However, you may also order any part individually.

Reference numbers of this type appear in illustrations and in part lists.

### Reference Numbers Indicating Quantity

In an illustration, if a reference number indicates more than one part, the reference number has the form **nX y**. The **n** represents the quantity of the part, the **X** is the multiplication symbol, and the **y** represents the reference number.

For example, in an illustration, the reference number **2X 37** means that two of the parts identified by reference number **37** are indicated.

## Contents

<b>Description</b>	<b>Page</b>	<b>Description</b>	<b>Page</b>
Foot Rest and Pedal Assembly .....	4	Hydraulic Circuit-Lift Arms .....	54
Foot Pad Assembly .....	6	Hydraulic Circuit-Lift Arms .....	55
Steering Tower Assembly .....	7	Hydraulic Circuit-Cutting Units .....	56
Steering Control Assembly No. 99-9220 .....	8	Hydraulic Circuit-Cutting Units .....	57
Steering Tower Electrical Assembly .....	9	Electrical System Diagram .....	58
Fenders and Center Console Assembly .....	10	Electrical System Diagram .....	59
Instrument Panel Assembly .....	11	4 Wheel Drive Hydraulic Plumbing Assembly ..	60
Parking Brake, Throttle and Oil Filter Assembly	12	Hydraulic Manifold Assembly No. 92-2982 ....	62
Valve Control Assembly .....	14	Roll Over Protection System Assembly .....	63
Valve Motor Spool Assembly No. 63-4800 ....	16	Steering Axle Assembly (Model 03706 Only) ..	64
Control Valve Assembly No. 93-1432 .....	17	Hydraulic Cylinder Assembly No. 77-4800 ....	66
Priority Flow Control Valve Asm No. 58-5490 .	18	Chassis & Muffler Assembly (Model 03706 Only)	67
Seat Platform and Filler Cap Assembly .....	19	Crankcase Assembly .....	70
Seat Assembly No. 77-4860 .....	20	Oil Pan Assembly .....	71
Front and Rear Canopy Assembly .....	21	Cylinder Head Assembly .....	72
Radiator and Oil Cooler Assembly .....	23	Gear Case Assembly .....	73
Air Cleaner Assembly No. 93-7485 .....	25	Valve Cover Assembly .....	74
Fuel Filter Assembly No. 76-5300 .....	26	Main Bearing Case Assembly .....	75
Fuel Tank and Lower Body Assembly .....	27	Camshaft Assembly .....	76
Chassis & Muffler Assembly (Model 03707 Only)	28	Piston and Crankshaft Assembly .....	77
Front Carrier Assembly .....	30	Flywheel Assembly .....	78
Push Rod Assembly .....	31	Fuel Camshaft Assembly .....	79
Reel Shut-off Valve Assembly No. 58-5460 ...	32	Engine Stop Lever Assembly .....	80
No. 2 and 3 Lift Arms Assembly .....	33	Injection Pump Assembly .....	81
Reel Motor Assembly No. 93-1412 .....	34	Injection Pump Assembly No. 98-7606 .....	82
Hydraulic Cylinder Assembly No. 104-5225 ....	35	Governor Assembly .....	83
No. 1, 4 and 5 Lift Arms Assembly .....	36	Speed Control Plate Assembly .....	84
Traction Drive Assembly .....	38	Nozzle Holder and Glow Plug Assembly .....	85
Wheel Motor Assembly No. 58-5430 .....	39	Nozzle Holder Assembly No. 98-7688 .....	86
Steering Axle Assembly (Model 03707 Only) ..	40	Fuel Pump Assembly .....	88
Tie Rod Assembly No. 82-9260-03 .....	43	Alternator and Pulley Assembly .....	89
Hydraulic Motor Assembly No. 92-4724 ....	44	Alternator Assembly No. 98-7693 .....	90
Hydraulic Cylinder Assembly No. 92-6057 ....	45	Starter Assembly .....	91
Engine Mounting Assembly .....	46	Starter Assembly No. 98-7734 .....	92
Engine Assembly .....	47	Oil Switch and Plug Assembly .....	93
Hydraulic Pump Components .....	48	Water Flange and Thermostat Assembly .....	94
Gear Pump Assembly No. 99-6495 .....	49	Water Pump Assembly .....	95
Pump Assembly No. 86-6000 .....	51	Valve and Rocker Assembly .....	96
Hydraulic Circuit-Traction and Steering Circuit	52	Inlet Manifold Assembly .....	97
Hydraulic Circuit-Traction and Steering Circuit	53	Exhaust Manifold Assembly .....	98

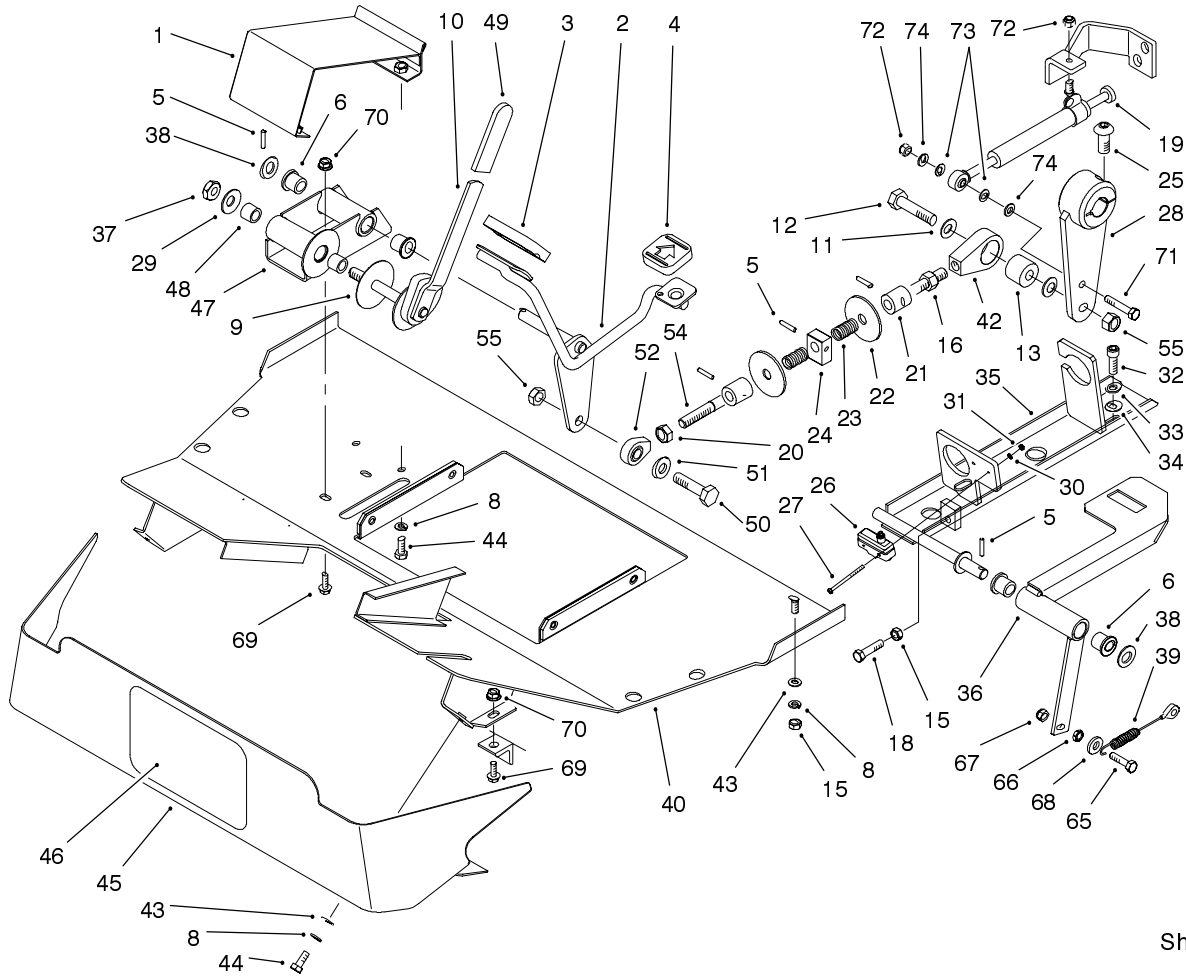
## Accessories

Description	Model / Part No.	Description	Model / Part No.
Fixed Head Kit .....	03762	Skid Kit .....	03744
Whole Front Roller Kit .....	03740	Rear Roller Scraper Kit .....	59-6090
Front Roller Kit .....	03742	Front Roller Scraper Kit .....	62-6220
Floatation Kit .....	03760	Spark Arrester Muffler (2wd) .....	74-2900
Sectional Front Roller Kit .....	03738	Spark Arrester Muffler (4wd) .....	92-6074

## Part Description Abbreviations

Part descriptions in this catalog may include the following abbreviations.

Abbreviation	Meaning	Abbreviation	Meaning
AR .....	as required	INC .....	incorporated
ASM .....	assembly	LH .....	left hand
CARR .....	carriage	NI .....	nylon insert
DEG .....	degrees	PPH .....	Phillips pan head
FH .....	flat head	PTH .....	Phillips truss head
GA .....	gauge	PTO .....	power take off
HF .....	hex flange	RH .....	right hand
HH .....	hex head	SFH .....	slotted fillister head
HHF .....	hex head flange	SHH .....	slotted hex head
HLH .....	hex lag head	SQH .....	square head
HJ .....	hex jam	SHWH .....	slotted hex washer head
HOC .....	height-of-cut	SPH .....	slotted pan head
HS .....	hex socket	SRH .....	slotted round head
HSBH .....	hex socket button head	STD .....	standard
HSFH .....	hex socket flat head	TAP .....	self tapping
HSH .....	hex socket head	TTH .....	Torx truss head
HWH .....	hex washer head	WH .....	wing head
HWHTF .....	hex washer head thread forming		



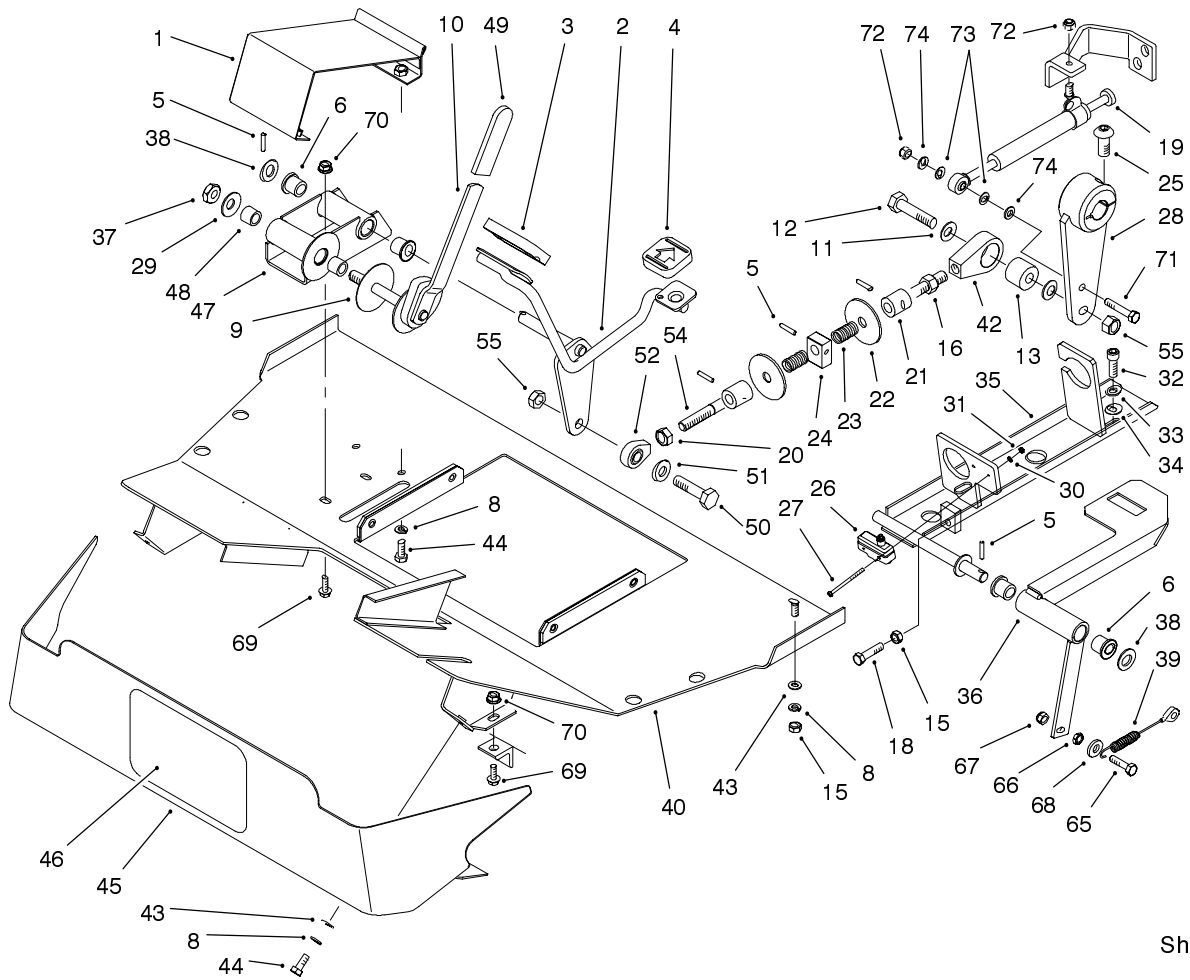
Sheet No.:2

T-3647

## Foot Rest and Pedal Assembly

Ref. No.	Part No.	Qty.	Description
1	58-9580-03	1	Rest-Foot
2	60-0640-01	1	Pedal-Traction
3	74-9100	1	Pad-Pedal, Forward
4	74-9110	1	Pad-Pedal, Reverse
5	60-2110	5	Pin
6	48-6790	4	Bearing
8	42-9850	10	Washer-Lock, Spring
9	3-2858	1	Disc-Friction
10	60-1130	1	Lever-Gsc
11	3290-483	3	Washer
12	325-9	1	Screw-HH
13	47-7030	1	Bushing-Rubber
15	33014-00	5	Nut-Hex
16	3217-9	1	Nut-HH
18	48-7740	2	Screw
19	48-7100	1	Damper-Steering
20	3219-5	1	Nut-Hex
21	58-4310	2	Collar-Pinned
22	58-5100	2	Washer-Traction
23	60-5700	2	Spring
24	58-9010	1	Tab-Clamp
25	3274-89	1	Screw-HSH
26	29-6163	2	Switch-Micro
27	3250-40	2	Screw-SPH
28	98-1209-03	1	Lever-Pump
29	60-6990	1	Washer

Ref. No.	Part No.	Qty.	Description
30	3255-24	2	Washer-Lock/Ext
31	3217-29	2	Nut-Hex
32	3274-7	2	Screw-HSH
33	3253-5	2	Washer-Lock
34	3256-24	2	Washer-Flat
35	60-0730-01	1	Bracket-Neutral Lock
36	92-9228-03	1	Lever
37	3296-19	1	Nut-Lock NI
38	60-6740	3	Washer
39	92-9221	1	Cable ASM
40	92-4730-03	1	Plate-Floor
42	60-0760	1	Clevis-Rod, Traction
43	33094-00	8	Washer-Flat
44	33114-020	7	Screw-HH
45	58-0400-01	1	Shroud
46	62-7400	1	Decal-Toro
47	60-0600-03	1	Bracket-Pivot
48	60-1110	2	Bushing
49	3-7877	1	Grip-Handle
50	325-7	1	Screw-HH
51	3256-26	1	Washer-Flat
52	2411-44	1	End-Rod
54	76-3430	1	Rod-Traction
55	3296-25	2	Nut-Lock NI
65	322-6	1	Screw-HH
66	3218-2	1	Nut-Jam

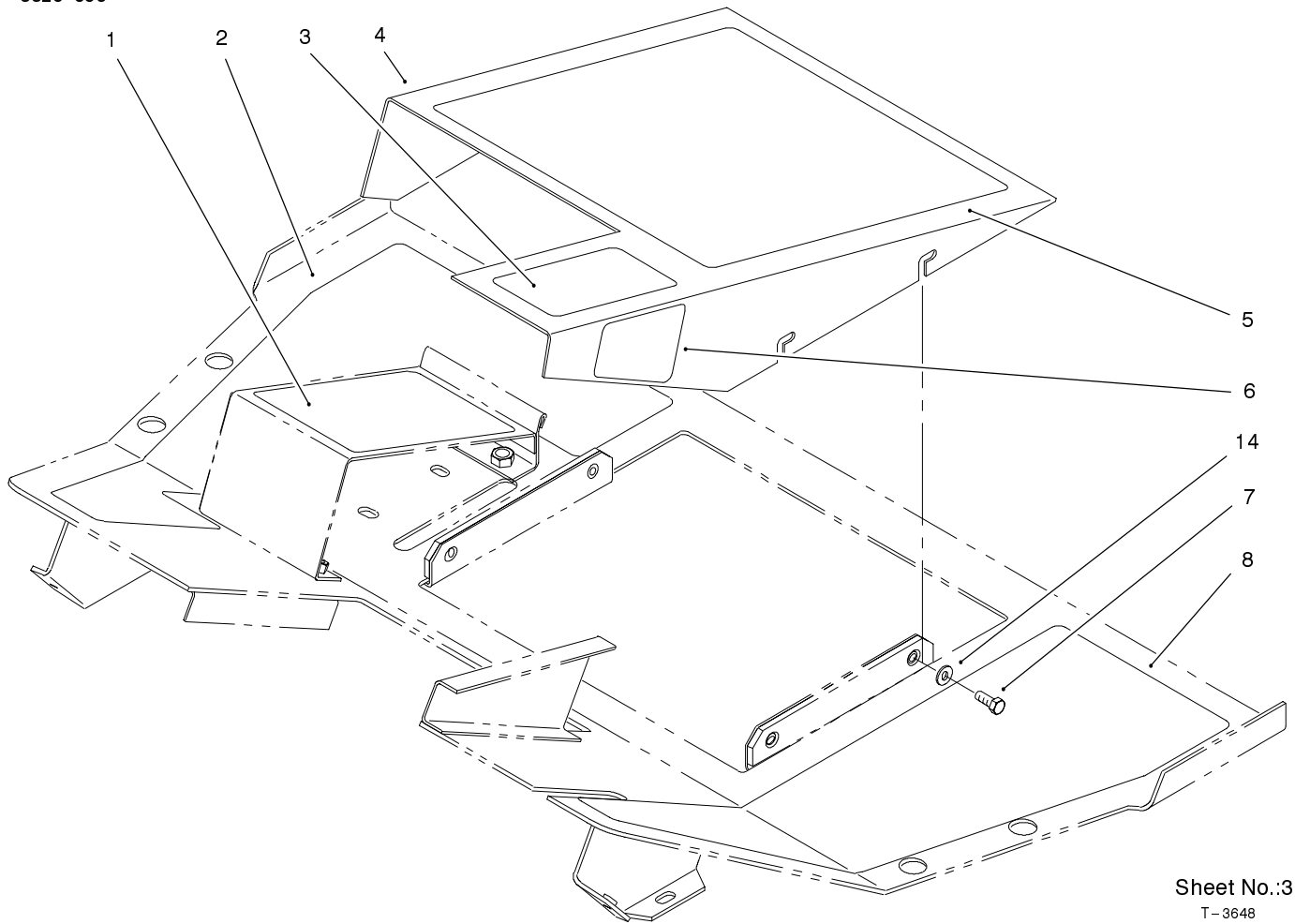


Sheet No.:2  
T-3647

### Foot Rest and Pedal Assembly (Continued)

Ref. No.	Part No.	Qty.	Description
67	3296-29	1	Nut-Lock
68	3256-3	1	Washer-Flat
69	3234-5	4	Screw-HHF
70	32128-20	4	Nut-HF
71	33114-045	1	Screw-HH
72	33024-00	2	Nut-Lock
73	3290-482	2	Washer-Belleville
74	33094-00	2	Washer-Flat

Ref. No.	Part No.	Qty.	Description

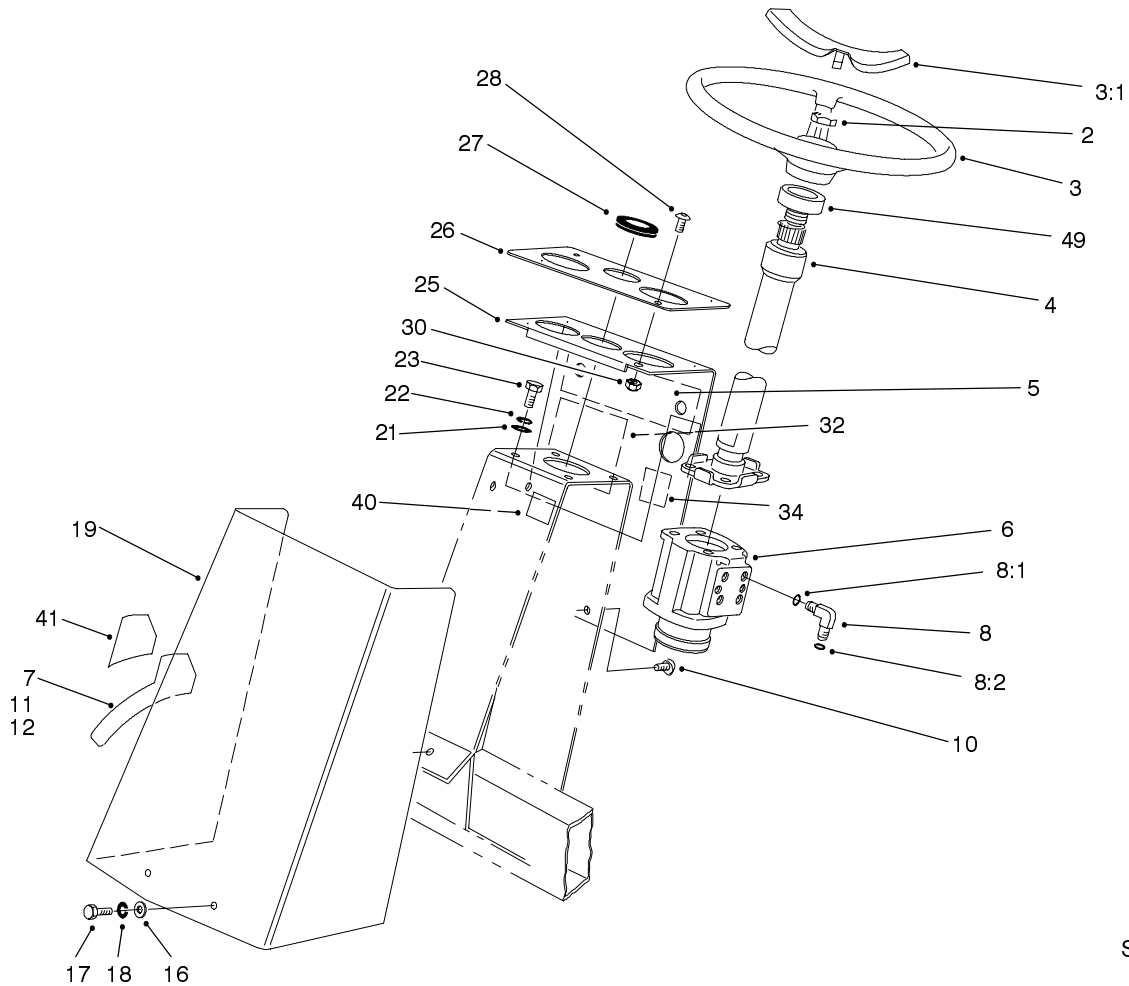


Sheet No.:3  
T-3648

## Foot Pad Assembly

Ref. No.	Part No.	Qty.	Description
1	59-7280	1	Pad-Pedal, Traction
2	58-6510	1	Pad-Footrest, RH
3	62-6440	1	Pad-Foot
4	58-7390-03	1	Footrest
5	58-6630	1	Pad-Floor, Center
6	93-9409	1	Decal-Latch
7	33113-016	3	Screw-HH
8	58-6620	1	Pad-Footrest, LH
14	3256-16	3	Washer-Flat

Ref. No.	Part No.	Qty.	Description



Sheet No.:4

T-3649

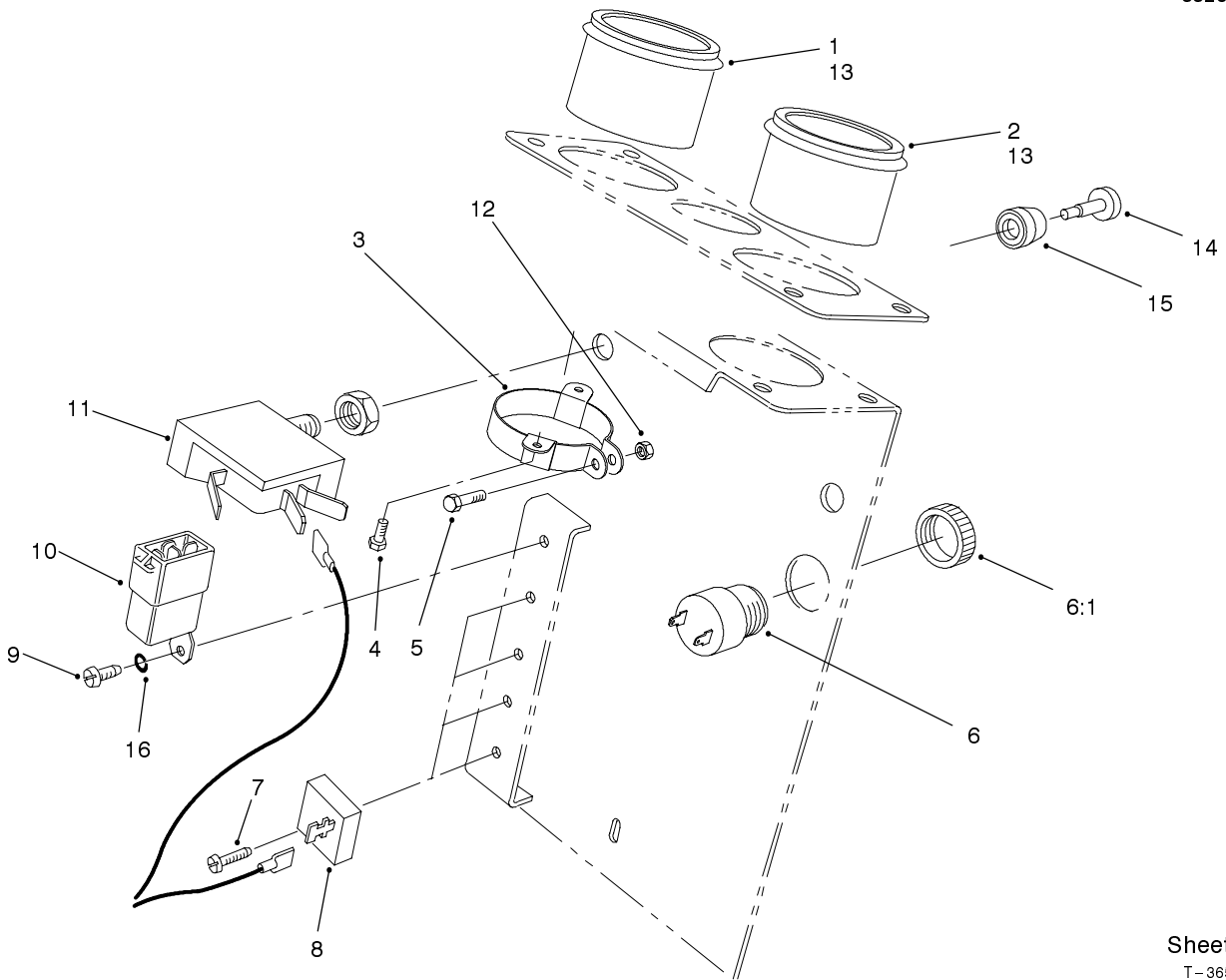
## Steering Tower Assembly

Ref. No.	Part No.	Qty.	Description
2	94-9952	1	Nut-Hex
3	94-3500	1	Wheel-Steering, 14"
3:1	88-3870	1	Cover-Wheel
4	98-3808	1	Column-Steering
5	93-9399	1	Decal
6	92-9220	1	Steering Control ASM
7	93-9397	1	Decal-Ground Speed
8	340-18	4	Fitting-Hyd, 90°
8:1	237-79	1	O-Ring
8:2	237-22	1	O-Ring
10	60-3260	1	Screw
11	63-4330	1	Decal-Overlay, 5 Blade
12	63-4340	1	Decal-Overlay, 11 Blade
16	33093-00	2	Washer-Flat
17	33113-012	2	Screw-HH
18	43-5930	2	Washer-Spring
19	58-0500-01	1	Cover-Valve, Steering
21	3256-24	4	Washer-Flat
22	3253-5	4	Washer-Lock
23	323-8	4	Screw-HH
25	82-9310-03	1	Panel-Display
26	82-5890	1	Panel-Face, Display
27	60-0790	1	Grommet
28	3274-31	4	Screw-HSBH

Ref. No.	Part No.	Qty.	Description
30	3296-42	4	Nut-Lock, NI
32	92-5524	1	Decal-Noise Rating
34	63-9920	1	Decal-Level, Noise
40	93-7252	1	Decal-International
41	93-9427	1	Decal-5 Blade Clip
49	21-9260	1	Cover-Dust



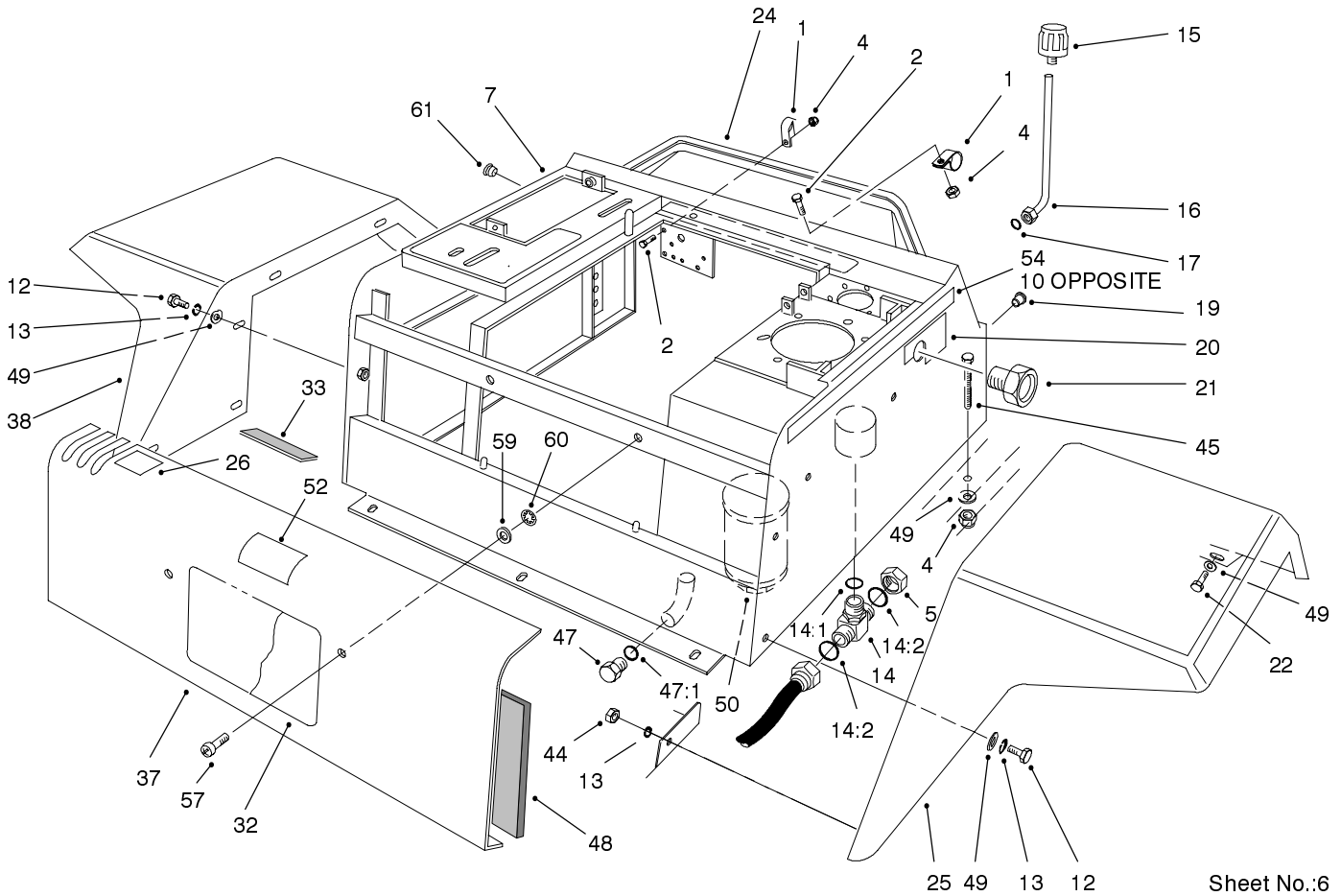




Sheet No.:5  
T-3651

## Steering Tower Electrical Assembly

Ref. No.	Part No.	Qty.	Description	Ref. No.	Part No.	Qty.	Description
1	93-1434	1	Gauge-Cluster Warning				
2	93-1435	1	Gauge-Cluster Warning				
3	69-4780	2	Clamp-Gauge				
4	32144-19	4	Screw-Thread Forming				
5	32105-12	2	Screw				
6	80-9330	1	Alarm - Audio				
6:1	104-5107	1	Nut-Plastic, Knurled				
7	3251-4	4	Screw				
8	37-7600	4	Rectifier-Bridge				
9	3251-1	1	Screw-PPH				
10	70-1480	1	Relay				
11	43-6290	2	Switch				
12	3296-2	2	Nut-Lock				
13	219-17	8	Bulb				
14	43-6280	2	Button-Push				
15	43-6420	2	Bezel				
16	3253-2	1	Washer-Lock/Sp				

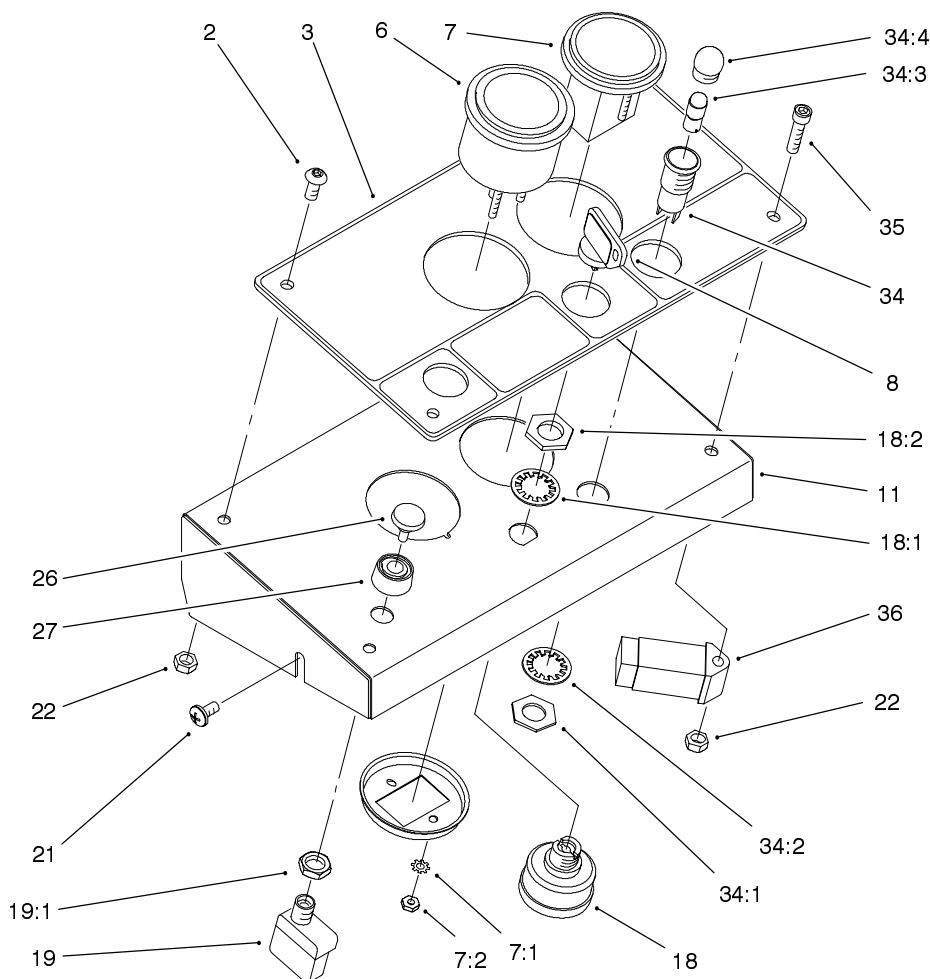


Sheet No.:6  
T-3652

## Fenders and Center Console Assembly

Ref. No.	Part No.	Qty.	Description
1	2412-106	2	Clamp-R
2	321-5	2	Screw-HH
4	3296-42	4	Nut-Lock, NI
5	340-117	1	Cap (only on: 03706)
7	92-9273-03	1	Console-Center
10	86-6490	1	Decal - 4wd, RH (only on: 03707)
12	33113-016	10	Screw-HH
13	43-5930	10	Washer-Spring
14	92-4799	1	Fitting - Hyd, Tee
14:1	237-79	1	O-Ring
14:2	237-22	2	O-Ring
15	68-6150	1	Breather-Air
16	98-3844	1	Breather Tube ASM
17	237-65	1	O-Ring
19	32148-6	4	Nut-Insert
20	93-9406	1	Decal-Sight Glass
21	58-5940	1	Plug-Sight Gage
22	48-6900	4	Screw
24	92-5682	1	Strip-Sealing
25	58-0980-01	1	Mudguard-LH
26	93-9407	1	Decal-Lift Lever
32	93-9408	1	Decal-Operation Warning
33	68-7840	1	Strip-Sealing
37	58-1750-03	1	Panel-Access

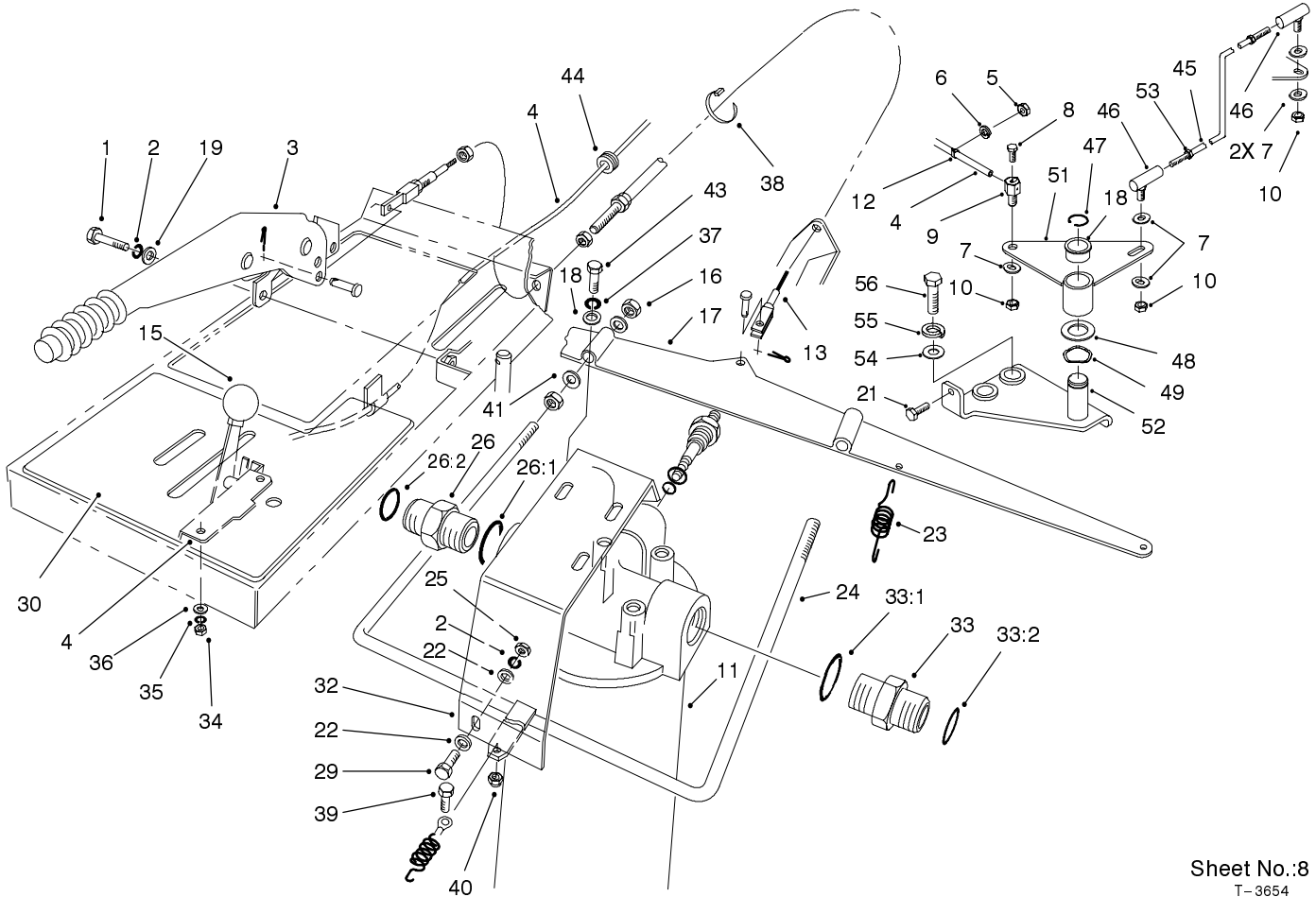
Ref. No.	Part No.	Qty.	Description
38	92-4746-01	1	RH Mudguard ASM
44	48-7890	2	Nut
45	321-24	2	Screw-HH
47	58-9160	1	Plug-Drain
47:1	237-80	1	O-Ring
48	68-7810	1	Panel-Lining
49	3256-22	14	Washer-Flat
50	48-7120	1	Element-Suction
52	93-9425	1	Decal-Danger
54	92-5699	1	Decal - 4wd, LH (only on: 03707)
57	3250-36	2	Screw-PPH
59	3256-3	2	Washer-Flat
60	32151-72	2	Ring-Retaining
61	92-6059	5	Plug-Button



Sheet No.:7  
T-3653

## Instrument Panel Assembly

Ref. No.	Part No.	Qty.	Description	Ref. No.	Part No.	Qty.	Description
2	3274-31	3	Screw-HSBH				
3	98-3830	1	Plate-Face, Instrument				
6	98-9339	1	Gauge-Fuel				
7	66-2950	1	Gauge-Hourmeter				
7:1	3255-20	2	Washer-Lock				
7:2	3217-25	2	Nut-Hex				
8	63-8360	1	Key-Ignition				
11	98-3829-03	1	Panel-Instrument				
18	88-9830	1	Switch-Ignition				
18:1	3254-5	1	Washer-Lock, Internal				
18:2	218-461	1	Nut-HH				
19	72-9760	1	Switch				
19:1	218-498	1	Locknut-Hex				
21	60-2170	2	Screw				
22	3296-42	4	Nut-Lock, NI				
26	43-6280	1	Button-Push				
27	43-6420	1	Bezel				
34	44-2210	1	Light-Indicator, Red				
34:1	218-535	1	Nut-Hex				
34:2	218-536	1	Washer-Lock				
34:3	93-7480	1	Led-Miniature Bayonet				
34:4	218-533	1	Lens				
35	3274-9	1	Screw-HSH				
36	98-7611	1	Controller-Glow				

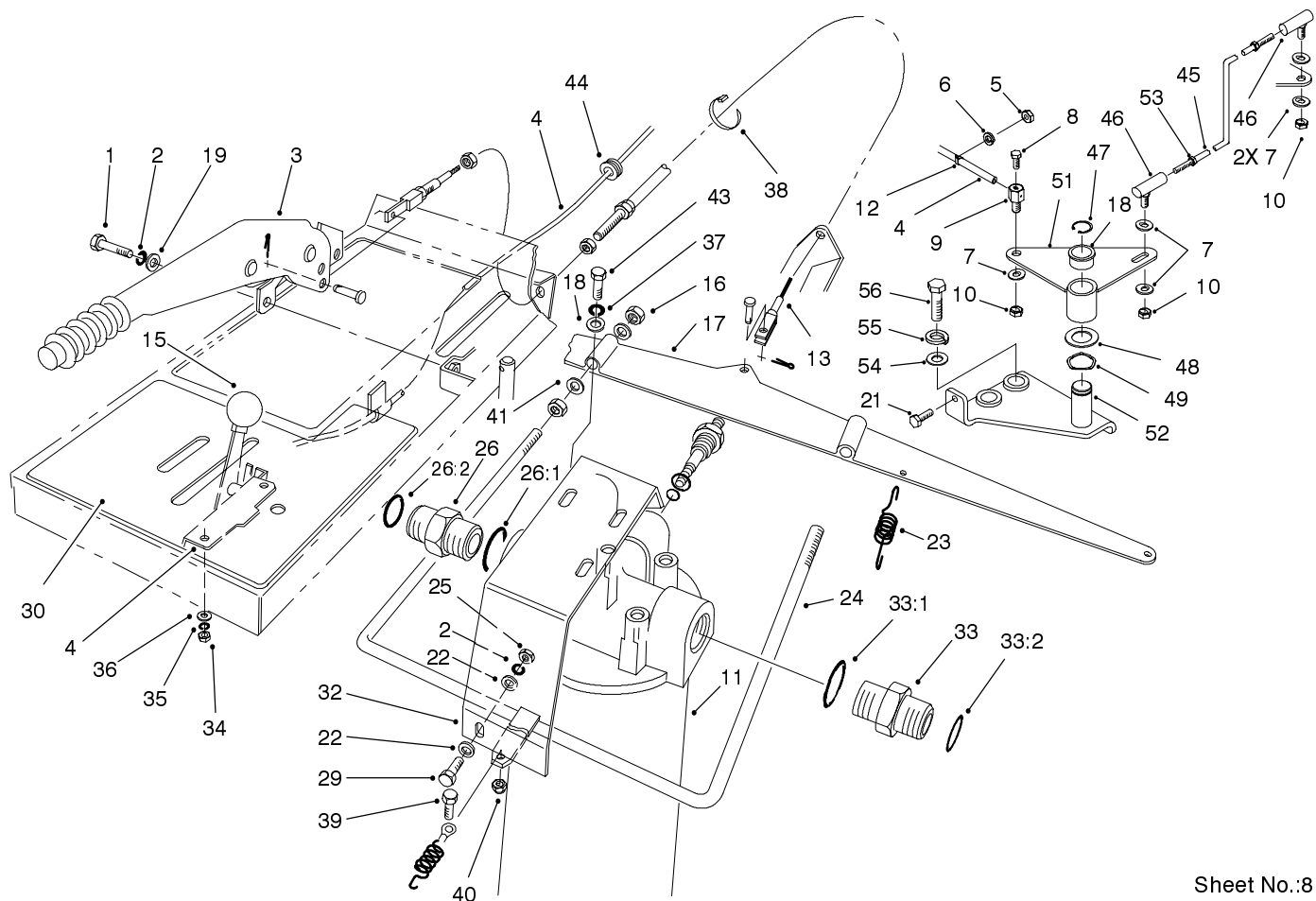


Sheet No.:8  
T-3654

## Parking Brake, Throttle and Oil Filter Assembly

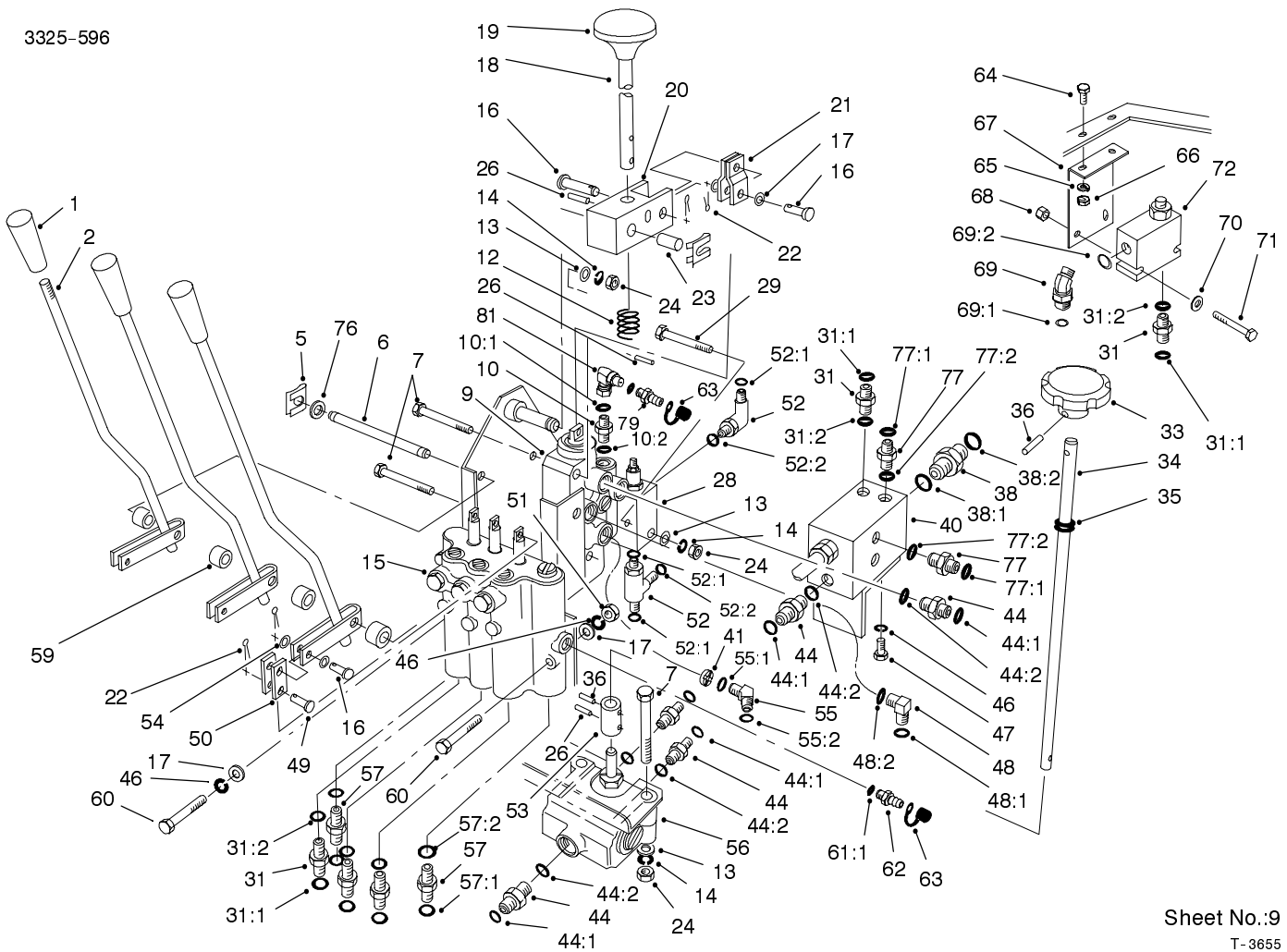
Ref. No.	Part No.	Qty.	Description
1	33114-016	2	Screw-HH
2	42-9850	4	Washer-Lock, Spring
3	53-6070	1	Lever-Brake
4	59-7240	1	Control-Throttle
5	3217-5	1	Nut-Hex
6	3253-3	1	Washer-Lock
7	3256-22	5	Washer-Flat
8	25-8640	1	Screw-HH
9	93-0021	1	Swivel-Cable, Throttle
10	3296-13	3	Nut-Lock NI
11	86-6090	1	Hydraulic Oil Filter ASM
12	2412-31	1	Clamp-Boden
13	92-9222	1	Cable-Handbrake
15	233-25	1	Knob-Control
16	3217-6	4	Nut-Hex
17	58-2170-03	1	Bar-Linkage, Brake
18	3256-3	3	Washer-Flat
19	33094-00	2	Washer-Flat
21	321-4	1	Screw-HH
22	3256-23	4	Washer-Flat
23	60-2140	2	Spring
24	92-9225	1	Yoke
25	3217-6	2	Nut-Hex
26	340-80	1	Adapter
26:1	237-123	1	O-Ring

Ref. No.	Part No.	Qty.	Description
26:2	340-65	1	O Ring
29	322-6	2	Screw-HH
30	93-9402	1	Panel - Side Control
32	84-6470-03	1	Bracket - Filter
33	340-10	1	Adapter
33:1	237-123	1	O-Ring
33:2	340-64	1	Ring
34	48-7880	2	Nut-Hex
35	48-8000	2	Washer-Lock
36	52-6430	2	Washer
37	3253-5	3	Washer-Lock
38	3290-378	1	Tie-Cable
39	11-9030	1	Screw-Shoulder
40	3296-42	1	Nut-Lock, NI
41	3256-23	4	Washer-Flat
43	323-5	3	Screw-HH
44	60-2370	1	Grommet
45	98-1261	1	Rod - Throttle
46	98-3845	2	Joint - Ball, Rod End
47	936125	1	Ring-Snap, External
48	67-9410	1	Washer
49	98-3846	1	Washer - Wave
50	256-252	2	Bearing-Flange
51	98-1257-03	1	Lever - Throttle
52	98-1256-03	1	Plate - Throttle



### Parking Brake, Throttle and Oil Filter Assembly (Cont.)

Ref. No.	Part No.	Qty.	Description
53	3220-1	2	Nut-Jam
54	3256-24	2	Washer-Flat
55	48-9590	2	Washer-Lock
56	56-2140	2	Bolt

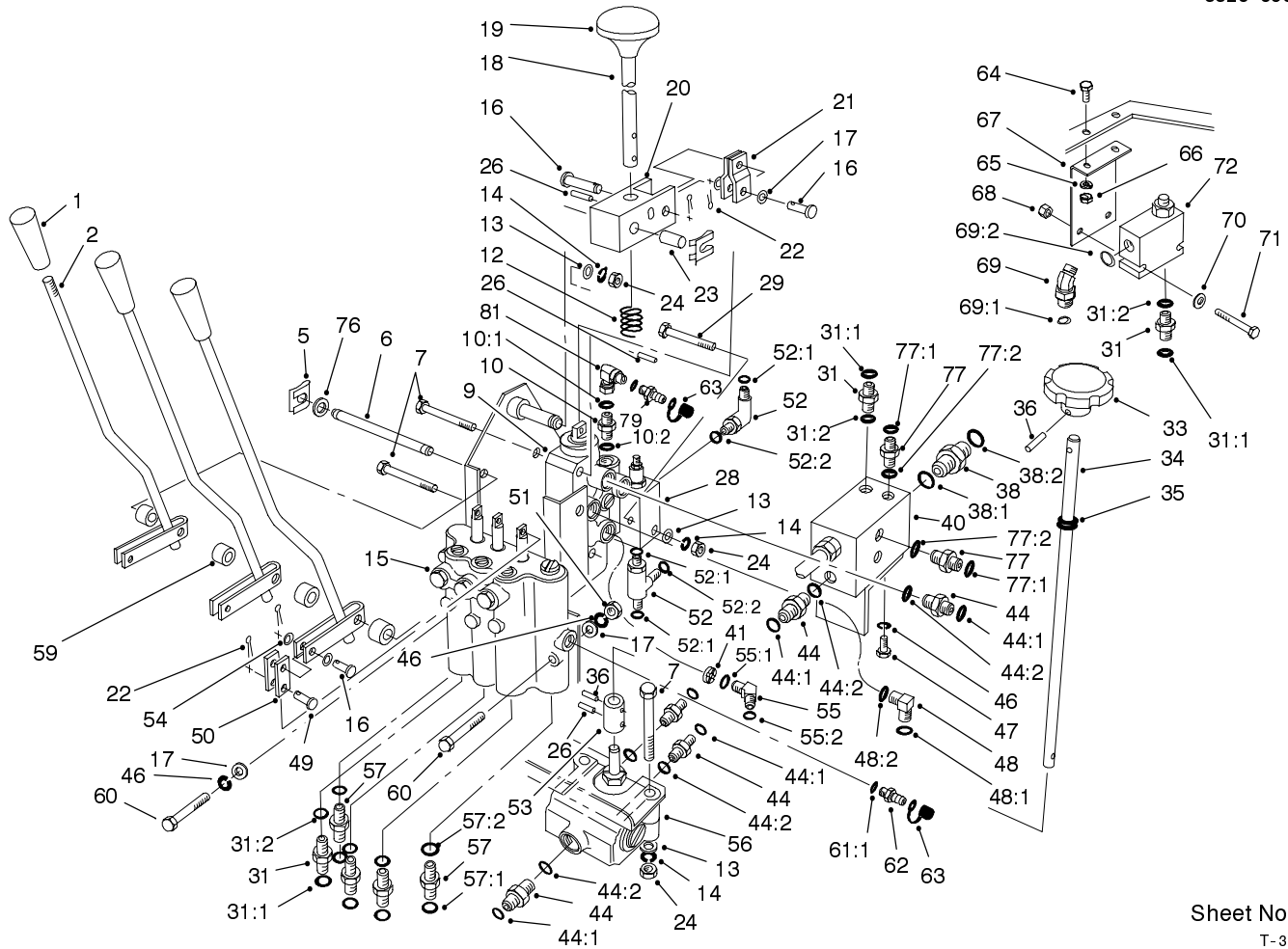


Sheet No.:9  
T-3855

## Valve Control Assembly

Ref. No.	Part No.	Qty.	Description
1	233-39	3	Knob-Control
2	74-3190	3	Lever-Lift
5	60-5690	3	Clip
6	58-1520	1	Pin
7	322-12	4	Screw-HH
9	63-4800	1	Valve Motor Spool
10	340-88	1	Adapter
10:1	237-22	1	O-Ring
10:2	237-78	1	O-Ring
12	58-7190	1	Spring
13	3256-23	5	Washer-Flat
14	3253-4	5	Washer-Lock
15	93-1432	1	3 Spool Valve ASM
16	58-3830	5	Pin
17	33093-00	4	Washer-Flat
18	58-4450	1	Lever
19	233-10	1	Knob-Lever
20	58-4460	1	Clevis
21	58-1570	2	Link
22	3272-1	8	Pin-Cotter
23	60-0550	1	Bushing
24	3217-6	5	Nut-Hex
26	32121-118	3	Pin-Roll
28	58-5520	1	Valve-Relief, Adjustable
29	322-9	1	Screw-HH

Ref. No.	Part No.	Qty.	Description
31	340-2	5	Adapter
31:1	237-22	3	O-Ring
31:2	237-42	3	O-Ring
33	59-7130	1	Knob-Control, Speed
34	58-1510	1	Shaft
35	59-7910	1	Grommet
36	60-2110	2	Pin
38	340-80	1	Adapter
38:1	237-123	1	O-Ring
38:2	340-65	1	O Ring
40	58-2150	1	Block-Manifold
41	66-5410	1	Orifice
44	340-7	6	Adapter
44:1	237-65	4	O-Ring
44:2	237-80	4	O-Ring
46	43-5930	4	Washer-Spring
47	33113-016	2	Screw-HH
48	340-17	2	Adapter
48:1	237-65	1	O-Ring
48:2	237-80	1	O-Ring
49	58-3810	3	Pin
50	58-1560	6	Link
51	48-7890	1	Nut
52	340-86	2	Fitting-Tee
52:1	237-22	2	O-Ring
52:2	237-42	1	O-Ring

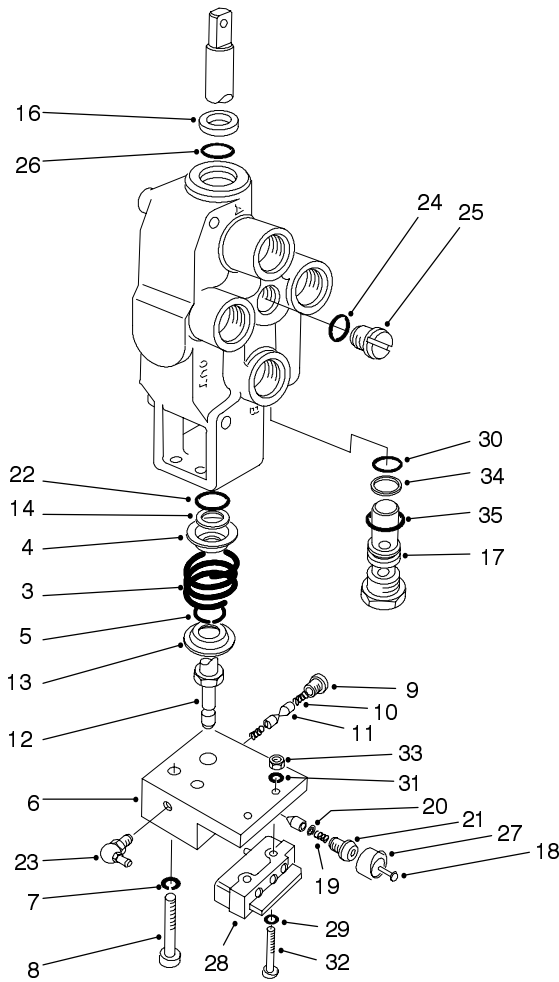


Sheet No.:9  
T-3655

## Valve Control Assembly (Continued)

Ref. No.	Part No.	Qty.	Description
53	93-7768	1	Coupling
54	52-6430	6	Washer
55	66-5860	1	Adapter-45°
55:1	237-80	1	O-Ring
55:2	237-65	1	O-Ring
56	58-5490	1	Control-Valve, Flow
57	340-3	2	Adapter
57:1	237-22	1	O-Ring
57:2	237-79	1	O-Ring
59	58-1540	4	Spacer
60	33113-050	2	Screw-HH
62	59-7410	1	Tip-Nipple, Diag.
62:1	237-42	1	O-Ring
63	353-947	3	Cap-Dust, Rubber
64	321-3	2	Screw-HH
65	3253-3	2	Washer-Lock
66	3217-5	2	Nut-Hex
67	63-4690-03	1	Bracket-Valve
68	3296-8	2	Nut-Lock NI
69	340-87	1	Fitting-45°
69:1	237-22	1	O-Ring
69:2	237-42	1	O-Ring
70	3256-22	2	Washer-Flat
71	321-11	2	Screw-HH
72	63-4700	1	Valve-Flow, Regulator
76	3256-24	2	Washer-Flat

Ref. No.	Part No.	Qty.	Description
77	92-9258	3	Check-Adapter
77:1	237-22	1	O-Ring
77:2	237-42	1	O-Ring
79	86-5480	2	Nipple-Test
81	98-1281	1	Adapter-Hyd, 90°



Parts not listed in partslist are not serviced seperately.

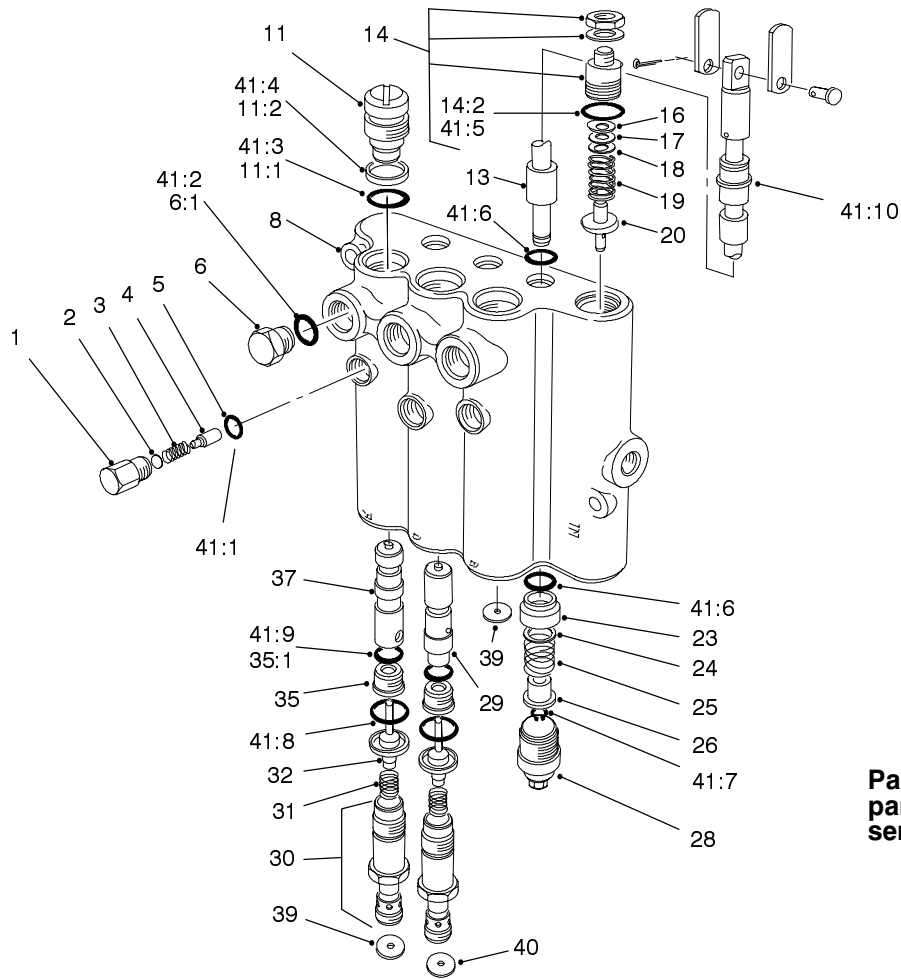
Sheet No.:A2  
T-3656

## Valve Motor Spool Assembly No. 63-4800

Ref. No.	Part No.	Qty.	Description
3	59-8040	1	Spring
4	59-8080	1	Washer
5	59-8170	1	Washer
6	63-4820	1	Block-Detent
7	59-8070	2	Lockwasher
8	63-4830	2	Capscrew
9	59-8060	1	Plug
10	59-8050	2	Spring
11	59-8150	3	Pawl
12	63-4840	1	Screw-Detent
13	59-8100	1	Washer
14	59-8180	1	Washer
16	59-8190	1	Wiper
17	63-4780	1	Valve
18	63-4850	1	Plunger
19	63-4510	1	Spring
20	63-4860	1	Circlip
21	59-8230	1	Plug
22	59-7780	1	Ring
23	302-66	1	Fitting-Grease
24	59-8140	1	Ring
25	59-8160	1	Plug
26	59-8120	1	Ring
27	66-5420	1	Sleeve
28	60-4550	1	Switch-Micro
29	3256-13	2	Washer

Ref. No.	Part No.	Qty.	Description
30	63-4440	1	O-Ring
31	3253-19	2	Washer-Lock/Sp
32	66-5430	2	Screw
33	66-5440	2	Nut-Hex
34	59-7860	1	Washer
35	42-1220	1	O-Ring



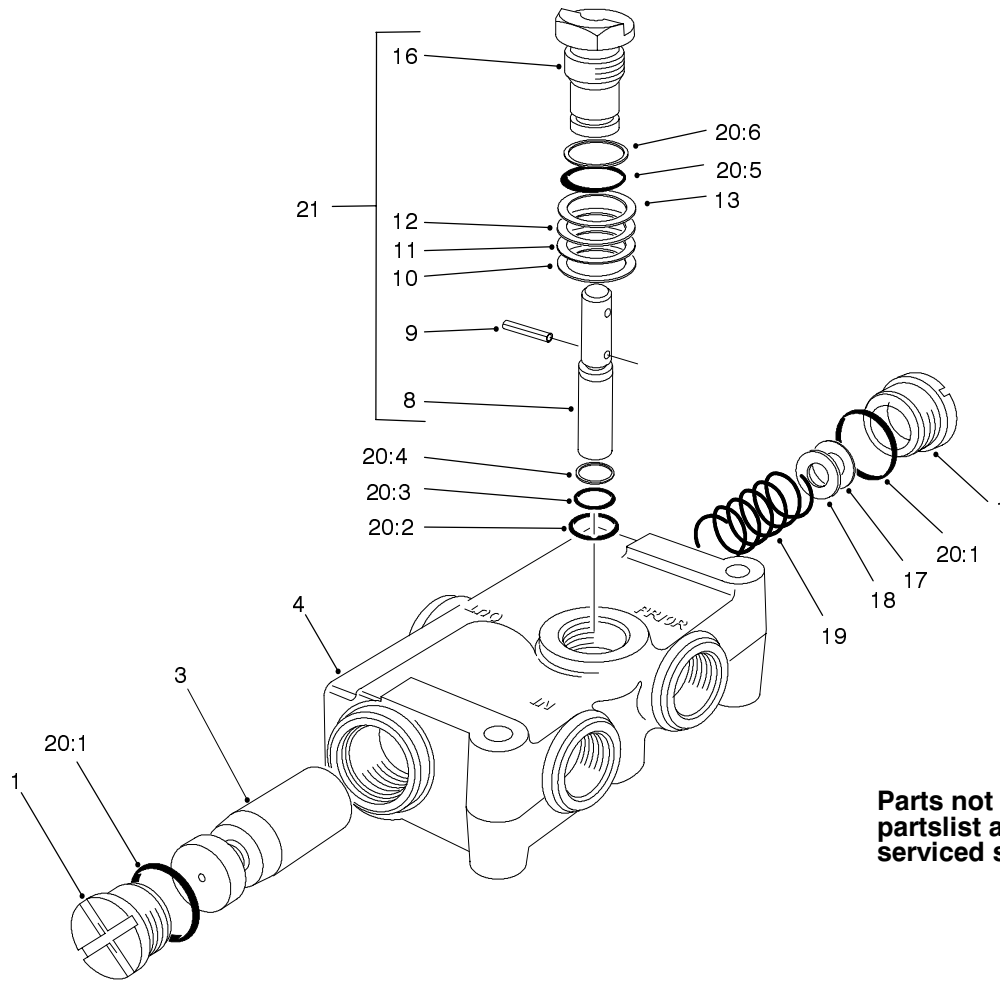


Sheet No.:A3

T-3657

## Control Valve Assembly No. 93-1432

Ref. No.	Part No.	Qty.	Description	Ref. No.	Part No.	Qty.	Description
1	58-6780	3	Plug	32	60-6440	3	Eyelet
1:1	58-6790	1	O-Ring	35	58-6330	3	Seat
2	60-6450	1	Disc	35:1	58-6340	1	O-Ring
3	58-6760	3	Spring	37	84-6420	2	Plunger
4	58-6770	3	Plunger	39	84-6400	2	Disc-Orifice
5	58-6790	3	O-Ring	40	84-6401	1	Disc-Orifice
6	353-508	3	Plug-O-Ring	41	60-3780	1	Seal Kit
6:1	237-42	1	O-Ring	41:1	58-6790	3	O-Ring
11	58-6350	3	Plug	41:2	58-6720	3	O Ring
11:1	60-5720	1	Ring	41:3	60-5720	6	Ring
11:2	58-6370	1	Washer	41:4	58-6310	6	Spacer
14	69-1830	1	Plug ASM	41:5	58-6750	1	O Ring
14:2	58-6750	1	O Ring	41:6	58-6450	6	O-Ring
16	58-6470	1	Washer	41:7	58-6460	3	Ring
17	58-6480	1	Washer	41:8	58-6290	3	Poppet
18	58-6490	1	Washer	41:9	58-6340	3	O-Ring
19	84-6450	1	Spring	41:10	58-6320	3	Wiper
20	58-6440	1	Poppet				
23	58-6400	3	Bushing				
24	58-6700	3	Washer				
25	58-6730	3	Spring				
26	58-6310	3	Spacer				
28	58-6420	3	Cap				
29	84-6430	1	Plunger				
30	58-6380	3	Plug				
31	58-6410	3	Spring				



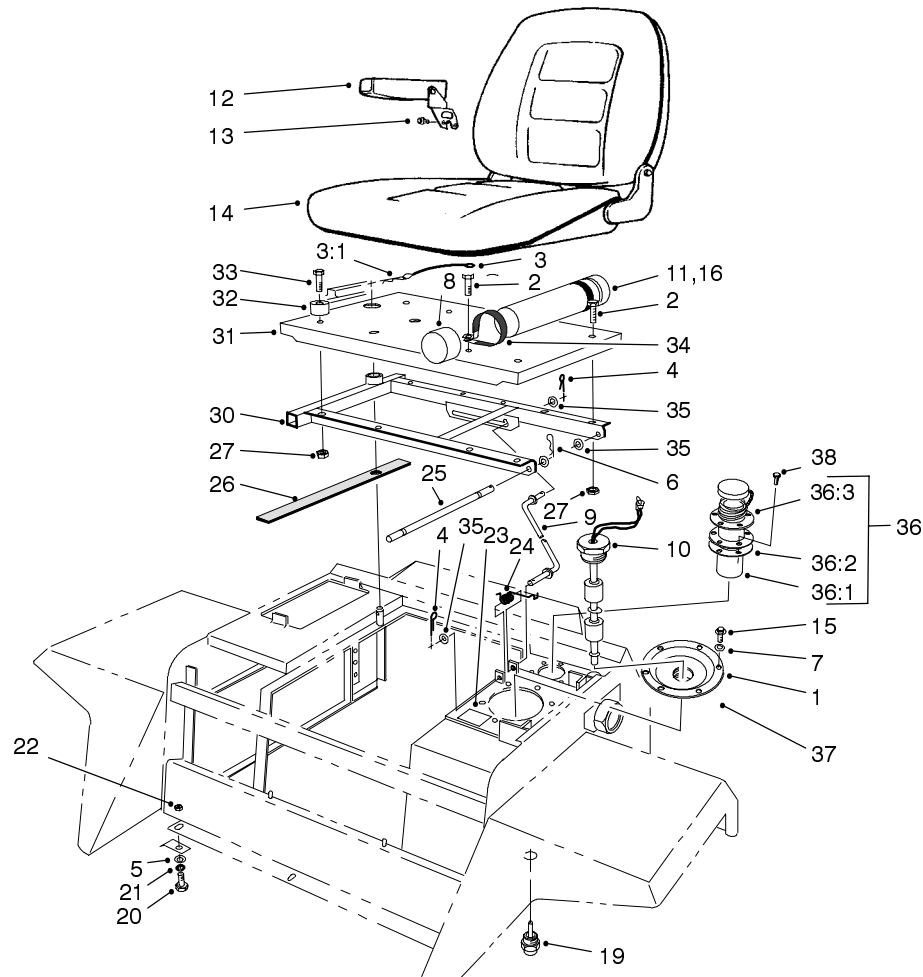
Sheet No.:A4

T-3658

### Priority Flow Control Valve Assembly No. 58-5490

Ref. No.	Part No.	Qty.	Description
1	59-7600	2	Plug
13	59-7720	1	Washer
17	59-7750	1	Washer
18	59-7760	1	Washer
19	59-7770	1	Spring
20	63-4520	1	Seal Kit
20:1	59-7610	2	Ring
20:2	59-7640	1	Ring
20:3	59-7650	1	Ring
20:4	60-5950	1	Washer
20:5	59-7780	1	Ring
20:6	58-6370	1	Washer
21	94-8265	1	Plug-Metering

Ref. No.	Part No.	Qty.	Description

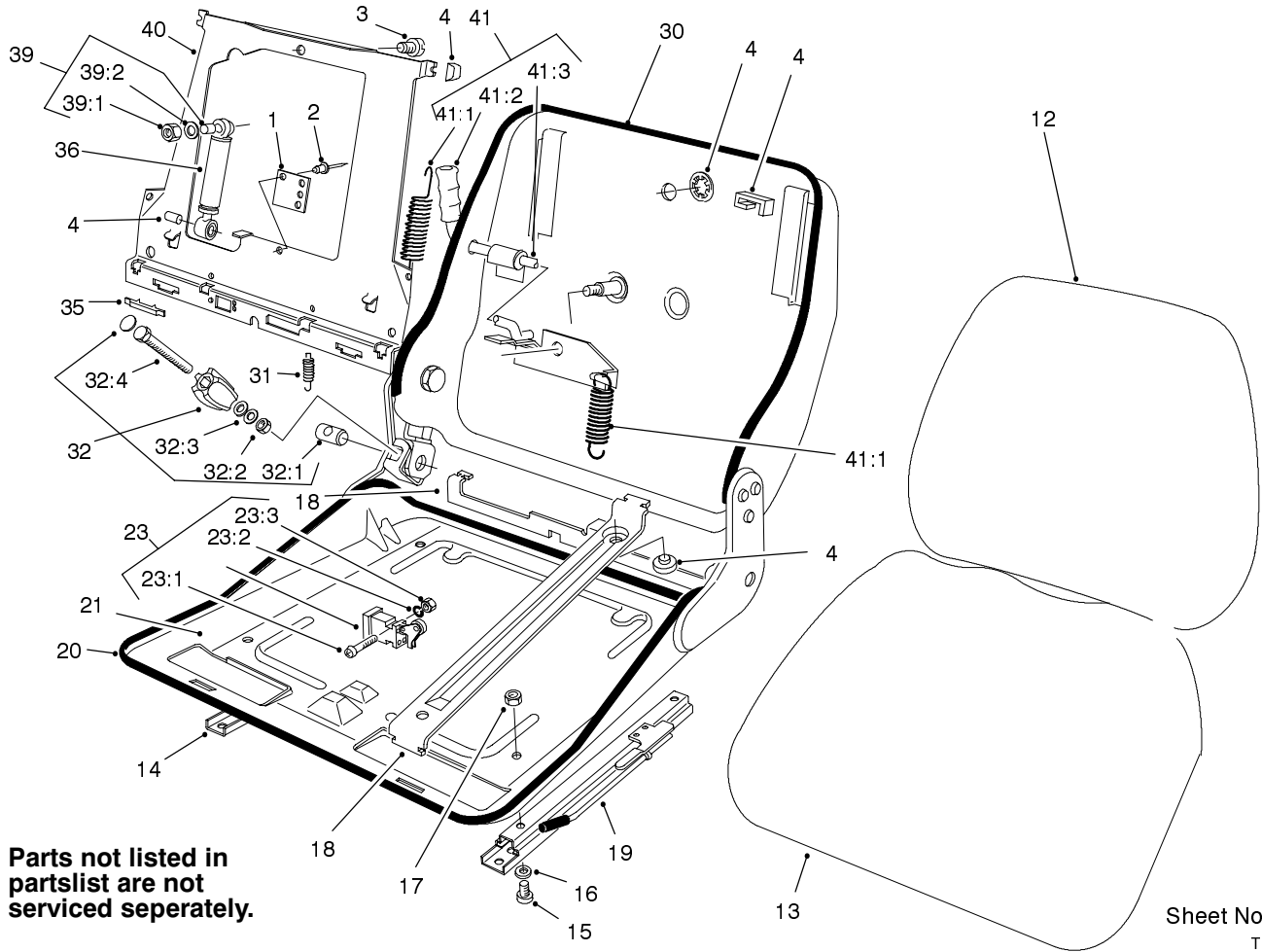


Sheet No.:10

T-3659

## Seat Platform and Filler Cap Assembly

Ref. No.	Part No.	Qty.	Description	Ref. No.	Part No.	Qty.	Description
1	92-9200	1	Cover	30	58-1580-03	1	Seat-Frame
2	3234-5	6	Screw-HHF	31	58-9830-01	1	Plate-Seat
3	60-2160	1	R-Clip ASM	32	26-4840	4	Spacer-Pin, Mounting
3:1	3290-355	1	Pin-Hair	33	322-6	4	Screw-HH
4	3272-11	2	Pin-Cotter	34	2412-102	2	R-Clamp
5	3256-24	2	Washer-Flat	35	3256-24	5	Washer-Flat
6	3290-250	2	Pin-Hair Cotter	36	71-4040	1	Hydraulic Filler ASM
7	3253-15	6	Washer-Lock/Sp	36:1	62-2610	1	Strainer-Cap, Filler
8	65-5890	2	Cap-End	36:2	353-963	2	Gasket
9	58-1650	1	Rod-Seat	36:3	353-961	1	Flange
10	82-9340	1	Level Switch ASM	37	58-6820	1	Gasket
11	65-5870	1	Tube	38	32144-107	6	Screw
12	55-4660	1	Armrest				
13	56-3850	4	Screw				
14	77-4860	1	Seat ASM				
15	46-0670	6	Screw-PPH				
16	323-13	5	Screw-HH				
19	60-5580	1	Switch-Temperature				
20	323-7	2	Screw-HH				
21	3253-21	2	Washer-Lock				
22	32128-21	2	Nut-HF				
23	93-6686	1	Decal-Oil, Hydraulic				
24	60-0050	1	Spring-Seat Tray				
25	58-1640	1	Pin-Seat Pivot				
26	68-7850	1	Strip-Sealing				
27	32128-20	10	Nut-HF				



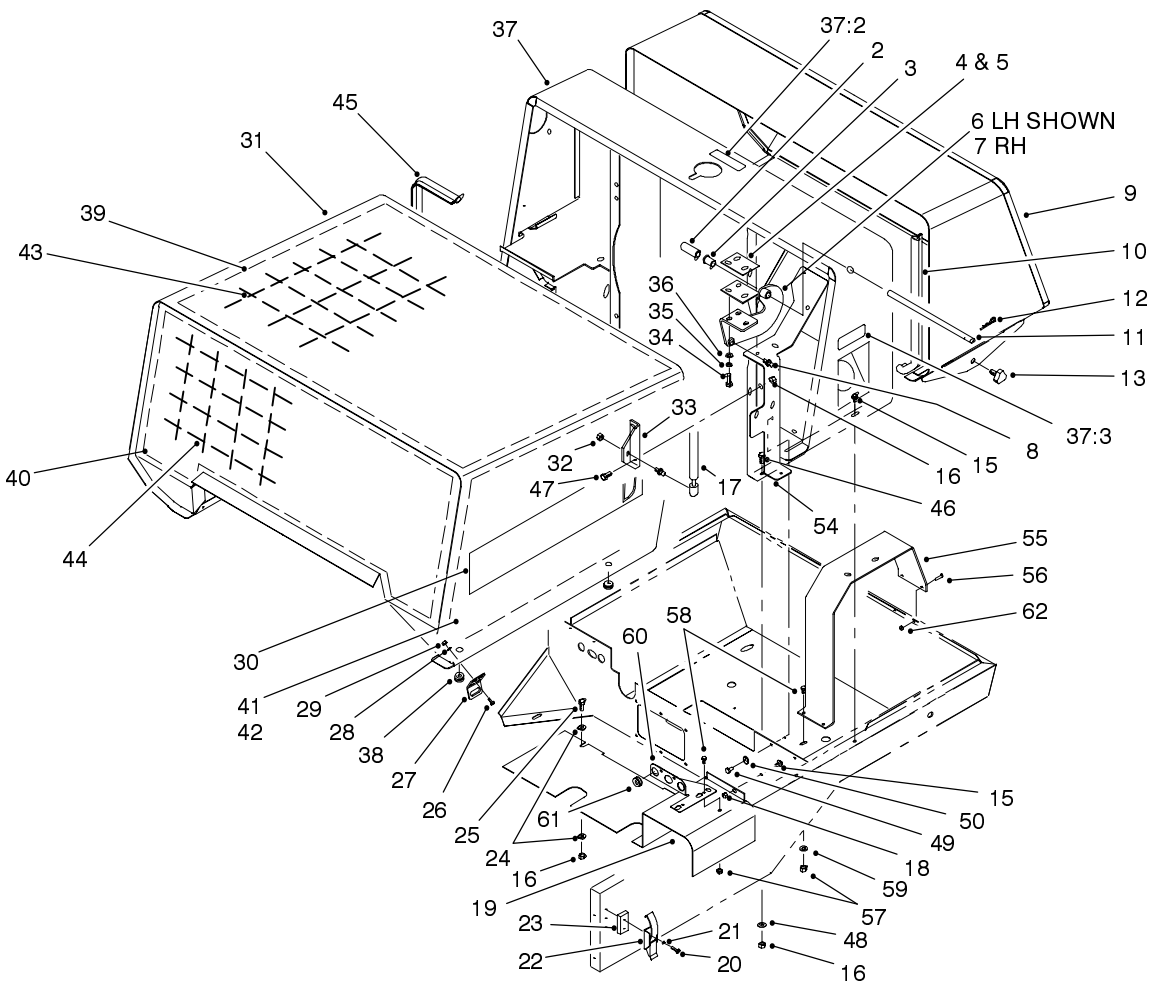
Parts not listed in partslist are not serviced separately.

Sheet No.:A5  
T-3660

## Seat Assembly No. 77-4860

Ref. No.	Part No.	Qty.	Description
1	82-2850	1	Plate
2	82-9680	2	Rivet
3	82-9700	1	Screw
4	82-2730	1	Wear Parts Kit
12	82-2800	1	Cushion - Back Rest
13	82-2840	1	Cushion - Bottom
14	82-2790	1	Rail - Adjust, LH
15	82-9690	4	Screw
16	82-9660	4	Washer
17	82-9650	4	Nut
18	82-2820	1	Swing Arm ASM
19	92-2951	1	Rail - Adjust, LH
20	82-9710	1	Trim - Bottom
21	82-2720	1	Frame - Seat
23	82-2810	1	Switch ASM
23:1	82-9640	2	Screw
23:2	82-9620	2	Washer-Spring
23:3	82-9630	2	Nut
30	82-9720	1	Trim - Back Rest
31	82-2860	1	Spring Set - Tension
32	82-2750	1	Spindle Adj. ASM
32:1	56-4170	1	Pin
32:2	56-3890	1	Nut
32:3	56-3880	2	Washer
32:4	82-2710	1	Screw
35	82-2830	2	Clamp

Ref. No.	Part No.	Qty.	Description
36	82-2770	1	Shock Absorber ASM
39	82-2760	1	Bushing Kit
39:1	82-9670	1	Nut
39:2	56-3940	1	Washer
41	82-2880	1	Weight Adj. ASM
41:1	82-2740	2	Spring Set - Tension
41:2	56-4150	1	Lever
41:3	82-2870	1	Lever - Adjust

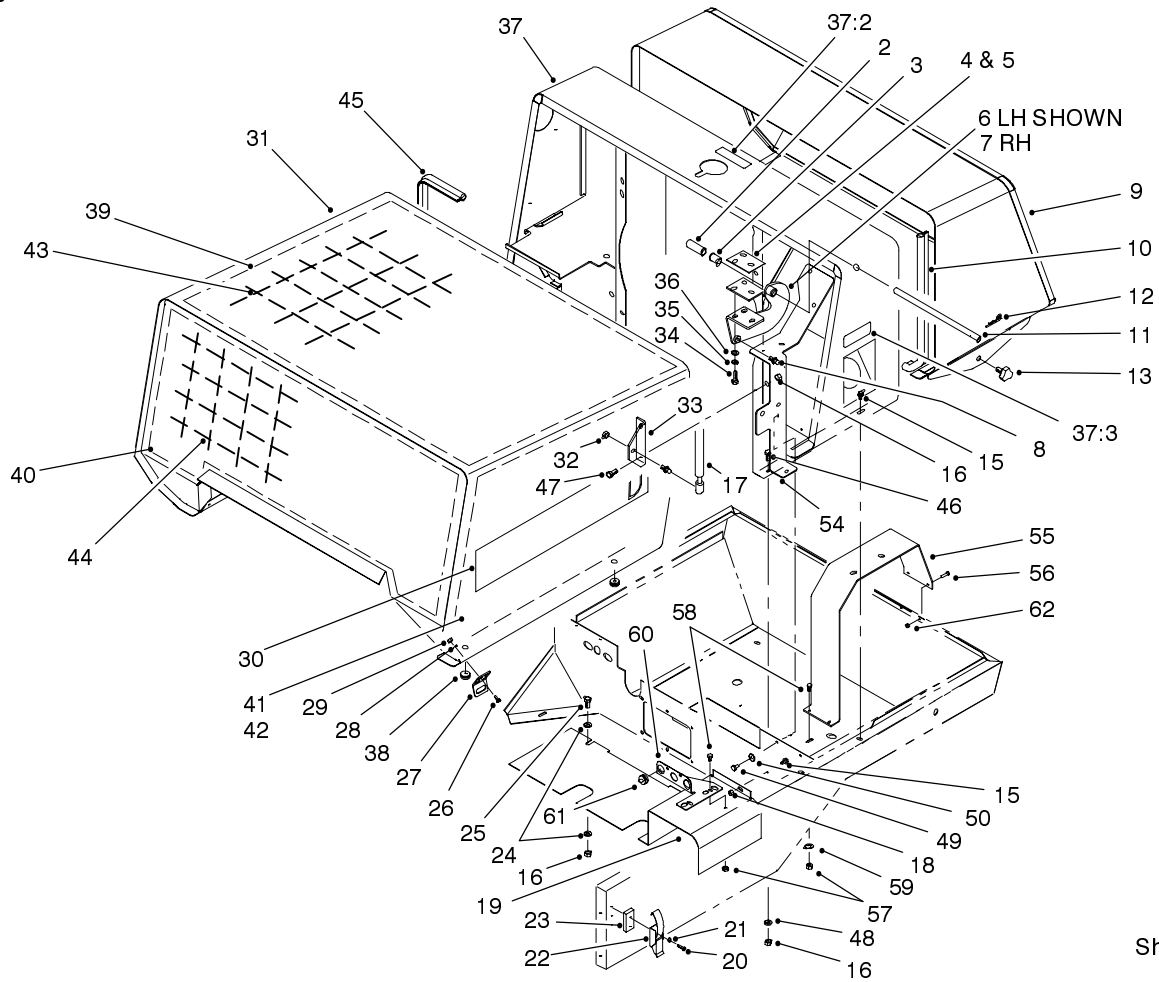


Sheet No.:11

T-3661

## Front and Rear Canopy Assembly

Ref. No.	Part No.	Qty.	Description	Ref. No.	Part No.	Qty.	Description
2	92-5655	2	Tube-Canopy	28	3256-51	8	Washer-Flat
3	58-3930	2	Bushing - Oilite	29	3296-27	8	Nut-Lock NI
4	58-5330	2	Spacer-Canopy Hinge	30	98-3822	2	Decal
5	58-5350	2	Spacer-Canopy Hinge	31	92-4713	1	Canopy-Front
6	58-1970-01	1	Plate-Hinge Left	32	48-9510	2	Nut
7	58-1980-01	1	Plate-Hinge Right	33	92-5652-03	2	Bracket
8	86-6130	4	Ball-Stud	34	33114-025	6	Screw-HH
9	92-6086	1	Rear Screen ASM	35	42-9850	6	Washer-Lock, Spring
9	92-4793-03	1	Screen-Rear	36	33094-00	6	Washer-Flat
10	92-5253	1	Strip - Sealing	37	94-8241	1	Canopy-Center
11	58-3910	2	Pin-Canopy Hinge	37:2	93-9404	1	Decal - Coolant Only
12	3290-355	2	Pin-Hair	37:3	93-6680	1	Decal - Diesel Only
13	77-3620	2	Knob	38	237-141	4	Grommet-Rubber
15	3234-13	5	Screw-HHF	39	92-5678	1	Foam - Hood, Top
16	3296-29	9	Nut-Lock	40	92-5679	1	Foam - Hood, Front
17	88-6760	2	Spring-Gas	41	92-5680	1	Foam - Hood, RH
18	3296-56	1	Nut-Lock, NI	42	92-5681	1	Foam - Hood, LH
19	92-5270-03	1	Baffle-Lower Body	43	92-5672-03	1	Support - Foam, Canopy
20	3250-25	4	Screw-PPH	44	92-5673-03	1	Support - Foam, Front
21	3253-2	4	Washer-Lock/Sp	45	92-6060	1	Strip - Sealing
22	58-5380	2	Latch-Draw	46	322-5	4	Screw-HH
23	58-7070-03	2	Spacer-Latch RH	47	322-4	4	Screw-HH
24	3256-23	2	Washer-Flat	48	3256-3	4	Washer-Flat
25	322-3	1	Screw-HH	49	321-2	4	Screw-HH
26	3250-31	8	Screw-PPH				
27	68-6040	2	Bracket				

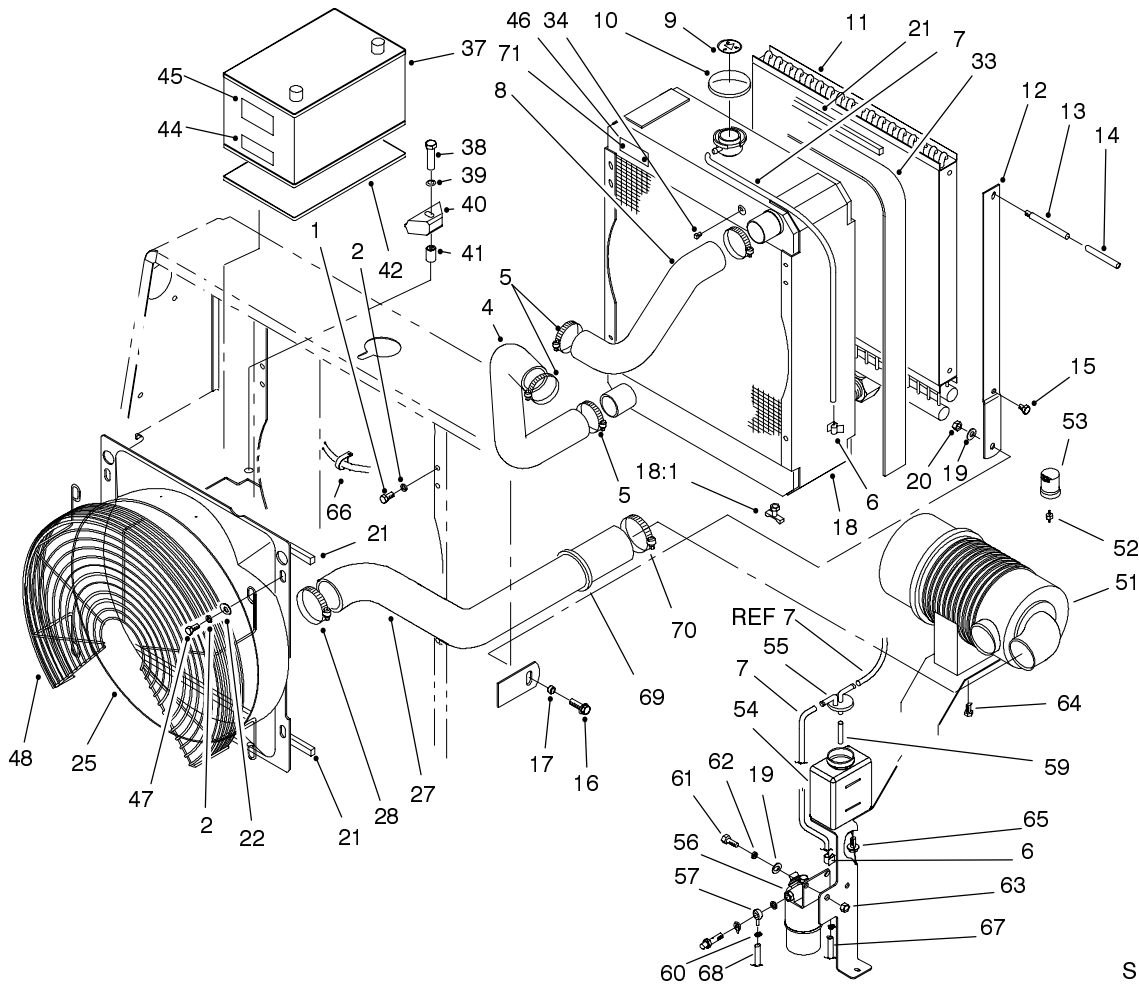


Sheet No.:11  
T-3661

### Front and Rear Canopy Assembly (Continued)

Ref. No.	Part No.	Qty.	Description
50	3253-3	4	Washer-Lock
54	98-1239-03	1	Bracket - Fuel
55	94-8226-03	1	Bracket - Air Cleaner
56	32122-42	2	Screw
57	3296-42	4	Nut-Lock, NI
58	321-3	4	Screw-HH
59	3256-22	2	Washer-Flat
60	98-1293-03	1	Bracket-Line
61	240-9	2	Grommet
62	3296-56	2	Nut-Lock, NI

Ref. No.	Part No.	Qty.	Description

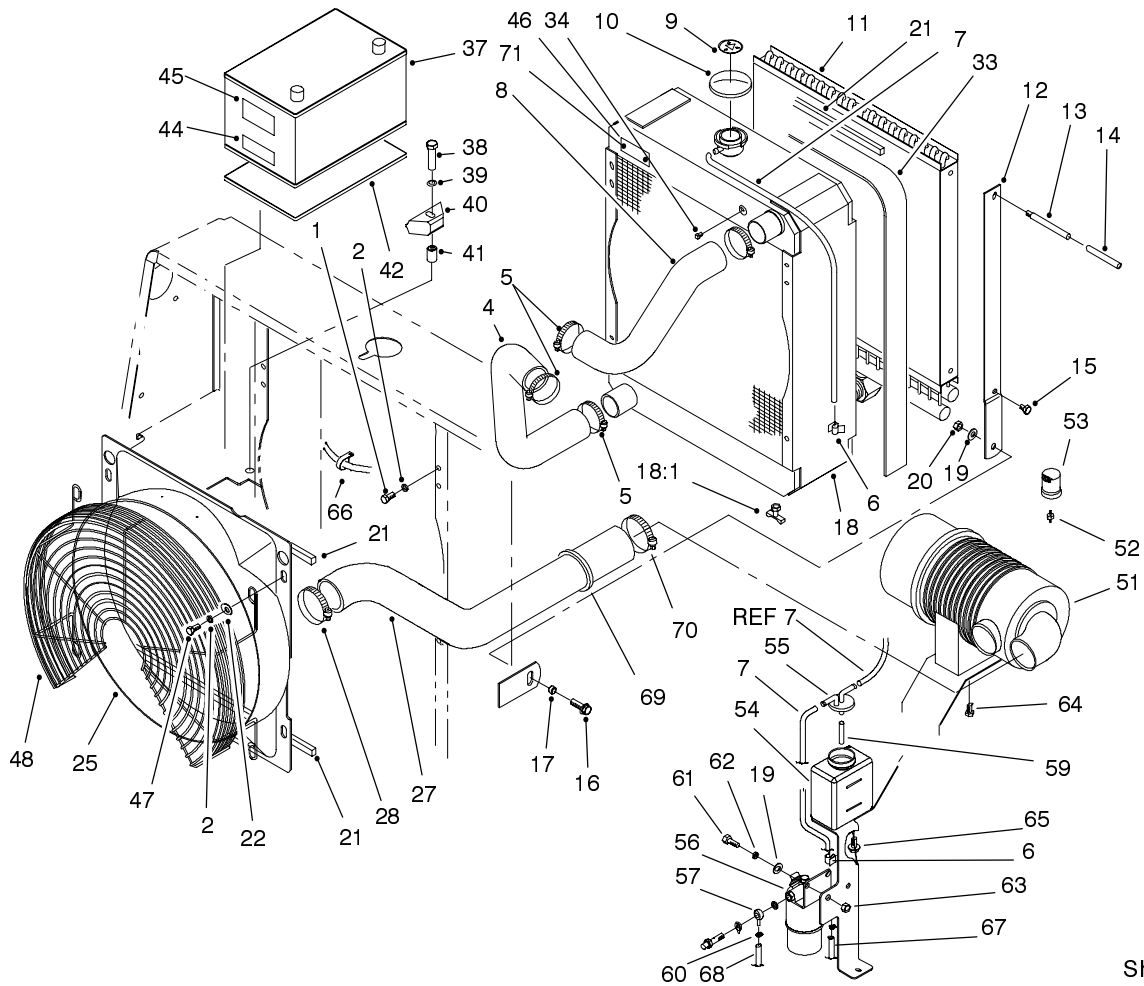


Sheet No.:12

## Radiator and Oil Cooler Assembly

Ref. No.	Part No.	Qty.	Description
1	322-3	2	Screw-HH
2	3253-4	6	Washer-Lock
4	98-1215	1	Hose - Lower, Radiator
5	2412-92	4	Clamp-Hose
6	60-0930	3	Clip-Edge
7	98-7895	2	Tube
8	98-1214	1	Hose - Upper, Radiator
9	59-8440	1	Decal
10	58-5420	1	Cap-Pressure
11	58-5540	1	Cooler-Oil
12	92-4753-03	2	Strap - Oil Cooler
13	75-7790	2	Handle
14	47-2550	2	Grip-Handle, Bag
15	48-7680	2	Screw
16	3234-11	2	Screw-HHF
17	76-2290	2	Spacer
18	92-4729	1	Radiator ASM
18:1	304-46	1	Draincock
19	3256-24	4	Washer-Flat
20	3296-39	2	Nut-Lock, NI
21	68-7575	3	Strip-Sealing
22	3256-71	4	Washer-Flat
25	98-1250	1	Shroud - Fan
27	98-1234	1	Hose - Intake

Ref. No.	Part No.	Qty.	Description
28	2412-42	1	Clamp-Hose
33	92-6062	1	Foam - Radiator Seal
34	281-2	1	Plug-Pipe, Square Head
37	93-3220	1	Battery
38	323-9	1	Screw-HH
39	3256-24	1	Washer-Flat
40	66-2490	1	Retainer-Battery
41	32148-9	1	Nut-Insert
42	93-1420	1	Tray - Battery
44	93-6668	1	Decal - Battery
45	93-7276	1	Decal-Danger
46	93-6681	1	Decal-Warning, Fan
47	322-22	4	Screw-HH
48	100-1579	1	Guard - Fan
51	93-7485	1	Air Filter ASM
52	94-1416	1	Adapter-Indicator ASM
53	69-1940	1	Indicator-Electrical
54	93-2049	1	Tank-Overflow
55	93-2048	1	Cap-Tank, Overflow
56	76-5300	1	Fuel Filter ASM
57	76-5190	2	Fitting-Adj
59	94-1348	1	Hose-Tank
60	2412-108	2	Clamp-Worm
61	323-7	2	Screw-HH



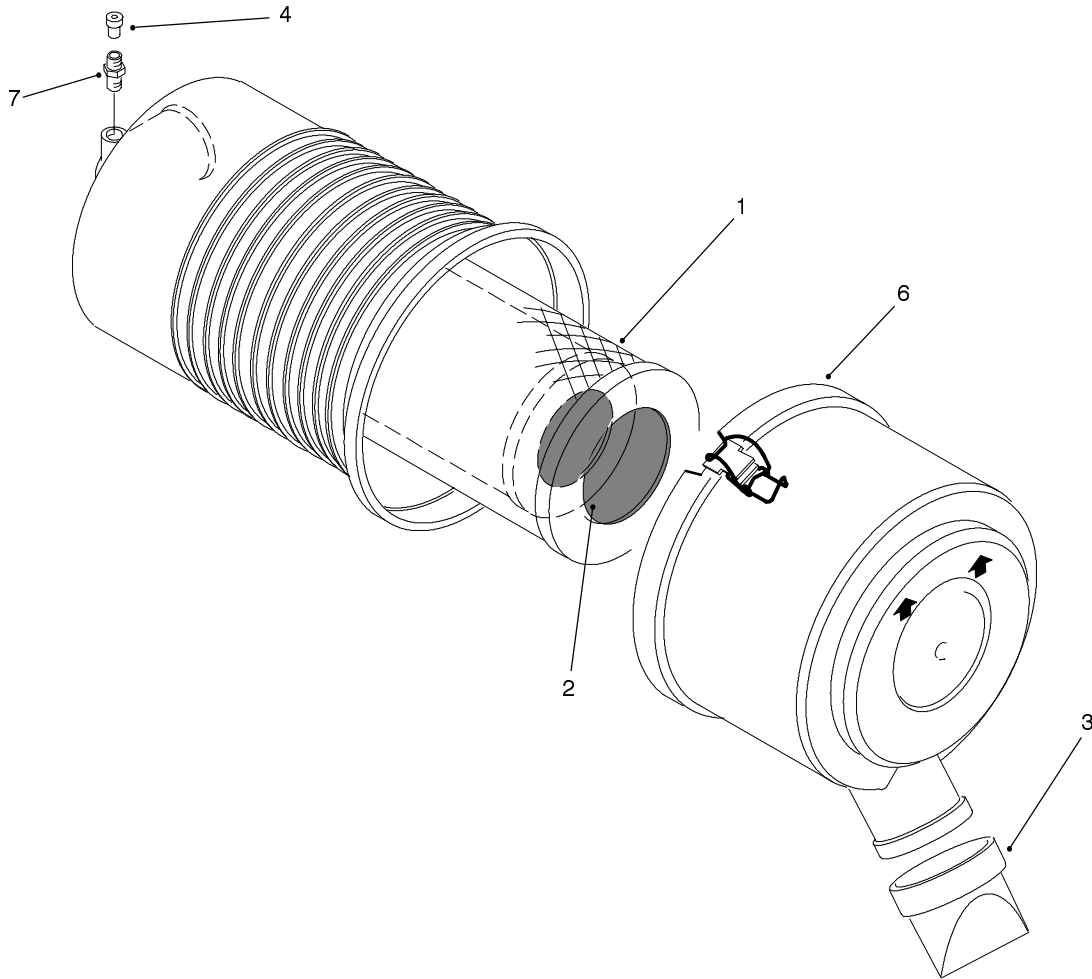
Sheet No.:12

### Radiator and Oil Cooler Assembly (Continued)

Ref. No.	Part No.	Qty.	Description
62	3253-21	2	Washer-Lock
63	3296-39	2	Nut-Lock, NI
64	33104-016	2	Screw-HHF
65	33114-016	2	Screw-HH
66	92-6064	1	R Clamp
67	98-7893	1	Hose - Fuel
68	98-7894	1	Hose - Fuel
69	98-7896	1	Trim Lok
70	2412-125	1	Clamp - Hose
71	3290-271	2	Rivet-Pop (only on: 03707)

Ref. No.	Part No.	Qty.	Description



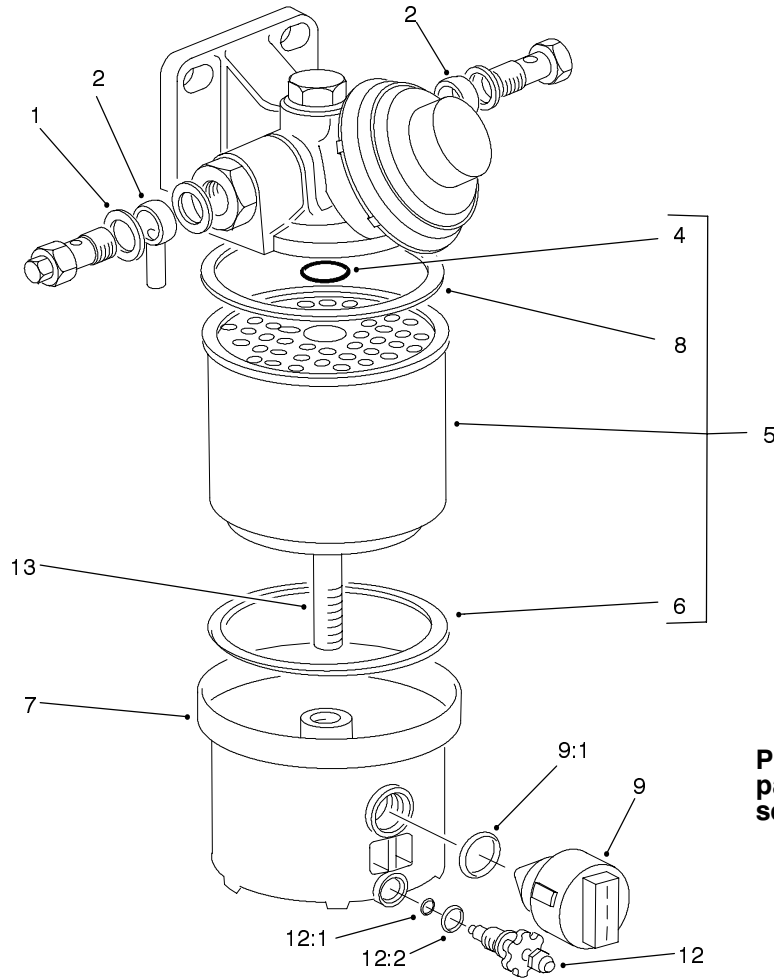


Sheet No.:A6  
T-3495

### Air Cleaner Assembly No. 93-7485

Ref. No.	Part No.	Qty.	Description
1	93-9162	1	Filter-Primary
2	93-9163	1	Filter-Secondary
3	94-1414	1	Valve-Vacuator
4	93-9164	1	Indicator - Mini
6	93-5986	1	Cover ASM
7	94-1416	1	Adapter-Indicator ASM

Ref. No.	Part No.	Qty.	Description

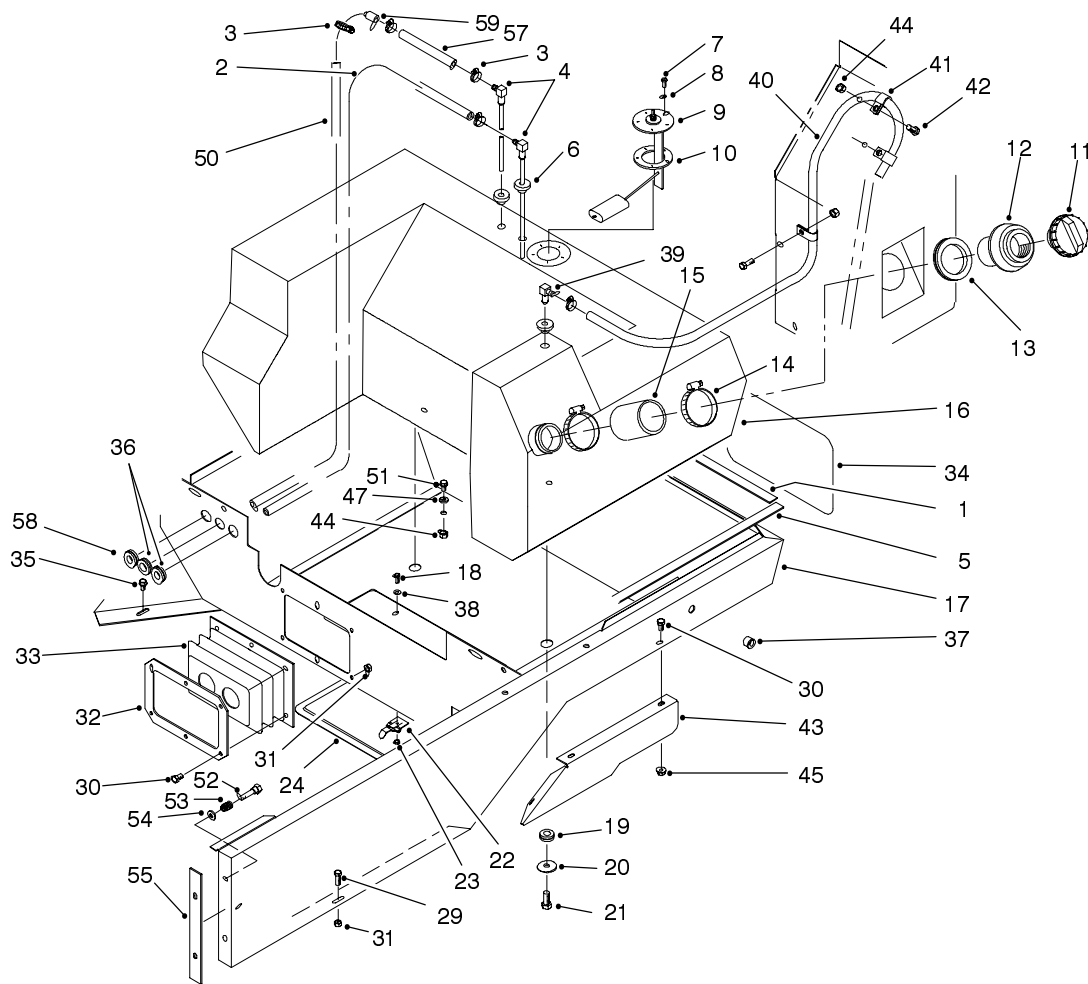


Sheet No.:A7  
T-3486

## Fuel Filter Assembly No. 76-5300

Ref. No.	Part No.	Qty.	Description
1	76-5180	4	Washer-Copper
2	76-5190	2	Fitting-Adj
5	76-5220	1	Element-Filter
9	76-5320	1	Probe-Water Sensor
9:1	94-8025	1	O-Ring
12	94-8026	1	Screw-Vent
12:1	94-8027	1	O-Ring
12:2	94-8028	1	O-Ring

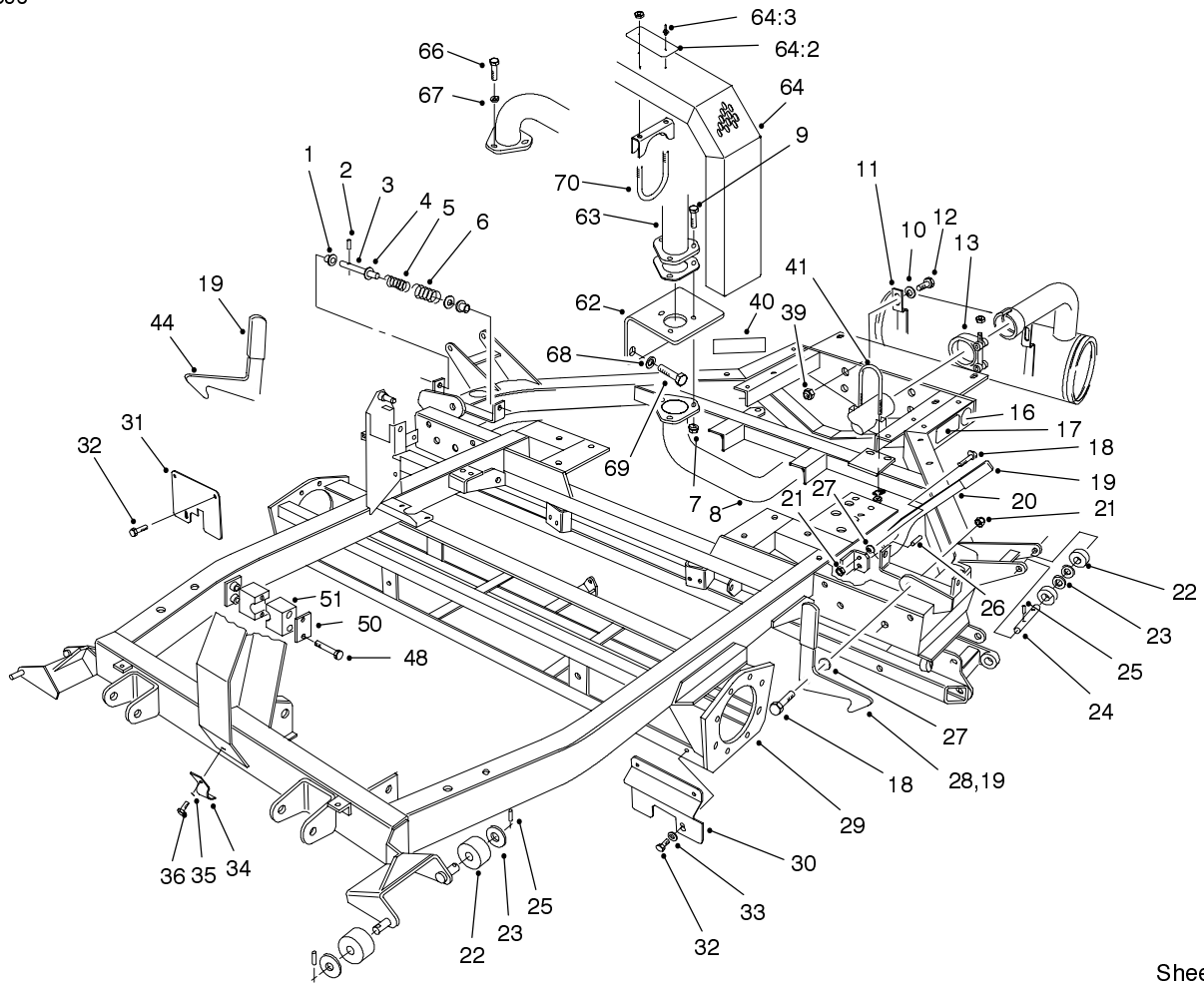
Ref. No.	Part No.	Qty.	Description



Sheet No.:13

## Fuel Tank and Lower Body Assembly

Ref. No.	Part No.	Qty.	Description	Ref. No.	Part No.	Qty.	Description
1	92-5671	1	Strip - Sealing	30	321-2	9	Screw-HH
2	63-7610	1	Hose-Fuel	31	3296-56	7	Nut-Lock, NI
3	2412-108	5	Clamp-Worm	32	92-5653-03	1	Ring - Clamp
4	92-9266	2	Standpipe	33	92-5269	1	Bellows
5	92-5670	2	Strip - Sealing	34	66-6140	1	Decal - Toro
6	46-6560	3	Bushing	35	3234-13	2	Screw-HHF
7	32122-24	5	Screw-Pth	36	240-9	2	Grommet
8	3253-15	5	Washer-Lock/Sp	37	32148-9	2	Nut-Insert
9	92-9267	1	Sender - Fuel	38	3256-51	4	Washer-Flat
10	62-7650	1	Gasket	39	46-6550	1	Fitting-Hyd, 90
11	93-3102	1	Cap-Fuel	40	92-9283	1	Hose-Vent, Fuel
12	92-5674	1	Neck - Fuel Fill	41	92-6064	2	R Clamp
13	92-5675	1	Grommet	42	322-3	2	Screw-HH
14	2412-42	2	Clamp-Hose	43	92-6069-03	1	Shield - Exhaust
15	92-9272	1	Hose - Fuel Fill	44	3296-29	4	Nut-Lock
16	93-1402	1	Tank - Fuel	45	32128-33	3	Nut-HF
17	92-4702-03	1	Body-Lower	47	3256-23	2	Washer-Flat
18	32144-1	4	Screw-Taptite	50	37-9560	1	Hose-Vent, Gas Tank
19	240-11	2	Grommet-Mount, Tank	51	3234-17	2	Screw-HHF
20	63-8410	2	Washer	52	94-8270	4	Bolt - Shoulder
21	323-5	2	Screw-HH	53	63-4220	4	Spring-Compression
22	52-9590	4	Latch-Screen	54	3256-78	4	Washer-Flat
23	3296-12	4	Nut-Lock	55	94-8258	2	Strip - Seal
24	92-5654-03	1	Panel - Clean Out	57	94-1348	1	Hose-Tank
29	3234-4	1	Screw-HHF	58	60-4350	1	Grommet
				59	98-7612	1	Filter-Fuel

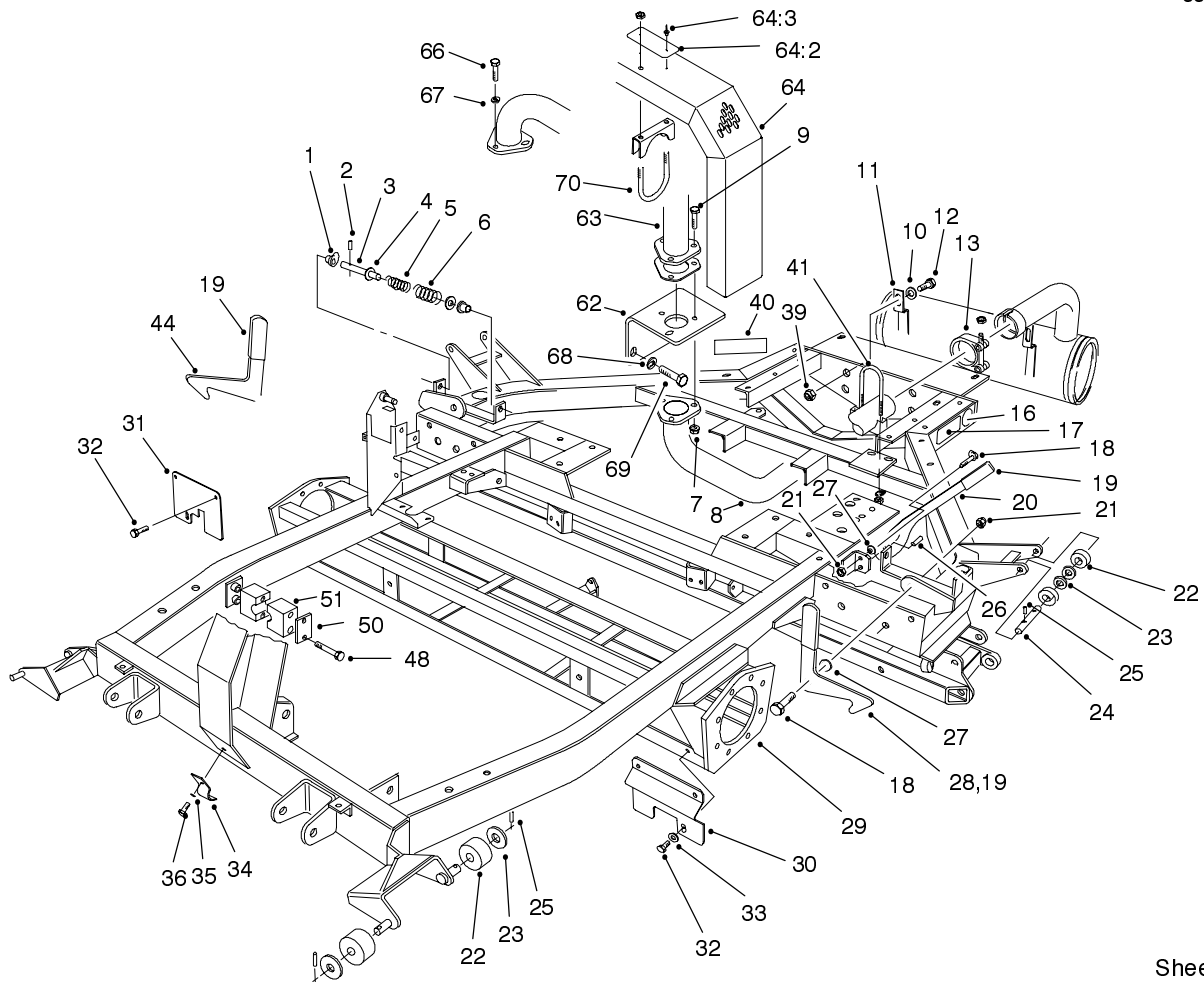


T-3662  
Sheet No.:14

## Chassis and Muffler Assembly (Model 03707 Only)

Ref. No.	Part No.	Qty.	Description
1	58-2800	4	Bushing (only on: 03707)
2	60-3720	2	Pin-Roll (only on: 03707)
3	58-2810	2	Rod (only on: 03707)
4	3256-7	4	Washer-Flat (only on: 03707)
5	48-6780	2	Spring-Compression (only on: 03707)
6	60-1240	2	Spring (only on: 03707)
7	3296-29	3	Nut-Lock (only on: 03707)
8	98-1230-03	1	Tube-Lower (only on: 03707)
9	322-7	3	Screw-HH (only on: 03707)
10	3256-24	4	Washer-Flat (only on: 03707)
11	92-5273	1	Muffler (only on: 03707)
12	323-9	4	Screw-HH (only on: 03707)
13	2412-132	1	Clamp (only on: 03707)

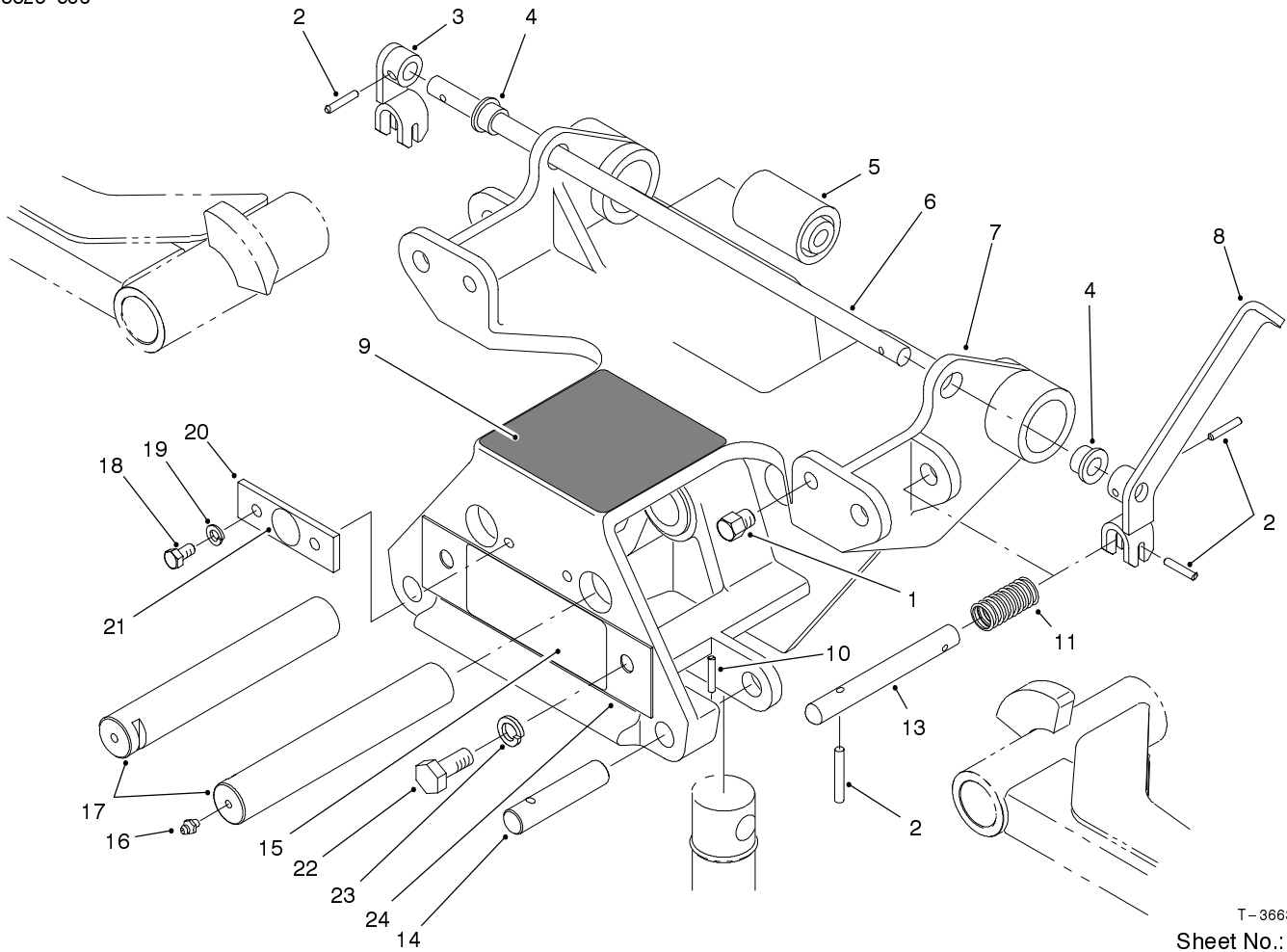
Ref. No.	Part No.	Qty.	Description
16	58-6520	3	Decal-Grease (only on: 03707)
17	93-9405	2	Decal-Air Pressure (only on: 03707)
18	33116-030	3	Screw-HH (only on: 03707)
19	48-7080	3	Grip-Plastic (only on: 03707)
20	86-6570-03	1	Latch (only on: 03707)
21	51-2070	3	Nut (only on: 03707)
22	82-4910	8	Roller (only on: 03707)
23	51-2060	8	Washer (only on: 03707)
24	60-0160	2	Pin (only on: 03707)
25	60-2110	8	Pin (only on: 03707)
26	48-8830	1	Pin-Expansion (only on: 03707)
27	48-8850	3	Spring-Disc (only on: 03707)
28	86-6590-03	1	Latch - LH (only on: 03707)
29	94-8268-01	1	Frame (only on: 03707)
30	60-4190-03	1	Shield-Grass, LH (only on: 03707)



T-3662  
Sheet No.:14

## Chassis and Muffler Assembly (Continued)

Ref. No.	Part No.	Qty.	Description	Ref. No.	Part No.	Qty.	Description
31	60-4200-03	1	Shield-Grass, RH (only on: 03707)	62	98-1246-03	1	Bracket - Exhaust (only on: 03707)
32	48-6900	6	Screw (only on: 03707)	63	98-1231-03	1	Tube-Upper (only on: 03707)
33	33093-00	2	Washer-Flat (only on: 03707)	64	98-7890	1	Shield-Exhaust (only on: 03707)
34	60-2080	1	Clamp-Hose (only on: 03707)	64:2	95-0645	1	Plate - Hot Surface (only on: 03707)
35	42-9850	1	Washer-Lock, Spring (only on: 03707)	64:3	3290-271	2	Rivet-Pop (only on: 03707)
36	48-7680	1	Screw (only on: 03707)	66	33114-025	3	Screw-HH (only on: 03707)
39	3296-39	16	Nut-Lock, NI (only on: 03707)	67	42-9850	3	Washer-Lock, Spring (only on: 03707)
40	88-6700	1	Decal - Ansi (only on: 03707)	68	43-5940	2	Lockwasher-Spring (only on: 03707)
41	76-3560	1	Clamp (only on: 03707)	69	42-9250	2	Bolt (only on: 03707)
44	86-6580-03	1	Latch - RH (only on: 03707)	70	2112-6	2	Clamp-Muffler (only on: 03707)
48	321-9	2	Screw-HH (only on: 03707)				
50	82-2980	1	Plate-Cover (only on: 03707)				
51	82-2990	2	Clamp - Half (only on: 03707)				

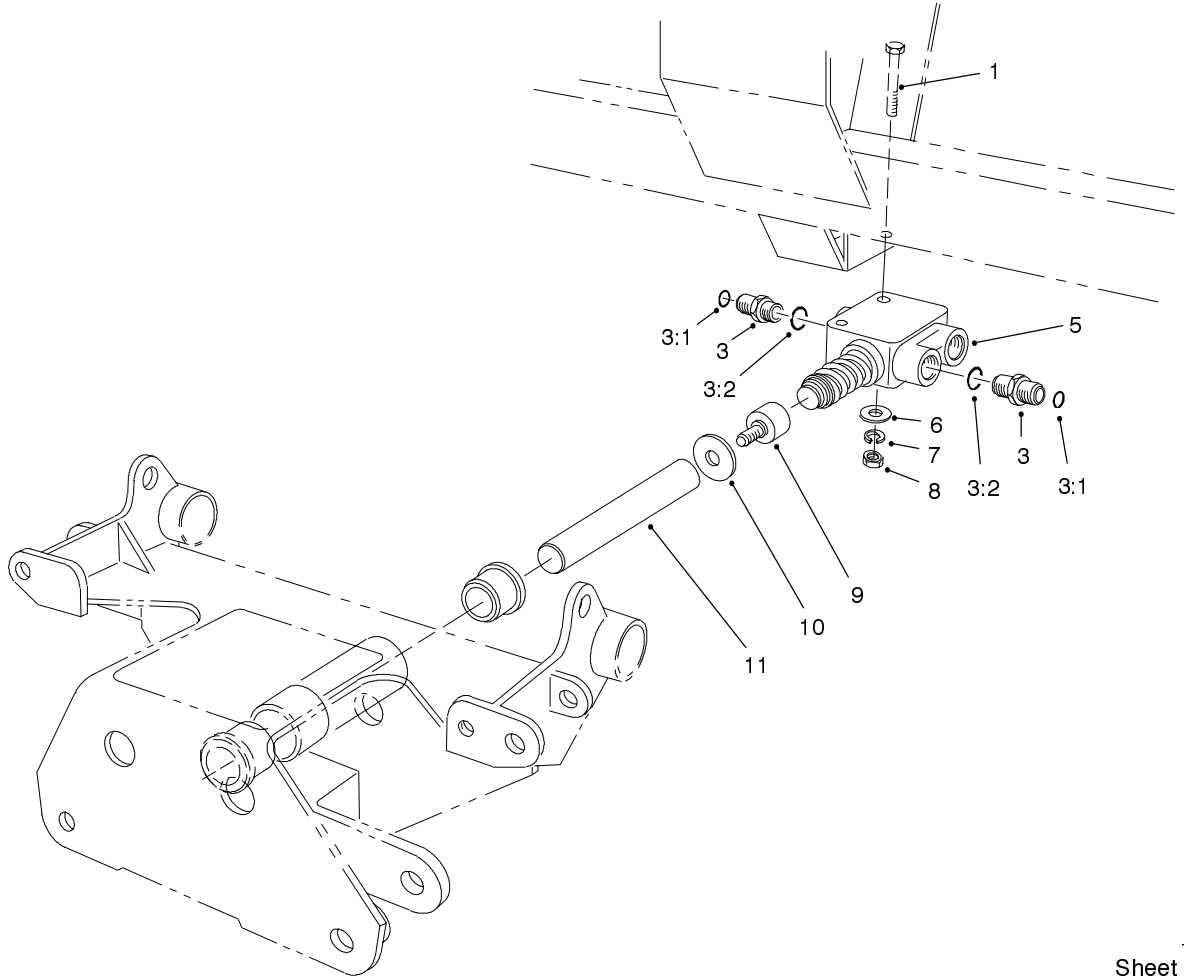


T-3663  
Sheet No.:15

### Front Carrier Assembly

Ref. No.	Part No.	Qty.	Description
1	82-9250	2	Stud - Threaded
2	60-2000	6	Pin
3	60-1750-03	1	Lever-Latching, RH
4	60-1990	2	Bushing
5	47-7010	2	Bushing-Rubber
6	60-1820	1	Shaft-Pivot, Latch
7	74-2920-03	1	Carrier - Front
8	60-1780-03	1	Lever-Latching, LH
9	82-9370	1	Pad - Front Step
10	32121-84	2	Pin-Coil
11	60-0670	2	Spring
13	82-9360	2	Rod - Latch
14	58-2720	2	Pin
15	93-9400	1	Decal - Danger
16	302-5	2	Fitting-Grease
17	60-0090	2	Pin-Pivot, Lift Arms #1,2,3
18	322-2	2	Screw-HH
19	3253-4	2	Washer-Lock
20	60-0190	1	Strip
21	58-6520	1	Decal-Grease
22	325-2	2	Screw-HH
23	3253-7	2	Washer-Lock
24	84-6480	1	Plate-Decal

Ref. No.	Part No.	Qty.	Description

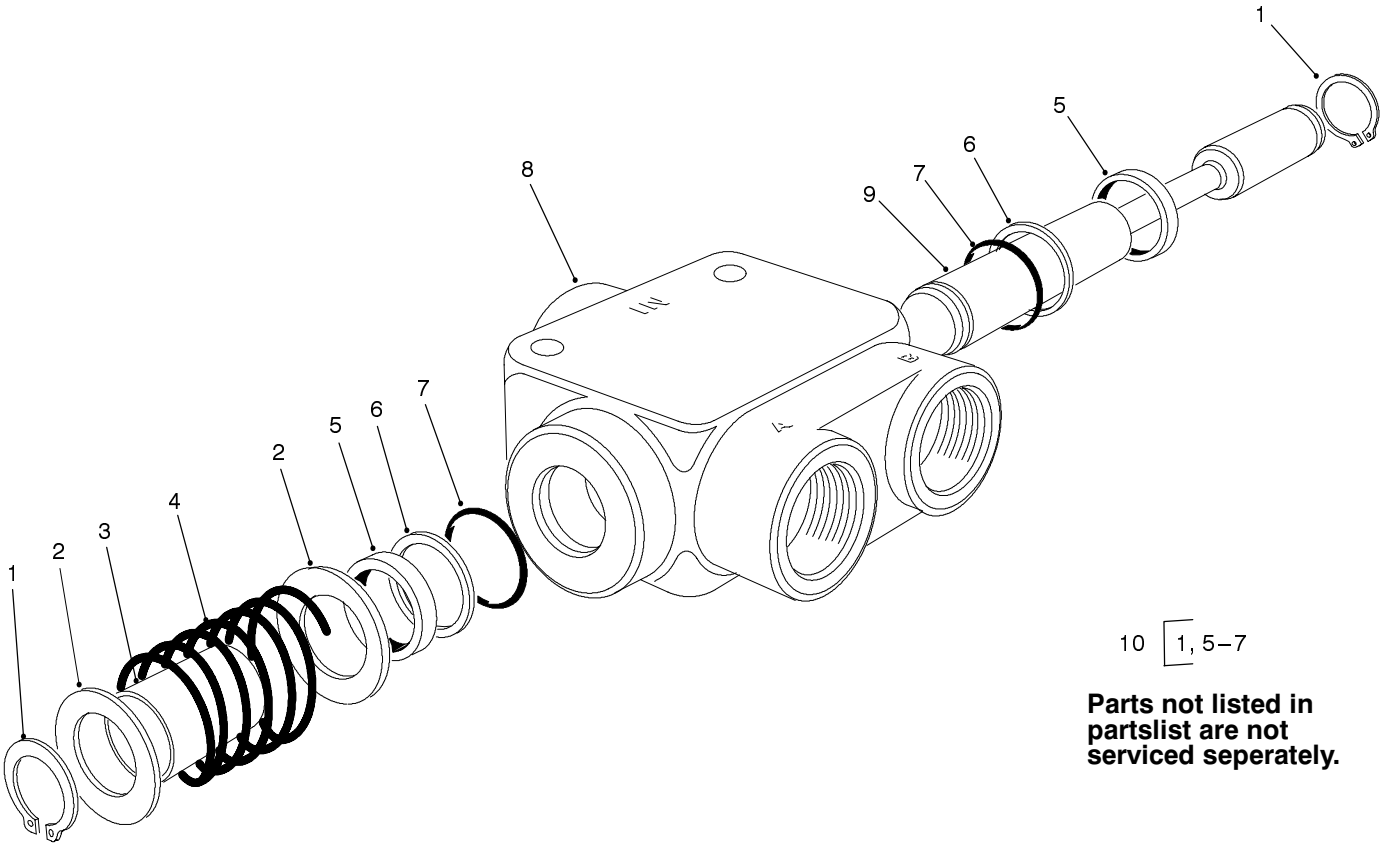


T-3664  
Sheet No.:16

### Push Rod Assembly

Ref. No.	Part No.	Qty.	Description
1	322-12	2	Screw-HH
3	340-7	3	Adapter
3:1	237-65	1	O-Ring
3:2	237-80	1	O-Ring
5	58-5460	1	Valve-Selector
6	3256-23	2	Washer-Flat
7	3253-4	2	Washer-Lock
8	3217-6	2	Nut-Hex
9	59-7140	1	Bushing-Rubber
10	3256-68	3	Washer-Flat
11	60-0300	1	Rod-Push

Ref. No.	Part No.	Qty.	Description



10 1, 5-7

**Parts not listed in partslist are not serviced seperately.**

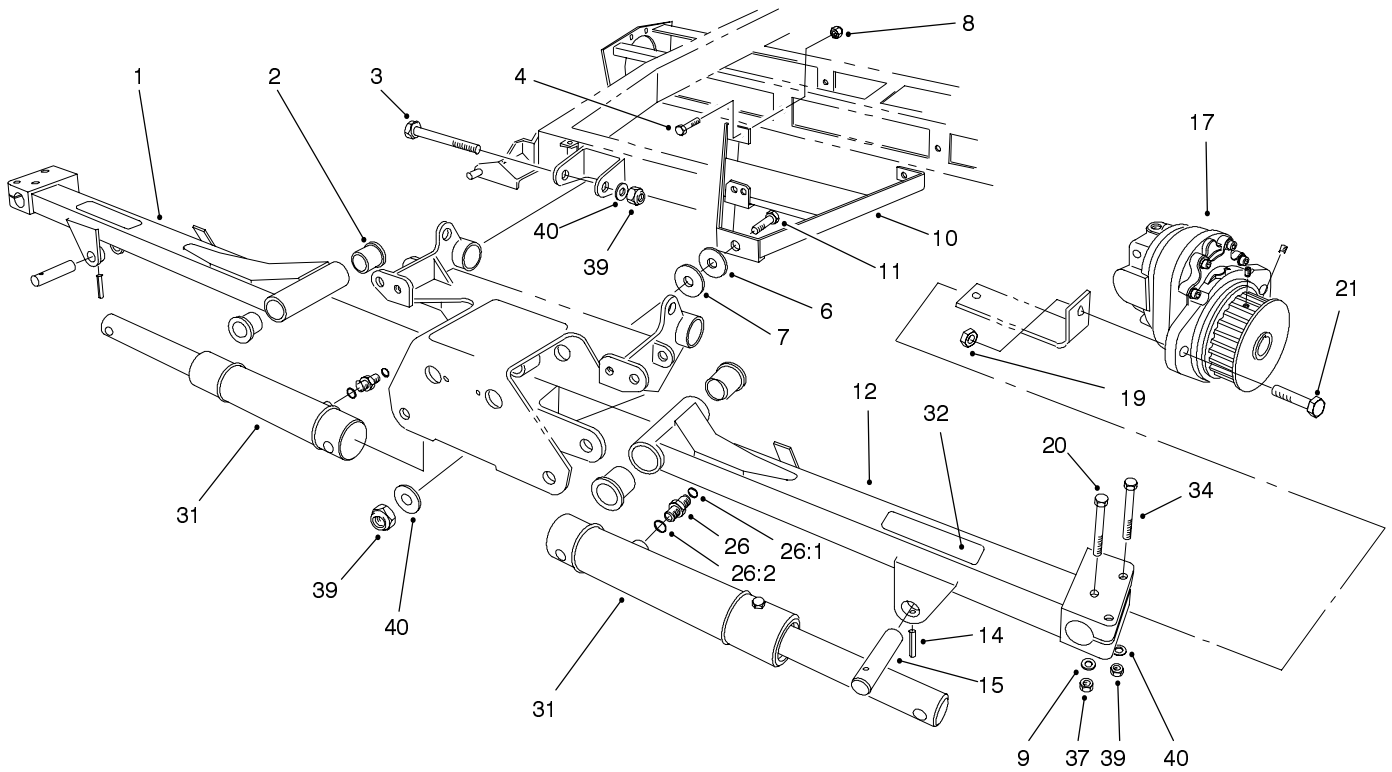
Sheet No.:A8  
T-3665

## Reel Shut-off Valve Assembly No. 58-5460

Ref. No.	Part No.	Qty.	Description
2	59-7820	2	Washer
4	59-7840	1	Spring
10	59-7890	1	Kit

Ref. No.	Part No.	Qty.	Description



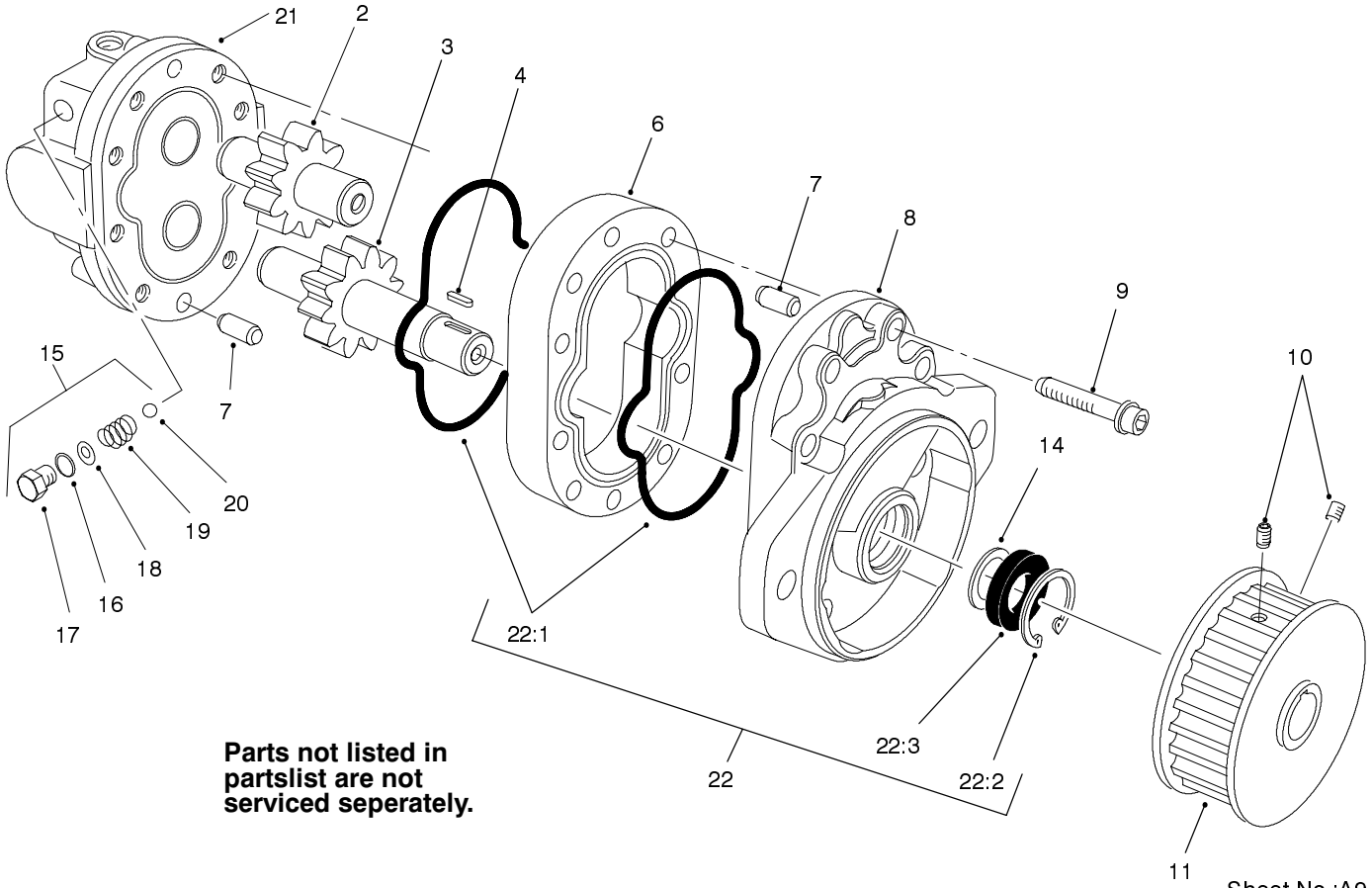


Sheet No.:17  
T-3666

### No. 2 and 3 Lift Arms Assembly

Ref. No.	Part No.	Qty.	Description
1	92-9291-01	1	Arm-Lift, #3
2	68-6480	4	Bushing - Flange
3	325-17	2	Screw-HH
4	323-7	2	Screw-HH
6	52-6180	3	Spacer
7	60-3250	1	Washer
8	3290-357	2	Nut-Flange, Lock
9	3256-56	2	Washer-Flat
10	92-9246-03	1	A-Frame
11	325-7	1	Screw-HH
12	92-9290-01	1	Arm-Lift, #2
14	60-1280	2	Pin
15	58-4380	2	Pin
17	93-1412	2	Motor - Hyd
19	3296-48	2	Nut-Lock NI
20	323-14	2	Screw-HH
21	324-6	2	Screw-HH
26	340-2	2	Adapter
26:1	237-22	1	O-Ring
26:2	237-42	1	O-Ring
31	104-5225	2	Cylinder, Hydraulic
32	93-7331	2	Decal-Warning
34	325-34	4	Screw-HH
37	3296-39	2	Nut-Lock, NI
39	3296-23	7	Nut-Lock, NI
40	3256-26	7	Washer-Flat

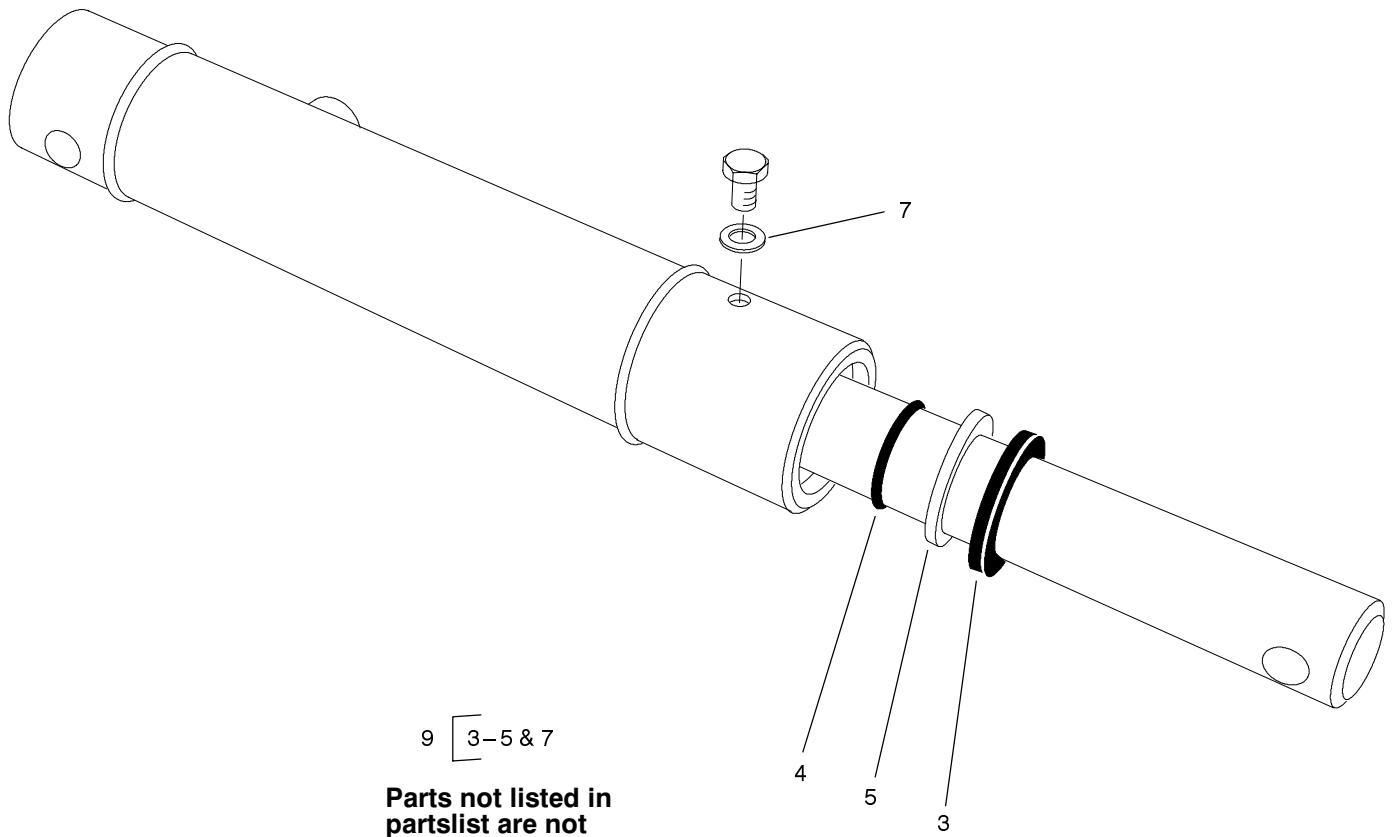
Ref. No.	Part No.	Qty.	Description



## Reel Motor Assembly No. 93-1412

Ref. No.	Part No.	Qty.	Description
2	66-5750	1	Idler Gear ASM
3	66-5760	1	Drive Gear ASM
4	47-2380	1	Square Key
6	66-5740	1	Body ASM
7	42-2010	2	Pin-Dowel
8	66-5730	1	Front Plate ASM
9	66-5770	8	Capscrew
10	3246-17	2	Setscrew-HSH
11	47-7150	1	Pulley-Drive
14	60-5890	1	Washer
15	92-9260	2	Relief Valve Kit
16	237-42	2	O-Ring
21	92-9259	1	Backplate ASM
22	93-1413	1	Seal Kit
22:1	59-8420	2	Ring
22:2	59-8320	1	Ring-Retaining
22:3	66-5710	1	Seal-Shaft

Ref. No.	Part No.	Qty.	Description



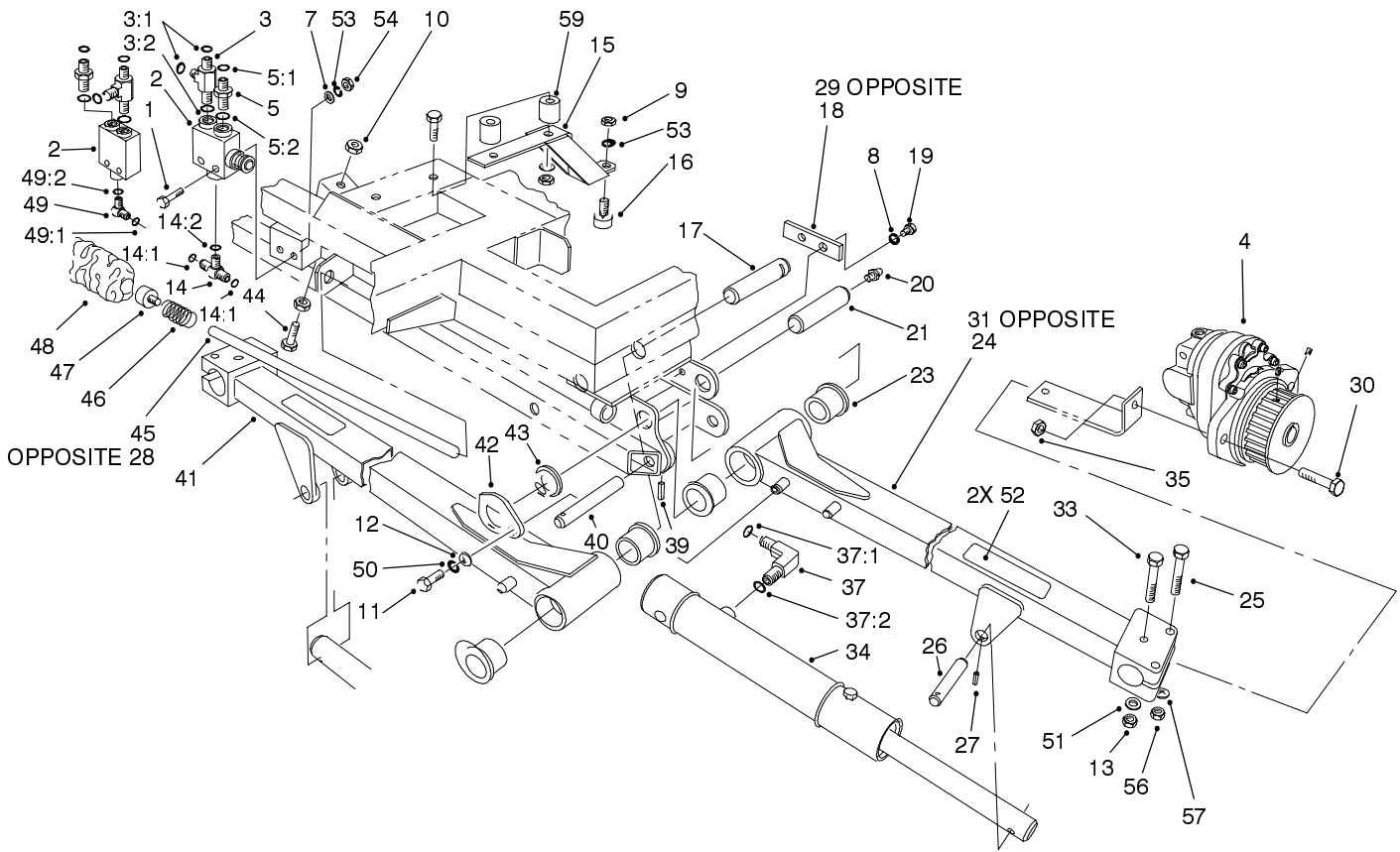
9 [ 3-5 & 7  
**Parts not listed in  
 partslist are not  
 serviced seperately.**

T-3668  
 Sheet No.:B1

## Hydraulic Cylinder Assembly No. 104-5225

Ref. No.	Part No.	Qty.	Description
9	104-5227	1	Repair Kit

Ref. No.	Part No.	Qty.	Description

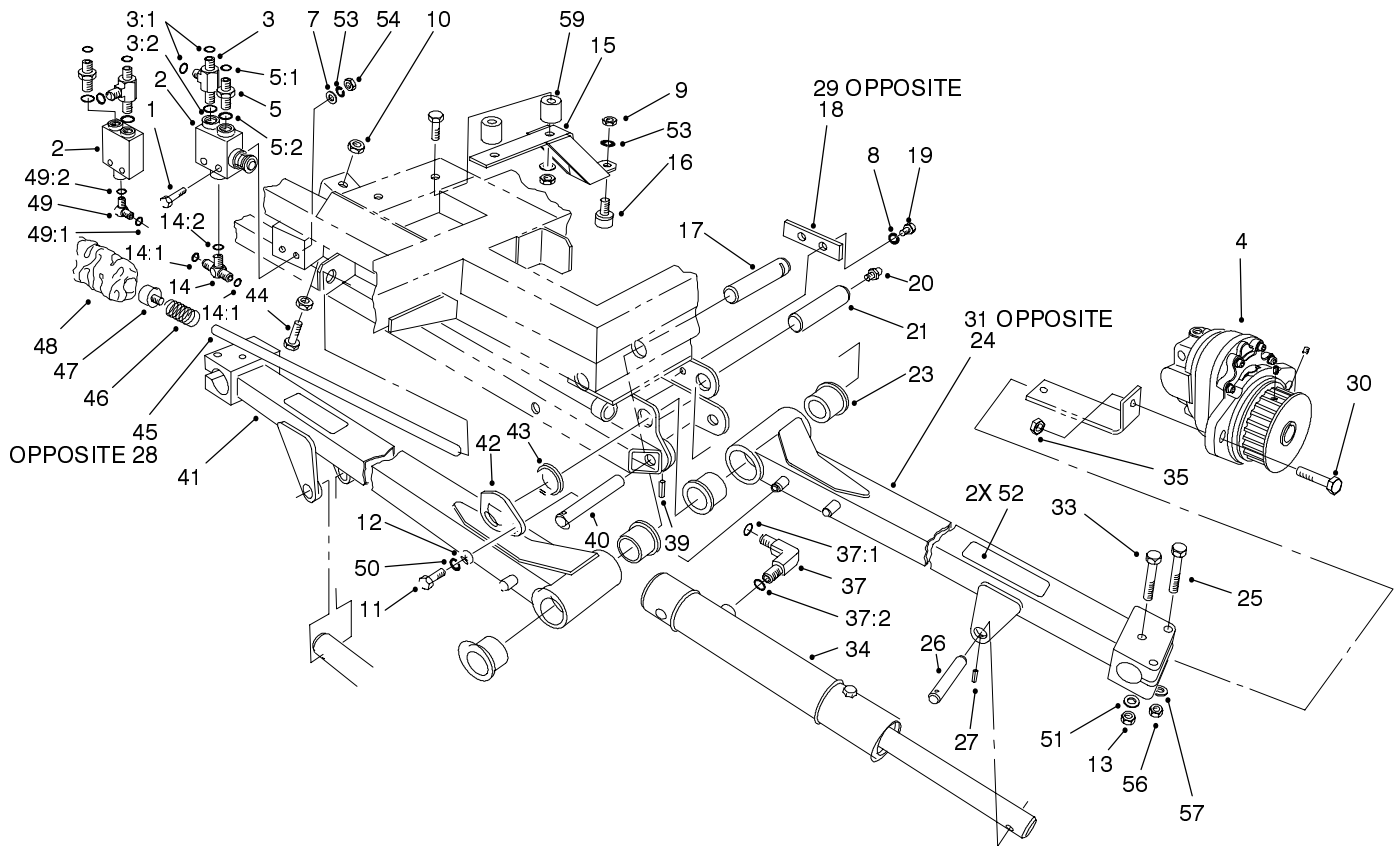


T-3669  
Sheet No.:18

## No. 1, 4 and 5 Lift Arms Assembly

Ref. No.	Part No.	Qty.	Description
1	322-12	4	Screw-HH
2	58-5460	2	Valve-Selector
3	340-22	2	Adapter
3:1	237-65	4	O-Ring
3:2	237-80	2	O-Ring
4	93-1412	3	Motor - Hyd
5	340-7	2	Adapter
5:1	237-65	1	O-Ring
5:2	237-80	1	O-Ring
7	3256-23	4	Washer-Flat
8	42-9850	4	Washer-Lock, Spring
9	33014-00	2	Nut-Hex
10	48-9530	2	Nut
11	323-6	2	Screw-HH
12	3256-3	2	Washer-Flat
13	3296-39	3	Nut-Lock, NI
14	340-93	1	Tee-Adapter
14:1	237-65	2	O-Ring
14:2	237-80	1	O-Ring
15	60-1050-03	2	Bracket-Bumper
16	48-3280	2	Stop-Bump
17	60-0090	1	Pin-Pivot, Lift Arms #1,2,3
18	60-0190	1	Strip
19	33114-016	4	Screw-HH
20	302-5	3	Fitting-Grease

Ref. No.	Part No.	Qty.	Description
21	60-0100	2	Pin-Pivot, Lift Arms #4 & 5
23	68-6480	6	Bushing - Flange
24	92-9296-01	1	Arm-Lift, #4
25	325-34	6	Screw-HH
26	58-4380	3	Pin
27	60-1280	3	Pin
28	60-1350	1	Rod-Push, #5 Bypass Valve
29	60-1640	1	Strip
30	324-6	3	Screw-HH
31	92-9297-01	1	Arm-Lift, #5
33	323-14	3	Screw-HH
34	104-5225	3	Cylinder, Hydraulic
35	3296-48	3	Nut-Lock NI
37	340-77	3	Fitting-90°
37:1	237-22	1	O-Ring
37:2	237-42	1	O-Ring
39	32121-84	3	Pin-Coil
40	58-2720	3	Pin
41	92-9289-01	1	Arm-Lift, #1
42	58-9210	2	Cam
43	60-0080	2	Bushing
44	53-5940	1	Screw
45	60-1340	1	Rod-Push, #4 Bypass Valve

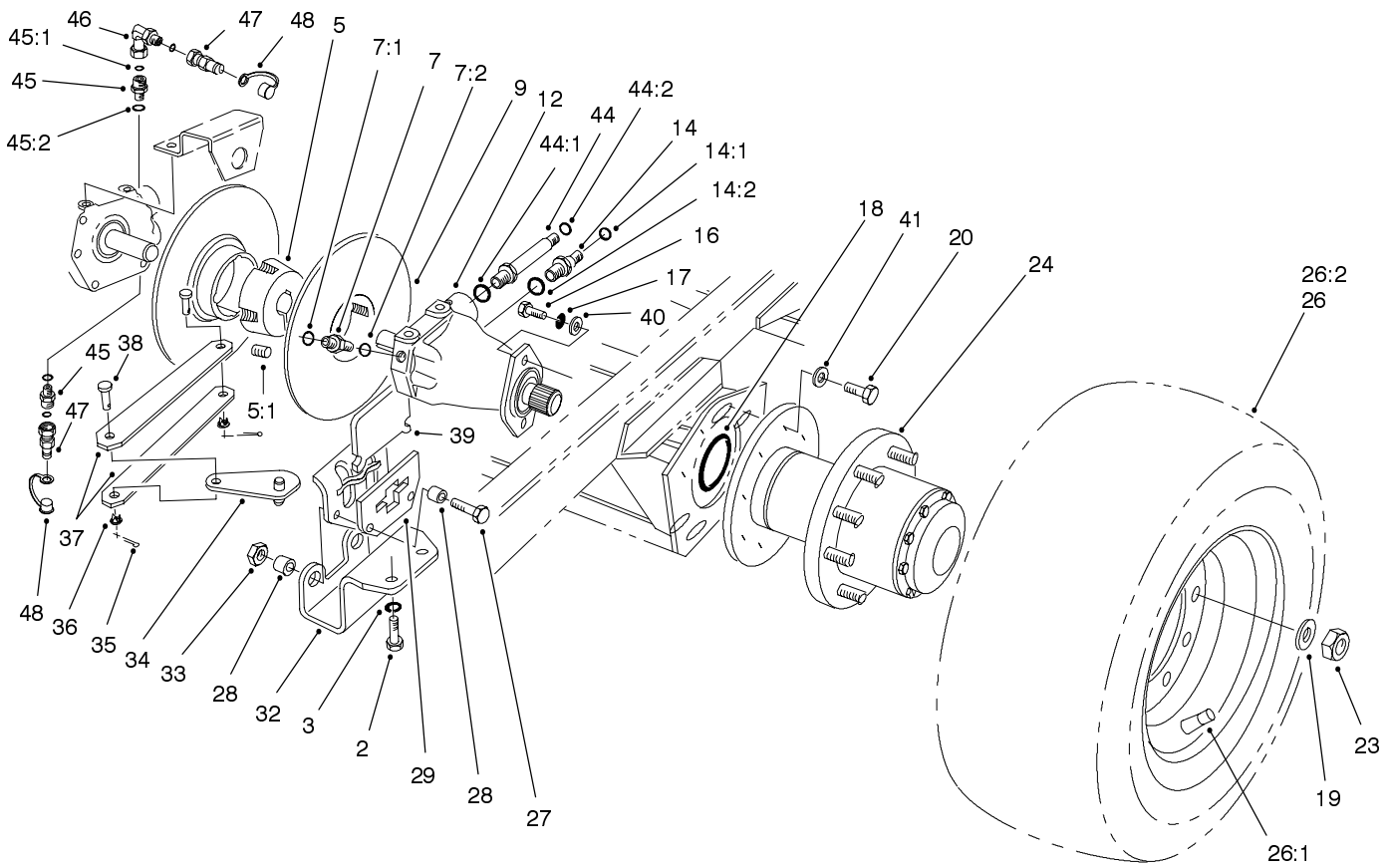


T-3669  
Sheet No.:18

## No. 1, 4 and 5 Lift Arms Assembly (Continued)

Ref. No.	Part No.	Qty.	Description
46	58-3570	2	Spring
47	59-7140	2	Bushing-Rubber
48	58-9630	2	Sleeve
49	340-17	1	Adapter
49:1	237-65	1	O-Ring
49:2	237-80	1	O-Ring
50	3253-5	2	Washer-Lock
51	3256-56	3	Washer-Flat
52	93-7331	3	Decal-Warning
53	3253-4	6	Washer-Lock
54	3217-6	4	Nut-Hex
56	3296-23	6	Nut-Lock, NI
57	3256-26	6	Washer-Flat
59	80-7590	4	Spacer

Ref. No.	Part No.	Qty.	Description



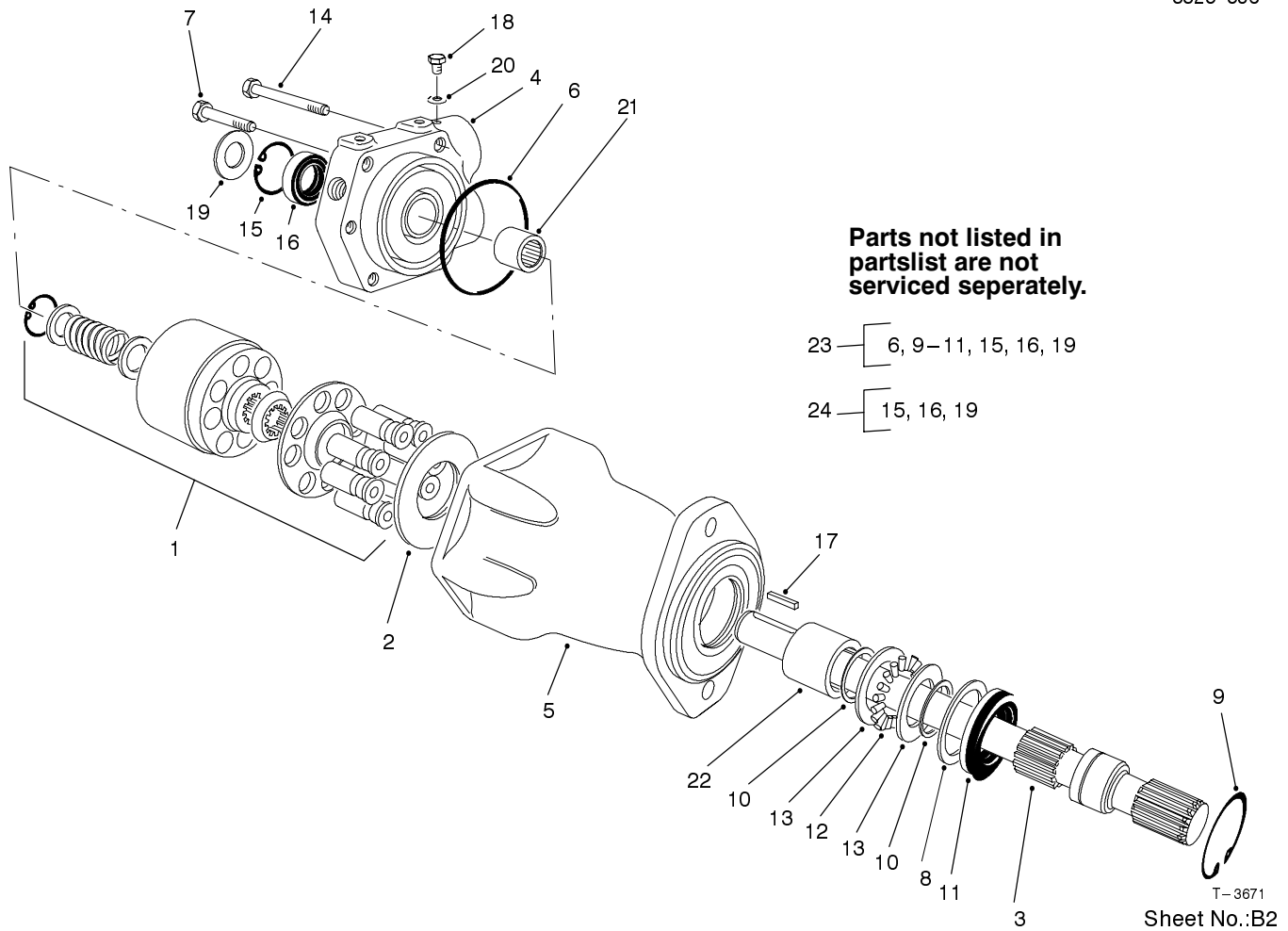
T-3670

Sheet No.:19

## Traction Drive Assembly

Ref. No.	Part No.	Qty.	Description
2	322-3	4	Screw-HH
3	3253-4	4	Washer-Lock
5	23-1840	2	Bushing-Taperlock
5:1	60-6620	2	Screw-Set
7	340-2	2	Adapter
7:1	237-22	1	O-Ring
7:2	237-42	1	O-Ring
9	58-0070	2	Disc-Brake ASM
12	58-5430	2	Piston Motor ASM
14	340-9	2	Fitting-Straight (only on: 03707)
14:1	237-58	1	O-Ring (only on: 03707)
14:2	237-81	1	O-Ring (only on: 03707)
16	323-18	4	Screw-HH
17	3253-5	4	Washer-Lock
18	353-949	2	O-Ring
19	3253-7	18	Washer-Lock
20	327-3	16	Screw-HH
23	3219-5	18	Nut-Hex
24	62-6400-03	2	Hub-Drive Wheel
26	66-5660	2	Wheel And Tire ASM
26:1	58-5620	1	Tube
26:2	63-4480	1	Tire
27	323-20	4	Screw-HH

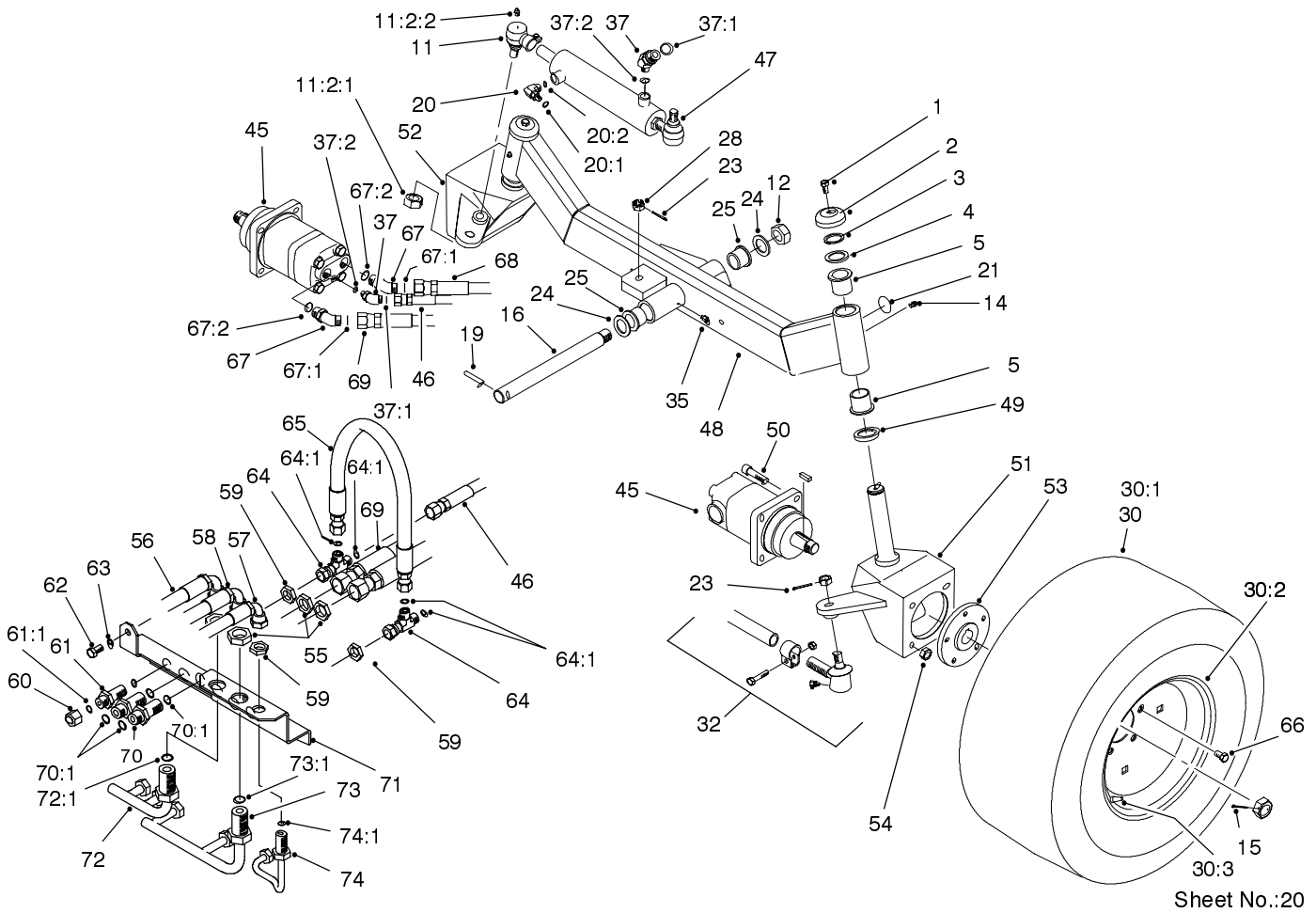
Ref. No.	Part No.	Qty.	Description
28	58-3780	8	Tube-Space, Brake Calipers
29	29-1060	2	Bracket - Secondary
32	58-0110-03	2	Bracket-Caliper Brake
33	3296-39	4	Nut-Lock, NI
34	29-1070	2	Lever ASM
35	3272-6	4	Pin-Cotter
36	60-1740	4	Nut
37	58-2300	4	Link-Brake
38	283-67	4	Pin-Clevis
39	29-1080	4	Stator ASM
40	3256-3	4	Washer-Flat
41	3253-8	16	Washer-Lock
44	92-6058	2	Fitting - Hyd (only on: 03707)
44	92-6058	4	Fitting - Hyd (only on: 03706)
44:1	237-81	1	O-Ring
44:2	237-58	1	O-Ring
45	98-1282	2	Adapter-Hyd, Straight
45:1	237-22	1	O-Ring
45:2	237-118	1	O-Ring
46	98-1281	1	Adapter-Hyd, 90°
47	86-5480	2	Nipple-Test
48	353-947	2	Cap-Dust, Rubber



### Wheel Motor Assembly No. 58-5430

Ref. No.	Part No.	Qty.	Description
1	59-8340	1	Rotating Kit
2	59-8350	1	Camplate
3	59-8360	1	Shaft
4	59-8270	1	Plate
5	59-8300	1	Housing
6	59-8260	1	Ring
7	59-8290	3	Capscrew
8	33-3720	1	Washer
9	32151-13	1	Ring-Snap, Internal
10	32151-29	2	Ring-Snap, External
11	59-8370	1	Seal
12	252-66	1	Bearing-Thrust
13	252-71	1	Bearing-Thrust
14	59-8280	3	Capscrew
15	59-8320	1	Ring-Retaining
16	49-2640	1	Seal-Shaft
17	59-8380	1	Key
18	353-948	2	Plug
19	84-6440	1	Shield-Grass
20	237-118	2	O-Ring
21	60-3590	1	Bearing
22	60-3380	1	Bearing
23	59-8390	1	Seal Kit
24	66-5840	1	Seal Kit

Ref. No.	Part No.	Qty.	Description



Sheet No.:20

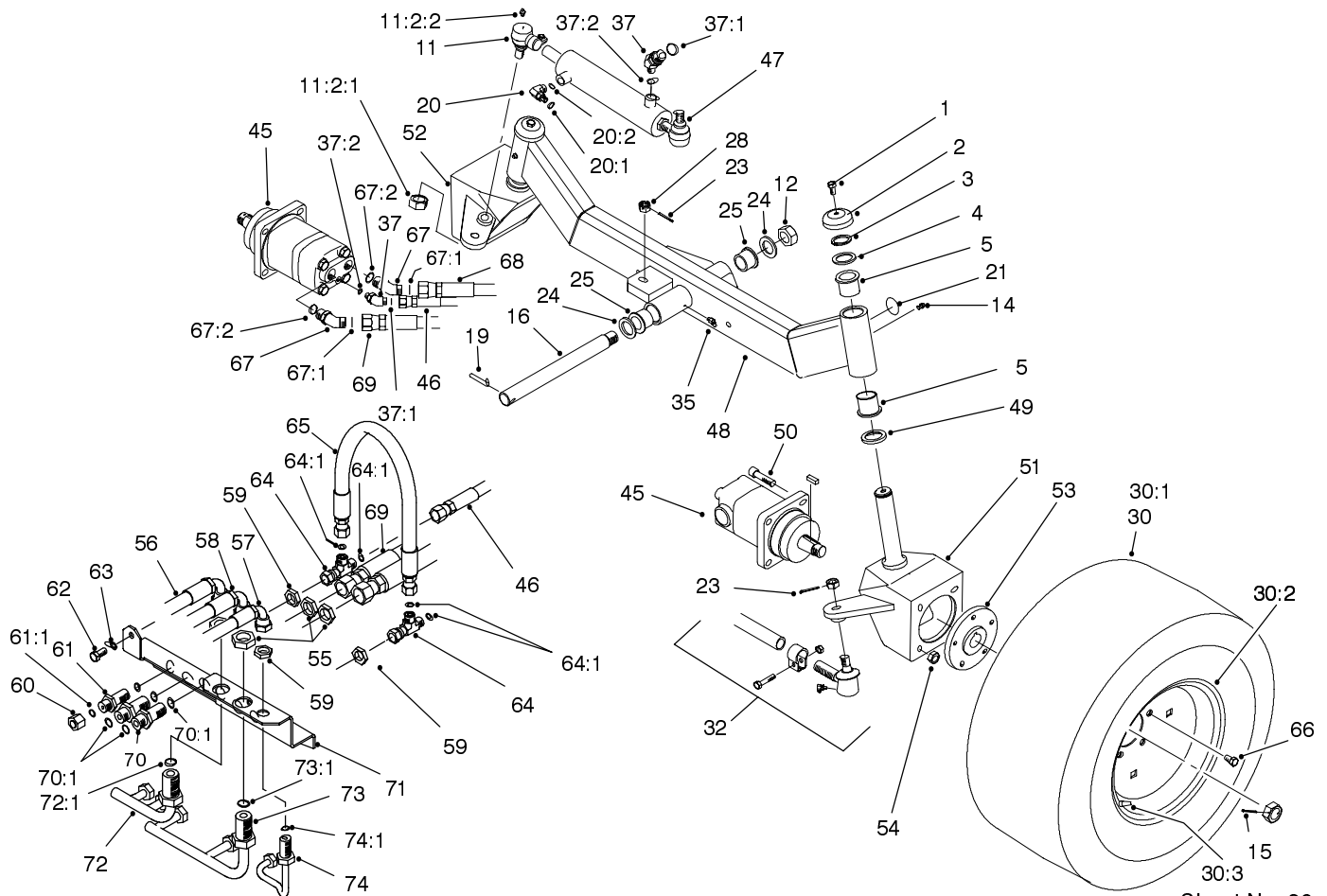
## Steering Axle Assembly (Model 03707 Only)

Ref. No.	Part No.	Qty.	Description
1	3234-12	2	Screw-HHF (only on: 03707)
2	69-8890	2	Cap-Spindle (only on: 03707)
3	32151-10	2	Ring-Snap (only on: 03707)
4	256-304	4	Washer-Thrust (only on: 03707)
5	69-6470	4	Bushing-Castor (only on: 03707)
11	69-9810-03	1	Ball Joint ASM (only on: 03707)
☆11:2		1	Ball Joint ASM (only on: 03707)
11:2:1	32136-13	1	Nut-Hex, Slotted (only on: 03707)
11:2:2	302-55	1	Zerk (only on: 03707)
12	3296-49	1	Nut-Lock NI (only on: 03707)
14	302-5	2	Fitting-Grease (only on: 03707)
15	3272-13	2	Pin-Cotter (only on: 03707)
16	82-9210	1	Shaft - Pivot (only on: 03707)
19	60-3670	1	Pin (only on: 03707)

Ref. No.	Part No.	Qty.	Description
20	340-97	1	Fitting-Hyd, 90 (only on: 03707)
20:1	237-22	1	O-Ring (only on: 03707)
20:2	237-78	1	O-Ring (only on: 03707)
21	58-6520	2	Decal-Grease (only on: 03707)
23	3272-12	4	Pin-Cotter (only on: 03707)
24	48-6660	2	Washer (only on: 03707)
25	48-6640	2	Bearing (only on: 03707)
28	32136-13	2	Nut-Hex, Slotted (only on: 03707)
30	69-9870	2	Wheel ASM (only on: 03707)
30:1	69-9880	1	Tire (only on: 03707)
30:2	217-116	1	Rim-Wheel (only on: 03707)
30:3	232-27	1	Stem-Valve (only on: 03707)
32	82-9260-03	1	Tie Rod ASM (only on: 03707)

☆ Not serviced



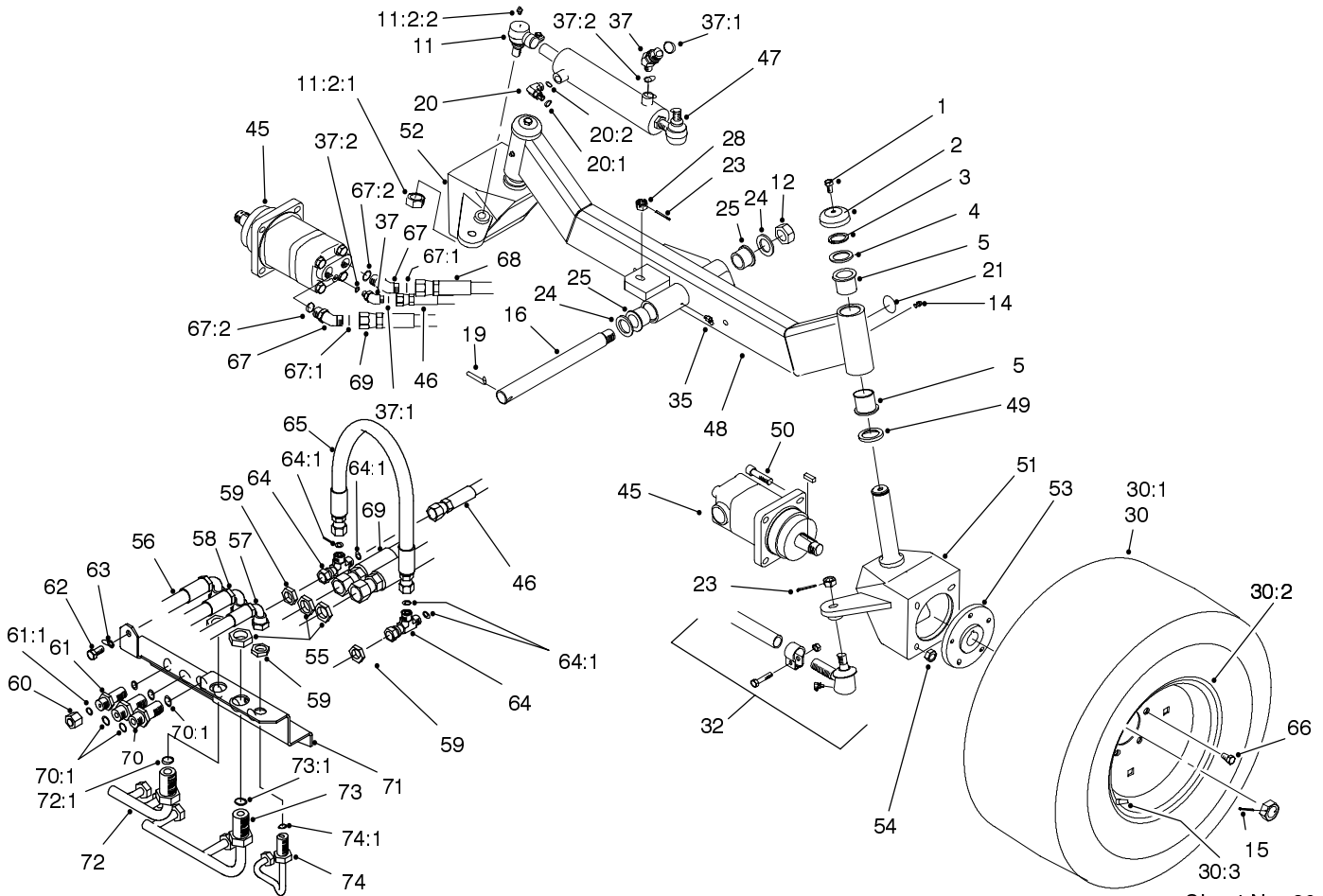


Sheet No.:20

## Steering Axle Assembly (Model 30707 Only - Continued)

Ref. No.	Part No.	Qty.	Description
35	302-11	1	Fitting-,Lube, 45° (only on: 03707)
37	340-54	2	Elbow-45 (only on: 03707)
37:1	237-22	1	O-Ring (only on: 03707)
37:2	237-78	1	O-Ring (only on: 03707)
45	92-4724	2	Motor - Wheel (only on: 03707)
46	92-5664	2	Hose ASM (only on: 03707)
47	92-6057	1	Cylinder-Steering (only on: 03707)
48	92-4755-03	1	Axle-Rear (only on: 03707)
49	86-6560	2	Washer-Thrust (only on: 03707)
50	3274-5	8	Screw-HSH (only on: 03707)
51	92-4779-03	1	Housing-LH Motor (only on: 03707)
52	92-4787-03	1	Housing-RH Motor (only on: 03707)
53	92-4749-03	2	Hub-Wheel (only on: 03707)

Ref. No.	Part No.	Qty.	Description
54	3296-23	8	Nut-Lock, NI (only on: 03707)
55	340-74	6	Locknut-Bulkhead (only on: 03707)
56	92-5698	1	Hose ASM (only on: 03707)
57	92-5688	1	Hose ASM (only on: 03707)
58	92-5686	1	Hose ASM (only on: 03707)
59	340-70	3	Locknut-Bulkhead (only on: 03707)
60	340-117	1	Cap (only on: 03707)
61	340-71	2	Fitting-Straight, Bulkhead (only on: 03707)
61:1	237-22	2	O-Ring (only on: 03707)
62	323-4	2	Screw-HH (only on: 03707)
63	3253-21	2	Washer-Lock (only on: 03707)
64	340-115	2	Fitting-Tee (only on: 03707)
64:1	237-22	2	O-Ring (only on: 03707)

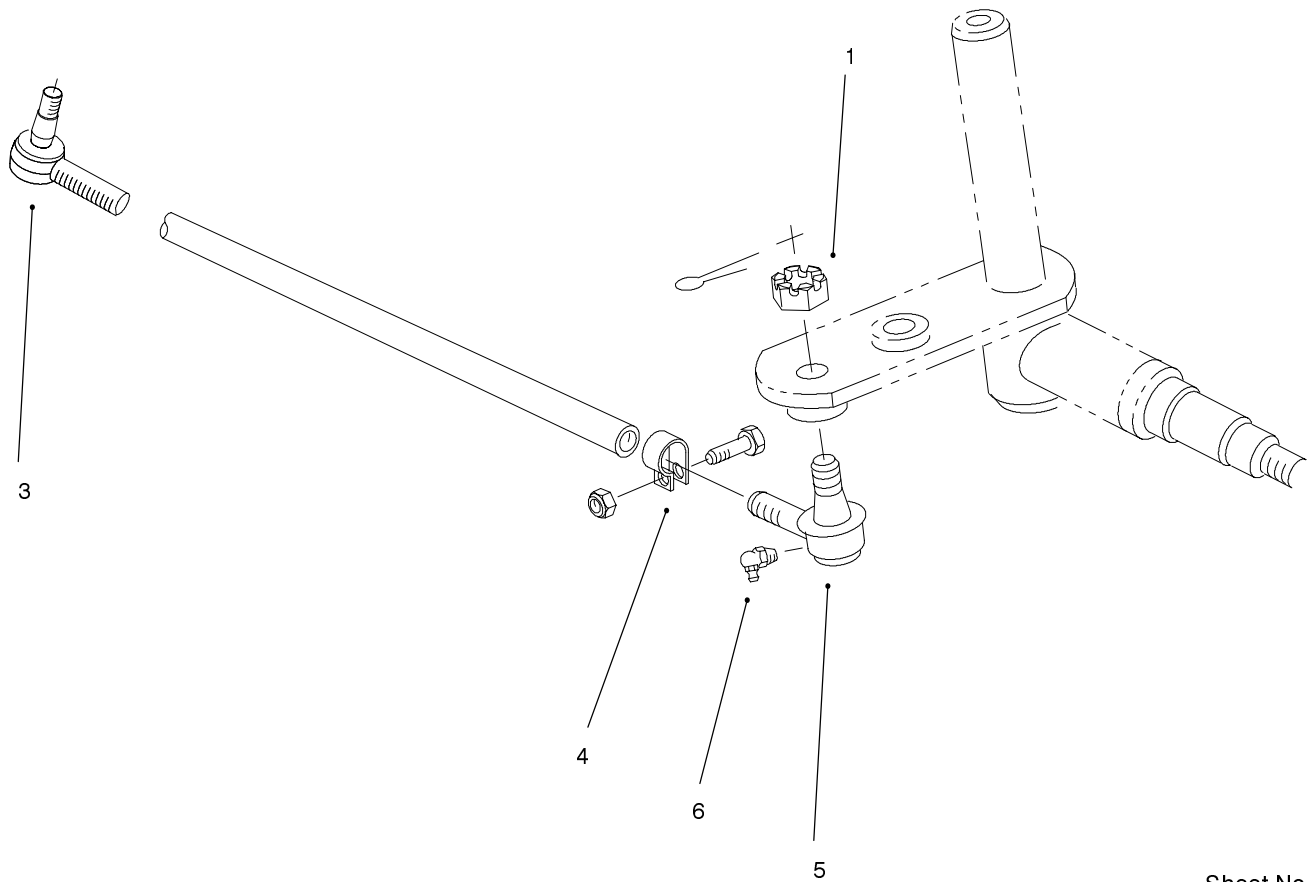


Sheet No.:20

## Steering Axle Assembly (Model 30707 Only - Continued)

Ref. No.	Part No.	Qty.	Description
65	92-5665	1	Hose ASM (only on: 03707)
66	83-2720	10	Lug-Bolt (only on: 03707)
67	340-14	4	Fitting-Hyd., 45° (only on: 03707)
67:1	237-65	1	O-Ring (only on: 03707)
67:2	237-80	1	O-Ring (only on: 03707)
68	94-8271	2	Traction Hose ASM (only on: 03707)
69	94-8272	2	Traction Hose ASM (only on: 03707)
70	340-76	4	Fitting-Bulkhead Union, Straight (only on: 03707)
70:1	237-65	2	O-Ring (only on: 03707)
71	94-8277-03	1	Bracket - Bulkhead (only on: 03707)
72	94-8275	1	Inner Tube ASM (only on: 03707)
72:1	237-65	1	O-Ring (only on: 03707)

Ref. No.	Part No.	Qty.	Description
73	94-8276	1	Outer Tube ASM (only on: 03707)
73:1	237-65	1	O-Ring (only on: 03707)
74	94-8278	1	Case Drain Tube ASM (only on: 03707)
74:1	237-22	1	O-Ring (only on: 03707)

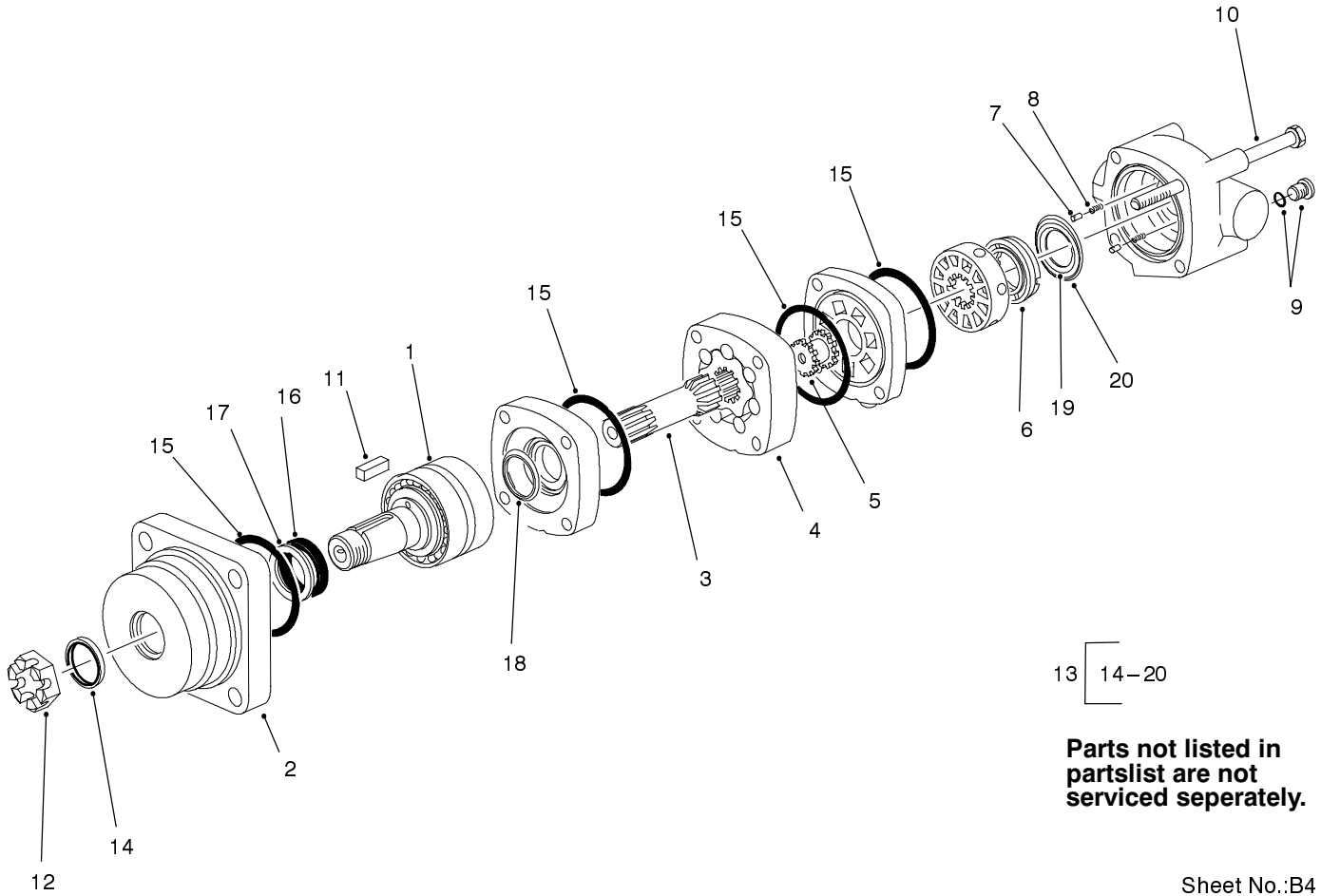


Sheet No.:B3  
T-3672

### Tie Rod Assembly No. 82-9260-03

Ref. No.	Part No.	Qty.	Description
1	32136-2	2	Nut-SHH (only on: 03707)
3	2116-4	1	End-Tie Rod (only on: 03707)
4	2412-7	2	Clamp-Hose (only on: 03707)
5	2116-3	1	End-Tie Rod (only on: 03707)
6	302-33	2	Fitting-Grease (only on: 03707)

Ref. No.	Part No.	Qty.	Description

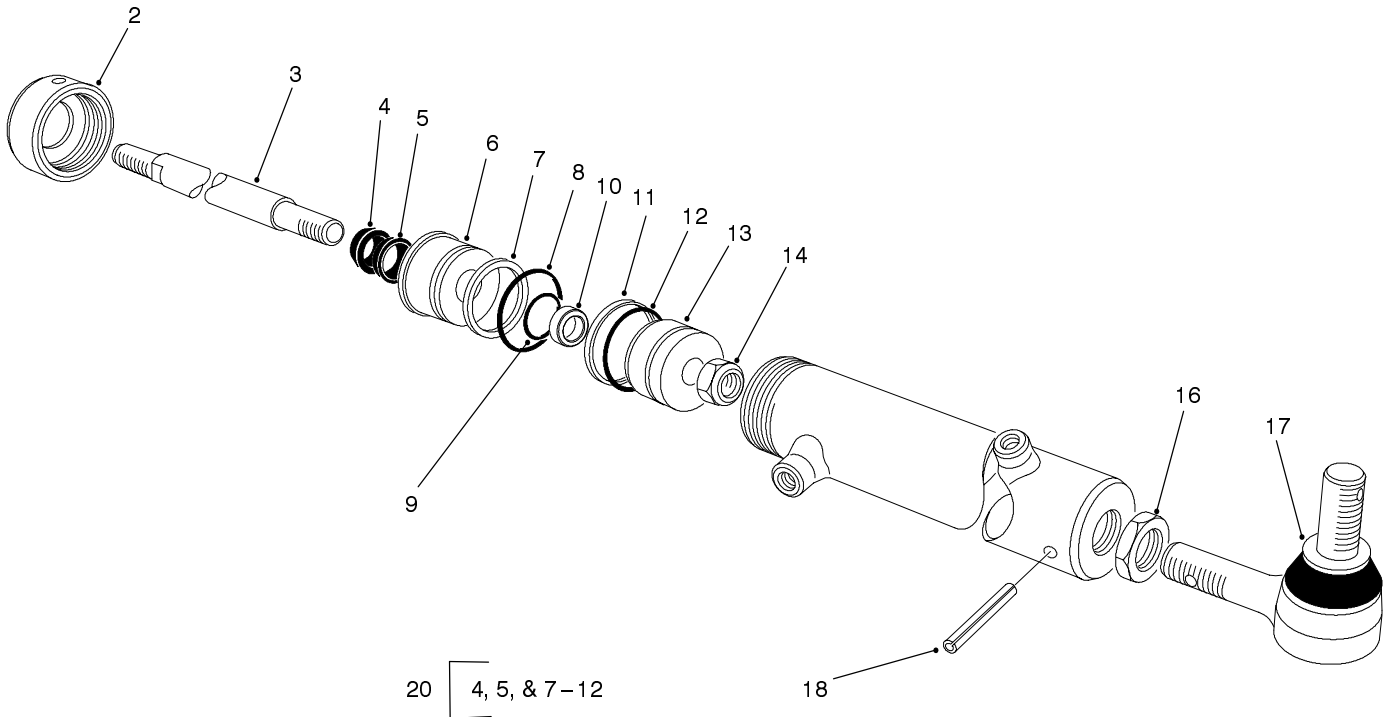


Sheet No.:B4  
T-3673

## Hydraulic Motor Assembly No. 92-4724

Ref. No.	Part No.	Qty.	Description
1	56-6860	1	Shaft Sub ASM (only on: 03707)
2	56-6850	1	Housing-Bearing (only on: 03707)
3	36-6270	1	Drive (only on: 03707)
4	56-6810	1	Geroter ASM (only on: 03707)
5	36-6260	1	Drive-Valve (only on: 03707)
6	33-3440	1	Plate-Balancing (only on: 03707)
7	33-3570	2	Pin (only on: 03707)
8	33-3410	2	Spring (only on: 03707)
9	33-3580	1	Plug ASM (only on: 03707)
10	57-6030	4	Capscrew (only on: 03707)
11	11-5790	1	Key (only on: 03707)
12	11-5800	1	Nut-Slotted (only on: 03707)
13	56-6890	1	Kit-Seal (only on: 03707)

Ref. No.	Part No.	Qty.	Description



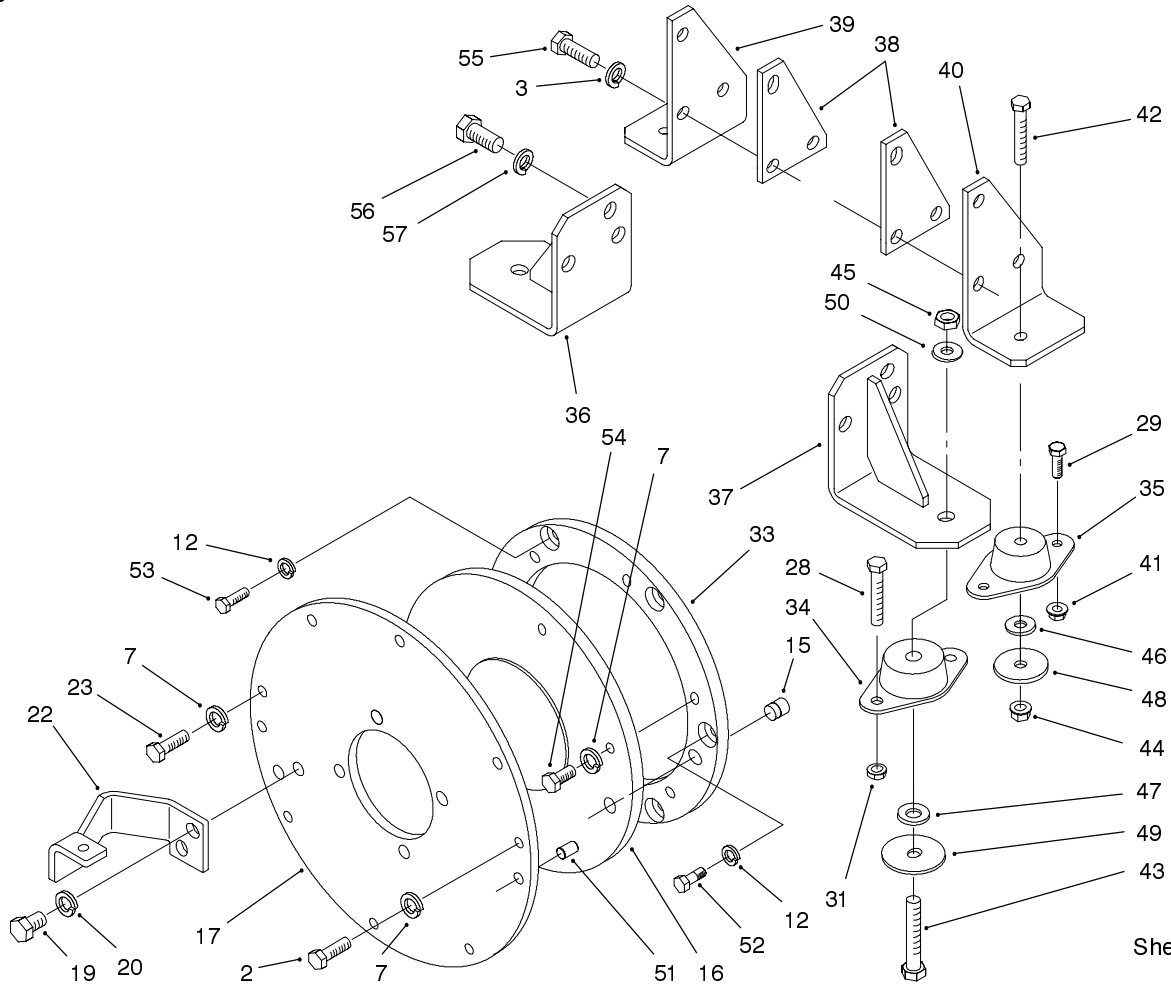
**Parts not listed in  
partlist are not  
serviced seperately.**

Sheet No.:B5  
T-3674

## Hydraulic Cylinder Assembly No. 92-6057

Ref. No.	Part No.	Qty.	Description
2	82-5780	1	Cap-Thread (only on: 03707)
3	82-5770	1	Rod (only on: 03707)
6	82-5790	1	Head-Thread Cap (only on: 03707)
13	82-5760	1	Piston (only on: 03707)
14	82-5750	1	Nut - Lock, Elastic (only on: 03707)
16	82-5740	1	Nut-Jam (only on: 03707)
17	82-5730	1	Tie Rod End (only on: 03707)
18	32121-44	1	Pin - Roll (only on: 03707)
20	82-5800	1	Seal Kit (only on: 03707)

Ref. No.	Part No.	Qty.	Description

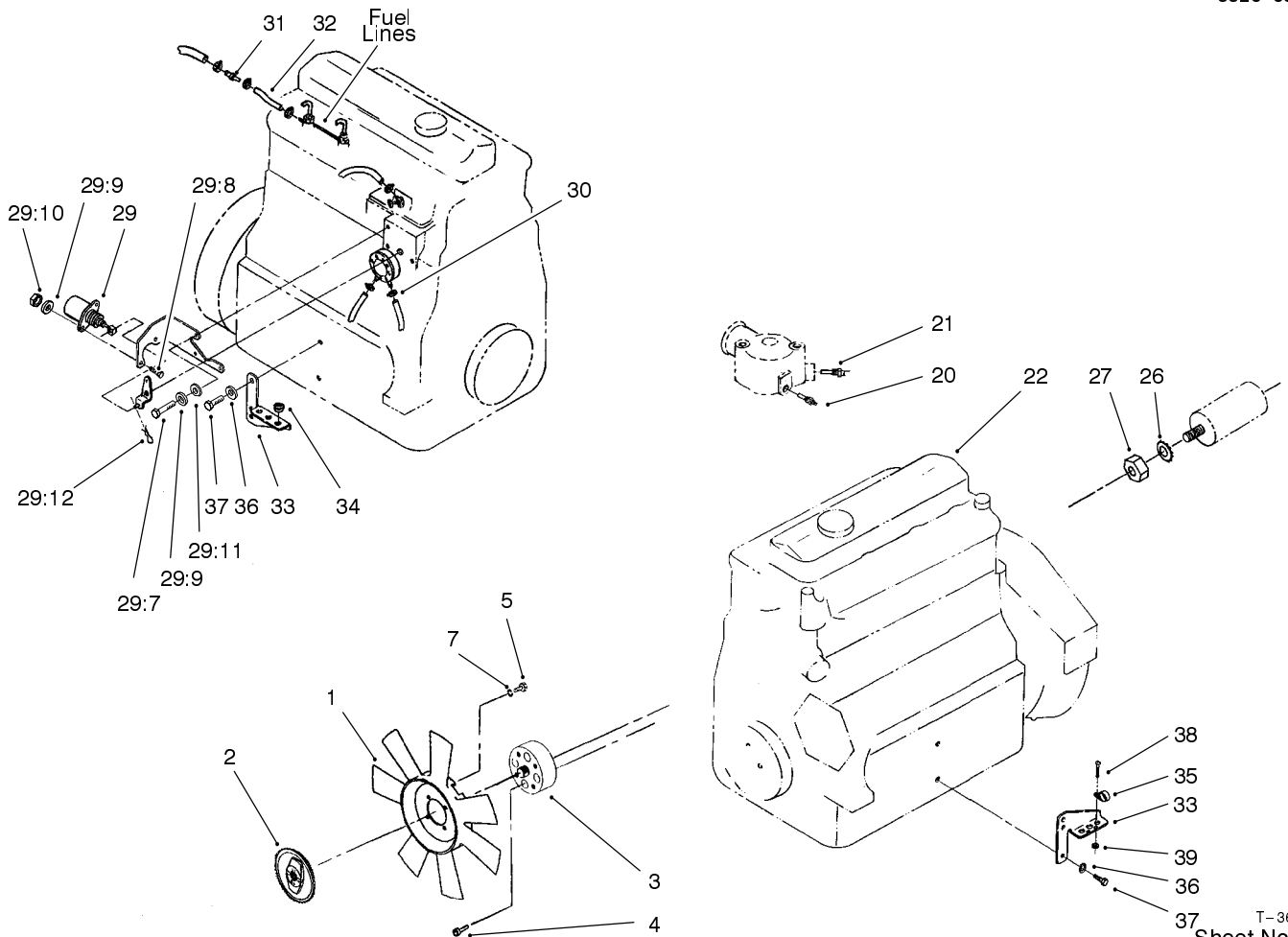


Sheet No.:21  
T-3675

## Engine Mounting Assembly

Ref. No.	Part No.	Qty.	Description
2	43-0090	7	Screw-HH
3	48-8070	6	Washer-Lock
7	48-9590	14	Washer-Lock
12	42-9850	6	Washer-Lock, Spring
15	58-3590	2	Dowel
16	92-1753	1	Coupling-Spring
17	98-1211-03	1	Plate - Adapter, Pump
19	3213-20	2	Screw-HH
20	3253-7	2	Washer-Lock
22	98-7066-03	1	Bracket - Damper
23	56-2140	1	Bolt
28	323-11	4	Screw-HH
29	322-5	4	Screw-HH
31	32128-21	4	Nut-HF
33	98-1210-03	1	Spacer-Coupler
34	98-3024	2	Mount-Engine
35	83-1030	2	Mount-Engine
36	98-1207-03	1	Bracket-Front, RH
37	98-1206-03	1	Bracket-Front, LH
38	98-1200-03	2	Spacer
39	98-1204-03	1	Bracket-Engine, RH Rear
40	98-1205-03	1	Bracket-Engine, LH Rear
41	32128-20	4	Nut-HF
42	323-11	2	Screw-HH

Ref. No.	Part No.	Qty.	Description
43	33116-070	2	Screw-HH
44	32128-43	2	Nut-Flange
45	48-9530	2	Nut
46	80-6990	2	Washer-Hardened
47	3256-26	2	Washer-Flat
48	63-7400	2	Washer-Rebound
49	87-5100	2	Washer - Snubbing
50	43-5940	2	Lockwasher-Spring
51	98-1212	2	Pin - Pump Plate
52	98-1213	2	Bolt - Shoulder
53	33114-020	4	Screw-HH
54	70-8470	6	Screw-HH
55	43-3180	6	Screw-HH
56	43-3210	6	Screw-HH
57	43-5950	6	Washer-Lock, Spring

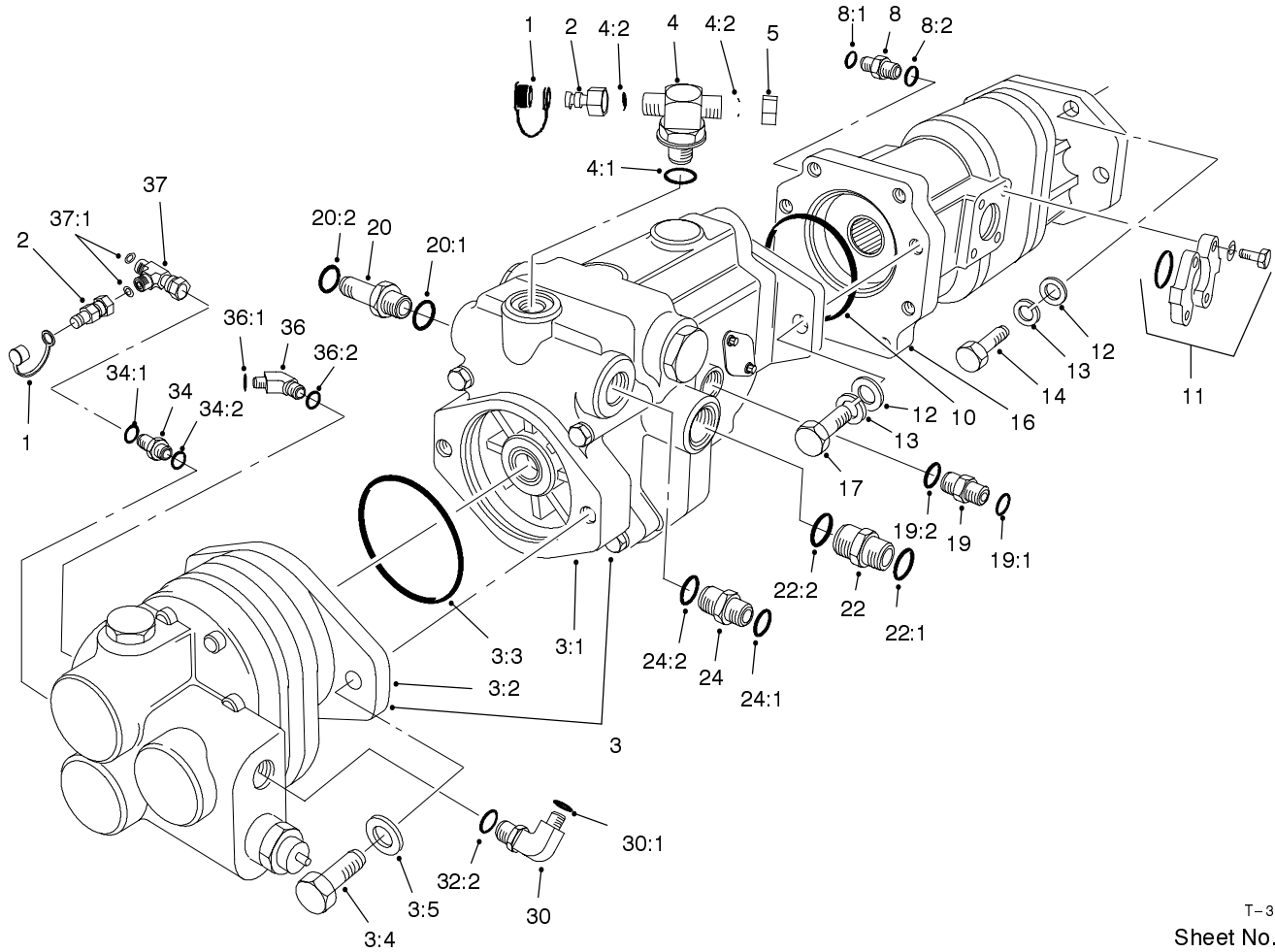


T-3676  
Sheet No.:22

## Engine Assembly

Ref. No.	Part No.	Qty.	Description
1	92-2961	1	Fan
2	93-1430	1	Drive-Fan
3	98-1242	1	Adapter-Fan
4	52-6290	4	Screw-HH
5	322-2	8	Screw-HH
7	3253-4	8	Washer-Lock
20	98-3824	1	Switch-Temp
21	98-3825	1	Switch-Temp
22	95-4395	1	Engine-Kubota V2203
26	3255-8	1	Washer-Lock/Ext
27	33014-00	1	Nut-Hex
29	98-3817	1	Kit - Solenoid
29:7	33113-025	3	Screw-HH
29:8	33113-016	2	Screw-HH
29:9	48-8020	5	Washer-Spring
29:10	33013-00	2	Nut-Hex
29:11	33093-00	3	Washer-Flat
29:12	3272-2	1	Pin-Cotter
30	2412-108	6	Clamp-Worm
31	98-3818	1	Union - Mini Barb
32	75-4706	1	Hose-Fuel
33	98-1293-01	2	Bracket-Line
34	240-9	3	Grommet
35	2412-83	2	Clamp-Cable
36	43-5940	4	Lockwasher-Spring
37	42-9250	4	Bolt

Ref. No.	Part No.	Qty.	Description
38	32105-13	2	Screw-Shh
39	3296-2	2	Nut-Lock



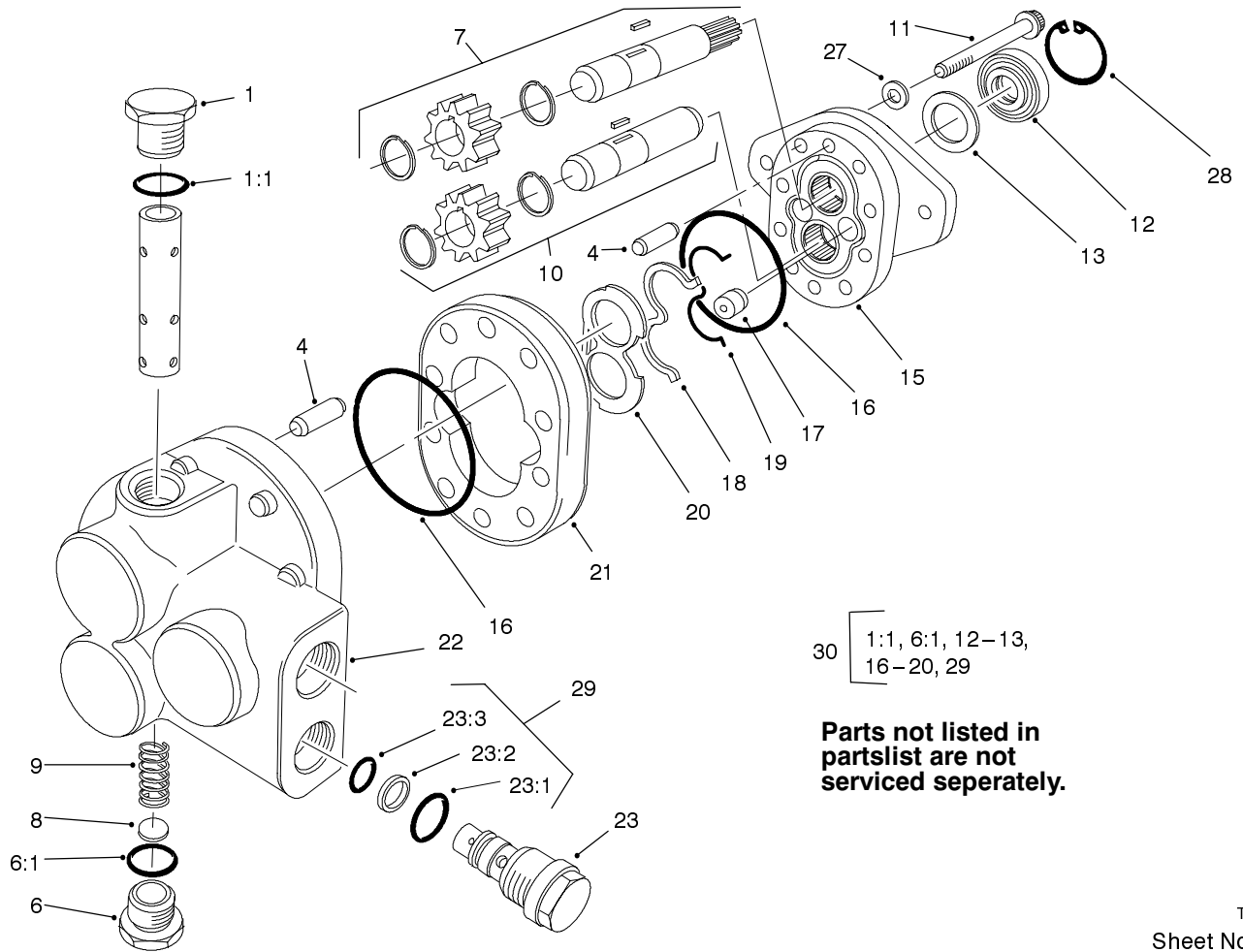
T-3677  
Sheet No.:23

## Hydraulic Pump Components

Ref. No.	Part No.	Qty.	Description
1	353-947	2	Cap-Dust, Rubber
2	86-5480	2	Nipple-Test
3	99-6493	1	Tandem Pump ASM
3:1	99-6495	1	Gear Pump ASM
3:2	99-6494	1	Variable Piston Pump ASM
3:3	60-3520	1	O-Ring
3:4	60-3530	2	Bolt
3:5	60-3540	2	Washer
4	92-4799	1	Fitting - Hyd, Tee
4:1	237-79	1	O-Ring
4:2	237-22	2	O-Ring
5	340-117	1	Cap
8	340-8	1	Adapter
8:1	237-65	1	O-Ring
8:2	237-81	1	O-Ring
10	59-8550	1	O Ring
11	340-62	1	Flange Kit
12	3256-26	6	Washer-Flat
13	3253-7	6	Washer-Lock
14	3213-2	4	Screw-HH
16	86-6000-01	1	Pump - GTS20
17	325-5	2	Screw-HH
19	340-2	1	Adapter
19:1	237-22	1	O-Ring
19:2	237-42	1	O-Ring

Ref. No.	Part No.	Qty.	Description
20	92-6058	1	Fitting - Hyd
20:1	237-81	1	O-Ring
20:2	237-58	1	O-Ring
22	340-9	1	Fitting-Straight
22:1	237-58	1	O-Ring
22:2	237-81	1	O-Ring
24	340-4	1	Adapter
24:1	237-30	1	O-Ring
24:2	237-79	1	O-Ring
30	340-15	1	Adapter
30:1	237-58	1	O-Ring
30:2	237-146	1	O-Ring
34	340-3	1	Adapter
34:1	237-22	1	O-Ring
34:2	237-79	1	O-Ring
36	340-89	1	Fitting-45°
36:1	237-30	1	O-Ring
36:2	237-80	1	O-Ring
37	340-115	1	Fitting-Tee
37:1	237-22	2	O-Ring





30 1:1, 6:1, 12-13,  
16-20, 29

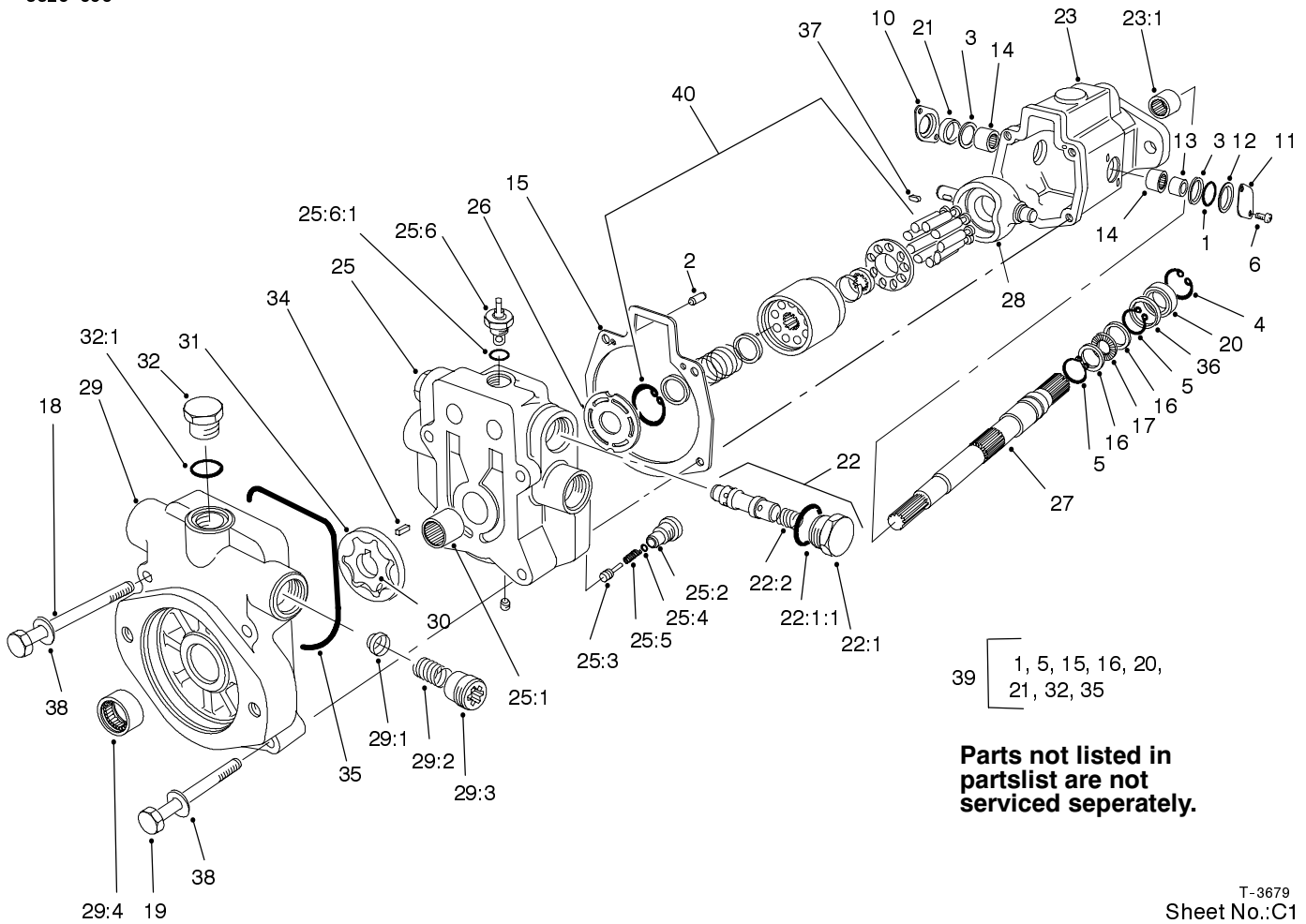
Parts not listed in partslist are not serviced separately.

T-3678  
Sheet No.:B9

## Gear Pump Assembly No. 99-6495

Ref. No.	Part No.	Qty.	Description
1	60-5860	1	Plug
1:1	60-5720	1	Ring
4	60-5760	1	Pin
6	60-5710	1	Plug
6:1	60-5720	1	Ring
7	99-8591	1	Drive Gear ASM
8	60-5730	1	Disc
9	60-5820	1	Spring
10	99-8592	1	Idler Gear ASM
11	42-3140	8	Capscrew
12	49-2640	1	Seal-Shaft
13	60-5890	1	Washer
15	95-4362	1	Plate-Front
16	56-6710	2	O-Ring - Motor, Gear
17	94-3011	1	Plug
18	95-4369	1	Seal
19	95-4367	1	Gasket-Back-Up
20	95-4368	1	Plate-Wear
21	99-8589	1	Body ASM
22	99-8590	1	Back Plate-Flow Divider
23	92-9253	1	Valve-Relief
23:1	92-9255	1	O-Ring
23:2	92-9256	1	Washer - Backup
23:3	92-9254	1	O-Ring
27	94-8160	4	Washer

Ref. No.	Part No.	Qty.	Description
28	99-8593	1	Ring-Retaining
29	92-9257	1	Seal Kit
30	99-8594	1	Seal Kit

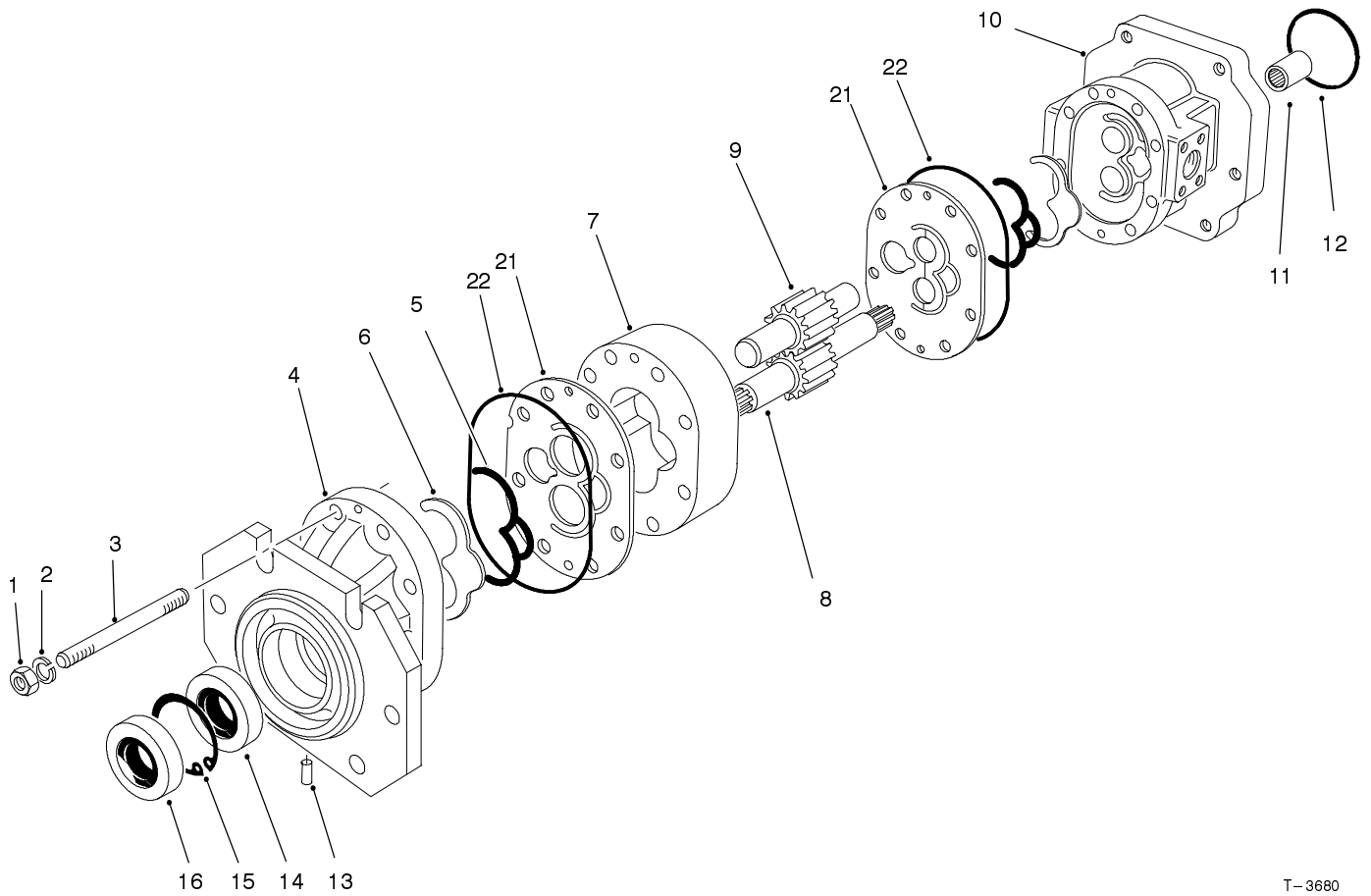


T-3679  
Sheet No.:C1

## Variable Piston Pump Assembly No. 99-6494

Ref. No.	Part No.	Qty.	Description
1	60-6190	1	O Ring
2	95-6050	2	Pin-Dowel
3	60-6250	2	Washer
4	60-6260	1	Ring
5	60-6270	2	Ring
6	60-6330	4	Screw
10	60-6120	1	Cover-Seal
11	60-6010	1	Cover-Trunnion
12	99-8702	1	Cover - O-Ring
13	60-5990	1	Race
14	60-6110	2	Bearing
15	60-6130	1	Gasket
16	60-6160	2	Race
17	60-6170	1	Needle
18	60-6230	2	Screw-HH
19	60-6220	2	Screw-HH
20	60-6300	1	Seal
21	42-2720	1	Seal-External
22	68-6460	2	Relief Valve Kit
22:1	70-1240	1	Plug ASM
22:1:1	60-5980	1	O-Ring
22:2	99-8700	1	Spring
23	99-8703	1	Housing ASM
23:1	63-4390	1	Bearing-Needle
25	99-8705	1	Backplate ASM
25:1	60-6050	1	Bearing

Ref. No.	Part No.	Qty.	Description
25:2	60-6060	1	Cartridge
25:3	60-6070	1	Poppet
25:4	60-6080	1	Ring
25:5	60-6090	1	Spring
25:6	39-2080	1	Tow Valve ASM
25:6:1	60-6290	1	O Ring
26	99-8704	1	Plate-Valve
27	60-6140	1	Shaft
28	60-6020	1	Camplate
29	60-6200	1	Adapter
29:1	33-4990	1	Poppet
29:2	39-2140	1	Spring
29:3	39-2130	1	Retainer-Spring
29:4	60-6150	1	Bearing
30	99-8706	1	Gerotor-Inner
31	99-8707	1	Gerotor-Outer
32	60-6280	1	Plug
32:1	60-6290	1	O Ring
34	60-6320	1	Key
35	99-8708	1	O-Ring
36	60-6240	1	Washer
37	60-6310	1	Key
38	3256-73	4	Washer-Flat
39	95-6056	1	Seal Kit
40	99-8701	1	Rotating Kit ASM



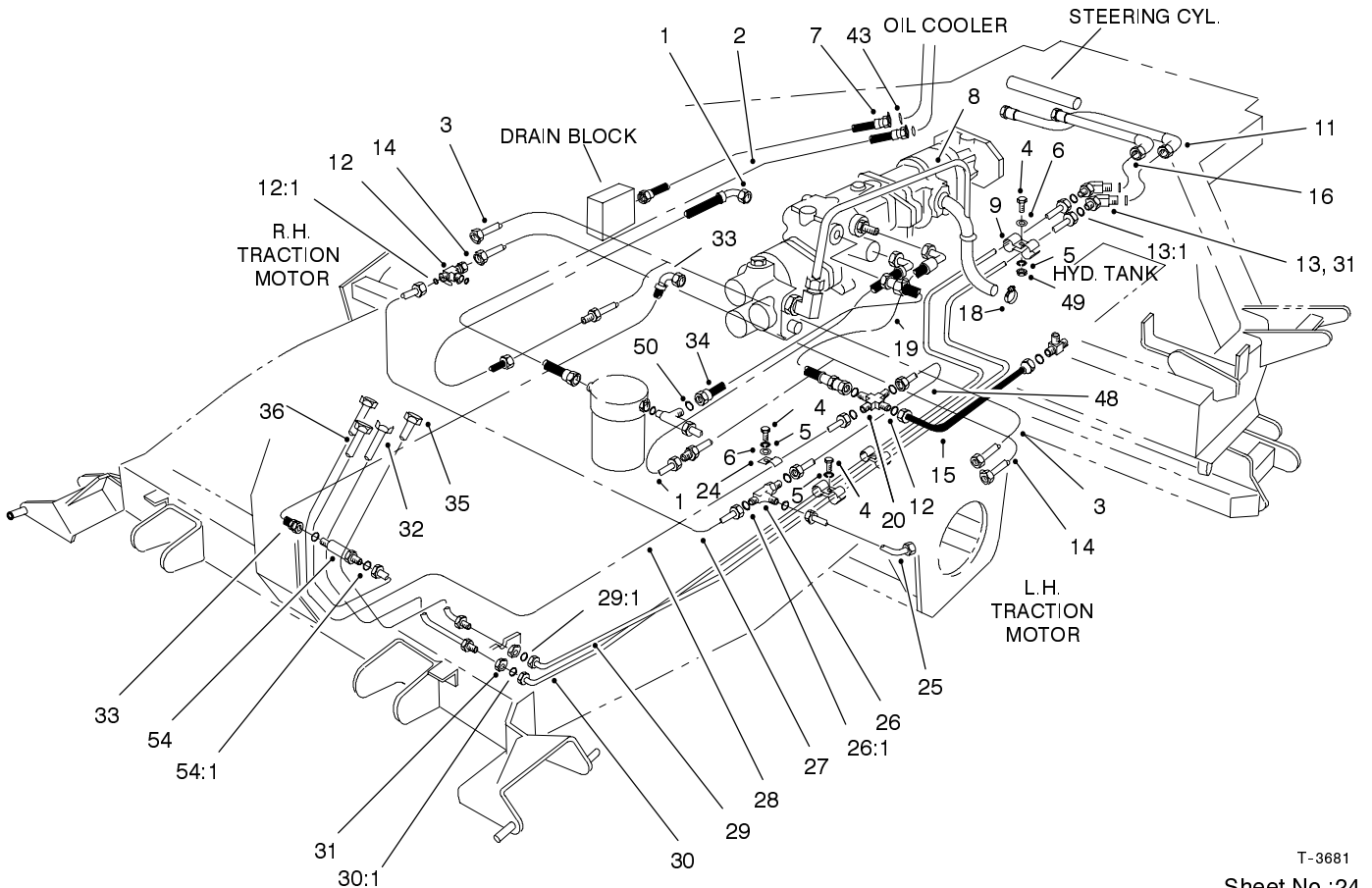
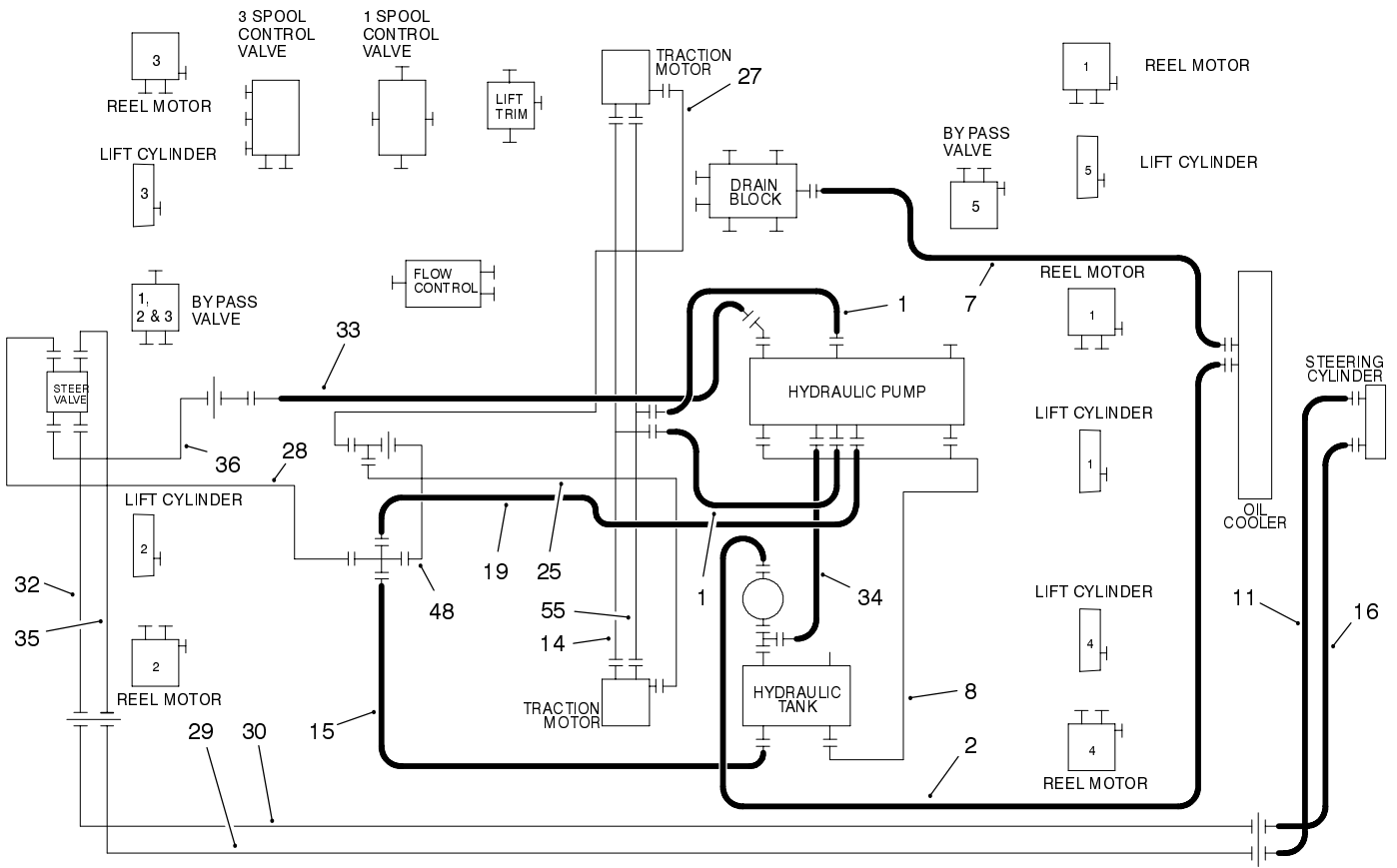
T-3680  
Sheet No.:C2

## Pump Assembly No. 86-6000-01

Ref. No.	Part No.	Qty.	Description
1	59-7580	8	Nut
2	59-7590	8	Lockwasher
3	59-7970	8	Stud
4	86-6010	1	Cover-Front
5	59-7990	2	Seal
6	59-8470	2	Retainer
7	86-6020	1	Section-Center
8	59-8500	1	Gear
9	59-8600	1	Gear
10	86-6030	1	Port Section - Rear
11	59-8540	1	Coupling
12	86-6040	1	O-Ring
13	86-6050	1	Plug
14	59-8570	1	Seal
15	59-8580	1	Ring
16	59-8590	1	Seal
21	86-6070	2	Plate-Rear
22	86-6080	2	O-Ring

Ref. No.	Part No.	Qty.	Description

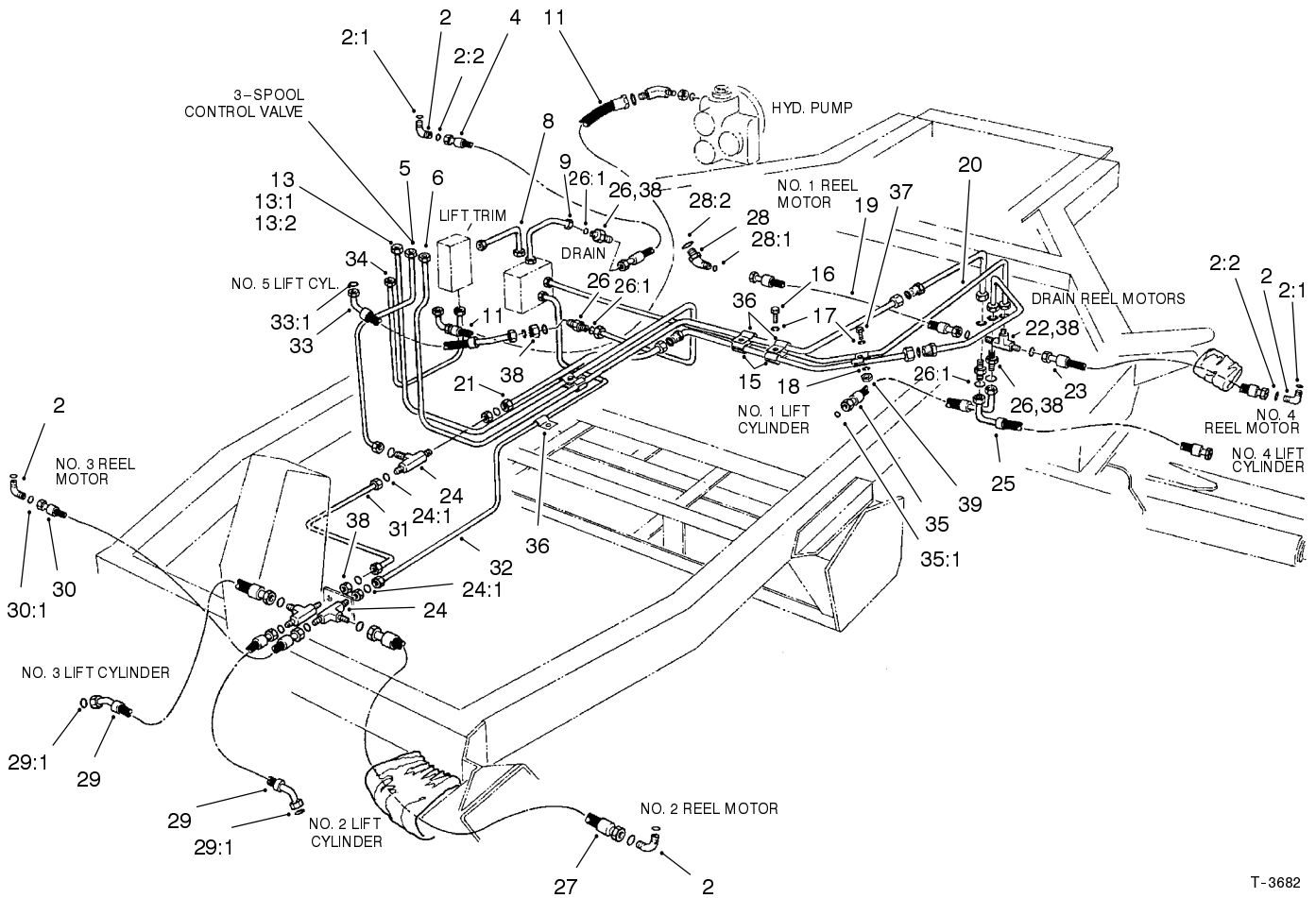
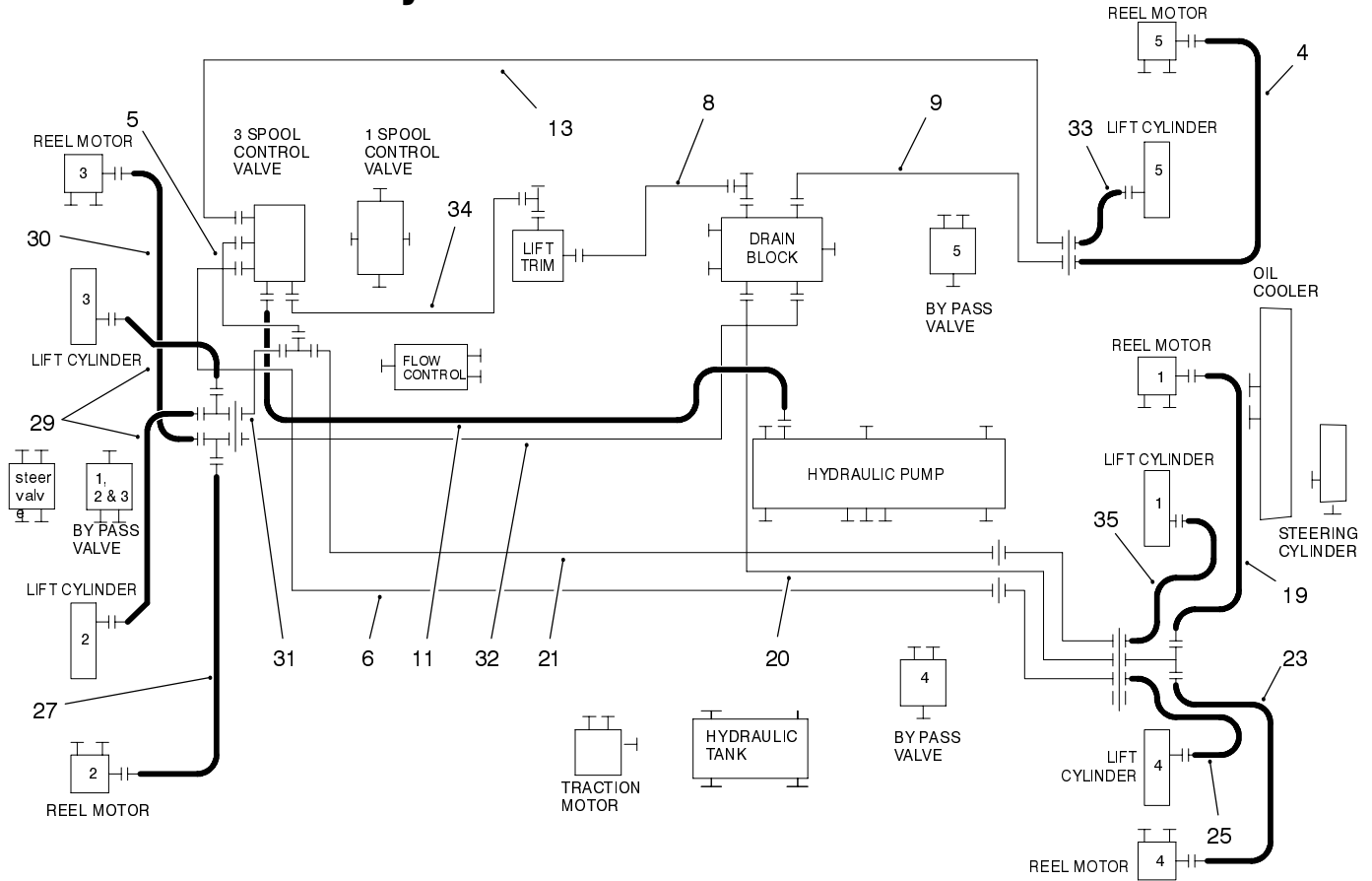
# Hydraulic Circuit-Traction and Steering Circuit



## Hydraulic Circuit-Traction and Steering Circuit

Ref. No.	Part No.	Qty.	Description	Ref. No.	Part No.	Qty.	Description
1	58-5860	2	Hose ASM				
2	75-8200	1	Hose-Filter/Cooler				
3	92-5677	1	Tube - Traction (only on: 03707)				
3	92-9202	2	Tube-Traction (only on: 03706)				
4	33113-025	4	Screw-HH				
5	43-5930	5	Washer-Spring				
6	33093-00	3	Washer-Flat				
7	75-8210	1	Hose-Manifold/Cooler				
8	60-1900	1	Tube				
9	58-3880	4	Clamp-Double				
11	98-7415	1	Hose - Hydraulic				
12	92-4748	2	Adapter-Hyd, Tee (only on: 03707)				
12:1	237-58	2	O-Ring (only on: 03707)				
13	340-69	2	Elbow-Bulkhead, 45 DEG				
13:1	237-22	2	O-Ring				
14	92-4726	1	Tube - Traction (only on: 03707)				
15	92-5694	1	Hose ASM				
16	98-7416	1	Hose - Hydraulic (only on: 03707)				
16	98-7414	1	Hose - Hydraulic (only on: 03706)				
18	2412-92	2	Clamp-Hose				
19	60-1250	1	Hose-Drain, Traction Pump				
20	340-23	1	Cross-Union				
20:1	237-22	4	O-Ring				
24	60-1360	1	Clamp-Single				
25	58-4790	1	Tube-Steel				
26	340-68	1	Fitting-Tee, Bulkhead				
26:1	237-22	3	O-Ring				
27	58-4860	1	Tube-Steel				
28	74-2820	1	Tube ASM				
29	98-3843	1	Tube - Steel, RH Steer				
29:1	237-22	1	O-Ring				
30	98-1262	1	Tube - Steel, LH Steer				
30:1	237-22	1	O-Ring				
31	340-70	4	Locknut-Bulkhead				
32	74-2780	1	Tube ASM				
33	58-5720	1	Hose ASM				
34	58-5870	1	Hose ASM				
35	74-2810	1	Tube ASM				
36	74-2790	1	Tube ASM				
43	340-65	2	O Ring				
48	58-4710	1	Tube-Steel				
49	48-7890	2	Nut				
50	237-30	1	O-Ring				
54	340-71	1	Fitting-Straight, Bulkhead				
54:1	237-22	2	O-Ring				

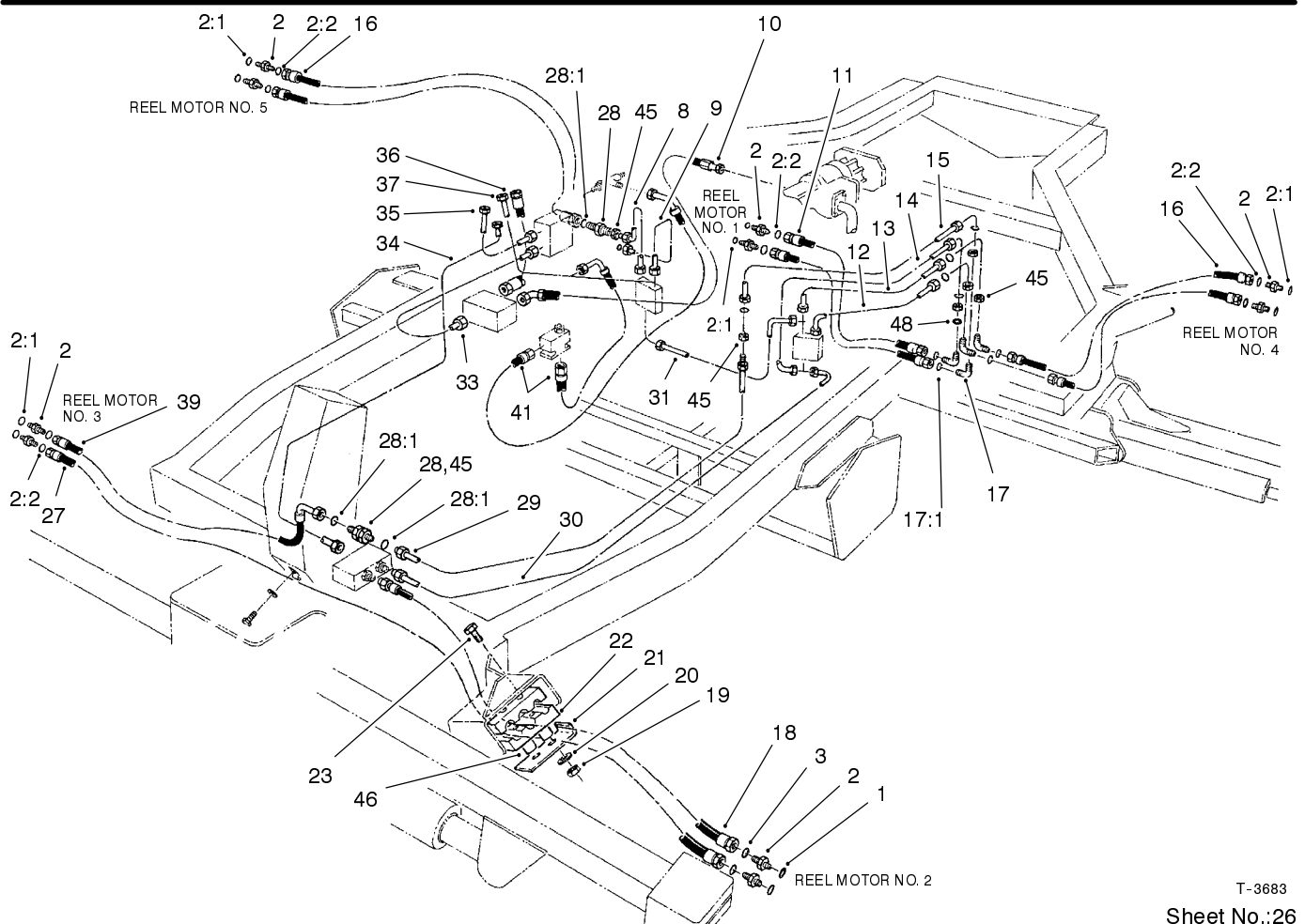
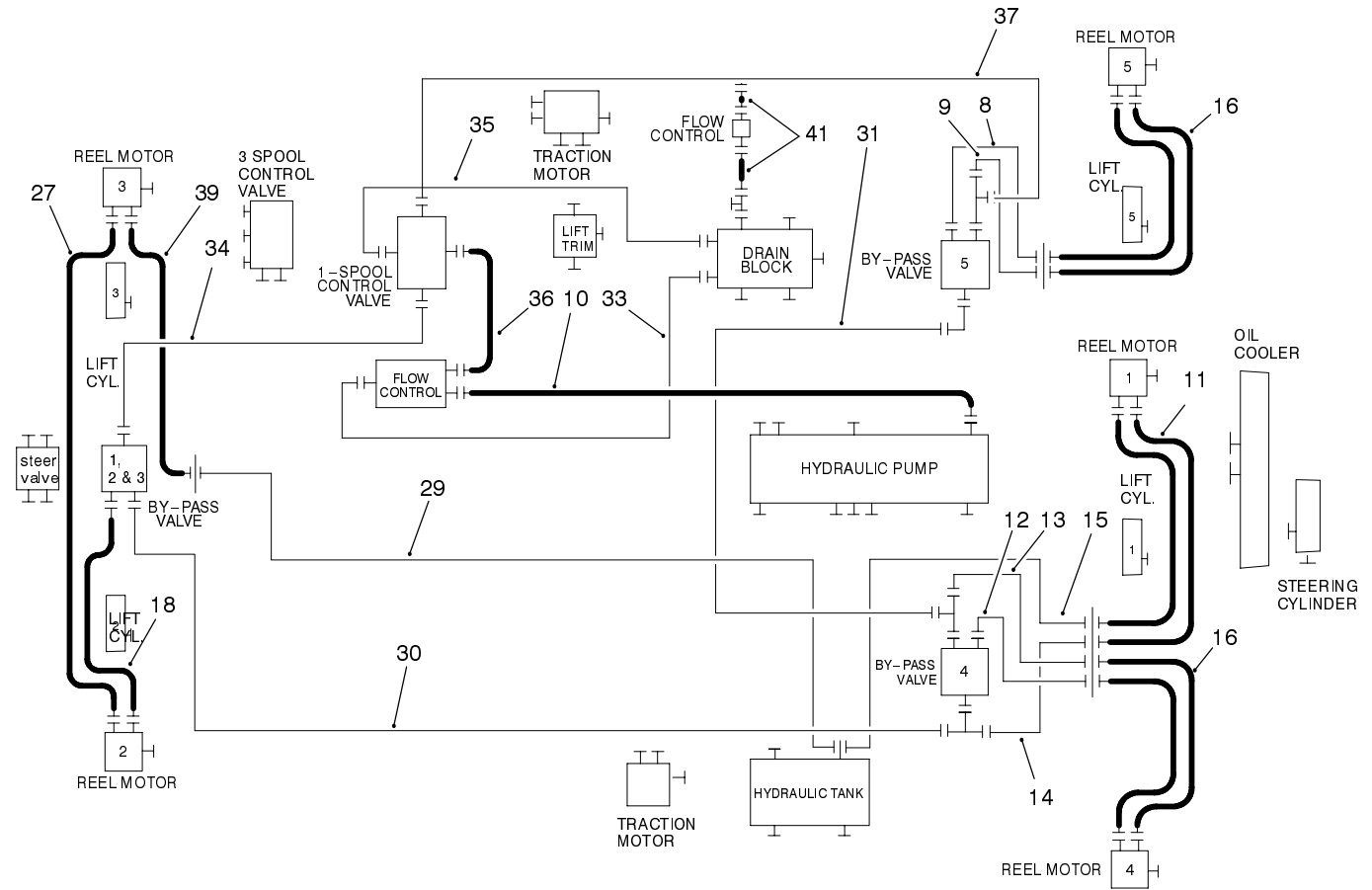
# Hydraulic Circuit-Lift Arms



## Hydraulic Circuit-Lift Arms

Ref. No.	Part No.	Qty.	Description	Ref. No.	Part No.	Qty.	Description
2	340-77	4	Fitting-90°				
2:1	237-22	4	O-Ring				
2:2	237-42	4	O-Ring				
4	98-7413	1	Hose ASM				
5	58-4750	1	Tube-Steel				
6	93-1404	1	Tube-Steel				
8	63-4680	1	90° Tube ASM				
9	58-4780	1	Tube-Steel				
11	58-5710	1	Hose ASM				
13	68-6370	1	Hyd Tube Kit				
13:1	68-6380	1	Tube ASM				
13:2	68-6390	1	Tube ASM				
15	58-3880	5	Clamp-Double				
16	33113-050	2	Screw-HH				
17	43-5930	6	Washer-Spring				
18	33093-00	2	Washer-Flat				
19	98-7408	1	Hose ASM				
20	58-4850	1	Tube-Steel				
21	68-6270	1	Hyd Tube Kit				
21:1	68-6280	1	Tube ASM				
21:2	68-6290	1	Tube ASM				
21:3	68-6300	1	Tube ASM				
22	60-2180	1	Adaptor				
23	98-7406	1	Hose ASM				
24	340-68	3	Fitting-Tee, Bulkhead				
24:1	237-22	3	O-Ring				
25	98-7411	1	Hose ASM				
26	340-71	4	Fitting-Straight, Bulkhead				
26:1	237-22	4	O-Ring				
27	98-7410	1	Hose ASM				
27:1	237-22	1	O-Ring				
28	340-87	1	Fitting-45°				
28:1	237-22	1	O-Ring				
28:2	237-42	1	O-Ring				
29	98-7409	2	Hose ASM				
29:1	237-22	1	O-Ring				
30	98-7407	1	Hose ASM				
30:1	237-22	1	O-Ring				
31	58-4760	1	Tube-Steel				
32	58-4880	1	Tube-Steel				
33	98-7412	1	Hose ASM				
33:1	237-22	1	O-Ring				
34	58-4870	1	Tube-Steel				
35	98-7405	1	Hose ASM				
35:1	237-22	1	O-Ring				
36	60-1360	3	Clamp-Single				
37	33113-025	5	Screw-HH				
38	340-70	8	Locknut-Bulkhead				
39	48-7890	3	Nut				

# Hydraulic Circuit-Cutting Units



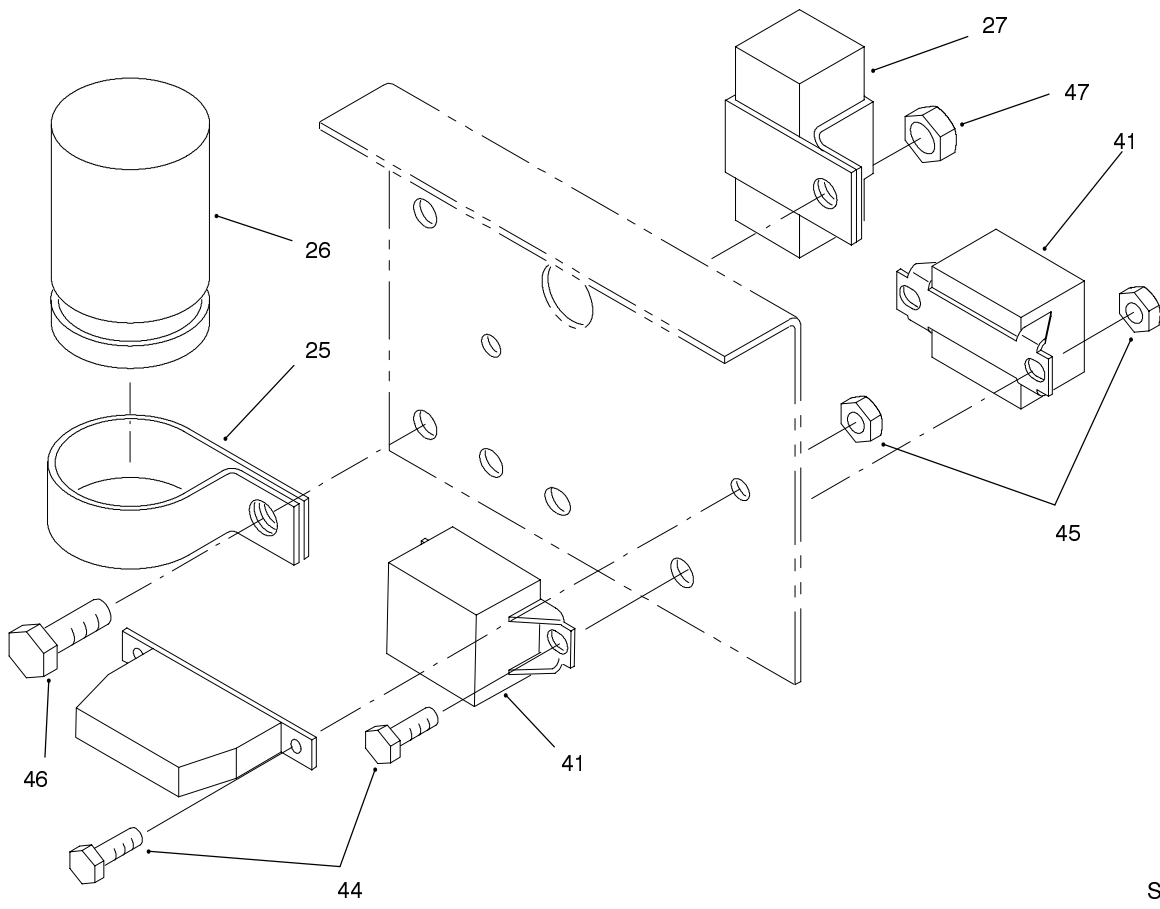
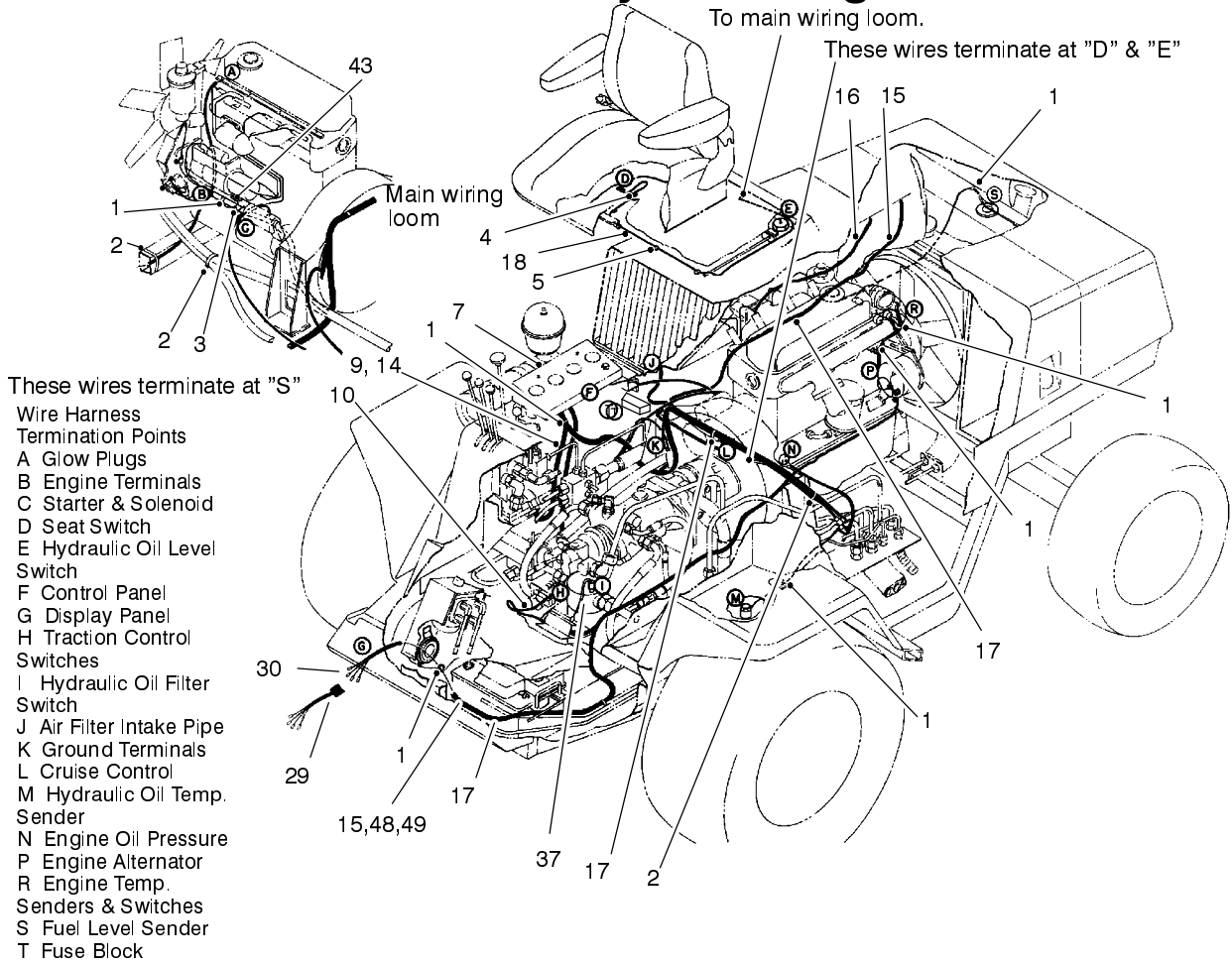


## Hydraulic Circuit-Cutting Units

Ref. No.	Part No.	Qty.	Description
2	340-8	10	Adapter
2:1	237-65	5	O-Ring
2:2	237-81	5	O-Ring
8	58-4960	1	Tube-Steel
9	58-4970	1	Tube-Steel
10	58-5730	1	Hose ASM
11	98-7404	2	Hose ASM
12	58-5060	1	Steel Tube
13	58-5000	1	Tube-Steel
14	58-5020	1	Tube-Steel
15	58-5040	1	Tube-Steel
16	98-7403	4	Hose ASM
17	340-72	4	Elbow-Bulkhead Union, 90°
17:1	237-65	2	O-Ring
18	98-7400	1	Hose ASM
19	3296-8	4	Nut-Lock NI
20	3256-16	4	Washer-Flat
21	74-2750-03	2	Retainer
22	74-2710	4	Clamp-Hose
23	321-14	4	Screw-HH
27	98-7401	1	Hose ASM
28	340-76	3	Fitting-Bulkhead Union, Straight
28:1	237-65	4	O-Ring
29	58-4990	1	Tube-Steel
30	58-5070	1	Tube-Steel
31	58-4950	1	Tube-Steel
33	58-5050	1	Tube-Steel
34	58-5030	1	Tube-Steel
35	58-4980	1	Tube-Steel
36	60-3340	1	Hose ASM
37	63-4710	1	Tube ASM
39	98-7402	1	Hose ASM
41	60-1250	2	Hose-Drain, Traction Pump
45	340-74	8	Locknut-Bulkhead
46	74-2730	4	Tube
48	3254-21	2	Washer-Lock/Int

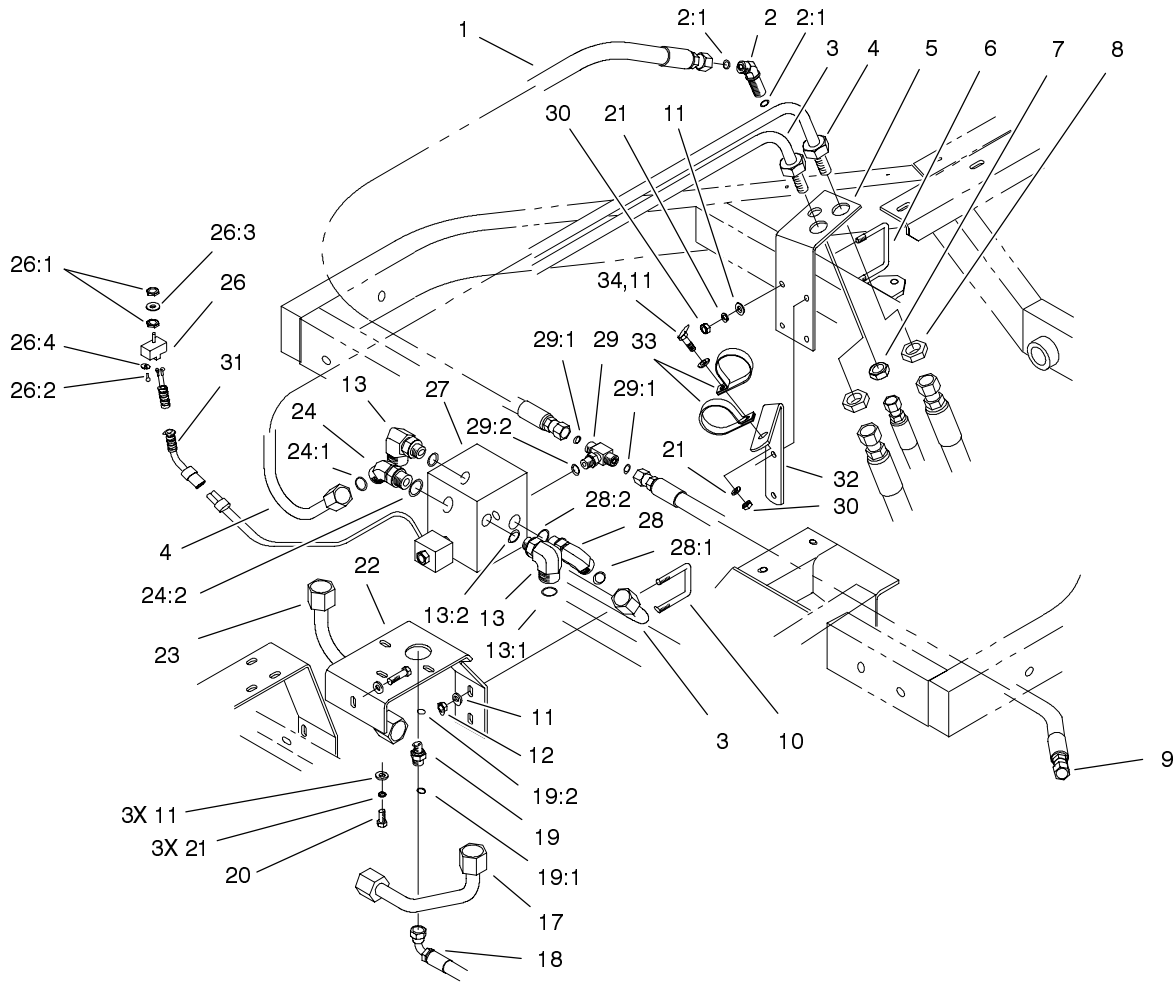
Ref. No.	Part No.	Qty.	Description

# Electrical System Diagram



# Electrical System Diagram

Ref. No.	Part No.	Qty.	Description	Ref. No.	Part No.	Qty.	Description
1	3290-378	29	Tie-Cable				
2	3290-379	5	Tie-Cable				
3	2412-109	1	Clip - J				
4	237-100	1	Grommet				
5	60-0930	3	Clip-Edge				
7	98-3816	1	Harness-Wire, Control				
9	82-9790	1	Harness				
10	82-9810	1	Harness				
15	58-3850	1	Cable				
16	43-4030	1	Cable-Battery To Solenoid				
17	98-3815	1	Harness - Wire, Main				
18	82-9750	1	Harness				
25	2412-74	1	Clamp				
26	37-2690	1	Capacitor				
27	38-2860	1	Resistor- 5 Ohm				
29	82-9230	2	Harness				
30	98-3819	1	Harness-Wire, Light Cluster				
37	86-5990	1	Harness - Filter				
41	66-8800	2	Relay				
43	93-3190	1	Boot-Terminal Insulator				
44	32105-13	4	Screw-Shh				
45	3296-2	4	Nut-Lock				
46	321-4	1	Screw-HH				
47	3296-42	1	Nut-Lock, NI				
48	33095-00	1	Washer-Flat				
49	3255-9	1	Washer-Lock/Ext				

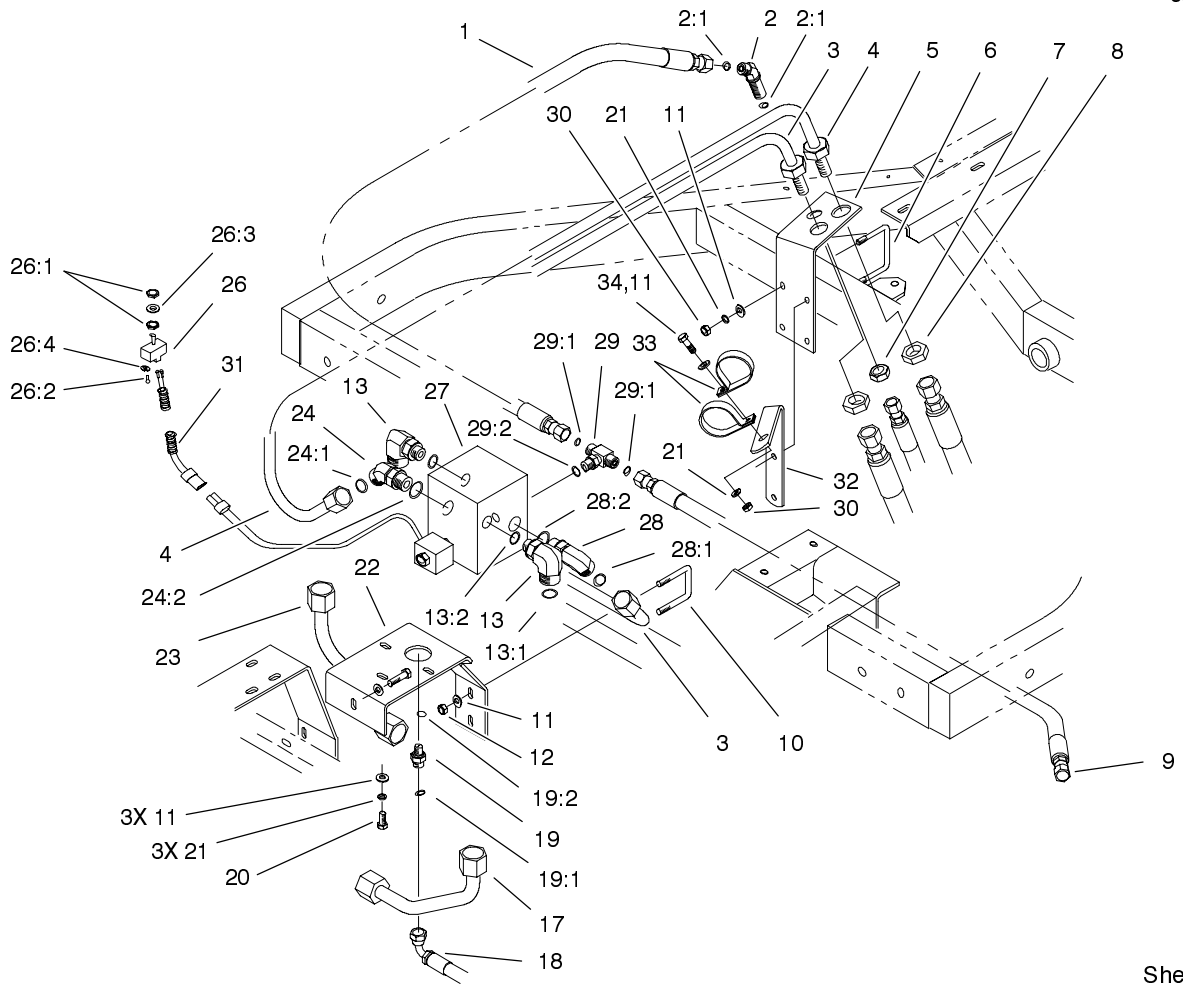


T-3685  
Sheet No.:28

## 4 Wheel Drive Hydraulic Plumbing Assembly

Ref. No.	Part No.	Qty.	Description
1	92-5691	1	Hose ASM (only on: 03707)
2	340-69	1	Elbow-Bulkhead, 45 DEG (only on: 03707)
2:1	237-22	2	O-Ring (only on: 03707)
3	92-5690	1	Reverse Tube ASM (only on: 03707)
4	92-5689	1	Forward Tube ASM (only on: 03707)
5	92-5693-01	1	Bracket - Bulkhead (only on: 03707)
6	92-5692	2	U-Bolt (only on: 03707)
7	340-70	1	Locknut-Bulkhead (only on: 03707)
8	340-74	2	Locknut-Bulkhead (only on: 03707)
9	92-4725	1	Hose ASM (only on: 03707)
10	66-5560	1	U Bolt (only on: 03707)
11	3256-23	10	Washer-Flat (only on: 03707)
12	3296-29	2	Nut-Lock (only on: 03707)

Ref. No.	Part No.	Qty.	Description
13	92-5696	2	Fitting-Hyd, 90° (only on: 03707)
13:1	237-58	1	O-Ring (only on: 03707)
13:2	237-79	1	O-Ring (only on: 03707)
17	92-4728	1	Tube - Front (only on: 03707)
18	92-5687	1	Hose ASM (only on: 03707)
19	340-88	1	Adapter (only on: 03707)
19:1	237-22	1	O-Ring (only on: 03707)
19:2	237-78	1	O-Ring (only on: 03707)
20	322-3	3	Screw-HH (only on: 03707)
21	3253-4	8	Washer-Lock (only on: 03707)
22	86-6460-01	1	Bracket - Block (only on: 03707)
23	92-4727	1	Tube - Rear (only on: 03707)
24	340-14	1	Fitting-Hyd., 45° (only on: 03707)

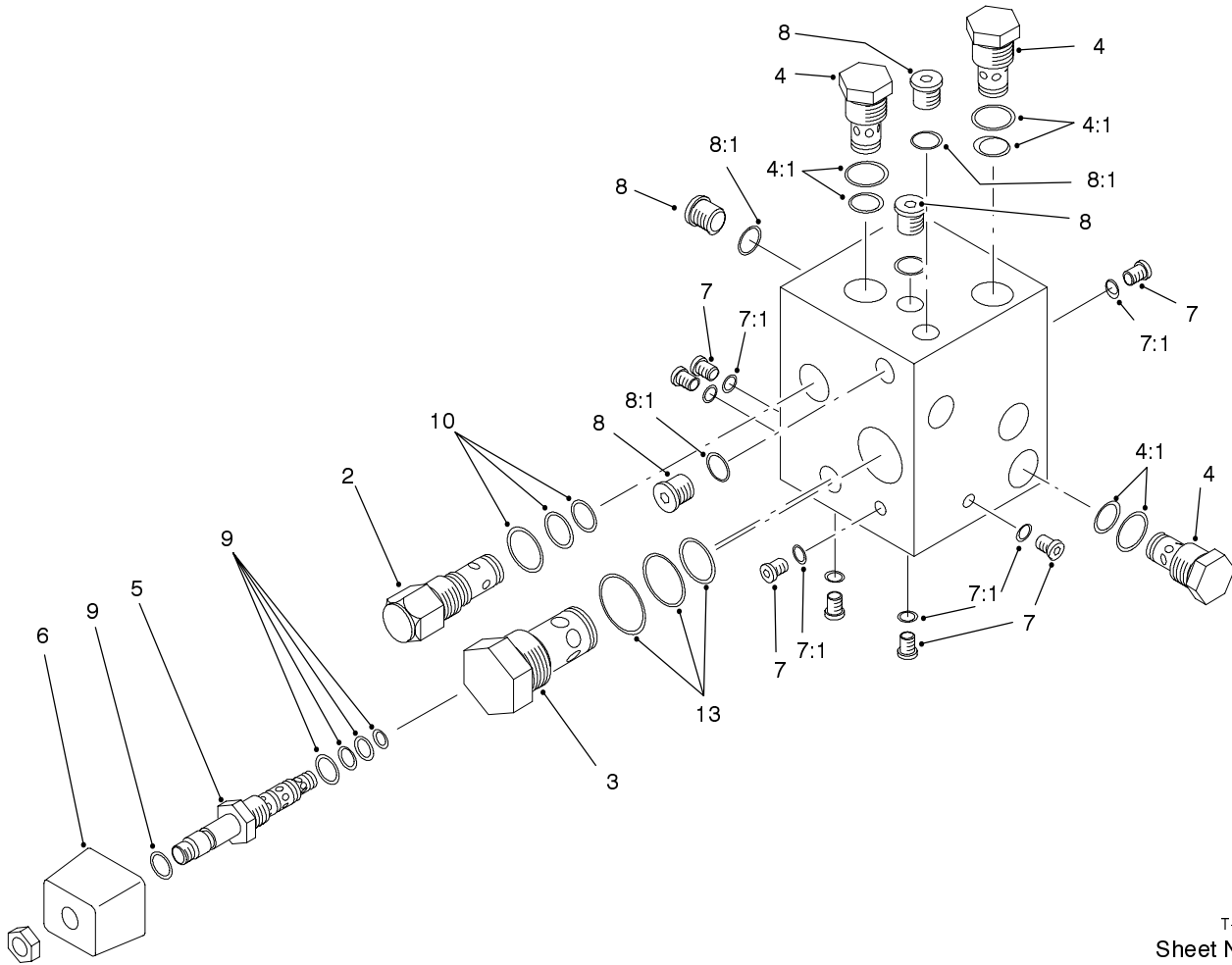


T-3685  
Sheet No.:28

### 4 Wheel Drive Hydraulic Plumbing Assembly (Continued)

Ref. No.	Part No.	Qty.	Description
24:1	237-65	1	O-Ring (only on: 03707)
24:2	237-80	1	O-Ring (only on: 03707)
26	69-9740	1	Switch (only on: 03707)
26:1	218-498	2	Locknut-Hex (only on: 03707)
26:2	218-588	3	Screw (only on: 03707)
26:3	218-589	1	Washer (only on: 03707)
26:4	3253-19	3	Washer-Lock/Sp (only on: 03707)
27	92-2982	1	Control Block ASM (only on: 03707)
28	340-17	1	Adapter (only on: 03707)
28:1	237-65	1	O-Ring (only on: 03707)
28:2	237-80	1	O-Ring (only on: 03707)
29	340-94	1	Adapter (only on: 03707)
29:1	237-22	2	O-Ring (only on: 03707)

Ref. No.	Part No.	Qty.	Description
29:2	237-42	1	O-Ring (only on: 03707)
30	3217-6	5	Nut-Hex (only on: 03707)
31	3290-378	1	Tie-Cable (only on: 03707)
32	99-8741-01	1	Bracket-Hose Support (only on: 03707)
33	2412-107	2	R Clamp (only on: 03707)
34	322-45	1	Screw-HH (only on: 03707)

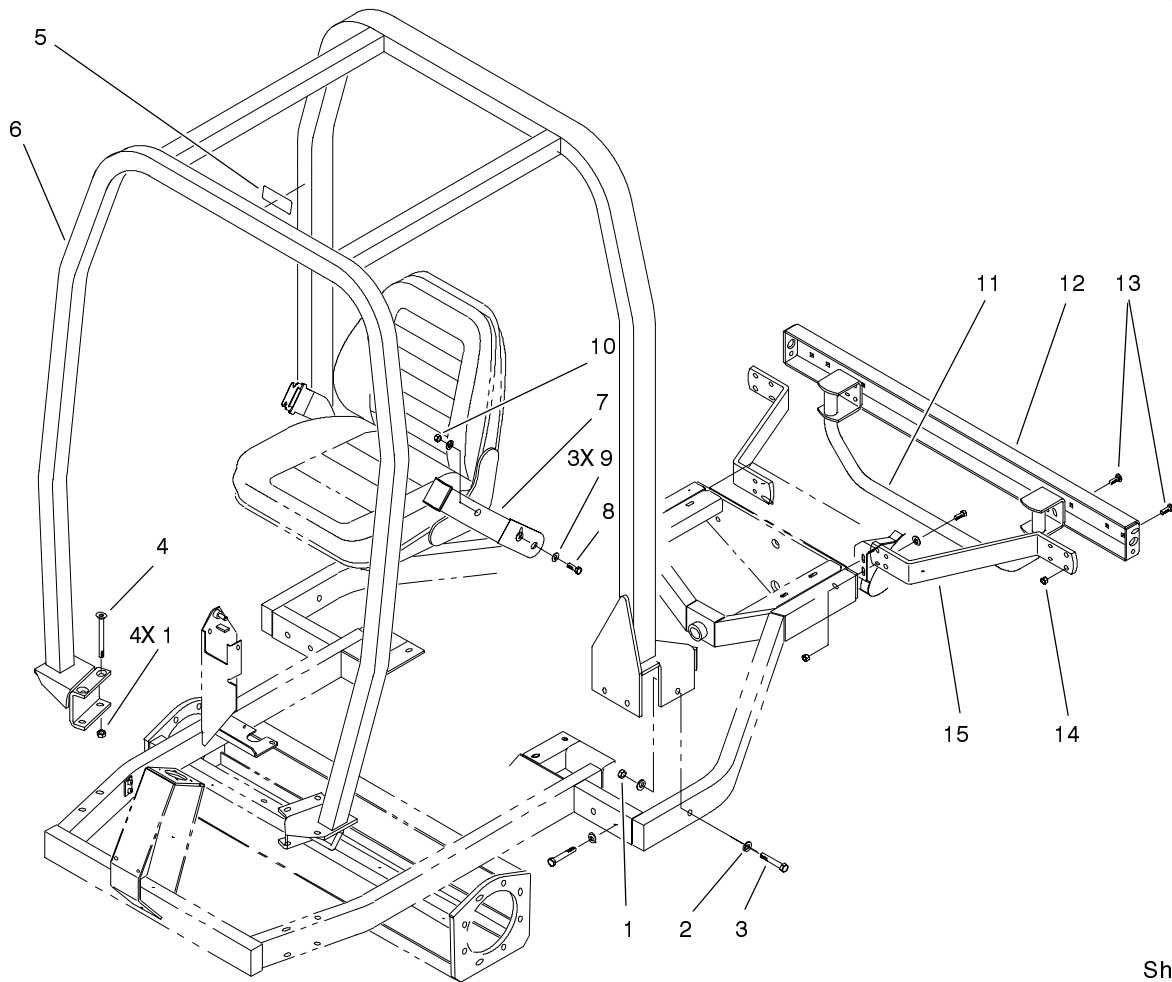


T-3686  
Sheet No.:C3

## Hydraulic Manifold Assembly No. 92-2982

Ref. No.	Part No.	Qty.	Description
2	93-1406	1	Cartridge - Logic, N/C (only on: 03707)
3	93-1409	1	Cartridge - Logic, N/C (only on: 03707)
4	95-6014	3	Valve-Check, 5 Psi (only on: 03707)
4:1	75-2080	1	Seal Kit (only on: 03707)
5	93-1407	1	Cartridge - Solenoid (only on: 03707)
6	92-3048	1	Coil ASM (only on: 03707)
7	353-991	8	Plug-Hex, Hollow (only on: 03707)
7:1	237-156	1	O-Ring (only on: 03707)
8	353-989	4	Plug-Hex, Hollow (only on: 03707)
8:1	237-42	1	O-Ring (only on: 03707)
9	93-1408	1	Seal Kit (only on: 03707)
10	69-4240	1	Seal Kit (only on: 03707)
13	69-4270	1	Seal Kit (only on: 03707)

Ref. No.	Part No.	Qty.	Description

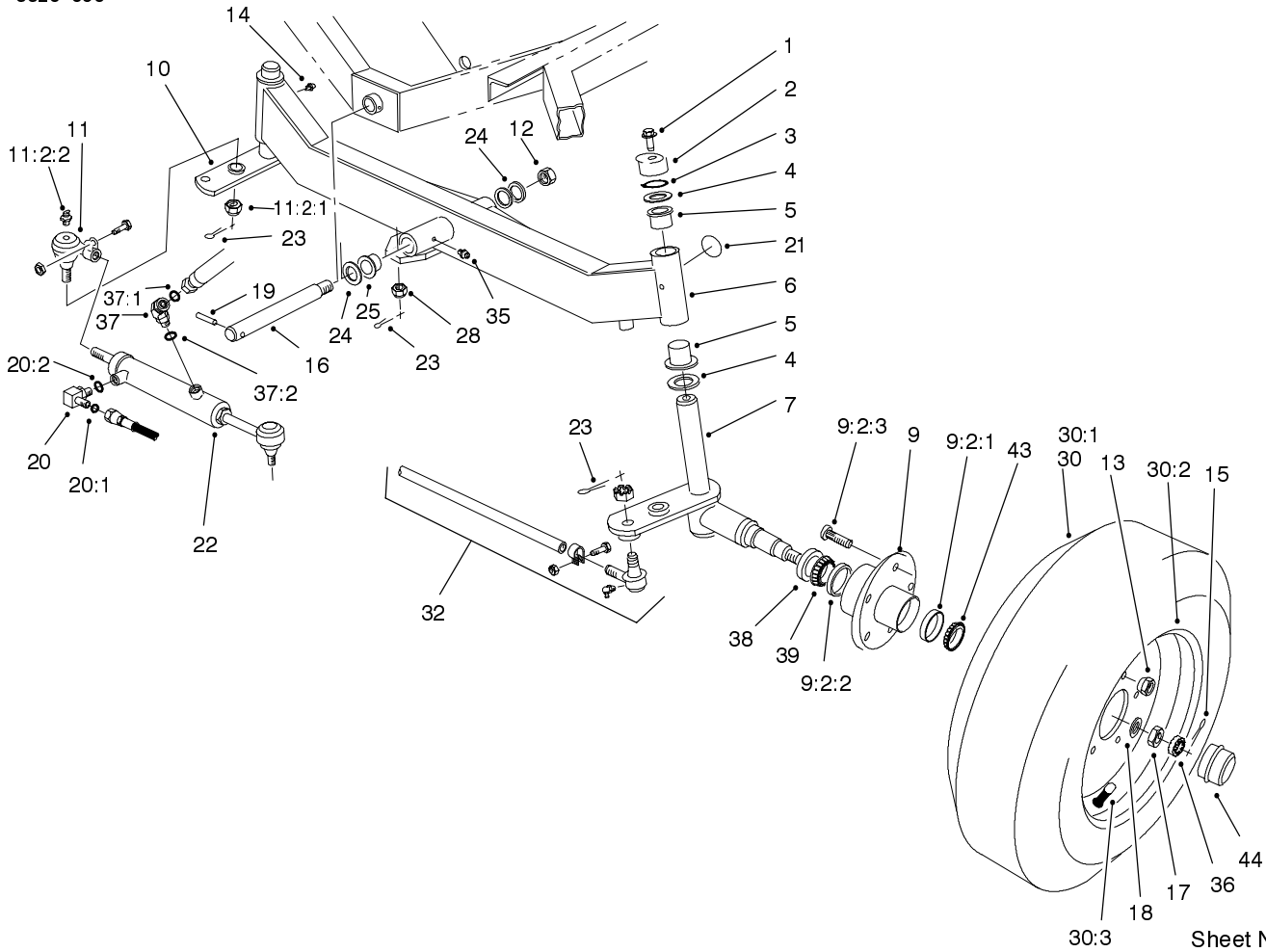


Sheet No.:29

## Roll Over Protection System Assembly

Ref. No.	Part No.	Qty.	Description
1	3296-23	10	Nut-Lock, NI (only on: 03707)
2	3256-26	12	Washer-Flat (only on: 03707)
3	325-12	6	Screw-HH (only on: 03707)
4	3289-25	4	Screw-SFH (only on: 03707)
6	92-2987-03	1	Rops (only on: 03707)
7	21-4191	1	Seat Belt ASM (only on: 03707)
8	324-5	2	Screw-HH (only on: 03707)
9	3256-25	6	Washer-Flat (only on: 03707)
10	3296-48	2	Nut-Lock NI (only on: 03707)
11	92-6050-03	1	Guard ASM (only on: 03707)
12	92-6052-03	1	Bumper-Rear (only on: 03707)
13	3231-25	12	Screw-CARR (only on: 03707)
14	3296-39	12	Nut-Lock, NI (only on: 03707)

Ref. No.	Part No.	Qty.	Description
15	92-6051-03	2	Bracket - Bumper (only on: 03707)



T-3687  
Sheet No.:33

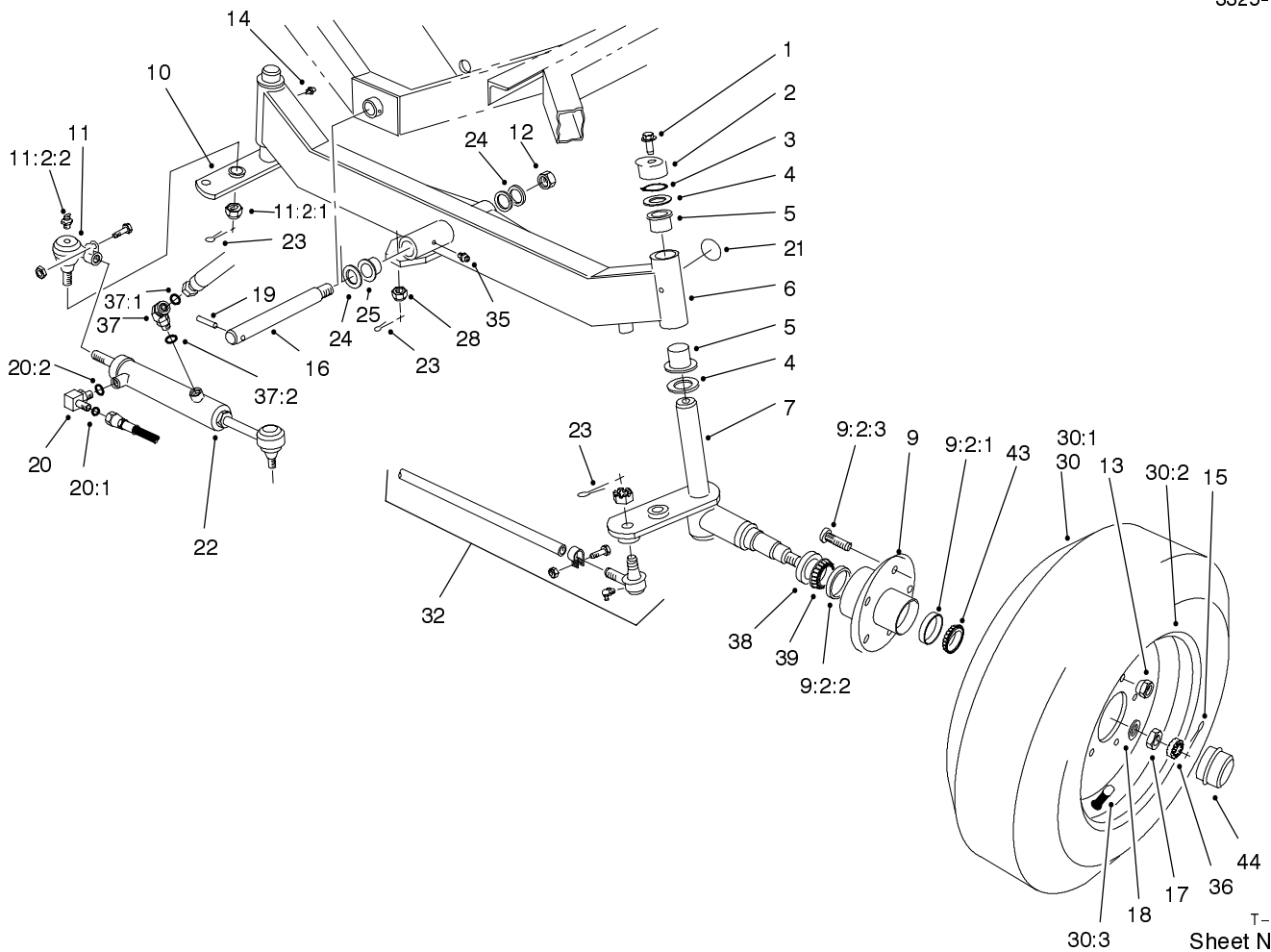
## Steering Axle Assembly (Model 03706 Only)

Ref. No.	Part No.	Qty.	Description
1	3234-12	2	Screw-HHF (only on: 03706)
2	69-8890	2	Cap-Spindle (only on: 03706)
3	32151-10	2	Ring-Snap (only on: 03706)
4	256-304	4	Washer-Thrust (only on: 03706)
5	69-6470	4	Bushing-Castor (only on: 03706)
6	82-9850-03	1	Axle-Rear (only on: 03706)
7	93-0311-03	1	Spindle-Wheel, LH (only on: 03706)
9	69-2960-03	2	Hub Sub ASM (only on: 03706)
☆9:2		1	Hub Sub ASM (only on: 03706)
9:2:1	254-107	1	Bearing-Taper/Cup (only on: 03706)
9:2:2	254-72	1	Bearing-Taper/Cup (only on: 03706)
9:2:3	69-2990	5	Stud-Wheel (only on: 03706)
10	93-0310-03	1	Spindle-Wheel, RH (only on: 03706)

Ref. No.	Part No.	Qty.	Description
11	69-9810-03	1	Ball Joint ASM (only on: 03706)
☆11:2		1	Ball Joint ASM (only on: 03706)
11:2:1	32136-13	1	Nut-Hex, Slotted (only on: 03706)
11:2:2	302-55	1	Zerk (only on: 03706)
12	3296-49	1	Nut-Lock NI (only on: 03706)
13	23-7270	10	Nut-Wheel (only on: 03706)
14	302-5	2	Fitting-Grease (only on: 03706)
15	3272-13	2	Pin-Cotter (only on: 03706)
16	82-9210	1	Shaft - Pivot (only on: 03706)
17	3220-7	2	Nut-Jam (only on: 03706)
18	93-0309	2	Washer - Tab (only on: 03706)
19	60-3670	1	Pin (only on: 03706)
20	340-97	1	Fitting-Hyd, 90 (only on: 03706)
20:1	237-22	1	O-Ring (only on: 03706)

☆ Not serviced

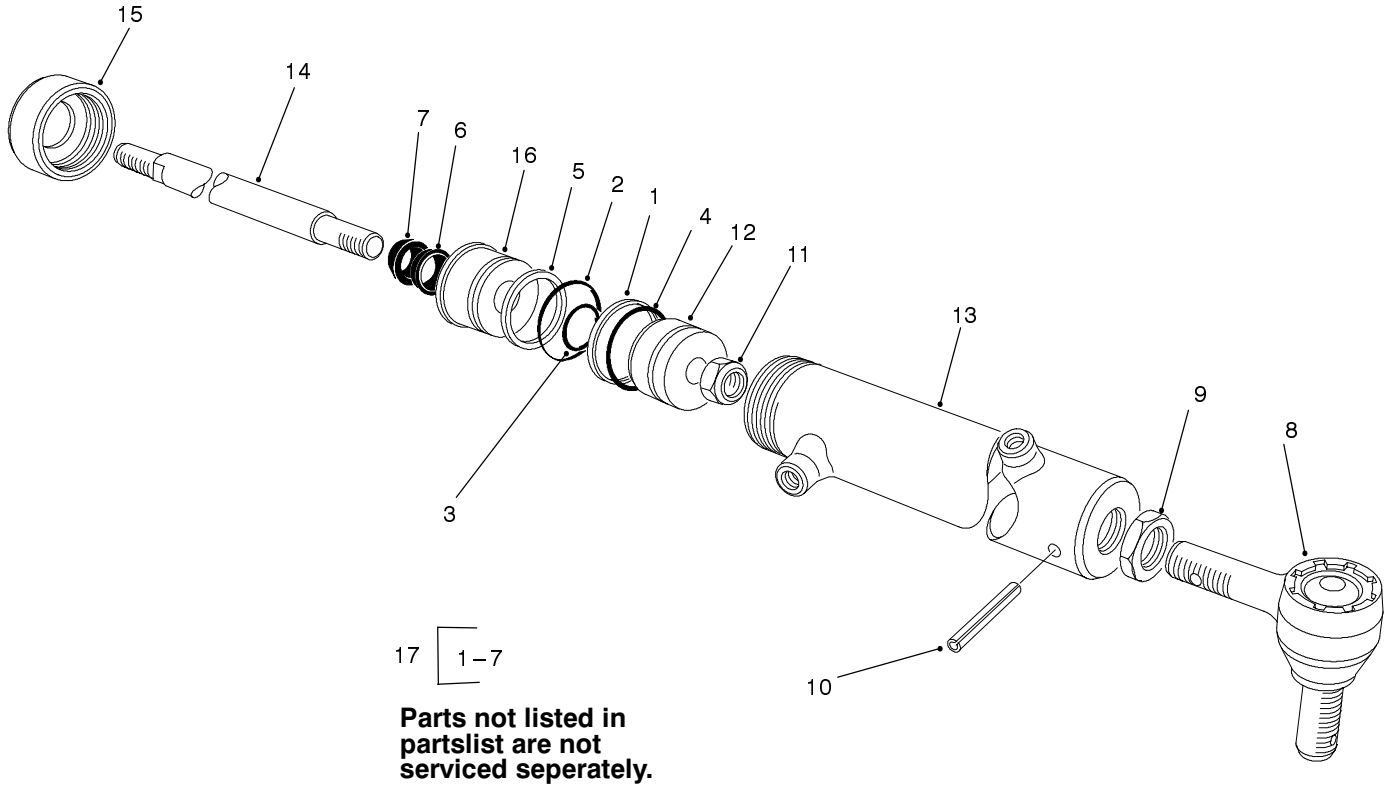




T-3687  
Sheet No.:33

## Steering Axle Assembly (Model 03706 Only)

Ref. No.	Part No.	Qty.	Description	Ref. No.	Part No.	Qty.	Description
20:2	237-78	1	O-Ring (only on: 03706)	36	93-0307	2	Nut Retainer-Lock (only on: 03706)
21	58-6520	2	Decal-Grease (only on: 03706)	37	340-54	1	Elbow-45 (only on: 03706)
22	77-4800	1	Cylinder - Hydraulic (only on: 03706)	37:1	237-22	1	O-Ring (only on: 03706)
23	3272-12	4	Pin-Cotter (only on: 03706)	37:2	237-78	1	O-Ring (only on: 03706)
24	48-6660	2	Washer (only on: 03706)	38	69-2980	2	Seal (only on: 03706)
25	48-6640	2	Bearing (only on: 03706)	39	254-106	2	Bearing-Taper/Cone (only on: 03706)
28	32136-13	2	Nut-Hex, Slotted (only on: 03706)	43	254-92	2	Cone-Outer Bearing (only on: 03706)
30	69-9870	2	Wheel ASM (only on: 03706)	44	69-2970	2	Cap-Hub (only on: 03706)
30:1	69-9880	1	Tire (only on: 03706)				
30:2	217-116	1	Rim-Wheel (only on: 03706)				
30:3	232-27	1	Stem-Valve (only on: 03706)				
32	82-9260-03	1	Tie Rod ASM (only on: 03706)				
35	302-11	1	Fitting-Lube, 45° (only on: 03706)				

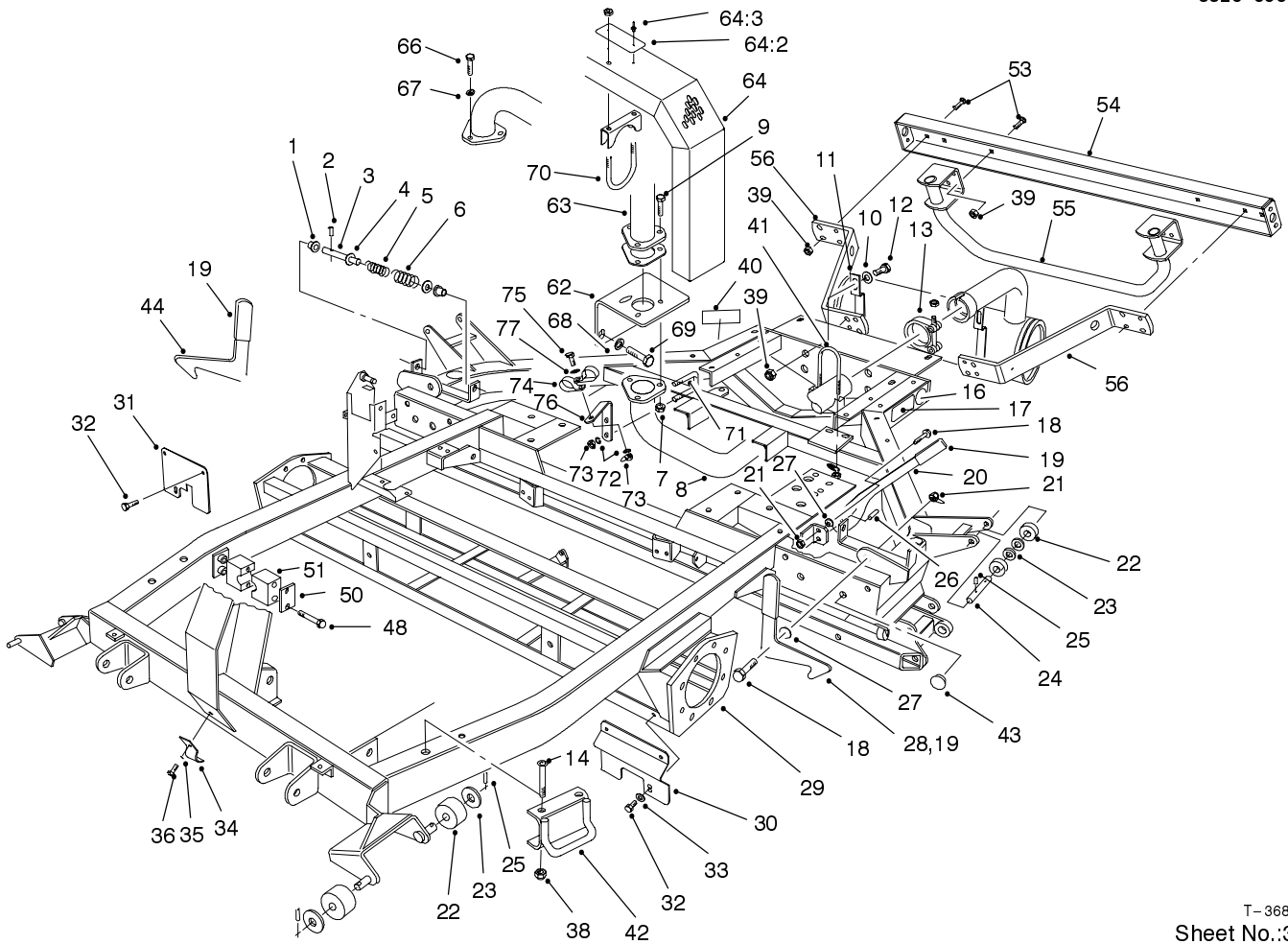


T-3688  
Sheet No.:C4

## Hydraulic Cylinder Assembly No. 77-4800

Ref. No.	Part No.	Qty.	Description
8	82-5730	1	Tie Rod End (only on: 03706)
9	82-5740	1	Nut-Jam (only on: 03706)
10	32121-44	1	Pin - Roll (only on: 03706)
11	82-5750	1	Nut - Lock, Elastic (only on: 03706)
12	82-5760	1	Piston (only on: 03706)
14	82-5770	1	Rod (only on: 03706)
15	82-5780	1	Cap-Thread (only on: 03706)
16	82-5790	1	Head-Thread Cap (only on: 03706)
17	82-5800	1	Seal Kit (only on: 03706)

Ref. No.	Part No.	Qty.	Description

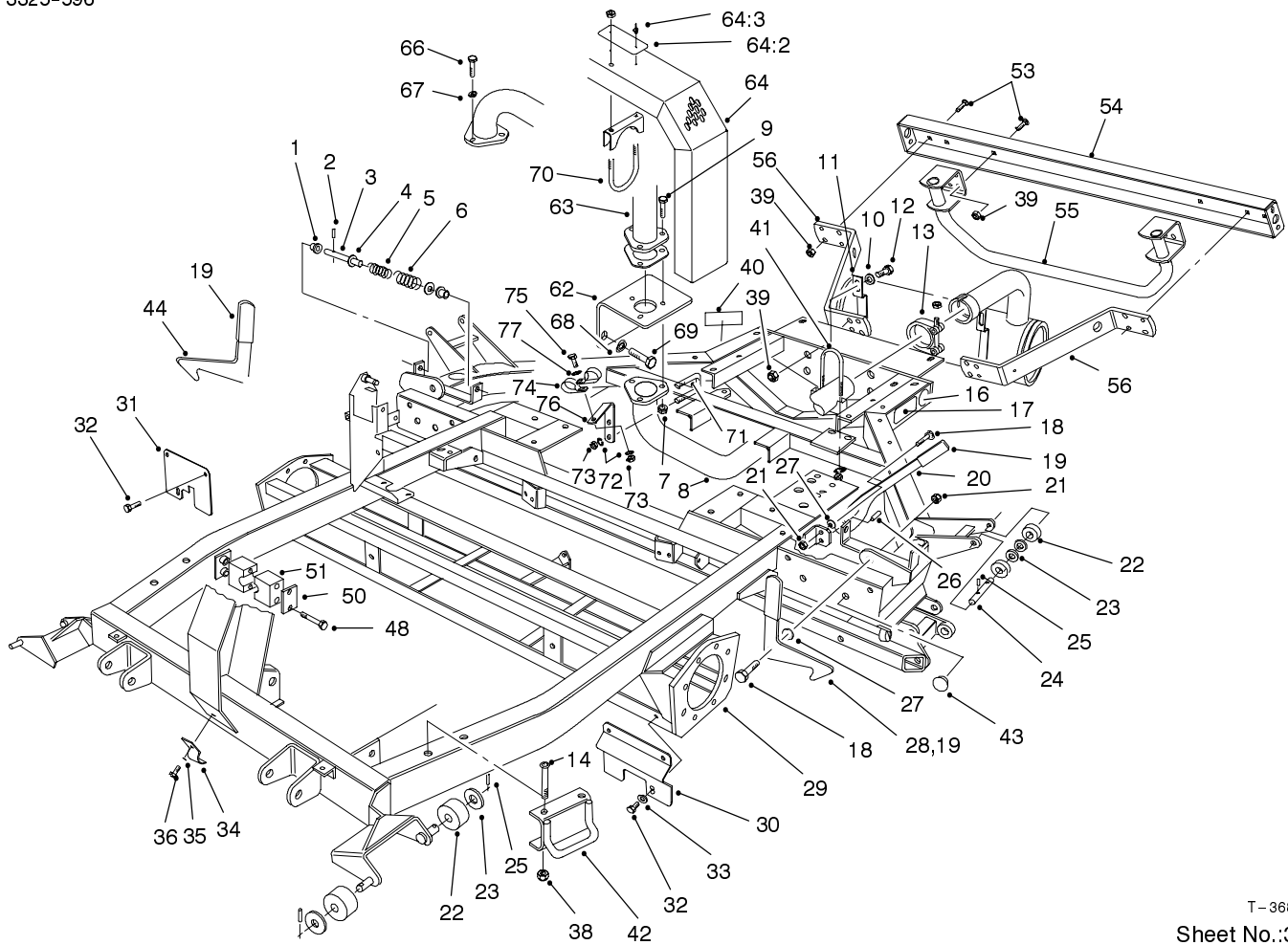


T-3689  
Sheet No.:34

## Chassis and Muffler Assembly (Model 03706 Only)

Ref. No.	Part No.	Qty.	Description
1	58-2800	4	Bushing (only on: 03706)
2	60-3720	2	Pin-Roll (only on: 03706)
3	58-2810	2	Rod (only on: 03706)
4	3256-7	4	Washer-Flat (only on: 03706)
5	48-6780	2	Spring-Compression (only on: 03706)
6	60-1240	2	Spring (only on: 03706)
7	3296-29	3	Nut-Lock (only on: 03706)
8	98-1230-03	1	Tube-Lower (only on: 03706)
9	322-7	3	Screw-HH (only on: 03706)
10	3256-24	4	Washer-Flat (only on: 03706)
11	74-2850	1	Silencer ASM (only on: 03706)
12	323-9	4	Screw-HH (only on: 03706)
13	2412-132	1	Clamp (only on: 03706)

Ref. No.	Part No.	Qty.	Description
14	3289-25	4	Screw-SFH (only on: 03706)
16	58-6520	3	Decal-Grease (only on: 03706)
17	93-9405	2	Decal-Air Pressure (only on: 03706)
18	33116-030	3	Screw-HH (only on: 03706)
19	48-7080	3	Grip-Plastic (only on: 03706)
20	86-6570-03	1	Latch (only on: 03706)
21	51-2070	3	Nut (only on: 03706)
22	82-4910	8	Roller (only on: 03706)
23	51-2060	8	Washer (only on: 03706)
24	60-0160	2	Pin (only on: 03706)
25	60-2110	8	Pin (only on: 03706)
26	48-8830	1	Pin-Expansion (only on: 03706)
27	48-8850	3	Spring-Disc (only on: 03706)
28	86-6590-03	1	Latch - LH (only on: 03706)
29	94-8268-01	1	Frame (only on: 03706)

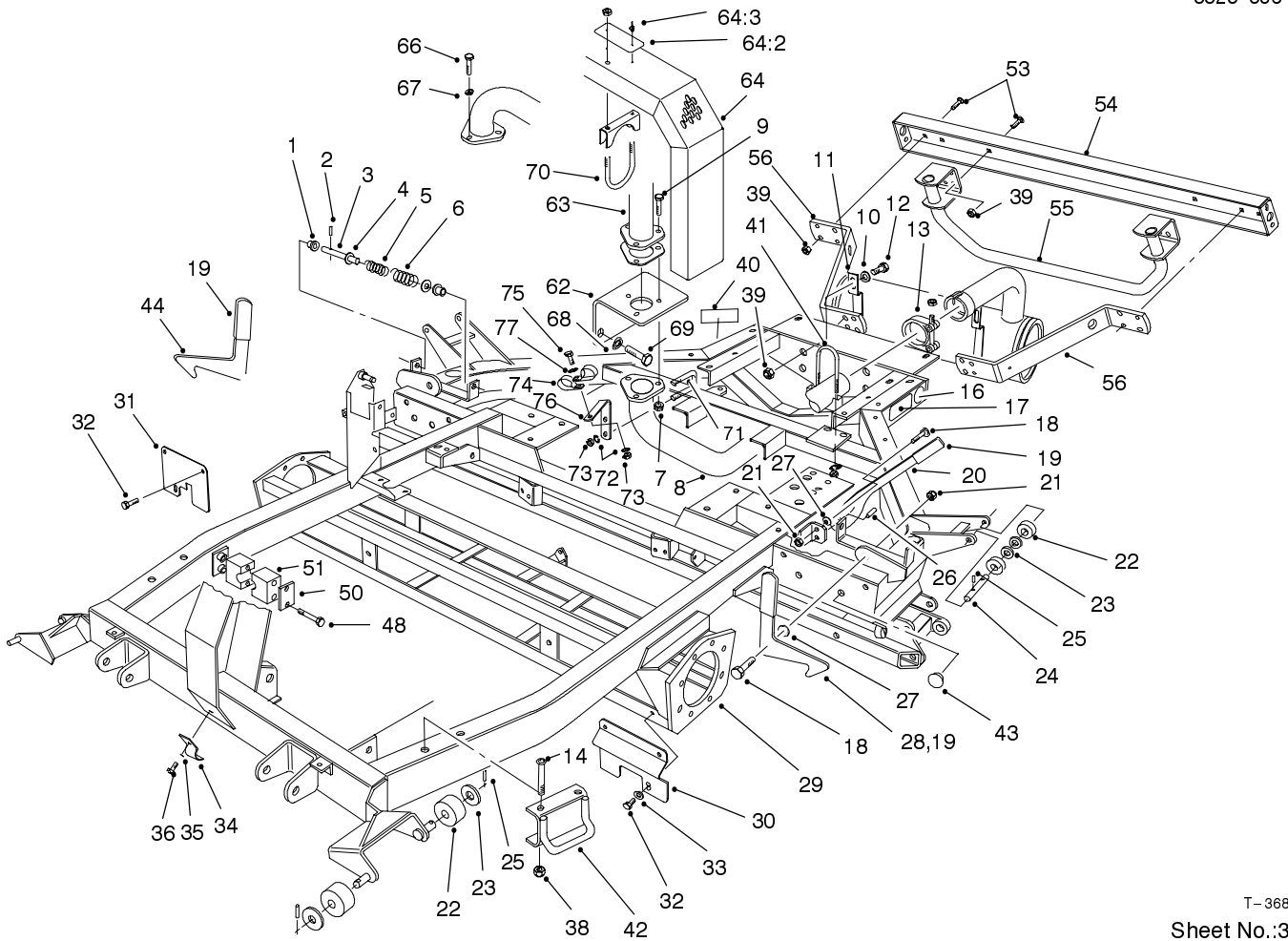


T-3687  
Sheet No.:34

## Chassis and Muffler Assembly (Model 03706 Only)

Ref. No.	Part No.	Qty.	Description
30	60-4190-03	1	Shield-Grass, LH (only on: 03706)
31	60-4200-03	1	Shield-Grass, RH (only on: 03706)
32	48-6900	6	Screw (only on: 03706)
33	33093-00	2	Washer-Flat (only on: 03706)
34	60-2080	1	Clamp-Hose (only on: 03706)
35	42-9850	1	Washer-Lock, Spring (only on: 03706)
36	48-7680	1	Screw (only on: 03706)
38	3296-23	4	Nut-Lock, NI (only on: 03706)
39	3296-39	16	Nut-Lock, NI (only on: 03706)
40	88-6700	1	Decal - Ansi (only on: 03706)
41	76-3560	1	Clamp (only on: 03706)
42	92-4768-03	2	Tiedown Wa *B (only on: 03706)
44	86-6580-03	1	Latch - RH (only on: 03706)

Ref. No.	Part No.	Qty.	Description
48	321-9	2	Screw-HH (only on: 03706)
50	82-2980	1	Plate-Cover (only on: 03706)
51	82-2990	2	Clamp - Half (only on: 03706)
53	3231-25	12	Screw-CARR (only on: 03706)
54	92-6052-03	1	Bumper-Rear (only on: 03706)
55	92-6050-03	1	Guard ASM (only on: 03706)
56	92-6051-03	2	Bracket - Bumper (only on: 03706)
62	98-1246-03	1	Bracket - Exhaust (only on: 03706)
63	98-1231-03	1	Tube-Upper (only on: 03706)
64	98-7890	1	Shield-Exhaust (only on: 03706)
64:2	95-0645	1	Plate - Hot Surface (only on: 03706)
64:3	3290-271	2	Rivet-Pop (only on: 03706)
66	33114-025	3	Screw-HH (only on: 03706)



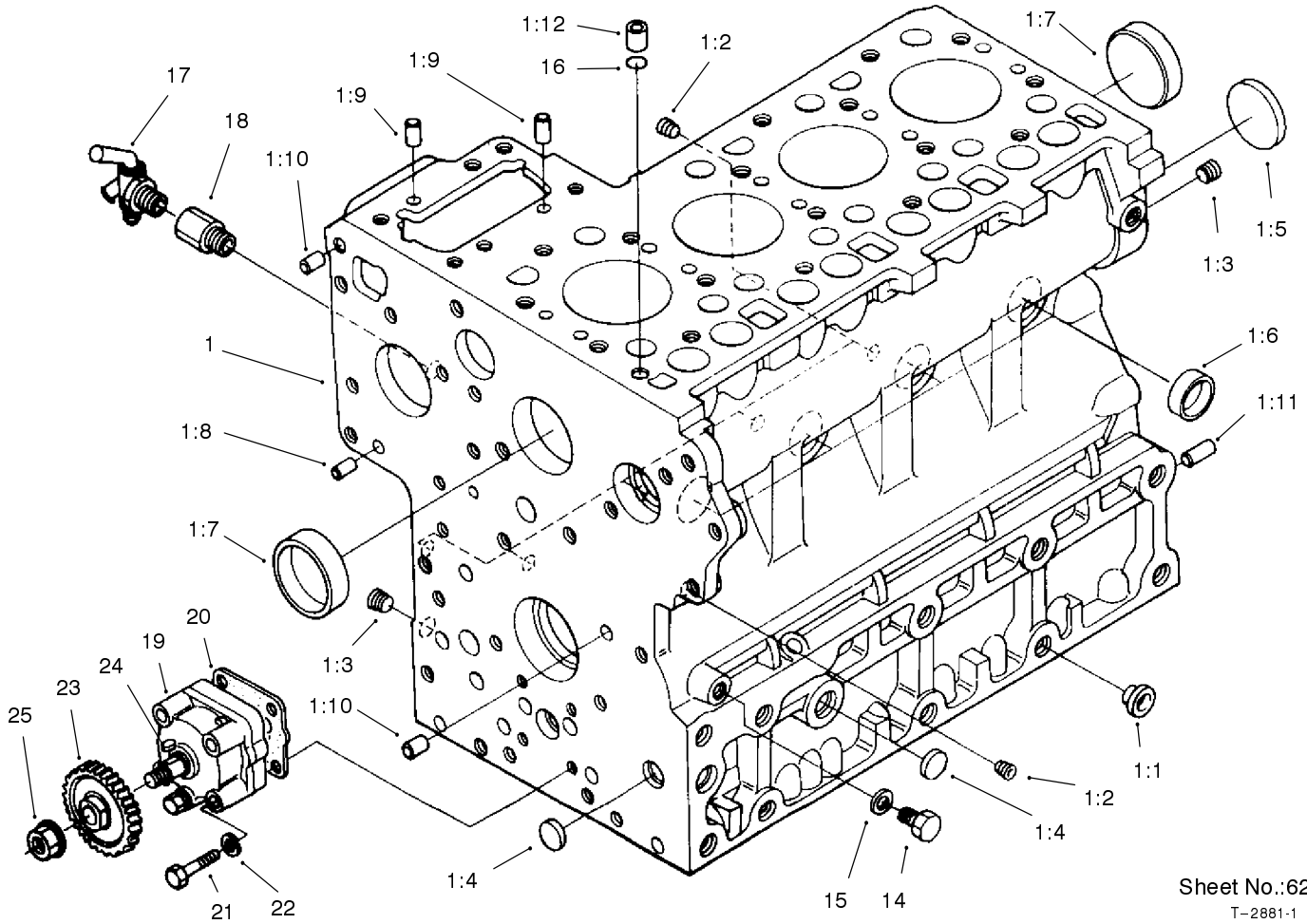
T-3687

Sheet No.:34

## Chassis and Muffler Assembly (Model 03706 Only)

Ref. No.	Part No.	Qty.	Description
67	42-9850	3	Washer-Lock, Spring (only on: 03706)
68	43-5940	2	Lockwasher-Spring (only on: 03706)
69	42-9250	2	Bolt (only on: 03706)
70	2112-6	2	Clamp-Muffler (only on: 03706)
71	92-5692	1	U-Bolt (only on: 03706)
72	3253-4	3	Washer-Lock (only on: 03706)
73	3217-6	3	Nut-Hex (only on: 03706)
74	2412-107	2	R Clamp (only on: 03706)
75	322-45	1	Screw-HH (only on: 03706)
76	99-8741-01	1	Bracket-Hose Support (only on: 03706)
77	3256-23	1	Washer-flat (only on: 03706)

Ref. No.	Part No.	Qty.	Description

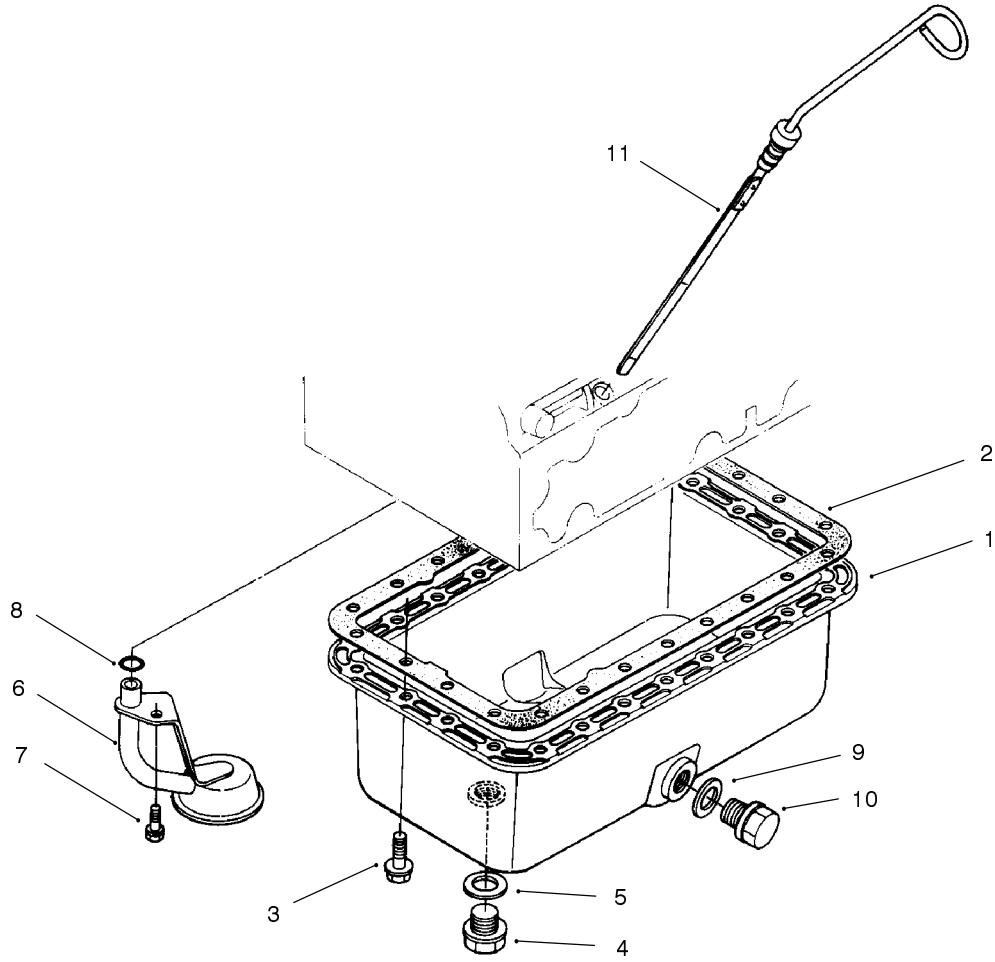


Sheet No.:62  
T-2881-1

## Crankcase Assembly

Ref. No.	Part No.	Qty.	Description
1	98-7485	1	Crankshaft - Complete
1:1	98-7486	2	Plug
1:2	98-7487	6	Plug
1:3	98-7488	2	Plug
1:4	98-7489	3	Plug
1:5	98-7490	1	Plug
1:6	98-7500	6	Cap - Sealing
1:7	98-7501	2	Cap - Sealing
1:8	98-7502	2	Pin - Straight
1:9	98-7503	2	Pin - Straight
1:10	98-7504	2	Pin - Straight
1:11	98-7505	1	Pin - Straight
1:12	98-7506	1	Pin-Pipe
14	98-7507	1	Plug
15	98-7528	1	Gasket
16	98-7509	1	O-Ring
17	98-7510	1	Cock - Drain
18	98-7511	1	Joint - Drain Cock
19	98-7512	1	ASM - Oil Pump
20	98-7513	1	Gasket - Oil Pump
21	98-7514	4	Bolt
22	98-7515	4	Washer - Spring
23	98-7516	1	Gear - Oil Pump Drive
24	98-7517	1	Key - Feather

Ref. No.	Part No.	Qty.	Description
25	98-7518	1	Nut - Flange
26	98-7519	1	Plug

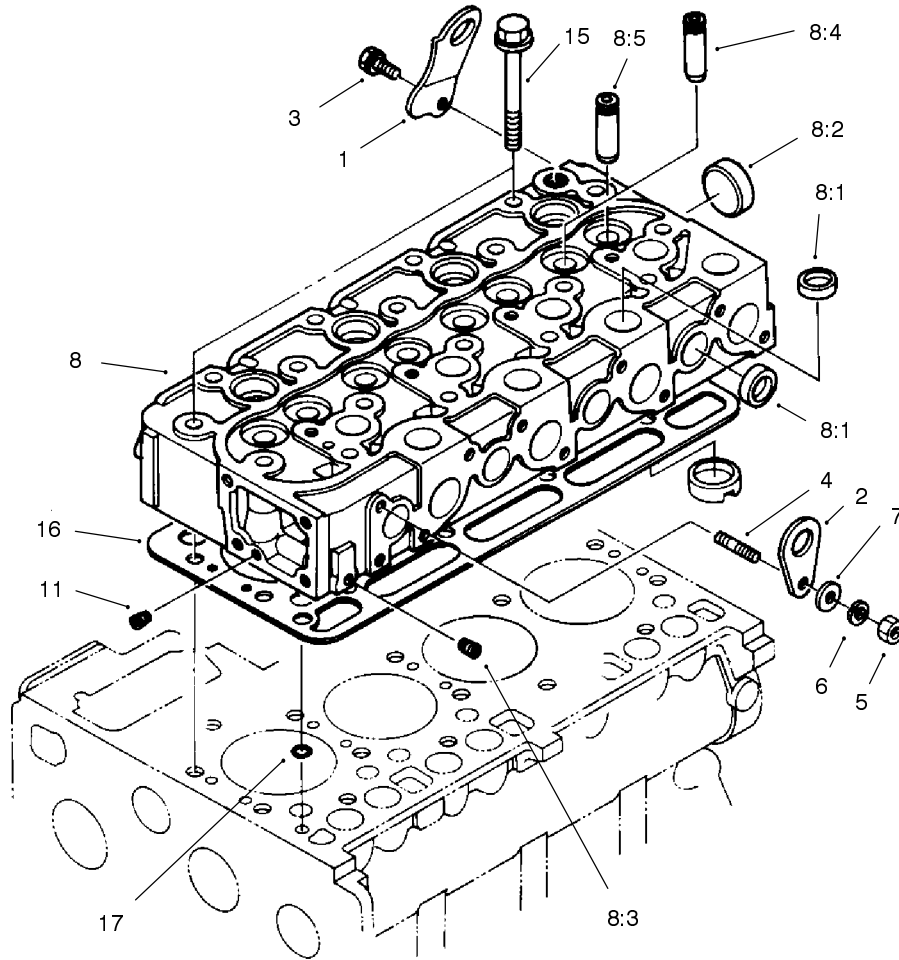


Sheet No.:63  
T-2869-1

## Oil Pan Assembly

Ref. No.	Part No.	Qty.	Description
1	98-7520	1	Oil Pan
2	98-7521	1	Gasket
3	98-7522	24	Bolt Flange
4	98-7523	1	Plug-Drain
5	98-7524	1	Gasket
6	98-7525	1	Filter, Oil
7	98-7526	1	Bolt
8	98-7527	1	O-Ring
9	98-7528	1	Gasket
10	98-7529	1	Plug, Drain
11	98-7432	1	Gauge - Oil

Ref. No.	Part No.	Qty.	Description

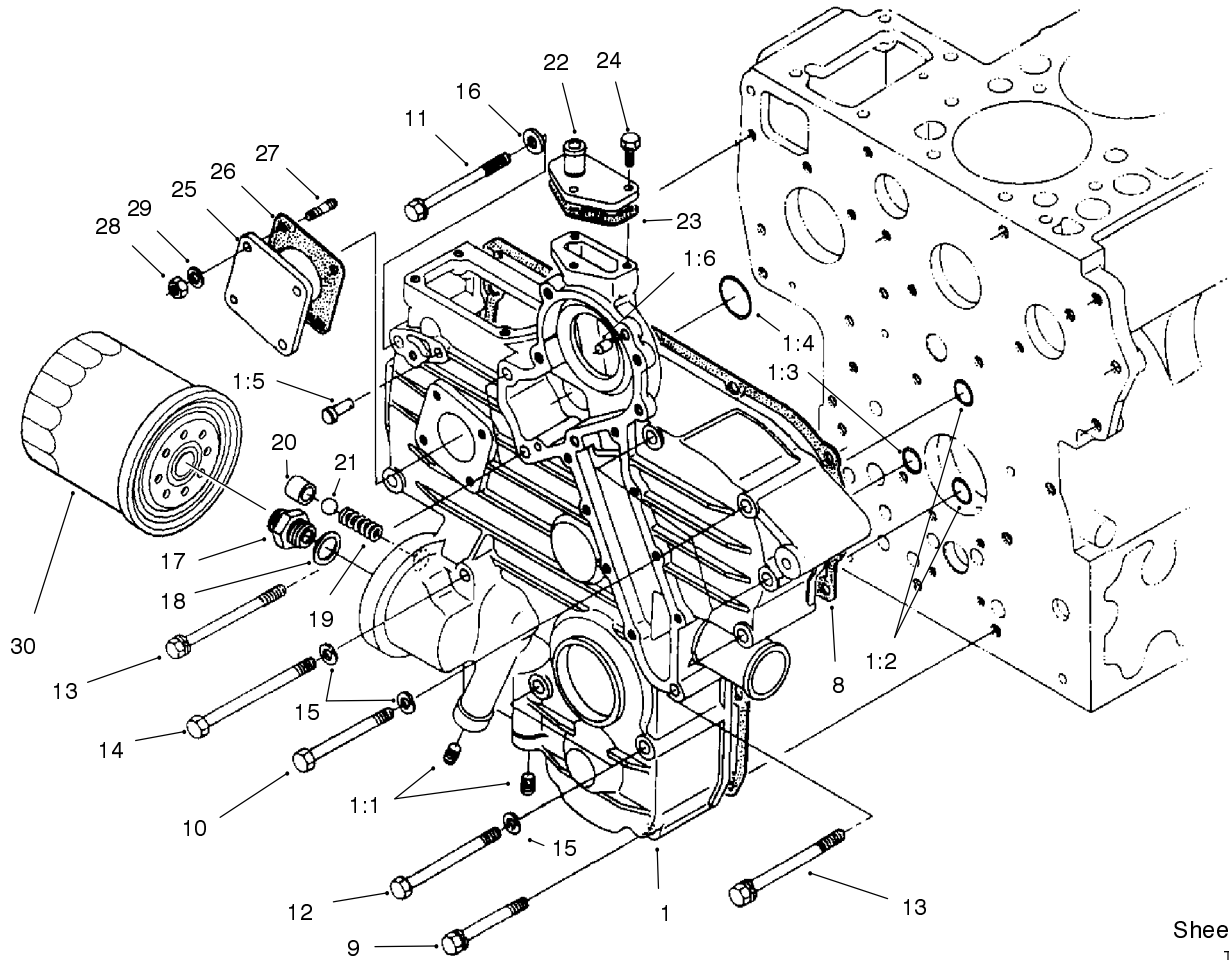


Sheet No.:64  
T-2879-2

# Cylinder Head Assembly

Ref. No.	Part No.	Qty.	Description	Ref. No.	Part No.	Qty.	Description
1	98-7530	1	Hook, Engine				
2	98-7531	1	Hook-Engine				
3	98-7526	1	Bolt				
4	98-7533	1	Stud				
5	98-7534	1	Nut				
6	98-7535	1	Washer-Spring				
7	98-7536	1	Washer,Plain				
8	98-7537	1	Complete Cylinder Head				
8:1	98-7538	12	Cap, Sealing				
8:2	98-7539	1	Cap-Sealing				
8:3	98-7540	2	Cap-Sealing				
8:4	98-7541	4	Plug				
8:5	98-7542	4	Guide, Exhaust Valve				
15	98-7543	18	Bolt, Cylinder Head				
16	98-7544	1	Gasket, Cylinder Head				
17	98-7509	1	O-Ring				



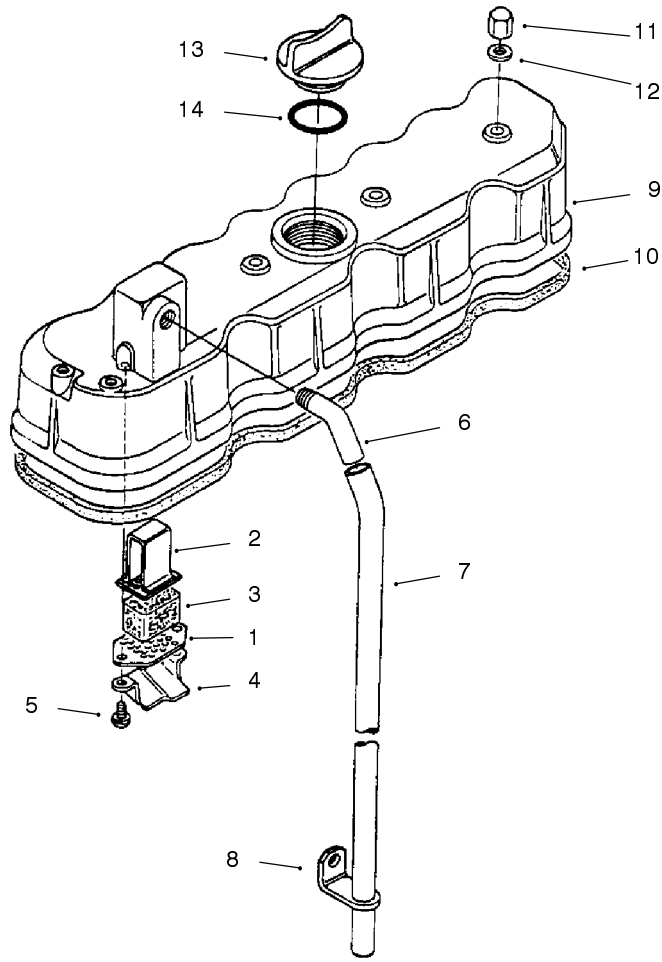


Sheet No.:65  
T-2882-1

## Gear Case Assembly

Ref. No.	Part No.	Qty.	Description
1	98-7545	1	Assembly Case Gear
1:1	98-7546	2	Plug
1:2	98-7547	2	O-Ring
1:3	98-7548	1	O Ring
1:4	98-7549	1	O Ring
1:5	98-7550	1	Pin,Start Spring
1:6	98-7504	2	Pin - Straight
8	98-7552	1	Packing, Gear Case
9	98-7553	2	Bolt
10	98-7554	5	Bolt
11	98-7555	1	Bolt
12	98-7556	2	Bolt
13	98-7557	3	Bolt
14	98-7558	2	Bolt
15	98-7535	9	Washer-Spring
16	98-7536	1	Washer,Plain
17	98-7561	1	Joint, Pipe
18	98-7562	1	Washer-Plain
19	98-7563	1	Spring
20	98-7564	1	Seat, Valve
21	98-7565	1	Ball
22	98-7566	1	Flange,Water Return
23	98-7567	1	Gasket
24	98-7568	1	Bolt
25	98-7569	1	Cover
26	98-7570	1	Gasket, H/Meter Unit

Ref. No.	Part No.	Qty.	Description
27	98-7571	4	Stud
28	98-7572	4	Nut
29	98-7515	4	Washer - Spring
30	98-7431	1	Cartridge - Oil Filter

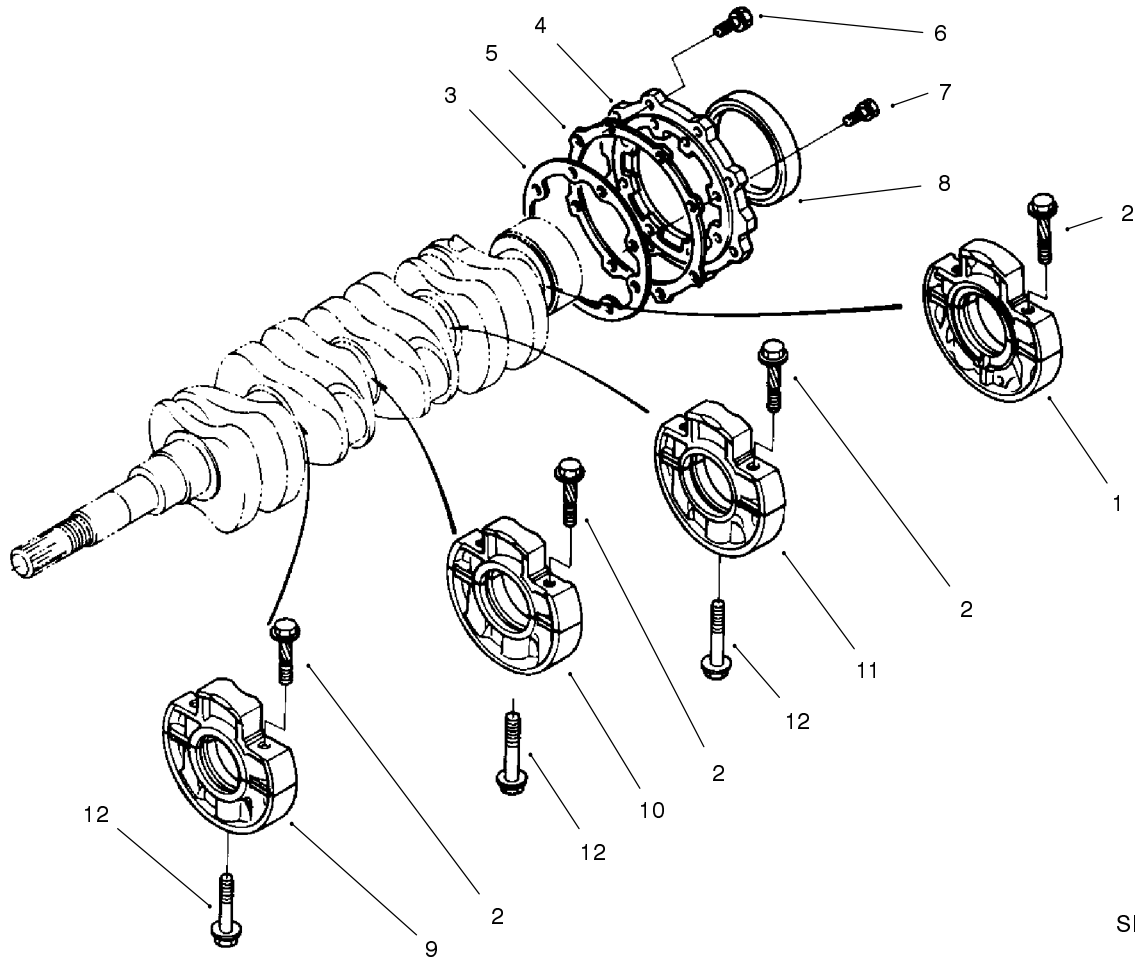


Sheet No.:66  
T-2876-1

## Valve Cover Assembly

Ref. No.	Part No.	Qty.	Description
1	98-7417	1	Plate - Element
2	98-7418	1	Plate - Element
3	98-7419	1	Element - Breather
4	98-7420	1	Shield - Oil Breather
5	98-7421	2	Screw w/Washer
6	98-7422	1	Joint - Breather Pipe
7	98-7423	1	Pipe - Breather
8	98-7424	1	Clamp - Pipe
9	98-7425	1	Cover - Cylinder Head
10	98-7426	1	Gasket - Head Cover
11	98-7427	4	Nut - Cap
12	98-7428	4	Gasket
13	98-7429	1	Plug - Oil Filter
14	98-7430	1	O-Ring

Ref. No.	Part No.	Qty.	Description

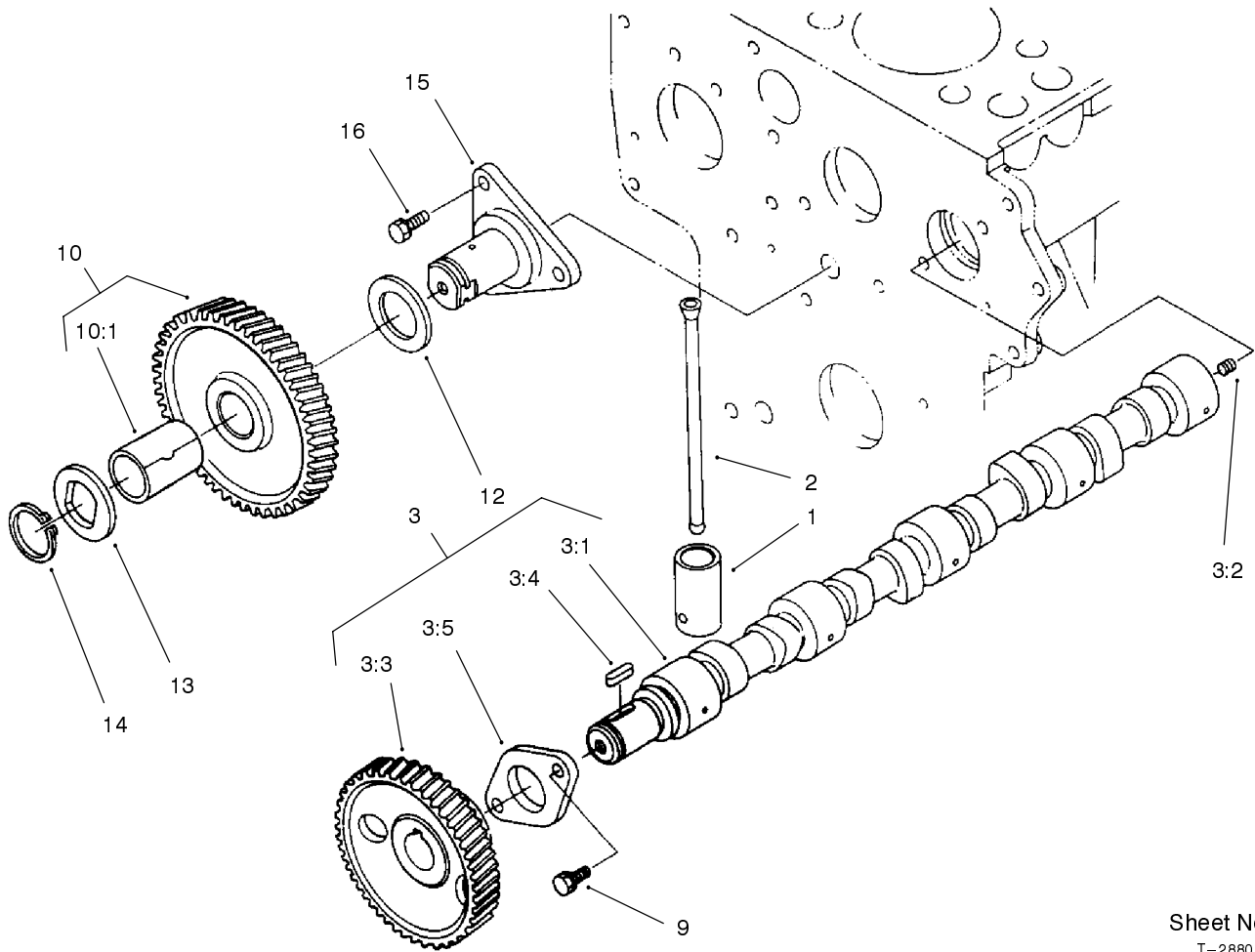


Sheet No.:67  
T-2870-1

### Main Bearing Case Assembly

Ref. No.	Part No.	Qty.	Description
1	98-7433	1	ASM - Main Bearing Case
2	98-7434	8	Bolt - Bearing Case
3	98-7435	1	Gasket - Bearing Case
4	98-7436	1	Cover - Bearing Case
5	98-7437	1	Gasket-Bearing Case Cover
6	98-7438	8	Bolt
7	98-7439	8	Bolt
8	98-7440	1	Seal - Oil
9	98-7441	1	ASM-Main Bearing Case
10	98-7442	1	ASM-Main Bearing Case
11	98-7443	1	ASM-Main Bearing Case
12	98-7444	3	Bolt - Bearing Case

Ref. No.	Part No.	Qty.	Description

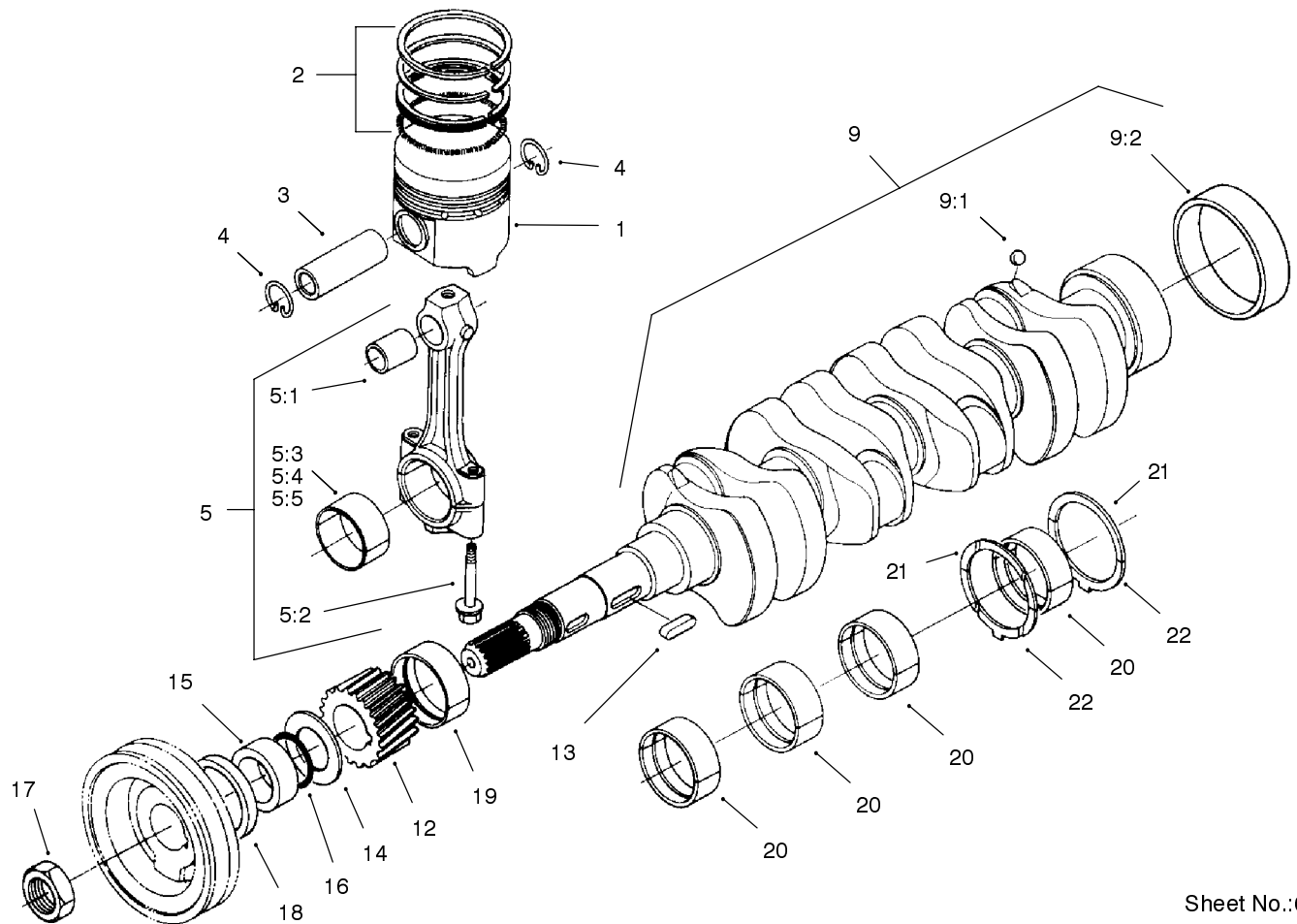


Sheet No.:68  
T-2880-1

### Camshaft Assembly

Ref. No.	Part No.	Qty.	Description
1	98-7445	8	Tappet
2	98-7446	8	Push Rod
3	98-7447	1	ASM - Camshaft
3:1	98-7448	1	Camshaft
3:2	98-7449	1	Screw-Set
3:3	98-7450	1	Gear - Camshaft
3:4	98-7451	1	Key - Feather
3:5	98-7452	1	Stopper - Camshaft
9	98-7453	2	Bolt
10	98-7454	1	Gear - Idler, Complete
10:1	98-7455	1	Bushing - Idler Gear
12	98-7456	1	Collar
13	98-7457	1	Collar
14	98-7458	1	Cir-Clip - External
15	98-7459	1	Shaft - Idler Gear
16	98-7453	3	Bolt

Ref. No.	Part No.	Qty.	Description



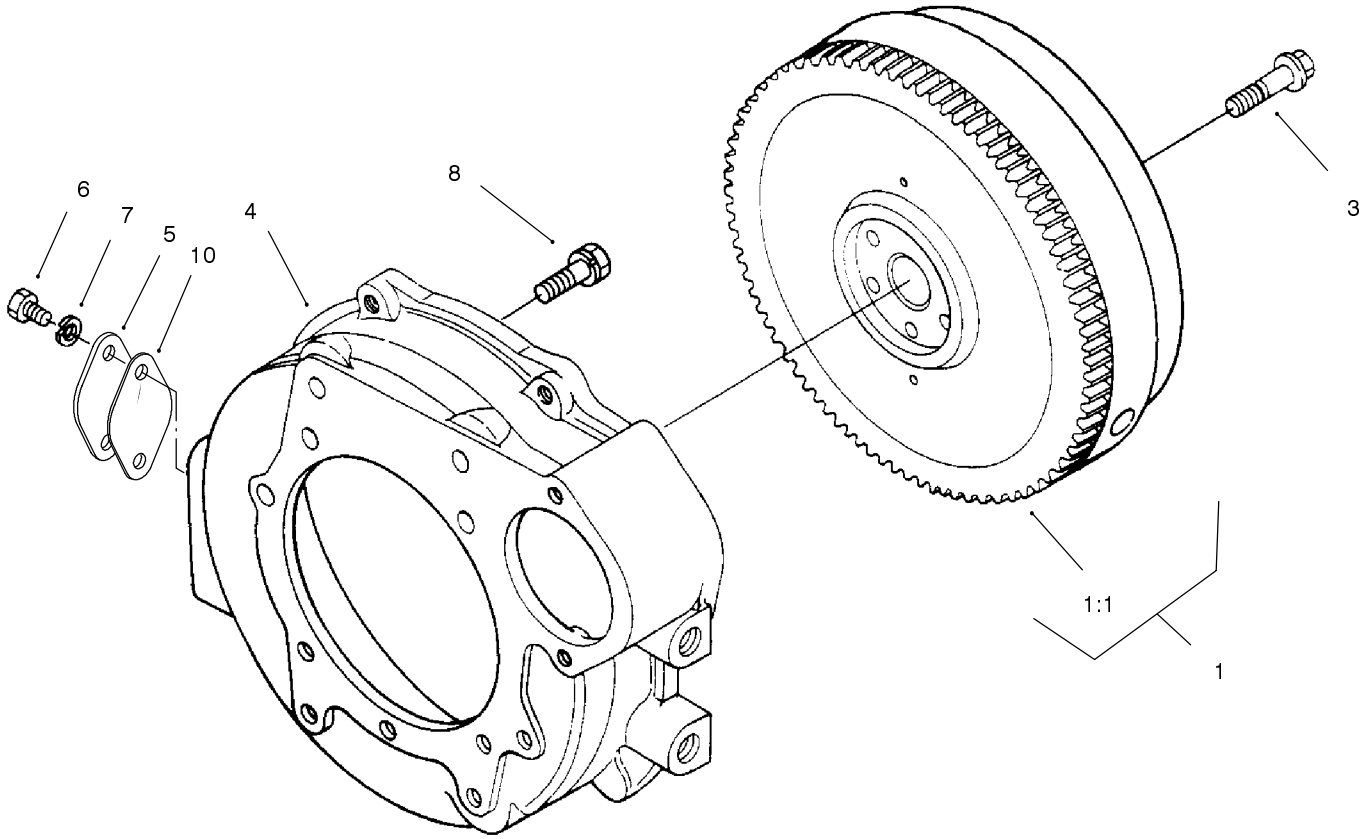
Sheet No.:69

T-2868-1

## Piston and Crankshaft Assembly

Ref. No.	Part No.	Qty.	Description
1	98-7460	4	Piston
1	98-7461	4	Piston
2	98-7462	4	ASM - Piston Ring
2	98-7463	4	ASM - Piston Ring
3	98-7464	4	Pin - Piston
4	98-7465	8	Clip - Piston Pin
5	98-7466	4	ASM - Connecting Rod
5:1	98-7467	4	Bushing - Piston Pin
5:2	98-7468	8	Bolt - Connecting Rod
5:3	98-7469	4	Metal - Crankpin
5:4	98-7470	4	Metal - Crankpin
5:5	98-7471	4	Metal - Crankpin
9	98-7472	1	Crankshaft - Complete
9:1	98-7473	4	Ball
9:2	98-7474	1	Sleeve - Crankshaft
12	98-7475	1	Gear - Crankshaft
13	98-7451	1	Key - Feather
14	98-7476	1	Slinger - Oil
15	98-7477	1	Collar - Crankshaft
16	98-7478	1	O Ring
17	98-7479	1	Nut - Crankshaft
18	98-7480	1	Seal - Oil
19	98-7481	1	Metal - Crankshaft
19	98-7482	1	Metal - Crankshaft

Ref. No.	Part No.	Qty.	Description
19	98-7483	1	Metal - Crankshaft
20	98-7484	1	Metal - Crankshaft
20	99-6862	1	Metal - Crankshaft Set
20	99-6863	1	Metal - Crankshaft Set
21	99-6864	2	Metal - Side, STD
21	99-6865	2	Metal - Side, O/S
21	99-6866	2	Metal - Side, O/S
22	99-6867	2	Metal - Side, STD
22	99-6868	2	Metal - Side, O/S
22	99-6869	2	Metal - Side, O/S

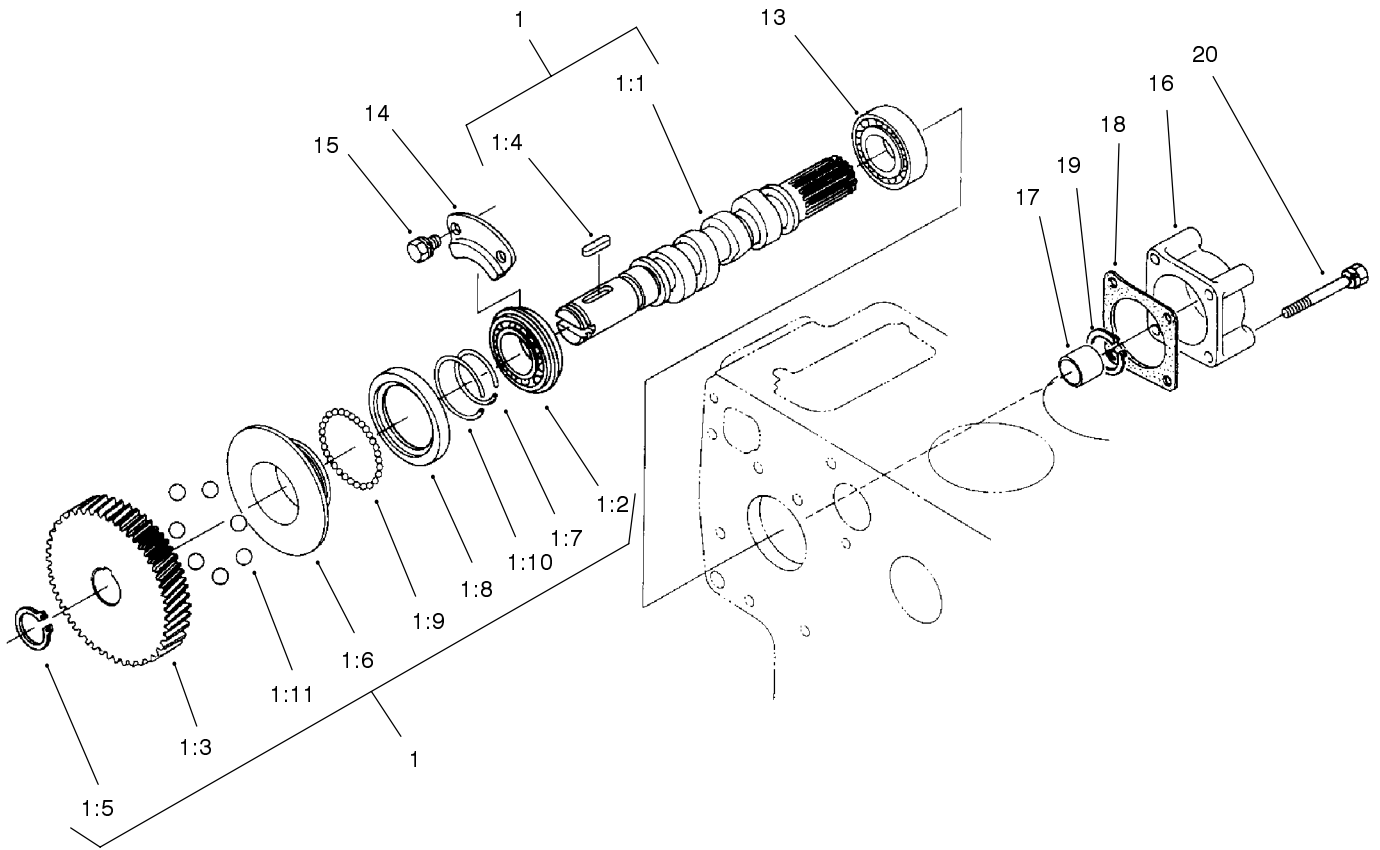


Sheet No.:70  
T-2877-1

## Flywheel Assembly

Ref. No.	Part No.	Qty.	Description
1	98-7532	1	Complete Flywheel
1:1	98-7560	1	Gear, Ring
3	98-7573	6	Bolt Flywheel
4	98-7559	1	Housing, Flywheel
5	98-7883	1	Cover
6	98-7884	2	Bolt
7	98-7535	2	Washer-Spring
8	98-7885	11	Bolt
10	98-7886	1	Gasket

Ref. No.	Part No.	Qty.	Description

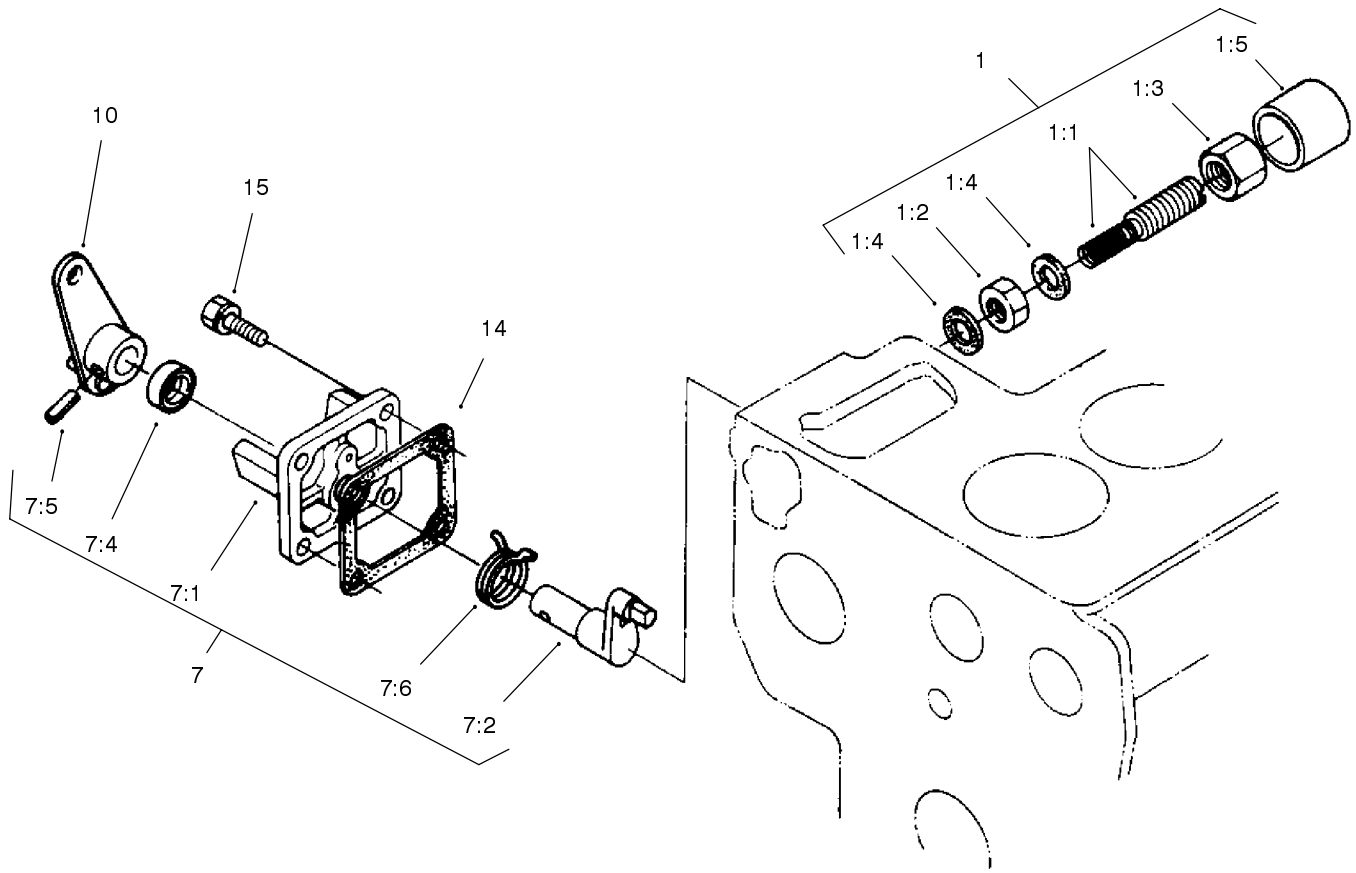


Sheet No.:71  
T-2872-1

## Fuel Camshaft Assembly

Ref. No.	Part No.	Qty.	Description
1	98-7551	1	Assembly Camshaft,Fuel
1:1	98-7508	1	Camshaft - Fuel
1:2	98-7595	1	Bearing, Ball
1:3	98-7574	1	Gear, Injection Pump
1:4	98-7575	1	Key, Feather
1:5	98-7576	1	Cir-Clip, External
1:6	98-7577	1	Sleeve,Governor
1:7	98-7578	1	Cir,Clip,Governor Sleeve
1:8	98-7579	1	Case,Governor Ball
1:9	98-7580	39	Ball
1:10	98-7581	1	Cir,Clip
1:11	98-7582	7	Ball
13	98-7583	1	Bearing, Ball
14	98-7584	1	Stopper
15	98-7585	2	Bolt
16	98-7586	1	Cover,Fuel Camshaft
17	98-7587	1	Collar
18	98-7588	1	Gasket
19	98-7589	1	Cir-Clip,External
20	98-7590	4	Bolt

Ref. No.	Part No.	Qty.	Description



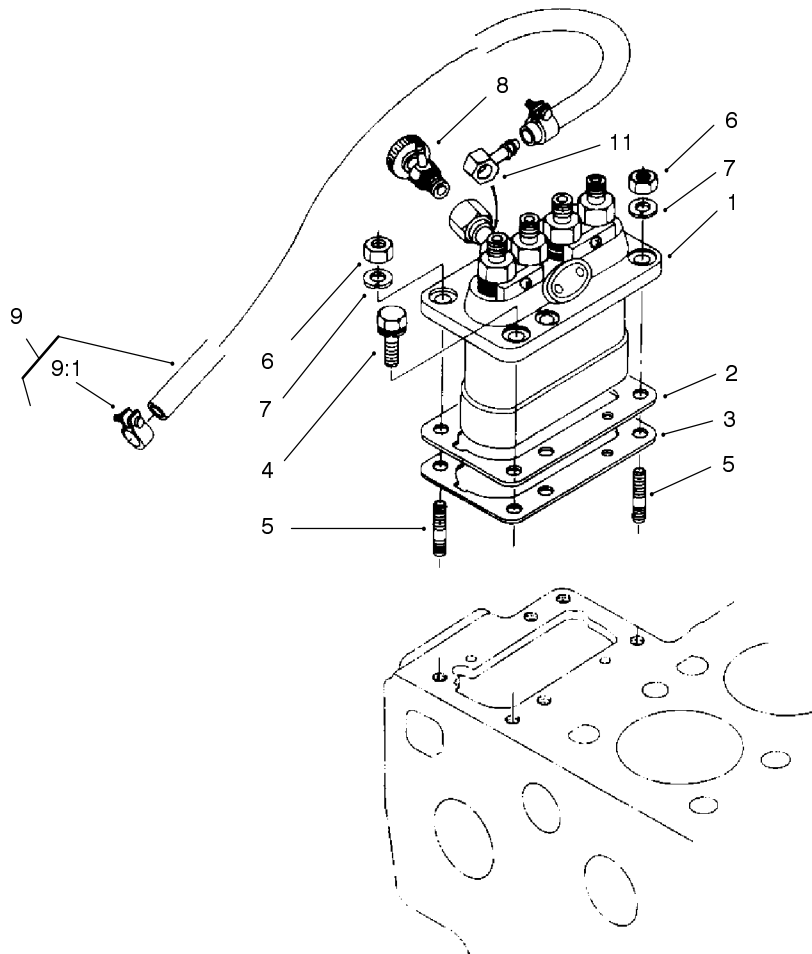
Sheet No.:72  
T-2867-1

## Engine Stop Lever Assembly

Ref. No.	Part No.	Qty.	Description
1	98-7591	1	Assembly Appartus, l/D
1:1	98-7592	1	Assembly Bolt, Adjusting
1:2	98-7593	1	Nut
1:3	98-7594	1	Nut-Cap
1:4	98-7428	2	Gasket
1:5	98-7596	1	Cap
7	98-7597	1	Assembly Lever, Engine Stp
7:1	98-7598	1	Cover, Injection Pump
7:2	98-7599	1	Shaft, Lever
7:4	98-7601	1	Seal-Oil
7:5	98-7602	1	Pin-Spring
7:6	98-7603	1	Spring, Return
14	98-7604	1	Gasket, Pump Cover
15	98-7605	4	Bolt

Ref. No.	Part No.	Qty.	Description



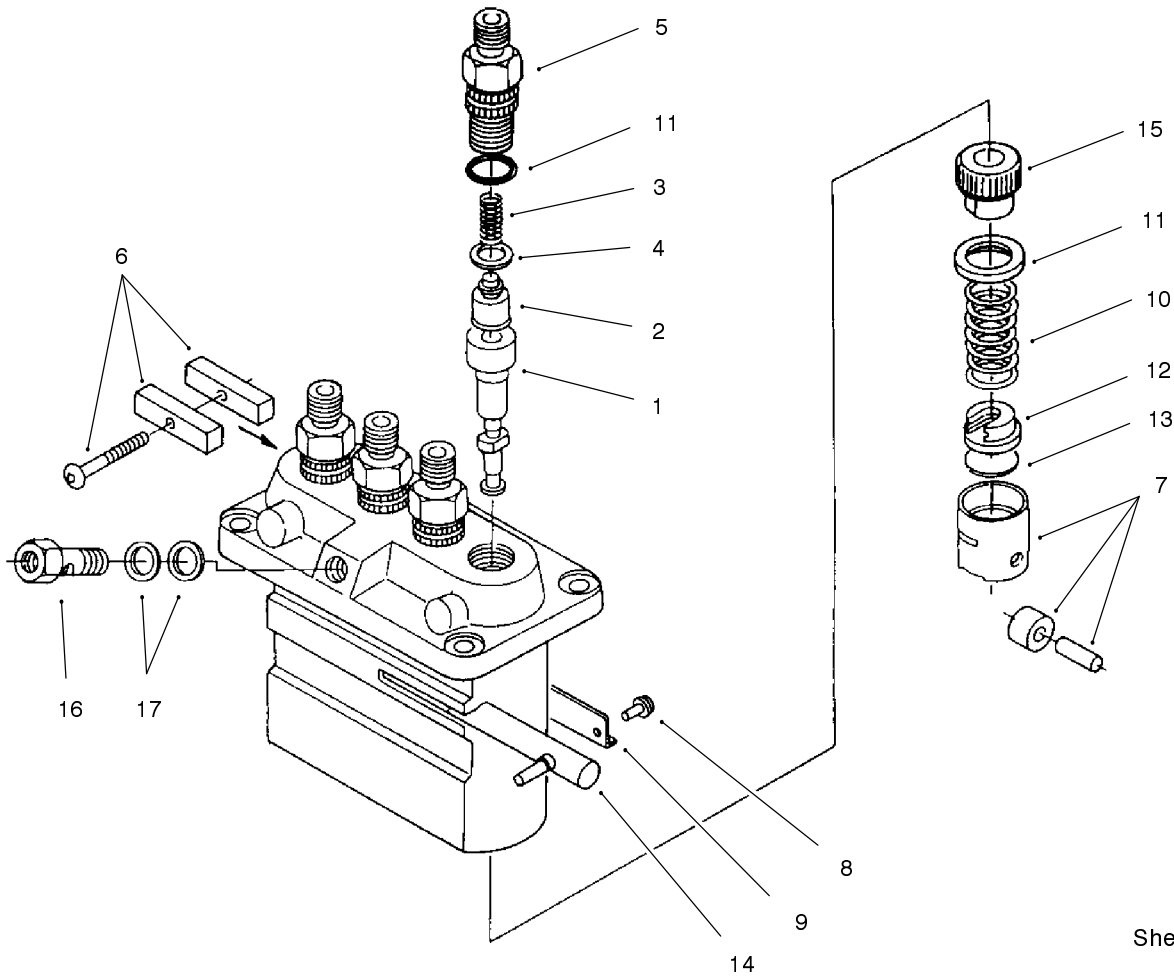


Sheet No.:73

T-2873-1

## Injection Pump Assembly

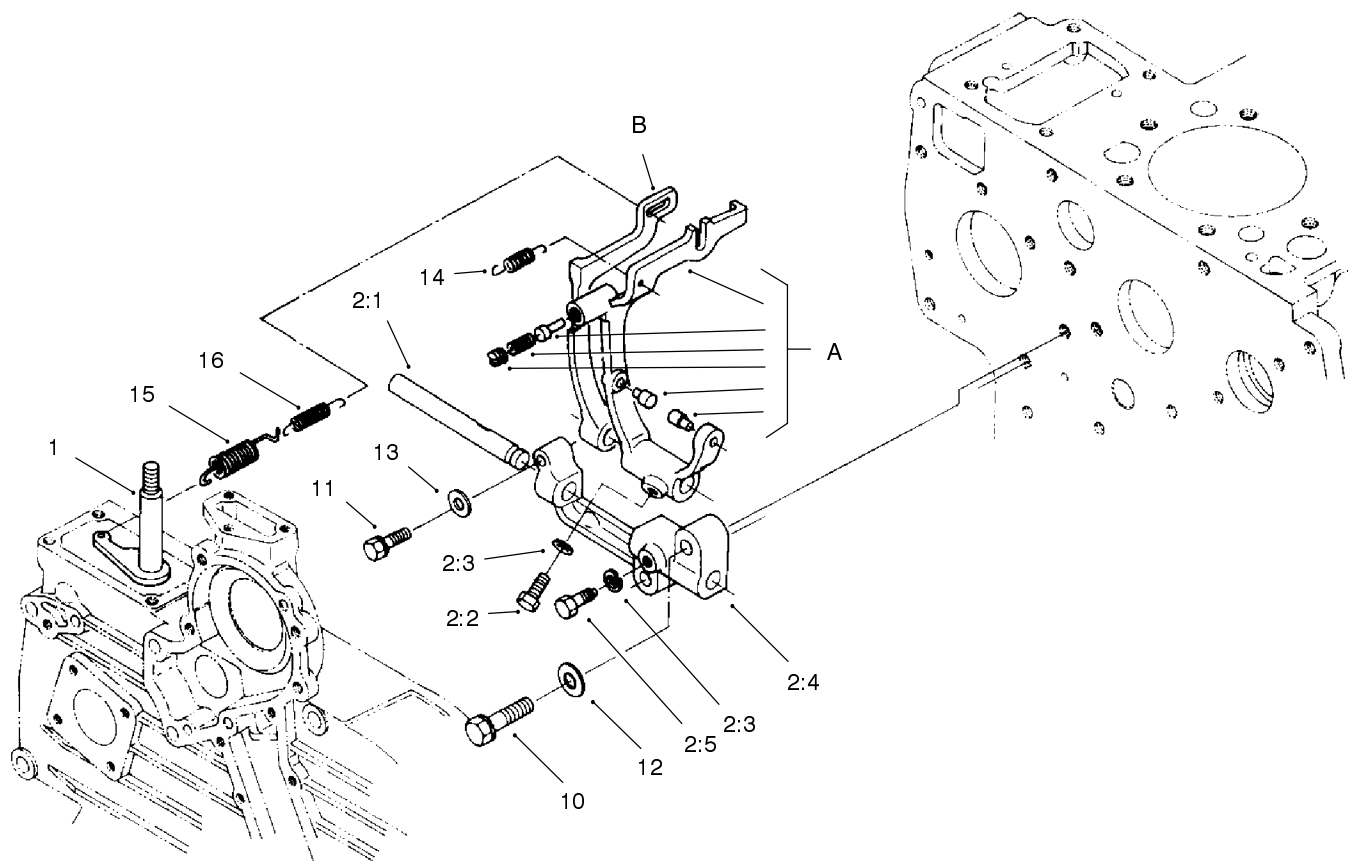
Ref. No.	Part No.	Qty.	Description	Ref. No.	Part No.	Qty.	Description
1	98-7606	1	Assembly Pump, Injection				
2	98-7607	1	Shim				
2	98-7608	1	Shim				
3	98-7609	1	Shim, Injection Pump				
4	98-7610	4	Bolt				
5	98-7533	2	Stud				
6	98-7534	2	Nut				
7	98-7535	2	Washer-Spring				
8	98-7614	1	Assembly Cock, Jet Start				
9	98-7615	1	Assembly Pipe, Fuel				
9:1	98-7616	2	Clip, Pipe				
11	98-7617	1	Joint				



Sheet No.:A1  
T-2874-1

### Injection Pump Assembly No. 98-7606

Ref. No.	Part No.	Qty.	Description	Ref. No.	Part No.	Qty.	Description
1	98-7619	4	Plunger,Pump				
2	98-7620	4	Valve,Delivery				
3	98-7621	4	Spring,Delivery Valve				
4	98-7622	4	Gasket,Delivery Valve				
5	98-7623	4	Holder,Delivery Valve				
6	98-7624	2	Assembly Plate,Lock				
7	98-7625	4	Assembly Tappet				
8	98-7626	4	Pin,Tappet Guide				
9	98-7627	2	Plate				
10	98-7628	4	Spring,Plunger				
11	98-7629	4	Seat,Spring Upper				
12	98-7630	4	Seat,Spring Lower				
13	98-7631	4	Shim				
14	98-7632	1	Rack,Control				
15	98-7634	4	Sleeve,Control				
16	98-7635	1	Screw,Follow				
17	98-7636	2	Gasket				
18	98-7637	4	O Ring				



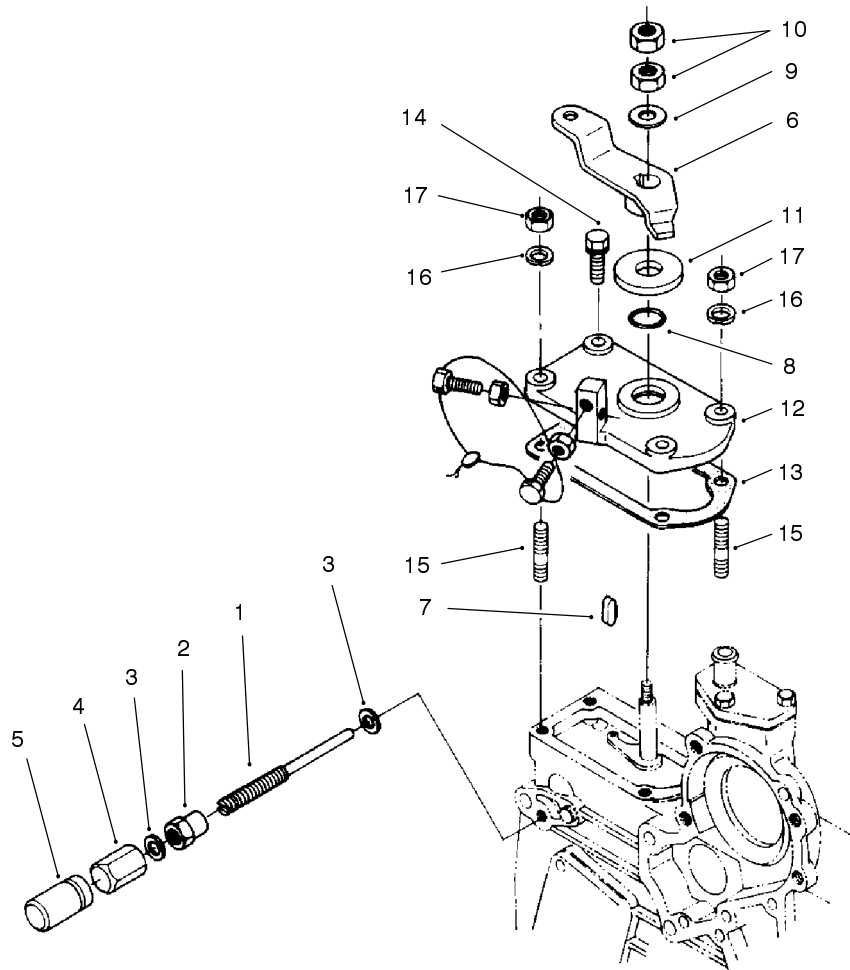
Sheet No.:75

T-2878-2

## Governor Assembly

Ref. No.	Part No.	Qty.	Description
1	98-7638	1	Complete Lever,Governor
2	98-7639	1	Assembly Lever,Fork
2:1	98-7640	1	Shaft,Fork Lever
2:2	98-7641	1	Bolt,Lever Shaft
2:3	98-7515	2	Washer - Spring
2:4	98-7643	1	Holder,Fork Lever
2:5	98-7644	1	Bolt
10	98-7645	2	Bolt
11	98-7646	1	Bolt
12	98-7536	2	Washer,Plain
13	98-7648	1	Washer-Plain
14	98-7649	1	Spring,Start
15	98-7650	1	Spring,Governor
16	98-7651	1	Spring,Governor

Ref. No.	Part No.	Qty.	Description

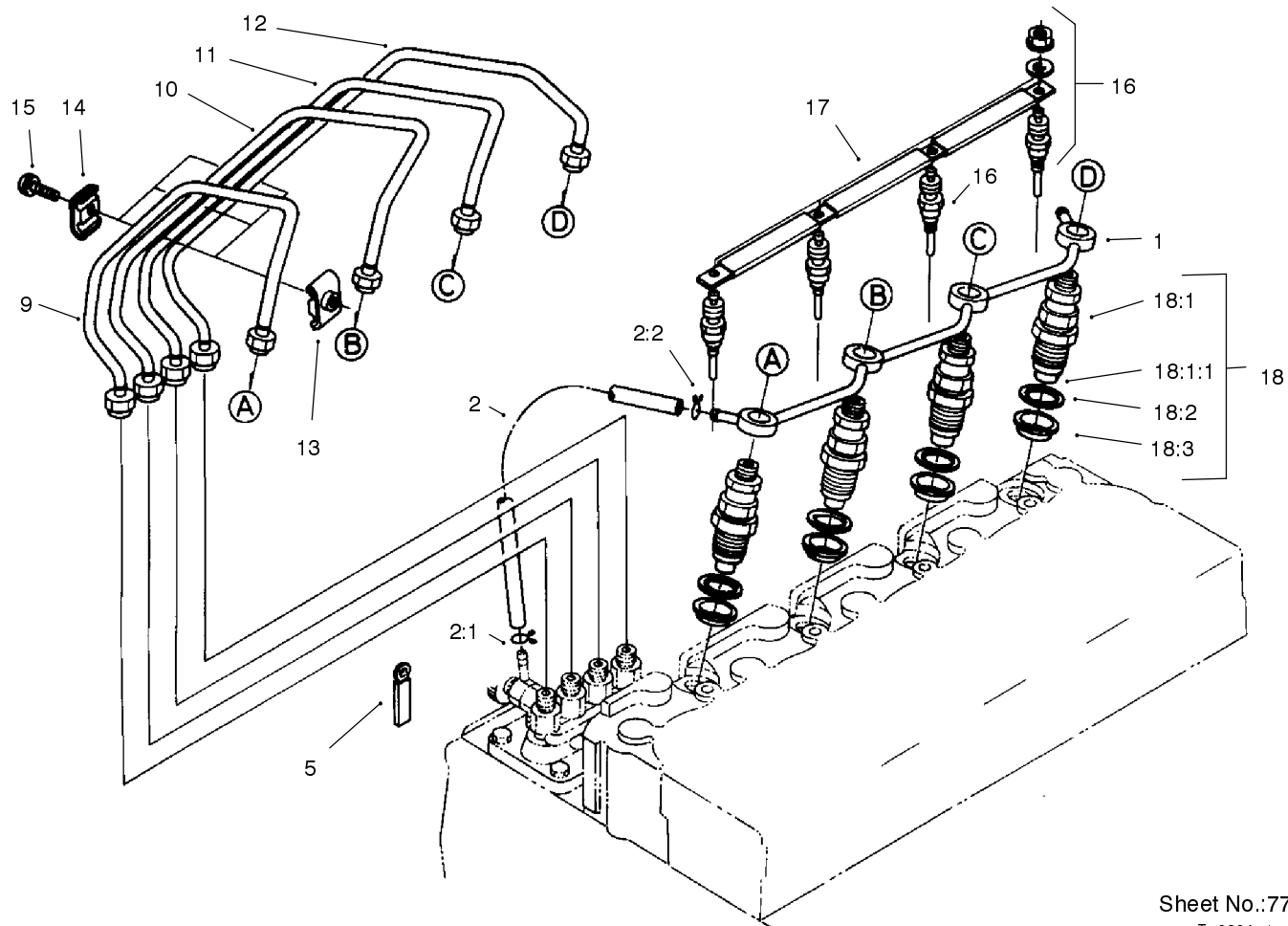


Sheet No.:76  
T-2860-1

## Speed Control Plate Assembly

Ref. No.	Part No.	Qty.	Description
1	98-7652	1	Bolt,Adjusting
2	98-7653	1	Nut
3	98-7654	2	Gasket
4	98-7655	1	Nut-Cap
5	98-7656	1	Cap
6	98-7657	1	Lever,Speed Control
7	98-7658	1	Key-Feather
8	98-7659	1	O Ring
9	98-7660	1	Washer-Plain
10	98-7661	2	Nut
11	98-7662	1	Collar
12	98-7663	1	Plate,Speed Control
13	98-7664	1	Gasket
14	98-7568	2	Bolt
15	98-7571	2	Stud
16	98-7515	2	Washer - Spring
17	98-7572	2	Nut

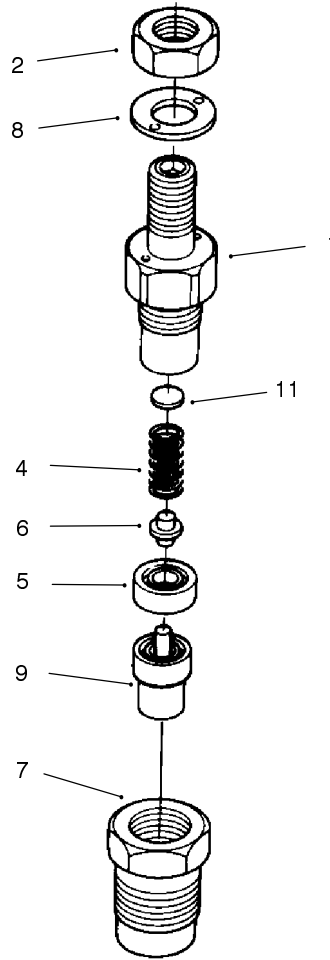
Ref. No.	Part No.	Qty.	Description
----------	----------	------	-------------



Sheet No.:77  
T-2864-1

### Nozzle Holder and Glow Plug Assembly

Ref. No.	Part No.	Qty.	Description	Ref. No.	Part No.	Qty.	Description
1	98-7669	1	Assembly Pipe,Over Flow				
2	98-7670	1	Assembly Pipe,Over Flow				
2:1	98-7671	1	Clip-Pipe				
2:2	98-7672	1	Clip, Pipe				
5	98-7673	1	Clamp,Cord				
9	98-7678	1	Pipe,Injection				
10	98-7679	1	Pipe,Injection				
11	98-7680	1	Pipe,Injection				
12	98-7681	1	Pipe,Injection				
13	98-7682	3	Clamp-Pipe				
14	98-7683	3	Clamp-Pipe				
15	98-7684	3	Screw w/Washer				
16	98-7685	4	Plug,Glow				
17	98-7686	1	Cord,Glow Plug				
18	98-7687	4	Kit Holder,Nozzle				
18:1	98-7674	4	Assembly Holder,Nozzle				
18:1:1	98-7675	1	Piece,Nozzle				
18:2	98-7676	4	Gasket				
18:3	98-7677	4	Seal				

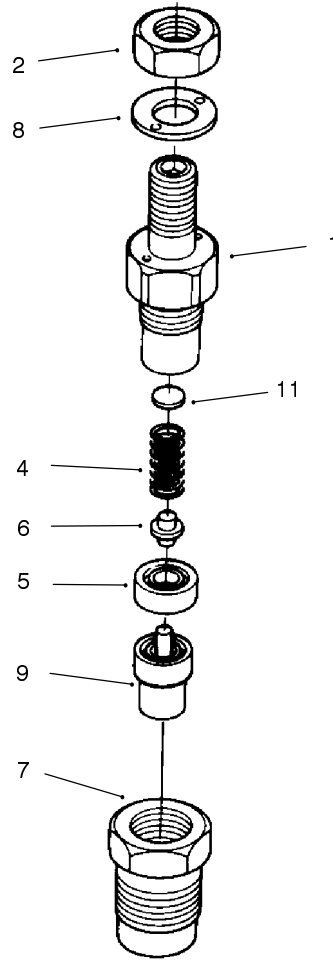


Sheet No.:78  
T-2856-2

## Nozzle Holder Assembly No. 98-7688

Ref. No.	Part No.	Qty.	Description
1	98-7674	4	Assembly Holder, Nozzle
1:1	98-7675	1	Piece, Nozzle
2	98-7613	4	Nut
3	98-7642	4	Washer-Adjusting
4	98-7647	4	Spring-Nozzle
5	98-7665	4	Piece-Distant
6	98-7666	4	Rod-Push
7	98-7667	4	Nut - Nozzle
8	98-7668	4	Washer
9	98-7700	4	Piece Nozzle
11	98-7642	4	Washer-Adjusting
12	98-7841	4	Washer-Adjusting
13	98-7842	4	Washer-Adjusting
14	98-7843	4	Washer-Adjusting
15	98-7844	4	Washer-Adjusting
16	98-7845	4	Washer-Adjusting
17	98-7846	4	Washer-Adjusting
18	98-7847	4	Washer-Adjusting
19	98-7848	4	Washer-Adjusting
20	98-7849	4	Washer-Adjusting
21	98-7850	4	Washer-Adjusting
22	98-7851	4	Washer-Adjusting
23	98-7852	4	Washer-Adjusting
24	98-7853	4	Washer-Adjusting
25	98-7854	4	Washer-Adjusting

Ref. No.	Part No.	Qty.	Description
26	98-7855	4	Washer-Adjusting
27	98-7856	4	Washer-Adjusting
28	98-7857	4	Washer-Adjusting
29	98-7858	4	Washer-Adjusting
30	98-7859	4	Washer-Adjusting
31	98-7860	4	Washer-Adjusting
32	98-7861	4	Washer-Adjusting
33	98-7862	4	Washer-Adjusting
34	98-7863	4	Washer-Adjusting
35	98-7864	4	Washer-Adjusting
36	98-7865	4	Washer-Adjusting
37	98-7866	4	Washer-Adjusting
38	98-7867	4	Washer-Adjusting
39	98-7868	4	Washer-Adjusting
40	98-7869	4	Washer-Adjusting
41	98-7870	4	Washer-Adjusting
42	98-7871	4	Washer-Adjusting
43	98-7872	4	Washer-Adjusting
44	98-7873	4	Washer-Adjusting
45	98-7874	4	Washer-Adjusting
46	98-7875	4	Washer-Adjusting
47	98-7876	4	Washer-Adjusting
48	98-7877	4	Washer-Adjusting
49	98-7878	4	Washer-Adjusting
50	98-7879	4	Washer-Adjusting
51	98-7880	4	Washer-Adjusting

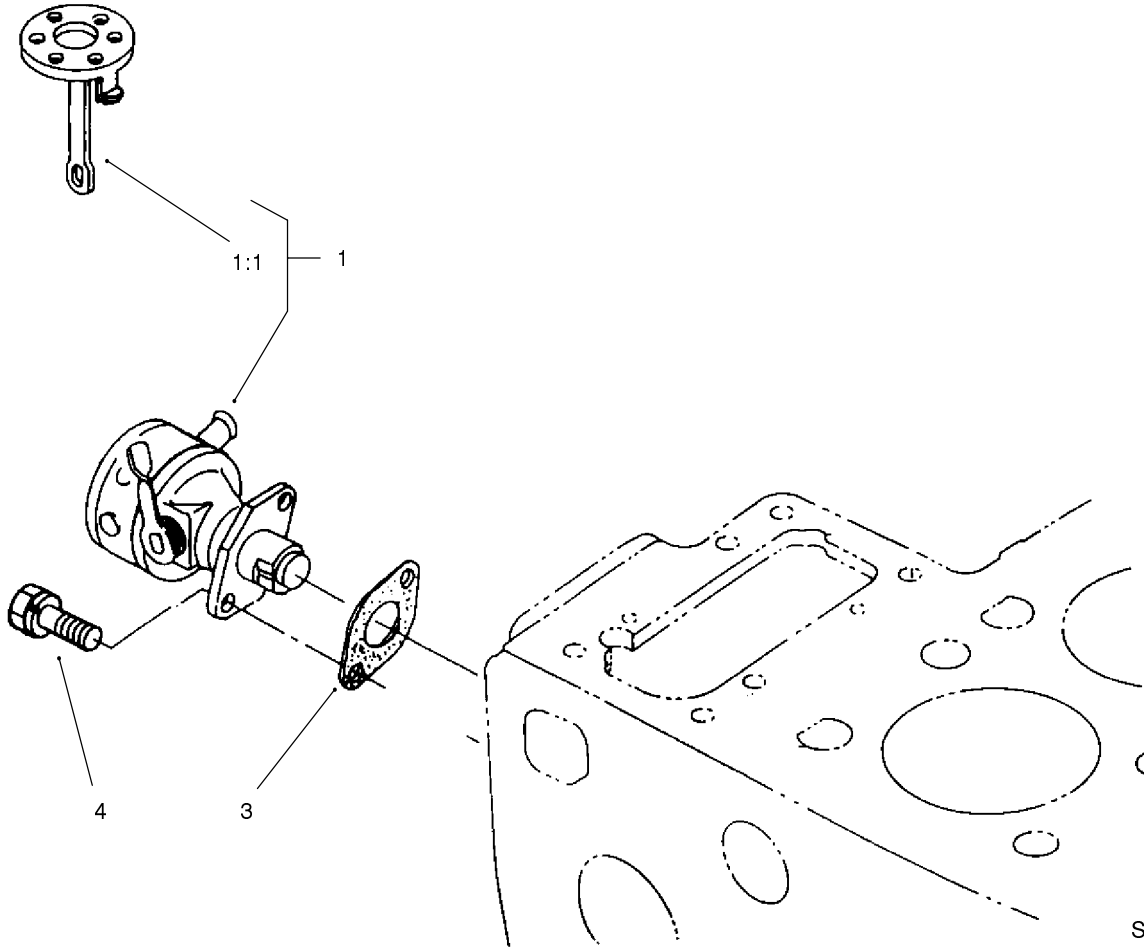


Sheet No.:78  
T-2856-2

## Nozzle Holder Assembly No. 98-7688

Ref. No.	Part No.	Qty.	Description
52	98-7881	4	Washer-Adjusting
53	98-7882	4	Washer-Adjusting

Ref. No.	Part No.	Qty.	Description



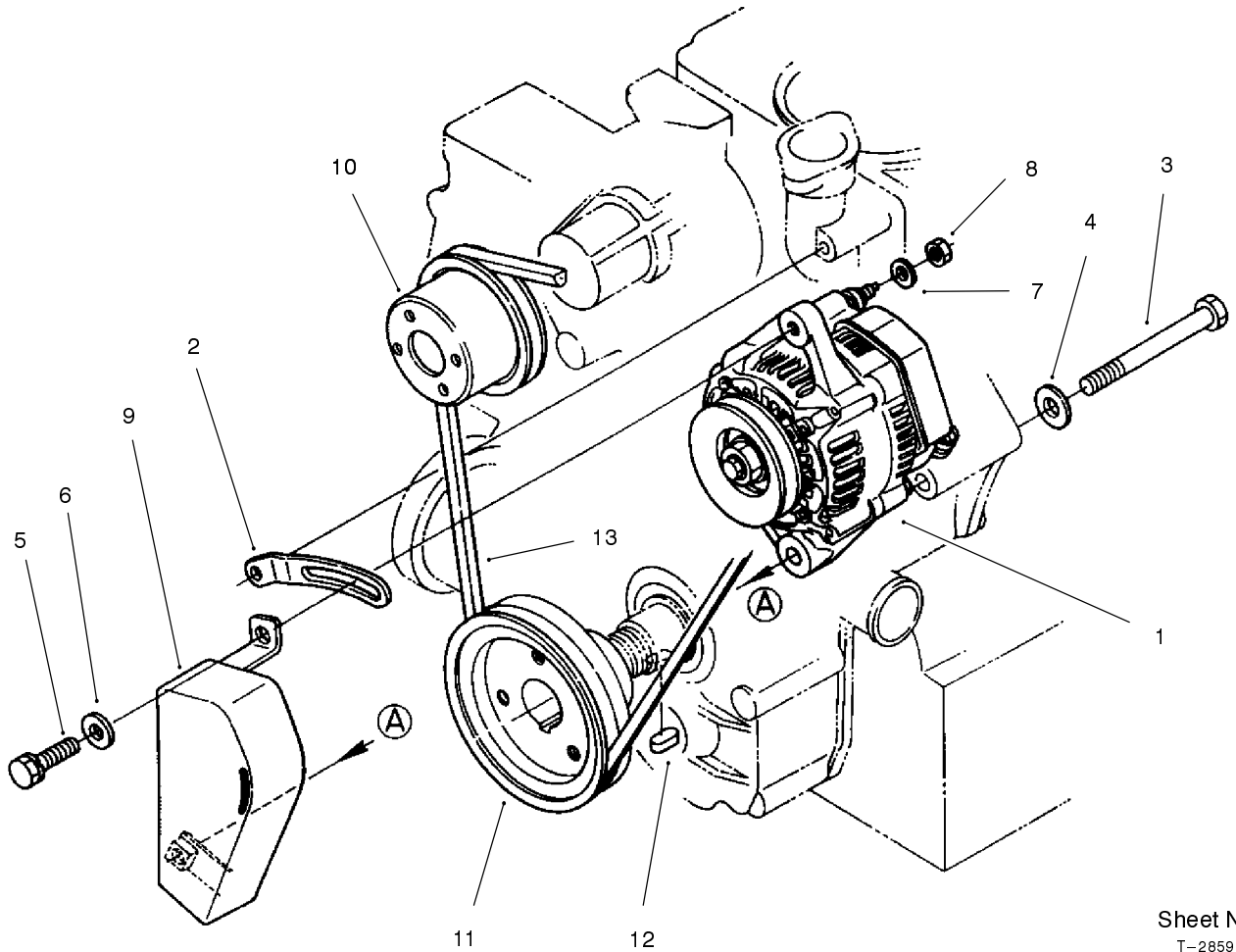
Sheet No.:79  
T-2865-1

## Fuel Pump Assembly

Ref. No.	Part No.	Qty.	Description
1	98-7689	1	Assembly Pump,Fuel
1:1	98-7690	1	Complete Diaphragm
3	98-7691	1	Gasket-Fuel Pump
4	98-7692	2	Bolt

Ref. No.	Part No.	Qty.	Description



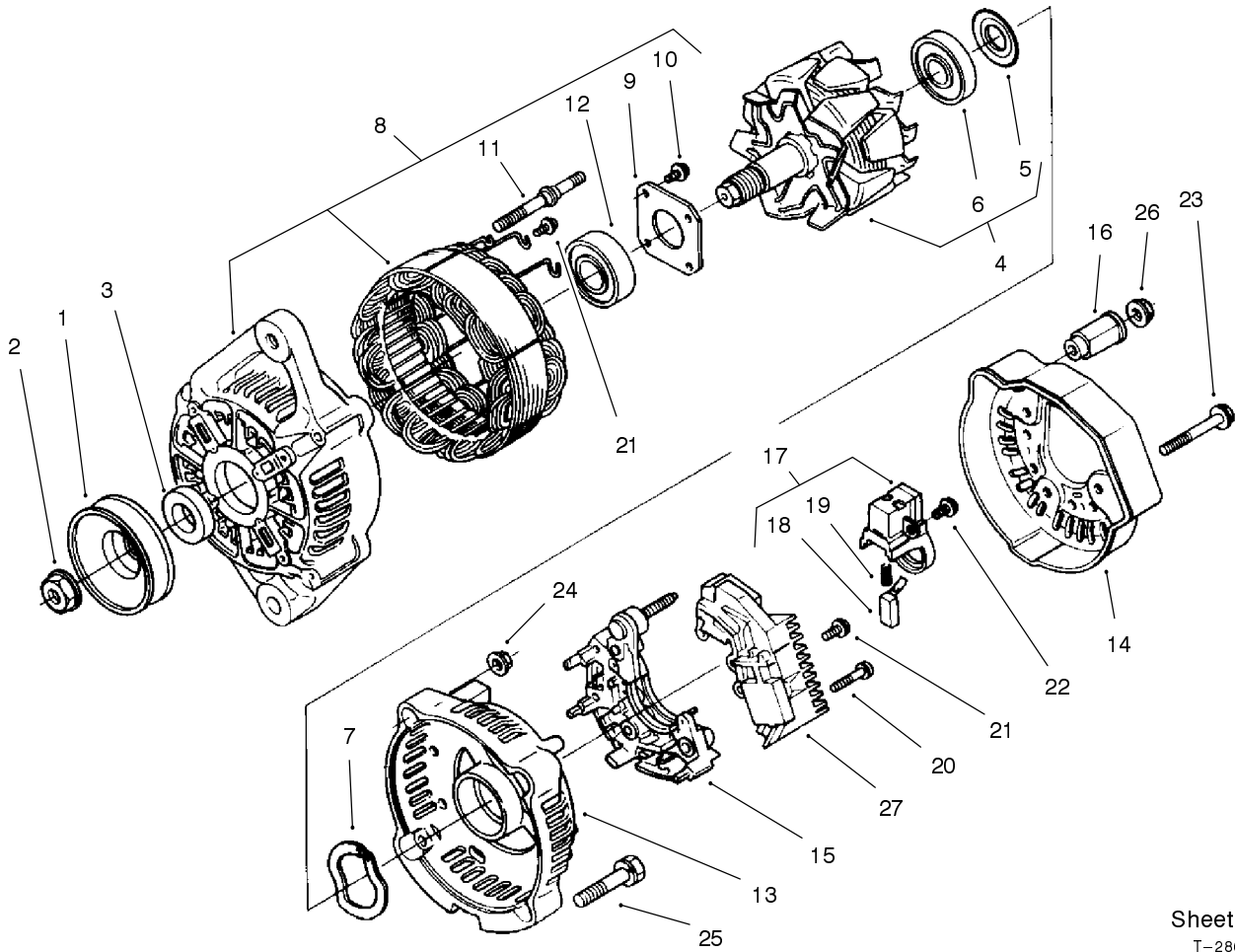


Sheet No.:80  
T-2859-1

### Alternator and Pulley Assembly

Ref. No.	Part No.	Qty.	Description
1	98-7693	1	Assembly Alternator
2	98-7694	1	Bracket-Alternator
3	98-7695	1	Bolt
4	98-7696	1	Washer,Plain
5	98-7697	1	Bolt
6	98-7698	1	Washer-Plain
7	98-7699	1	Washer, Spring
8	98-7572	1	Nut
9	98-7701	1	Cover, Belt
10	98-7702	1	Pulley,Fan
11	98-7703	1	Pulley,Fan Drive
12	98-7451	1	Key - Feather
13	98-7705	1	V Belt

Ref. No.	Part No.	Qty.	Description

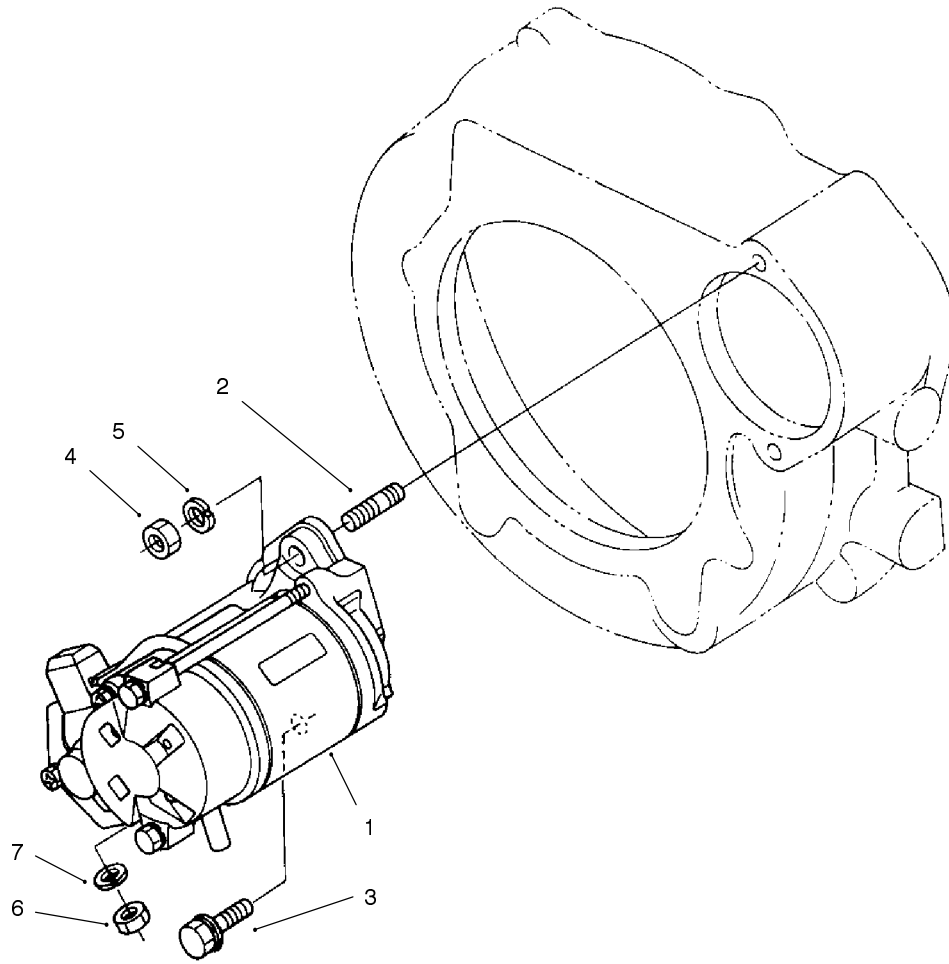


Sheet No.:A2  
T-2866-1

## Alternator Assembly No. 98-7693

Ref. No.	Part No.	Qty.	Description
1	98-7707	1	Pulley, Alternator
2	98-7708	1	Nut
3	98-7709	1	Collar
4	98-7710	1	Rotor
5	98-7711	1	Cover-Bearing
6	98-7712	1	Bearing-Ball
7	98-7713	1	Washer-Thrust
8	98-7714	1	Frame-End, Drive
9	98-7715	1	Plate-Retainer
10	98-7716	4	Screw-Head, Round
11	98-7717	2	Bolt-Through
12	98-7718	1	Bearing-Ball
13	98-7719	1	Frame-End
14	98-7720	1	Cover-End
15	98-7721	1	Rectifier ASM
16	98-7722	1	Bushing-Insulation
17	98-7723	1	Holder-Brush
18	98-7724	2	Brush
19	98-7725	2	Spring-Brush
20	98-7726	2	Screw-Head, Round
21	98-7727	6	Screw-Head, Round
22	98-7728	1	Screw-Head, Round
23	98-7729	3	Bolt
24	98-7730	2	Nut
25	98-7731	2	Bolt

Ref. No.	Part No.	Qty.	Description
26	98-7732	1	Nut
27	98-7733	1	Regulator ASM

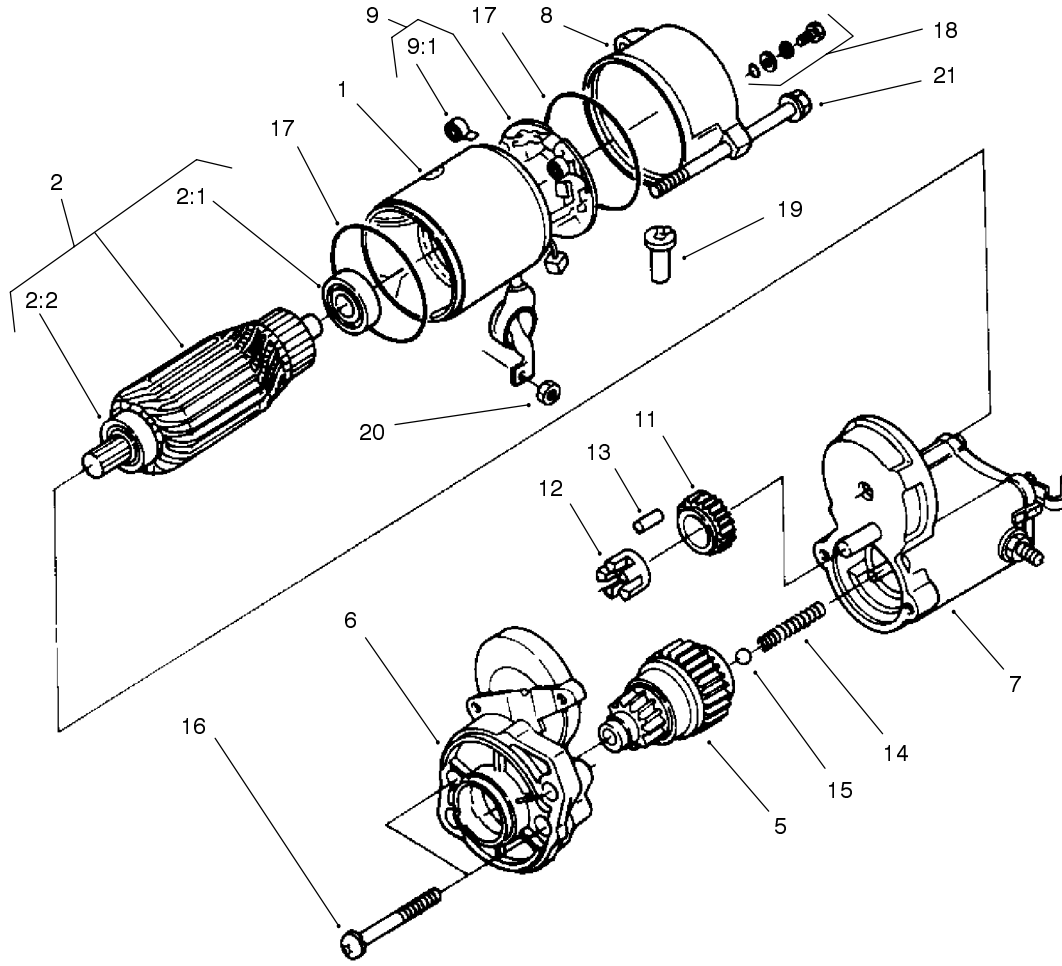


Sheet No.:82  
T-2861-1

### Starter Assembly

Ref. No.	Part No.	Qty.	Description
1	98-7734	1	Assembly Starter
2	98-7735	1	Stud
3	98-7736	1	Bolt
4	98-7737	1	Nut
5	98-7738	1	Washer, Spring
6	98-7739	1	Nut
7	98-7535	1	Washer-Spring

Ref. No.	Part No.	Qty.	Description



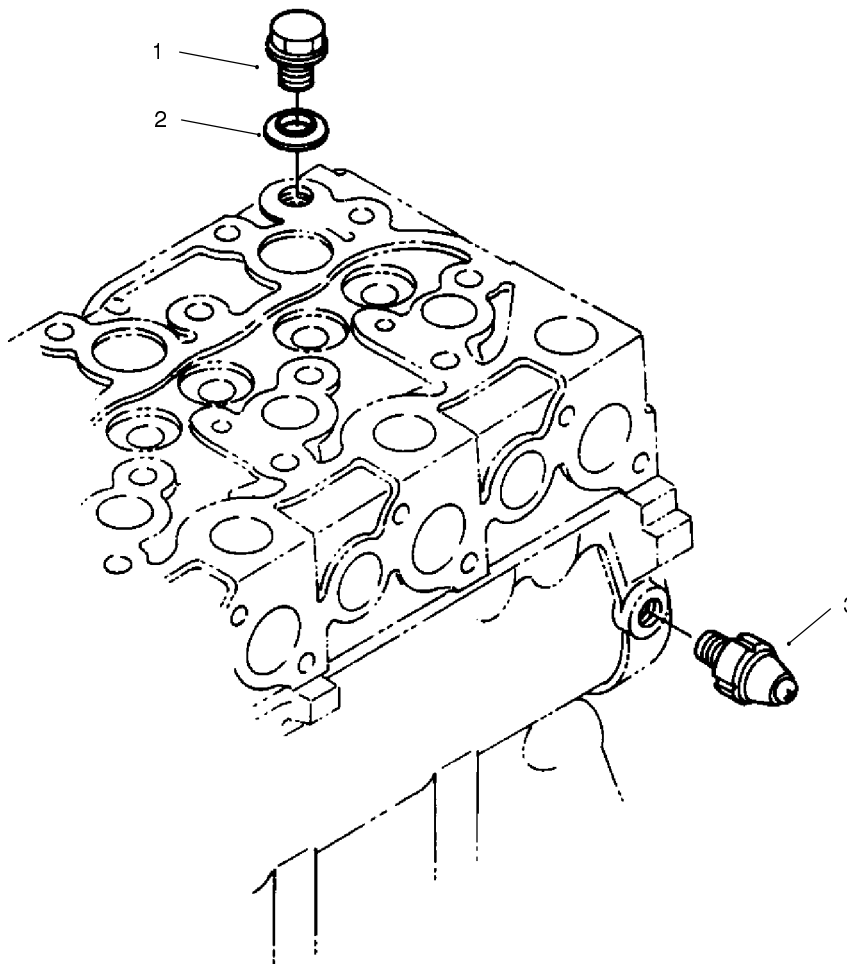
Sheet No.:A3

T-2891-1

### Starter Assembly No. 98-7734

Ref. No.	Part No.	Qty.	Description
1	98-7741	1	Yoke ASM
2	98-7742	1	Armature ASM
2:1	98-7743	1	Bearing
2:2	98-7744	1	Bearing
5	98-7745	1	Clutch,Over Running
6	98-7746	1	Frame,Drive End
7	98-7747	1	Assembly Switch, Magnetic
8	98-7748	1	Frame, End
9	98-7749	1	Brush Holder ASM
9:1	98-7750	4	Spring-Brush
11	98-7751	1	Gear
12	98-7752	1	Retainer
13	98-7753	5	Roller
14	98-7754	1	Spring
15	98-7755	1	Ball
16	98-7756	2	Bolt
17	98-7757	2	O-Ring
18	98-7758	2	Bolt ASM
19	98-7759	1	Pipe-Drain
20	98-7760	1	Nut,Hexagon
21	98-7761	2	Bolt,Through

Ref. No.	Part No.	Qty.	Description

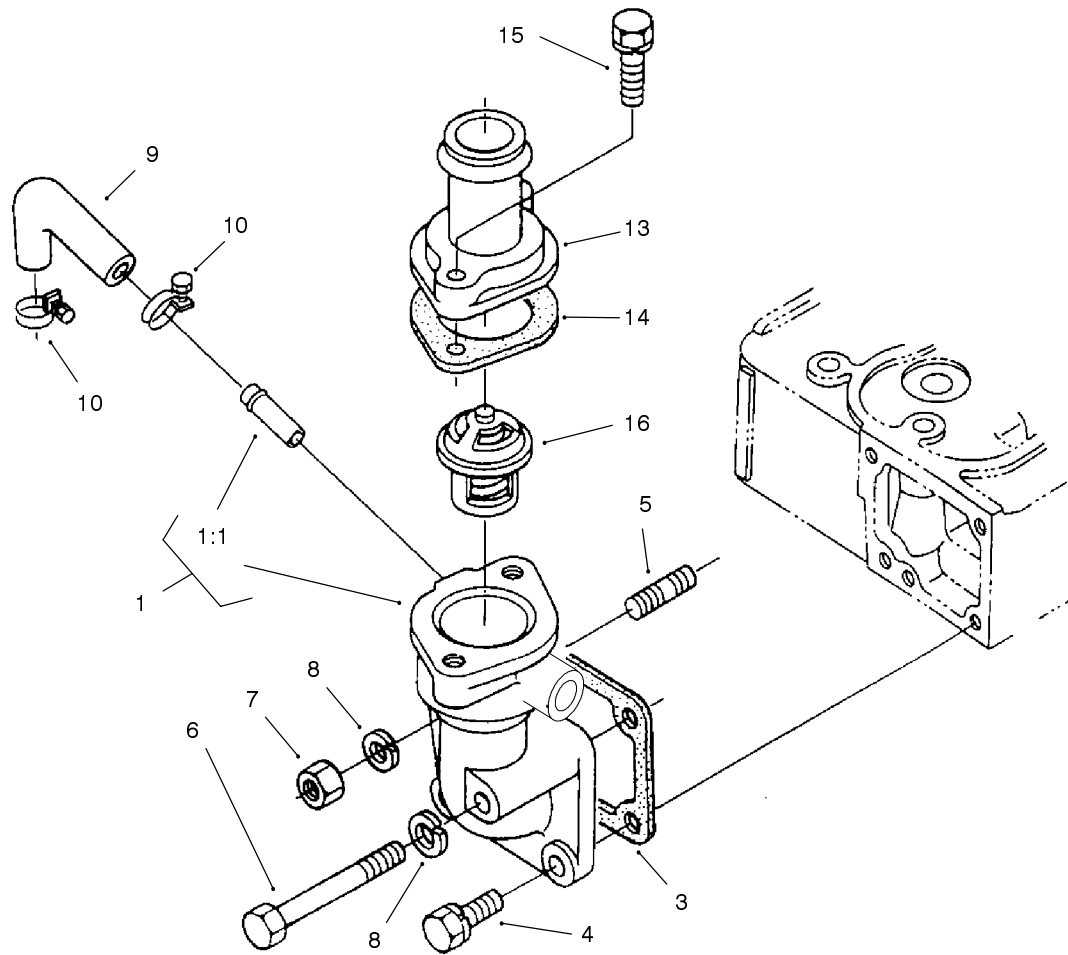


Sheet No.:84  
T-2857-1

### Oil Switch and Plug Assembly

Ref. No.	Part No.	Qty.	Description
1	98-7762	1	Plug-Glow
2	98-7763	1	Washer,w/Rubber
3	98-7764	1	Switch-Oil

Ref. No.	Part No.	Qty.	Description



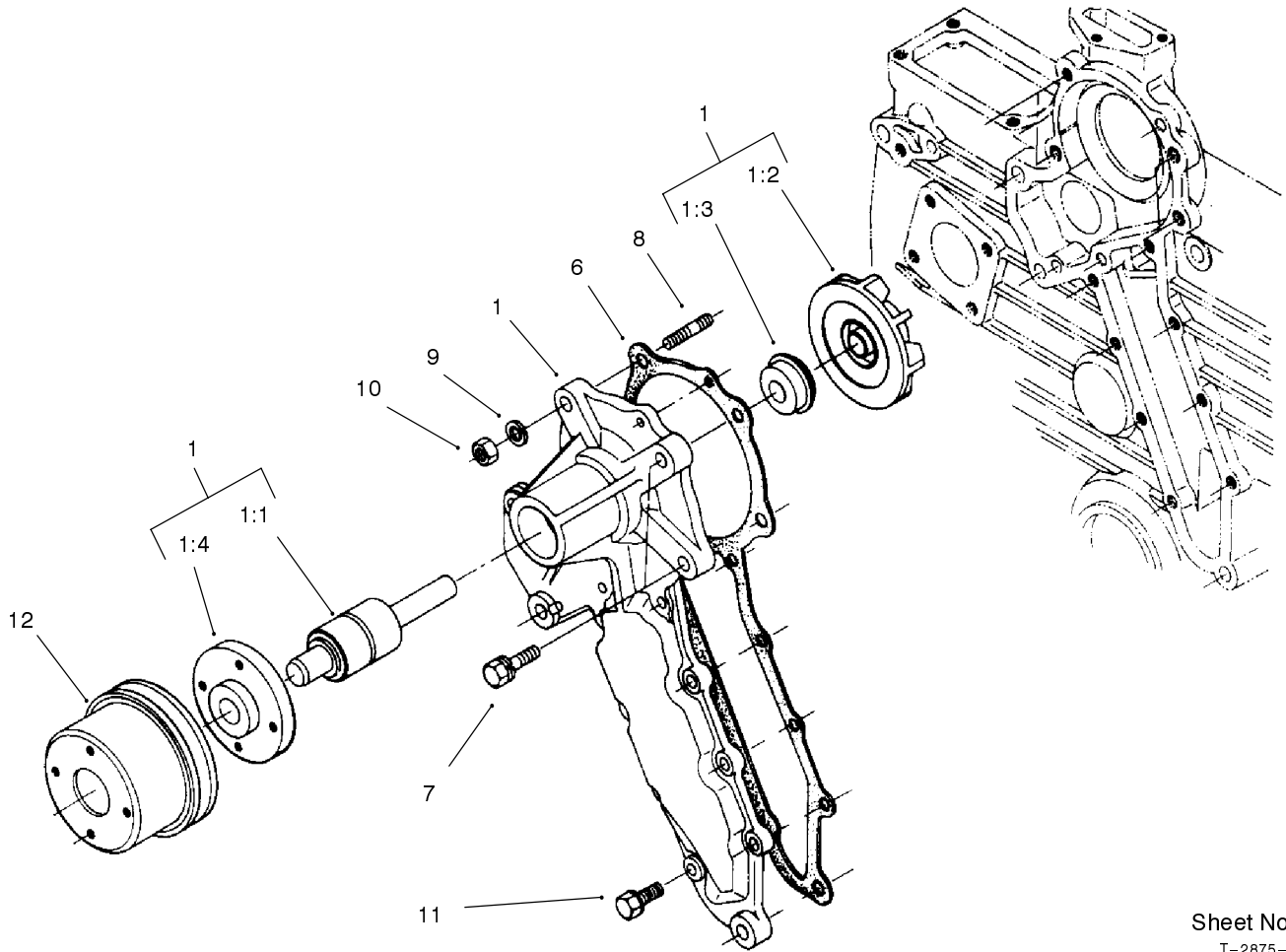
Sheet No.:85

T-2871-1

### Water Flange and Thermostat Assembly

Ref. No.	Part No.	Qty.	Description
1	98-7765	1	Complete Water Flange
1:1	98-7766	1	Pipe,Water Return
3	98-7767	1	Gasket,Water Flange
4	98-7610	2	Bolt
5	98-7769	1	Stud
6	98-7554	1	Bolt
7	98-7534	1	Nut
8	98-7635	2	Screw,Follow
9	98-7773	1	Pipe,Water Return
10	98-7774	2	Band, Pipe
13	98-7775	1	Cover,Thermostat
14	98-7776	1	Gasket
15	98-7777	1	Bolt
16	98-7778	1	Thermostat ASM

Ref. No.	Part No.	Qty.	Description

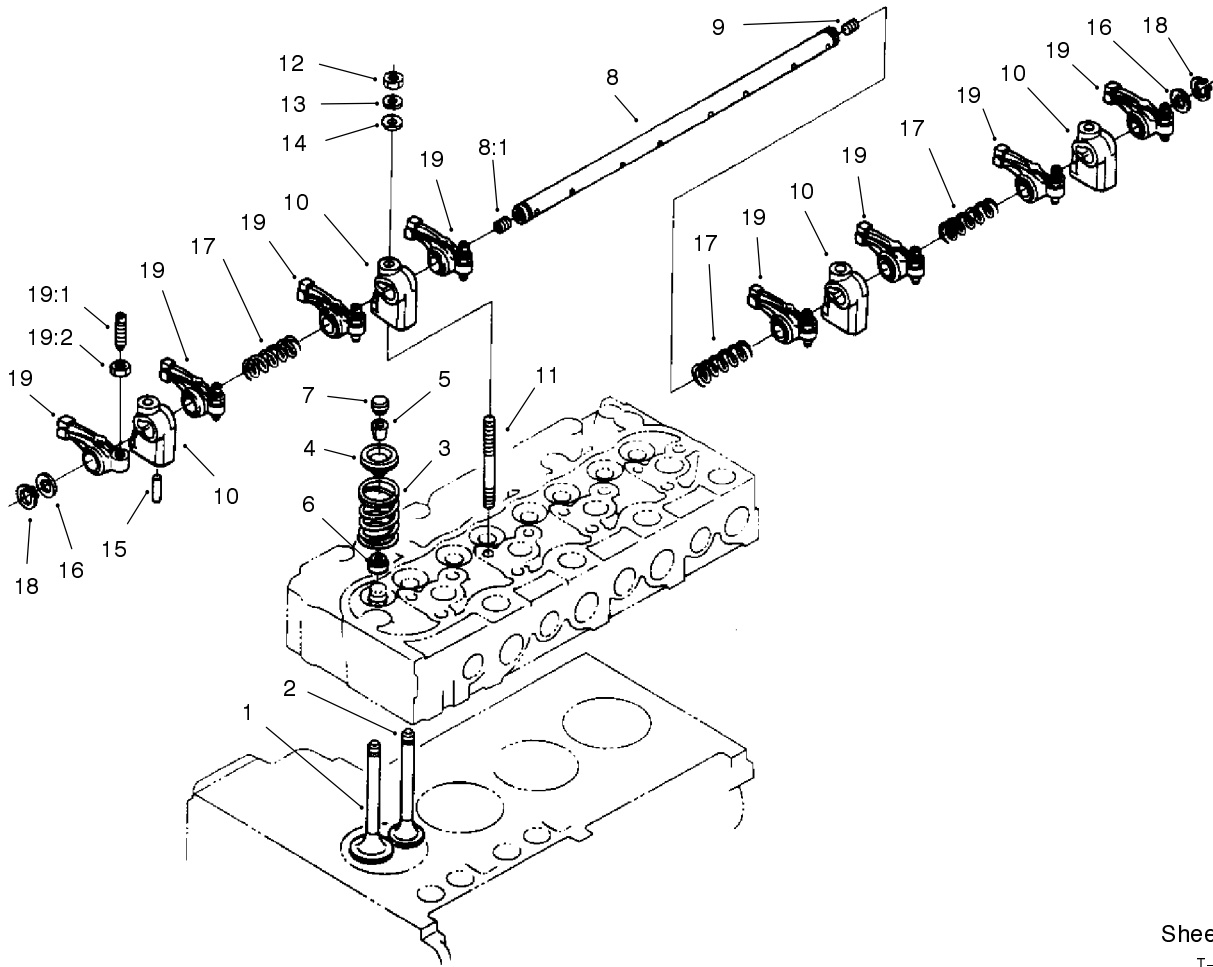


Sheet No.:86  
T-2875-1

## Water Pump Assembly

Ref. No.	Part No.	Qty.	Description
1	98-7779	1	Assembly Pump,Water
1:1	98-7780	1	Bearing,Ball
1:2	98-7781	1	Impeller,Water Pump
1:3	98-7782	1	Assembly Seal,Mechanical
1:4	98-7783	1	Flange,Water Pump
6	98-7784	1	Gasket,Water Pump
7	98-7439	2	Bolt
8	98-7786	2	Stud
9	98-7535	2	Washer-Spring
10	98-7534	2	Nut
11	98-7605	8	Bolt
12	98-7702	1	Pulley,Fan

Ref. No.	Part No.	Qty.	Description

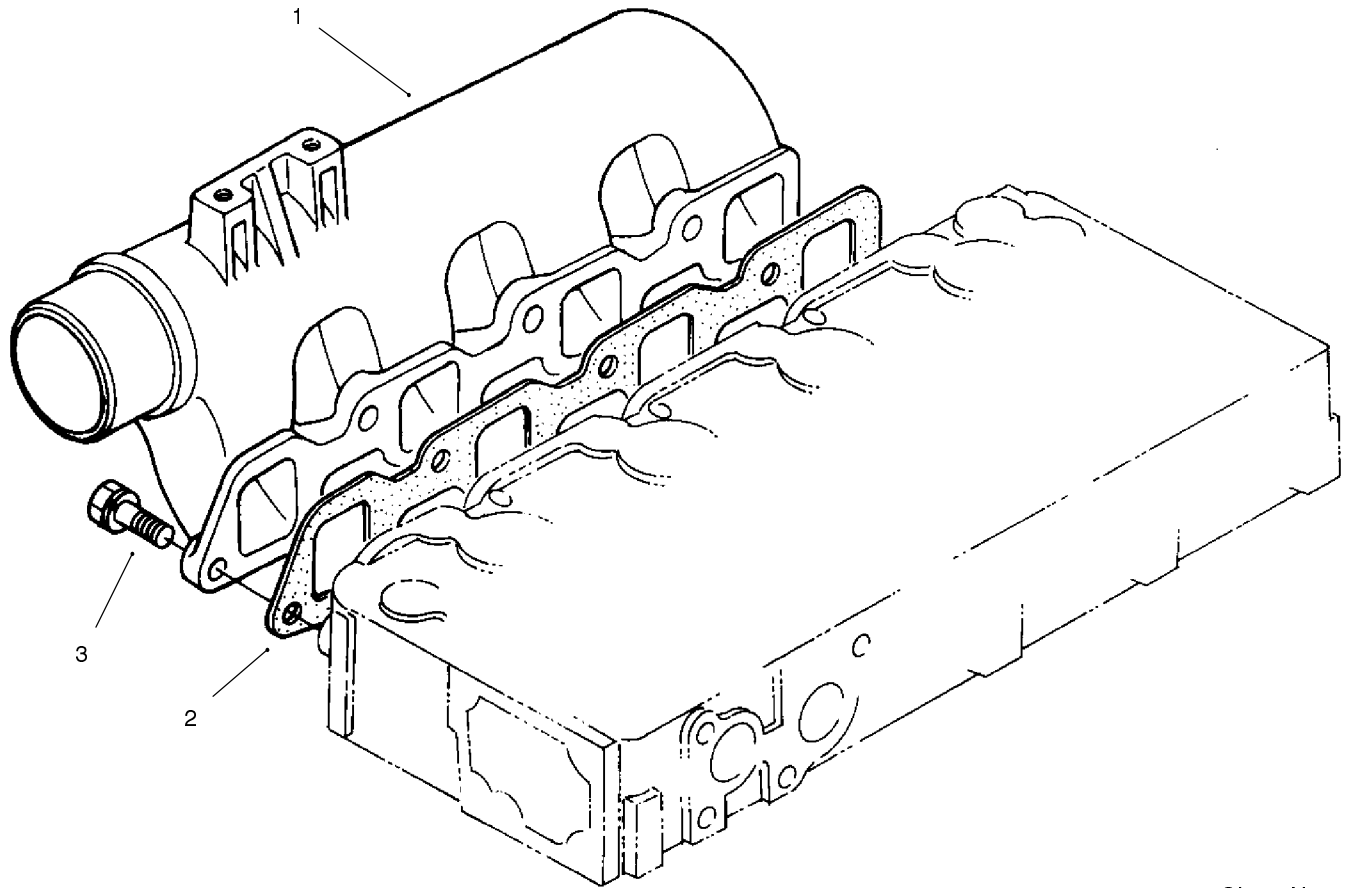


Sheet No.:87  
T-2883-1

## Valve and Rocker Assembly

Ref. No.	Part No.	Qty.	Description	Ref. No.	Part No.	Qty.	Description
1	98-7791	4	Valve,Inlet				
2	98-7792	4	Valve,Exhaust				
3	98-7793	8	Spring,Valve				
4	98-7794	8	Retainer,Valve Spring				
5	98-7795	8	Collet,Valve Spring				
6	98-7796	8	Seal,Valve Stem				
7	98-7797	8	Cap,Valve				
8	98-7798	1	Assembly Shaft,Rocker Arm				
8:1	98-7799	2	Screw,Set				
10	98-7800	4	Bracket,Rocker Arm				
11	98-7801	4	Stud				
12	98-7534	4	Nut				
13	98-7535	4	Washer-Spring				
14	98-7536	4	Washer,Plain				
15	98-7805	1	Pin,Spring				
16	98-7806	2	Washer				
17	98-7807	3	Spring,Rocker Arm				
18	98-7808	2	Cir-Clip,External				
19	98-7809	8	Assembly,Rocker Arm				
19:1	98-7810	1	Screw,Adjusting				
19:2	98-7811	1	Nut				



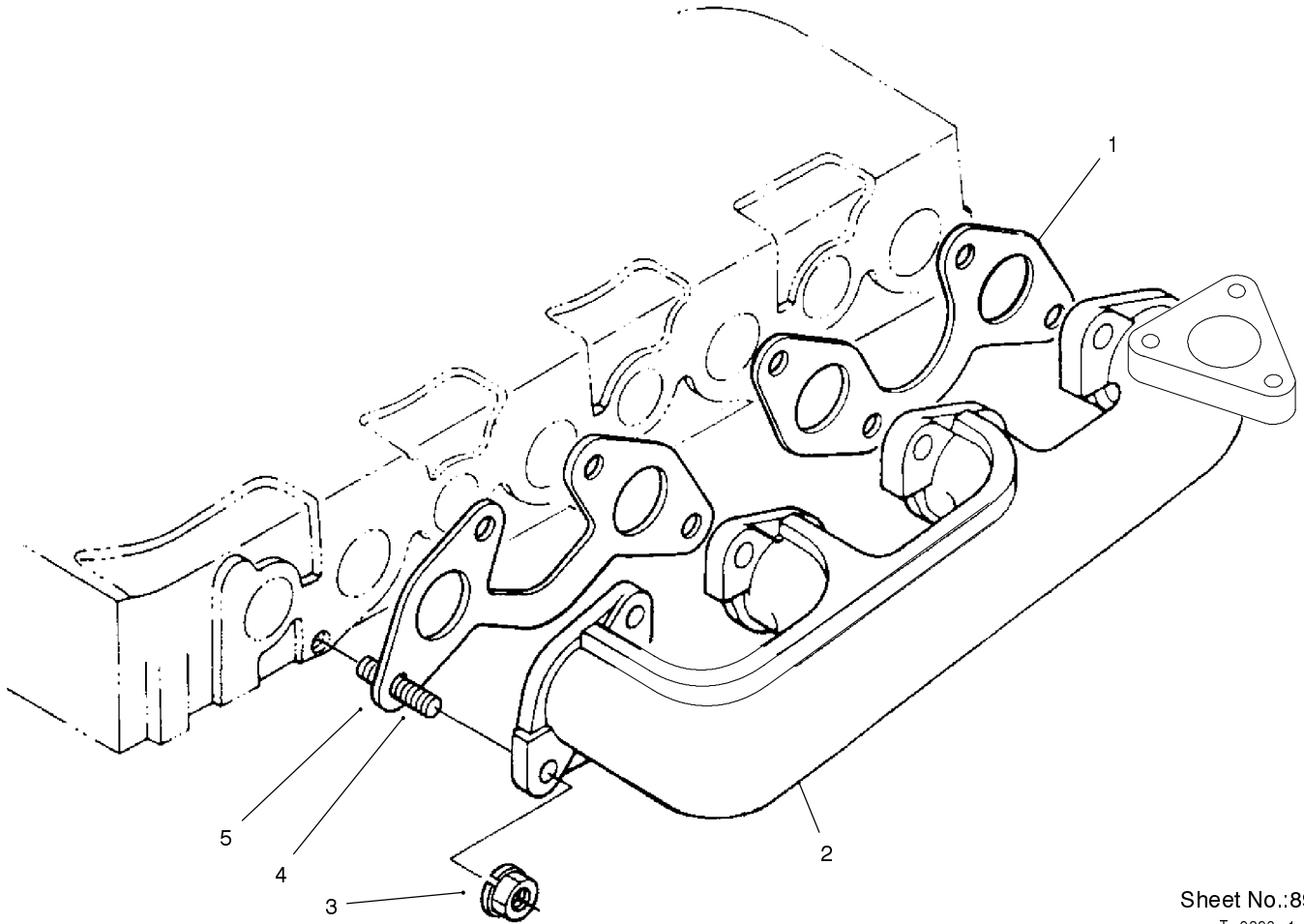


Sheet No.:88  
T-2862-1

### Inlet Manifold Assembly

Ref. No.	Part No.	Qty.	Description
1	98-7812	1	Manifold, Inlet
2	98-7813	1	Gasket, In-Manifold
3	98-7610	3	Bolt

Ref. No.	Part No.	Qty.	Description



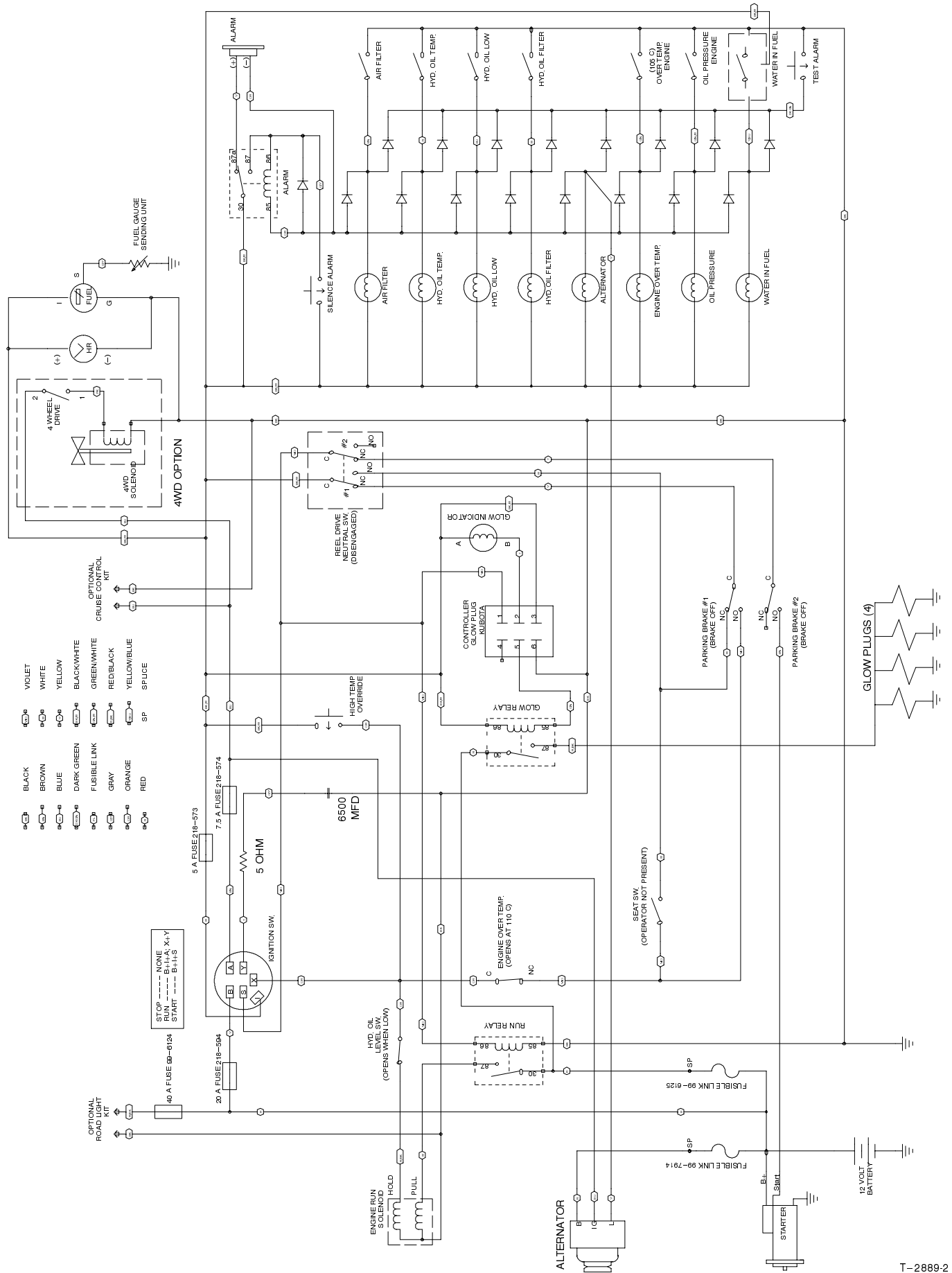
Sheet No.:89  
T-2893-1

### Exhaust Manifold Assembly

Ref. No.	Part No.	Qty.	Description
1	98-7802	1	Gasket
2	98-7815	1	Manifold,Exhaust
3	100-1559	8	Nut - Exhaust Manifold
4	100-1558	8	Stud - Exhaust Manifold
5	98-7803	1	Gasket

Ref. No.	Part No.	Qty.	Description

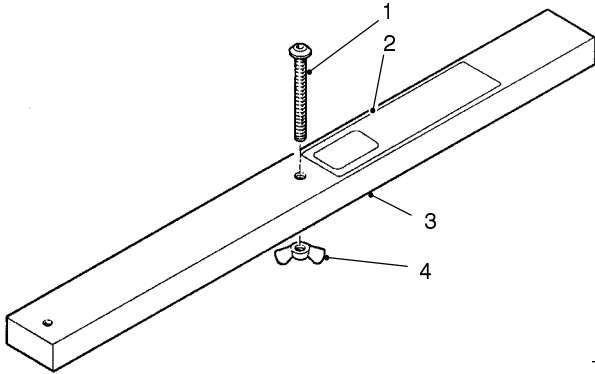
# Electrical Schematic



T-2889-2

# SPECIAL TOOLS

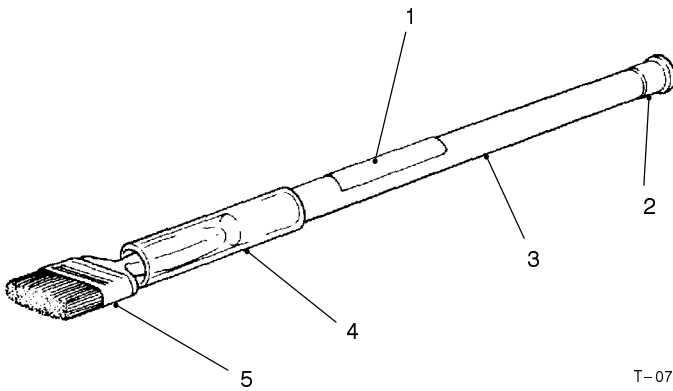
## GAUGE BAR ASSEMBLY NO. 59-7900



T-0191

Ref. No.	Part No.	Description	No. Used
1	32122-54	Screw-Mach. Slot. Hd.	1
2	59-7930	Decal	1
3		Bar	1
4	32103-3	Nut-Wing	1

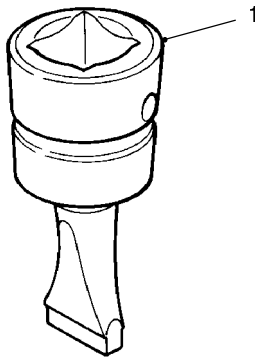
## BACKLAPPING BRUSH ASSEMBLY NO. \*TOR299100



T-0731

Ref. No.	Part No.	Description	No. Used
1	12-9140	Decal	1
2	2410-18	Plug	1
3	29-9080	Handle	1
4	29-9090	Hose-Handle	1
5	36-4310	Brush	1

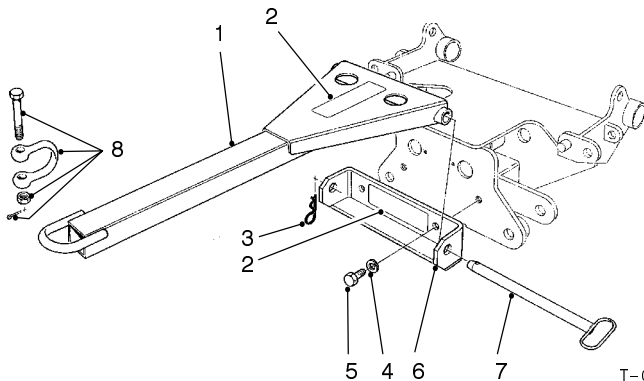
## BEDKNIFE SCREW TOOL NO. \*TOR510880



T-0729

Ref. No.	Part No.	Description	No. Used
1	51-0880	Tool-Bedknife Screw	1

## TOW BAR ASSEMBLY NO. 58-7020



T-0190

Ref. No.	Part No.	Description	No. Used
1	12-7579	Tow Bar (Incl. Ref. #2)	1
2	63-4380	Decal-Instruction	2
3	60-4150	Pin-Retaining	1
4	48-8070	Washer-Lock	2
5	48-7830	Screw-HH	2
6	12-7589	Asm-Tow Bar Bracket (Incl. Ref. #2)	1
7	60-4120	Pin-Tow Bar	1
8	60-4480	Asm-Shackle	1

\*Obtain these items directly from OTC 2013 4th St. Owatonna, MN. 55060 1-800-533-0492 (in Minnesota and Canada 1-507-455-7050) Fax. 507-455-7011.

**Maintenance Record**

Date								

# Maintenance Record

Date								

# Maintenance Record

Date								

