



Count on it.

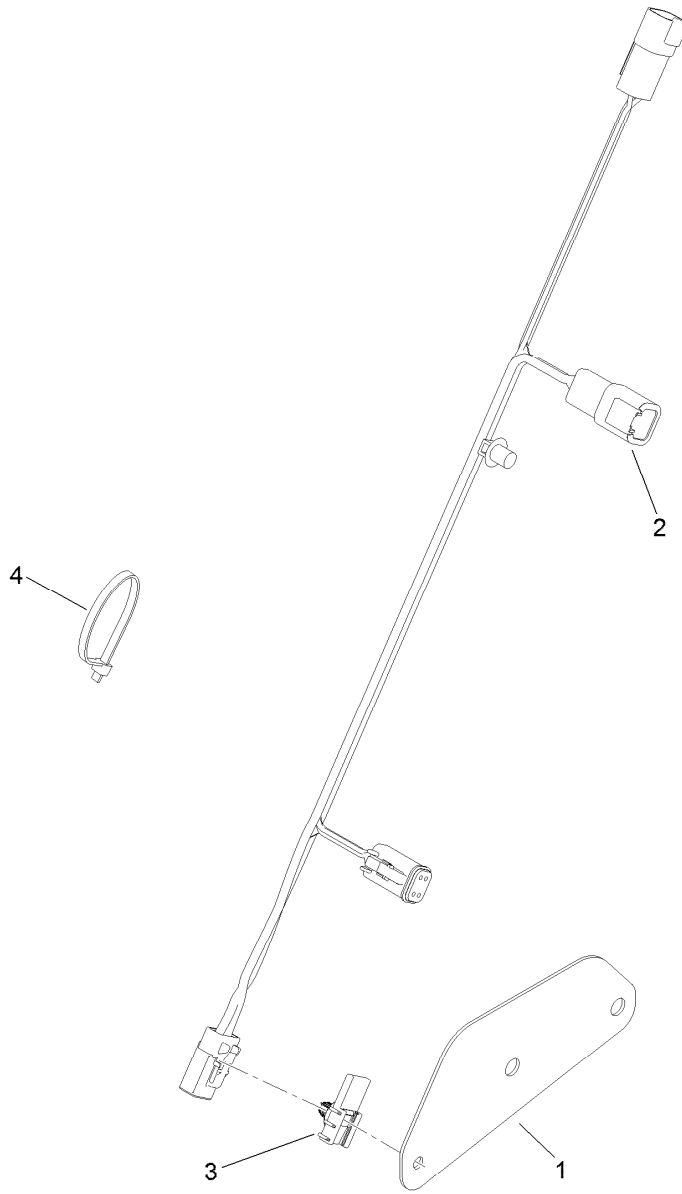
Parts Catalog

Jumper Kit

**Greensmaster® 3360 or 3370 eTriFlex
Traction Unit with 3WD**

Model No. 139-8599





Jumper Kit Assembly No. 139-8599

<i>Ref.</i>	<i>Part Number</i>	<i>Qty.</i>	<i>Description</i>
1	139-8592	1	Brkt-Harness, 3Wd
2	122-2235	1	Harness-Wire, 3Wd Extension
3	139-8601	1	Clip-Connector, Modified
4	3290-378	1	Tie-Cable