



Deck Footlift Assist Kit

TimeCutter® Riding Mower

Model No. 140-2059

Installation Instructions

Installation

Loose Parts

Use the chart below to verify that all parts have been shipped.

Procedure	Description	Qty.	Use
1	No parts required	–	Prepare the machine.
2	No parts required	–	Remove the MyRide guard.
3	No parts required	–	Remove the lift lever.
4	Lift pedal Foot peg Foot-lift plate Carriage bolt (5/16 x 1-1/4 inches) Locknut (5/16 inch) Thrust washer Spacer (3/8 inch) Spacer (5/16 inch) Link Carriage bolt (3/8 x 1 inch) Locknut (5/16 inch) Shoulder bolt (3/8 x 7/8 inch) Locknut (3/8 inch) Hex-head bolt (3/8 x 1 inch) Washer Nylon washer Anti-seize packet	1 1 1 2 2 2 1 2 1 1 2 2 3 1 1 1 1	Install the foot pedal.
5	No parts required	–	Complete the setup.



1

Preparing the Machine

No Parts Required

Procedure

1. Park the machine on a level surface.
2. Disengage the blade-control switch (PTO), move the motion-control levers to the NEUTRAL-LOCK position, and engage the parking brake.
3. Shut off the engine, remove the key, and wait for all moving parts to stop before leaving the operating position.
4. Lower the mower deck to the lowest cutting height.

2

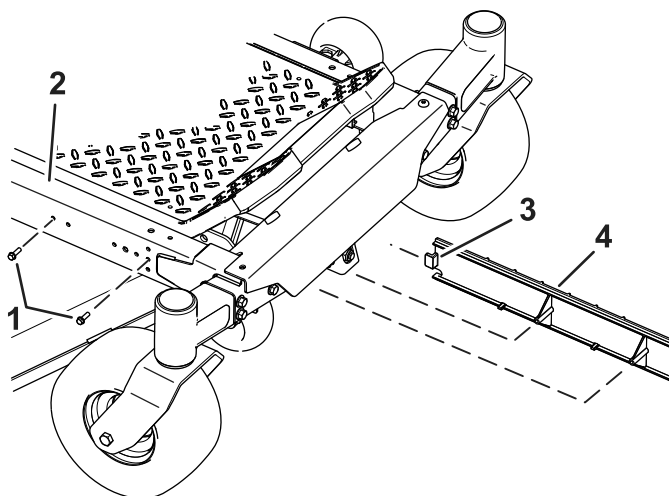
Removing the MyRide Guard

No Parts Required

Procedure

Note: This procedure is only for machines with the MyRide option.

1. Remove the bolts from the frame (Figure 1).
2. Slide the guard tab out of the frame by moving the guard forward (Figure 1).



g308639

Figure 1

- | | |
|----------|--------------|
| 1. Bolt | 3. Guard tab |
| 2. Frame | 4. Guard |

3

Removing the Lift Lever

No Parts Required

Procedure

Remove the hex-head bolt (5/16 x 1 inch) and flange nut (5/16 inch) securing the lift lever ([Figure 2](#)).

Retain the lift lever for later installation. You can discard the hex-head bolt (5/16 x 1 inch) and flange nut (5/16 inch).

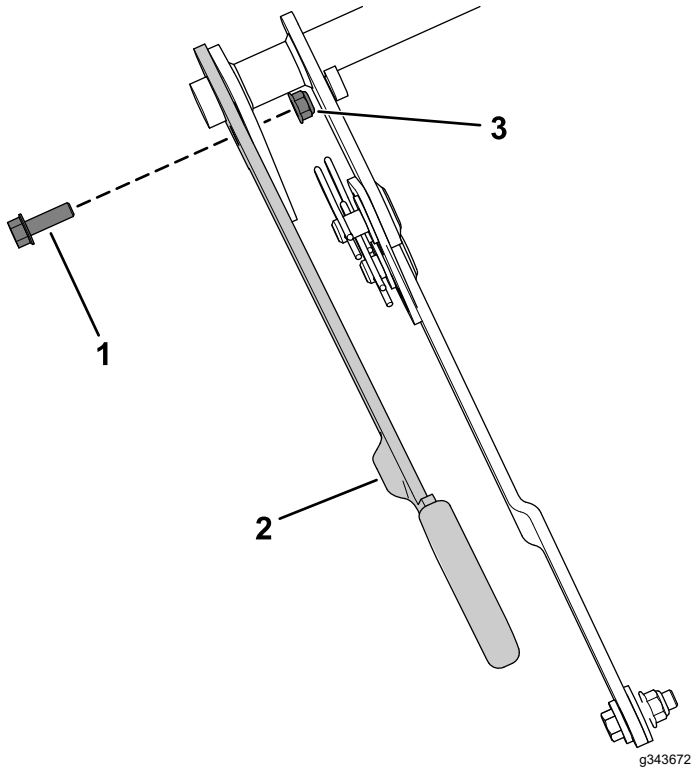


Figure 2

1. Hex-head bolt (5/16 x 1 inch)
2. Lift lever
3. Flange nut (5/16 inch)

4

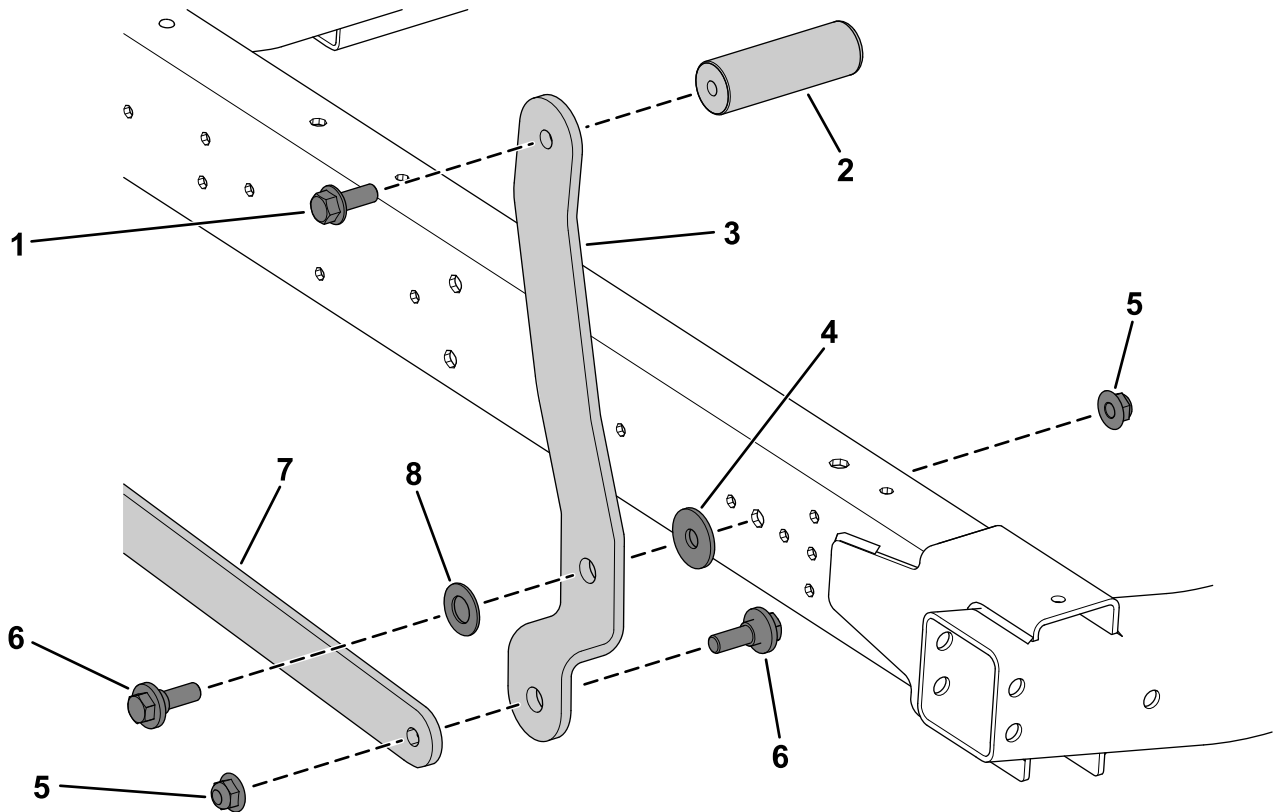
Installing the Foot Pedal

Parts needed for this procedure:

1	Lift pedal
1	Foot peg
1	Foot-lift plate
2	Carriage bolt (5/16 x 1-1/4 inches)
2	Locknut (5/16 inch)
2	Thrust washer
1	Spacer (3/8 inch)
2	Spacer (5/16 inch)
1	Link
1	Carriage bolt (3/8 x 1 inch)
2	Locknut (5/16 inch)
2	Shoulder bolt (3/8 x 7/8 inch)
3	Locknut (3/8 inch)
1	Hex-head bolt (3/8 x 1 inch)
1	Washer
1	Nylon washer
1	Anti-seize packet

Procedure

1. Secure the foot peg to the lift pedal using 1 hex-head bolt (3/8 x 1 inch) as shown in [Figure 3](#).
2. Secure the lift pedal to the link using 1 shoulder bolt (3/8 x 7/8 inch) and 1 locknut (3/8 inch) as shown in [Figure 3](#).
3. Secure the lift pedal to the side of the frame using 1 shoulder bolt (3/8 x 7/8 inch), 1 nylon washer, 1 washer, and 1 locknut (3/8 inch) as shown in [Figure 3](#).



g343722

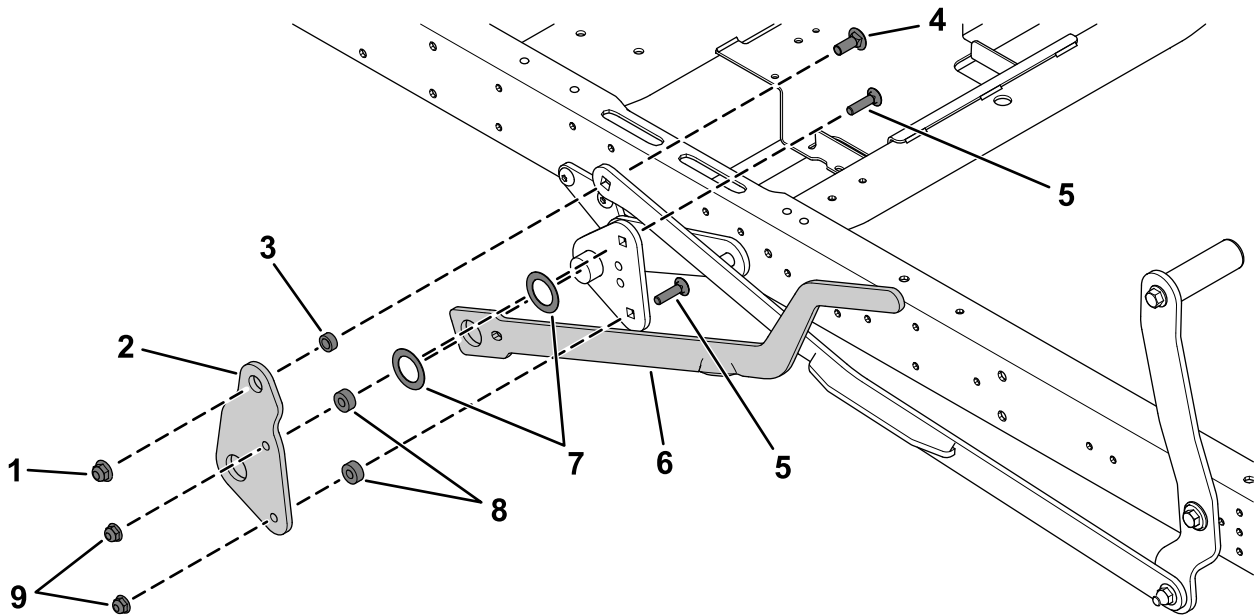
Figure 3

- | | |
|---------------------------------|-----------------------------------|
| 1. Hex-head bolt (3/8 x 1 inch) | 5. Locknut (3/8 inch) |
| 2. Foot peg | 6. Shoulder bolt (3/8 x 7/8 inch) |
| 3. Lift pedal | 7. Link |
| 4. Washer | 8. Nylon washer |

4. Apply anti-seize to both sides of the 2 thrust washers.
5. Install the thrust washers on each side of the lift lever (Figure 4).

Note: Install all the carriage bolts with the bolt heads on the inside of the machine.

6. Secure the foot-lift plate to the link using 1 carriage bolt (3/8 x 1 inch), 2 carriage bolts (5/16 x 1-1/4 inches), 1 spacer (3/8 inch), 2 spacers (5/16 inch), 1 locknut (3/8 inch), and 2 locknuts (5/16 inch) as shown in Figure 4.



g343743

Figure 4

- | | |
|-----------------------------------------|-------------------------|
| 1. Locknut (3/8 inch) | 6. Lift lever |
| 2. Foot-lift plate | 7. Thrust washers |
| 3. Spacer (3/8 inch) | 8. Spacers (5/16 inch) |
| 4. Carriage bolt (3/8 x 1 inch) | 9. Locknuts (5/16 inch) |
| 5. Carriage bolts (5/16 x 1-1/4 inches) | |

5

Completing the Setup

No Parts Required

Procedure

1. For machines **with** the MyRide Suspension System, slide the guard tab into the frame ([Figure 1](#)).
2. For machines **with** the MyRide Suspension System, install the bolts into the frame and guard ([Figure 1](#)).
3. Use the height-of-cut lever and foot pedal to raise and lower the mower deck, check to see if there is any binding. If so, check the installation.
4. Adjust as necessary.



Count on it.