



**Count on it.**

**Parts Catalog**

**60in Completion Kit  
Z Master® 4000 Series Riding Mower**

Model No. 78466—Serial No. 40000000 and Up



# Ordering Replacement Parts

To order replacement parts, please supply the part number, the quantity, and the description of each part desired.

## Understanding Reference Numbers

Each identified part in an illustration has a reference number. The reference number for a part also appears in the parts list, along with other information about the part.

This catalog uses two special reference number formats, one to indicate parts in a service assembly and another to indicate the quantity of a given part in an illustration.

## Service Assembly Reference Numbers

Parts in service assemblies have reference numbers in the form a:b. The a represents the reference number of the entire service assembly and the b represents a sequential number unique to each part within the service assembly.

For example, a wheel assembly might be identified by reference number 6, the tire by 6:1, the valve by 6:2, and the wheel by 6:3. When you order the assembly identified by reference number 6, you receive all parts identified by reference numbers 6:1, 6:2, and 6:3. However, you may also order any part individually. Reference numbers of this type appear in illustration and in parts lists.

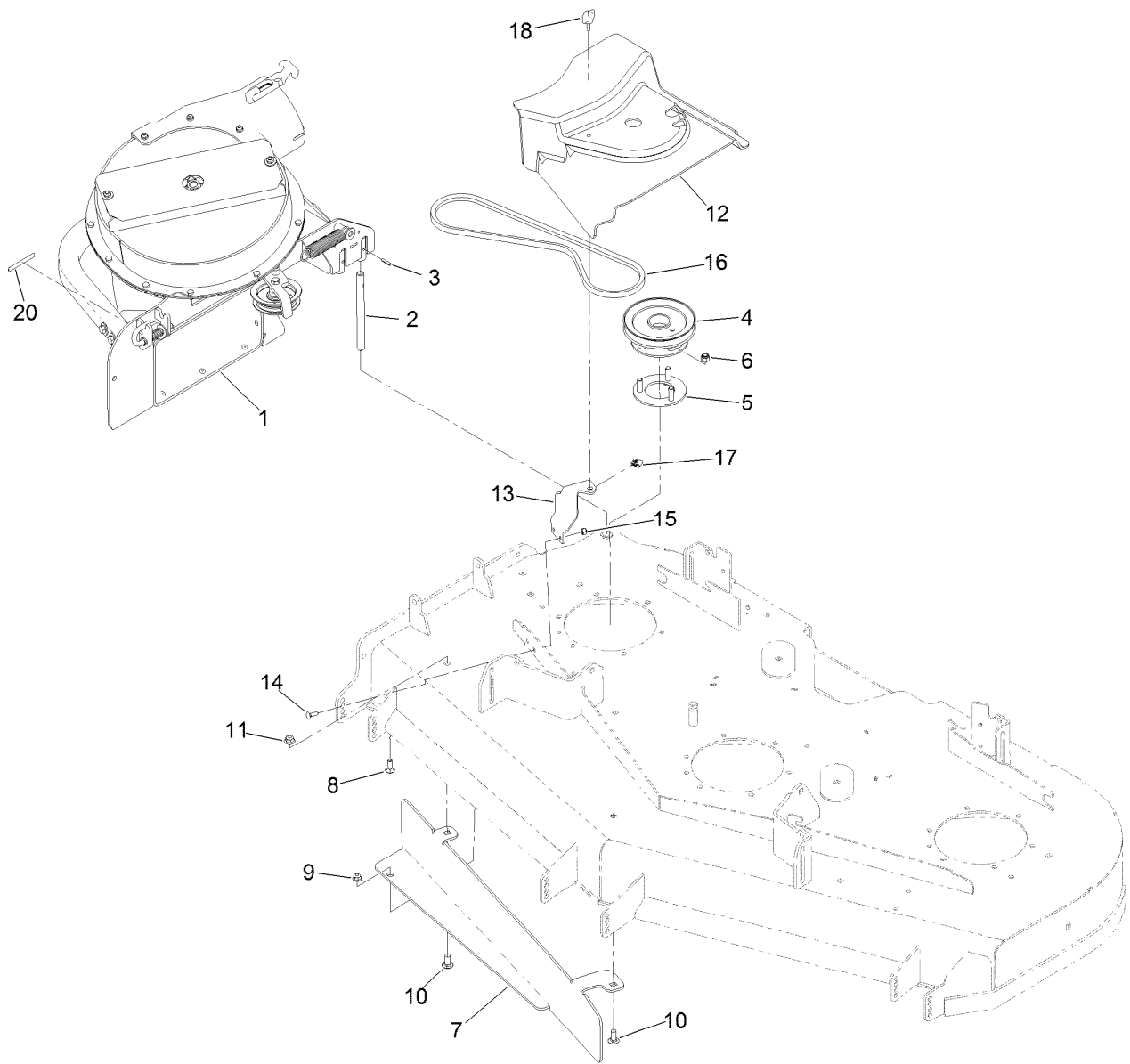
## Reference Numbers Indicating Quantity

In an illustration, if a reference number indicates more than one part, the reference number has the form nX y. The n represents the quantity of the part, the X is the multiplication symbol, and the y represents the reference number.

For example, in an illustration, the reference number 2X 37 means that two of the parts identified by reference number 37 are indicated.

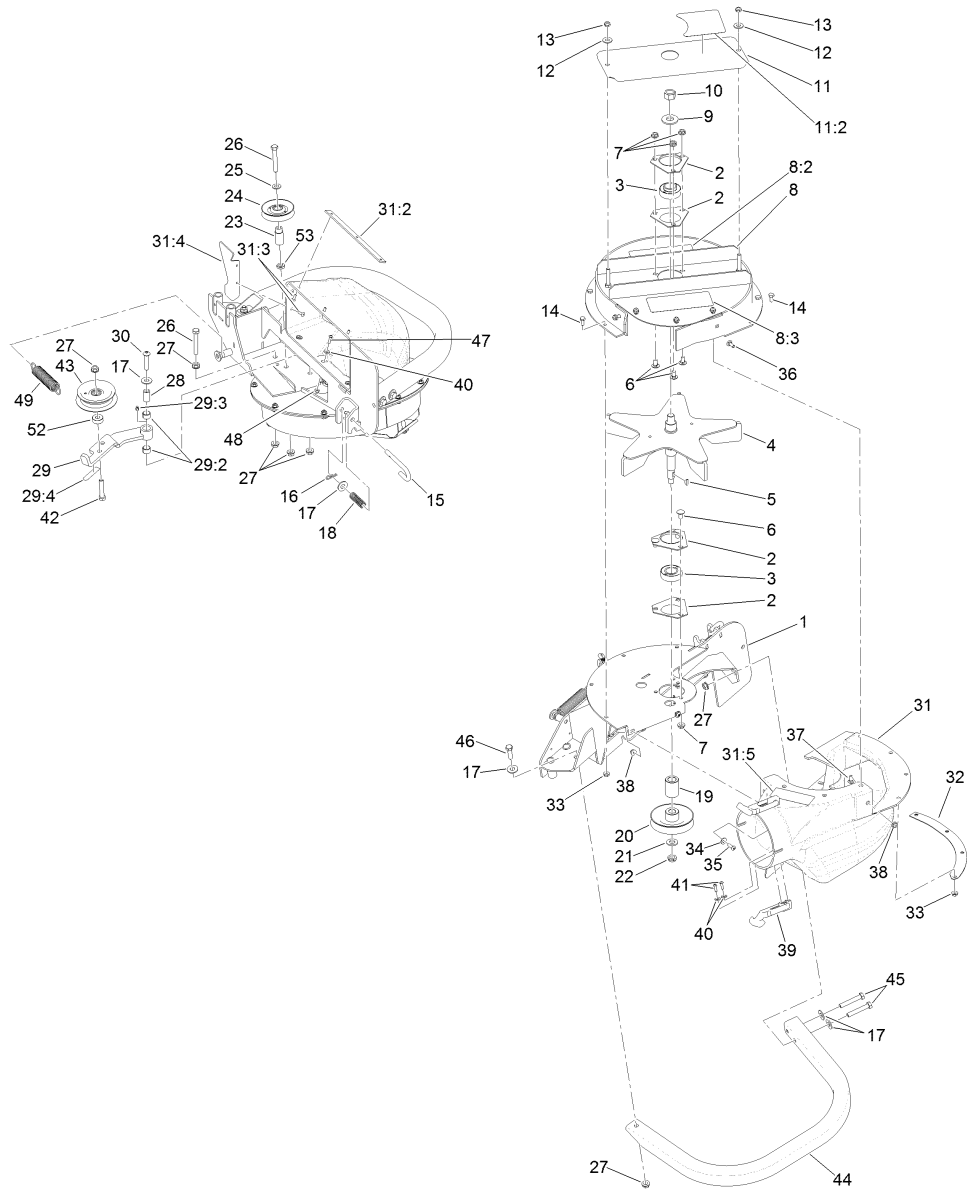
# Contents

Blower and Drive Assembly ..... 4  
Blower Assembly No. 126-7697 ..... 5



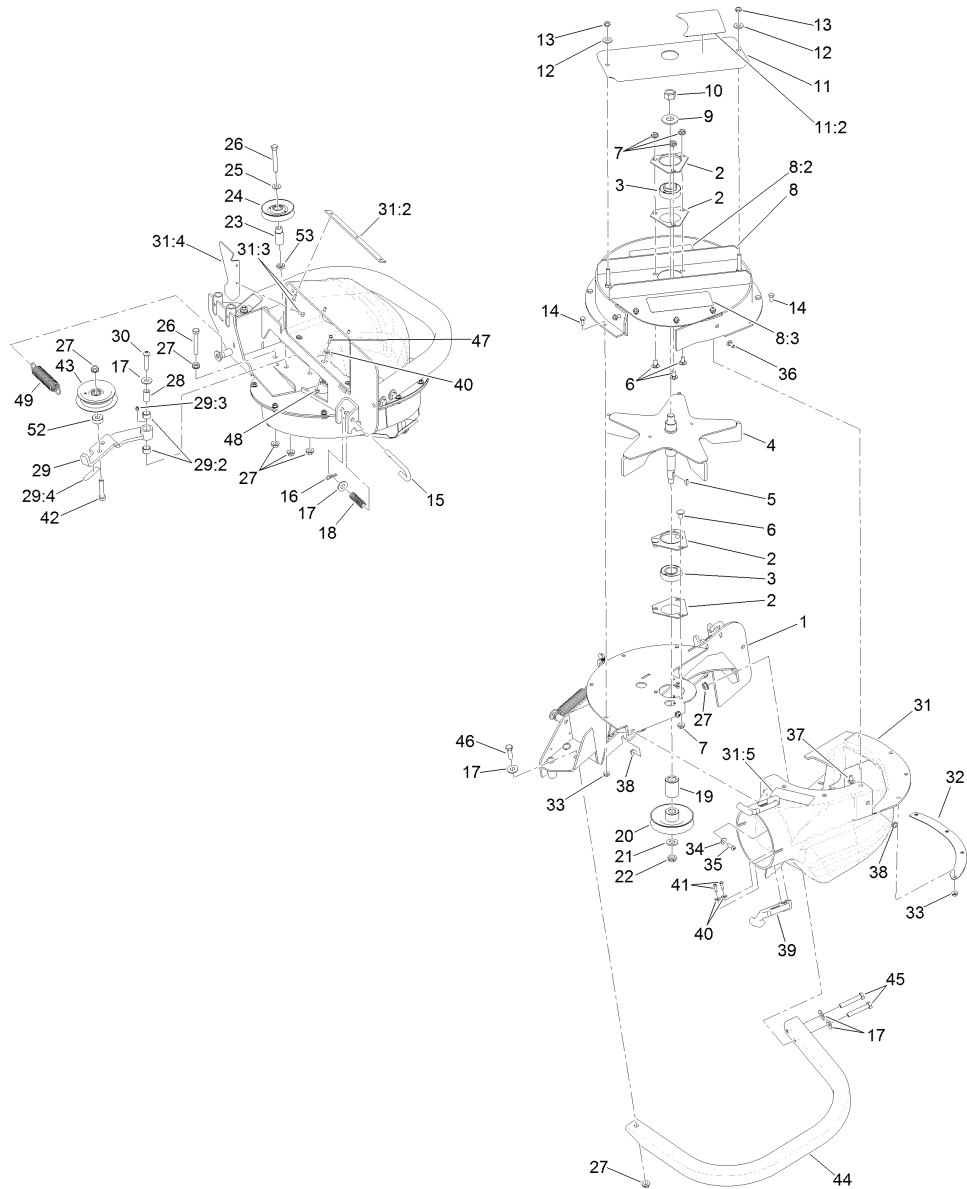
## Blower and Drive Assembly

<i>Ref.</i>	<i>Part Number</i>	<i>Qty.</i>	<i>Description</i>	<i>Ref.</i>	<i>Part Number</i>	<i>Qty.</i>	<i>Description</i>
1	126-7697	1	Blower ASM	11	104-8301	2	Nut-HF, NI
2	1-353050	1	Shaft-Catcher, Grass	12	144-6578	1	Cover-Belt
3	1-806323	1	Pin-Roll	13	117-0342-01	1	Bracket-Cover, Belt
4	135-0894	1	Sheave-HD60 Blower Drive	14	3229-1	2	Screw-CARR
5	140-4906	1	Pulley Mount ASM	15	3296-42	2	Nut-Lock, NI
6	3296-39	3	Nut-Lock, NI	16	135-0708	1	Belt-V, Hitemp
7	135-0154-01	1	Baffle-Bagger	17	609900	1	Nut-Speed
8	3230-16	1	Screw-CARR	18	98-8332	1	Knob
9	104-8300	1	Nut-HF, NI	20	133-8061	1	Decal-Warning
10	3231-27	2	Screw-CARR				



## Blower Assembly No. 126-7697

Ref.	Part Number	Qty.	Description	Ref.	Part Number	Qty.	Description
1	126-7613-03	1	Mount-Blower	19	1-653365	1	Spacer
2	1-513013	4	Housing-Flange	20	112-2345	1	Pulley
3	1-653346	2	Bearing	21	3256-26	1	Washer-Flat
4	103-3815	1	Impeller	22	3296-28	1	Nut-Lock, NI
5	3257-32	1	Key-Woodruff	23	1-653366	1	Hub
6	3230-18	6	Screw-CARR	24	1-653322	1	Idler-Inside
7	32128-20	6	Nut-HF	25	3256-24	1	Washer-Flat
8	126-9450	1	Upper-Housing W/Decals	26	323-12	2	Screw-HH
8:2	126-9451	1	Decal-Warning	27	3290-357	8	Nut-HHF, Whiz
8:3	144-2629	1	Decal - E-Z Vac	28	103-0130	1	Bushing-Pivot, Idler
9	1-513208	1	Washer-Spring	29	117-0345	1	Idler Arm ASM W/Bushings
10	3219-6	1	Nut-Hex	29:2	1-653600	2	Bushing
11	126-9785	1	Cover-Bearing W/Decal	29:3	302-19	1	Fitting-Grease
11:2	126-9595	1	Decal-Warning	29:4	126-4659	1	Decal-Warning
12	3256-3	2	Washer-Flat	30	3274-107	1	Screw-HSBH
13	3296-47	2	Nut-Lock, NI	31	116-6487	1	Blower Chute ASM
14	321-3	8	Screw-HH	31:2	103-4752-03	1	Plate-Reinforcing
15	116-4356	1	Pin-Latch	31:3	114439	5	Rivet-Blind
16	3290-307	1	Pin-Cotter	31:4	116-6486-03	1	Plate-Filler
17	3256-4	5	Washer-Flat	31:5	126-4853	1	Decal-Warning
18	121-3249	1	Spring-Compression	32	1-653596-03	1	Plate-Backing, Blower



## Blower Assembly No. 126-7697 (continued)

<i>Ref.</i>	<i>Part Number</i>	<i>Qty.</i>	<i>Description</i>
33	32128-33	8	Nut-HF
34	3256-22	2	Washer-Flat
35	3274-69	2	Screw-HSBH
36	3229-1	2	Screw-CARR
37	3229-11	3	Screw-CARR
38	104-7201	7	Nut-HF
39	103-4080	2	Latch-Rubber
40	3256-16	7	Washer-Flat
41	3274-39	4	Screw-HSBH
42	323-10	1	Screw-HH

<i>Ref.</i>	<i>Part Number</i>	<i>Qty.</i>	<i>Description</i>
43	103-1103	1	Idler-Flat
44	109-1122-01	1	Bumper
45	323-11	2	Screw-HH
46	323-7	1	Screw-HH
47	104-2408	3	Screw-HSBH
48	3296-2	3	Nut-Lock, NI
49	1-603693	1	Spring-Extension
52	135-0456	1	Spacer
53	135-0457	1	Spacer

**Notes:**



**Count on it.**