



Count on it.

Parts Catalog

**52in Completion Kit
Z Master[®] 4000 Series Riding Mower**

Model No. 78465—Serial No. 400000000 and Up



Ordering Replacement Parts

To order replacement parts, please supply the part number, the quantity, and the description of each part desired.

Understanding Reference Numbers

Each identified part in an illustration has a reference number. The reference number for a part also appears in the parts list, along with other information about the part.

This catalog uses two special reference number formats, one to indicate parts in a service assembly and another to indicate the quantity of a given part in an illustration.

Service Assembly Reference Numbers

Parts in service assemblies have reference numbers in the form a:b. The a represents the reference number of the entire service assembly and the b represents a sequential number unique to each part within the service assembly.

For example, a wheel assembly might be identified by reference number 6, the tire by 6:1, the valve by 6:2, and the wheel by 6:3. When you order the assembly identified by reference number 6, you receive all parts identified by reference numbers 6:1, 6:2, and 6:3. However, you may also order any part individually. Reference numbers of this type appear in illustration and in parts lists.

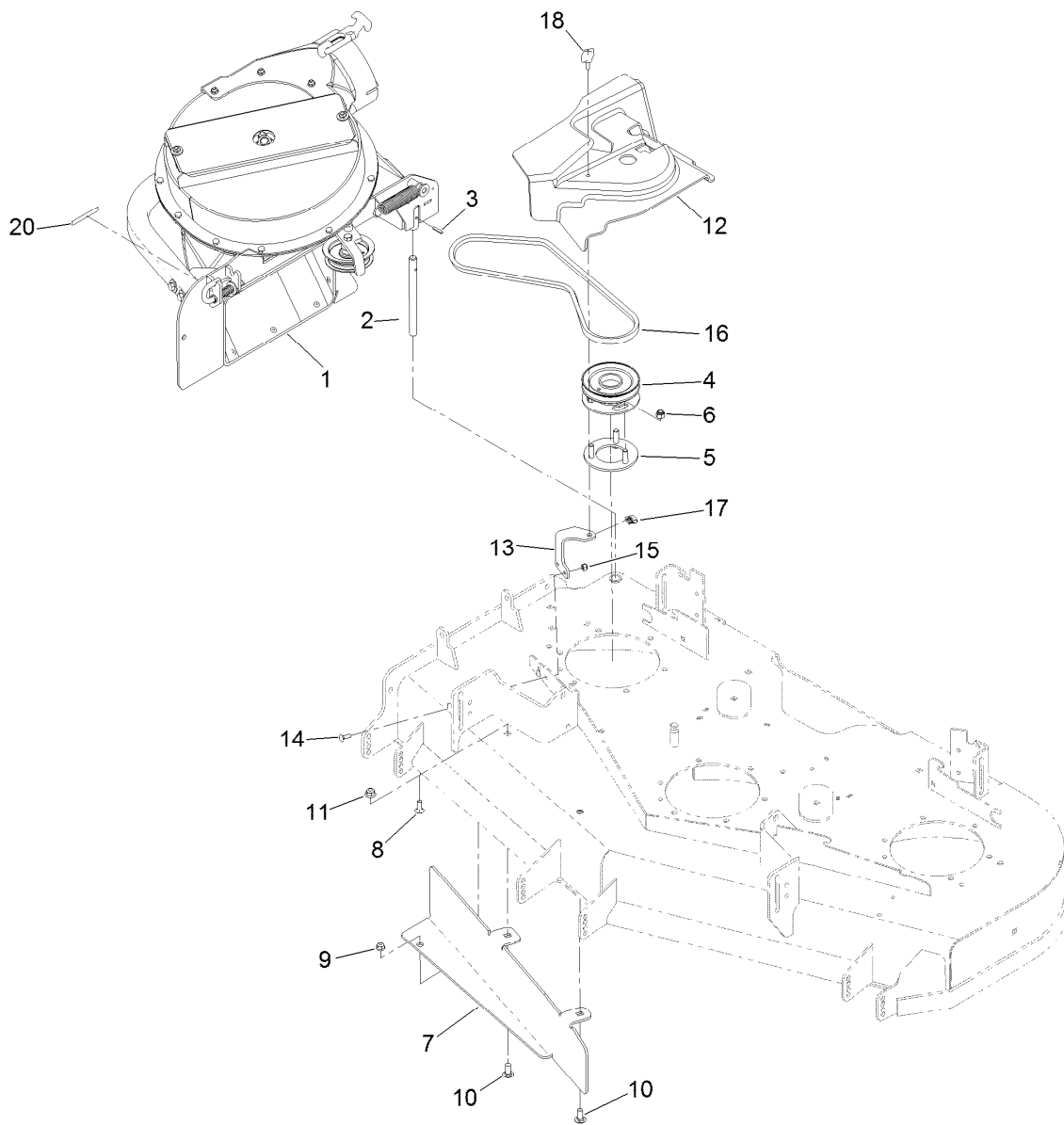
Reference Numbers Indicating Quantity

In an illustration, if a reference number indicates more than one part, the reference number has the form nX y. The n represents the quantity of the part, the X is the multiplication symbol, and the y represents the reference number.

For example, in an illustration, the reference number 2X 37 means that two of the parts identified by reference number 37 are indicated.

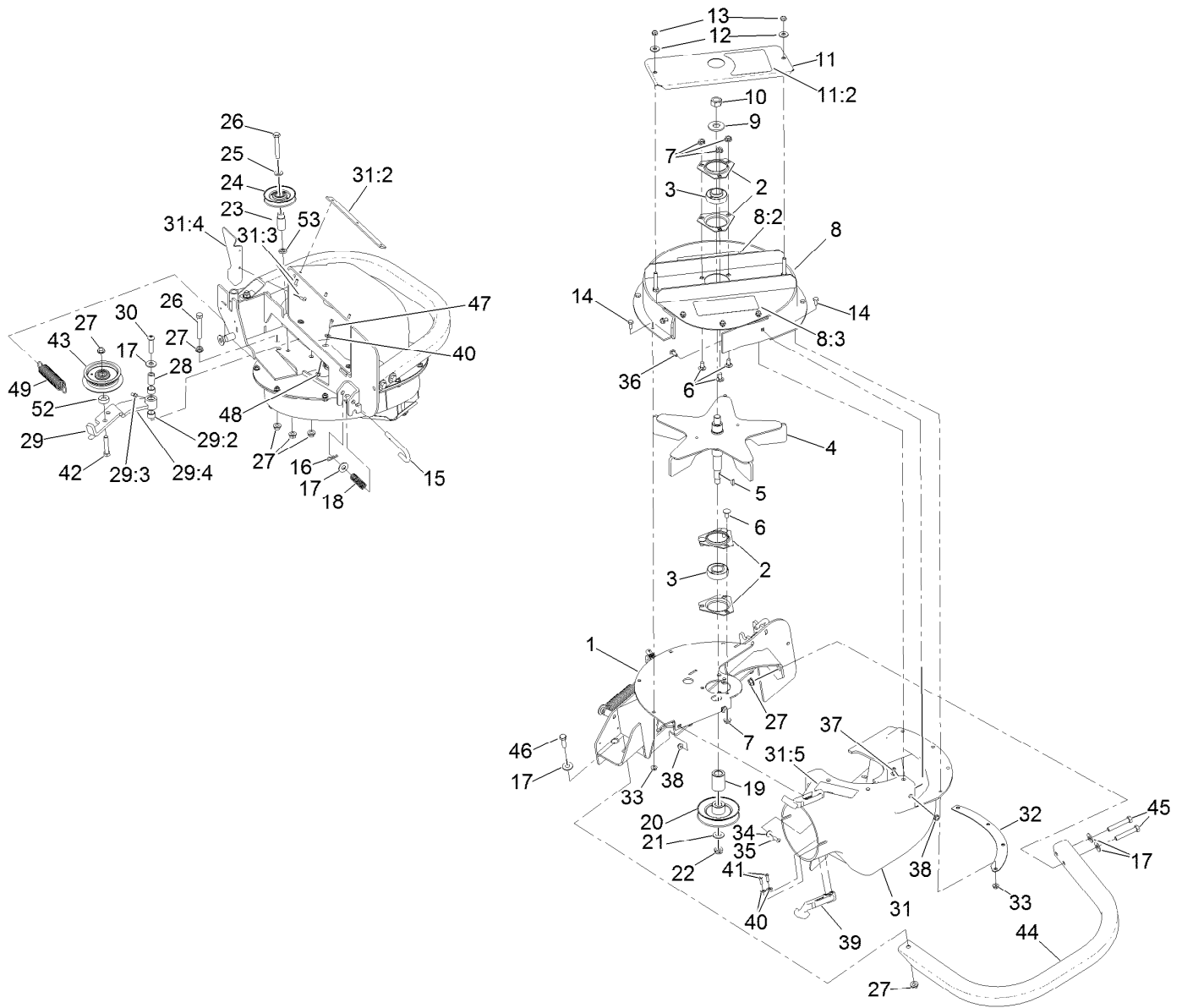
Contents

Blower and Drive Assembly	4
Blower Assembly No. 144-2689	5



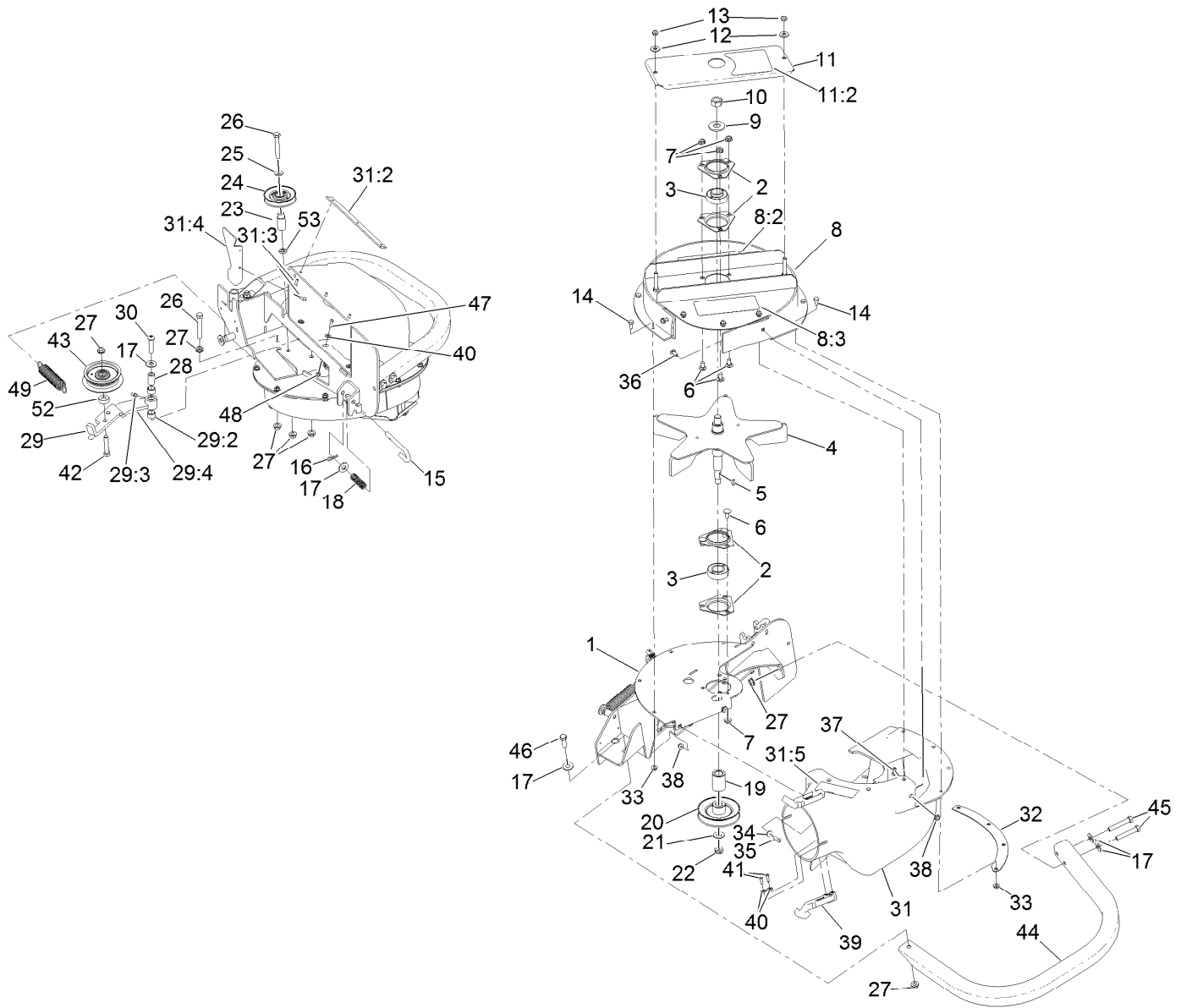
Blower and Drive Assembly

<i>Ref.</i>	<i>Part Number</i>	<i>Qty.</i>	<i>Description</i>	<i>Ref.</i>	<i>Part Number</i>	<i>Qty.</i>	<i>Description</i>
1	144-2689	1	ASM-Blowers & Drive	11	104-8301	2	Nut-HF, NI
2	1-353050	1	Shaft-Catcher, Grass	12	144-6577	1	Cover-Belt
3	1-806323	1	Pin-Roll	13	115-3637-01	1	Bracket-Cover, Belt
4	112-8669-03	1	Pulley-Blower	14	3229-1	2	Screw-CARR
5	140-4906	1	Pulley Mount ASM	15	3296-42	2	Nut-Lock, NI
6	3296-39	3	Nut-Lock, NI	16	112-2343	1	Belt-V
7	135-0153-01	1	Baffle-Bagger	17	609900	1	Nut-Speed
8	3230-16	1	Screw-CARR	18	98-8332	1	Knob
9	104-8300	1	Nut-HF, NI	20	133-8061	1	Decal-Warning
10	3231-27	2	Screw-CARR				



Blower Assembly No. 144-2689

Ref.	Part Number	Qty.	Description	Ref.	Part Number	Qty.	Description
1	144-2690-03	1	Mount-Blower [black]	19	1-653365	1	Spacer
2	1-513013	4	Housing-Flange	20	112-2345	1	Pulley
3	1-653346	2	Bearing	21	3256-26	1	Washer-Flat
4	103-3815	1	Impeller	22	3296-28	1	Nut-Lock, NI
5	3257-32	1	Key-Woodruff	23	1-653366	1	Hub
6	3230-18	6	Screw-CARR	24	1-653322	1	Idler-Inside
7	32128-20	6	Nut-HF	25	3256-24	1	Washer-Flat
8	126-9450	1	Upper-Housing W/Decals	26	323-12	2	Screw-HH
8:2	126-9451	1	Decal-Warning	27	3290-357	8	Nut-HHF, Whiz
8:3	144-2629	1	Decal - E-Z Vac	28	103-0130	1	Bushing-Pivot, Idler
9	1-513208	1	Washer-Spring	29	117-0345	1	Idler Arm ASM W/Bushings
10	3219-6	1	Nut-Hex	29:2	1-653600	2	Bushing
11	126-9785	1	Cover-Bearing W/Decal	29:3	302-19	1	Fitting-Grease
11:2	126-9595	1	Decal-Warning	29:4	126-4659	1	Decal-Warning
12	3256-3	2	Washer-Flat	30	3274-107	1	Screw-HSBH
13	3296-47	2	Nut-Lock, NI	31	116-6487	1	Blower Chute ASM
14	321-3	8	Screw-HH	31:2	103-4752-03	1	Plate-Reinforcing
15	116-4356	1	Pin-Latch	31:3	114439	5	Rivet-Blind
16	3290-307	1	Pin-Cotter	31:4	116-6486-03	1	Plate-Filler
17	3256-4	5	Washer-Flat	31:5	126-4853	1	Decal-Warning
18	121-3249	1	Spring-Compression	32	1-653596-03	1	Plate-Backing, Blower



Blower Assembly No. 144-2689 (continued)

Ref.	Part Number	Qty.	Description
33	32128-33	8	Nut-HF
34	3256-22	2	Washer-Flat
35	3274-69	2	Screw-HSBH
36	3229-1	2	Screw-CARR
37	3229-11	3	Screw-CARR
38	104-7201	7	Nut-HF
39	103-4080	2	Latch-Rubber
40	3256-16	7	Washer-Flat
41	3274-39	4	Screw-HSBH
42	323-10	1	Screw-HH

Ref.	Part Number	Qty.	Description
43	103-1103	1	Idler-Flat
44	109-1122-01	1	Bumper
45	323-11	2	Screw-HH
46	323-7	1	Screw-HH
47	104-2408	3	Screw-HSBH
48	3296-2	3	Nut-Lock, NI
49	1-603693	1	Spring-Extension
52	135-0456	1	Spacer
53	135-0457	1	Spacer

Notes:



Count on it.