



Count on it.

Parts Catalog

**Pro Sweep®
Turf Sweeper**

Model No. 07068—Serial No. 407100000 and Up



Ordering Replacement Parts

To order replacement parts, please supply the part number, the quantity, and the description of each part desired.

Understanding Reference Numbers

Each identified part in an illustration has a reference number. The reference number for a part also appears in the parts list, along with other information about the part.

This catalog uses two special reference number formats, one to indicate parts in a service assembly and another to indicate the quantity of a given part in an illustration.

Service Assembly Reference Numbers

Parts in service assemblies have reference numbers in the form a:b. The a represents the reference number of the entire service assembly and the b represents a sequential number unique to each part within the service assembly.

For example, a wheel assembly might be identified by reference number 6, the tire by 6:1, the valve by 6:2, and the wheel by 6:3. When you order the assembly identified by reference number 6, you receive all parts identified by reference numbers 6:1, 6:2, and 6:3. However, you may also order any part individually. Reference numbers of this type appear in illustration and in parts lists.

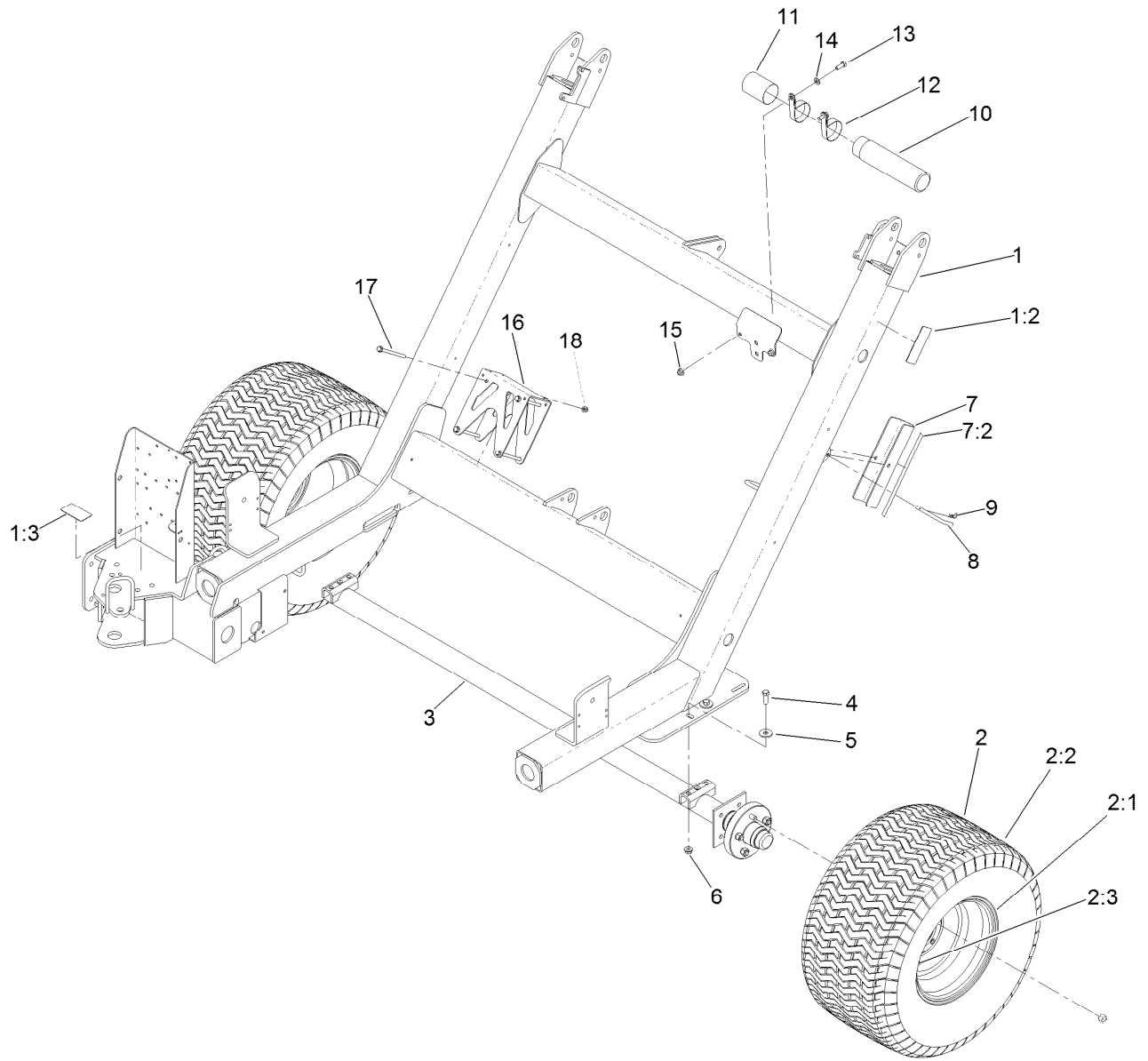
Reference Numbers Indicating Quantity

In an illustration, if a reference number indicates more than one part, the reference number has the form nX y. The n represents the quantity of the part, the X is the multiplication symbol, and the y represents the reference number.

For example, in an illustration, the reference number 2X 37 means that two of the parts identified by reference number 37 are indicated.

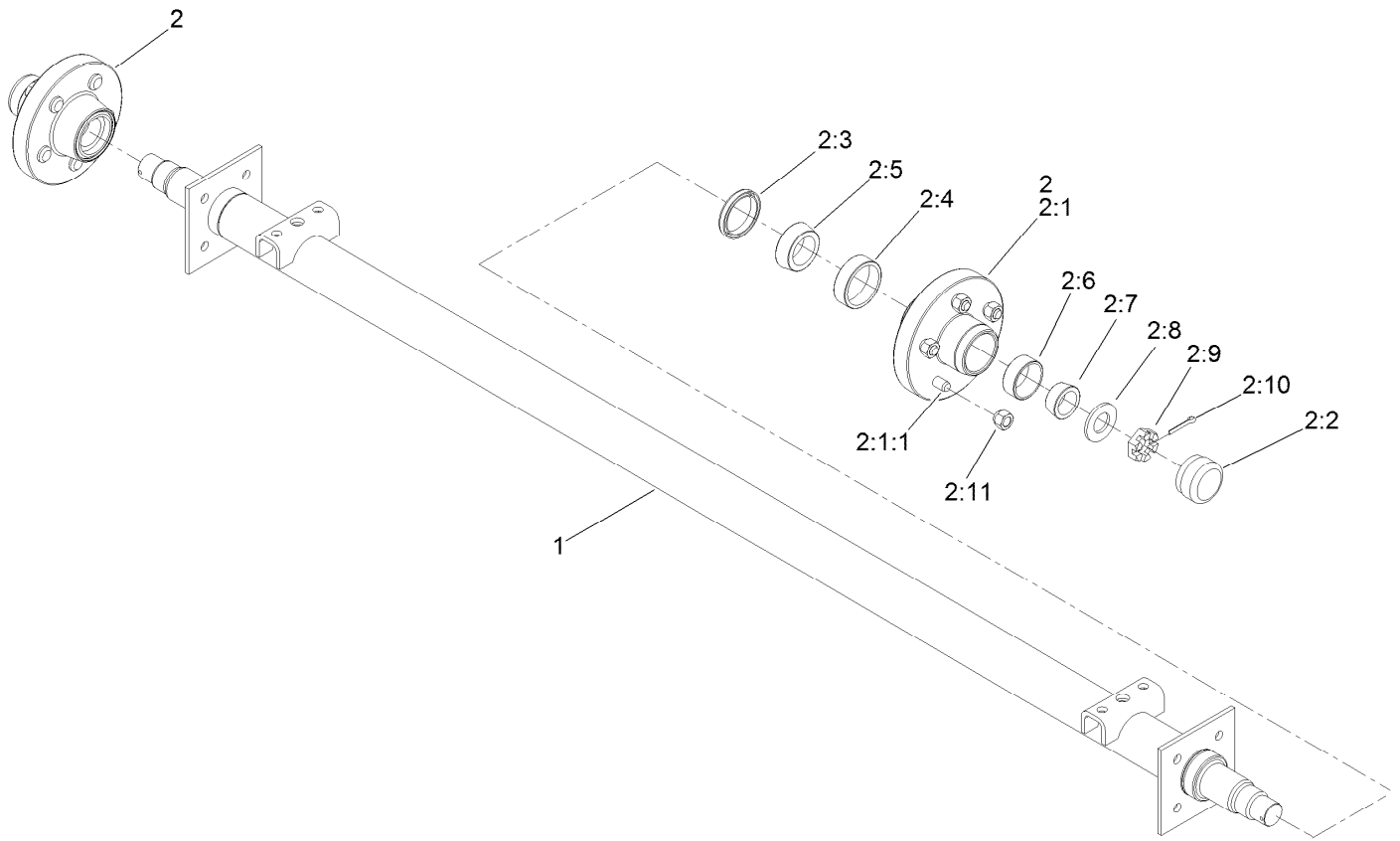
Contents

Main Frame and Axle Assembly	4
Trailer Axle Assembly No. 107-1529	5
Pitch Frame and Cylinder Assembly	6
Hydraulic Cylinder Assembly No. 138-5901	7
Saddle Frame Assembly	8
Brush Housing Assembly	9
Brush, Motor and Shield Assembly	10
Hydraulic Motor Assembly No. 105-9455	11
Brush Assembly No. 117-8310	12
Roller Assembly	13
Hopper and Baffle Assembly	14
Hopper Lid and Baffle Assembly	15
Hydraulic Manifold Valve and Hose Routing Assembly	16
Hydraulic Manifold Assembly No. 117-8366	17
Hydraulic Manifold Assembly No. 112-6752	18
Hydraulic Fitting Assembly	19
Cable Tie Assembly	20
Tongue Assembly	21
Hydraulic Cylinder Assembly No. 138-5902	22
Electrical Assembly	23
Proximity Sensor System Assembly	24
Windrow Assembly	25
Attachments and Accessories	26



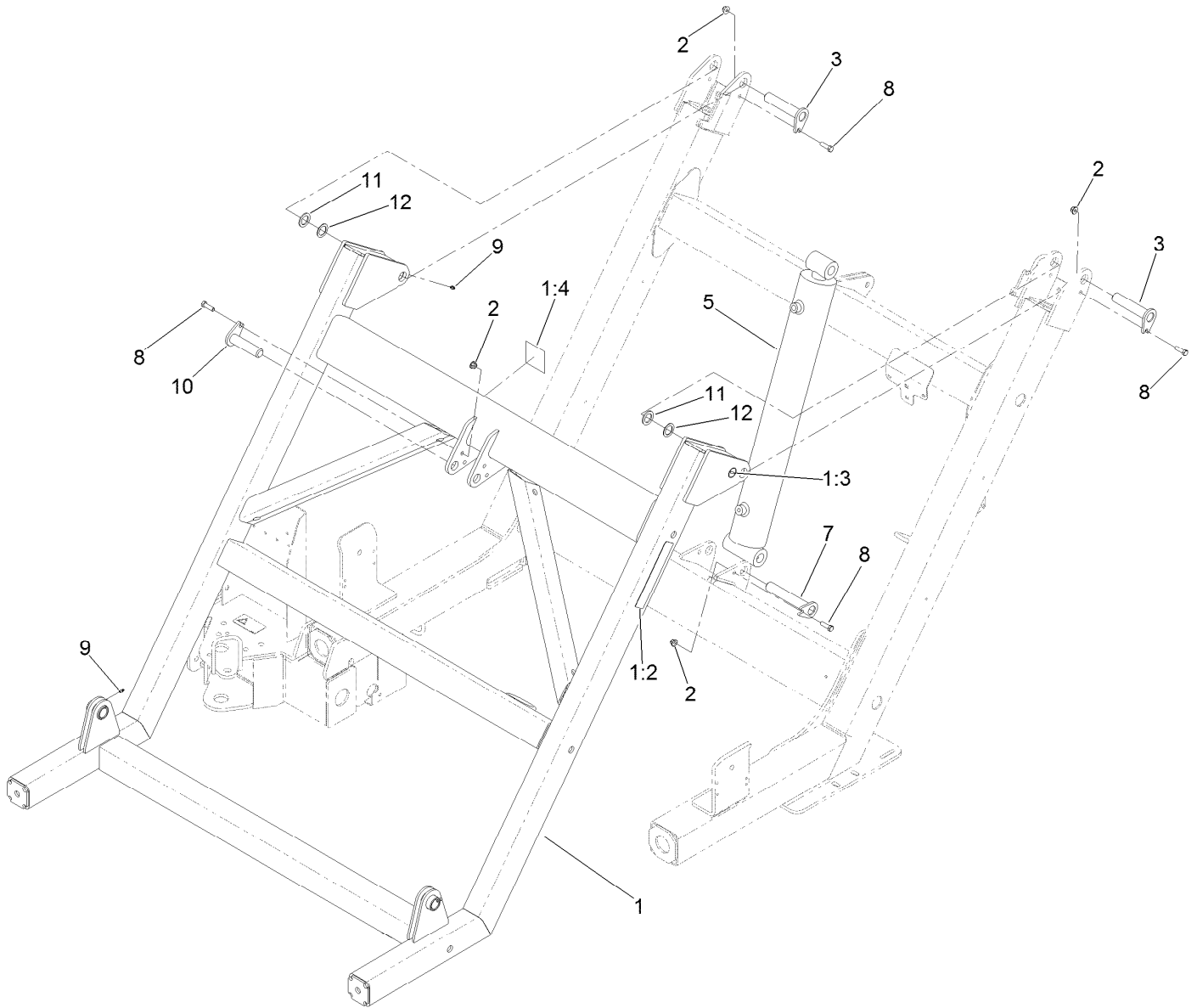
Main Frame and Axle Assembly

<i>Ref.</i>	<i>Part Number</i>	<i>Qty.</i>	<i>Description</i>	<i>Ref.</i>	<i>Part Number</i>	<i>Qty.</i>	<i>Description</i>
1	115-8985	1	Frame-Main	7:2	93-9852	1	Decal-Warning
1:2	108-0865	2	Decal-Pinchpoint	8	63-7880	1	Pin-Latch, Brake
1:3	108-0866	1	Decal-Pinchpoint	9	3290-250	1	Pin-Cotter
2	137-6608	2	Wheel And Tire ASM	10	104-7050	1	Tube-Manual
2:1	137-6607	1	Rim	11	104-7048	1	Cap-Housing
2:2	117-5196	1	Tire	12	2412-133	2	Clamp-R
2:3	232-24	1	Stem-Valve	13	323-6	2	Screw-HH
3	107-1529	1	Trailer Axle ASM	14	3256-24	2	Washer-Flat
4	324-5	4	Screw-HH	15	104-8301	2	Nut-HF, NI
5	63-3340	4	Washer-Support	16	144-3255-01	1	Plate-Mount
6	32128-42	4	Nut-HF	17	126-5896	4	Screw HHF
7	108-0777	1	Stop-Cylinder	18	104-8300	4	Nut-HF, NI



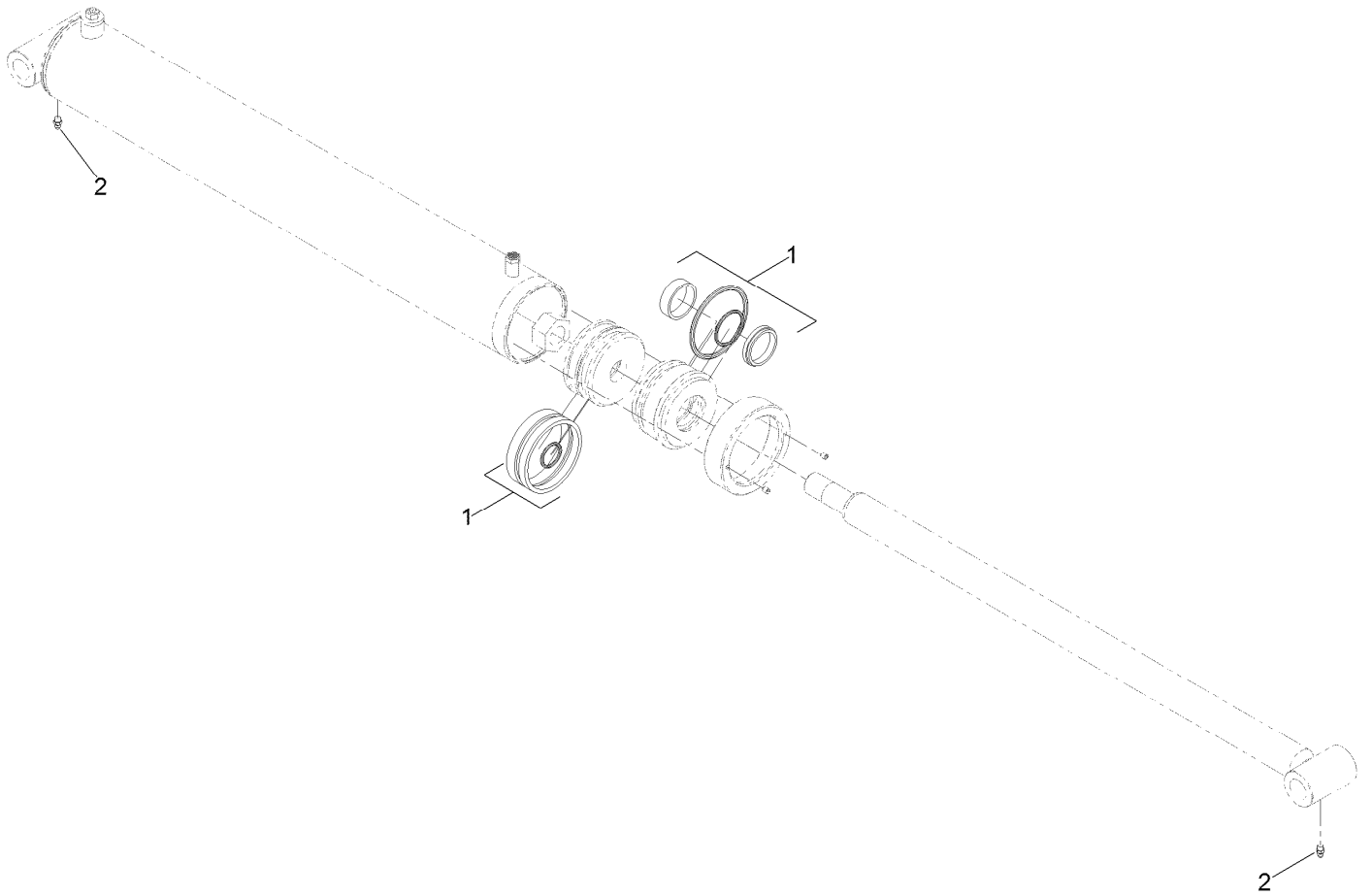
Trailer Axle Assembly No. 107-1529

<i>Ref.</i>	<i>Part Number</i>	<i>Qty.</i>	<i>Description</i>
1	107-1300	1	Axle-Trailer
2	108-0689	2	Wheel Hub Kit
2:1	107-1528	1	Hub-Wheel
2:1:1	107-1503	5	Stud-Wheel
2:2	108-0693	1	Cap-Grease
2:3	108-0694	1	Seal-Grease
2:4	254-107	1	Cup-Bearing, Tapered
2:5	254-106	1	Cone-Bearing, Tapered
2:6	254-72	1	Bearing-Cup, Tapered
2:7	254-92	1	Cone-Bearing, Outer
2:8	3256-62	1	Washer-Flat
2:9	99-4508	1	Nut-Castle
2:10	3272-22	1	Pin-Cotter
2:11	242-50	5	Nut-Lug



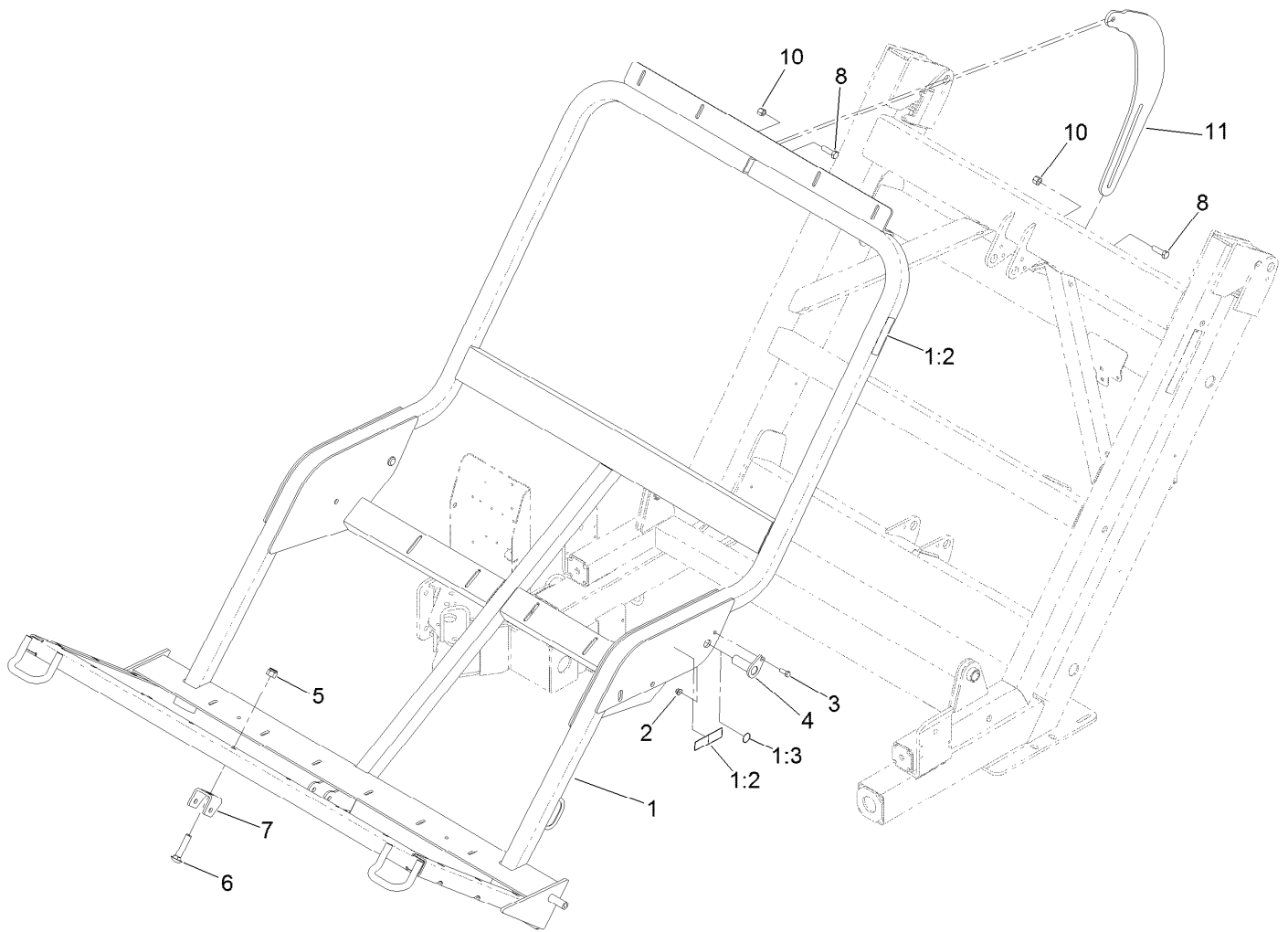
Pitch Frame and Cylinder Assembly

Ref.	Part Number	Qty.	Description
1	108-0778	1	Frame-Pitch
1:2	108-0863	2	Decal-Caution, Bystanders (CE)
1:3	58-6520	2	Decal-Grease
1:4	93-9899	1	Decal-Warning
2	104-8301	4	Nut-HF, NI
3	107-1258	2	Pin-Flag
5	138-5901	1	Cylinder-HYD
7	108-0669	1	Pin-Flag
8	323-7	4	Screw-HH
9	302-5	4	Fitting-Grease
10	108-0826	1	Pin-Flag
11	92-7845	2	Spacer-Hardened
12	10-8110	4	Washer-Thrust



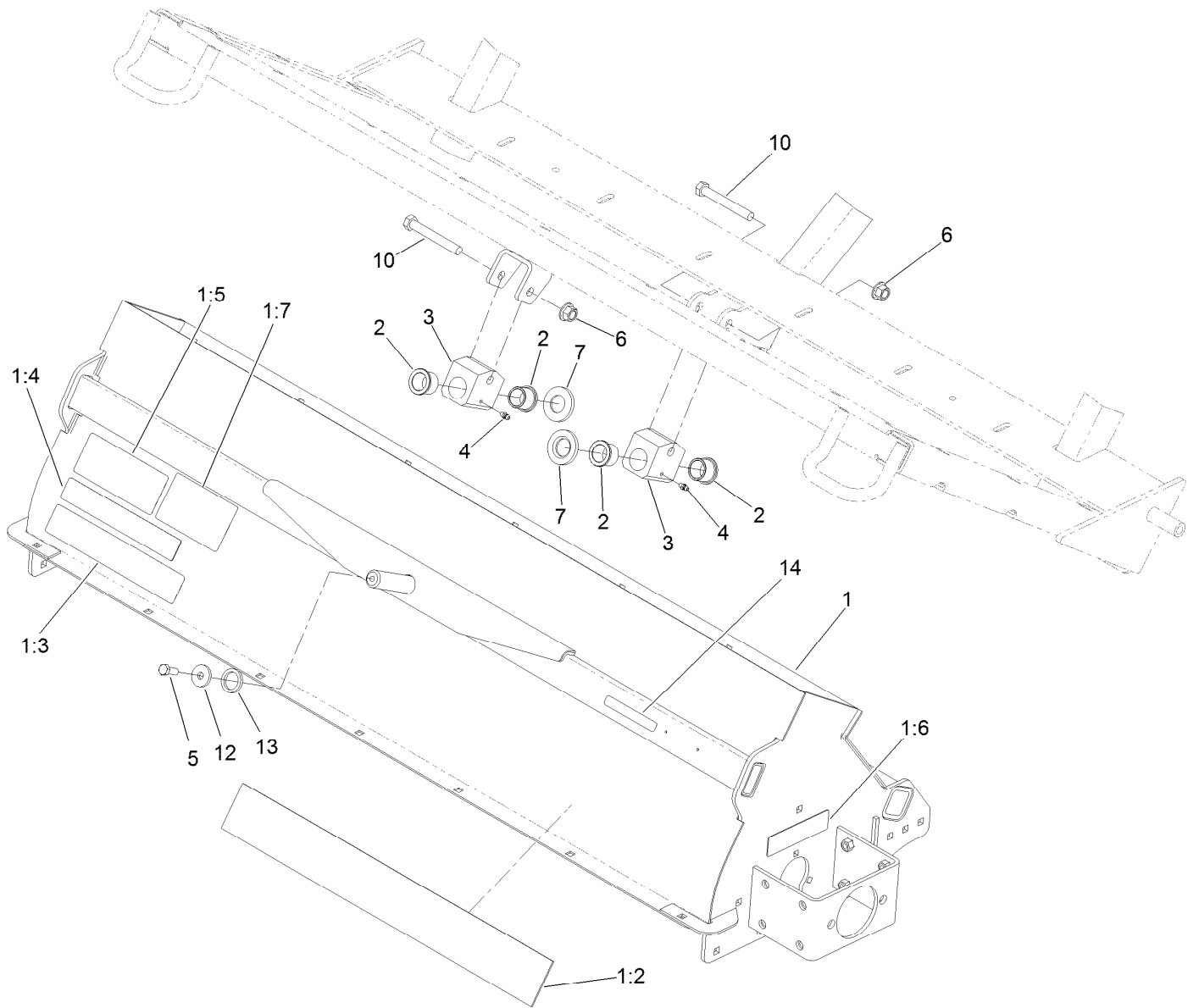
Hydraulic Cylinder Assembly No. 138-5901

<i>Ref.</i>	<i>Part Number</i>	<i>Qty.</i>	<i>Description</i>
1	137-6611	1	Seal Kit
2	302-58	2	Fitting-Straight



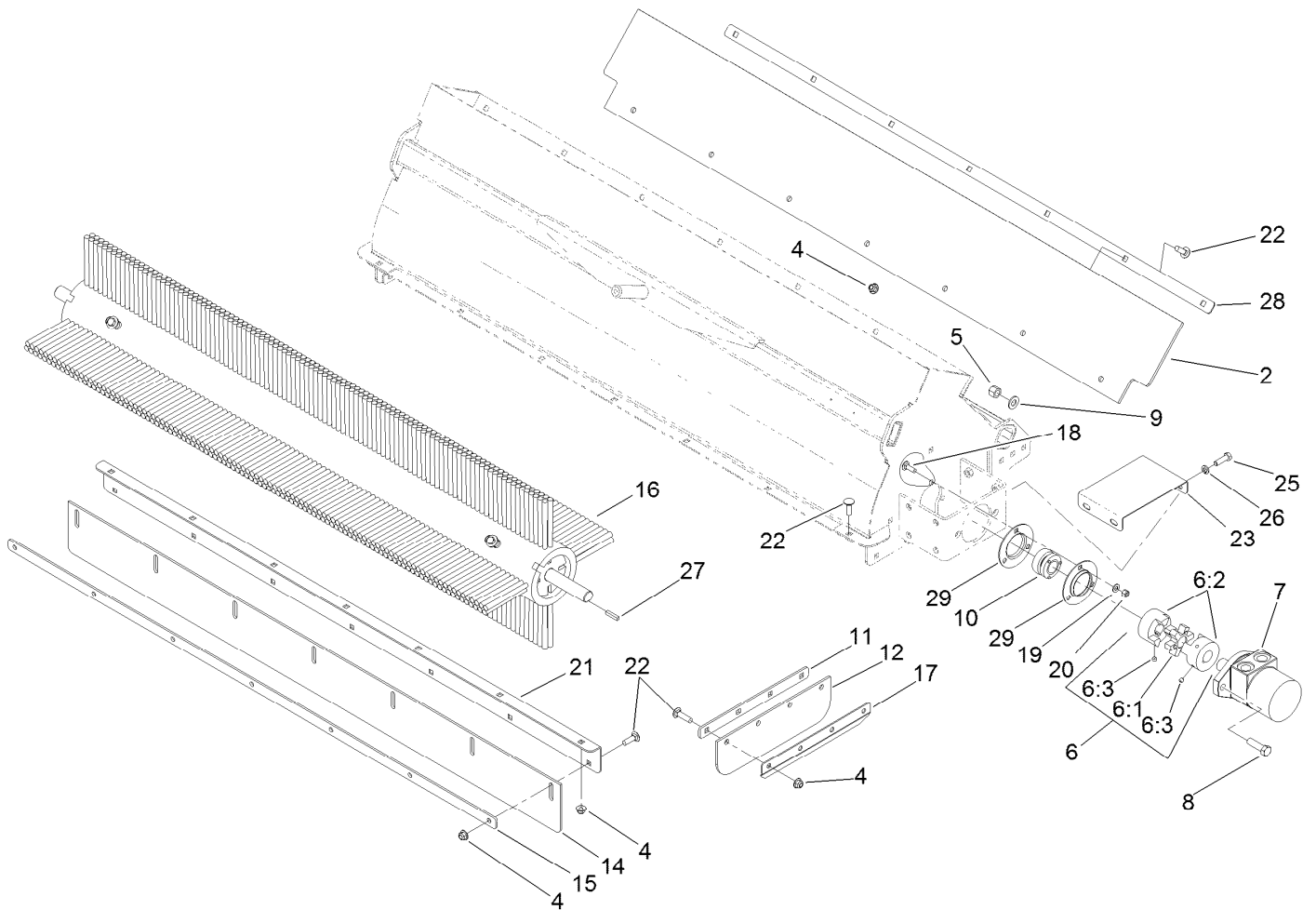
Saddle Frame Assembly

<i>Ref.</i>	<i>Part Number</i>	<i>Qty.</i>	<i>Description</i>
1	117-8320	1	Saddle ASM
1:2	108-0872	4	Decal-Warning
1:3	58-6520	2	Decal-Grease
2	104-8301	2	Nut-HF, NI
3	323-6	2	Screw-HH
4	108-0657	2	Pin-Flag
5	3296-53	1	Nut-Lock, NI
6	3233-32	1	Bolt-Carriage
7	117-8305-03	1	Saddle-Pivot
8	325-7	2	Screw-HH
10	3296-23	2	Nut-Lock, NI
11	108-0759-01	1	Link



Brush Housing Assembly

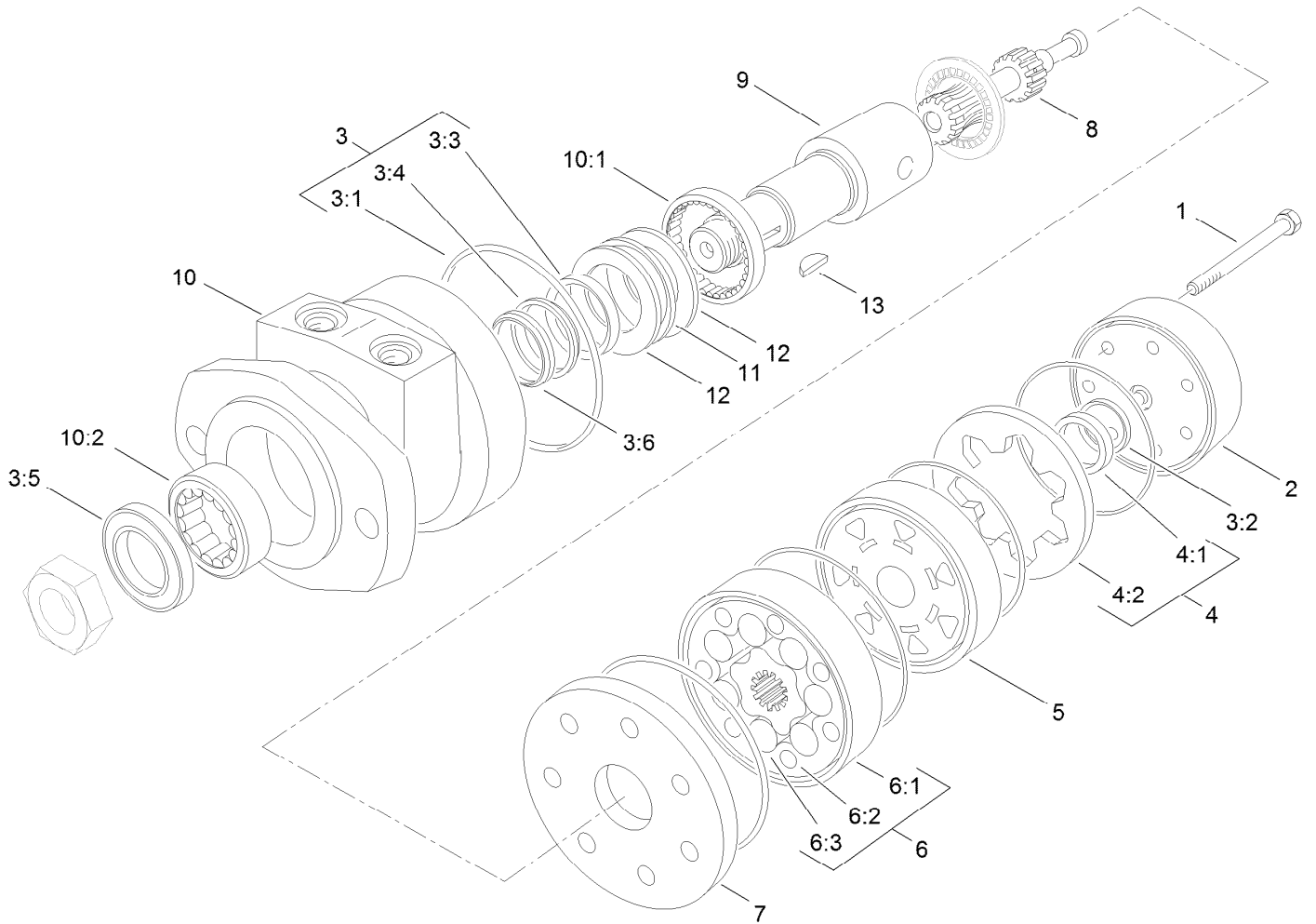
<i>Ref.</i>	<i>Part Number</i>	<i>Qty.</i>	<i>Description</i>	<i>Ref.</i>	<i>Part Number</i>	<i>Qty.</i>	<i>Description</i>
1	117-8309	1	Brush Housing ASM	4	302-5	2	Fitting-Grease
1:2	117-8365	1	Decal	5	323-6	1	Screw-HH
1:3	108-0868	1	Decal-Pinchpoint	6	99-5107	2	Nut-Lock
1:4	108-0862	1	Decal-Warning, Shields	7	117-8302	2	Washer
1:5	108-0873	1	Decal-Danger	10	325-35	2	Screw-HH
1:6	108-0870	1	Decal-Warning, Shields	12	53-6380	1	Washer-Flat
1:7	110-7999	1	Decal-Warning, Offset Lift	13	115-5666	1	Spacer-Hardened
2	94-8949	4	Bushing-Flange	14	133-8061	1	Decal-Warning
3	117-8307	2	Mount-Pivot				



Brush, Motor and Shield Assembly

Ref.	Part Number	Qty.	Description	Ref.	Part Number	Qty.	Description
2	108-0686	1	Shield-Rubber, Top	14	115-9092	1	Shield, Rubber-Front
4	104-8301	29	Nut-HF, NI	15	108-0667-03	1	Plate-Skirt, Front
5	3296-23	2	Nut-Lock, NI	16	117-8310	1	Brush ASM
6	108-0760	1	Coupling-Jaw, Stock	17	107-1439-03	2	Plate-Angle
6:1	108-0761	1	Spider-Coupling	18	3230-2	6	Bolt-CARR
6:2	108-0762	2	Coupling-Jaw	19	3256-23	6	Washer-Plain
6:3	3246-2	4	Screw-Set, HSH	20	3296-29	6	Nut-Lock, NI
7	105-9455	1	Motor	21	107-1280-01	1	Angle-Front
8	325-7	2	Screw-HH	22	3231-25	29	Bolt-CARR
9	3256-26	2	Washer-Flat	23	108-0781	2	Cover-Coupler
10	115-8975	2	Bearing-Self-Aligning	25	323-6	8	Screw-HH
10:1	110-2735	1	Indicator-Torque ●	26	3253-21	8	Washer-Lock
10:2	110-2736	1	Wrench-Allen ●	27	13-2840	1	Key-Square
11	108-0668-03	2	Plate-Skirt, Side	28	108-0844-03	1	Plate-Shield, Top
12	115-9093	2	Shield, Rubber-Side	29	107-1474	4	Flange-3 Bolt

● Not illustrated

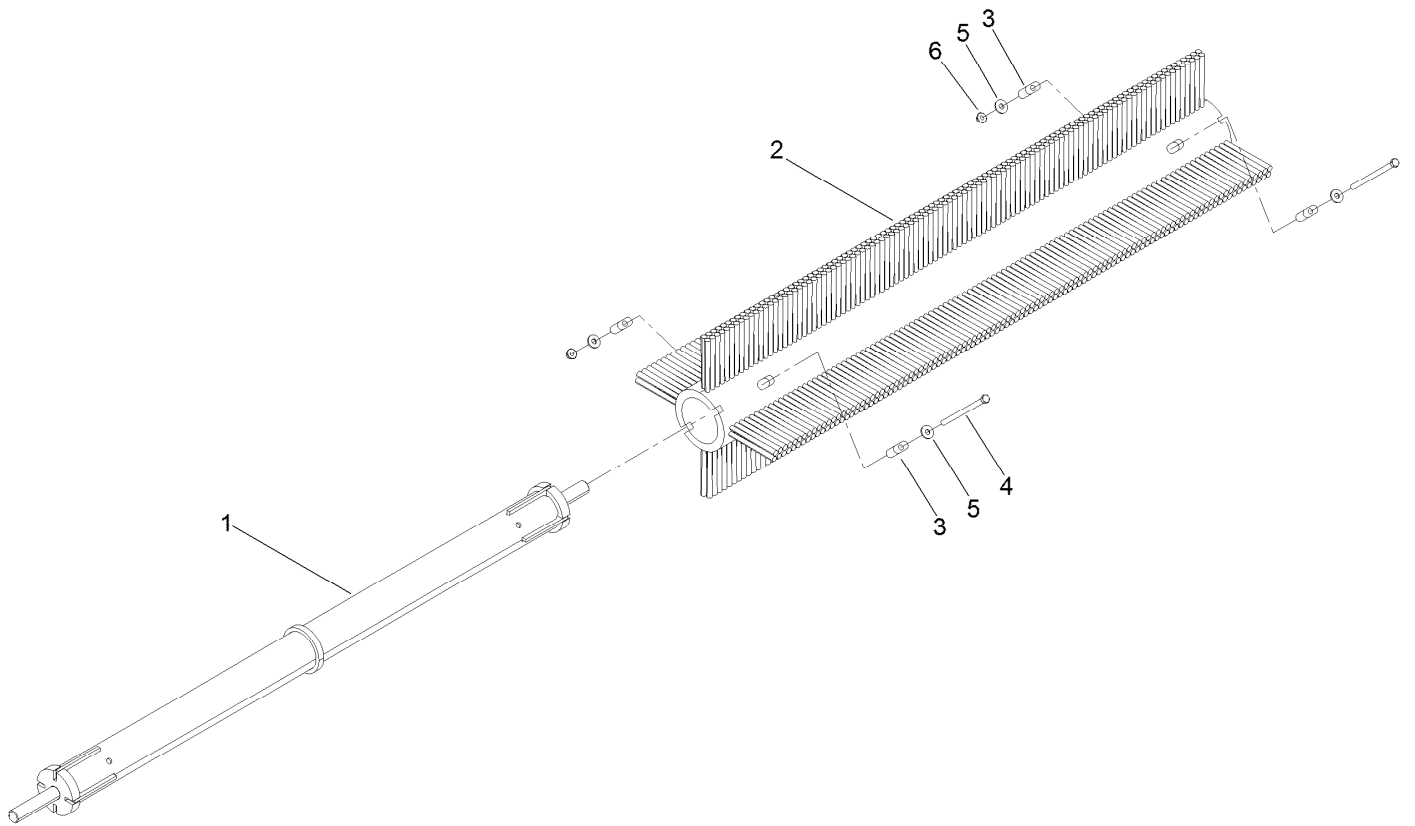


Hydraulic Motor Assembly No. 105-9455

Ref.	Part Number	Qty.	Description	Ref.	Part Number	Qty.	Description
1	322-33	5	Screw-HH	6	106-1984	1	Rotor Set
2	106-1981	1	Cover-End	6:1		1	Stator ■
3	106-1989	1	Seal Kit	6:2		7	Vane ■
3:1		6	Seal-Ring ■	6:3		1	Rotor ■
3:2		1	Seal-Commutator ■	7	106-1985	1	Plate-Wear
3:3		1	Seal-Dirt And Water ■	8	106-1986	1	Link-Drive
3:4		1	Washer-Backup ■	9	106-1987	1	Shaft-Coupling
3:5		1	Seal-Shaft ■	10	106-1988	1	Housing ASM
3:6		1	Ring-Back Up ●■	10:1		1	Bearing ■
4	106-1982	1	Commutator ASM	10:2		1	Bearing ■
4:1		1	Commutator ■	11		1	Bearing-Thrust ■
4:2		1	Ring-Commutator ■	12		1	Washer-Thrust ■
5	106-1983	1	Manifold	13	106-1990	1	Key-Woodruff

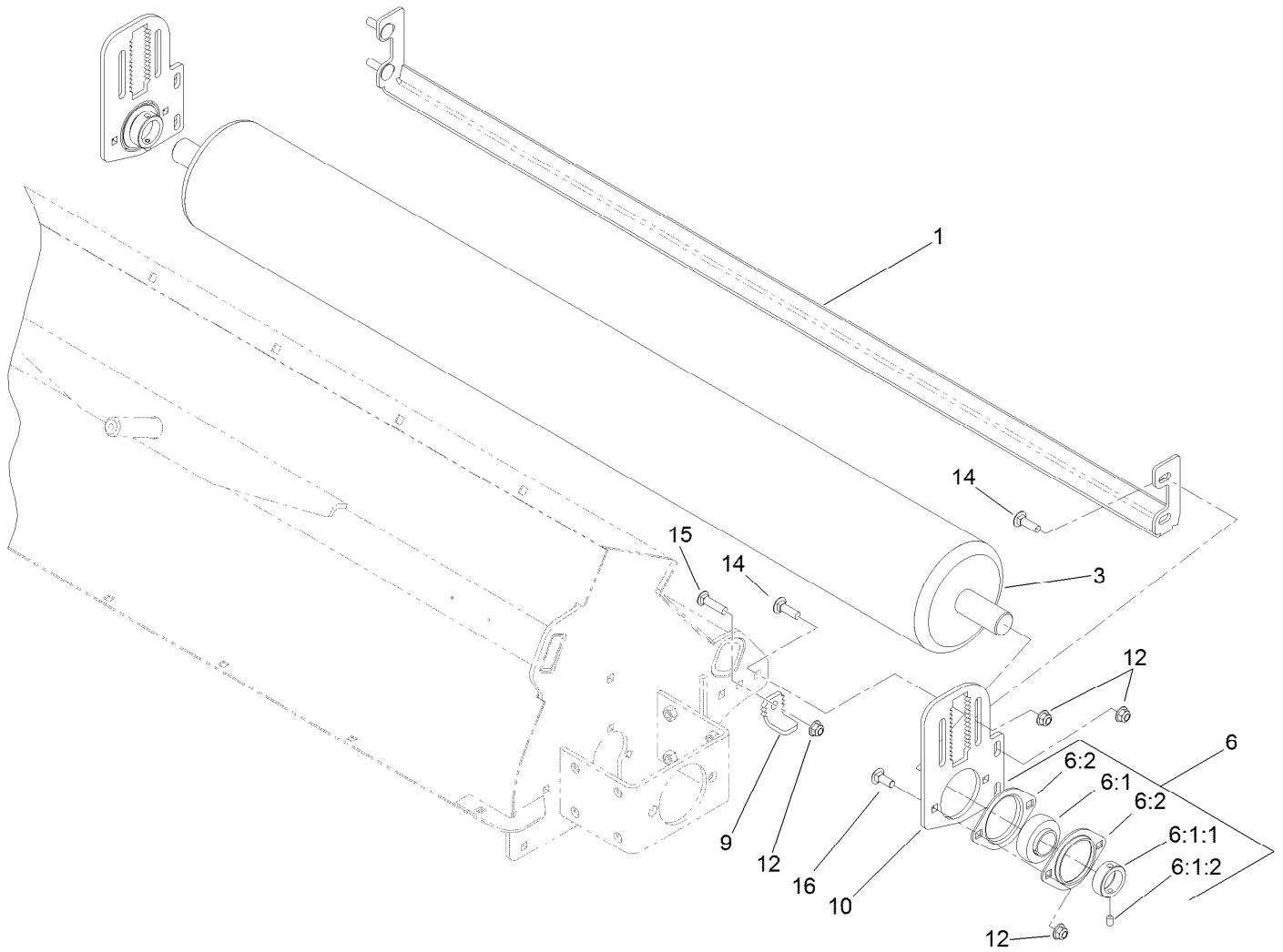
● Not illustrated

■ Not serviced separately



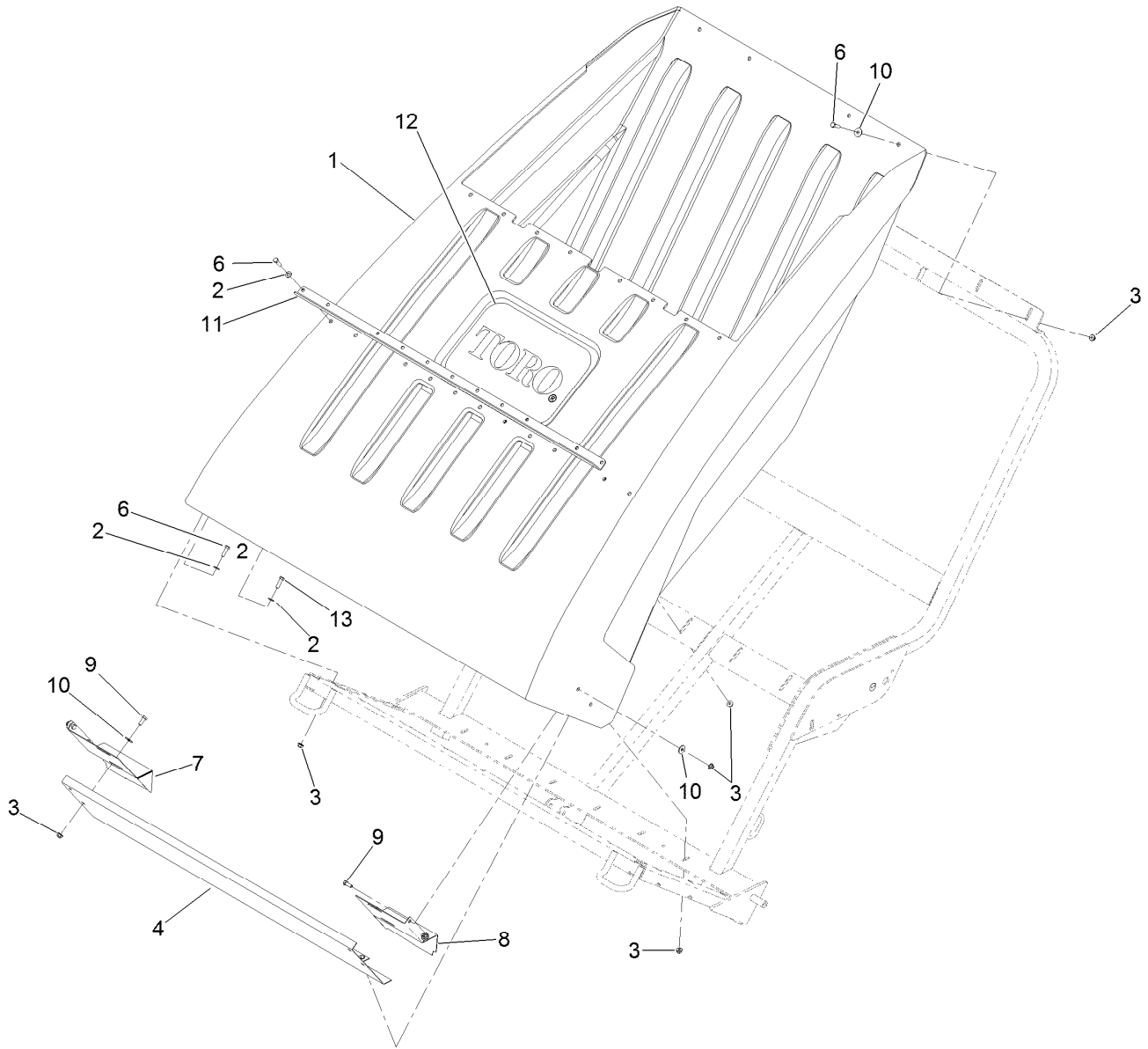
Brush Assembly No. 117-8310

<i>Ref.</i>	<i>Part Number</i>	<i>Qty.</i>	<i>Description</i>
1	115-8930	1	Axle-Brush
2	115-8982	1	Brush-Paddle
3	115-8962	4	Key
4	323-58	2	Bolt-TAP, HH
5	80-6990	4	Washer-Hardened
6	104-8301	2	Nut-HF, NI



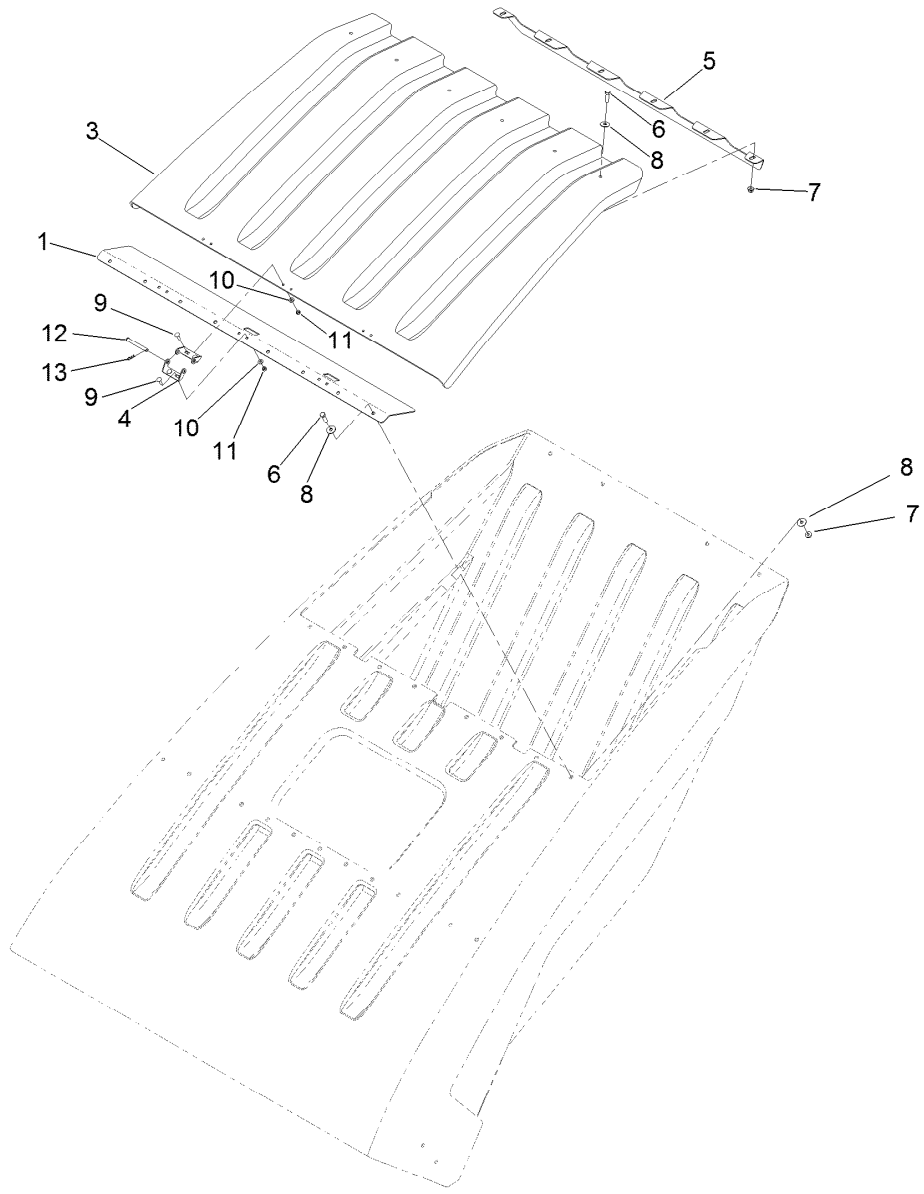
Roller Assembly

Ref.	Part Number	Qty.	Description
1	107-1477-01	1	Angle-Scraper
3	107-1294-03	1	Roller ASM
6	107-1358	2	Bearing-Flange
6:1	107-1357	1	Bearing
6:1:1	251-246	1	Collar W/Set Screws
6:1:2	3246-17	1	Setscrew-HSH
6:2	107-1356	2	Flange-2 Bolt
9	107-1438	2	Key-Adjuster, Bent
10	107-1437-01	2	Plate-Adjuster
12	104-8301	14	Nut-HF, NI
14	3231-25	8	Bolt-CARR
15	3231-4	2	Screw-CARR
16	3231-2	4	Bolt-CARR



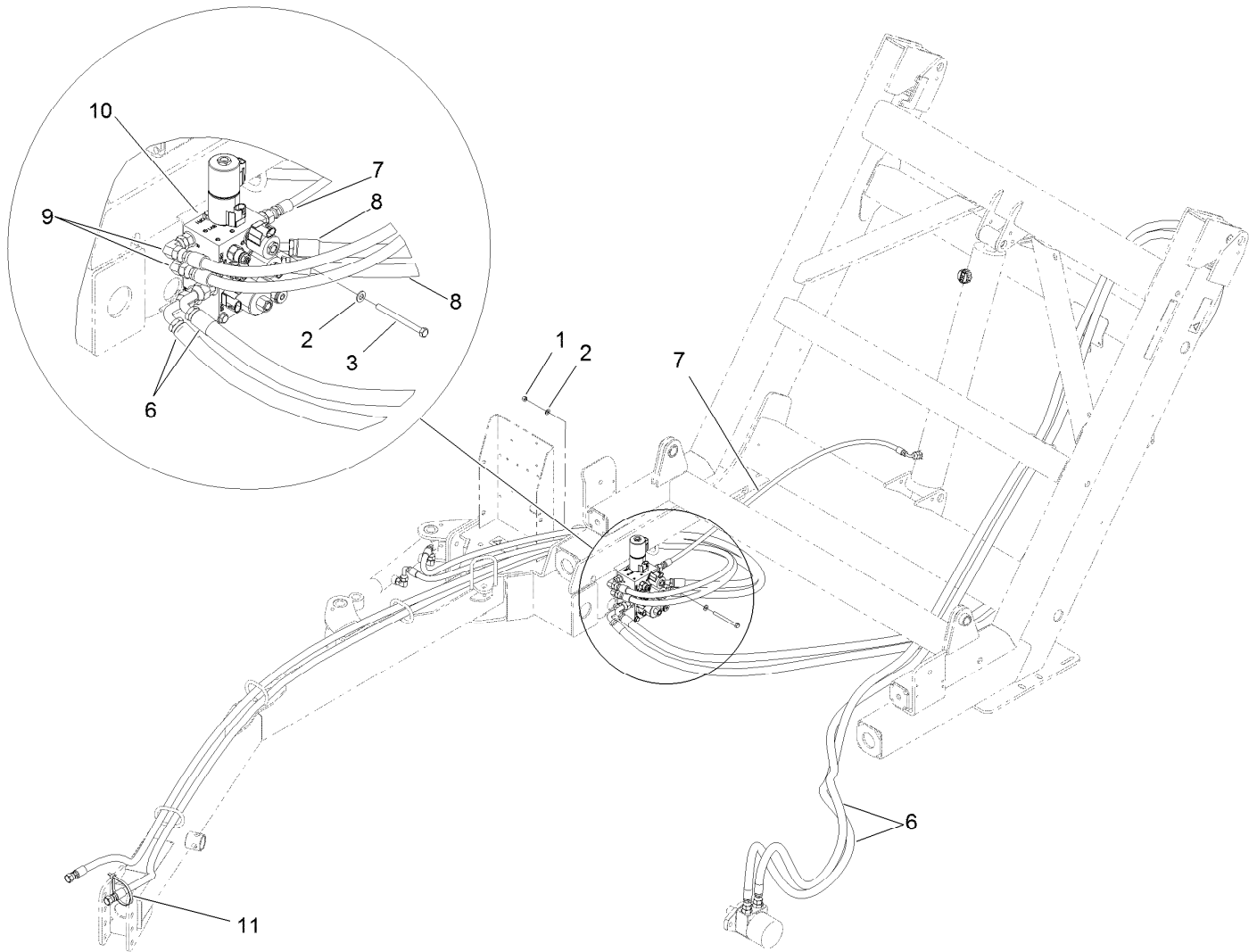
Hopper and Baffle Assembly

Ref.	Part Number	Qty.	Description
1	107-1272	1	Hopper-Dump
2	3256-24	24	Washer-Flat
3	104-8301	45	Nut-HF, NI
4	107-1225-03	1	Baffle-Hopper
6	323-7	30	Screw-HH
7	107-1462-03	1	Plate-Side, Baffle LH
8	107-1442-03	1	Plate-Side, Baffle RH
9	323-6	8	Screw-HH
10	3256-35	24	Washer-Flat
11	115-9063-03	1	Support-Hopper
12	107-1454	1	Decal
13	323-8	2	Screw-HH



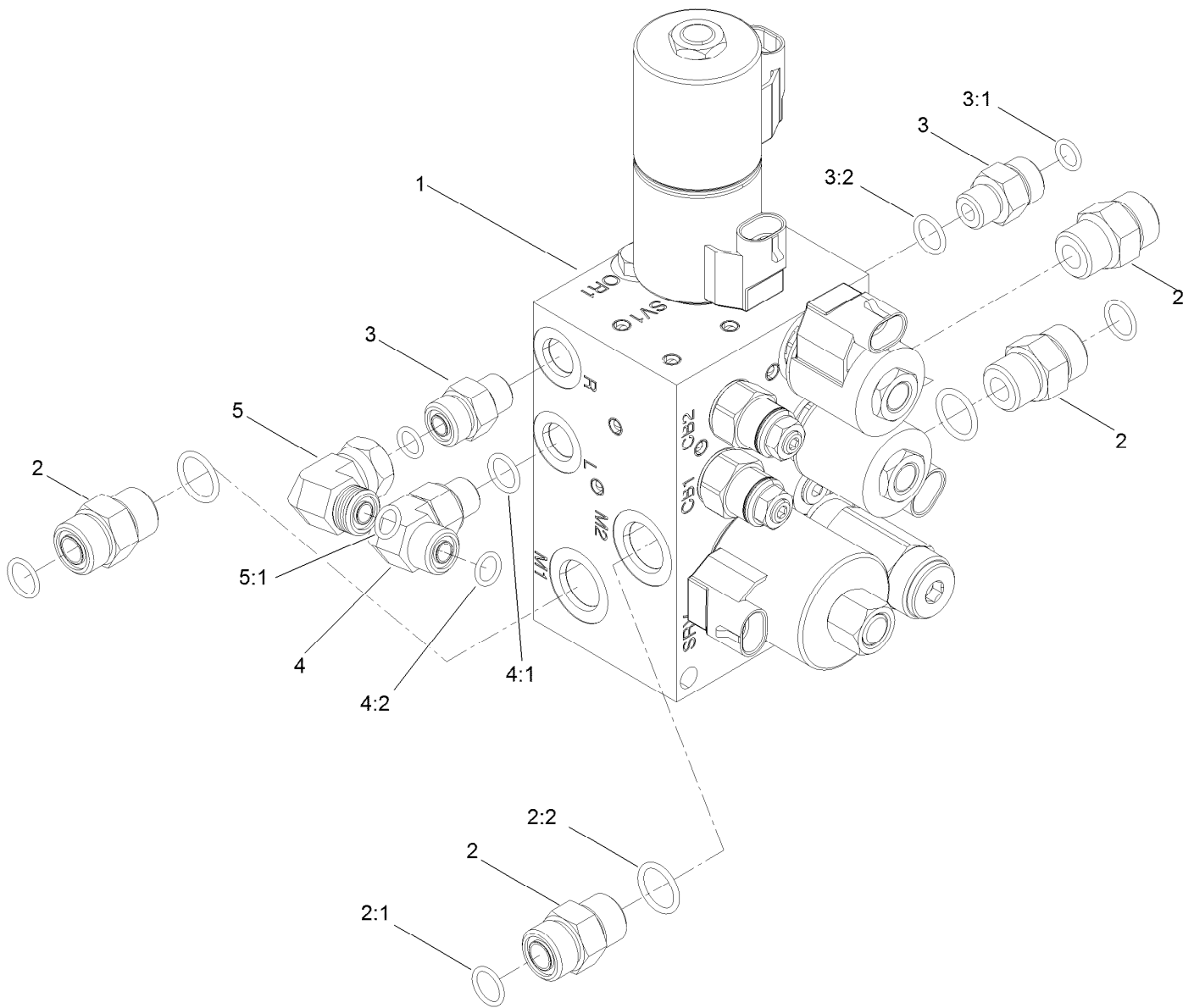
Hopper Lid and Baffle Assembly

<i>Ref.</i>	<i>Part Number</i>	<i>Qty.</i>	<i>Description</i>
1	108-0678-03	1	Plate-Baffle, Hopper
3	107-1273	1	Lid-Hopper
4	107-1549	6	Hinge-Half
5	107-1487-03	1	Door-Baffle
6	323-7	14	Screw-HH
7	104-8301	14	Nut-HF, NI
8	3256-35	22	Washer-Flat
9	3229-2	12	Screw-CARR
10	3256-22	12	Washer-Flat
11	3296-42	12	Nut-Lock, NI
12	80-2570	3	Pin-Clevis
13	3290-307	3	Pin-Cotter



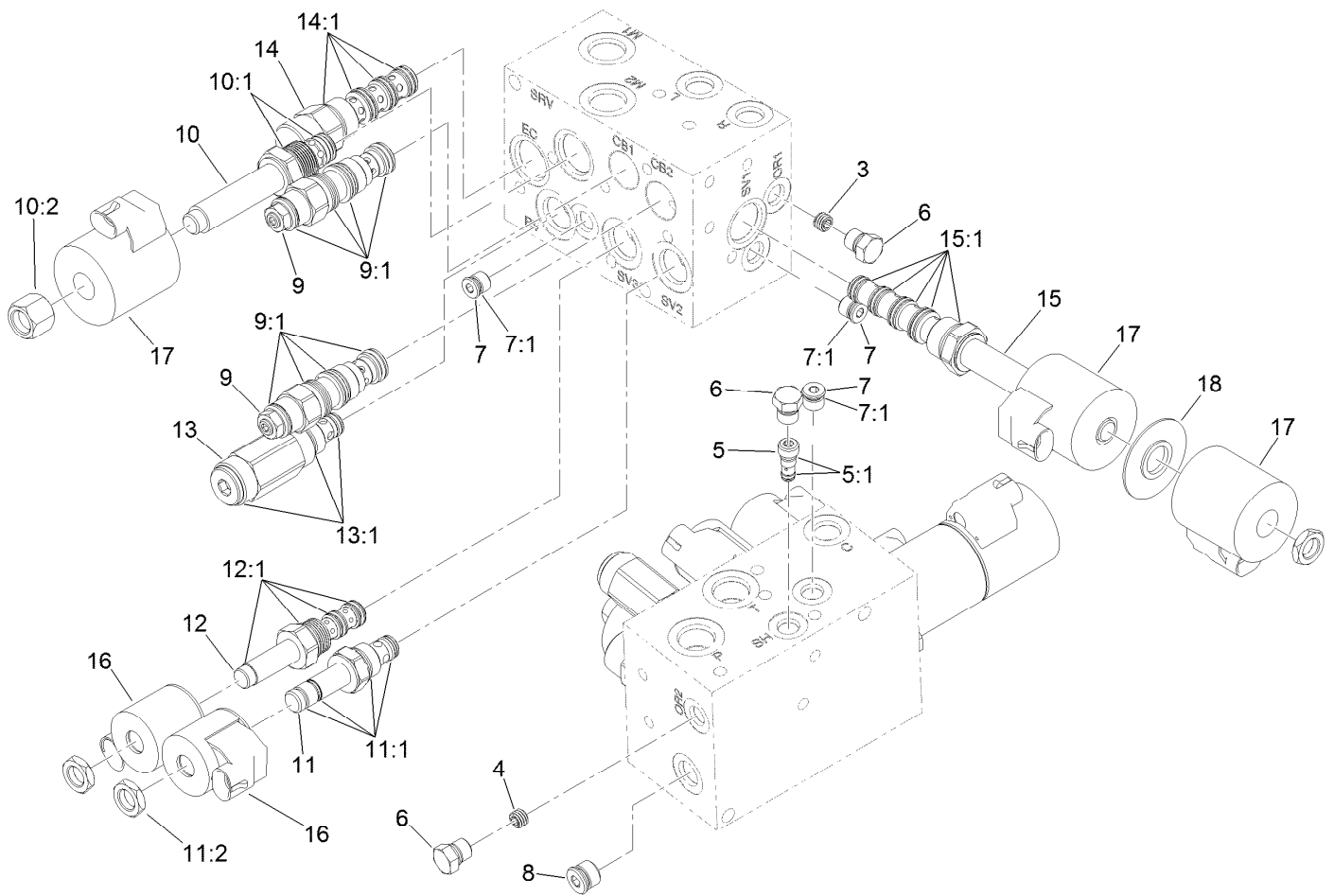
Hydraulic Manifold Valve and Hose Routing Assembly

<i>Ref.</i>	<i>Part Number</i>	<i>Qty.</i>	<i>Description</i>
1	3296-29	2	Nut-Lock, NI
2	3256-23	4	Washer-Plain
3	322-23	2	Screw-HH
6	107-1394	2	HYD Hose ASM
7	107-1396	1	HYD Hose ASM
8	107-1395	2	HYD Hose ASM
9	114-7702	2	Hose-HYD
10	117-8366	1	Hydraulic Manifold ASM
11	3334-945	1	Tie-Cable



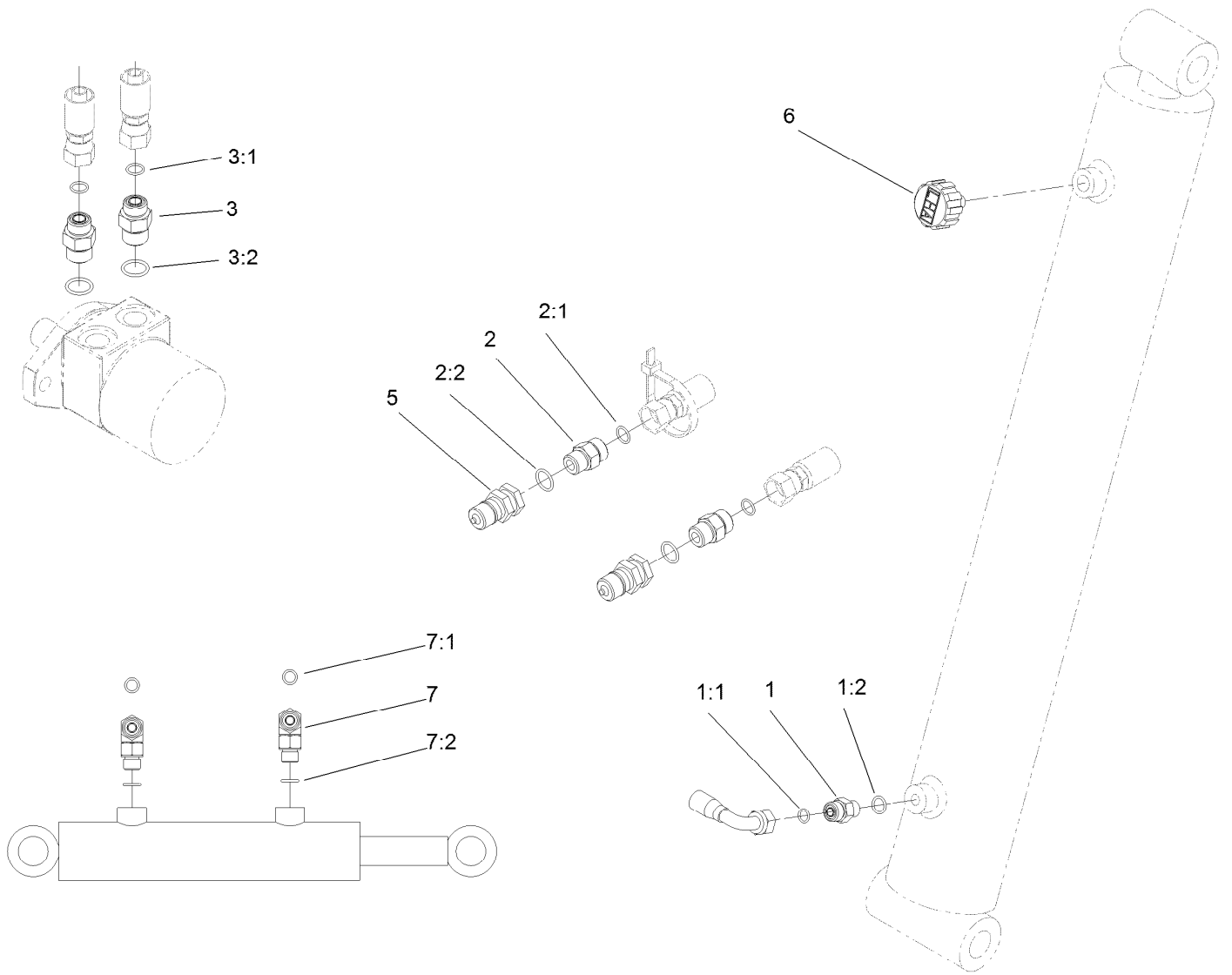
Hydraulic Manifold Assembly No. 117-8366

<i>Ref.</i>	<i>Part Number</i>	<i>Qty.</i>	<i>Description</i>
1	112-6752	1	Manifold-Hydraulic
2	340-4	4	Fitting-Straight
2:1	237-30	1	O-Ring
2:2	237-79	1	O-Ring
3	340-2	2	Fitting-Straight
3:1	237-22	1	O-Ring
3:2	237-42	1	O-Ring
4	340-77	1	Fitting-Elbow, 90 DEG
4:1	237-22	1	O-Ring
4:2	237-42	1	O-Ring
5	340-159	1	Elbow-90
5:1	237-22	2	O-Ring



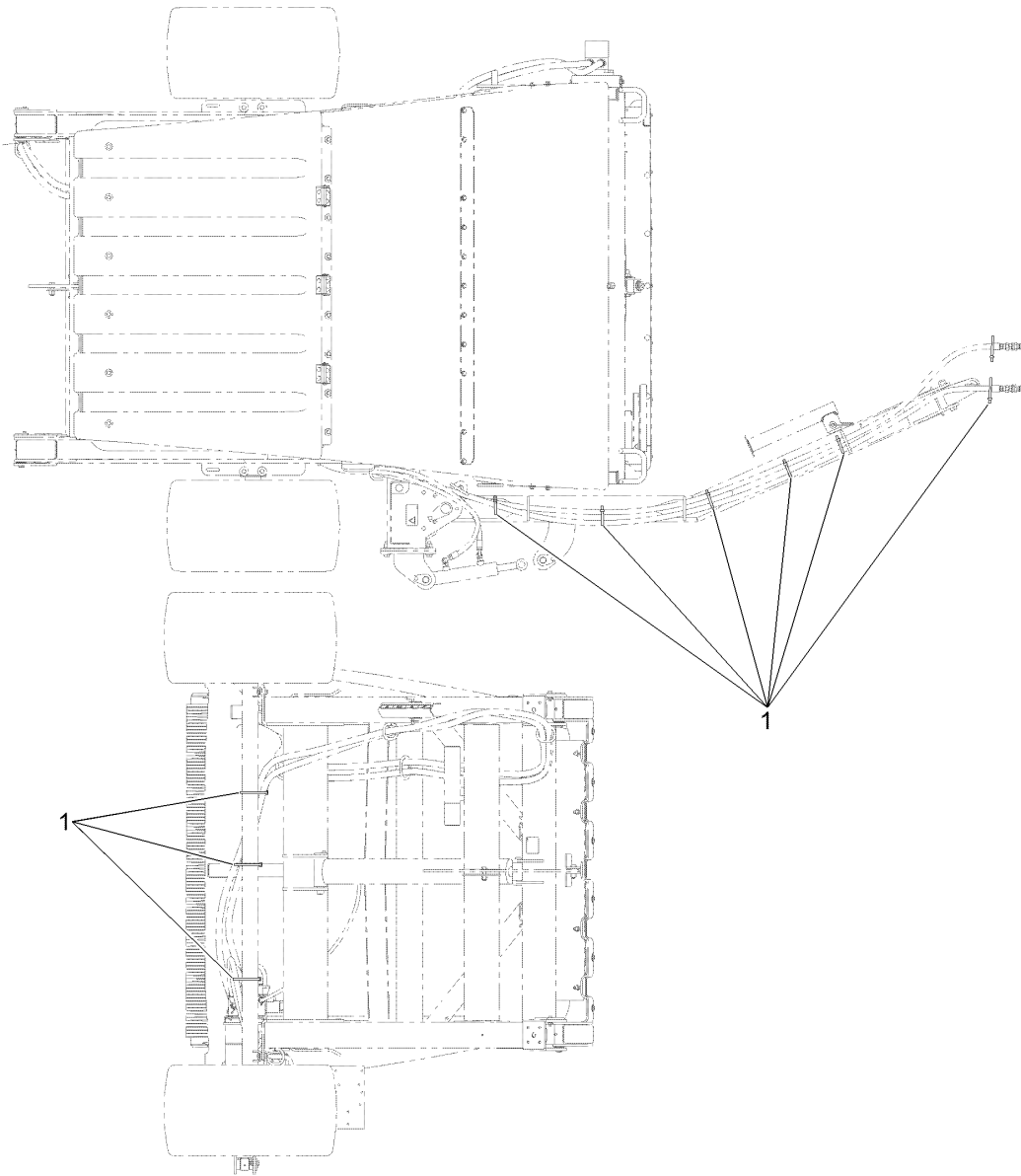
Hydraulic Manifold Assembly No. 112-6752

<i>Ref.</i>	<i>Part Number</i>	<i>Qty.</i>	<i>Description</i>	<i>Ref.</i>	<i>Part Number</i>	<i>Qty.</i>	<i>Description</i>
3	110-0495	1	Plug-Orifice (0.050 Inch)	11	107-7516	1	Solenoid Valve ASM
4	112-9202	1	Orifice-Flow, Control (.060)	11:1	105-9156	1	Seal Kit
5	117-8313	1	Shuttle-Load	11:2	110-2634	1	Nut-Coil
5:1	117-7597	1	Seal Kit	12	106-1995	1	Valve-3 Way
6	117-0115	1	Plug	12:1	110-8773	1	Seal Kit
7	353-990	1	Plug ASM	13	117-8312	1	Valve-Relief
7:1	237-78	1	O-Ring	13:1	105-9156	1	Seal Kit
8	106-1026	1	Plug-HYD	14	117-8314	1	Compensator-Pressure
9	114-5082	2	Valve-Balance, Counter	14:1	110-8908	1	Spool Valve Seal Kit
9:1	114-5083	1	Seal Kit	15	117-8311	1	Valve-Solenoid
10	110-8768	1	Valve-Relief, Solenoid (3000 PSI)	15:1	117-7596	1	Seal Kit
10:1	110-6316	1	Seal Kit	16	105-9333	2	Coil-12Vdc
10:2	130-8181	1	Nut-Coil (1/2-20 Unf-2B)	17	110-2630	3	Coil-12Vdc
				18	117-8316	1	Spacer-E Coil



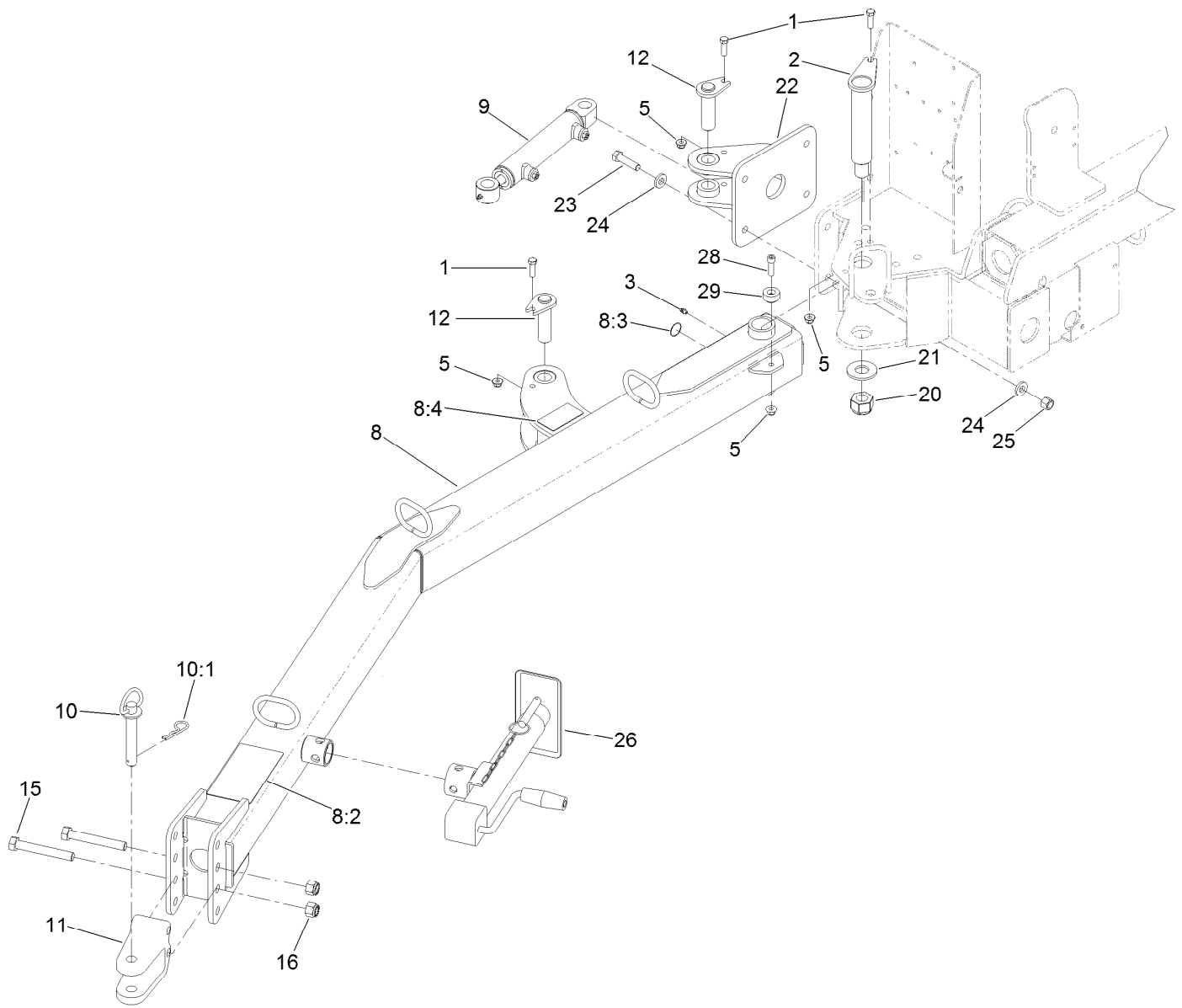
Hydraulic Fitting Assembly

Ref.	Part Number	Qty.	Description
1	107-1463	1	Fitting-Valve, Check
1:1	237-22	1	O-Ring
1:2	237-42	1	O-Ring
2	340-4	2	Fitting-Straight
2:1	237-30	1	O-Ring
2:2	237-79	1	O-Ring
3	340-6	2	Fitting-Straight
3:1	237-30	1	O-Ring
3:2	237-80	1	O-Ring
5	105-4170	2	Coupler-Male
6	68-6150	1	Breather
7	340-77	2	Fitting-Elbow, 90 DEG
7:1	237-22	1	O-Ring
7:2	237-42	1	O-Ring



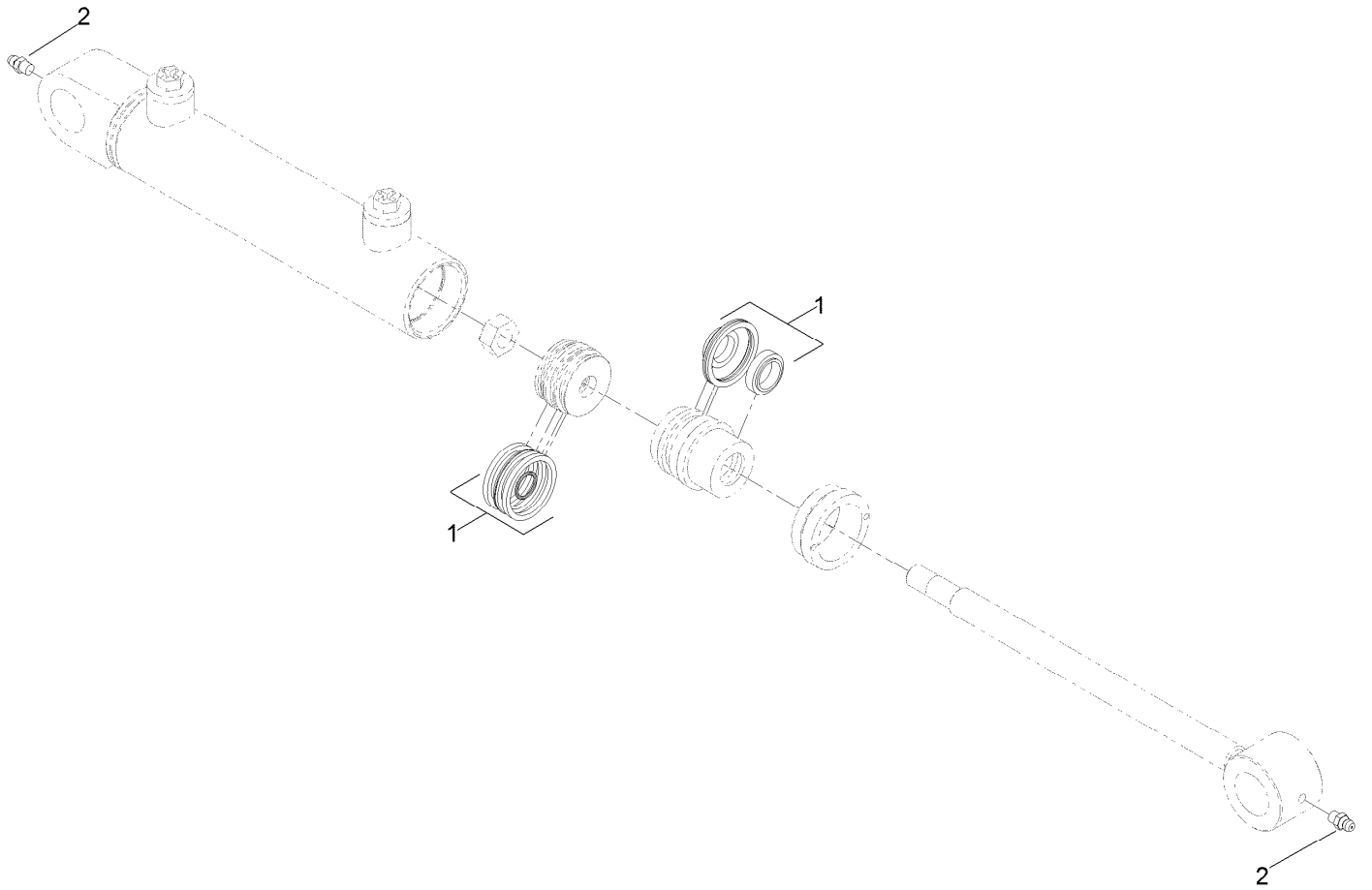
Cable Tie Assembly

<i>Ref.</i>	<i>Part Number</i>	<i>Qty.</i>	<i>Description</i>
1	3334-945	9	Tie-Cable



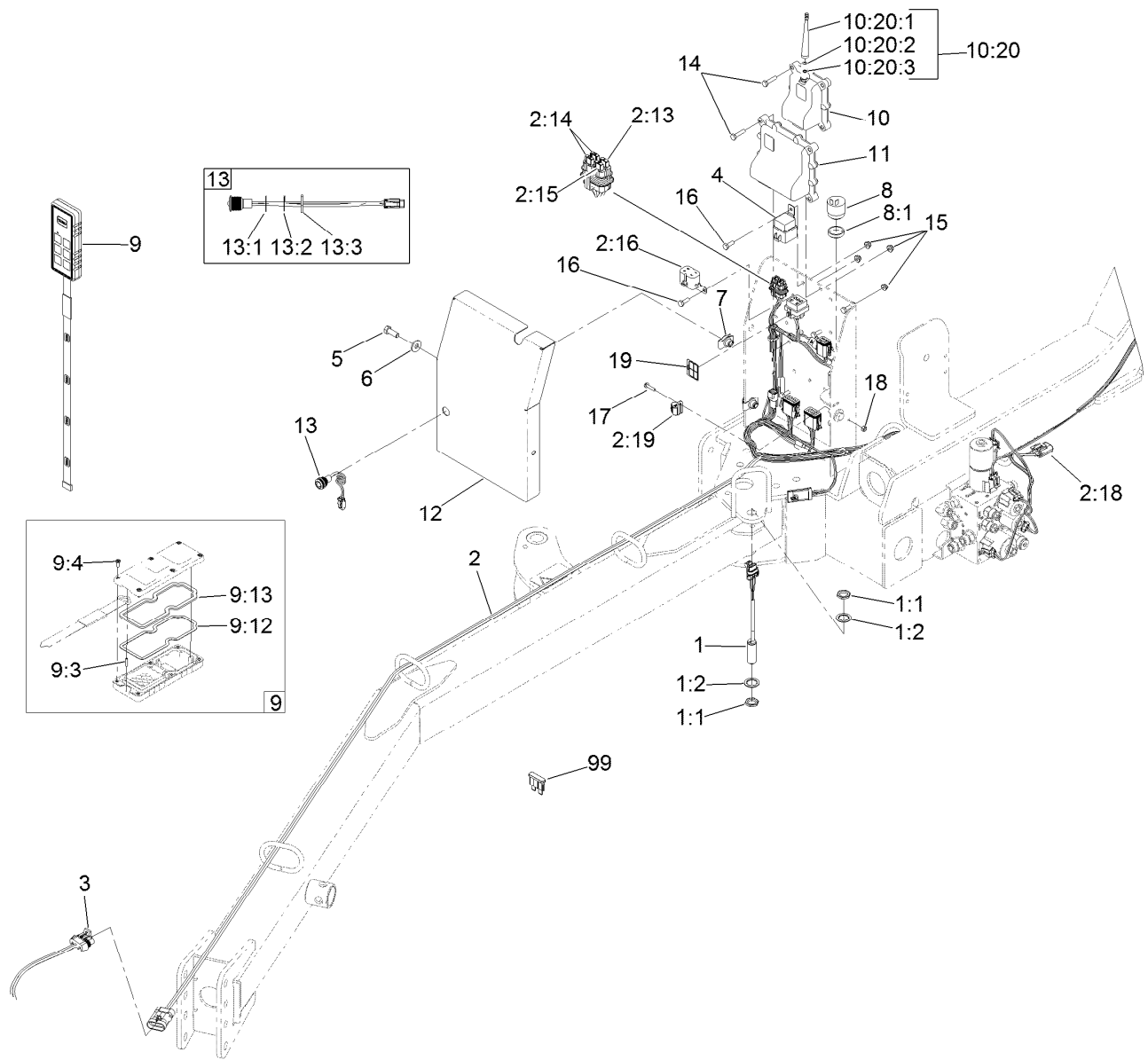
Tongue Assembly

Ref.	Part Number	Qty.	Description	Ref.	Part Number	Qty.	Description
1	323-7	3	Screw-HH	12	115-8934	2	Pin ASM
2	115-2927	1	Pin ASM	15	327-23	2	Screw-HH
3	302-5	1	Fitting-Grease	16	3296-53	2	Nut-Lock, NI
5	104-8301	4	Nut-HF, NI	20	104-2024	1	Nut-Hex, NI
8	115-8991	1	Tongue-Hitch	21	112-4953	1	Washer-Plain
8:2	108-0861	1	Decal-Danger, Sweeper	22	115-9010-01	1	Bracket ASM
8:3	58-6520	1	Decal-Grease	23	325-8	4	Screw-HH
8:4	108-0866	1	Decal-Pinchpoint	24	107-3395	8	Washer-Hardened
9	138-5902	1	Hydraulic Cylinder ASM	25	3296-23	4	Nut-Lock, NI
10	13-6200	1	Pin-Hitch, Pointed	26	T0000-3423	1	Jack-Sidewind
10:1	3290-343	1	Pin-Hair	28	3274-1	1	Screw-HSH
11	131-4381-01	1	Hitch-Clevis	29	117-8533	1	Plate-Sensing



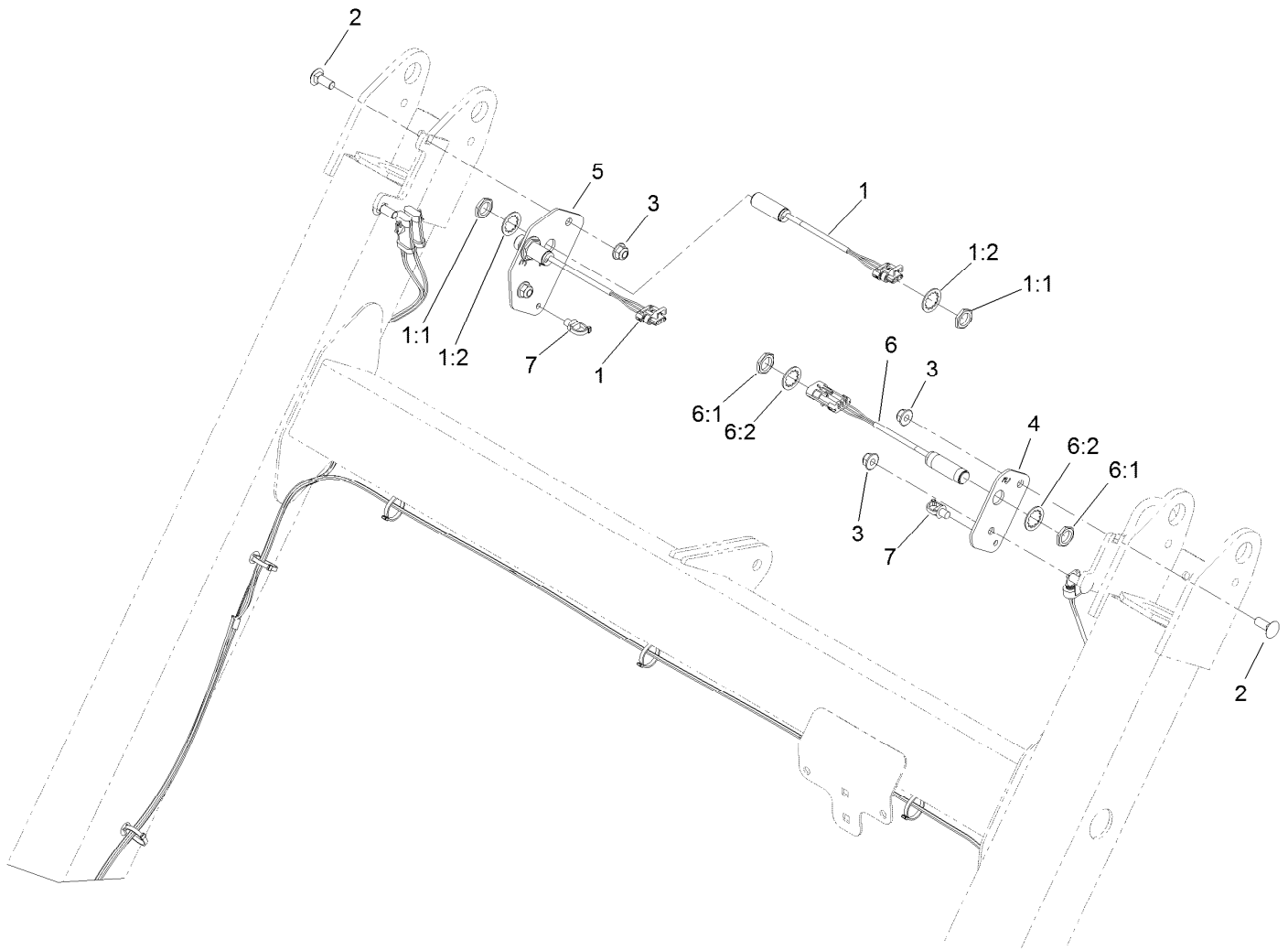
Hydraulic Cylinder Assembly No. 138-5902

<i>Ref.</i>	<i>Part Number</i>	<i>Qty.</i>	<i>Description</i>
1	127-8587	1	Seal Kit
2	302-58	2	Fitting-Straight



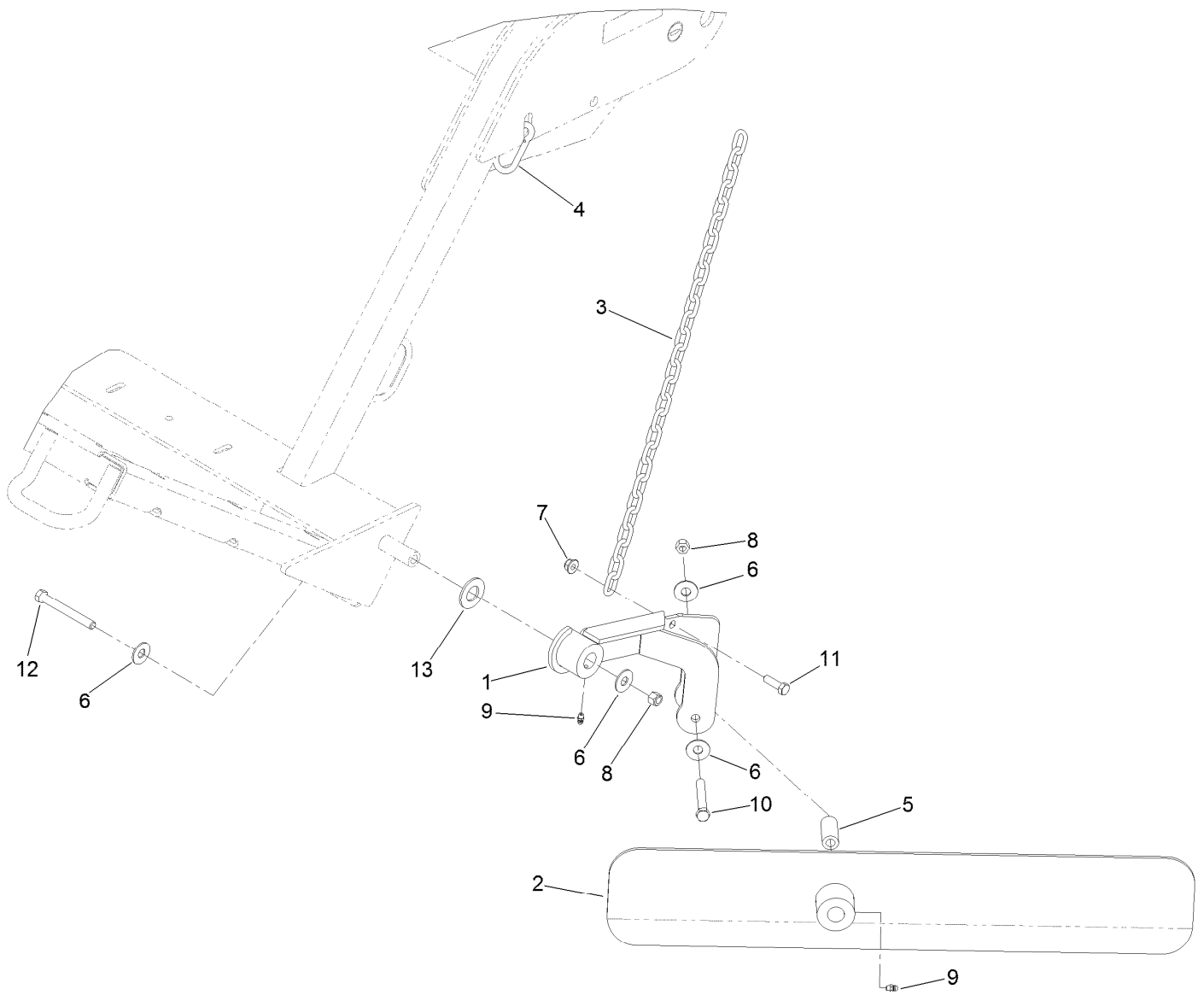
Electrical Assembly

Ref.	Part Number	Qty.	Description	Ref.	Part Number	Qty.	Description
1	115-5300	1	Proximity Switch ASM	9:13	125-1295	1	Gasket (HH-Small)
1:1	117-3207	2	Nut-Hex	10	132-9600	1	Controller
1:2	117-3208	2	Washer-Lock, Internal Tooth	10:20	140-6605	1	Antenna Service Kit
2	122-1503	1	Harness-Wire	10:20:1	125-1567	1	Antenna
2:13	121-8861	1	Fuse-Mini Blade, 2 Amp	10:20:2	127-2323	1	O-Ring
2:14	121-8865	2	Fuse-Mini Blade, 7.5 Amp	10:20:3	127-2506	1	Spacer
2:15	121-8867	1	Fuse-Mini Blade, 15 Amp	11	125-1360	1	Controller
2:16	32180-179	1	Cover-Bussman	12	131-9359-01	1	Cover
2:18	32180-101	1	Cover-Fuse, Single	13	122-0630	1	Red LED Indicator Lamp ASM
2:19	32180-089	1	Cap-Plug, 3 Way	13:1	122-0634	1	Gasket-LED
3	115-8141	1	Harness-Wire	13:2	122-0633	1	Washer-Locking
4	99-7430	1	Relay-Mini	13:3	122-0632	1	Nut-Fixing
5	323-6	3	Screw-HH	14	321-7	8	Screw-HH
6	80-6990	3	Washer-Hardened	15	104-7201	11	Nut-HF
7	105-4886	3	Nut-Tinnerman	16	321-4	3	Screw-HH
8	80-9330	1	Audio Alarm ASM	17	106-9169	1	Screw-HWH
8:1	104-5107	1	Nut-Plastic, Knurled	18	3296-2	1	Nut-Lock, NI
9	125-1300	1	Remote ASM	19	131-6766	1	Decal-Fuses
9:3	121-2906	1	Pin-Lanyard	99	109101	1	Fuse-Blade, 20 Amp
9:4	121-2908	6	Screw-PPH				
9:12	125-1294	1	Backer-Gasket				



Proximity Sensor System Assembly

<i>Ref.</i>	<i>Part Number</i>	<i>Qty.</i>	<i>Description</i>
1	115-5300	2	Proximity Switch ASM
1:1	117-3207	2	Nut-Hex
1:2	117-3208	2	Washer-Lock, Internal Tooth
2	3231-2	4	Bolt-CARR
3	104-8301	4	Nut-HF, NI
4	131-9352-01	1	Plate-Switch, LH
5	131-9351-01	1	Plate-Switch, RH
6	115-0282	1	Proximity Sensor ASM
6:1	117-3207	2	Nut-Hex
6:2	117-3208	2	Washer-Lock, Internal Tooth
7	32180-030	2	Clip-Tie



Windrow Assembly

Ref.	Part Number	Qty.	Description
1	107-1506-01	1	Arm ASM
2	108-0836-01	1	Windrow Blade ASM
3	SV139-00	1	Chain-Link
4	107-1507	1	Link-Snap
5	104-0958	1	Spacer-Windrow
6	3256-5	4	Washer-Flat
7	104-8301	1	Nut-HF, NI
8	3296-48	2	Nut-Hex
9	302-5	2	Fitting-Grease
10	324-13	1	Screw-HH
11	323-7	1	Screw-HH
12	324-26	1	Screw-HH
13	104-8076	1	Washer

Attachments and Accessories

For 07068 Pro Sweep Turf Sweeper

Product Name	Model/Part
Brake Kit	07086
Wheel Scraper Kit.....	107-1370
Slow-Moving Vehicle Sign Kit	107-1372
Wire Harness	115-8141
Safety Chain Kit.....	139-3179
Sidewind Jack.....	T0000-3423

Notes:



Count on it.