



- EN** Flex-Force Power System™ 60V MAX Axial Blower  
51825T
- DE** Flex-Force Power System™ 60V MAX Axial-Laubbläser  
51825T
- ES** Flex-Force Power System™ – Soplador axial 60 V MAX  
51825T
- FR** Souffleur axial Flex-Force Power System™ 60 V MAX  
51825T
- IT** Soffiatore assiale Flex-Force Power System™ 60 V  
MAX  
51825T
- NL** Flex-Force Power System™ 60 V MAX Axiale  
bladblazer  
51825T
- NO** Flex-Force Power System™ - aksialblåser, maks. 60 V  
51825T
- PL** Dmuchawa osiowa Flex-Force Power System™ 60V  
MAX  
51825T
- SV** Flex-Force Power System™ 60 V MAX axialblåsmaskin  
51825T





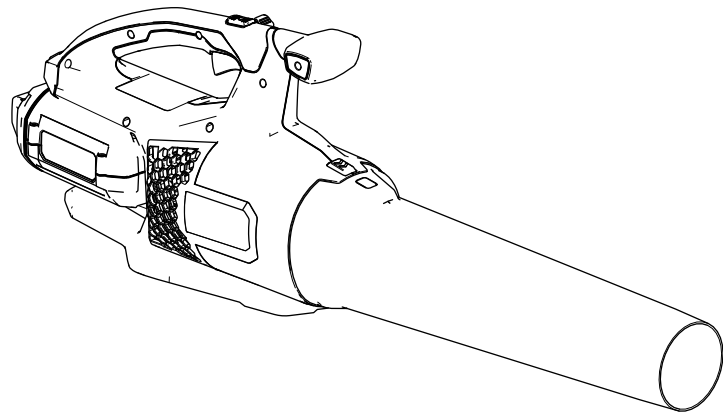


**Count on it.**

**Operator's Manual**

**Flex-Force Power System™ 60V  
MAX Axial Blower**

Model No. 51825T—Serial No. 321000001 and Up





For assistance, please see [www.Toro.com/support](http://www.Toro.com/support) for instructional videos or contact your Authorized Service Dealer before returning this product.

## Introduction

This blower is intended to be used by residential homeowners to move leaf-like debris as needed outdoors. It is designed to use Toro Flex-Force lithium-ion battery pack Models 81820, 81825, 81850, 81860, or 81875. Using this product for purposes other than its intended use could prove dangerous to you and bystanders.

Read this information carefully to learn how to operate and maintain your product properly and to avoid injury and product damage. You are responsible for operating the product properly and safely.

Visit [www.Toro.com](http://www.Toro.com) for more information, including safety tips, training materials, accessory information, help finding a dealer, or to register your product.

**Model 51825T does not include a battery or a charger.**

## Safety

WARNING—When using electric gardening appliances, always follow basic safety precautions to reduce the risk of fire, electric shock, and personal injury, including the following:

### IMPORTANT SAFETY INSTRUCTIONS

#### I. Training

1. The operator of the appliance is responsible for any accidents or hazards occurring to others or their property.
2. Do not allow children to use or play with the appliance, battery pack, or battery charger; local regulations may restrict the age of the operator.
3. Do not allow people with reduced physical, sensory, or mental capabilities or without experience and knowledge to use the appliance, battery pack, or battery charger unless they receive instruction or supervision on using it safely and understand the hazards involved while using it.
4. Before using the appliance, battery pack, and battery charger, read all the instructions and cautionary markings on these products.
5. Become familiar with the controls and proper use of the appliance, battery pack, and battery charger.

#### II. Preparation

1. Keep bystanders and children away from the operating area.
2. Use only the battery pack specified by Toro. Using other accessories and attachments may increase the risk of injury and fire.
3. Plugging the battery charger into an outlet that is not 100 to 240 V can cause a fire or electric shock. Do not plug the battery charger into an outlet other than 100 to 240 V. For a different style of connection, use an attachment plug adapter of the proper configuration for the power outlet if needed.
4. Do not use a damaged or modified battery pack or battery charger, which may exhibit unpredictable behavior that results in fire, explosion, or risk of injury.
5. If the supply cord to the battery charger is damaged, contact an Authorized Service Dealer to replace it.
6. Do not use non-rechargeable batteries.
7. Charge the battery pack with only the battery charger specified by Toro. A charger suitable for

- 1 type of battery pack may create a risk of fire when used with another battery pack.
8. Charge the battery pack in a well-ventilated area only.
  9. Do not expose a battery pack or battery charger to fire or to temperatures higher than 68°C (154°F).
  10. Follow all charging instructions and do not charge the battery pack outside of the temperature range specified in the instructions. Otherwise, you may damage the battery pack and increase the risk of fire.
  11. Do not operate the appliance without all guards and other safety protective devices in place and functioning properly on the appliance.
  12. Dress properly—Wear appropriate clothing, including eye protection; long pants; substantial, slip-resistant footwear; and hearing protection. Tie back long hair and do not wear loose jewelry that can get caught in moving parts. Wear a dust mask in dusty operating conditions.

### III. Operation

1. Avoid dangerous environments—Do not use the appliance in rain or in damp or wet locations.
2. Use the proper appliance for your application—Using the appliance for purposes other than its intended use could prove dangerous to you and bystanders.
3. Prevent unintentional starting—Ensure that the switch is in the OFF position before connecting to the battery pack and handling the appliance. Do not carry the appliance with your finger on the switch or energize the appliance with the switch in the ON position.
4. Operate the appliance only in daylight or good artificial light.
5. Remove the battery pack from the appliance before adjusting it or changing accessories.
6. Keep your hands and feet away from the opening and all moving parts.
7. Stop the appliance, remove the battery pack from the appliance, and wait for all movement to stop before adjusting, servicing, cleaning, or storing the appliance.
8. Remove the battery pack from the appliance whenever you leave it unattended.
9. Do not force the appliance—Allow the appliance to do the job better and safer at the rate for which it was designed.
10. Do not overreach—Keep proper footing and balance at all times, especially on slopes. Walk, never run with the appliance.

11. Stay alert—Watch what you are doing and use common sense when operating the appliance. Do not use the appliance while ill, tired, or under the influence of alcohol or drugs.
12. Ensure that the ventilation openings are kept clear of debris.
13. Do not insert any object into the opening or use the appliance with a blocked opening. Keep the opening free from dust, lint, hair, or anything else that could reduce the air flow.
14. Use extra care when using the appliance to clean stairways.
15. Under abusive conditions, the battery pack may eject liquid; avoid contact. If you accidentally come into contact with the liquid, flush with water. If the liquid contacts your eyes, seek medical help. Liquid ejected from the battery pack may cause irritation or burns.
16. CAUTION—A mistreated battery pack may present a risk of fire or chemical burn. Do not disassemble the battery pack. Do not heat the battery pack above 68°C (154°F) or incinerate it. Replace the battery pack with a genuine Toro battery pack only; using another type of battery pack may cause a fire or explosion. Keep battery packs out of the reach of children and in the original packaging until you are ready to use them.

### IV. Maintenance and Storage

1. Maintain the appliance with care—Keep it clean and in good repair for best performance and to reduce the risk of injury. Follow the instructions for lubricating and changing accessories. Keep handles dry, clean, and free from oil and grease.
2. When the battery pack is not in use, keep it away from metal objects such as paper clips, coins, keys, nails, and screws that can make a connection from 1 terminal to another. Shorting the battery terminals may cause burns or a fire.
3. Keep your hands and feet away from moving parts.
4. Stop the appliance, remove the battery pack from the appliance, and wait for all movement to stop before adjusting, servicing, cleaning, or storing the appliance.
5. Check the appliance for damaged parts—If there are damaged guards or other parts, determine whether it will operate properly. Check for misaligned and binding moving parts, broken parts, mounting, and any other condition that may affect its operation. Unless indicated in the instructions, have an Authorized Service Dealer repair or replace a damaged guard or part.
6. Keep all fasteners on the appliance tight.

7. Do not attempt to service or repair the appliance, battery pack, or battery charger except as indicated in the instructions. Have an Authorized Service Dealer perform service using identical replacement parts to ensure that the product is safely maintained.
8. Store an idle appliance indoors in a place that is dry, secure, and out of the reach of children.
9. Do not dispose of the battery in a fire. The cell may explode. Check with local codes for possible special disposal instructions.

## SAVE THESE INSTRUCTIONS

## Safety and Instructional Decals



Safety decals and instructions are easily visible to the operator and are located near any area of potential danger. Replace any decal that is damaged or missing.



140-8498

decal140-8498

1. Warning—read the *Operator's Manual*; stay away from moving parts; keep all guards and shields in place; wear hearing protection; wear eye protection; do not expose to rain.
2. Warning—keep bystanders away from the machine in all directions.
3. Thrown object hazard—keep bystanders away.
4. Do not discard.

# Setup

## Assembling the Blower

Slide the blower tube onto the blower housing. You may need to press down on the tube latch for the blower tube to lock into place (Figure 1).

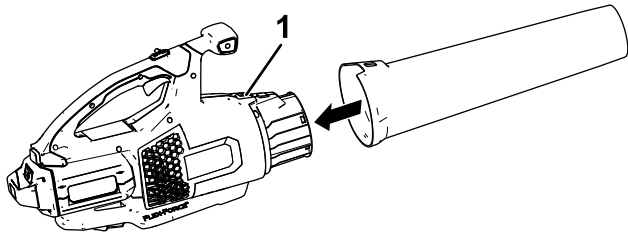


Figure 1

g273147

1. Tube latch

# Product Overview

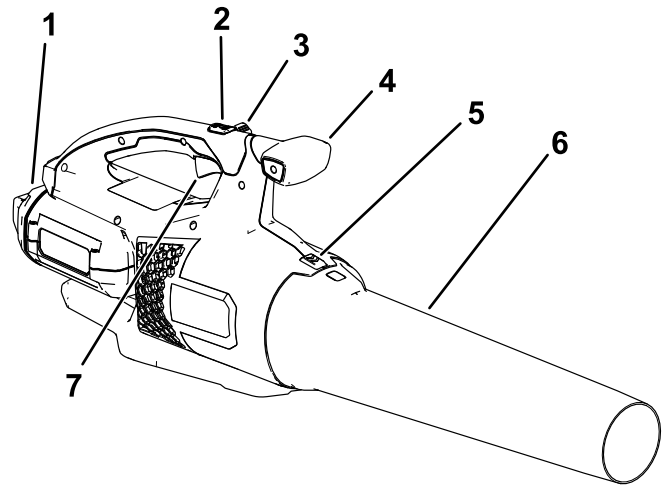


Figure 2

g335835

- 1. Battery and battery cavity
- 2. Turbo boost button
- 3. Speed lock
- 4. Handle knob
- 5. Blower tube latch
- 6. Blower tube
- 7. Variable-speed trigger

## Specifications

<b>Model</b>	51825T
<b>Rated Voltage</b>	60V DC maximum, 54 VDC nominal usage
<b>Charger Type</b>	81802 or 81805
<b>Battery Type</b>	81820, 81825, 81850, 81860, or 81875

## Appropriate Temperature Ranges

Charge/ store the battery pack at	5°C (41°F) to 40°C (104°F)*
Use the battery pack at	-30°C (-22°F) to 49°C (120°F)
Use the blower at	0°C (32°F) to 49°C (120°F)

\*Charging time will increase if you do not charge the battery within this range.

Store the tool, battery pack, and battery charger in an enclosed clean, dry area.

# Operation

## ⚠ WARNING

The blower can throw debris, possibly causing serious personal injury to you or bystanders.

- Do not blow hard objects, such as nails or bolts.
- Do not operate the blower near bystanders or pets.
- Be careful of blowing direction (i.e., blow away from bystanders, windows, automobiles, etc.). Only use as much speed as required.
- Use extra care when cleaning debris from stairs or other tight areas.
- Dress properly—Wear appropriate clothing, including eye protection; long pants; substantial, slip-resistant footwear; and hearing protection. Tie back long hair and do not wear loose jewelry that can get caught in moving parts. Wear a dust mask in dusty operating conditions.

## Starting the Blower

1. Make sure that the vents on the blower are clear of any dust and debris.
2. Align the cavity on the battery pack with the tongue in the handle housing (Figure 3).
3. Grasp the handle and push the battery pack into the handle until the latch locks into place (Figure 1).

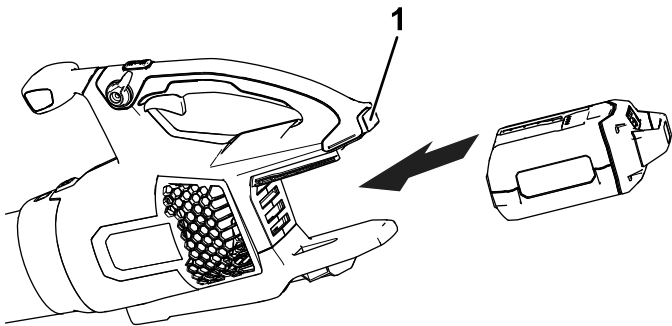


Figure 3

g273146

1. Battery latch

4. To start the blower, squeeze the variable-speed trigger (Figure 4).

**Note:** Engage the speed lock to keep the machine on without pressing the variable-speed trigger (Figure 4).

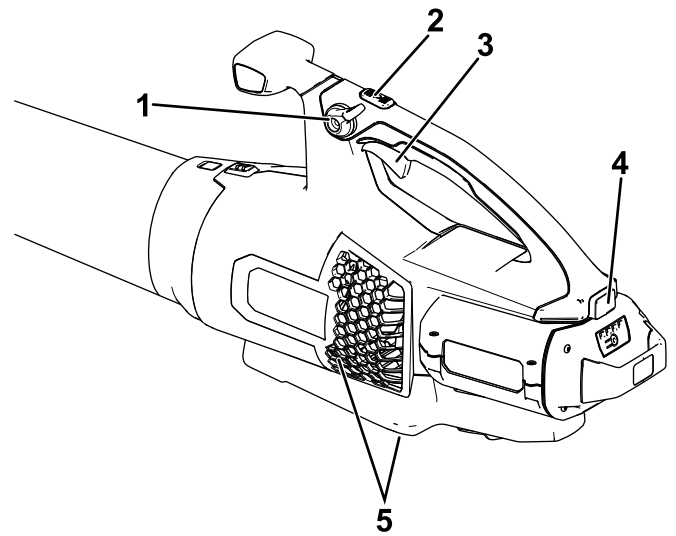


Figure 4

g267241

1. Speed lock
2. Turbo boost button
3. Variable-speed trigger
4. Battery latch
5. Blower venting areas

## Adjusting the Air Speed of the Blower

To achieve maximum performance (air speed), fully depress the variable-speed trigger, then press and hold the turbo boost button for the desired amount of time (Figure 4).

To adjust the air speed as you blow, use the variable-speed trigger (Figure 4).

To maintain the current air speed, engage the speed lock (Figure 4).

## Shutting Off the Blower

To shut off the blower, disengage the speed lock (if in use) and release the variable-speed trigger (Figure 4).

**Important:** After stopping the blower, do not leave the speed lock engaged with the battery pack in the blower.

Whenever you are not using the blower or are transporting the blower to or from the work area, remove the battery pack.



## Removing the Blower Tube

Press down on the tab latch to separate the blower tube from the blower (Figure 5).

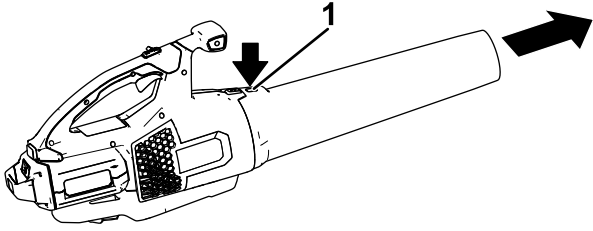


Figure 5

g273159

1. Tube latch

---

## Removing the Battery from the Blower

Press the battery latch to release the battery pack and slide the battery pack out of the blower (Figure 6).

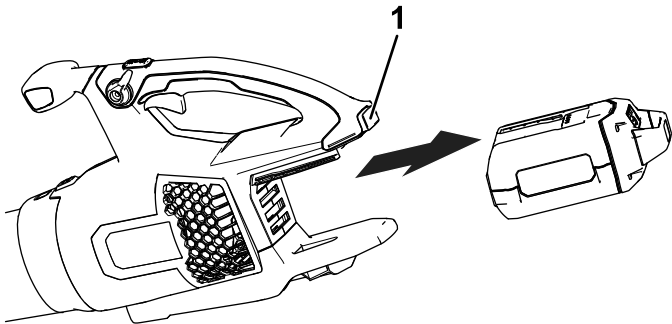


Figure 6

g267488

1. Battery latch

## Storage

**Important:** Store the tool, battery pack, and charger only in temperatures that are within the appropriate range; refer to [Specifications \(page 5\)](#).

**Important:** If you are storing the battery pack for the off-season, remove the battery pack from the tool and charge the battery pack until 2 or 3 LED indicators turn green on the battery. Do not store a fully charged or fully depleted battery. When you are ready to use the tool again, charge the battery pack until the left indicator light turns green on the charger or all 4 LED indicators turn green on the battery.

- Disconnect the product from the power supply (i.e., remove the plug from the power supply or the battery pack) and check for damage after use.
- Do not store the tool with the battery pack installed.
- Clean all foreign material from the product.
- When not in use, store the tool, battery pack, and battery charger out of the reach of children.
- Keep the tool, battery pack, and battery charger away from corrosive agents, such as garden chemicals and de-icing salts.
- To reduce the risk of serious personal injury, do not store the battery pack outside or in vehicles.
- Store the tool, battery pack, and battery charger in an enclosed clean, dry area.

# Troubleshooting

Perform only the steps described in these instructions. All further inspection, maintenance, and repair work must be performed by an authorized service center or a similarly qualified specialist if you cannot solve the problem yourself.

Problem	Possible Cause	Corrective Action
The tool does not start.	<ol style="list-style-type: none"> <li>1. The battery is not fully installed in the tool.</li> <li>2. The battery pack is not charged.</li> <li>3. The battery pack is damaged.</li> <li>4. There is another electrical problem with the tool.</li> </ol>	<ol style="list-style-type: none"> <li>1. Remove and then replace the battery into the tool, making sure that it is fully installed and latched.</li> <li>2. Remove the battery pack from the tool and charge it.</li> <li>3. Replace the battery pack.</li> <li>4. Contact an Authorized Service Dealer.</li> </ol>
The tool does not reach full power.	<ol style="list-style-type: none"> <li>1. The battery pack charge capacity is too low.</li> <li>2. The air vents are blocked.</li> </ol>	<ol style="list-style-type: none"> <li>1. Remove the battery pack from the tool and fully charge the battery pack.</li> <li>2. Clean the air vents.</li> </ol>
The tool does not run or does not run continuously.	<ol style="list-style-type: none"> <li>1. There is moisture on the leads of the battery pack.</li> <li>2. The battery is not fully installed in the tool.</li> <li>3. The battery pack is low on charge.</li> </ol>	<ol style="list-style-type: none"> <li>1. Allow the battery pack to dry or wipe it dry.</li> <li>2. Remove and then replace the battery in the tool, ensuring that it is fully installed and latched.</li> <li>3. Charge the battery pack.</li> </ol>
The speed lock does not hold when engaged.	<ol style="list-style-type: none"> <li>1. The speed lock screw is loose.</li> </ol>	<ol style="list-style-type: none"> <li>1. Tighten the speed lock screw by turning the speed lock screw <math>\frac{1}{4}</math> turn. If the speed lock still does not hold when engaged, turn the speed lock screw an additional <math>\frac{1}{4}</math> turn.</li> </ol>

## EEA/UK Privacy Notice

### **Toro's Use of Your Personal Information**

The Toro Company ("Toro") respects your privacy. When you purchase our products, we may collect certain personal information about you, either directly from you or through your local Toro company or dealer. Toro uses this information to fulfil contractual obligations - such as to register your warranty, process your warranty claim or to contact you in the event of a product recall - and for legitimate business purposes - such as to gauge customer satisfaction, improve our products or provide you with product information which may be of interest. Toro may share your information with our subsidiaries, affiliates, dealers or other business partners in connection these activities. We may also disclose personal information when required by law or in connection with the sale, purchase or merger of a business. We will never sell your personal information to any other company for marketing purposes.

### **Retention of your Personal Information**

Toro will keep your personal information as long as it is relevant for the above purposes and in accordance with legal requirements. For more information about applicable retention periods please contact [legal@toro.com](mailto:legal@toro.com).

### **Toro's Commitment to Security**

Your personal information may be processed in the US or another country which may have less strict data protection laws than your country of residence. Whenever we transfer your information outside of your country of residence, we will take legally required steps to ensure that appropriate safeguards are in place to protect your information and to make sure it is treated securely.

### **Access and Correction**

You may have the right to correct or review your personal data, or object to or restrict the processing of your data. To do so, please contact us by email at [legal@toro.com](mailto:legal@toro.com). If you have concerns about the way in which Toro has handled your information, we encourage you to raise this directly with us. Please note that European residents have the right to complain to your Data Protection Authority.



**Count on it.**

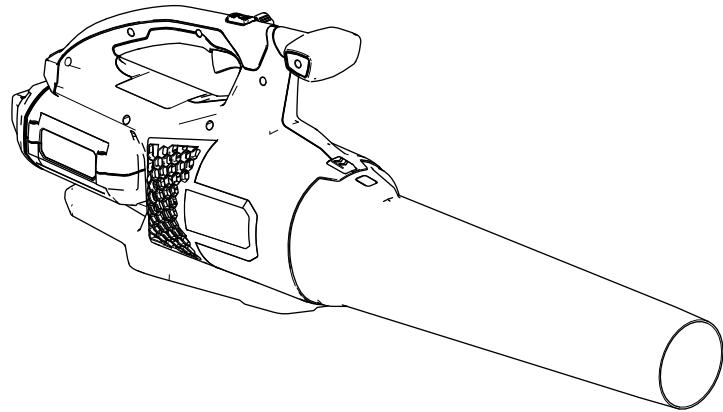


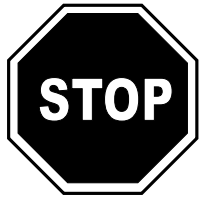
**Count on it.**

**Bedienungsanleitung**

# Flex-Force Power System™ 60V MAX Axial-Laubbläser

Modellnr. 51825T—Seriennr. 321000001 und höher





**Wenn Sie Unterstützung benötigen, sehen Sie sich erst die Anleitungsvideos auf [www.Toro.com/support](http://www.Toro.com/support) an oder wenden Sie sich an Ihren offiziellen Service-Vertragshändler, bevor Sie das Produkt zurückgeben.**

## Einführung

Dieser Laubbläser sollte von Privatleuten bei Bedarf für das Entfernen von Laub im Außenbereich verwendet werden. Er ist für die Verwendung mit den Toro Flex-Force Lithium-Ionen-Akkupackmodellen 81820, 81825, 81850, 81860 oder 81875 vorgesehen. Der zweckfremde Einsatz dieser Maschine kann für Sie und Unbeteiligte gefährlich sein.

Lesen Sie diese Informationen sorgfältig durch, um sich mit dem ordnungsgemäßen Einsatz und der Wartung des Produkts vertraut zu machen und Verletzungen und eine Beschädigung des Produkts zu vermeiden. Sie tragen die Verantwortung für einen ordnungsgemäßen und sicheren Einsatz des Produkts.

Besuchen Sie [www.Toro.com](http://www.Toro.com) für weitere Informationen, einschließlich Sicherheitstipps, Schulungsunterlagen, Zubehörinformationen, Standort eines Händlers oder Registrierung des Produkts.

**Modell 51825T enthält keinen Akku und kein Ladegerät.**

## Sicherheit

Warnung: Bei der Verwendung von elektrischen Gartengeräten sollten grundlegende Sicherheitsmaßnahmen immer eingehalten werden, um die Gefahr eines Brands, eines Stromschlags und von Verletzungen zu verringern, u. a.:

## Wichtige Sicherheits-ANWEISUNGEN

### I. Schulung

1. Der Bediener des Geräts ist für alle Unfälle oder Gefahren für Dritte und deren Eigentum verantwortlich.
2. Lassen Sie Kinder nicht mit dem Gerät, dem Akkupack oder dem Akkuladegerät spielen; das Mindestalter von Benutzern ist möglicherweise von örtlichen Vorschriften vorgegeben.
3. Lassen Sie keine Personen mit eingeschränkten physischen, sensorischen oder mentalen Fähigkeiten oder Personen ohne Erfahrung und Kenntnisse das Gerät, das Akkupack oder das Akkuladegerät verwenden, außer sie wurden ausreichend in Bezug auf die sichere Verwendung und die mit der Verwendung zusammenhängenden Gefahren unterwiesen und arbeiten unter Aufsicht.
4. Vor der Verwendung des Geräts, des Akkupacks und des Akkuladegeräts alle Anweisungen und Warnaufkleber auf diesen Produkten lesen.
5. Machen Sie sich mit den Bedienelementen und der ordnungsgemäßen Bedienung des Geräts, des Akkupacks und des Akkuladegeräts vertraut.

### II. Vorbereitung

1. Halten Sie Unbeteiligte und Kinder aus dem Arbeitsbereich fern.
2. Verwenden Sie nur ein von Toro angegebenes Akkupack. Die Verwendung von anderem Zubehör oder Anbaugeräten kann ein Verletzungs- oder Brandrisiko bergen.
3. Das Einstecken des Akkuladegeräts in eine Steckdose mit einer anderen Spannung als 100 bis 240 V, kann zu einem Brand oder Stromschlag führen. Stecken Sie das Ladegerät nicht in eine Steckdose mit einer anderen Spannung als 100 bis 240 V. Bei einem anderen Anschlussdesign kann bei Bedarf ein Steckeradapter mit der richtigen Konfiguration für die Steckdose verwendet werden.
4. Verwenden Sie keine beschädigten oder veränderten Akkupacks oder Akkuladegeräte, da sie sich unerwartet verhalten und Brand,

- Explosion oder Verletzungen verursachen können.
5. Wenn das Stromkabel des Akkuladegeräts beschädigt ist, treten Sie für Ersatz mit einem Vertragshändler in Kontakt.
  6. Verwenden Sie keine nicht aufladbaren Akkus.
  7. Laden Sie das Akkupack nur mit einem von Toro angegebenen Akkuladegerät. Ein Ladegerät, das für den einen Akkupacktyp geeignet ist, kann bei einem anderen Akkupack zu einer Brandgefahr führen.
  8. Laden Sie das Akkupack nur in einem gut belüfteten Bereich auf.
  9. Setzen Sie ein Akkupack oder ein Akkuladegerät keinem Feuer oder Temperaturen von über 68 °C aus.
  10. Befolgen Sie alle Anweisungen zum Aufladen und laden Sie das Akkupack nicht außerhalb des in der Anweisung angegebenen Temperaturbereichs. Andernfalls kann das Akkupack beschädigt werden und die Brandgefahr steigen.
  11. Bedienen Sie das Gerät niemals, wenn nicht alle Schutzvorrichtungen und Abdeckungen angebracht und funktionstüchtig sind.
  12. Geeignete Kleidung: Tragen Sie geeignete Kleidung, u. a. eine Schutzbrille, lange Hosen, rutschfeste Arbeitsschuhe und einen Gehörschutz. Binden Sie langes Haar zusammen und tragen Sie keinen losen Schmuck, der in beweglichen Teilen hängen bleiben kann. Tragen Sie in staubigen Betriebsbedingungen eine Staubmaske.
6. Halten Sie Ihre Hände und Bekleidung von der Öffnung und allen anderen beweglichen Teilen fern.
  7. Halten Sie das Gerät an, entfernen Sie das Akkupack aus dem Gerät und warten Sie, bis alle beweglichen Teile zum Stillstand gekommen sind, bevor Sie es einstellen, warten, reinigen oder lagern.
  8. Entfernen Sie das Akkupack aus dem Gerät, wenn Sie es unbeaufsichtigt lassen.
  9. Üben Sie keine Kraft auf das Gerät aus: Lassen Sie das Gerät mit der vorgesehenen Leistung laufen.
  10. Überstrecken Sie sich nicht: Achten Sie immer auf festen Stand und Balance, besonders an Abhängen. Gehen Sie mit dem Gerät. Niemals rennen.
  11. Seien Sie wachsam: Achten Sie auf das, was Sie tun und lassen Sie bei der Benutzung des Geräts gesunden Menschenverstand walten. Verwenden Sie das Gerät nicht, wenn Sie müde oder krank sind oder unter Alkohol- oder Drogeneinfluss stehen.
  12. Achten Sie darauf, dass die Belüftungsöffnungen frei von Schmutz sind.
  13. Führen Sie keinen Gegenstand in die Öffnung ein und verwenden Sie das Gerät nicht mit verstopfter Öffnung. Halten Sie die Öffnung frei von Staub, Fusseln, Haaren oder anderen Gegenständen, die den Luftstrom reduzieren können.
  14. Gehen Sie bei der Reinigung von Treppen besonders vorsichtig vor.
  15. Unter missbräuchlichen Bedingungen kann Flüssigkeit aus dem Akkupack austreten. Vermeiden Sie Kontakt. Wenn Sie die Flüssigkeit versehentlich berühren, mit Wasser spülen. Wenn die Flüssigkeit in Ihre Augen gelangt, suchen Sie einen Arzt auf. Vom Akkupack ausgestoßene Flüssigkeit kann zu Hautreizungen oder Verbrennungen führen.
  16. ACHTUNG: ein falsch gehandhabtes Akkupack kann ein Brandrisiko darstellen oder Verätzungen verursachen. Demontieren Sie das Akkupack nicht. Erwärmen Sie das Akkupack nicht über 68 °C und verbrennen Sie es nicht. Ersetzen Sie das Akkupack nur durch ein Originalakkupack von Toro. Die Verwendung eines anderen Akkupacktyps kann zu einem Brand oder einer Explosion führen. Halten Sie Akkupacks von Kindern fern und bewahren Sie sie in der Originalverpackung auf, bis Sie sie verwenden.

### III. Betrieb

1. Vermeiden Sie gefährliche Umgebungen: Verwenden Sie das Gerät nicht in Regen oder an feuchten bzw. nassen Orten.
2. Verwenden Sie das richtige Gerät für Ihre Anwendung: Der zweckfremde Einsatz dieses Geräts kann für Sie und Unbeteiligte gefährlich sein.
3. Verhindern Sie unbeabsichtigtes Starten: Stellen Sie sicher, dass sich der Schalter in der Position OFF befindet, bevor Sie das Akkupack einsetzen und das Gerät handhaben. Tragen Sie das Gerät nicht mit Ihrem Finger am Schalter und stellen Sie keine Stromversorgung her, während sich der Schalter in der Position ON befindet.
4. Setzen Sie das Gerät nur bei Tageslicht oder guter künstlicher Beleuchtung ein.
5. Entfernen Sie das Akkupack aus dem Gerät, bevor Sie es einstellen oder das Zubehör tauschen.

### IV. Wartung und Lagerung

1. Warten Sie das Gerät sorgfältig: Halten Sie es sauber und tadellos instand, um beste Leistungen zu erzielen und das Verletzungsrisiko zu minimieren. Halten Sie sich an die Anweisungen für das Einfetten und Auswechseln des Zubehörs. Halten Sie die Griffe trocken, sauber, öl- und fettfrei.
2. Halten Sie ein nicht verwendetes Akkupack von Metallobjekten fern, u. a. Briefklammern, Münzen, Schlüssel, Nägel, Schrauben, die eine Verbindung von einem Pol zu einem anderen herstellen können. Ein Kurzschließen der Akkupole kann zu Verbrennungen oder einem Brand führen.
3. Halten Sie Ihre Hände und Füße von den beweglichen Teilen fern.
4. Halten Sie das Gerät an, entfernen Sie das Akkupack aus dem Gerät und warten Sie, bis alle beweglichen Teile zum Stillstand gekommen sind, bevor Sie es einstellen, warten, reinigen oder lagern.
5. Prüfen Sie das Gerät auf beschädigte Teile: Wenn Schutzvorrichtungen oder andere Teile beschädigt sind, stellen Sie fest, ob es noch benutzbar ist. Achten Sie auf schlecht ausgerichtete und sich berührende bewegliche Teile, defekte Teile bzw. Befestigung und alle anderen Zustände, die den Betrieb beeinträchtigen könnten. Solange in den Anweisungen nicht anders angegeben, lassen Sie beschädigte Schutzvorrichtungen und Teile nur von einem autorisierten Vertragshändler reparieren bzw. austauschen.
6. Halten Sie alle Befestigungen am Gerät angezogen.
7. Versuchen Sie nicht, das Gerät, das Akkupack oder das Akkuladegerät zu warten oder zu reparieren, außer in dem in den Anweisungen angegebenen Maße. Lassen Sie die Wartung von einem Vertragshändler mit identischen Ersatzteilen durchführen, um sicherzustellen, dass das Produkt sicher instandgehalten wird.
8. Lagern Sie das Gerät drinnen an einem trockenen, sicheren Ort außerhalb der Reichweite von Kindern.
9. Entsorgen Sie den Akku nicht durch Verbrennen. Die Zelle kann explodieren. Lesen Sie örtliche Vorschriften hinsichtlich besonderer Entsorgungsanweisungen durch.

## Sicherheits- und Bedienungsschilder



Die Sicherheits- und Bedienungsaufkleber sind gut sichtbar; sie befinden sich in der Nähe der möglichen Gefahrenbereiche. Tauschen Sie beschädigte oder verloren gegangene Aufkleber aus.



140-8498

decal140-8498

1. Warnung: Lesen Sie die *Bedienungsanleitung*; berühren Sie keine beweglichen Teile; lassen Sie alle Schutzvorrichtungen und Schutzbleche montiert; tragen Sie Augen- und Gehörschutz; keinem Regen aussetzen.
2. Warnung: Halten Sie Unbeteiligte von der Maschine in allen Richtungen fern.
3. Gefahr durch ausgeworfene Gegenstände: Halten Sie Unbeteiligte fern.
4. Nicht wegwerfen.

## BEWAHREN SIE DIESE ANWEISUNGEN



# Einrichtung

## Zusammenbauen des Laubbläses

Setzen Sie das Laubbläserrohr in das Gehäuse des Laubbläses ein. Sie müssen die Rohrverriegelung für das Laubbläserrohr ggf. nach unten drücken, um sie zu arretieren (Bild 1).

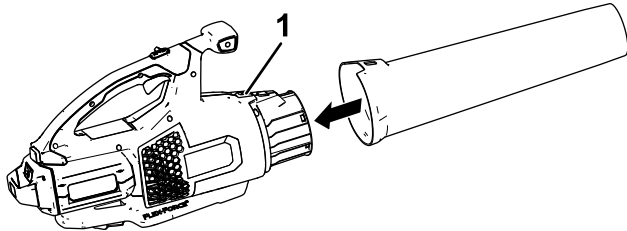


Bild 1

g273147

1. Rohrverriegelung

# Produktübersicht

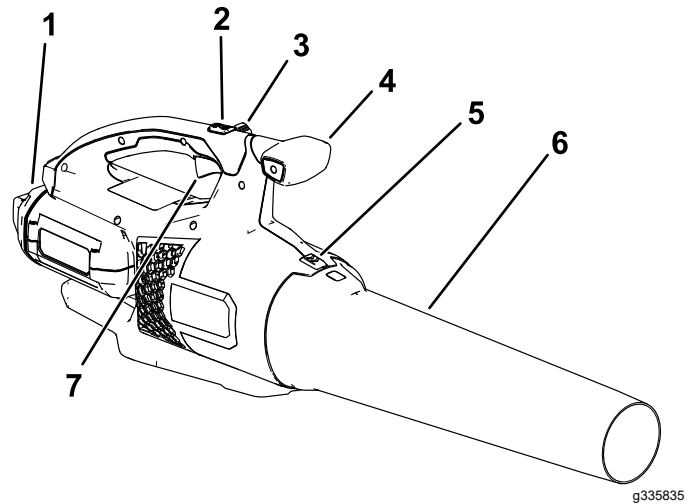


Bild 2

g335835

1. Akku und Akkufach
2. Turbotaste
3. Geschwindigkeitssperre
4. Bügelhandrad
5. Verschluss für Gebläserohr
6. Laubbläserrohr
7. Auslöser für variable Geschwindigkeit

## Technische Daten

Modell	51825T
Nennspannung	60V DC maximal, 54 VDC Nennbetrieb
Ladegerättyp	81802oder 81805
Akkutyp	81820, 81825, 81850, 81860 oder 81875

## Geeignete Temperaturbereiche

Aufladen/Lagern des Akkupacks bei	5° C bis 40° C*
Verwendung des Akkupacks bei	-30 °C bis 49 °C
Verwendung des Laubbläses bei	0°C bis 49°C

\*Die Ladezeit wird verlängert, wenn Sie den Akku nicht in diesem Bereich aufladen.

Lagern Sie das Werkzeug, das Akkupack und das Akkuladegerät an einem sauberen und trockenen Ort.

# Betrieb

## ⚠️ WARNUNG:

Der Bläser wirft ggf. Fremdkörper aus, die Sie oder Unbeteiligte schwer verletzen können.

- Blasen Sie keine harten Objekte, wie z. B. Nägel oder Schrauben.
- Setzen Sie den Bläser nicht in der Nähe von Unbeteiligten oder Haustieren ein.
- Achten Sie auf die Blasrichtung (d. h. blasen Sie weg von Personen, Fenstern, Autos usw.). Verwenden Sie nicht mehr Drehzahl als notwendig.
- Passen Sie besonders auf, wenn Sie Rückstände von Treppen oder anderen beengten Bereichen entfernen.
- Geeignete Kleidung: Tragen Sie geeignete Kleidung, u. a. eine Schutzbrille, lange Hosen, rutschfeste Arbeitsschuhe und einen Gehörschutz. Binden Sie langes Haar zusammen und tragen Sie keinen losen Schmuck, der in beweglichen Teilen hängen bleiben kann. Tragen Sie in staubigen Betriebsbedingungen eine Staubmaske.

4. Drücken Sie den Auslöser für variable Geschwindigkeit, um den Laubbläser anzulassen (Bild 4).

**Hinweis:** Aktivieren Sie die Geschwindigkeitssperre, damit die Maschine läuft, ohne dass Sie den Auslöser für die variable Geschwindigkeit drücken müssen (Bild 4).

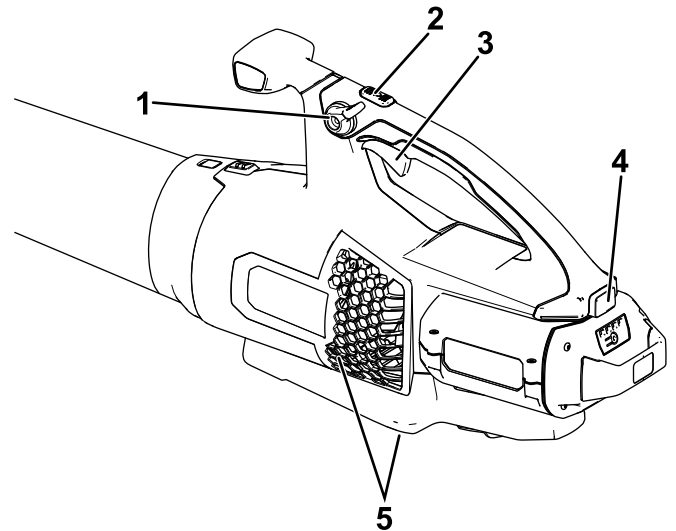


Bild 4

g267241

- |  |                                      |
|--|--------------------------------------|
| 1. Geschwindigkeitssperre                | 4. Akkuriegel                        |
| 2. Turbotaste                            | 5. Entlüftungsbereiche am Laubbläser |
| 3. Auslöser für variable Geschwindigkeit |                                      |

## Anlassen des Laubbläserturbinenmechanismus

1. Stellen Sie sicher, dass die Entlüftungen am Laubbläser keinen Staub und keine Rückstände enthalten.
2. Fluchten Sie das Loch im Akkupack mit der Zunge im Griffgehäuse aus (Bild 3).
3. Halten Sie den Griff und drücken Sie das Batteriepack in den Griff, bis der Riegel einrastet (Bild 1).

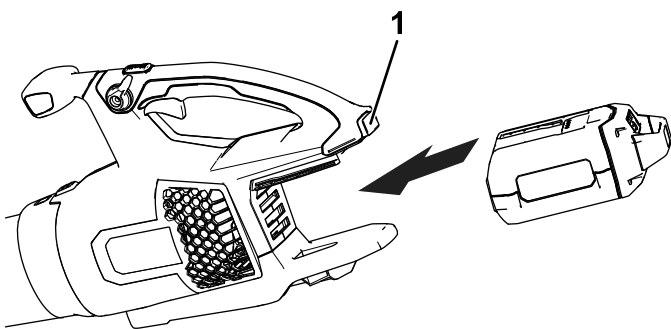


Bild 3

g273146

1. Akkuriegel

## Einstellen der Luftgeschwindigkeit des Laubbläserturbinenmechanismus

Um maximale Leistung (Luftgeschwindigkeit) zu erreichen, drücken Sie den Auslöser für variable Geschwindigkeit vollständig herunter und halten Sie dann die Turbotaste für die gewünschte Dauer gedrückt (Bild 4).

Stellen Sie mit dem Auslöser für die variable Gebläsestärke die Luftgeschwindigkeit ein (Bild 4).

Aktivieren Sie die Geschwindigkeitssperre, um die aktuelle Gebläsestärke beizubehalten (Bild 4).

## Abstellen des Laubbläserturbinenmechanismus

Deaktivieren Sie die Geschwindigkeitssperre (falls verwendet) und lassen Sie den Auslöser für die variable Geschwindigkeit los, um den Laubbläser abzustellen (Bild 4).

**Wichtig:** Lassen Sie die Geschwindigkeitssperre nach dem Stoppen des Laubblägers nicht aktiviert, wenn das Akkupack in den Laubbläser eingesetzt ist.

Wenn Sie den Laubbläser nicht verwenden oder ihn zwischen Arbeitsbereichen transportieren, entfernen Sie das Akkupack.

## Entfernen des Laubbläserrohrs

Drücken Sie die Nase nach unten, um das Laubbläserrohr aus dem Laubbläser zu nehmen (Bild 5).

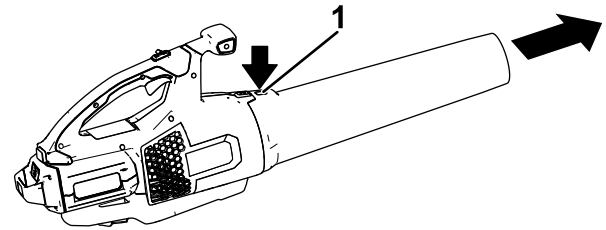


Bild 5

g273159

1. Rohrverriegelung

## Entfernen des Akkus vom Laubbläser

Drücken Sie den Akkuriegel, um das Akkupack zu lösen und ziehen Sie das Akkupack dann aus dem Laubbläser (Bild 6).

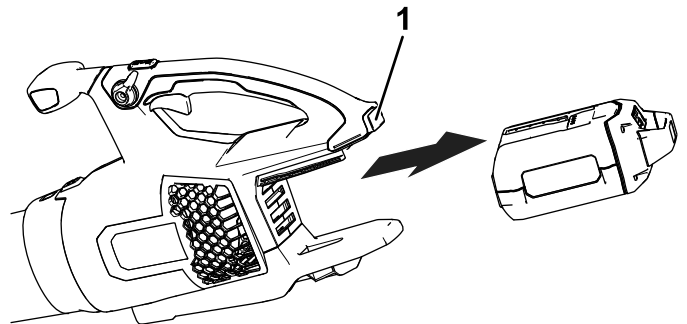


Bild 6

g267488

1. Akkuriegel

# Einlagern

**Wichtig:** Lagern Sie das Werkzeug, das Akkupack und das Ladegerät nur in Temperaturen, die im entsprechenden Bereich liegen, siehe [Technische Daten \(Seite 5\)](#).

**Wichtig:** Wenn Sie den Akkupack für die Nebensaison aufbewahren möchten, nehmen Sie den Akkupack aus dem Werkzeug und laden Sie den Akkupack auf, bis zwei oder drei LED-Anzeigen auf dem Akku grün sind. Lagern Sie ein ganz aufgeladenes oder ganz leeres Akku nicht ein. Wenn Sie das Werkzeug wieder verwenden möchten, laden Sie das Akkupack auf, bis die linke Anzeigeleuchte am Ladegerät grün leuchtet oder alle vier LED-Anzeigen am Akku grün leuchten.

- Trennen Sie das Produkt von der Stromzufuhr ab (d. h. ziehen Sie den Stecker aus der Steckdose oder entfernen Sie das Akkupack) und prüfen Sie es nach der Verwendung auf eine Beschädigung.
- Bewahren Sie das Werkzeug nicht mit eingebautem Akku auf.
- Entfernen Sie Rückstände vom Produkt.
- Lagern Sie das Werkzeug, das Akkupack und das Akkuladegerät außerhalb der Reichweite von Kindern, wenn Sie sie nicht verwenden.
- Halten Sie das Werkzeug, das Akkupack und das Akkuladegerät fern von ätzenden Materialien, wie z. B. Gartenchemikalien oder Streusalz.
- Lagern Sie das Akkupack nicht draußen oder in Fahrzeugen, um die Gefahr möglicher Verletzungen zu verringern.
- Lagern Sie das Werkzeug, das Akkupack und das Akkuladegerät an einem sauberen und trockenen Ort.

# Fehlersuche und -behebung

Führen Sie nur die in dieser Anleitung beschriebenen Schritte aus. Alle weiteren Prüfungen, Wartungsarbeiten und Reparaturen müssen von einem offiziellen Kundendienstzentrum oder einem ähnlich qualifizierten Fachmann ausgeführt werden, wenn Sie das Problem nicht selbst beheben können.

Problem	Mögliche Ursache	Behebungsmaßnahme
Das Werkzeug startet nicht.	<ol style="list-style-type: none"> <li>1. Das Akku ist nicht ganz in das Werkzeug eingesetzt.</li> <li>2. Das Akkupack ist nicht aufgeladen.</li> <li>3. Das Akkupack ist beschädigt.</li> <li>4. Das Werkzeug hat einen anderen elektrischen Defekt.</li> </ol>	<ol style="list-style-type: none"> <li>1. Nehmen Sie das Akku heraus und setzen Sie es in das Werkzeug ein; stellen Sie sicher, dass es richtig eingesetzt und verriegelt ist.</li> <li>2. Nehmen Sie das Akkupack aus dem Werkzeuge heraus und laden es auf.</li> <li>3. Tauschen Sie das Akkupack aus.</li> <li>4. Setzen Sie sich mit Ihrem offiziellen Vertragshändler in Verbindung.</li> </ol>
Das Werkzeug erreicht nicht die volle Kraft.	<ol style="list-style-type: none"> <li>1. Das Ladevermögen des Akkupacks ist zu niedrig.</li> <li>2. Die Entlüftungen sind verstopft.</li> </ol>	<ol style="list-style-type: none"> <li>1. Nehmen Sie das Akkupack aus dem Werkzeug heraus und laden es ganz auf.</li> <li>2. Reinigen Sie die Entlüftungen.</li> </ol>
Das Werkzeug läuft nicht oder läuft nicht ununterbrochen.	<ol style="list-style-type: none"> <li>1. Die Leitungen des Akkupacks sind feucht.</li> <li>2. Das Akku ist nicht ganz in das Werkzeug eingesetzt.</li> <li>3. Das Akkupack hat eine niedrige oder keine Ladung.</li> </ol>	<ol style="list-style-type: none"> <li>1. Lassen Sie das Akkupack trocknen oder trocknen Sie es mit einem Lappen.</li> <li>2. Nehmen Sie das Akkupack heraus und setzen Sie es in das Werkzeug ein; stellen Sie sicher, dass es richtig eingesetzt und verriegelt ist.</li> <li>3. Laden Sie das Akkupack auf.</li> </ol>
Die Geschwindigkeitssperre behält die Aktivierung nicht bei.	<ol style="list-style-type: none"> <li>1. Die Schraube der Geschwindigkeitssperre ist lose.</li> </ol>	<ol style="list-style-type: none"> <li>1. Drehen Sie die Schraube der Geschwindigkeitssperre um eine Viertelumdrehung, um sie anzuziehen. Wenn die Geschwindigkeitssperre die Aktivierung weiterhin nicht beibehält, ziehen Sie die Schraube der Geschwindigkeitssperre um eine weitere Viertelumdrehung an.</li> </ol>

**Hinweise:**

## **EEA/UK Datenschutzerklärung**

### **Toros Verwendung Ihrer persönlichen Informationen**

The Toro Company („Toro“) respektiert Ihre Privatsphäre. Wenn Sie unsere Produkte kaufen, können wir bestimmte persönliche Informationen über Sie sammeln, entweder direkt von Ihnen oder über Ihre lokale Toro-Niederlassung oder Ihren Händler. Toro verwendet diese Informationen, um vertragliche Verpflichtungen zu erfüllen – z. B. um Ihre Garantie zu registrieren, Ihren Garantieanspruch zu bearbeiten oder Sie im Falle eines Rückrufs zu kontaktieren – und für legitime Geschäftszwecke – z. B. um die Kundenzufriedenheit zu messen, unsere Produkte zu verbessern oder Ihnen Produktinformationen zur Verfügung zu stellen, die für Sie von Interesse sein könnten. Toro kann die Informationen im Rahmen dieser Aktivitäten an Toro Tochtergesellschaften, Händler oder Geschäftspartner weitergeben. Wir können auch persönliche Daten offenlegen, wenn dies gesetzlich vorgeschrieben ist oder im Zusammenhang mit dem Verkauf, Kauf oder der Fusion eines Unternehmens. Toro verkauft Ihre persönlichen Informationen niemals an anderen Unternehmen.

### **Speicherung Ihrer persönlichen Daten**

Toro wird Ihre persönlichen Daten so lange aufbewahren, wie es für die oben genannten Zwecke relevant ist und in Übereinstimmung mit den gesetzlichen Bestimmungen. Für weitere Informationen über die geltenden Aufbewahrungsfristen wenden Sie sich bitte an [legal@toro.com](mailto:legal@toro.com).

### **Toros Engagement für Sicherheit**

Ihre persönlichen Daten können in den USA oder einem anderen Land verarbeitet werden, in dem möglicherweise weniger strenge Datenschutzgesetze gelten als in Ihrem Wohnsitzland. Wann immer wir Ihre Daten außerhalb Ihres Wohnsitzlandes übermitteln, werden wir die gesetzlich vorgeschriebenen Schritte unternehmen, um sicherzustellen, dass angemessene Sicherheitsvorkehrungen zum Schutz Ihrer Daten getroffen werden und um sicherzustellen, dass diese sicher behandelt werden.

### **Zugang und Korrektur**

Sie haben das Recht, Ihre persönlichen Daten zu korrigieren und zu überprüfen oder der Verarbeitung Ihrer Daten zu widersprechen bzw. diese einzuschränken. Bitte kontaktieren Sie uns dazu per E-Mail unter [legal@toro.com](mailto:legal@toro.com). Wenn Sie Bedenken haben, wie Toro mit Ihren Daten umgegangen ist, bitten wir Sie, dies direkt mit uns zu besprechen. Bitte beachten Sie, dass europäische Bürger das Recht haben, sich bei Ihrer Datenschutzbehörde zu beschweren.



**Count on it.**



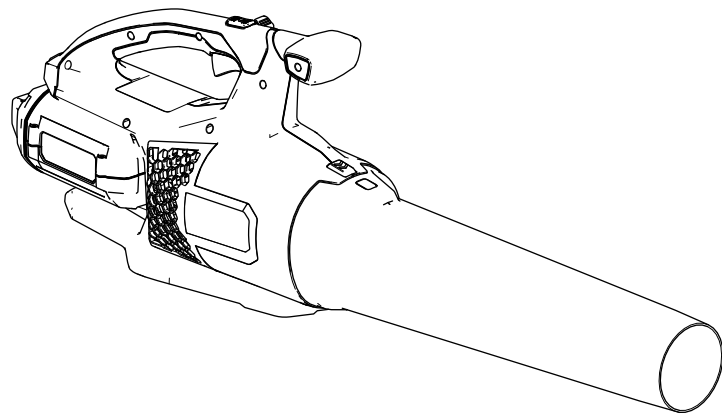


**Count on it.**

**Manual del operador**

**Flex-Force Power System™ –  
Soplador axial 60 V MAX**

Nº de modelo 51825T—Nº de serie 321000001 y superiores





Si necesita ayuda, consulte los videos instruccionales en [www.Toro.com/support](http://www.Toro.com/support) o póngase en contacto con su Servicio Técnico Autorizado antes de devolver este producto.

## Introducción

Este soplador está indicado para mover residuos similares a las hojas por parte de usuarios domésticos en espacios exteriores. Está diseñado para utilizar baterías de iones de litio Flex-Force de Toro, Modelo 81820, 81825, 81850, 81860 o 81875. El uso de este producto para otros propósitos que los previstos podría ser peligroso para usted y para otras personas.

Lea este manual detenidamente para aprender a utilizar y mantener correctamente su producto, y para evitar lesiones y daños al producto. Usted es responsable de utilizar el producto de forma correcta y segura.

Visite [www.Toro.com](http://www.Toro.com) para obtener más información, incluidos consejos de seguridad, materiales de formación, información sobre accesorios, ayuda para encontrar a un distribuidor o para registrar su producto.

**El Modelo 51825T no incluye batería ni cargador.**

# Seguridad

ADVERTENCIA – Cuando se utilizan aparatos de jardinería eléctricos, es necesario observar unas normas básicas de seguridad, incluyendo las siguientes, a fin de reducir el riesgo de incendio, descarga eléctrica y lesiones personales:

## INSTRUCCIONES DE SEGURIDAD

### INSTRUCCIONES

#### I. Formación

1. El operador del aparato es responsable de cualquier accidente o peligro que afecte a otras personas o a su propiedad.
2. No deje que los niños utilicen o jueguen con el aparato, la batería o el cargador de la batería; la normativa local puede restringir la edad del operador.
3. No permita que personas con capacidad física, sensorial o mental reducida, o sin experiencia y conocimientos, utilicen el aparato, la batería o el cargador de la batería a menos que reciban instrucciones o supervisión sobre su uso seguro y comprendan los peligros que conlleva su uso.
4. Antes de utilizar el aparato, la batería y el cargador de la batería, lea todas las instrucciones y símbolos de advertencia de estos productos.
5. Familiarícese con los controles y con el uso correcto del aparato, la batería y el cargador de la batería.

#### II. Preparación

1. Mantenga a otras personas y niños alejados de la zona de trabajo.
2. Utilice únicamente la batería especificada por Toro. El uso de otros accesorios puede aumentar el riesgo de incendio y lesiones.
3. Si se enchufa el cargador de batería en una toma que no sea de 100 a 240 V puede producirse un incendio o descargas eléctricas. No enchufe el cargador de batería en una toma que no sea de 100 a 240 V. En el caso de un estilo de conexión diferente, utilice un adaptador de enchufe de la configuración correcta para la toma de alimentación, si es necesario.
4. No utilice la batería o el cargador de la batería si están dañados o modificados, porque podrían mostrar un comportamiento impredecible con resultado de incendio, explosión o riesgo de lesiones.

5. Si el cable de alimentación del cargador de batería está dañado, póngase en contacto con el servicio técnico autorizado para sustituirlo.
6. No utilice baterías que no sean recargables.
7. Cargue la batería solo con el cargador de batería especificado por Toro. Un cargador que sea idóneo para un tipo de batería puede crear un riesgo de incendio si se utiliza con otra batería.
8. Cargue la batería únicamente en un área bien ventilada.
9. No exponga la batería o el cargador al fuego o a temperaturas superiores a 68 °C.
10. Siga todas las instrucciones de carga y no cargue la batería fuera del rango de temperatura especificado en las instrucciones. De lo contrario, puede dañar la batería y aumentar el riesgo de incendio.
11. No haga funcionar el aparato sin que todos los protectores y otros dispositivos de seguridad estén colocados en el aparato y funcionen correctamente.
12. Vestimenta adecuada – Lleve ropa adecuada, incluida protección ocular, pantalón largo, calzado resistente y antideslizante y protección auditiva. Si tiene el pelo largo, recójase, y no lleve joyas sueltas que puedan quedar atrapadas en las piezas móviles. Lleve una mascarilla en condiciones de mucho polvo.
8. Retire siempre la batería del aparato antes de dejarlo desatendido.
9. No fuerce el aparato – Deje que el aparato haga el trabajo mejor y con mayor seguridad a la velocidad para la que fue diseñado.
10. No intente alcanzar zonas demasiado alejadas – Pise firme y mantenga el equilibrio en todo momento, sobre todo en pendientes. Camine, no corra nunca con el aparato.
11. Manténgase alerta – Esté atento a lo que está haciendo y utilice el sentido común al trabajar con el aparato. No utilice el aparato si está enfermo, cansado o bajo la influencia de alcohol o drogas.
12. Asegúrese de que los orificios de ventilación están libres de residuos.
13. No introduzca ningún objeto en la abertura, ni utilice el aparato con la abertura bloqueada. Mantenga la abertura libre de polvo, pelusas, pelo o cualquier otra cosa que pudiera reducir el flujo de aire.
14. Extreme las precauciones al utilizar el aparato para limpiar escaleras.
15. En condiciones de abuso, la batería puede expulsar líquido; evite el contacto con el mismo. Si entra en contacto accidentalmente con el líquido, enjuague la zona con agua. Si el líquido entra en contacto con los ojos, busque asistencia médica. El líquido expulsado de la batería puede causar irritación o quemaduras.

### III. Uso

1. Evite los entornos peligrosos – No utilice el aparato bajo la lluvia o en lugares húmedos o mojados.
2. Utilice el aparato correcto para su aplicación – El uso del aparato para otros propósitos que los previstos podría ser peligroso para usted y para otras personas.
3. Evite el encendido accidental – Asegúrese de que el interruptor está en la posición de DESCONECTADO antes de conectar la batería y manejar el aparato. No lleve el aparato con el dedo sobre el interruptor; no energice el aparato con el interruptor en la posición de ENCENDIDO.
4. Utilice el aparato únicamente con luz natural o con una buena iluminación artificial.
5. Retire la batería del aparato antes de ajustarlo o cambiar de accesorio.
6. Mantenga las manos y los pies alejados de la abertura y de todas las piezas en movimiento.
7. Pare el aparato, retire la batería del aparato y espere a que se detenga todo movimiento antes de ajustar, revisar, limpiar o almacenar el aparato.

16. PRECAUCIÓN – Una batería utilizada de forma incorrecta puede presentar riesgo de incendio o de quemadura química. No desmonte la batería. No caliente la batería a más de 68 °C ni la incinere. Sustituya la batería únicamente con una batería Toro genuina; el uso de otro tipo de batería podría provocar un incendio o una explosión. Mantenga las baterías fuera del alcance de los niños y en el embalaje original hasta que vaya a utilizarlas.

### IV. Mantenimiento y almacenamiento

1. No descuide el mantenimiento del aparato – Debe estar siempre limpio y en buenas condiciones de uso para obtener el mejor rendimiento y para reducir el riesgo de lesiones. Siga las instrucciones al lubricar y cambiar de accesorio. Mantenga las empuñaduras secas, limpias y libres de aceite y grasa.
2. Cuando la batería no esté en uso, manténgala alejada de objetos metálicos, como por ejemplo clips, monedas, llaves, clavos y tornillos que podrían hacer una conexión entre un terminal y otro. Un cortocircuito entre los terminales de la batería puede causar quemaduras o un incendio.

3. Mantenga las manos y los pies alejados de las piezas en movimiento.
4. Pare el aparato, retire la batería del aparato y espere a que se detenga todo movimiento antes de ajustar, revisar, limpiar o almacenar el aparato.
5. Inspeccione el aparato en busca de piezas dañadas – Si hay protectores u otras piezas dañadas, determine si funciona correctamente. Compruebe que las piezas móviles están correctamente alineadas y que se mueven libremente sin agarrotarse, que están correctamente montadas, que no hay piezas rotas, y que no hay otras circunstancias que pudieran afectar a su uso. A menos que se indique lo contrario en las instrucciones, haga que un Servicio Técnico Autorizado repare o sustituya cualquier protector o componente dañado.
6. Mantenga firmemente apretadas todas las fijaciones del aparato.
7. No intente reparar o mantener el aparato, la batería o el cargador de la batería, salvo con arreglo a lo indicado en las instrucciones. Haga que un Servicio Técnico Autorizado realice el mantenimiento usando piezas de repuesto idénticas para mantener el nivel de seguridad del producto.
8. Cuando el aparato no se está utilizando, guárdelo en un lugar seco y seguro, fuera del alcance de los niños.
9. No tire la batería usada al fuego. Las celdas pueden explotar. Compruebe si la normativa local contiene alguna instrucción especial sobre la eliminación de las baterías.

## GUARDE ESTAS INSTRUCCIONES

## Pegatinas de seguridad e instrucciones



Las pegatinas de seguridad e instrucciones están a la vista del operador y están ubicadas cerca de cualquier zona de peligro potencial. Sustituya cualquier pegatina que esté dañada o que falte.



140-8498

decal140-8498

1. Advertencia – lea el *Manual del operador*; no se acerque a las piezas en movimiento; mantenga colocados todos los protectores y defensas; lleve protección auditiva; lleve protección ocular; no exponga a la lluvia.
2. Advertencia – mantenga a otras personas alejadas de la máquina en todas las direcciones.
3. Peligro de objetos arrojados – mantenga alejadas a otras personas.
4. No desechar.

# Montaje

## Montaje del soplador

Deslice el tubo del soplador sobre la carcasa del soplador. Puede ser necesario presionar hacia abajo sobre el cierre del tubo para que el tubo del soplador encaje en su sitio (Figura 1).

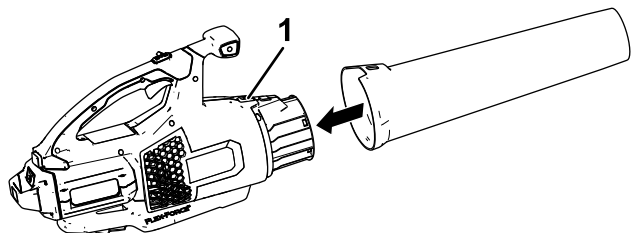
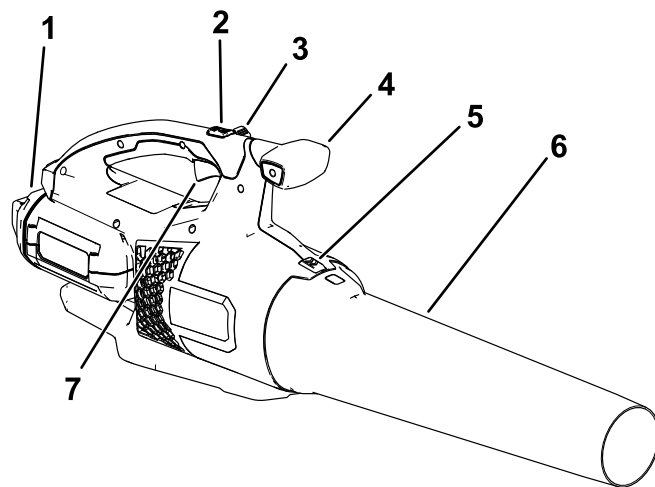


Figura 1

g273147

1. Cierre del tubo

# El producto



g335835

Figura 2

1. Batería y hueco de la batería
2. Botón de potencia turbo
3. Bloqueo de velocidad
4. Pomo
5. Enganche del tubo del soplador
6. Tubo del soplador
7. Gatillo de velocidad variable

## Especificaciones

Modelo	51825T
Voltaje nominal	Máximo 60 VCC , uso nominal 54 V CC
Tipo de cargador	81802o 81805
Tipo de batería	81820, 81825, 81850, 81860 o 81875

### Intervalos de temperatura adecuados

Cargue/guarde la batería a	5 °C y 40 °C*
Utilice la batería a	-30 °C y 49 °C
Utilice el soplador a	0 °C a 49 °C

\* El tiempo de carga será mayor si la temperatura no está en este intervalo durante la carga.

Guarde la herramienta, la batería y el cargador en un lugar cerrado, limpio y seco.

# Operación

## ⚠ ADVERTENCIA

El soplador puede arrojar residuos, que podrían causar graves lesiones personales a usted o a otras personas.

- No sople objetos duros como clavos o pernos.
- No utilice el soplador cerca de otras personas o animales domésticos.
- Esté atento al sentido del chorro de aire (por ejemplo, no lo dirija hacia otras personas, ventanas, automóviles, etc.). Utilice la mínima velocidad posible.
- Extreme el cuidado al soplar residuos en escaleras u otros lugares de espacio reducido.
- Vestimenta adecuada – Lleve ropa adecuada, incluida protección ocular, pantalón largo, calzado resistente y antideslizante y protección auditiva. Si tiene el pelo largo, recójase, y no lleve joyas sueltas que puedan quedar atrapadas en las piezas móviles. Lleve una mascarilla en condiciones de mucho polvo.

## Cómo arrancar el soplador

1. Compruebe que los orificios de ventilación del soplador están libres de polvo y residuos.
2. Alinee el hueco de la batería con la lengüeta del alojamiento de la empuñadura (Figura 3).
3. Sujete la empuñadura e introduzca la batería en la empuñadura hasta que el cierre se bloquee en su sitio (Figura 1).

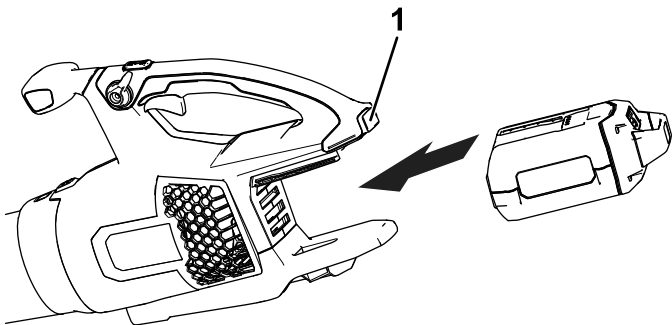


Figura 3

g273146

1. Cierre de la batería

4. Para arrancar el soplador, apriete el gatillo de velocidad variable (Figura 4).

**Nota:** Active el bloqueo de velocidad para mantener la máquina encendida sin tener que apretar el gatillo de velocidad variable (Figura 4).

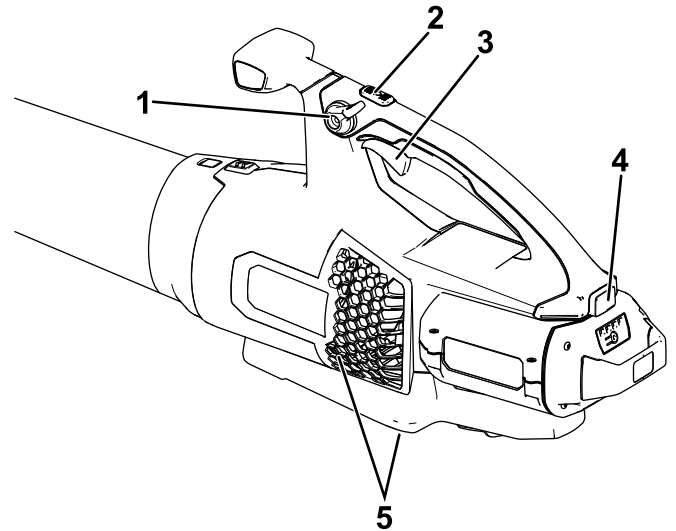


Figura 4

g267241

1. Bloqueo de velocidad
2. Botón de potencia turbo
3. Gatillo de velocidad variable
4. Cierre de la batería
5. Zonas de ventilación del soplador

## Cómo ajustar la velocidad del aire del soplador

Para obtener el máximo rendimiento (velocidad de aire), presione a fondo el gatillo de velocidad variable, luego mantenga pulsado el botón de potencia turbo durante el tiempo deseado (Figura 4).

Para ajustar la velocidad del aire mientras sopla, utilice el gatillo de velocidad variable (Figura 4).

Para mantener la velocidad actual del aire, active el bloqueo de velocidad (Figura 4).

## Cómo apagar el soplador

Para apagar el soplador, desactive el bloqueo de velocidad (si lo está usando) y suelte el gatillo de velocidad variable (Figura 4).

**Importante:** Después de apagar el soplador, no deje puesto el bloqueo de velocidad con la batería instalada en el soplador.

Cuando no esté utilizando el soplador o lo esté transportando hacia o desde el área de trabajo, retire la batería.

# Desmontaje del tubo del soplador

Presione hacia abajo sobre el cierre para separar el tubo del soplador del soplador (Figura 5).

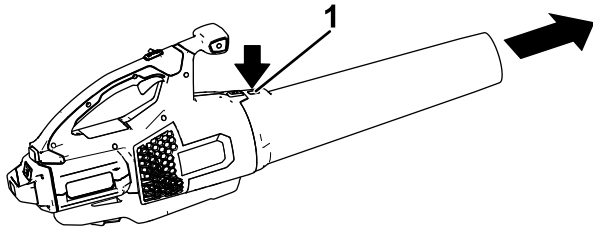


Figura 5

g273159

1. Cierre del tubo

# Cómo retirar la batería del soplador

Presione el cierre de la batería para liberar la batería, y retire la batería del soplador (Figura 6).

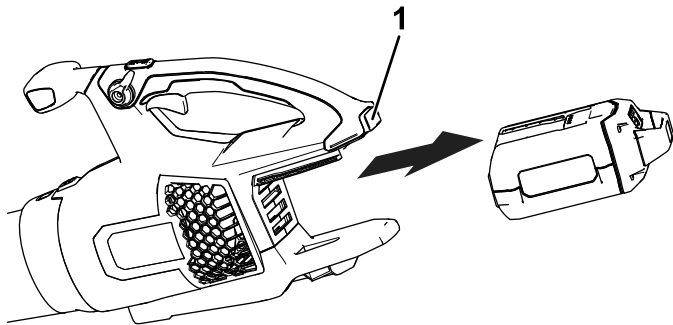


Figura 6

g267488

1. Cierre de la batería

# Almacenamiento

**Importante:** Almacene la herramienta, la batería y el cargador solo a temperaturas que estén dentro del intervalo apropiado; consulte [Especificaciones \(página 5\)](#).

**Importante:** Si va a almacenar la batería fuera de temporada, retire la batería de la herramienta y cargue la batería hasta que 2 o 3 de los indicadores LED de la batería cambien a verde. No almacene la batería completamente cargada ni completamente descargada. Antes de volver a usar la herramienta, cargue la batería hasta que se encienda el indicador izquierdo del cargador en verde, o hasta que los 4 indicadores LED de la batería se vuelvan verdes.

- Desconecte el producto del suministro de energía (es decir, retire el enchufe del suministro de energía o la batería) y compruebe si hay daños después del uso.
- No guarde la herramienta con la batería instalada.
- Limpie cualquier material extraño del producto.
- Cuando no se estén utilizando, almacene la herramienta, la batería y el cargador de la batería fuera del alcance de los niños.
- Mantenga la herramienta, la batería y el cargador de la batería alejados de agentes corrosivos como productos químicos de jardín o sal para deshielo.
- Para reducir el riesgo de lesiones personales graves, no almacene la batería en el exterior o en un vehículo.
- Guarde la herramienta, la batería y el cargador en un lugar cerrado, limpio y seco.

# Solución de problemas

Realice solo los pasos descritos en estas instrucciones. Cualquier otro trabajo de inspección, mantenimiento o reparación debe ser realizado por un Servicio Técnico Autorizado o por un especialista autorizado si no puede solucionar el problema usted mismo.

Problema	Posible causa	Acción correctora
La herramienta no arranca.	<ol style="list-style-type: none"><li>1. La batería no está correctamente instalada en la herramienta.</li><li>2. La batería no está cargada.</li><li>3. La batería está dañada.</li><li>4. Hay otro problema eléctrico con la herramienta.</li></ol>	<ol style="list-style-type: none"><li>1. Retire y luego vuelva a colocar la batería en la herramienta, asegurándose de que está completamente instalada y bloqueada.</li><li>2. Retire la batería de la herramienta y cárguela.</li><li>3. Sustituya la batería.</li><li>4. Póngase en contacto con el Servicio Técnico Autorizado.</li></ol>
La herramienta no alcanza la potencia completa.	<ol style="list-style-type: none"><li>1. La batería está casi descargada.</li><li>2. Los orificios de ventilación están obstruidos.</li></ol>	<ol style="list-style-type: none"><li>1. Retire la batería de la herramienta y cargue la batería completamente.</li><li>2. Limpie los orificios de ventilación.</li></ol>
La herramienta no funciona o funciona de forma intermitente.	<ol style="list-style-type: none"><li>1. Hay humedad en los cables de la batería.</li><li>2. La batería no está correctamente instalada en la herramienta.</li><li>3. La batería tiene poca carga.</li></ol>	<ol style="list-style-type: none"><li>1. Deje que la batería se seque o séquela con un paño.</li><li>2. Retire y luego vuelva a colocar la batería en la herramienta, asegurándose de que está completamente instalada y bloqueada.</li><li>3. Cargue la batería.</li></ol>
El bloqueo de velocidad se desactiva solo.	<ol style="list-style-type: none"><li>1. El tornillo del bloqueo de velocidad no está bien apretado.</li></ol>	<ol style="list-style-type: none"><li>1. Apriete el tornillo del bloqueo de velocidad girándolo <math>\frac{1}{4}</math> de vuelta. Si el bloqueo de velocidad aún no se mantiene activado, gire el tornillo del bloqueo de velocidad <math>\frac{1}{4}</math> de vuelta más.</li></ol>



## **Aviso sobre privacidad en el EEE/Reino Unido**

### **Uso de sus datos personales por parte de Toro**

The Toro Company ("Toro") respeta su privacidad. Al adquirir nuestros productos, podemos recopilar ciertos datos personales sobre usted, ya sea de forma directa a través de usted o de nuestra empresa o nuestro representante local de Toro. Toro utiliza estos datos para cumplir obligaciones contractuales, como registrar su garantía, procesar una reclamación de garantía o ponerse en contacto con usted en caso de la retirada de un producto, así como para fines comerciales legítimos, como valorar la satisfacción de los clientes, mejorar nuestros productos u ofrecerle información de productos que puedan ser de su interés. Toro puede compartir sus datos con filiales, concesionarios u otros socios comerciales de Toro en relación con cualquiera de las actividades antes mencionadas. También podemos revelar sus datos personales cuando se requiera por ley o en relación con la venta, la adquisición o la fusión de una empresa. No venderemos sus datos personales a ninguna otra empresa con fines de marketing.

### **Retención de sus datos personales**

Toro conservará sus datos personales hasta que sean relevantes para las finalidades indicadas anteriormente y según los requisitos legales. Para obtener más información sobre los periodos de retención aplicables, póngase en contacto con [legal@toro.com](mailto:legal@toro.com).

### **Compromiso de Toro con la seguridad**

Sus datos personales se pueden procesar en Estados Unidos o en otro país que aplique leyes de protección de datos menos estrictas que las de su país de residencia. Cuando transfiramos sus datos personales fuera de su país de residencia, daremos los pasos legalmente pertinentes para garantizar que se aplican las medidas adecuadas para proteger su información y para garantizar que se trata con seguridad.

### **Acceso y corrección**

Puede tener derecho a corregir o revisar sus datos personales, o bien a negarse al procesamiento de sus datos o restringirlo. Para ello, póngase en contacto con nosotros en la dirección [legal@toro.com](mailto:legal@toro.com). Si tiene alguna preocupación acerca de cómo ha gestionado Toro su información, le instamos a que se ponga en contacto con nosotros directamente. Recuerde que los residentes europeos tienen derecho a presentar quejas ante la autoridad responsable de la protección de datos.



**Count on it.**

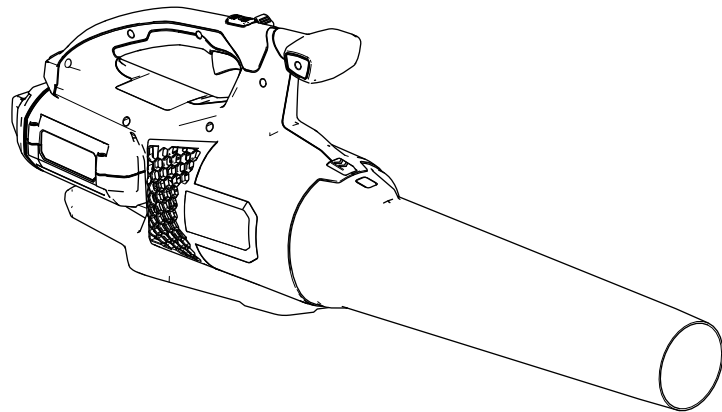


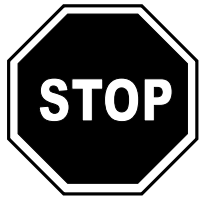
**Count on it.**

**Manuel de l'utilisateur**

**Souffleur axial Flex-Force Power System™ 60 V MAX**

N° de modèle 51825T—N° de série 321000001 et suivants





**Si vous avez besoin d'aide, visionnez les vidéos d'instruction sur [www.Toro.com/support](http://www.Toro.com/support) ou contactez votre concessionnaire-réparateur agréé avant de renvoyer ce produit.**

## Introduction

Ce souffleur est destiné au grand public et permet de déblayer les débris assimilables aux feuilles en extérieur, selon les besoins. Il est conçu pour fonctionner avec une batterie ion-lithium Toro Flex-Force modèle 81820, 81825, 81850, 81860 ou 81875. L'utilisation de ce produit à d'autres fins que celle prévue peut être dangereuse pour vous-même et toute personne à proximité.

Lisez attentivement cette notice pour apprendre comment utiliser et entretenir correctement votre produit, et éviter ainsi de l'endommager ou de vous blesser. Vous êtes responsable de l'utilisation sûre et correcte du produit.

Rendez-vous sur [www.Toro.com](http://www.Toro.com) pour plus d'informations, y compris des conseils de sécurité, des documents de formation, des renseignements concernant un accessoire, pour obtenir l'adresse d'un concessionnaire ou pour enregistrer votre produit.

**Le modèle 51825T ne comprend pas de batterie ni de chargeur.**

## Sécurité

**ATTENTION** – Quand vous utilisez des outils de jardinage électriques, respectez toujours les précautions élémentaires pour réduire les risques d'incendie, de choc électrique et de blessure, notamment :

### IMPORTANTES CONSIGNES DE SÉCURITÉ

#### I. Formation à l'utilisation

1. L'utilisateur de l'appareil est responsable des accidents et dommages causés aux autres personnes et à leurs possessions.
2. N'autorisez pas les enfants à jouer avec l'appareil, la batterie ou le chargeur de batterie ; certaines législations imposent un âge minimum pour l'utilisation de ce type d'appareil.
3. N'autorisez aucune personne présentant des aptitudes physiques, sensorielles ou mentales réduites, ou encore manquant d'expérience ou de connaissances à utiliser l'appareil, la batterie ou le chargeur de batterie, à moins qu'elles soient supervisées et formées à l'utilisation sécuritaire de l'appareil et qu'elles comprennent les risques impliqués.
4. Avant d'utiliser l'appareil, la batterie et le chargeur de batterie, lisez toutes les instructions et mises en garde qui apparaissent sur ces produits.
5. Familiarisez-vous avec les commandes et le maniement correct de l'appareil, de la batterie et du chargeur de batterie.

#### II. Avant d'utiliser la machine

1. N'admettez personne, notamment les enfants, dans le périmètre de travail.
2. Utilisez uniquement la batterie spécifiée par Toro. L'utilisation d'autres accessoires et outils peut accroître le risque de blessure et d'incendie.
3. Vous pouvez causer un incendie ou un choc électrique si vous branchez le chargeur de batterie à une prise qui n'est pas de 100 à 240 V. Ne branchez pas le chargeur de batterie à une prise autre que 100 à 240 V. Pour un type de branchement différent, utilisez un adaptateur correctement configuré pour la prise, le cas échéant.
4. N'utilisez pas la batterie ou le chargeur s'ils sont endommagés ou modifiés, car leur comportement pourrait être imprévisible et

- causer un incendie, une explosion ou des blessures.
5. Si le cordon d'alimentation du chargeur est endommagé, adressez-vous à un concessionnaire-réparateur agréé pour le remplacer.
  6. N'utilisez pas de batteries non rechargeables.
  7. Chargez la batterie uniquement avec le chargeur spécifié par Toro. Un chargeur convenant à un type de batterie peut créer un risque d'incendie s'il est utilisé avec une autre batterie.
  8. Ne chargez la batterie que dans un endroit bien ventilé.
  9. N'exposez pas la batterie ou le chargeur au feu ou à des températures supérieures à 68 °C.
  10. Respectez toutes les instructions de charge et ne chargez pas la batterie hors de la plage de température spécifiée dans les instructions. Vous risquez sinon d'endommager la batterie et d'accroître le risque d'incendie.
  11. N'utilisez pas l'appareil s'il manque des capots ou d'autres dispositifs de protection, ou s'ils sont défectueux.
  12. Portez des vêtements adéquats – Portez une tenue adaptée, y compris une protection oculaire, un pantalon, des chaussures solides à semelle antidérapante et des protecteurs d'oreilles. Si vos cheveux sont longs, attachez-les et ne portez pas de bijoux pendants qui pourraient se prendre dans les pièces mobiles. Portez un masque antipoussière si l'atmosphère est poussiéreuse.
  6. N'approchez jamais les mains ou les pieds de l'ouverture et des pièces mobiles.
  7. Arrêtez l'appareil, retirez la batterie et attendez l'arrêt de tout mouvement avant de régler, réviser, nettoyer ou ranger l'appareil.
  8. Retirez la batterie de l'appareil chaque fois que vous le laissez sans surveillance.
  9. Ne faites pas forcer l'appareil – l'appareil sera plus performant et plus sûr si vous l'utilisez à la vitesse pour laquelle il est prévu.
  10. Ne travaillez pas trop loin devant vous – gardez toujours les pieds bien posés à terre et faites en sorte de ne pas perdre l'équilibre, en particulier sur les pentes. Avancez toujours à une allure normale avec l'appareil, ne courez pas.
  11. Restez vigilant – concentrez-vous sur ce que vous faites et faites preuve de bon sens lorsque vous utilisez l'appareil. N'utilisez pas l'appareil si vous êtes malade ou fatigué(e), ni sous l'emprise de l'alcool, de drogues ou de médicaments.
  12. Vérifiez toujours que les prises d'air sont dégagées.
  13. N'insérez aucun objet dans l'ouverture et n'utilisez pas l'appareil si l'ouverture est bouchée. Gardez l'ouverture libre de poussière, peluches, cheveux ou de toute autre saleté qui pourrait gêner la circulation de l'air.
  14. Faites preuve d'une extrême prudence quand vous utilisez l'appareil pour nettoyer les marches d'un escalier.
  15. Dans des conditions d'utilisation abusive, du liquide peut jaillir hors de la batterie ; évitez tout contact. En cas de contact accidentel avec le liquide, rincez à l'eau. En cas de contact du liquide avec les yeux, consultez un médecin. Le liquide éjecté de la batterie peut causer des irritations ou des brûlures.

### III. Utilisation

1. Évitez les environnements dangereux – N'utilisez pas l'appareil sous la pluie ou dans des endroits humides ou détrempés.
2. Utilisez l'appareil correct pour la tâche à accomplir – L'utilisation de l'appareil à d'autres fins que celle qui est prévue peut être dangereuse pour vous-même et toute personne à proximité.
3. Évitez tout démarrage accidentel – Assurez-vous que l'interrupteur est en position ARRÊT avant de brancher la batterie et de manipuler l'appareil. Ne gardez pas le doigt posé sur l'interrupteur quand vous transportez l'appareil et ne mettez pas l'appareil sous tension quand l'interrupteur est en position MARCHÉ.
4. Utilisez l'appareil seulement à la lumière du jour ou sous un bon éclairage artificiel.
5. Retirez la batterie de l'appareil avant de le régler ou de changer d'accessoire.
6. PRUDENCE – la batterie peut présenter un risque d'incendie ou de brûlure chimique en cas de mauvais traitement. Ne démontez pas la batterie. N'exposez pas la batterie à une température supérieure à 68 °C et ne l'incinerez pas. Remplacez toujours la batterie par une batterie Toro d'origine ; l'utilisation de tout autre type de batterie peut entraîner un incendie ou une explosion. Conservez les batteries hors de la portée des enfants et dans leur emballage d'origine jusqu'au moment de les utiliser.

### IV. Entretien et remisage

1. Entretenez l'appareil correctement – Gardez-le propre et en bon état pour assurer des performances optimales et réduire les risques de blessure. Suivez les instructions de graissage et

de remplacement des accessoires. Gardez les poignées sèches et propres, et exemptes d'huile et de graisse.

2. Lorsque la batterie ne sert pas, rangez-la à l'écart d'objets métalliques tels que trombones, pièces de monnaie, clés, clous ou vis qui pourraient relier les bornes entre elles. Un court-circuit aux bornes de la batterie peut causer des brûlures ou un incendie.
3. N'approchez jamais les mains ou les pieds des pièces mobiles.
4. Arrêtez l'appareil, retirez la batterie et attendez l'arrêt de tout mouvement avant de régler, réviser, nettoyer ou ranger l'appareil.
5. Vérifiez si des pièces de l'appareil sont endommagées – si vous constatez que des capots, ou autres pièces, sont endommagés, déterminez si cela gênera le bon fonctionnement de l'appareil. Vérifiez qu'aucune des pièces mobiles n'est mal alignée ou grippée, et qu'aucune pièce n'est cassée, mal fixée ou présente tout autre défaut qui pourrait affecter son fonctionnement. Sauf indication contraire dans les instructions, faites réparer ou remplacer les protections ou les pièces endommagées par un concessionnaire-réparateur agréé.
6. Maintenez toutes les fixations de l'appareil bien serrées.
7. Respectez toujours les instructions pour réviser ou réparer l'appareil, la batterie ou le chargeur de batterie. Pour assurer l'entretien sécuritaire du produit, confiez-le à un concessionnaire-réparateur agréé qui utilise exclusivement des pièces de rechange identiques.
8. Lorsque l'appareil ne sert pas, rangez-le dans un local sûr et sec, et hors de la portée des enfants.
9. Ne jetez pas la batterie au feu. L'élément pourrait exploser. Vérifiez si la réglementation locale impose des procédures de mise au rebut spéciales.

## CONSERVEZ CES INSTRUCTIONS

## Autocollants de sécurité et d'instruction



Des autocollants de sécurité et des instructions bien visibles par l'opérateur sont placés près de tous les endroits potentiellement dangereux. Remplacez tout autocollant endommagé ou manquant.



140-8498

decal140-8498

1. Attention – lisez le *Manuel de l'utilisateur* ; ne vous approchez pas des pièces mobiles ; gardez toutes les protections et tous les capots en place ; portez une protection auditive ; portez une protection oculaire ; n'exposez pas l'appareil à la pluie.
2. Attention – tenez tout le monde à bonne distance de la machine, dans toutes les directions.
3. Risque de projection d'objets – n'autorisez personne à s'approcher.
4. Ne pas mettre au rebut.

# Mise en service

## Assemblage du souffleur

Glissez le tube du souffleur sur le carter du souffleur. Vous devrez éventuellement appuyer sur le verrou du tube du souffleur pour le bloquer en position (Figure 1).

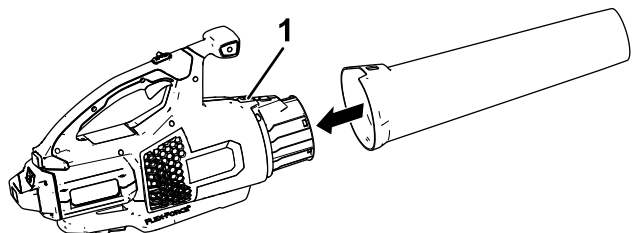


Figure 1

g273147

1. Verrou de tube

## Vue d'ensemble du produit

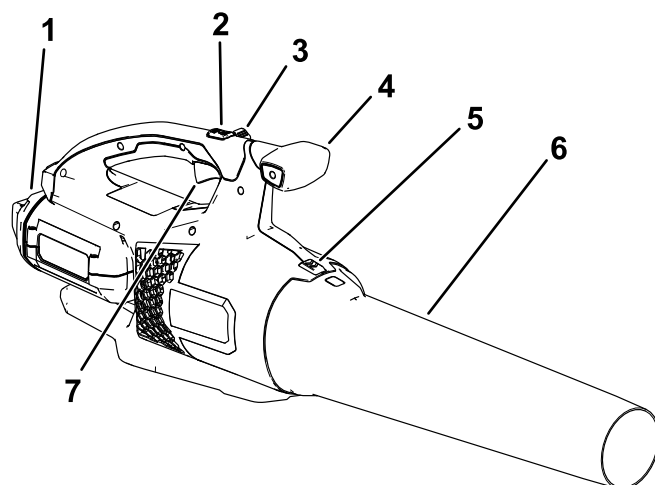


Figure 2

g335835

- |                                     |                                 |
|-------------------------------------|---------------------------------|
| 1. Batterie et creux de la batterie | 5. Verrou du tube de souffleur  |
| 2. Bouton Turbo Boost               | 6. Tube de souffleur            |
| 3. Blocage de vitesse               | 7. Gâchette de vitesse variable |
| 4. Bouton de la poignée             |                                 |

## Caractéristiques techniques

Modèle	51825T
Tension nominale	60 V c.c. maximum, 54 V c.c. utilisation nominale
Type de chargeur	81802ou 81805
Type de batterie	81820, 81825, 81850, 81860 ou 81875

### Plages de températures adéquates

Charger/ranger la batterie entre	5 °C et 40 °C*
Utiliser la batterie entre	-30 °C et 49 °C
Utilisez le souffleur entre	0 °C et 49 °C

\*Le temps de charge sera plus long en dehors de cette plage de température.

Rangez l'outil, la batterie et le chargeur dans un lieu fermé, propre et sec.

# Utilisation

## ⚠ ATTENTION

Le souffleur peut projeter des débris et vous blesser gravement, ainsi que toute personne à proximité.

- Ne soufflez pas sur des objets durs du type clous ou boulons.
- N'utilisez pas le souffleur près de personnes ou d'animaux.
- Attention à la direction du soufflage (ne soufflez pas en direction de personnes, fenêtres, automobiles, etc.). Utilisez uniquement la vitesse nécessaire.
- Soyez particulièrement prudent lorsque vous nettoyez des escaliers ou d'autres endroits peu accessibles.
- Portez des vêtements adéquats – Portez une tenue adaptée, y compris une protection oculaire, un pantalon, des chaussures solides à semelle antidérapante et des protecteurs d'oreilles. Si vos cheveux sont longs, attachez-les et ne portez pas de bijoux pendants qui pourraient se prendre dans les pièces mobiles. Portez un masque antipoussière si l'atmosphère est poussiéreuse.

## Démarrage du souffleur

1. Assurez-vous que les événements du souffleur sont exempts de toute poussière et tout débris.
2. Alignez le creux de la batterie sur la languette du corps de la poignée (Figure 3).
3. Tenez la poignée et poussez la batterie à l'intérieur jusqu'à ce que le verrou s'enclenche en position (Figure 1).

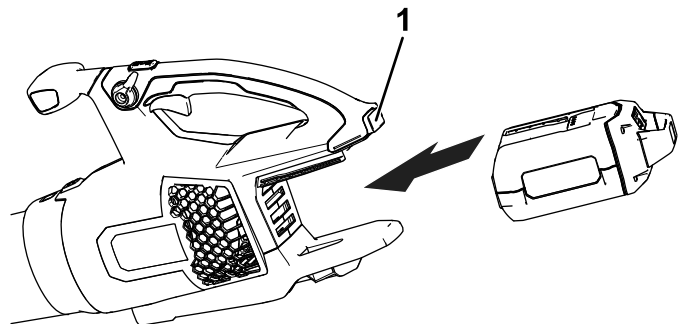


Figure 3

g273146

1. Verrou de batterie



4. Pour mettre le souffleur en marche, serrez la gâchette de vitesse variable (Figure 4).

**Remarque:** Enclenchez le blocage de vitesse pour laisser la machine tourner sans avoir à appuyer sur la gâchette de vitesse variable (Figure 4).

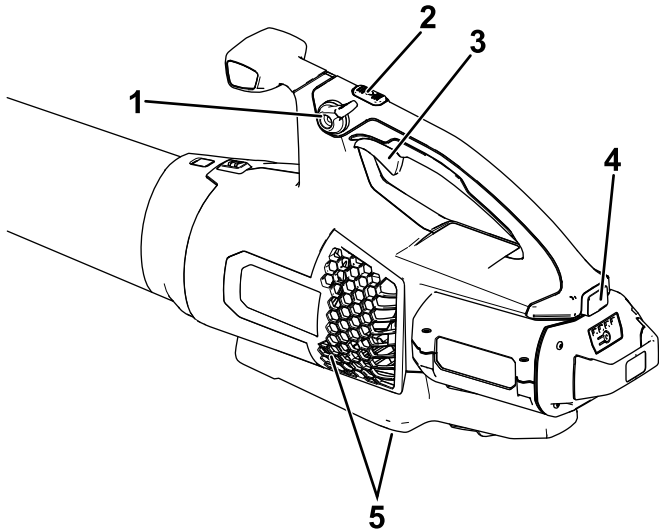


Figure 4

g267241

- |                                 |                        |
|---------------------------------|------------------------|
| 1. Blocage de vitesse           | 4. Verrou de batterie  |
| 2. Bouton Turbo Boost           | 5. Évents du souffleur |
| 3. Gâchette de vitesse variable |                        |

## Réglage du débit d'air du souffleur

Pour obtenir des performances optimales (débit d'air), appuyez à fond sur la gâchette de vitesse variable et maintenez le bouton Turbo Boost enfoncé pendant la durée souhaitée (Figure 4).

Pour régler le débit du souffleur en marche, serrez la gâchette de vitesse variable (Figure 4).

Pour maintenir le débit d'air actuel, engagez le blocage de vitesse (Figure 4).

## Arrêt du souffleur

Pour arrêter le souffleur, déverrouillez le blocage de vitesse (le cas échéant) et relâchez la gâchette de vitesse variable (Figure 4).

**Important:** Après avoir arrêté le souffleur, ne laissez pas le blocage de vitesse enclenché alors que la batterie est sur le souffleur.

Chaque fois que vous cessez d'utiliser le souffleur ou que vous le transportez vers ou de la zone de travail, enlevez la batterie.

## Retrait du tube du souffleur

Appuyez sur la languette de verrouillage pour séparer le tube du souffleur (Figure 5).

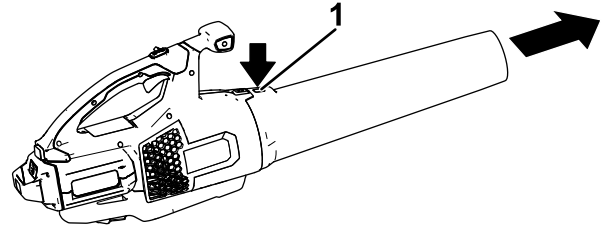


Figure 5

g273159

1. Verrou de tube

## Retrait de la batterie du souffleur

Appuyez sur le verrou de la batterie pour débloquer celle-ci et la faire glisser hors du souffleur (Figure 6).

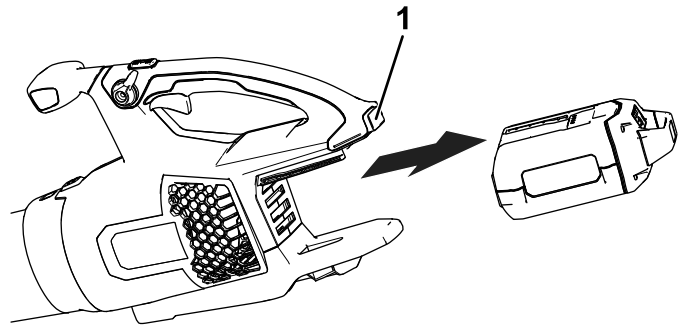


Figure 6

g267488

1. Verrou de batterie

# Remisage

**Important:** Rangez l'outil, la batterie et le chargeur de batterie uniquement à des températures comprises dans la plage adéquate ; voir [Caractéristiques techniques \(page 5\)](#).

**Important:** Si vous remisez la batterie à la fin de la saison, retirez-la de l'outil et chargez-la jusqu'à ce que 2 ou 3 de ses diodes deviennent vertes. Ne remisez pas une batterie à pleine charge ou complètement déchargée. Avant de réutiliser l'outil, chargez la batterie jusqu'à ce que le voyant gauche devienne vert sur le chargeur, ou que les 4 diodes de la batterie deviennent vertes.

- Débranchez le produit de l'alimentation (autrement dit, retirez la prise de l'alimentation ou la batterie) et recherchez tout dommage éventuel après utilisation.
- Ne rangez pas l'outil en laissant la batterie dessus.
- Nettoyez le produit pour éliminer les corps étrangers.
- Lorsqu'ils ne sont pas utilisés, rangez l'outil, la batterie et le chargeur de batterie hors de la portée des enfants.
- N'approchez pas l'outil, la batterie et le chargeur des agents corrosifs, tels les produits chimiques de jardinage et les sels de dégivrage.
- Pour réduire les risques de blessures graves, ne rangez pas la batterie à l'extérieur ou dans un véhicule.
- Rangez l'outil, la batterie et le chargeur dans un lieu fermé, propre et sec.

# Dépistage des défauts

N'effectuez que les opérations décrites dans ces instructions. Tout autre travail d'inspection, d'entretien ou de réparation doit être réalisé par un centre d'entretien agréé ou autre spécialiste qualifié si vous n'arrivez pas à résoudre le problème vous-même.

Problème	Cause possible	Mesure corrective
L'outil ne démarre pas.	<ol style="list-style-type: none"><li>1. La batterie n'est pas complètement installée dans l'outil.</li><li>2. La batterie n'est pas chargée.</li><li>3. La batterie est endommagée.</li><li>4. L'outil présente un problème de nature électrique.</li></ol>	<ol style="list-style-type: none"><li>1. Retirez et remettez la batterie en place dans l'outil, en vérifiant qu'elle est complètement insérée et enclenchée.</li><li>2. Retirez la batterie de l'outil et chargez-la.</li><li>3. Remplacez la batterie.</li><li>4. Contactez un concessionnaire-réparateur agréé.</li></ol>
L'outil n'atteint pas sa pleine puissance.	<ol style="list-style-type: none"><li>1. La capacité de charge de la batterie est trop faible.</li><li>2. Les événements sont obstrués.</li></ol>	<ol style="list-style-type: none"><li>1. Retirez la batterie de l'outil et chargez-la complètement.</li><li>2. Nettoyez les événements.</li></ol>
L'outil ne fonctionne pas ou fonctionne par intermittence.	<ol style="list-style-type: none"><li>1. Il y a de l'humidité sur les fils de la batterie.</li><li>2. La batterie n'est pas complètement installée dans l'outil.</li><li>3. La charge de la batterie est faible.</li></ol>	<ol style="list-style-type: none"><li>1. Laissez sécher la batterie ou essuyez-la.</li><li>2. Retirez et remettez la batterie en place dans l'outil, en vérifiant qu'elle est complètement insérée et enclenchée.</li><li>3. Rechargez la batterie.</li></ol>
Le blocage de vitesse ne reste pas enclenché quand la commande est engagée.	<ol style="list-style-type: none"><li>1. La vis de blocage de vitesse est desserrée.</li></ol>	<ol style="list-style-type: none"><li>1. Resserrez la vis de blocage de vitesse en la tournant d'un quart de tour. Si le blocage de vitesse ne reste toujours pas enclenché, tournez la vis d'un quart de tour supplémentaire.</li></ol>

**Remarques:**

## **Déclaration de confidentialité EEE/R-U**

### **Utilisation de vos renseignements personnels par Toro**

La société The Toro Company (« Toro ») respecte votre vie privée. Lorsque vous achetez nos produits, nous pouvons recueillir certaines données personnelles vous concernant, soit directement soit par l'intermédiaire de votre société ou concessionnaire Toro local(e). Toro utilise ces données pour s'acquitter d'obligations contractuelles, par exemple pour enregistrer votre garantie, traiter une réclamation au titre de la garantie ou vous contacter dans l'éventualité d'un rappel de produit, mais aussi à des fins commerciales légitimes, par exemple pour mesurer la satisfaction des clients, améliorer nos produits ou vous transmettre des informations sur les produits susceptibles de vous intéresser. Toro pourra partager les données personnelles que vous lui aurez communiquées avec ses filiales, concessionnaires ou autres partenaires commerciaux dans le cadre de ces activités. Nous pourrions aussi être amenés à divulguer des données personnelles si la loi l'exige ou dans le cadre de la cession, de l'acquisition ou de la fusion d'une société. Nous ne vendrons jamais vos données personnelles à aucune autre société aux fins de marketing.

### **Conservation de vos données personnelles**

Toro conservera vos données à caractère personnel aussi longtemps que nécessaire pour répondre aux fins susmentionnées et conformément aux dispositions légales applicables. Pour plus d'informations concernant les durées de conservation applicables, veuillez contacter [legal@toro.com](mailto:legal@toro.com).

### **L'engagement de Toro en matière de sécurité**

Vos données personnelles pourront être traitées aux États-Unis ou dans tout autre pays où la législation concernant la protection des données peut être moins rigoureuse que celle de votre propre pays de résidence. Chaque fois que nous transférerons vos données personnelles hors de votre pays de résidence, nous prendrons toutes les dispositions légales requises pour mettre en place toutes les garanties nécessaires visant à la protection et au traitement sécurisé de vos données.

### **Droits d'accès et de rectification**

Vous pouvez être en droit de corriger ou de vérifier vos données personnelles, ou encore de vous opposer au traitement de vos données, ou d'en limiter la portée. Pour ce faire, veuillez nous contacter par courriel à [legal@toro.com](mailto:legal@toro.com). Si vous avez la moindre inquiétude concernant la manière dont Toro a traité vos données personnelles, nous vous encourageons à nous en faire part directement. Veuillez noter que les résidents européens ont le droit de porter plainte auprès de leur Autorité de protection des données.



**Count on it.**

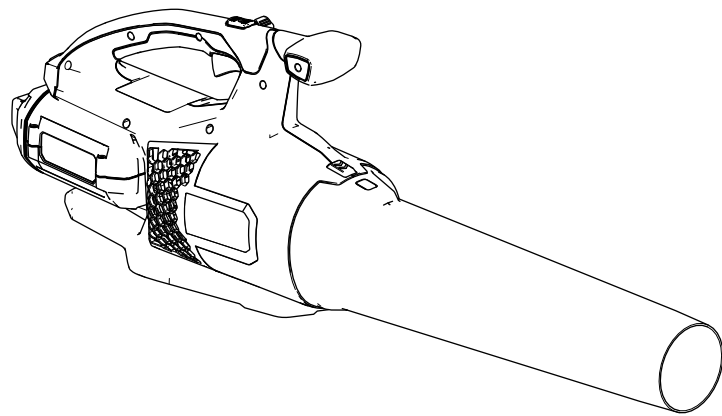


**Count on it.**

**Manuale dell'operatore**

# Soffiatore assiale Flex-Force Power System™ 60 V MAX

N° del modello 51825T—N° di serie 321000001 e superiori





Per assistenza, consultate la pagina [www.Toro.com/support](http://www.Toro.com/support) per filmati di istruzioni o contattate il vostro Centro assistenza autorizzato prima di restituire questo prodotto.

## Introduzione

Questo soffiatore è inteso per l'utilizzo da parte di clienti residenziali per lo spostamento di detriti simili a foglie in base alle esigenze all'aperto. È progettato per utilizzare pacchi batteria Toro Flex-Force agli ioni di litio modello 81820, 81825, 81850, 81860 o 81875. L'utilizzo di questo prodotto per scopi non conformi alle funzioni per cui è stato concepito può essere pericoloso per voi e gli astanti.

Leggete attentamente queste informazioni per imparare come utilizzare e mantenere il vostro prodotto in modo idoneo ed evitare lesioni personali e danni al prodotto. Siete responsabili dell'utilizzo consono e sicuro del prodotto.

Visitate il sito [www.Toro.com](http://www.Toro.com) per maggiori informazioni, compresi suggerimenti sulla sicurezza, materiali di formazione, informazioni sugli accessori, assistenza nella localizzazione di un rivenditore o per registrare il vostro prodotto.

**Il modello 51825T non include una batteria o un caricabatterie.**

## Sicurezza

ATTENZIONE: durante l'utilizzo di apparecchiature elettriche per il giardinaggio, seguite sempre le precauzioni di sicurezza di base per ridurre il rischio di incendio, scossa elettrica e lesioni personali, incluse le seguenti:

## IMPORTANTI ISTRUZIONI ISTRUZIONI

### I. Formazione

1. L'operatore dell'apparecchiatura è responsabile di eventuali incidenti o pericoli per gli altri e la rispettiva proprietà.
2. Non consentite ai bambini di utilizzare o giocare con l'apparecchiatura, il pacco batteria o il caricabatteria; le normative locali possono limitare l'età dell'operatore.
3. Non consentite a persone con ridotte capacità fisiche, sensoriali o mentali o prive di esperienza e conoscenze di utilizzare l'apparecchiatura, il pacco batteria o il caricabatteria, a meno che non abbiano ricevuto istruzioni o supervisione sul relativo utilizzo sicuro e comprendano i pericoli correlati all'utilizzo.
4. Prima di utilizzare l'apparecchiatura, il pacco batteria e il caricabatterie, leggete tutte le istruzioni e le indicazioni di precauzione su questi prodotti.
5. Familiarizzate con i comandi e l'uso corretto dell'apparecchiatura, del pacco batteria e del caricabatteria.

### II. Preparazione

1. Tenete lontani gli astanti e i bambini dall'area operativa.
2. Utilizzate solo il pacco batteria specificato da Toro. L'utilizzo di altri accessori e attrezzi può aumentare il rischio di infortuni e incendi.
3. Il collegamento del caricabatterie a una presa che non sia da 100 a 240 V può causare un incendio o una scossa elettrica. Non collegate il caricabatterie a una presa diversa da una da 100 a 240 V. Per uno stile di collegamento differente, se necessario usate un adattatore adeguato alla configurazione della presa elettrica.
4. Non utilizzate un pacco batteria o un caricabatteria danneggiato o modificato, che potrebbe comportarsi in modo imprevedibile e comportare incendi, esplosioni o rischio di infortuni.
5. Se il cavo di alimentazione del caricabatteria è danneggiato, contattate un Centro assistenza autorizzato per sostituirlo.



6. Non utilizzate batterie non ricaricabili.
7. Caricate il pacco batteria solo con il caricabatteria specificato da Toro. Un caricabatteria adatto a un tipo di pacco batteria può creare un rischio di incendio se utilizzato con un altro pacco batteria.
8. Caricate il pacco batteria solo in un'area ben ventilata.
9. Non esponete un pacco batteria o un caricabatteria a fiamme o temperature superiori a 68 °C.
10. Seguite tutte le istruzioni di ricarica e non caricate il pacco batteria al di fuori del range di temperatura specificato nelle istruzioni. Altrimenti, potreste danneggiare il pacco batteria e aumentare il rischio di incendio.
11. Non utilizzate l'apparecchiatura senza che tutti gli schermi e gli altri dispositivi di protezione siano montati e funzionanti.
12. Vestitevi in modo idoneo – indossate abbigliamento consono, comprendente occhiali di protezione, pantaloni lunghi, scarpe robuste e antiscivolo e protezioni per l'udito. Legate i capelli lunghi e non indossate gioielli pendenti che possano rimanere impigliati nelle parti in movimento. Indossate una maschera antipolvere in condizioni operative polverose.
8. Rimuovete il pacco batteria dall'apparecchiatura ogniqualvolta la lasciate incustodita.
9. Non forzate l'apparecchiatura – lasciate che l'apparecchiatura svolga il lavoro in modo migliore e più sicuro alla velocità per cui è stata progettata.
10. Non sporgetevi eccessivamente – mantenete una posizione solida sui piedi e un buon equilibrio in ogni momento, soprattutto in pendenza. Camminate e non correte mai con l'apparecchiatura.
11. Rimanete vigili – guardate ciò che state facendo e affidatevi al buon senso durante l'utilizzo dell'apparecchiatura. Non utilizzate l'apparecchiatura se siete malati, stanchi o sotto l'influenza di alcol o farmaci.
12. Assicuratevi che le aperture di ventilazione siano mantenute pulite da detriti.
13. Non inserite alcun oggetto nell'apertura, né utilizzate l'apparecchiatura con un'apertura bloccata. Tenete l'apertura priva di polvere, lanugine, capelli o altro che possa ridurre la portata d'aria.
14. Prestate particolare cautela durante l'uso dell'apparecchiatura per la pulizia delle scale.
15. In condizioni di uso scorretto, il pacco batteria può espellere del liquido: evitate il contatto. Se doveste venire accidentalmente a contatto con il liquido, lavatevi con acqua. Se il liquido dovesse venire a contatto con gli occhi, consultate un medico. Il liquido fuoriuscito dal pacco batteria può causare irritazioni o ustioni.

### III. Funzionamento

1. Evitate ambienti pericolosi – non utilizzate l'apparecchiatura sotto la pioggia o in luoghi umidi o bagnati.
2. Utilizzate l'apparecchiatura corretta per la vostra applicazione – l'utilizzo di questa apparecchiatura per scopi non conformi alle funzioni per cui è stata concepita può essere pericoloso per voi e gli astanti.
3. Evitate un avviamento accidentale – assicuratevi che l'interruttore sia in posizione di SPEGNIMENTO prima di effettuare il collegamento al pacco batteria e prima di maneggiare l'apparecchiatura. Non trasportate l'apparecchiatura con il dito sull'interruttore e non mettetela sotto tensione con l'interruttore in posizione di ACCENSIONE.
4. Utilizzate l'apparecchio solamente alla luce del giorno o con illuminazione artificiale adeguata.
5. Rimuovete il pacco batteria dall'apparecchiatura prima di regolarla o sostituire gli accessori.
6. Tenete mani e piedi a distanza dall'apertura e da tutte le parti in movimento.
7. Arrestate l'apparecchiatura, togliete il pacco batteria dall'apparecchiatura e attendete che tutte le parti in movimento si arrestino prima di effettuare interventi di regolazione, assistenza, pulizia o rimessaggio dell'apparecchiatura.

16. **ATTENZIONE** – se maneggiato impropriamente, il pacco batteria può presentare un rischio di incendio o ustione chimica. Non smontate il pacco batteria. Non riscaldate il pacco batteria a una temperatura superiore a 68 °C e non inceneritelo. Sostituite il pacco batteria solo con un pacco batteria originale Toro; l'utilizzo di un altro tipo di pacco batteria può causare un incendio o un'esplosione. Tenete i pacchi batteria fuori dalla portata dei bambini e nella confezione originale fino a quando non sarete pronti a utilizzarli.

### IV. Manutenzione e rimessaggio

1. Effettuate una manutenzione accurata – mantenete pulita e in buone condizioni di riparazione per le migliori prestazioni e per ridurre il rischio di infortuni. Seguite le istruzioni per la lubrificazione e il cambio degli accessori. Tenete le impugnature asciutte, pulite e prive di olio e grasso.
2. Quando un pacco batteria non è in uso, tenetelo lontano da oggetti metallici, come graffette, monete, chiavi, chiodi e viti che possano creare

un collegamento da 1 terminale a un altro. Mandare in cortocircuito i morsetti della batteria può causare bruciature o un incendio.

3. Tenete mani e piedi a distanza dalle parti in movimento.
4. Arrestate l'apparecchiatura, togliete il pacco batteria dall'apparecchiatura e attendete che tutte le parti in movimento si arrestino prima di effettuare interventi di regolazione, assistenza, pulizia o rimessaggio dell'apparecchiatura.
5. Controllate che l'apparecchiatura non abbia parti danneggiate – se le protezioni o altre parti risultano danneggiate, determinate se l'apparecchiatura funziona correttamente. Verificate che non vi siano parti mobili non allineate, grippate o rotte, verificate il montaggio e qualsiasi altra condizione che possa influire negativamente sul funzionamento. Se non indicato nelle istruzioni, fate riparare o sostituire le protezioni o i componenti danneggiati da un Centro assistenza autorizzato.
6. Mantenete serrati tutti i dispositivi di fissaggio sull'apparecchiatura.
7. Non tentate di effettuare la manutenzione o riparazione dell'apparecchiatura, del pacco batteria o del caricabatteria, ad eccezione di quanto indicato nelle istruzioni. Fate eseguire gli interventi di assistenza a un Centro assistenza autorizzato, utilizzando ricambi identici per garantire una manutenzione sicura del prodotto.
8. Riponete l'apparecchiatura inattiva al chiuso, in un luogo asciutto, sicuro e fuori dalla portata dei bambini.
9. Non gettate la batteria nel fuoco. La cellula potrebbe esplodere. Controllate i codici locali per possibili istruzioni di smaltimento speciale.

## CONSERVATE QUESTE ISTRUZIONI

## Adesivi di sicurezza e informativi



Adesivi e istruzioni di sicurezza sono chiaramente visibili per l'operatore e sono situati vicino a qualsiasi area di potenziale pericolo. Sostituite eventuali adesivi se danneggiati o mancanti.



140-8498

decal140-8498

1. Attenzione – leggete il *Manuale dell'operatore*; tenetevi lontano dalle parti in movimento; tenete tutte le protezioni e gli schermi montati; indossate le protezioni per l'udito; indossate le protezioni per gli occhi; non esponete alla pioggia.
2. Avvertenza – tenete gli astanti a distanza dalla macchina in tutte le direzioni.
3. Pericolo di lancio di oggetti – tenete gli astanti a distanza.
4. Non eliminarlo.

# Preparazione

## Assemblaggio del soffiatore

Fate scorrere il tubo del soffiatore sul relativo alloggiamento. Potrebbe essere necessario spingere il fermo del tubo perché il tubo del soffiatore si blocchi in posizione (Figura 1).

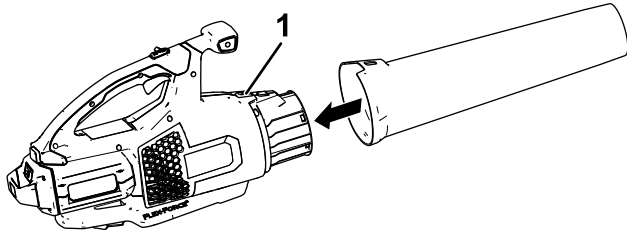


Figura 1

g273147

1. Fermo del tubo

## Quadro generale del prodotto

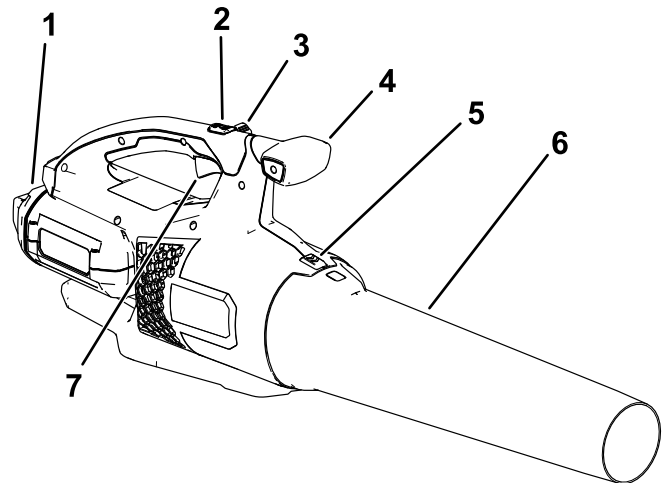


Figura 2

g335835

1. Batteria e cavità della batteria
2. Pulsante turbo boost
3. Blocco della velocità
4. Manopola dell'impugnatura
5. Fermo del tubo del soffiatore
6. Tubo del soffiatore
7. Levetta della velocità variabile

## Specifiche

Modello	51825T
Tensione nominale	60 V c.c. massima; 54 V c.c. utilizzo nominale
Tipo di caricabatterie	81802o 81805
Tipo di batteria	81820, 81825, 81850, 81860 o 81875

### Intervalli di temperatura idonei

Caricate/rimessate il pacco batteria a	5 °C–40 °C*
Utilizzate il pacco batteria a	-30 °C–49 °C
Utilizzate il soffiatore a	0 °C–49 °C

\*I tempi di ricarica aumenteranno se la ricarica non avviene all'interno di questo intervallo.

Stocate l'utensile, la batteria e il caricabatterie in un luogo ben pulito e asciutto.

# Funzionamento

## ⚠ AVVERTENZA

Il soffiatore può lanciare detriti e causare gravi infortuni a voi o agli astanti.

- Non soffiare oggetti duri, come chiodi o bulloni.
- Non attivate il soffiatore nelle adiacenze di persone o animali da compagnia.
- Fate attenzione alla direzione di soffiatura (ovvero, soffiare in direzione opposta ad astanti, finestre, automobili, ecc.). Utilizzate solo la velocità necessaria.
- Prestate la massima attenzione nel rimuovere detriti da scale e da altri spazi limitati.
- Vestitevi in modo idoneo – indossate abbigliamento consono, comprendente occhiali di protezione, pantaloni lunghi, scarpe robuste e antiscivolo e protezioni per l'udito. Legate i capelli lunghi e non indossate gioielli pendenti che possano rimanere impigliati nelle parti in movimento. Indossate una maschera antipolvere in condizioni operative polverose.

## Avviamento del soffiatore

1. Assicuratevi che gli sfiati sul soffiatore siano privi di polvere e detriti.
2. Allineate la cavità nel pacco batteria con la linguetta nell'alloggiamento dell'impugnatura (Figura 3).
3. Afferrate l'impugnatura e spingete il pacco batteria nell'impugnatura fino a quando il fermo non si blocca in posizione (Figura 1).

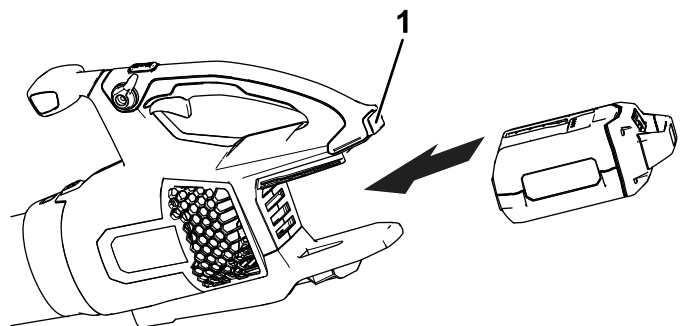


Figura 3

g273146

1. Fermo della batteria

4. Per avviare il soffiatore, premete la levetta della velocità variabile (Figura 4).

**Nota:** Innestate il blocco della velocità per tenere la macchina accesa senza premere la levetta della velocità variabile (Figura 4).

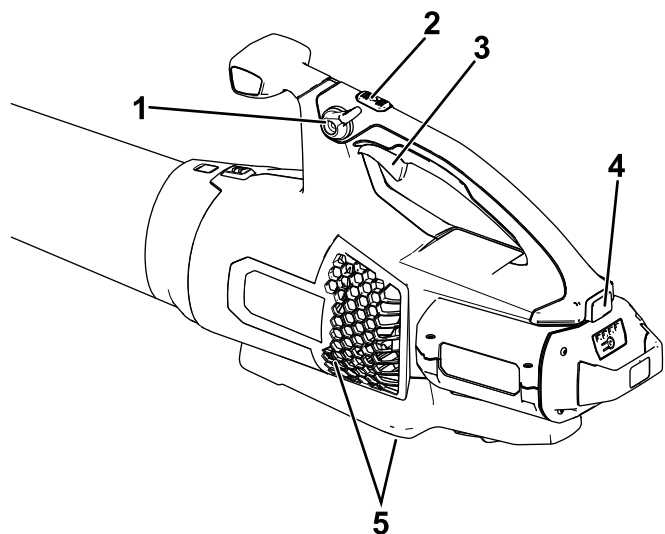


Figura 4

g267241

- |                                     |                                  |
|-------------------------------------|----------------------------------|
| 1. Blocco della velocità            | 4. Fermo della batteria          |
| 2. Pulsante turbo boost             | 5. Aree di sfiato del soffiatore |
| 3. Levetta della velocità variabile |                                  |

## Regolazione della velocità dell'aria del soffiatore

Per ottenere le massime prestazioni (velocità dell'aria), premete completamente la levetta della velocità variabile, quindi tenete premuto il pulsante turbo boost per la quantità di tempo desiderata (Figura 4).

Per regolare la velocità dell'aria mentre il soffiatore è in funzione, utilizzate la levetta della velocità variabile (Figura 4).

Per mantenere la velocità dell'aria impostata, innestate il blocco della velocità (Figura 4).

## Arresto del soffiatore

Per arrestare il soffiatore, disinnestate il blocco della velocità (se in uso) e lasciate andare la levetta della velocità variabile (Figura 4).

**Importante:** Dopo aver arrestato il soffiatore, non lasciate il blocco della velocità innestato con il pacco batteria nel soffiatore.

Quando il soffiatore non è in uso o lo state trasportando verso o da un'area di lavoro, rimuovete il pacco batteria.

## Rimozione del tubo del soffiatore

Premete verso il basso il fermo dell'aletta per separare il tubo del soffiatore dal soffiatore stesso (Figura 5).

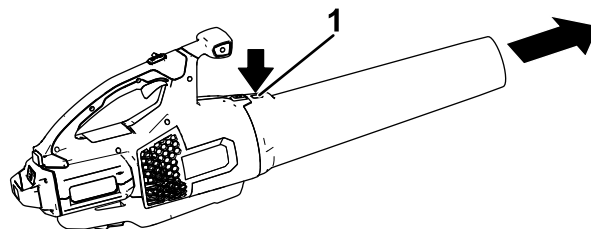


Figura 5

g273159

1. Fermo del tubo

## Rimozione della batteria dal soffiatore

Premete il fermo della batteria per rilasciare il pacco batteria e fate scorrere il pacco batteria fuori dal soffiatore (Figura 6).

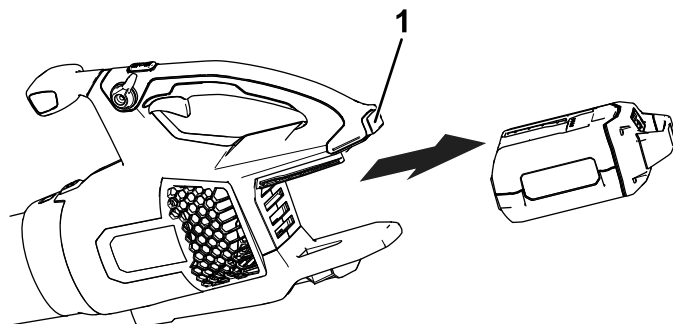


Figura 6

g267488

1. Fermo della batteria

# Stoccaggio

**Importante:** Stocate l'utensile, il pacco batteria e il caricabatterie solo a temperature comprese all'interno dell'intervallo opportuno; fate riferimento a [Specifiche \(pagina 5\)](#).

**Importante:** Se stocate il pacco batteria a fine stagione, rimuovete il pacco batteria dall'utensile e caricatelo fino a quando 2 o 3 indicatori LED non diventano verdi sulla batteria. Non stocate una batteria completamente carica o completamente scarica. Quando dovete utilizzare di nuovo l'utensile, caricate il pacco batteria fino a quando la spia di indicazione sinistra non diventa verde sul caricabatterie o quando tutti e 4 gli indicatori LED non diventano verdi sulla batteria.

- Scollegate il prodotto dall'alimentazione (ovvero, rimuovete la spina dall'alimentazione o dal pacco batteria) e controllate per escludere eventuali danni dopo l'uso.
- Non rimessate l'utensile con il pacco batteria installato.
- Ripulite il prodotto da tutti i materiali estranei.
- Quando non in uso, rimessate l'utensile, il pacco batteria e il caricabatterie fuori dalla portata dei bambini.
- Tenete utensile, pacco batteria e caricabatterie lontano da agenti corrosivi, come sostanze chimiche per il giardino e sali di sbrinamento.
- Per ridurre il rischio di gravi lesioni personali, non stocate il pacco batteria all'aperto o all'interno di veicoli.
- Stocate l'utensile, la batteria e il caricabatterie in un luogo ben pulito e asciutto.

# Localizzazione guasti

Effettuate solo i passaggi descritti in queste istruzioni. Tutti i successivi interventi di ispezione, manutenzione e riparazione devono essere effettuati da un centro assistenza autorizzato o da uno specialista analogamente qualificato se non siete in grado di risolvere il problema da soli.

Problema	Possibile causa	Rimedio
L'utensile non si avvia.	<ol style="list-style-type: none"><li>1. La batteria non è completamente installata nell'utensile.</li><li>2. Il pacco batteria non è carico.</li><li>3. Il pacco batteria è danneggiato.</li><li>4. L'utensile presenta un altro problema elettrico.</li></ol>	<ol style="list-style-type: none"><li>1. Rimuovete e poi riposizionate la batteria nell'utensile, assicurandovi che sia completamente installata e fissata.</li><li>2. Rimuovete il pacco batteria dall'utensile e caricatelo.</li><li>3. Sostituite il pacco batteria.</li><li>4. Contattate un centro assistenza autorizzato.</li></ol>
L'utensile non raggiunge la massima potenza.	<ol style="list-style-type: none"><li>1. La capacità di carica del pacco batteria è troppo bassa.</li><li>2. Gli sfiati dell'aria sono bloccati.</li></ol>	<ol style="list-style-type: none"><li>1. Rimuovete il pacco batteria dall'utensile e caricatelo completamente.</li><li>2. Pulite gli sfiati dell'aria.</li></ol>
L'utensile non funziona o non funziona continuamente.	<ol style="list-style-type: none"><li>1. È presente dell'umidità sui poli del pacco batteria.</li><li>2. La batteria non è completamente installata nell'utensile.</li><li>3. Il pacco batteria ha poca carica.</li></ol>	<ol style="list-style-type: none"><li>1. Asciugate o lasciate asciugare il pacco batteria.</li><li>2. Rimuovete e poi riposizionate la batteria nell'utensile, assicurandovi che sia completamente installata e fissata.</li><li>3. Ricaricate il pacco batteria.</li></ol>
Il blocco della velocità non tiene quando inserito.	<ol style="list-style-type: none"><li>1. La vite del blocco della velocità è allentata.</li></ol>	<ol style="list-style-type: none"><li>1. Serrate la vite del blocco della velocità ruotandola di <math>\frac{1}{4}</math> di giro. Se il blocco della velocità ancora non tiene quando inserito, ruotate la relativa vite di un altro <math>\frac{1}{4}</math> di giro.</li></ol>

**Note:**



## Informativa sulla privacy SEE/Regno Unito

### Utilizzo delle vostre informazioni personali da parte di Toro

The Toro Company ("Toro") rispetta la vostra privacy. Quando acquistate i nostri prodotti, possiamo raccogliere determinate informazioni personali su di voi, direttamente da voi o tramite la vostra azienda o distributore Toro. Toro utilizza queste informazioni per adempiere ai propri obblighi contrattuali, come registrare la vostra garanzia, elaborare la vostra richiesta in garanzia o contattarvi in caso di un richiamo di prodotto, e per finalità aziendali legittime, come valutare la soddisfazione dei clienti, migliorare i nostri prodotti o fornirvi informazioni su prodotti che potrebbero essere di vostro interesse. Toro può condividere i vostri dati con le nostre consociate, affiliate, rivenditori e altri partner commerciali collegati a tali attività. Inoltre, possiamo divulgare le informazioni personali ove richiesto ai sensi della legge o in relazione alla vendita, acquisto o fusione di un'attività. Non venderemo mai le vostre informazioni personali a nessun'altra società a scopi di marketing.

### Conservazione delle vostre informazioni personali

Toro conserverà le vostre informazioni personali per tutto il tempo pertinente alle finalità di cui sopra e in conformità con i requisiti normativi. Per maggiori informazioni sui periodi di conservazione dei dati applicabili, contattate [legal@toro.com](mailto:legal@toro.com).

### L'impegno di Toro per la sicurezza

Le vostre informazioni personali possono essere elaborate negli Stati Uniti o in altri paesi in cui possono essere in vigore leggi sulla protezione dei dati meno rigorose di quelle del vostro paese di residenza. Ogniqualvolta trasferiamo le vostre informazioni al di fuori del vostro paese di residenza, adotteremo tutte le misure richieste per legge al fine di garantire l'implementazione delle opportune tutele per proteggere le vostre informazioni e assicurarci che vengano trattate in sicurezza.

### Accesso e correzione

È vostro diritto correggere o riesaminare i vostri dati personali, oppure rifiutare o limitare il trattamento dei vostri dati. A tale scopo, contattateci via email all'indirizzo [legal@toro.com](mailto:legal@toro.com). In caso di perplessità in relazione al modo in cui Toro gestisce le vostre informazioni, vi invitiamo a parlarne direttamente con noi. Tenete presente che i residenti europei hanno diritto a sporgere reclamo presso la propria Autorità di protezione dei dati.



**Count on it.**

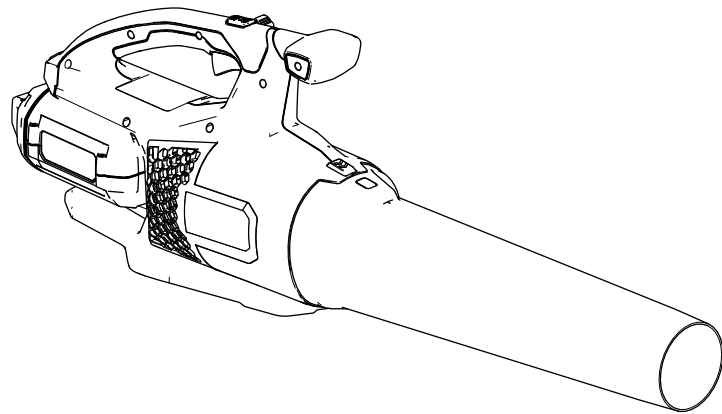


**Count on it.**

**Gebruikershandleiding**

# Flex-Force Power System™ 60 V MAX Axiale bladblazer

Modelnr.: 51825T—Serienr.: 321000001 en hoger





Voor hulp, surf naar [www.Toro.com/support](http://www.Toro.com/support) met informatieve video's of neem contact op met uw erkende servicedealer voordat u dit product retourneert.

## Inleiding

Deze bladblazer is bedoeld voor particulier gebruik, voor het wegblazen van bladeren en dergelijke, buitenshuis. Het apparaat is ontworpen voor gebruik met een Toro Flex-Force lithiumionaccupack model 81820, 81825, 81850, 81860 of 81875. Gebruik voor een andere dan de bedoelde toepassing zou gevaar kunnen opleveren voor u en omstanders.

Lees deze informatie zorgvuldig door, zodat u weet hoe u de machine op de juiste wijze moet gebruiken en onderhouden en om letsel en schade aan de machine te voorkomen. U bent verantwoordelijk voor het juiste en veilige gebruik van de machine.

Ga naar [www.Toro.com](http://www.Toro.com) voor meer informatie, inclusief veiligheidstips, instructiemateriaal, informatie over accessoires, hulp bij het vinden van een dealer of om uw product te registreren.

**Model 51825T wordt geleverd zonder accu of een lader.**

## Veiligheid

WAARSCHUWING: bij het gebruik van elektrisch tuingereedschap dient u veiligheidsmaatregelen te nemen om het risico op brand, elektrische schok en letsel te verminderen. Deze maatregelen omvatten onder andere:

## BELANGRIJKE VEILIGHEIDS-AANWIJZINGEN

### I. Instructie

1. De gebruiker van dit apparaat is verantwoordelijk voor ongelukken of gevaren met betrekking tot henzelf of hun bezittingen.
2. Laat kinderen nooit spelen met het apparaat, het accupack of de acculader. Er kan een minimumleeftijd van de gebruiker zijn onder plaatselijke regelgeving.
3. Dit apparaat, de accu en de acculader mogen niet gebruikt worden door personen met fysieke, sensorische of mentale beperkingen of een gebrek aan ervaring of kunde, tenzij zij onder toezicht staan of instructie ontvangen over het veilige gebruik van het toestel en zich bewust zijn van de gevaren.
4. Lees voor gebruik van dit apparaat, het accupack en de acculader alle aanwijzingen en waarschuwingstekens op de producten.
5. Maak uzelf vertrouwd met de bedieningsorganen en het juiste gebruik van dit apparaat, het accupack en de acculader.

### II. Vóór ingebruikname

1. Hou omstanders en kinderen buiten het werkgebied.
2. Gebruik alleen een accu zoals opgegeven door Toro. Het gebruik van andere accessoires en hulpstukken kan het risico op letsel en brand verhogen.
3. Het aansluiten van de acculader op een stopcontact met een spanning anders dan 100 tot 240 V kan leiden tot brand of een elektrische schok. Sluit de acculader niet aan op een stopcontact met een spanning anders dan 100 tot 240 V. Voor een ander soort aansluiting dient u mogelijk een adapterstekker van het juiste type te gebruiken.
4. Gebruik geen beschadigde of gewijzigde accu of acculader, deze zou zich onvoorspelbaar kunnen gedragen en kunnen leiden tot brand, explosie of gevaar van letsel.

5. Als het stroomsnoer van de acculader beschadigd is, neem dan contact op met een erkende servicedealer om het te vervangen.
6. Gebruik geen niet-oplaadbare batterijen.
7. Laad het accupack enkel op met de acculader die door Toro is gespecificeerd. Een lader die geschikt is voor het ene type accupack kan in combinatie met een ander accupack voor brandgevaar zorgen.
8. Laad het accupack op in een goed verluchte ruimte.
9. Stel het accupack of de acculader niet bloot aan brand of een temperatuur hoger dan 68 °C.
10. Volg alle instructies aangaande het laden en laad het accupack niet op buiten het temperatuurbereik dat wordt gespecificeerd in de instructies. Anders kunt u het accupack beschadigen en het risico op brand verhogen.
11. Gebruik dit apparaat niet zonder dat alle afschermingen en andere veiligheidsvoorzieningen op hun plaats zitten en goed werken.
12. Draag geschikte kleding, waaronder oogbescherming, een lange broek, stevige schoenen die uitglijden voorkomen en gehoorbescherming. Draag lang haar niet los en draag geen sieraden die in bewegende delen kunnen komen. Draag een stofmasker bij het werken onder stoffige omstandigheden.
- apparaat instelt, onderhoudt, schoonmaakt of opbergt.
8. Verwijder het accupack van het apparaat als u het onbewaakt achterlaat.
9. Forceer het apparaat nooit. Het apparaat werkt beter en veiliger op de ontwerpsnelheid.
10. Reik nooit te ver. Zorg dat u altijd stabiel staat en uw evenwicht bewaart, vooral op hellingen. Met het apparaat moet u altijd lopen, nooit rennen.
11. Wees alert, kijk wat u doet en gebruik uw gezond verstand wanneer u het apparaat gebruikt. Gebruik het apparaat niet als u ziek, moe of onder de invloed van alcohol of drugs bent.
12. Verzekert dat de ventilatie-openingen niet verstopt raken.
13. Steek nooit een voorwerp in de opening en gebruik het apparaat nooit als de opening geblokkeerd is. Hou de opening vrij van stof, haar en ander materiaal dat de luchtstroom zou kunnen beperken.
14. Wees extra voorzichtig als u het apparaat gebruikt om trappen te reinigen.
15. Bij verkeerd gebruik kan vloeistof uit het accupack lekken; vermijd contact hiermee. Als u per ongeluk in contact komt met de vloeistof, moet u spoelen met water. Als de vloeistof in uw ogen terechtkomt, moet u naar een arts gaan. Vloeistof die uit de accu ontsnapt, kan irritatie van de huid of brandwonden veroorzaken.

### III. Bediening

1. Niet gebruiken in een gevaarlijke omgeving – gebruik het apparaat niet in de regen of onder vochtige omstandigheden.
2. Gebruik het juiste apparaat voor de toepassing. Het gebruik van het apparaat voor iets anders dan de bedoelde toepassing kan gevaar opleveren voor u en omstanders.
3. Voorkom onbedoeld starten – verzekert dat de schakelaar op UIT staat voordat u het apparaat op het accupack aansluit en gebruikt. Draag het apparaat niet met uw vinger op de schakelaar en zet geen stroom op het apparaat met de schakelaar op AAN.
4. Gebruik het apparaat uitsluitend bij daglicht of goed kunstlicht.
5. Verwijder het accupack van het apparaat voordat u instellingen doet of accessoires monteert.
6. Hou uw handen en voeten uit de buurt van opening en bewegende delen.
7. Stop het apparaat, verwijder het accupack van het apparaat, en wacht totdat alle bewegende delen tot stilstand zijn gekomen voordat u het

16. OPGELET – Een verkeerd behandeld accupack kan brand of chemische brandwonden veroorzaken. Demonteer het accupack niet. Verhit het accupack niet boven 68 °C en verbrand deze niet. Vervang het accupack alleen door een origineel Toro accupack, het gebruik van een ander accupack kan leiden tot brand of een explosie. Hou accupacks buiten het bereik van kinderen en in de originele verpakking totdat u ze gaat gebruiken.

### IV. Onderhoud en opslag

1. Onderhoud het apparaat zorgvuldig. Hou het schoon en in goede staat om de beste prestaties te verkrijgen en de kans op letsel te verkleinen. Volg de aanwijzingen voor het smeren en omwisselen van accessoires. Hou de handgrepen droog, schoon en vrij van olie en vet.
2. Als het accupack niet wordt gebruikt, hou het dan uit de buurt van metalen voorwerpen zoals paperclips, muntjes, sleutels, nagels en schroeven die een brug kunnen vormen tussen de polen. Kortsluiting tussen de accupolen kan brandwonden en brand veroorzaken.

3. Hou handen en voeten uit de buurt van van bewegende delen.
4. Stop het apparaat, verwijder het accupack van het apparaat, en wacht totdat alle bewegende delen tot stilstand zijn gekomen voordat u het apparaat instelt, onderhoudt, schoonmaakt of opbergt.
5. Controleer het apparaat op beschadigde onderdelen. Als afschermingen of andere onderdelen beschadigd zijn ga dan na af het nog goed kan werken. Controleer de bewegende delen op uitlijning en vastlopen, beschadigde onderdelen, montagevoorzieningen en andere omstandigheden die van invloed kunnen zijn op de werking. Tenzij anders aangegeven in de gebruiksaanwijzing moeten de beschadigde afschermingen en onderdelen vervangen worden door een erkende servicedealer.
6. Zorg dat bevestigingsmiddelen van het apparaat goed aangedraaid zijn.
7. Probeer het apparaat, het accupack of de acculader niet te repareren of onderhouden, tenzij aangegeven in de gebruiksaanwijzing. Laat een servicedealer het onderhoud uitvoeren met identieke vervangende onderdelen om te verzekeren dat het product veilig is onderhouden.
8. Als het apparaat niet in gebruik is berg het dan binnen op, op een droge, veilige plaats, buiten het bereik van kinderen.
9. De accu niet verbranden. De cel kan ontploffen. Controleer of er plaatselijke voorschriften gelden voor het afvoeren van accu's.

## BEWAAR DEZE AANWIJZINGEN

## Veiligheids- en instructiestickers



Veiligheidsstickers en veiligheidsinstructies zijn gemakkelijk zichtbaar voor de gebruiker en bevinden zich bij plaatsen waar gevaar kan ontstaan. Vervang alle beschadigde of ontbrekende veiligheidsstickers.



140-8498

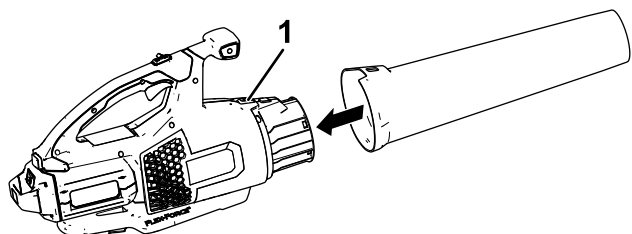
decal140-8498

1. Waarschuwing – lees de *Gebruikershandleiding*; blijf uit de buurt van bewegende onderdelen; houd alle beschermende onderdelen op hun plaats; draag gehoorbescherming; draag oogbescherming; niet blootstellen aan regen.
2. Waarschuwing – hou omstanders aan alle kanten uit de buurt van het gereedschap.
3. Er kunnen voorwerpen weggeslingerd worden – hou omstanders uit de buurt.
4. Niet weggooien.

# Montage

## De blazer monteren

Schuif de blaaspijp op het huis van de blazer. Mogelijk moet u de blaaspijp-vergrendeling indrukken zodat de blaaspijp inklikt (Figuur 1).

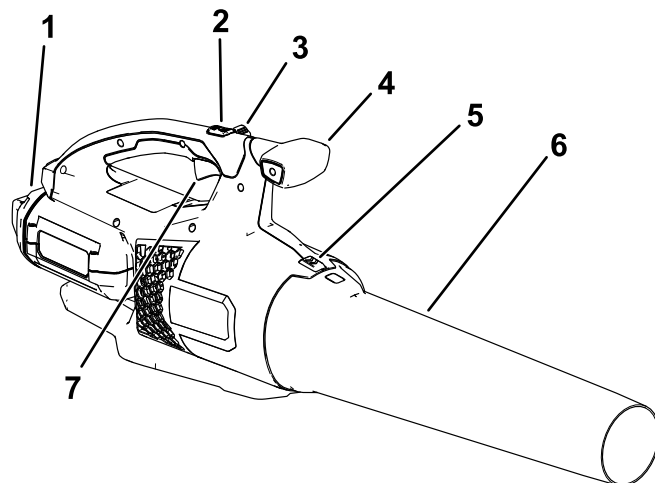


Figuur 1

g273147

1. Blaaspijp-vergrendeling

# Algemeen overzicht van de machine



g335835

Figuur 2

1. Accu en accuholte
2. Turbo boost knop
3. Snelheidsvergrendeling
4. Handgreepknop
5. Vergrendeling van blaaspijp
6. Blaaspijp
7. Snelheidsregeling-trekker

## Specificaties

<b>Model</b>	51825T
<b>Nominale spanning</b>	Maximaal 60 V gelijkstroom, 54 VDC nominaal gebruik
<b>Lader</b>	81802 of 81805
<b>Accu</b>	81820, 81825, 81850, 81860 of 81875

## Temperatuurbereik

Opladen/opbergen van het accupack	5 °C tot 40 °C*
Gebruiken van het accupack	-30 °C tot 49 °C
Gebruiken van de blazer	0 °C tot 49 °C

\*Het opladen zal langer duren als de omgevingstemperatuur buiten dit bereik valt.

Bewaar het apparaat, het accupack en de acculader op een afgesloten, schone en droge plaats.

# Gebruiksaanwijzing

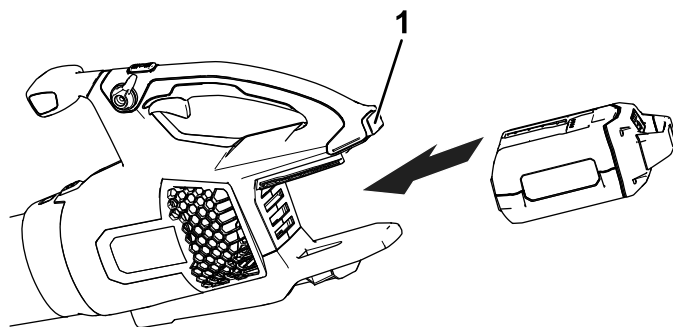
## ⚠ WAARSCHUWING

De blazer kan vervuiling wegblazen. Dit zou kunnen leiden tot ernstig letsel bij u of omstanders.

- **Blaas geen harde objecten, zoals spijkers en bouten, weg.**
- **Gebruik de blazer niet als er omstanders of huisdieren in de buurt zijn.**
- **Let goed op de blaasrichting (d.w.z. blaas weg van omstanders, ramen, auto's). Gebruik geen hogere snelheid dan nodig.**
- **Wees extra voorzichtig als u vuil verwijdt van een trap of andere riskante plaatsen.**
- **Draag geschikte kleding, waaronder oogbescherming, een lange broek, stevige schoenen die uitglijden voorkomen en gehoorbescherming. Draag lang haar niet los en draag geen sieraden die in bewegende delen kunnen komen. Draag een stofmasker bij het werken onder stoffige omstandigheden.**

## De blazer starten

1. Verzekert dat de ventilatie-openingen van de blazer niet verstopt zijn door stof en vervuiling.
2. Lijn de uitsparing in het accupack uit met het uitsteeksel van de handgreep (Figuur 3).
3. Hou de handgreep vast en duw het accupack in de handgreep tot de vergrendeling inklikt (Figuur 1).



Figuur 3

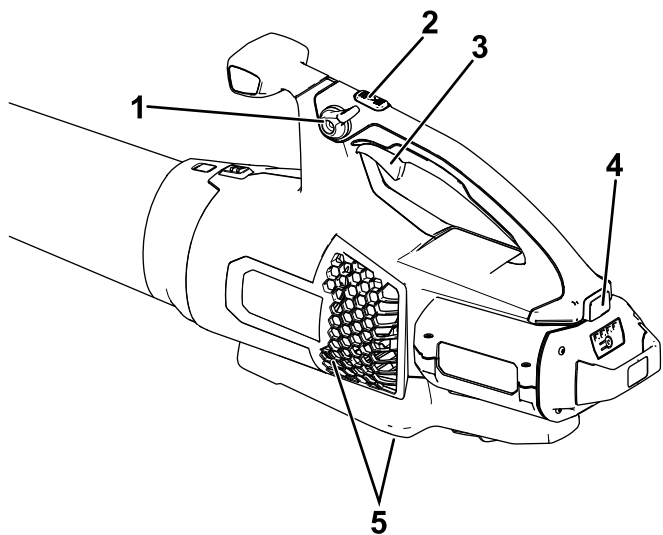
g273146

1. Accuvergrendeling

4. Start de blazer door de snelheidsregeling-trekker in te drukken [Figuur 4](#)

**Opmerking:** Schakel de snelheidsvergrendeling om de machine te laten lopen zonder de trekker ingedrukt te moeten houden [Figuur 4](#).





**Figuur 4**

g267241

- |                              |                      |
|------------------------------|----------------------|
| 1. Snelheidsvergrendeling    | 4. Accuvergrendeling |
| 2. Turbo boost knop          | 5. Uitblaasopeningen |
| 3. Snelheidsregeling-trekker |                      |

## Instellen van de blaassnelheid

Om de maximale prestaties (luchtsnelheid) te verkrijgen drukt u de snelheidsregeling-trekker geheel in, en drukt u dan tevens de turbo boost knop in gedurende de gewenste tijd (Figuur 4).

Om de luchtsnelheid wanneer u blaast aan te passen, gebruik de snelheidsregeling-trekker (Figuur 4).

Om de huidige luchtsnelheid te behouden, stel de snelheidsbegrenzer in (Figuur 4).

## Uitzetten van de blazer

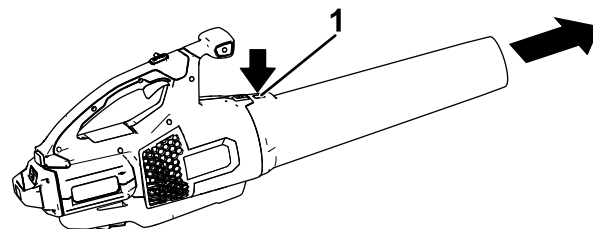
Om de blazer te stoppen ontgrendelt u de snelheidsvergrendeling (indien gebruikt) en laat u de snelheidsregeling-trekker los (Figuur 4).

**Belangrijk:** Na het stoppen van de blazer mag u de snelheidsvergrendeling niet ingeschakeld laten als de accu in de blazer zit.

Wanneer u de blazer niet gebruikt of vervoert van of naar het werkgebied, moet u het accupack verwijderen.

## Verwijderen van de blaaspijp

Druk op de blaaspijp-vergrendeling om de blaaspijp los te maken van de blazer (Figuur 5).



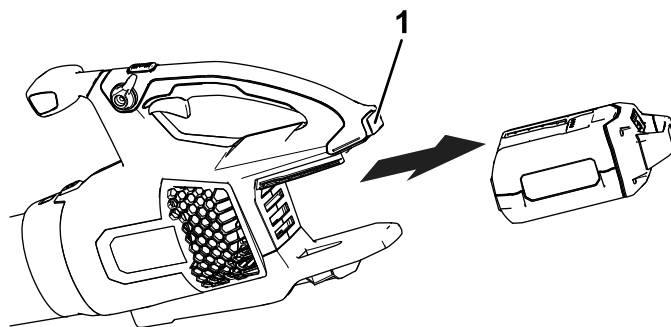
**Figuur 5**

g273159

1. Blaaspijp-vergrendeling

## Verwijderen van de accu uit de blazer

Druk op de accuvergrendeling van de machine om het accupack te ontgrendelen, schuif het accupack dan uit de blazer (Figuur 6).



**Figuur 6**

g267488

1. Accuvergrendeling

# Opbergen

**Belangrijk:** Berg het gereedschap, de accu en de lader alleen op binnen het aangegeven temperatuurbereik, zie [Specificaties \(bladz. 5\)](#).

**Belangrijk:** Als u het accupack tijdens het laagseizoen opbergt, verwijder het accupack dan uit het gereedschap en laad het accupack op tot er 2 of 3 ledindicatoren op de accu groen oplichten. Berg de accu niet geheel geladen of geheel ontladen op. Wanneer u het gereedschap weer nodig hebt, laadt u het accupack op totdat het indicatielampje links op de lader groen oplicht of alle 4 de ledindicatoren op de accu groen oplichten.

- Na gebruik moet het product van de voeding worden afgekoppeld door de stekker uit de voeding of de accu te trekken, en moet het op schade worden gecontroleerd.
- Sla het gereedschap niet op terwijl het accupack gemonteerd is.
- Verwijder al het vuil van het product.
- Als het gereedschap, de accu en acculader niet in gebruik zijn moeten deze buiten bereik van kinderen worden opgeborgen.
- Hou het gereedschap, de accu en acculader uit de buurt van corrosieve materialen zoals chemische middelen voor in de tuin en straatzout.
- Om het risico op ernstig lichamelijk letsel te verkleinen mag u de accu niet buiten of in een voertuig opbergen.
- Bewaar het apparaat, het accupack en de acculader op een afgesloten, schone en droge plaats.

# Problemen, oorzaak en remedie

Voer alleen de hieronder genoemde handelingen uit. Indien u het probleem zelf niet kunt oplossen moeten de verdere inspectie, onderhoud en reparaties moeten worden uitgevoerd door een geautoriseerd service-centrum of een vergelijkbare specialist.

Probleem	Mogelijke oorzaak	Remedie
Het gereedschap start niet.	<ol style="list-style-type: none"><li>1. De accu is niet volledig in het gereedschap geplaatst.</li><li>2. De accu is niet geladen.</li><li>3. De accu is defect.</li><li>4. Het gereedschap heeft een elektrische storing.</li></ol>	<ol style="list-style-type: none"><li>1. Verwijder de accu en plaats deze opnieuw, verzeker dat de accu goed op zijn plaats zit en vergrendeld is.</li><li>2. Verwijder de accu en laad deze op.</li><li>3. Vervang de accu.</li><li>4. Neem contact op met een erkende servicedealer.</li></ol>
Het gereedschap bereikt het volledige vermogen niet.	<ol style="list-style-type: none"><li>1. De accu is niet voldoende geladen.</li><li>2. De ventilatie-openingen zijn verstopt.</li></ol>	<ol style="list-style-type: none"><li>1. Verwijder de accu en laad deze volledig op.</li><li>2. Maak de ventilatie-openingen schoon.</li></ol>
Het gereedschap loopt niet of niet continu.	<ol style="list-style-type: none"><li>1. De draden van de accu zijn vochtig.</li><li>2. De accu is niet volledig in het gereedschap geplaatst.</li><li>3. Het accupack is bijna leeg.</li></ol>	<ol style="list-style-type: none"><li>1. Laat de accu drogen of maak deze droog met een doek.</li><li>2. Verwijder de accu en plaats deze opnieuw, verzeker dat de accu goed op zijn plaats zit en vergrendeld is.</li><li>3. Laad het accupack op.</li></ol>
De snelheidsvergrendeling houdt niet wanneer deze vergrendeld is.	<ol style="list-style-type: none"><li>1. De snelheidsvergrendelingsschroef is los.</li></ol>	<ol style="list-style-type: none"><li>1. Maak de snelheidsvergrendelings-schroef vast door deze een kwart te draaien. Indien de snelheidsvergrendeling nog altijd niet houdt, draai de snelheidsvergrendelingsschroef een extra kwart.</li></ol>

# Opmerkingen:

## Privacyverklaring EEA/VK

### Toro's gebruik van uw persoonlijke gegevens

The Toro Company ("Toro") respecteert uw recht op privacy. Wanneer u onze producten koopt, kunnen we bepaalde persoonlijke informatie over u verzamelen, ofwel rechtstreeks via u ofwel via uw plaatselijk Toro bedrijf of dealer. Toro gebruikt deze informatie om te voldoen aan contractuele verplichtingen – zoals het registreren van uw garantie, het behandelen van uw garantieclaim of om contact met u op te nemen in het geval van terugroepacties – en voor legitieme zakelijke doeleinden – zoals klanttevredenheid meten, onze producten verbeteren of u productinformatie verschaffen die van belang kan zijn. Toro kan uw informatie delen met onze dochterondernemingen, verdelers of andere zakenpartners in verband met deze activiteiten. We kunnen ook persoonlijke informatie vrijgeven van rechtswege of in verband met de verkoop, aankoop of fusie van een bedrijf. We verkopen uw persoonsgegevens nooit aan andere bedrijven voor marketingdoeleinden.

### Hoe uw persoonlijke informatie bewaard wordt

Toro bewaart uw persoonlijke informatie zolang deze relevant is voor de bovengenoemde doeleinden en in overeenstemming is met de wettelijke vereisten. Gelieve contact op te nemen via [legal@toro.com](mailto:legal@toro.com) voor meer informatie over de bewaarperiodes die van toepassing zijn.

### Toro's engagement inzake veiligheid

Uw persoonlijke informatie kan behandeld worden in de VS of een ander land dat mogelijk soepelere databeschermingswetten heeft dan het land waar u verblijft. Indien we uw informatie overdragen naar een ander land dan het land waar u verblijft, nemen wij de wettelijk verplichte maatregelen om ervoor te zorgen dat de informatie op gepaste wijze wordt beschermd en veilig wordt behandeld.

### Toegang en correctie

U hebt het recht om uw persoonlijke gegevens te corrigeren of te raadplegen, of zich te verzetten tegen de verwerking van uw gegevens of deze te beperken. Om deze rechten uit te oefenen, gelieve een e-mail te sturen naar [legal@toro.com](mailto:legal@toro.com). Als u zich zorgen maakt over de manier waarop Toro uw informatie heeft behandeld, vragen wij u om deze direct ten aanzien van ons te uiten. Europese burgers hebben het recht om een klacht in te dienen bij hun gegevensbeschermingsautoriteit.



**Count on it.**



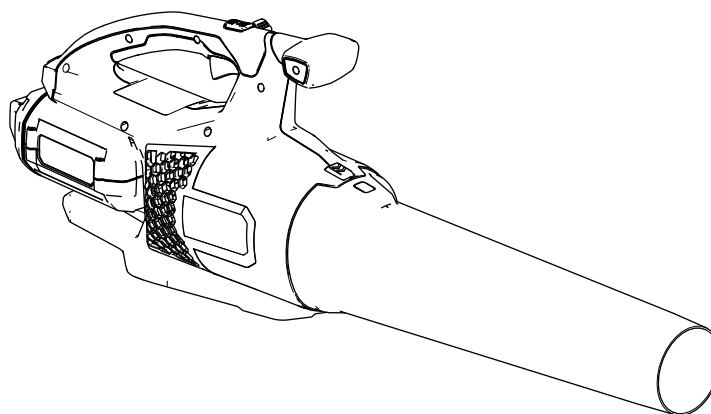
**Count on it.**

Form No. 3442-135 Rev B

**Brakerhåndbok**

# Flex-Force Power System™ - aksialblåser, maks. 60 V

Modellnr. 51825T—Serienr. 321000001 og oppover





Hvis du trenger hjelp, kan du se [www.Toro.com/support](http://www.Toro.com/support) for instruksjonsvideoer eller kontakte et autorisert forhandlerverksted før du returnerer dette produktet.

## Innledning

Denne blåseren er beregnet på privat bruk for å fjerne løv og rusk utendørs etter behov. Den er utformet for bruk med Toros Flex-Force litiumionbatteripakke av modell 81820, 81825, 81850, 81860 eller 81875. Hvis du bruker dette produktet til andre formål enn det er beregnet på, kan du utsette deg selv eller tilskuere for fare.

Les denne håndboken nøye, slik at du lærer å bruke og vedlikeholde produktet på riktig måte og unngår person- eller produktskade. Du har ansvar for å bruke produktet på en riktig og sikker måte.

Gå til [www.Toro.com](http://www.Toro.com) for mer informasjon, inkludert sikkerhetstips, opplæringsmateriale og informasjon om tilbehør, hjelp til å finne en forhandler eller for å registrere produktet ditt.

**Modell 51825T inkluderer ikke et batteri eller en lader.**

## Sikkerhet

ADVARSEL: Når du bruker elektriske hageapparater, må du alltid følge de grunnleggende sikkerhetsreglene for å redusere faren for brann, elektrisk støt og personskader, inkludert følgende:

## VIKTIGE SIKKERHETS- INSTRUKSJONENE

### I. Opplæring

1. Operatøren av apparatet er ansvarlig for eventuelle ulykker eller farer som oppstår for andre eller deres eiendom.
2. Ikke la barn bruke eller leke med apparatet, batteripakken eller batteriladeren. Lokalt regelverk kan sette aldersgrense for bruk av apparatet.
3. Ikke la personer med reduserte fysiske, sensoriske eller mentale evner, eller mangel på erfaring og kunnskap, bruke apparatet, batteripakken eller batteriladeren, med mindre de er under tilsyn eller har fått instruksjon i sikker bruk av det og forstår farene som er involvert, ved å bruke det.
4. Les alle instruksjonene og advarselsmerkingene på laderen og batteripakken før du bruker apparatet, batteripakken og batteriladeren.
5. Bli kjent med kontrollene og riktig bruk av apparatet, batteripakken og batteriladeren.

### II. Forberedelser

1. Hold tilskuere og barn unna driftsområdet.
2. Bruk bare batteripakken som angitt av Toro. Bruk av annet tilbehør og utstyr kan øke risikoen for personskade og brann.
3. Tilkobling av batteriladeren til en stikkontakt som ikke er 100–240 V, kan forårsake brann eller elektrisk støt. Ikke koble batteriladeren til en stikkontakt annet enn 100–240 V. Ved kobling til andre typer strømforsyninger kan en pluggadapter for riktig strømuttak benyttes ved behov.
4. Ikke bruk en skadet eller modifisert batteripakke eller batterilader, som kan utvise uforutsigbar adferd som resulterer i brann, eksplosjon eller risiko for personskade.
5. Hvis batteripakkens strømkabel er skadet, må du ta kontakt med en autorisert serviceverksted for å få en ny kabel.
6. Ikke bruk ikke-oppladbare batterier.
7. Lad kun batteripakken med batteriladeren som er spesifisert av Toro. En lader som er egnet for én type batteripakke, kan medføre en



- risiko for brann hvis den brukes med en annen batteripakke.
8. Lad batteripakken kun på et godt ventilert område.
  9. Ikke utsett en batteripakke eller batterilader for brann eller temperaturer over 68 °C.
  10. Følg alle instruksjoner for lading, og ikke lad eller oppbevar batteripakken ved andre temperaturer enn områdene som er angitt i instruksjonene. Ellers kan du skade batteripakken og øke risikoen for brann.
  11. Bruk aldri apparatet uten at alle verneplater og andre sikkerhetsanordninger sitter på plass og fungerer som tiltenkt.
  12. Ha på egnet tøy – ha på deg passende klær, inkludert vernebriller, vernebukser, sklissikkert og kraftig fottøy og hørselsvern. Sett opp langt hår, og ikke bruk fritthengende smykker som kan bli fanget opp av bevegelige deler. Bruk en støvmaske i støvete driftsforhold.

### III. Bruk

1. Unngå farlige miljøer – ikke bruk apparatet i regn eller på fuktige eller våte steder.
2. Bruk riktig apparat for bruksområdet – bruk av apparatet til andre formål enn tiltenkt bruk, kan vise seg å være farlig for deg og tilskuere.
3. Forhindre utilsiktet start – påse at svitsjen er i AV-posisjon før du kobler til batteripakken og håndterer apparatet. Ikke bær apparatet med fingeren på bryteren eller aktiver apparatet med bryteren i PÅ-posisjon.
4. Apparatet må bare brukes i dagslys eller der det er god kunstig belysning.
5. Fjern batteripakken fra apparatet før du justerer det eller skifter tilbehør.
6. Hold hendene og føttene borte fra åpningen og alle bevegelige deler.
7. Stans apparatet, fjern batteripakken fra det og vent til alle bevegelser stopper før du justerer, vedlikeholder, rengjør eller lagrer apparatet.
8. Fjern batteripakken fra apparatet når du forlater det uten tilsyn.
9. Ikke tving apparatet – la det gjøre jobben bedre og tryggere i hastigheten den ble utformet for.
10. Ikke strekk deg for langt – hold riktig fotfeste og balanse til enhver tid, spesielt i skråninger. Gå, ikke løp med apparatet.
11. Vær oppmerksom – følg med på det du gjør, og vær fornuftig når du bruker apparatet. Ikke bruk apparatet når du er syk, trett eller påvirket av alkohol eller andre rusmidler.

12. Kontroller at ventilasjonsåpningene ikke er tilstoppet med rusk.
13. Ikke sett inn noe objekt i åpningen eller bruk apparatet med en blokkert åpning. Hold åpningen fri for støv, lo, hår eller annet som kan redusere luftstrømmen.
14. Vær ekstra forsiktig når du bruker apparatet til å rengjøre trapper.
15. Under tøffe forhold kan batteripakken utskille væske. Unngå kontakt med væsken. Hvis du ved et uhell kommer i kontakt med væsken, skyl med vann. Hvis væsken kommer i kontakt med øynene, må du søke medisinsk hjelp. Væske som skilles ut fra batteriet, kan forårsake irritasjon eller brannskader.
16. **FORSIKTIG** – En feilbehandlet batteripakke kan utgjøre en risiko for brann eller kjemiske brannskader. Ikke demonter batteripakken. Ikke varm batteripakken til over 68 °C eller tenn på den. Erstatt batteripakken med kun en original Toro-batteripakke. Bruk av en annen type batteripakke kan forårsake brann eller eksplosjon. Hold batteripakker utilgjengelig for barn og i den opprinnelige emballasjen til du er klar til bruke dem.

### IV. Vedlikehold og lagring

1. Vedlikehold apparatet nøye – hold det rent og i god stand for best mulig ytelse og for å redusere risikoen for personskade. Følg instruksjonene for smøring og bytte av tilbehør. Hold håndtakene tørre, rene og frie for olje og fett.
2. Når batteripakken ikke er i bruk, hold den borte fra metallgjenstander som binders, mynter, nøkler, spiker og skruer som kan danne en forbindelse fra en klemme til en annen. Hvis batteriklemmene kortslutter, kan det forårsake brannskår eller brann.
3. Hold hendene og føttene borte fra bevegelige deler.
4. Stans apparatet, fjern batteripakken fra det og vent til alle bevegelser stopper før du justerer, vedlikeholder, rengjør eller lagrer apparatet.
5. Kontroller apparatet for skadede deler – hvis det finnes skadede verneplater eller andre deler, må du avgjøre om det vil fungere korrekt. Se etter feiljusterte og binding av bevegelige deler, ødelagte deler, fester og eventuelle andre forhold som kan påvirke driften. Med mindre det er angitt i instruksjonene, må en autorisert serviceforhandler reparere eller skifte ut et skadet vern eller en skadet del.
6. Hold alle festene på apparatet stramme.

7. Ikke prøv å betjene eller reparere apparatet, batteripakken eller batteriladeren, bortsett fra det som er angitt i instruksjonene. Få en autorisert serviceforhandler til å utføre service ved å bruke identiske reservedeler for å sikre at produktet vedlikeholdes på en sikker måte.
8. Oppbevar et inaktivt apparat innendørs på et sted som er tørt, sikkert og utilgjengelig for barn.
9. Du må ikke kaste et batteri inn i flammer. Cellen kan eksplodere. Sjekk lokale forskrifter for mulige spesielle avhendingsinstruksjoner.

## TA VARE PÅ DISSE INSTRUKSJONENE

## Sikkerhets- og instruksjonsmerker



Sikkerhetsmerker og -instruksjoner er lett synlige for operatøren og er plassert i nærheten av alle områder som representerer en potensiell fare. Bytt ut alle merker som er ødelagte eller mangler.



140-8498

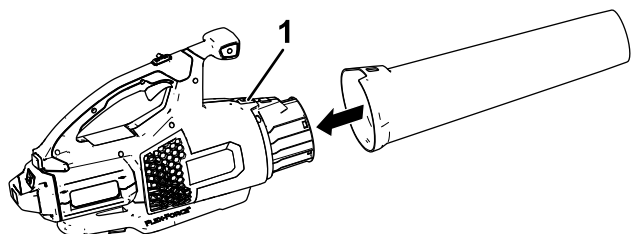
decal140-8498

1. Advarsel: Les *brugerhåndboken*. Hold deg unna bevegelige deler. Oppbevar alle verne og skydd på plass. Bruk hørselsvern. Bruk vernebriller. Må ikke utsettes for regn.
2. Advarsel – hold tilskuere på god avstand fra maskinen i alle retninger.
3. Fare for at gjenstander slynges gjennom luften – hold tilskuere på god avstand.
4. Må ikke kastes.

# Montering

## Montere blåseren

Skyv blåserøret på blåserhuset. Du må kanskje trykke ned tappen for blåserøret for å låse det på plass (Figur 1).

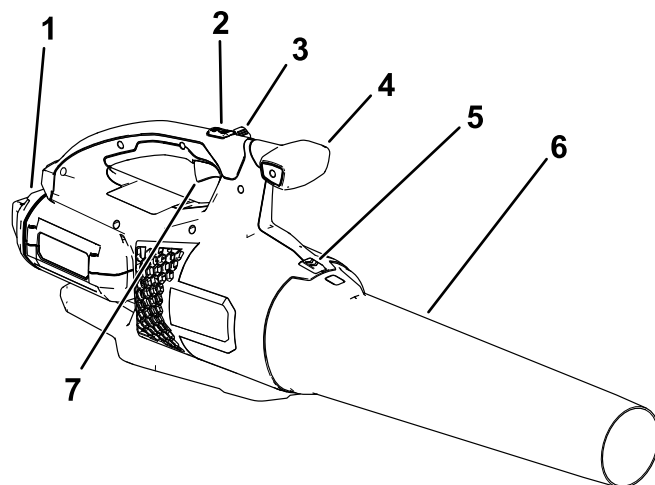


Figur 1

g273147

1. Rørtapp

# Oversikt over produktet



g335835

Figur 2

- 1. Batteri og batterihulrom
- 2. Turboknapp
- 3. Hastighetslås
- 4. Håndtaksknott
- 5. Blåserørlås
- 6. Blåserør
- 7. Utløser for variabel hastighet

## Spesifikasjoner

Modell	51825T
Merkespenning	Maks. 60 V DC, 54 VDC nominell bruk
Ladertype	81802 eller 81805
Batteritype	81820, 81825, 81850, 81860 eller 81875

## Passende temperaturområder

Lad/oppbevar batteripakken ved	5 °C til 40 °C*
Bruk batteripakken ved	-30 °C til 49 °C
Bruk blåseren ved	0 °C til 49 °C

\*Ladetiden øker hvis du ikke lader batteriet innenfor dette området. Oppbevar verktøyet, batteripakken og batterilader i et innelukket, rent, tørt område.

# Bruk

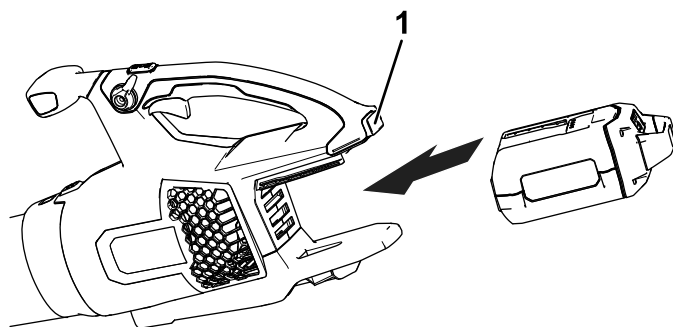
## ⚠ ADVARSEL

Blåseren kan slynge rusk, noe som kan forårsake alvorlige personskader på deg eller andre personer.

- Ikke blås harde gjenstander som spikre eller bolter.
- Ikke bruk blåseren i nærheten av andre personer eller dyr.
- Pass på hvor du blåser (dvs. blås bort fra tilskuere, vinduer, biler osv.). Bruk kun så mye hastighet som nødvendig.
- Vær svært forsiktig når du rengjør rusk fra trapper eller andre trange områder.
- Ha på egnet tøy – ha på deg passende klær, inkludert vernebriller, vernebukser, sklisikkert og kraftig fottøy og hørselsvern. Sett opp langt hår, og ikke bruk fritthengende smykker som kan bli fanget opp av bevegelige deler. Bruk en støvmaske i støvete driftsforhold.

## Starte blåseren

1. Påse at ventilene på blåseren er frie for støv og rusk.
2. Innrett kammeret i batteripakken med koblingsarmen på håndtakshuset (Figur 3).
3. Ta tak i håndtaket og skyv batteripakken inn i håndtaket til låsen låses på plass (Figur 1).



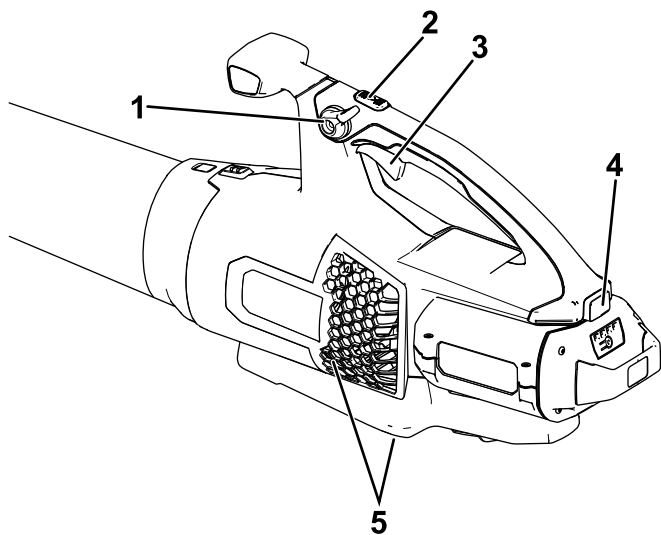
Figur 3

g273146

1. Batterilås

4. For å starte blåseren klemmer du på utløseren for variabel hastighet (Figur 4).

**Merk:** Aktiver hastighetslåsen for å holde maskinen på uten å trykke på utløseren for variabel hastighet (Figur 4).



Figur 4

g267241

- |                                   |                                  |
|-----------------------------------|----------------------------------|
| 1. Hastighetslås                  | 4. Batterilås                    |
| 2. Turboknapp                     | 5. Blåserens ventilasjonsområder |
| 3. Utløser for variabel hastighet |                                  |

## Justere lufthastigheten til blåseren

For å oppnå maksimal ytelse (lufthastighet) må du trykke den variable hastighetsutløseren helt ned. Deretter trykker og holder du inne turboknappen i ønsket tidsperiode (Figur 4).

Bruk utløseren for variabel hastighet for å justere lufthastigheten mens du blåser (Figur 4).

Aktiverer hastighetslåsen for å holde en jevn lufthastighet (Figur 4).

## Slå av blåseren

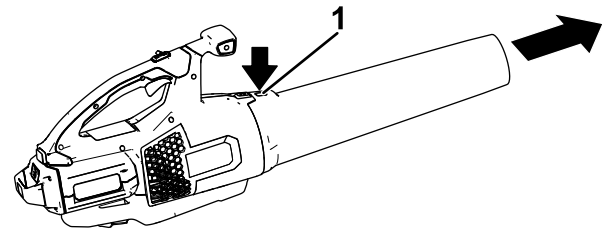
For å stoppe blåseren kobler du fra hastighetslåsen (hvis den er i bruk) og slipper utløseren for variabel hastighet (Figur 4).

**Viktig:** Etter at du har stoppet blåseren, må du ikke la hastighetslåsen være aktivert med batteripakken i blåseren.

Fjern batteripakken når du ikke bruker blåseren eller transporterer blåseren til eller fra arbeidsområdet.

## Fjerne blåserøret

Trykk ned tappen for å skille blåserøret fra blåseren (Figur 5).



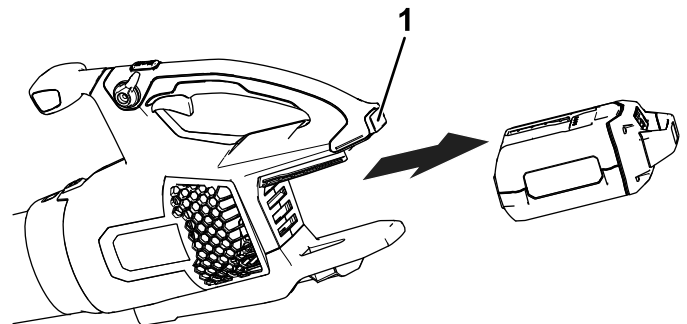
Figur 5

g273159

1. Rørtapp

## Fjerne batteriet fra blåseren

Trykk på batterilåsen på maskinen for å frigjøre batteripakken, og skyv batteripakken ut av blåseren (Figur 6).



Figur 6

g267488

1. Batterilås

# Oppbevaring

**Viktig:** Oppbevar verktøyet, batteripakken og laderen kun i temperaturer som er innenfor riktig område. Se [Spesifikasjoner \(side 5\)](#).

**Viktig:** Hvis du skal oppbevare batteripakken utenfor sesongen, fjern batteripakken fra verktøyet og lad batteripakken til to eller tre LED-indikatorer blir grønne på batteriet. Ikke oppbevar et fulladet eller helt utladet batteri. Når du vil bruke verktøyet igjen, lader du batteripakken til den venstre indikatorlampen på laderen blir grønn eller alle fire LED-indikatorene på batteriet blir grønne.

- Koble produktet fra strømforsyningen (dvs. fjern pluggen fra strømforsyningen eller batteripakken) og kontroller det for skade etter bruk.
- Ikke oppbevar verktøyet med batteripakken montert.
- Fjern alle fremmedlegemer fra produktet.
- Oppbevar verktøyet, batteripakken og batteriladeren utilgjengelig for barn når de ikke er i bruk.
- Hold verktøyet, batteripakken og batteriladeren borte fra korroderende midler som hagekjemikalier og avisingssalter.
- For å redusere risikoen for alvorlig personskaade må du ikke oppbevare batteripakken utendørs eller i kjøretøy.
- Oppbevar verktøyet, batteripakken og batterilader i et innelukket, rent, tørt område.

# Feilsøking

Utfør kun trinnene beskrevet i disse instruksjonene. Alt ytterligere inspeksjons-, vedlikeholds- og reparasjonsarbeid må utføres av et autorisert serviceverksted eller en tilsvarende kvalifisert spesialist hvis du ikke kan løse problemet selv.

Problem	Mulig årsak	Løsning
Verktøyet starter ikke.	<ol style="list-style-type: none"><li>1. Batteriet er ikke fullstendig montert i verktøyet.</li><li>2. Batteripakken er ikke ladet.</li><li>3. Batteripakken er skadet.</li><li>4. Det er et annet elektrisk problem med verktøyet.</li></ol>	<ol style="list-style-type: none"><li>1. Fjern og sett deretter batteriet inn i verktøyet igjen, og påse at det er fullstendig montert og låst.</li><li>2. Fjern batteripakken fra verktøyet og lad det.</li><li>3. Bytt ut batteripakken.</li><li>4. Kontakt et autorisert forhandlerverksted.</li></ol>
Verktøyet når ikke full effekt.	<ol style="list-style-type: none"><li>1. Batteripakkens ladekapasitet er for lav.</li><li>2. Luftventilene er blokkert.</li></ol>	<ol style="list-style-type: none"><li>1. Fjern batteripakken fra verktøyet og lad batteripakken helt opp.</li><li>2. Rengjør luftventilene.</li></ol>
Verktøyet kjører ikke eller kjører ikke uten avbrudd.	<ol style="list-style-type: none"><li>1. Det er fuktighet på ledningene til batteripakken.</li><li>2. Batteriet er ikke fullstendig montert i verktøyet.</li><li>3. Batteripakken har lav lading.</li></ol>	<ol style="list-style-type: none"><li>1. La batteripakken tørke eller tørk den tørr.</li><li>2. Fjern og sett deretter batteriet inn i verktøyet igjen, og påse at det er fullstendig montert og låst.</li><li>3. Lad batteripakken.</li></ol>
Hastighetslåsen forblir ikke aktivert.	<ol style="list-style-type: none"><li>1. Hastighetslås-skruen er løs.</li></ol>	<ol style="list-style-type: none"><li>1. Stram hastighetslås-skruen ved å dreie skruen ¼ omdreining. Hvis hastighetslåsen fortsatt ikke forblir aktivert, dreier hastighetslås-skruen ytterligere ¼ omdreining.</li></ol>

**Notat:**



## Personvernerklæring for EØS/Storbritannia

### Slik bruker Toro personopplysningene dine

Toro Company («Toro») respekterer ditt personvern. Når du kjøper våre produkter, kan vi samle inn personopplysninger om deg, enten direkte fra deg eller via den lokale Toro-avdelingen eller -forhandleren. Toro bruker disse opplysningene for å innfri kontraktsfestede forpliktelser – slik som å registrere garantien din, behandle garantikravet ditt eller kontakte deg i tilfelle en produkttilbakekalling – og til legitime forretningsformål – slik som å måle kundetilfredshet, forbedre produktene våre og utstyre deg med produktinformasjon som kan være av interesse. Toro kan dele personopplysningene dine med våre datterselskaper, forhandlere eller andre forretningspartnere i forbindelse med disse aktivitetene. Vi kan også oppgi personopplysninger når dette kreves under loven eller i forbindelse med salg, kjøp eller sammenslåing av en virksomhet. Vi vil ikke selge personopplysningene dine til andre selskaper for markedsføringsformål.

### Bevaring av personopplysninger

Toro vil bevare dine personopplysninger så lenge som det er relevant for de ovennevnte formålene og i samsvar med lovfestede krav. Hvis du vil ha mer informasjon om gjeldende bevaringsperioder, kan du kontakte [legal@toro.com](mailto:legal@toro.com).

### Toros forpliktelse til sikkerhet

Personopplysningene dine kan behandles i USA eller et annet land som kan ha mindre strenge personvernlover enn landet du er bosatt i. Når vi overfører opplysningene dine utenfor landet du er bosatt i, vil vi iverksette lovfestede, påbudte tiltak for å sikre at det er på plass skikkelige vern som beskytter opplysningene dine og sikrer at de behandles sikkert.

### Tilgang og korrigering

Du kan ha retten til å korrigere eller gjennomgå personopplysningene dine eller motsette deg eller begrense behandlingen av opplysningene dine. For å gjøre dette må du kontakte oss på e-post på [legal@toro.com](mailto:legal@toro.com). Hvis du har bekymringer om hvordan Toro har behandlet personopplysningene dine, oppfordrer vi deg til å ta dette opp direkte med oss. Merk at europeiske innbyggere har rett til å klage til sitt nasjonale datatilsynsorgan.



**Count on it.**

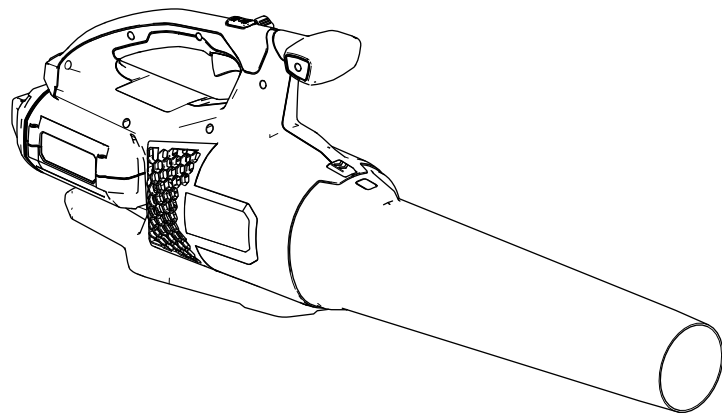


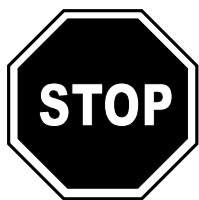
**Count on it.**

**Podręcznik operatora**

# Dmuchawa osiowa Flex-Force Power System™ 60V MAX

Model nr 51825T—Numer seryjny 321000001 i wyższe





**W razie potrzeby uzyskania pomocy przed oddaniem tego produktu zapraszamy do odwiedzenia strony [www.Toro.com/support](http://www.Toro.com/support), na której można znaleźć filmy instruktażowe, lub kontakt z autoryzowanym przedstawicielem serwisowym.**

## Wprowadzenie

Dmuchawa jest przeznaczona dla użytkowników domowych do usuwania liści i podobnych zanieczyszczeń na terenach przydomowych. Są one zaprojektowane do pracy z akumulatorem litowo-jonowym Toro Flex-Force typu 81820, 81825, 81850, 81860 lub 81875. Używanie produktu w celach niezgodnych z jego przeznaczeniem może okazać się niebezpieczne dla operatora i osób postronnych.

Przeczytaj uważnie poniższe informacje, aby poznać zasady właściwej obsługi i konserwacji urządzenia, nie uszkodzić go i uniknąć obrażeń ciała. Odpowiedzialność za prawidłowe i bezpieczne użytkowanie produktu spoczywa na Tobie.

Odwiedź [www.Toro.com](http://www.Toro.com), aby uzyskać więcej informacji, w tym dotyczących bezpieczeństwa, materiałów szkoleniowych, informacji na temat akcesoriów, pomocy w znalezieniu autoryzowanego sprzedawcy lub rejestracji produktu.

**Model 51825T jest dostarczany bez akumulatora i bez ładowarki.**

## Bezpieczeństwo

**OSTRZEŻENIE** – Podczas użytkowania elektrycznych narzędzi ogrodowych należy zawsze przestrzegać podstawowych zaleceń bezpieczeństwa, które pozwolą ograniczyć ryzyko powstania pożaru, porażenia prądem i obrażeń ciała. Są to w szczególności:

### WAŻNE INSTRUKCJE

#### INSTRUKCJĘ

##### I. Szkolenie

1. Operator urządzenia ponosi odpowiedzialność za wszelkie wypadki i zagrożenia dotyczące innych osób lub ich mienia.
2. Nie wolno pozwalać dzieciom na korzystanie lub zabawę urządzeniem, akumulatorem lub jego ładowarką. Lokalne przepisy prawa mogą ograniczać wiek operatora.
3. Nie wolno pozwalać, aby z urządzenia, akumulatora lub ładowarki akumulatorów korzystały osoby o ograniczonych zdolnościach fizycznych, sensorycznych lub umysłowych lub osoby bez doświadczenia i wiedzy na temat ich użytkowania, chyba że zostaną one poinstruowane lub będą nadzorowane pod kątem bezpiecznego użytkowania urządzenia i rozumieją związane z tym zagrożenia.
4. Przed użyciem urządzenia, akumulatora oraz ładowarki akumulatorów należy przeczytać wszelkie instrukcje i oznaczenia ostrzegawcze na tych produktach.
5. Należy zapoznać się z elementami sterowania i prawidłową obsługą urządzenia, akumulatora i ładowarki akumulatorów.

##### II. Przygotowanie

1. Nie zezwalaj osobom postronnym i dzieciom na podchodzenie w pobliże obszaru pracy.
2. Używaj wyłącznie akumulatora zalecanego przez firmę Toro. Używanie innych akcesoriów i osprzętu może zwiększyć ryzyko obrażeń i pożaru.
3. Podłączenie ładowarki akumulatorów do gniazdka o napięciu innym niż od 100 do 240 V może spowodować pożar lub porażenie prądem. Nie wolno podłączać ładowarki akumulatorów do gniazdka innego niż o napięciu od 100 do 240 V. W celu podłączenia do gniazdka o innym napięciu należy użyć adaptera odpowiedniego dla danego rodzaju gniazdka.
4. Nie wolno używać uszkodzonego lub zmodyfikowanego akumulatora ani ładowarki akumulatorów, gdyż mogą one funkcjonować

- w sposób nieprzewidziany lub nawet zapalić się, wybuchnąć albo stworzyć zagrożenie dla zdrowia.
5. W przypadku uszkodzenia przewodu zasilającego ładowarki skontaktuj się z przedstawicielem autoryzowanego serwisu w celu jego wymiany.
  6. Nie używaj akumulatorów jednorazowego użytku.
  7. Do ładowania akumulatorów stosuj wyłącznie ładowarkę zalecaną przez firmę Toro. Ładowarka przeznaczona do jednego typu akumulatorów może przy użyciu z innym rodzajem akumulatora stwarzać ryzyko wywołania pożaru.
  8. Akumulator należy ładować wyłącznie w dobrze wentylowanym miejscu.
  9. Nie wystawiaj akumulatora ani ładowarki akumulatorów na działanie ognia lub temperatur powyżej 68°C.
  10. Postępuj zgodnie z wszystkimi instrukcjami ładowania i unikaj ładowania akumulatora, gdy temperatura przekracza zakres podany w instrukcjach. W przeciwnym razie może dojść do uszkodzenia akumulatora i zagrożenia powstaniem pożaru.
  11. Zabronione jest używanie urządzenia bez założonych i poprawnie funkcjonujących wszystkich osłon oraz innych urządzeń ochronnych.
  12. Ubierz się odpowiednio – Noś odpowiednią odzież, w tym ochronę oczu, długie spodnie, pełne obuwie robocze z podeszwą antypoślizgową i ochronniki słuchu. Zwiąż włosy, jeśli są długie, i nie noś zwisającej biżuterii, która mogłaby zostać pochwycona przez poruszające się części. Przy pracy w warunkach wysokiego zapylenia noś maskę przeciwpylową.
- ### III. Obsługa
1. Unikaj niebezpiecznych warunków pracy – Nie używaj urządzeń w wilgotnych lub mokrych warunkach.
  2. Używaj produktu odpowiedniego do wykonywanej pracy – Używanie produktu w celach niezgodnych z jego przeznaczeniem może okazać się niebezpieczne dla operatora i osób postronnych.
  3. Zabezpiecz urządzenie przed niezamierzonym uruchomieniem – Przed podłączeniem akumulatora oraz przed podniesieniem lub przenoszeniem urządzenia upewnij się, że wyłącznik jest w pozycji WYŁĄCZONEJ. Nie przenoś urządzenia trzymając palec na wyłączniku ani nie podłączaj źródła zasilania do urządzenia, jeżeli wyłącznik jest w pozycji WŁĄCZONEJ.
  4. Używaj urządzenia wyłącznie przy świetle dziennym lub przy dobrym oświetleniu sztucznym.
  5. Przed wykonaniem regulacji lub zmianą akcesoriów odłączaj akumulator od urządzenia.
  6. Nie zbliżaj dłoni ani stóp do otworu dmuchawy oraz jej wszelkich ruchomych elementów.
  7. Przed wykonaniem regulacji, serwisowaniem, czyszczeniem lub odłożeniem urządzenia do przechowywania należy je wyłączyć, odłączyć akumulator i poczekać do zatrzymania wszystkich ruchomych elementów.
  8. Akumulator należy odłączać od urządzenia zawsze, gdy jest ono pozostawiane bez nadzoru.
  9. Nie należy zmuszać urządzenia do intensywnej pracy – Urządzenie wykona zadanie lepiej i bezpieczniej z prędkością, do której zostało zaprojektowane.
  10. Nie należy sięgać urządzeniem zbyt daleko – Należy zawsze utrzymywać stabilną postawę i równowagę, w szczególności na terenach pochyłych. Podczas obsługi urządzenia nie wolno z nim biegać.
  11. Należy zachować czujność – Podczas pracy z użyciem urządzenia należy być czujnym i stosować zasady zdrowego rozsądku. Nie wolno używać urządzenia będąc chorym, zmęczonym lub pod wpływem alkoholu lub narkotyków.
  12. Należy utrzymywać otwory wentylacyjne w stanie wolnym od zanieczyszczeń.
  13. Nie wkładaj do otworu dmuchawy żadnych przedmiotów i nie używaj jej, gdy otwór wylotowy jest zablokowany. Utrzymuj otwór w stanie wolnym od pyłu, strzępów tkanin, włosów/sierści lub jakichkolwiek przedmiotów, które mogłyby utrudnić przepływ powietrza.
  14. Zachowaj ostrożność podczas oczyszczania schodów za pomocą urządzenia.
  15. W przypadku niewłaściwego obchodzenia się z akumulatorem może z niego wydostawać się ciecz – należy unikać kontaktu z nią. W razie przypadkowego kontaktu z tą cieczą należy ją spłukać wodą. W razie kontaktu cieczy z oczami należy zwrócić się o pomoc lekarską. Ciecz wydostająca się z akumulatora może powodować podrażnienie lub poparzenie.
  16. UWAGA – Niewłaściwe obchodzenie się z akumulatorem może stanowić ryzyko pożaru lub poparzenia substancjami chemicznymi. Nie demontuj akumulatora. Nie wystawiaj

akumulatora na działanie temperatury powyżej 68°C i nie wrzucaj go do ognia. Wymieniaj akumulator tylko na oryginalny akumulator marki Toro. Użycie akumulatora innego producenta może spowodować pożar lub wybuch. Trzymaj akumulatory poza zasięgiem dzieci i przechowuj je w oryginalnym opakowaniu do momentu, gdy będziesz gotowy do ich użycia.

8. Nieużywane urządzenie należy przechowywać w pomieszczeniu w miejscu suchym, bezpiecznym i znajdującym się poza zasięgiem dzieci.
9. Nie wrzucaj akumulatorów do ognia, ogniwo może wybuchnąć. Sprawdź ewentualne szczególne wymagania dotyczące utylizacji według obowiązujących przepisów.

#### IV. Konserwacja i przechowywanie

1. Należy dbać o urządzenie – Aby uzyskać najlepsze osiągi i zmniejszyć ryzyko powstania obrażeń, należy utrzymywać urządzenie w czystości oraz w dobrym stanie technicznym. Przestrzegaj instrukcji smarowania i wymiany akcesoriów. Uchwyty utrzymuj w stanie suchym, czystym i wolnym od oleju i smarów.
2. Gdy akumulator nie jest używany, trzymaj go z dala od metalowych przedmiotów, takich jak spinacze do papieru, monety, klucze, gwoździe i wkręty, gdyż mogłyby one spowodować zwarcie między biegunami. Zwarcie biegunów akumulatora może spowodować poparzenia lub pożar.
3. Ręce i nogi operatora muszą znajdować się w bezpiecznej odległości od części ruchomych.
4. Przed wykonaniem regulacji, serwisowaniem, czyszczeniem lub odłożeniem urządzenia do przechowywania należy je wyłączyć, odłączyć akumulator i poczekać do zatrzymania wszystkich ruchomych elementów.
5. Należy sprawdzić urządzenie pod kątem uszkodzonych części – w przypadku uszkodzenia osłon lub innych części należy określić, czy będą one spełniać właściwie swoją rolę. Sprawdź części ruchome pod kątem niewłaściwego ustawienia lub zablokowania się, a pozostałe części pod kątem uszkodzeń i zamocowania lub dowolnego innego stanu mogącego mieć wpływ na użytkowanie urządzenia. Jeżeli w instrukcji nie określono inaczej, w celu naprawy lub wymiany uszkodzonych osłon lub elementów należy oddać urządzenie do autoryzowanego przedstawiciela serwisowego.
6. Pilnuj, aby wszystkie elementy mocujące na urządzeniu były mocno dociśnięte.
7. Nie należy podejmować prób serwisowania lub naprawy urządzenia, akumulatora ani ładowarki akumulatorów, chyba że zostanie to zalecone w instrukcji. Aby zagwarantować utrzymanie produktu w bezpiecznym stanie, należy oddać go do autoryzowanego przedstawiciela serwisowego w celu wykonania prac serwisowych z użyciem identycznych części zamiennych.

## **NALEŻY ZACHOWAĆ TĘ INSTRUKCJĘ**

# Naklejki informacyjne i ostrzegawcze



Etykiety dotyczące bezpieczeństwa oraz instrukcje są wyraźnie widoczne dla operatora i znajdują się w pobliżu wszystkich miejsc potencjalnego zagrożenia. Uszkodzone i brakujące etykiety należy wymienić.



decal140-8498

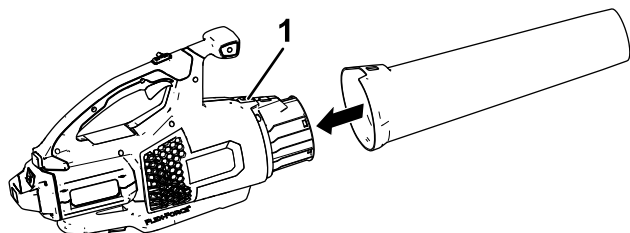
## 140-8498

1. Ostrzeżenie – zapoznaj się z *instrukcją obsługi*; nie zbliżaj się do części ruchomych; wszystkie osłony muszą być prawidłowo zainstalowane; stosuj ochronę słuchu; stosuj ochronę oczu; nie narażaj na działanie deszczu.
2. Ostrzeżenie – nie dopuszczaj osób postronnych w pobliżu urządzenia od żadnej strony.
3. Niebezpieczeństwo wyrzucania przedmiotów – należy pilnować, aby osoby postronne nie zbliżały się.
4. Nie wyrzucać.

# Montaż

## Montaż dmuchawy

Wsuń rurę dmuchawy do obudowy dmuchawy. W celu zamocowania rury na swoim miejscu konieczne może być naciśnięcie zatrzasku na rurze dmuchawy (Rysunek 1).

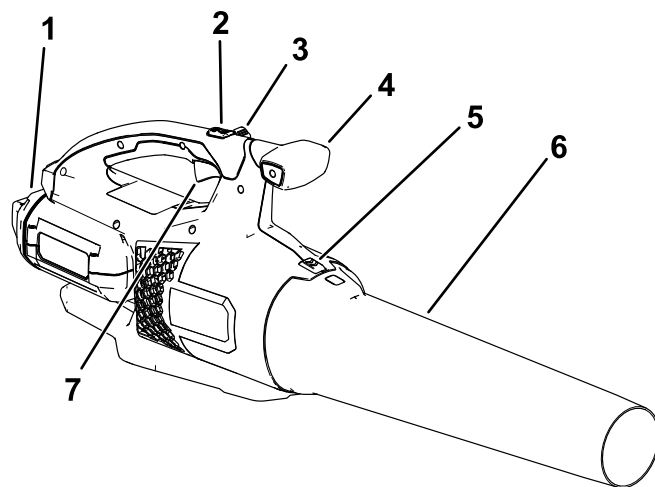


Rysunek 1

g273147

1. Zatrzask rury

# Przegląd produktu



g335835

Rysunek 2

- |                                    |   |
|------------------------------------|---|
| 1. Akumulator i komora akumulatora | 5. Zatrzask rury dmuchawy                       |
| 2. Przycisk Turbo Boost            | 6. Rura dmuchawy                                |
| 3. Blokada prędkości               | 7. Przycisk uruchamiający z regulacją prędkości |
| 4. Pokrętło dźwigni                |   |

## Specyfikacje

Model	51825T
Napięcie znamionowe	Maksymalnie 60 V, nominalnie 54 V prądu stałego
Rodzaj ładowarki	81802 lub 81805
Rodzaj akumulatora	81820, 81825, 81850, 81860 lub 81875

### Zakresy dopuszczalnej temperatury

Akumulator należy ładować/przechowywać w temperaturze	od 5°C do 40°C*
Akumulator należy użytkować w temperaturze	od -30°C do 49°C
Dmuchawę należy użytkować w temperaturze	od 0°C do 49°C

\*Czas ładowania ulegnie zwiększeniu w przypadku ładowania w temperaturze spoza tego zakresu.

Przechowuj narzędzie, akumulator i ładowarkę w zamkniętym, czystym i suchym miejscu.



# Działanie

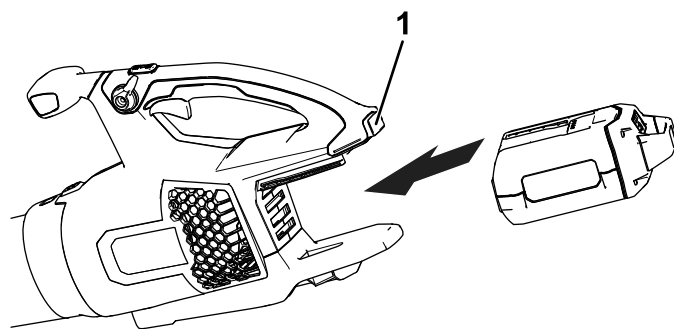
## ⚠ OSTRZEŻENIE

Dmuchała może spowodować odrzucenie zanieczyszczeń z dużą siłą, co może doprowadzić do obrażeń ciała operatora lub osób postronnych.

- Nie dmuchaj nią na twarde przedmioty, takie jak gwoździe lub śruby.
- Nie używaj dmuchały, jeżeli w pobliżu znajdują się osoby postronne lub zwierzęta.
- Zwracaj uwagę na kierunek dmuchania dmuchały (na przykład nie kieruj jej w stronę osób postronnych, okien, samochodów itp.). Używaj dmuchały tylko z taką prędkością, jaka jest wymagana.
- Podczas usuwania zanieczyszczeń ze schodów lub z wąskich przestrzeni należy zachować dodatkową ostrożność.
- Ubierz się odpowiednio – Noś odpowiednią odzież, w tym ochronę oczu, długie spodnie, pełne obuwie robocze z podeszwą antypoślizgową i ochronniki słuchu. Zwiąż włosy, jeśli są długie, i nie noś zwisającej biżuterii, która mogłaby zostać pochwycona przez poruszające się części. Przy pracy w warunkach wysokiego zapylenia noś maskę przeciwpyłową.

## Uruchamianie dmuchały

1. Upewnij się, że otwory wentylacyjne dmuchały są wolne od pyłu i zanieczyszczeń.
2. Ustaw wgłębienie w akumulatorze równo z wypustką na obudowie uchwyty (Rysunek 3).
3. Następnie trzymając za uchwyt wsuń akumulator do wnętrza uchwyty, dociskając go aż zaskoczy zapadka zatrasku (Rysunek 1).



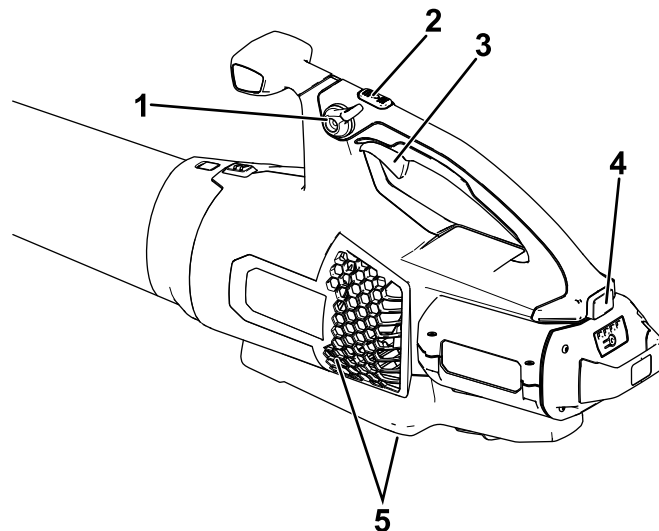
Rysunek 3

g273146

1. Zatrask akumulatora

4. Aby uruchomić dmuchała, naciśnij przycisk uruchamiający z regulacją prędkości (Rysunek 4).

**Informacja:** Wciśnij przycisk blokady prędkości, aby umożliwić pracę maszyny bez potrzeby przytrzymywania przycisku uruchamiającego z regulacją prędkości (Rysunek 4).



Rysunek 4

g267241

1. Blokada prędkości
2. Przycisk Turbo Boost
3. Przycisk uruchamiający z regulacją prędkości
4. Zatrask akumulatora
5. Otwory wentylacyjne dmuchały

# Regulacja prędkości podmuchu powietrza z dmuchawy

W celu uzyskania największej mocy (prędkości wydmuchu powietrza) dmuchawy naciśnij do końca przycisk uruchamiający z regulacją prędkości, a następnie naciśnij przycisk Turbo Boost i przytrzymaj go przez wymagany czas (Rysunek 4).

W celu zmiany prędkości powietrza w trakcie pracy dmuchawy należy użyć przycisku uruchamiającego z regulacją prędkości (Rysunek 4).

W celu utrzymania aktualnej prędkości powietrza należy użyć przycisku blokady prędkości (Rysunek 4).

# Wyłączanie dmuchawy

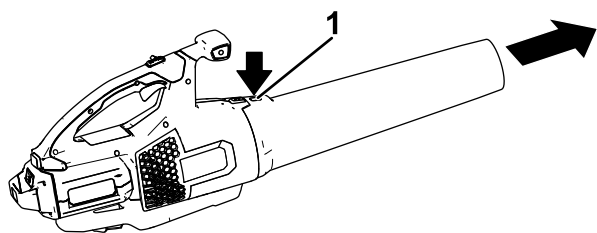
Aby wyłączyć dmuchawę, zwolnij przycisk blokady prędkości (jeśli jest używany) i puść przycisk uruchamiający z regulacją prędkości (Rysunek 4).

**Ważne:** Po zatrzymaniu dmuchawy nie zostawiaj wciśniętego przycisku blokady prędkości, jeśli do dmuchawy podłączony jest akumulator.

Wyjmuj akumulator zawsze, gdy nie używasz dmuchawy lub przewożysz dmuchawę do lub z obszaru roboczego.

# Odlączenie rury dmuchawy

W celu odlączenia rury dmuchawy od dmuchawy naciśnij wypustkę z zatrzaskiem (Rysunek 5).



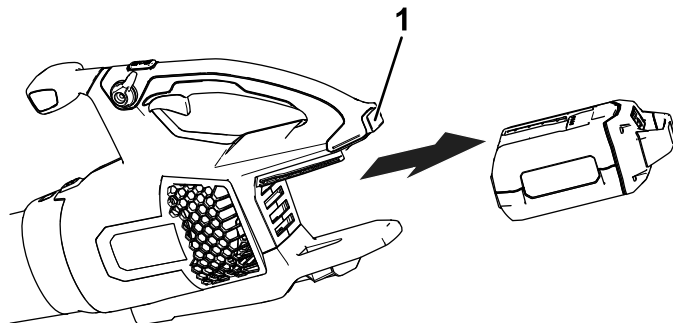
Rysunek 5

g273159

1. Zatrzask rury

# Odlączenie akumulatora od maszyny

Naciśnij zatrzask akumulatora, aby zwolnić zaczep akumulatora i wysunąć akumulator z dmuchawy (Rysunek 6).



Rysunek 6

g267488

1. Zatrzask akumulatora

# Przechowywanie

**Ważne:** Przechowuj narzędzie, akumulator i ładowarkę tylko w podanym zakresie temperatur, patrz [Specyfikacje \(Strona 6\)](#).

**Ważne:** W przypadku przechowywania akumulatora przez pozasezonowy okres nieużywania należy odłączyć akumulator od narzędzia i naładować akumulator do momentu, gdy na akumulatorze zaświecą się na zielono 2 lub 3 lampki LED. Nie przechowuj całkowicie naładowanego lub całkowicie rozładowanego akumulatora. Przed ponownym użyciem narzędzia naładuj akumulator do momentu, gdy lewa lampka na ładowarce zaświeci się na zielono lub gdy wszystkie 4 lampki na akumulatorze zaświecą się na zielono.

- Po użyciu odłącz produkt od zasilania (tzn. odłącz wtyczkę z gniazdka lub wyjmij akumulator) i sprawdź, czy nie został on uszkodzony.
- Nie przechowuj narzędzia z zainstalowanym akumulatorem.
- Oczyszczaj produkt z wszelkich substancji obcych.
- Narzędzie, akumulator i ładowarkę, jeśli nie są używane, przechowuj poza zasięgiem dzieci.
- Przechowuj narzędzie, akumulator i ładowarkę akumulatora z dala od agresywnych substancji, takich jak chemikalia ogrodowe lub sól do posypywania dróg.
- Aby ograniczyć ryzyko poważnych obrażeń, unikaj przechowywania akumulatora na zewnątrz budynków lub wewnątrz pojazdów.
- Przechowuj narzędzie, akumulator i ładowarkę w zamkniętym, czystym i suchym miejscu.

# Rozwiązywanie problemów

Wykonaj tylko czynności opisane w niniejszej instrukcji. Jeżeli nie uda się rozwiązać problemu samemu, wszelkie inne czynności kontrolne, konserwacyjne i naprawcze mogą być wykonywane tylko przez autoryzowany punkt serwisowy lub wykwalifikowanego specjalistę.

Problem	Możliwa przyczyna	Usuwanie usterek
Narzędzie nie daje się uruchomić.	<ol style="list-style-type: none"><li>1. Akumulator nie jest do końca wsunięty w narzędzie.</li><li>2. Akumulator nie jest naładowany.</li><li>3. Akumulator jest uszkodzony.</li><li>4. W narzędziu występuje inny problem natury elektrycznej.</li></ol>	<ol style="list-style-type: none"><li>1. Wyjmij i ponownie włóż akumulator w narzędzie, upewniając się, że jest on zamontowany do końca i zablokowany przez zatrzask.</li><li>2. Odłącz akumulator od narzędzia i naładuj go.</li><li>3. Wymień akumulator.</li><li>4. Skontaktuj się z przedstawicielem autoryzowanego serwisu.</li></ol>
Narzędzie nie osiąga pełnej mocy.	<ol style="list-style-type: none"><li>1. Stan naładowania akumulatora jest zbyt niski.</li><li>2. Otwory wentylacyjne są zablokowane.</li></ol>	<ol style="list-style-type: none"><li>1. Odłącz akumulator od narzędzia i naładuj go całkowicie.</li><li>2. Udrożnij otwory wentylacyjne.</li></ol>
Narzędzie nie daje się uruchomić lub nie pracuje w sposób ciągły.	<ol style="list-style-type: none"><li>1. Na stykach akumulatora znajduje się wilgoć.</li><li>2. Akumulator nie jest do końca wsunięty w narzędzie.</li><li>3. Akumulator ma niski poziom naładowania.</li></ol>	<ol style="list-style-type: none"><li>1. Odczekaj, aż akumulator wyschnie lub wytrzyj do sucha.</li><li>2. Wyjmij i ponownie włóż akumulator w narzędzie, upewniając się, że jest on zamontowany do końca i przytrzymywany przez zatrzask.</li><li>3. Naładuj akumulator.</li></ol>
Blokada prędkości nie utrzymuje prędkości po załączeniu.	<ol style="list-style-type: none"><li>1. Śruba blokady prędkości jest poluzowana.</li></ol>	<ol style="list-style-type: none"><li>1. Dokręć śrubę blokady prędkości, przekręcając ją o ¼ obrotu. Jeśli blokada prędkości dalej nie utrzymuje prędkości po załączeniu, przekręć śrubę blokady prędkości o dodatkową ¼ obrotu.</li></ol>

# Notatki:

## Powiadomienie dotyczące prywatności (EOG/Wielka Brytania)

### Korzystanie z Twoich informacji osobowych przez Toro

Firma The Toro Company („Toro”) szanuje prywatność użytkownika. Podczas zakupu naszych produktów możemy gromadzić pewne dotyczące użytkownika informacje osobowe pochodzące zarówno od użytkownika jak i od lokalnego oddziału firmy Toro lub sprzedawcy produktów marki Toro. Toro wykorzystuje takie dane do realizacji swoich zobowiązań wynikających z umowy – takich jak rejestracja gwarancji, realizacja zgłoszeń gwarancyjnych lub możliwość kontaktu z nabywcą w przypadku akcji wycofywania produktu – oraz w uzasadnionych celach biznesowych – na przykład do oceny zadowolenia klientów, udoskonalania naszych produktów lub dostarczania klientom informacji o mogących ich interesować produktach. Firma Toro może udostępniać te dane swoim spółkom zależnym, oddziałom, sprzedawcom lub innym partnerom biznesowym w związku z tymi działaniami. Mamy również prawo do ujawniania informacji osobowych, jeżeli jest to wymagane na mocy prawa lub w związku z zakupem, sprzedażą lub połączeniem się przedsiębiorstw. Nie sprzedamy danych osobowych naszych klientów dla celów marketingowych żadnej innej firmie.

### Przechowywanie Twoich informacji osobowych przez Toro

Toro będzie przechowywać dane osobowe naszych klientów tak długo, jak długo będą one istotne dla powyższych celów oraz zgodnie z wymogami prawnymi. Więcej informacji o stosownych okresach przechowywania danych można uzyskać wysyłając wiadomość na adres [legal@toro.com](mailto:legal@toro.com).

### Zaangażowanie firmy Toro w bezpieczeństwo

Twoje dane osobowe mogą być przetwarzane w USA lub innym kraju, który może mieć mniej surowe przepisy dotyczące ochrony danych niż Twój kraj zamieszkania. Ilekroć przenosimy Twoje dane poza Twój kraj zamieszkania, podejmiemy prawnie wymagane kroki w celu zapewnienia odpowiednich zabezpieczeń w celu ochrony Twoich informacji i upewnienia się, że są one traktowane w bezpieczny sposób.

### Dostęp i poprawianie danych

Użytkownik może mieć prawo do poprawiania lub weryfikacji swoich danych osobowych oraz do sprzeciwu lub ograniczenia przetwarzania danych. W tym celu prosimy o kontakt drogą elektroniczną pod adresem [legal@toro.com](mailto:legal@toro.com). W razie wątpliwości co do sposobu postępowania się Twoimi informacjami przez Toro zachęcamy do zgłoszenia wątpliwej sytuacji bezpośrednio do naszej firmy. Zwracamy uwagę na fakt, że mieszkańcy Unii Europejskiej mają prawo wniesienia skargi do Urzędu Ochrony Danych Osobowych.



**Count on it.**

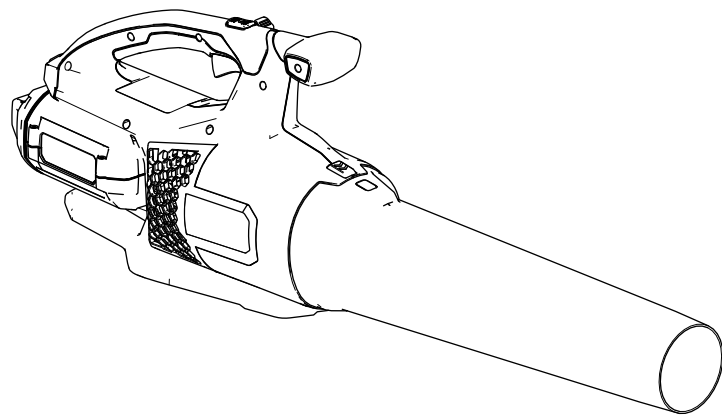


**Count on it.**

**Bruksanvisning**

**Flex-Force Power System™ 60 V  
MAX axialblåsmaskin**

Modellnr 51825T—Serienr 321000001 och högre





På [www.Toro.com/support](http://www.Toro.com/support) finns hjälp i form av instruktionsfilmer. Du kan också kontakta din auktoriserade återförsäljare innan du returnerar produkten.

## Introduktion

Denna lövblåsare är avsedd att användas av privatkunder för att flytta lövliknande skräp utomhus efter behov. Den är avsedd för användning med Toro Flex-Force-litiumjonbatterier av modellerna 81820, 81825, 81850, 81860 eller 81875. Det kan medföra fara för dig och kringstående om produkten används i andra syften än vad som avsetts.

Läs denna information noga så att du lär dig att använda och underhålla produkten på rätt sätt, och för att undvika person- och produktskador. Du är ansvarig för att produkten används på ett riktigt och säkert sätt.

Besök [www.Toro.com](http://www.Toro.com) för mer information, inklusive säkerhetsråd, utbildningsmaterial, information om tillbehör, hjälp med att hitta en återförsäljare eller för att registrera din produkt.

**Modell 51825T inkluderar varken batteri eller laddare.**

## Säkerhet

**VARNING:** Läs och följ alltid grundläggande säkerhetsanvisningar, inklusive nedanstående, för att minska risken för brand, elektriska stötar och personskador när du använder elutrustning i trädgården.

## VIKTIGA SÄKERHETS-ANVISNINGAR

### I. Utbildning

1. Utrustningens operatör ansvarar för eventuella olyckor eller faror som andra personer eller deras egendom utsätts för.
2. Låt inte barn använda eller leka med batteripaketet eller batteriladdaren. Lokala bestämmelser kan begränsa användarens ålder.
3. Tillåt inte personer med nedsatt fysisk, sensorisk eller mental förmåga, eller bristande erfarenhet och kunskap, att använda utrustningen, batteripaketet eller batteriladdaren, såvida de inte har fått instruktioner eller handledning i att använda dem på ett säkert sätt och förstår riskerna förknippade med användning.
4. Läs alla anvisningar och varningsmarkeringar på utrustningen, batteripaketet och batteriladdaren innan du använder dessa produkter.
5. Bekanta dig med reglagen och korrekt användning av utrustningen, batteripaketet och batteriladdaren.

### II. Förberedelser

1. Håll kringstående och barn borta från arbetsområdet.
2. Använd endast det batteripaket som angetts av Toro. Användning av andra tillbehör och fästansordningar kan öka risken för skador och brand.
3. Det kan leda till brand eller elektriska stötar om batteriladdaren ansluts till ett uttag som inte är mellan 100 och 240 V. Anslut inte batteriladdaren till ett annat uttag än 100 till 240 V. Om du vill ha en annan typ av anslutning ska du vid behov använda en anslutningsadapter för korrekt konfiguration av eluttaget.
4. Använd inte skadade eller modifierade batteripaket eller batteriladdare. Dessa kan ha ett oförutsägbart beteende som kan leda till brand, explosion och skaderisker.
5. Om elsladden till batteriladdaren är skadad ska du kontakta en auktoriserad återförsäljare för att byta ut den.
6. Använd inte icke-laddningsbara batterier.



7. Ladda batteripaketet endast med batteriladdaren som angetts av Toro. En laddare som är lämplig för en särskild typ av batteripaket kan utgöra en brandrisk om den används med ett annat batteripaket.
8. Ladda batteripaketet endast på en plats med god ventilation.
9. Utsätt inte batteripaketet eller batteriladdare för brand eller temperaturer över 68 °C.
10. Följ alla laddningsanvisningar och ladda inte batteripaketet utanför det temperaturintervall som anges i anvisningarna. Om du inte följer dessa anvisningar kan batteripaketet skadas och risken för brand ökar.
11. Kör endast utrustningen om skydd och andra säkerhetsanordningar sitter på plats och fungerar.
12. Klä dig lämpligt – använd lämpliga kläder, inklusive ögonskydd, långbyxor, rejäla och halkfria skor samt hörselskydd. Sätt upp långt hår och använd inte lösa smycken som kan fastna i rörliga delar. Använd munskydd vid dammiga driftförhållanden.
11. Var på din vakt, se på vad du gör och använd sunt förnuft när du använder utrustningen. Använd inte utrustningen om du är sjuk, trött eller påverkad av alkohol eller läkemedel.
12. Se till att ventilöppningarna hålls fria från skräp.
13. För inte in något föremål i öppningen och använd inte utrustningen med en blockerad öppning. Håll öppningen fri från damm, ludd, hår och allt annat som kan minska luftflödet.
14. Var försiktig när du använder utrustningen för att rengöra trappor.
15. Under skadliga förhållanden kan vätska läcka ut ur batteripaketet. Undvik kontakt. Om du råkar komma i kontakt med vätskan ska du spola med vatten. Om vätskan kommer i kontakt med ögonen ska du söka medicinsk hjälp. Vätska som läcker ur batteripaketet kan orsaka irritationer eller brännskador.
16. **VAR FÖRSIKTIG** – Ett felhanterat batteripaketet kan medföra en brandrisk eller risk för brännskada från kemikalier. Ta inte isär batteripaketet. Värm inte upp batteripaketet över 68 °C eller elda upp det. Ersätt enbart batteripaketet med ett äkta Toro-batteripaket. Om en annan typ av batteripaket används kan det leda till brand eller explosion. Förvara batteripaketet utom räckhåll för barn och i originalförpackningen tills de ska användas.

### III. Användning

1. Undvik farliga miljöer – Använd inte utrustningen i regn eller på fuktiga eller våta platser.
2. Använd rätt utrustning för tillämpningen – användning för andra ändamål än de avsedda kan vara farligt för dig och kringstående.
3. Förhindra oavsiktlig start – se till att brytaren är i läget Av innan du ansluter till batteripaketet och hanterar utrustningen. Bär inte utrustningen med fingret på brytaren och aktivera inte apparaten med brytaren i läget PÅ.
4. Använd endast maskinen i dagsljus eller i bra belysning.
5. Avlägsna batteripaketet från enheten innan du utför justeringar eller byter tillbehör.
6. Håll händer och fötter borta från öppningen och de rörliga delarna.
7. Stäng av utrustningen, avlägsna batteripaketet från utrustningen och vänta tills alla rörelser har stannat innan du justerar, underhåller, rengör eller ställer utrustningen i förvar.
8. Avlägsna batteripaketet från utrustningen om du lämnar den utan uppsikt.
9. Tvinga inte utrustningen att arbeta för hårt – den presterar bättre och fungerar säkrare om den får arbeta på den nivå som den konstruerades för.
10. Sträck dig inte för långt – se till att alltid stå stadigt och upprätthålla balansen, särskilt i backar. Gå med utrustningen, spring aldrig med den.

### IV. Underhåll och förvaring

1. Underhåll utrustningen varsamt – håll den ren och i gott skick för bästa prestanda och för att minska skaderisken. Följ anvisningarna för smörjning och byte av tillbehör. Håll handtagen torra, rena och fria från olja och fett.
2. När batteripaketet inte används ska det förvaras på avstånd från metallföremål som gem, mynt, nycklar, spikar och skruvar som kan leda effekten från en pol till en annan. Kortslutning av batteriet kan orsaka brännskador eller eldsvåda.
3. Håll händer och fötter borta från rörliga delar.
4. Stäng av utrustningen, avlägsna batteripaketet från utrustningen och vänta tills alla rörelser har stannat innan du justerar, underhåller, rengör eller ställer utrustningen i förvar.
5. Kontrollera om utrustningen har skadade delar – om skydd eller andra delar är skadade ska du fastställa om utrustningen kommer att fungera korrekt. Kontrollera om det finns feljusterade eller kärvande rörliga delar, trasiga delar, fästelement eller några andra förhållanden som kan påverka funktionen. Om inte annat anges i anvisningarna ska en auktoriserad återförsäljare reparera eller byta ut skadade skydd och delar.

6. Se till att utrustningens fästelement alltid sitter fast ordentligt.
7. Försök inte att underhålla eller reparera utrustningen, batteripaketet eller batteriladdaren förutom på det sätt som anges i anvisningarna. Be en auktoriserad återförsäljare att utföra underhåll med identiska reservdelar för att säkerställa att produkten underhålls på ett säkert sätt.
8. Förvara inaktiv utrustning inomhus på en plats som är torr, säker och oåtkomlig för barn.
9. Kassera inte batteriet i eld. Det riskerar att explodera. Kontrollera vilka kasseringsregler som gäller där du bor.

## SPARA DESSA

### ANVISNINGAR

## Säkerhets- och instruktionsdekaler



Säkerhetsdekaler och -anvisningarna är fullt synliga för föraren och finns nära alla potentiella farozoner. Ersätt dekaler som har skadats eller saknas.



140-8498

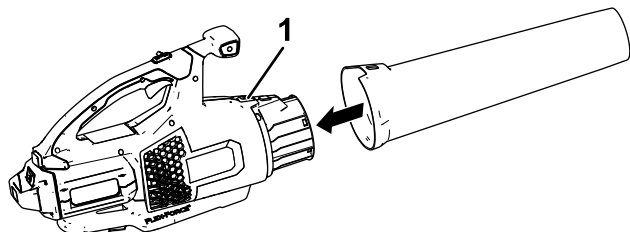
decal140-8498

1. Varning – läs *bruksanvisningen*. Håll avstånd till rörliga delar, se till att alla skydd sitter på plats, använd hörselskydd och se till att maskinen inte utsätts för regn.
2. Varning – håll kringstående på avstånd från maskinen i alla riktningar.
3. Risk för kringflygande föremål – håll kringstående på avstånd.
4. Får inte slängas.

# Montering

## Montera fläkten

Skjut på det nedre röret på blåsarhuset. Du kan behöva trycka ned rörspärren på blåsaröret för att röret ska låsas fast (Figur 1).

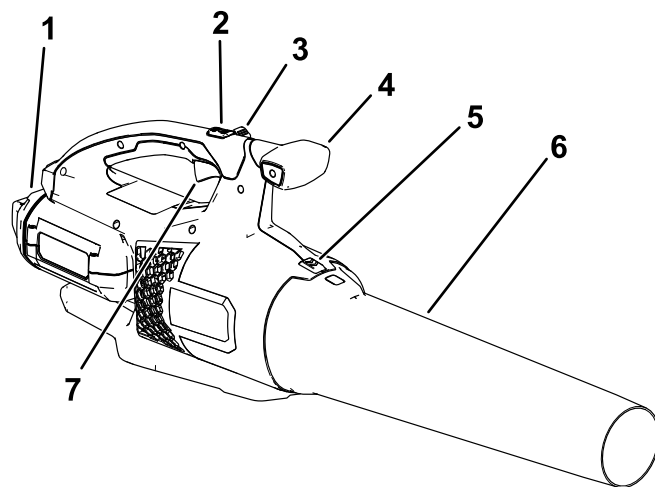


Figur 1

g273147

1. Rörspärr

# Produktöversikt



g335835

Figur 2

- |                                 |                                    |
|---------------------------------|------------------------------------|
| 1. Batteri och batterihållighet | 5. Spärr för blåsar rör            |
| 2. Turboknapp                   | 6. Blåsar rör                      |
| 3. Hastighetslås                | 7. Reglage för reglerbar hastighet |
| 4. Handtagsreglage              |                                    |

## Specifikationer

Modell	51825T
Märkspänning	60V DC max, 54V DC nominellt
Laddartyp	81802 eller 81805
Batterityp	81820, 81825, 81850, 81860 eller 81875

### Lämpliga temperaturintervall

Ladda/förvara batteripaketet vid	5 °C till 40 °C*
Använd batteripaketet vid	-30 °C till 49 °C
Använd blåsaren vid	0 °C till 49 °C

\* Laddningstiden förlängs om du inte laddar batteriet inom detta temperaturintervall.

Förvara verktyget, batteripaketet och batteriladdaren på en ren och torr avsidig plats.

# Körning

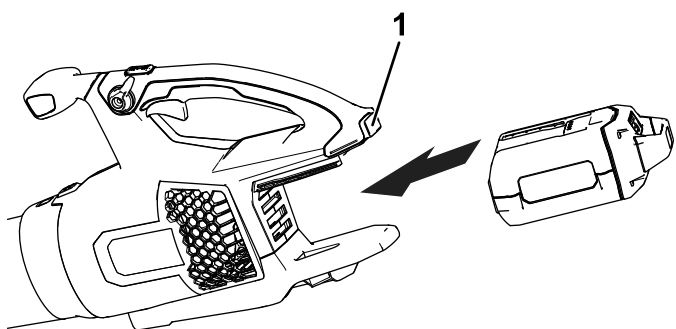
## ⚠ VARNING

Föremål som kastas omkring kan orsaka allvarliga personskador på dig och kringstående.

- Blås inte på hårda föremål som spikar eller skruvar.
- Använd inte blåsaren nära kringstående eller husdjur.
- Var försiktig med att blåsa i rätt riktning (dvs. blåsa bort från kringstående, fönster, bilar osv.). Använd endast den hastighet som krävs.
- Var extra försiktig när du röjer bort skräp från trappor eller andra trånga utrymmen.
- Klä dig lämpligt – använd lämpliga kläder, inklusive ögonskydd, långbyxor, rejäla och halkfria skor samt hörselskydd. Sätt upp långt hår och använd inte lösa smycken som kan fastna i rörliga delar. Använd munskydd vid dammiga driftförhållanden.

## Starta blåsaren

1. Kontrollera att ventilerna på blåsaren är fria från damm och smuts.
2. Rikta in håligheten i batteripaketet på handtagskåpens ände (Figur 3).
3. Ta tag i handtaget och tryck in batteripaketet i handtaget tills spärren låser det på plats (Figur 1).



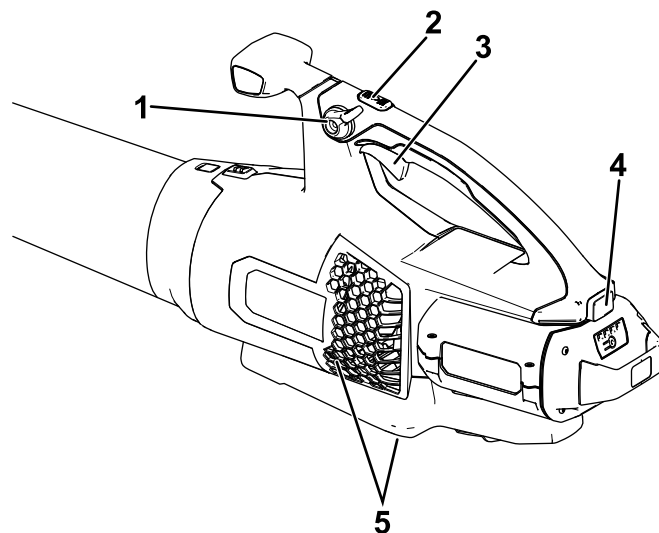
Figur 3

g273146

1. Batterispärr

4. Starta blåsaren genom att trycka på reglaget för reglerbar hastighet (Figur 4).

**Obs:** Lägg i hastighetslåset för att se till att maskinen hålls igång utan att du behöver trycka in reglaget för reglerbar hastighet (Figur 4).



Figur 4

g267241

- |                                    |                   |
|------------------------------------|-------------------|
| 1. Hastighetslås                   | 4. Batterispärr   |
| 2. Turboknapp                      | 5. Blåsarventiler |
| 3. Reglage för reglerbar hastighet |                   |

## Justera blåsarens lufthastighet

För att uppnå maximal prestanda (lufthastighet) trycker du ned reglaget för reglerbar hastighet och håller sedan ned Turbo Boost-knappen för önskad tid (Figur 4).

Använd reglaget för reglerbar hastighet för att justera lufthastigheten medan du använder lövblåsaren (Figur 4).

Koppla in hastighetslåset för att behålla den aktuella lufthastigheten (Figur 4).

## Stänga av blåsaren

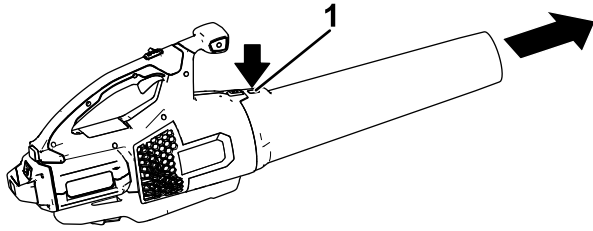
Stäng av blåsaren genom att koppla ur hastighetslåset (om det används) och släppa reglaget för reglerbar hastighet (Figur 4).

**Viktig:** Låt inte hastighetslåset vara aktiverat med batteripaketet på plats i blåsaren när den har stannat.

Avlägsna alltid batteripaketet när du inte använder blåsaren eller du transporterar blåsaren till eller från arbetsområdet.

## Ta bort blåsaröret

Tryck ned spärrhaken för att skilja blåsaröret från blåsaren (Figur 5).



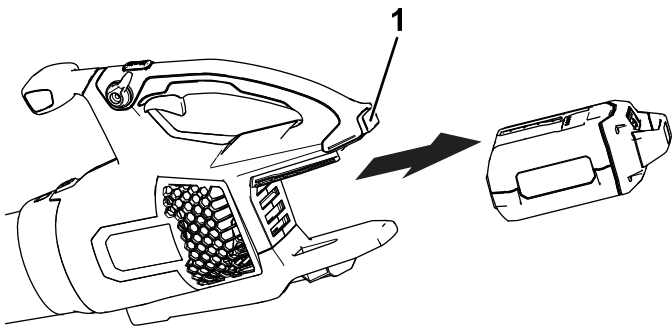
Figur 5

g273159

1. Rörspärr

## Ta bort batteriet från blåsaren

Tryck på batterispärren för att lossa batteripaketet och skjut ut batteripaketet ur blåsaren (Figur 6).



Figur 6

g267488

1. Batterispärr

## Förvaring

**Viktigt:** Förvara verktyget, batteripaketet och laddaren endast i temperaturer som ligger inom rätt intervall. Se [Specifikationer \(sida 5\)](#).

**Viktigt:** Om du har batteripaketet i förvaring under lågsäsongen ska du ta ut batteripaketet ur verktyget och ladda det tills två eller tre lysdioder lyser grönt på batteriet. Förvara inte ett fulladdat eller helt urladdat batteri. När du är redo att ta verktyget i bruk igen ska batteripaketet laddas tills vänster indikatorlampa på laddaren lyser grönt eller alla fyra lysdioder på batteriet blir gröna.

- Koppla bort produkten från strömkällan (dvs. dra ur kontakten från strömkällan eller avlägsna batteripaketet) och kontrollera att den inte skadats efter användning.
- Förvara inte verktyget med batteripaketet installerat.
- Ta bort allt främmande material från produkten.
- När de inte används ska verktyg, batteripaket och laddare förvaras utom räckhåll för barn.
- Håll redskapet, batteripaketet och batteriladdaren på avstånd från frätande medel, som trädgårdskemikalier och vägsalt.
- Minska risken för allvariga personskador genom att inte förvara batteripaketet utomhus eller i fordon.
- Förvara verktyget, batteripaketet och batteriladdaren på en ren och torr avsides plats.

# Felsökning

Utför endast stegen som beskrivs i de här instruktionerna. Alla övriga inspektioner, underhåll och reparationer får endast utföras av en auktoriserad verkstad eller en liknande behörig specialist, om du inte kan lösa problemet själv.

Problem	Möjliga orsaker	Åtgärd
Verktyget startar inte.	<ol style="list-style-type: none"><li>1. Batteriet sitter inte helt på plats i verktyget.</li><li>2. Batteripaketet är inte laddat.</li><li>3. Batteripaketet är skadat.</li><li>4. Det är något annat elektriskt fel på verktyget.</li></ol>	<ol style="list-style-type: none"><li>1. Ta bort och sätt tillbaka batteriet i verktyget, se till att det är korrekt monterat och spärrat.</li><li>2. Ta ut batteripaketet ur verktyget och ladda det.</li><li>3. Byt ut batteripaketet.</li><li>4. Kontakta en auktoriserad återförsäljare.</li></ol>
Verktyget når inte full kraftförsörjning.	<ol style="list-style-type: none"><li>1. Batteripaketets laddningskapacitet är för låg.</li><li>2. Luftventilerna är blockerade.</li></ol>	<ol style="list-style-type: none"><li>1. Ta ut batteripaketet ur verktyget och ladda batteripaketet helt.</li><li>2. Rengör luftventilerna.</li></ol>
Verktyget fungerar inte eller fungerar inte utan avbrott.	<ol style="list-style-type: none"><li>1. Det finns fukt på batteripaketets kablar.</li><li>2. Batteriet sitter inte helt på plats i verktyget.</li><li>3. Batteripaketets laddning är låg.</li></ol>	<ol style="list-style-type: none"><li>1. Låt batteripaketet torka eller torka det på egen hand.</li><li>2. Ta bort och sätt tillbaka batteriet i verktyget, se till att det är korrekt monterat och spärrat.</li><li>3. Ladda batteripaketet.</li></ol>
Hastighetslåset avaktiveras efter inkoppling.	<ol style="list-style-type: none"><li>1. Hastighetslåsskruven är lös.</li></ol>	<ol style="list-style-type: none"><li>1. Dra åt hastighetslåsskruven genom att vrida den <math>\frac{1}{4}</math> varv. Om hastighetslåset fortfarande avaktiveras efter inkoppling vrids du hastighetslåsskruven ytterligare <math>\frac{1}{4}</math> varv.</li></ol>

## Integritetsmeddelande för EES/STORBRITANNIEN

### Toros bruk av dina personuppgifter

The Toro Company ("Toro") respekterar din integritet. I samband med dina köp av våra produkter kan vi samla in vissa personuppgifter om dig, antingen direkt från dig eller via din lokala Toro-återförsäljare. Toro använder dessa uppgifter till att utföra sina avtalsenliga skyldigheter (t.ex. registrera din garanti, behandla dina garantianspråk eller kontakta dig i händelse av att en produkt måste återkallas) och för att tillfredsställa legitima affärsändamål (t.ex. mäta kundnöjdhet, förbättra våra produkter eller tillhandahålla produktinformation som kan vara av intresse för dig). Toro kan vidarebefordra uppgifterna till sina dotterbolag, återförsäljare eller andra affärspartner i samband med någon av dessa aktiviteter. Vi kan även vidarebefordra personuppgifter i de fall som lagen kräver det eller i samband med försäljning, köp eller fusion av ett företag. Vi säljer inte dina personuppgifter i marknadsföringssyfte till något annat företag.

### Kvarhållande av personuppgifter

Toro kvarhåller dina personuppgifter så länge de är relevanta för ovan nämnda syften och i enlighet med gällande lagstiftning. Kontakta [legal@toro.com](mailto:legal@toro.com) för ytterligare information om tillämpliga perioder för kvarhållande.

### Toros säkerhetsengagemang

Dina personuppgifter kan komma att behandlas i USA eller i något annat land som kan ha mindre strikta dataskyddslagar än landet där du är bofast. I de fall som vi överför uppgifter utanför landet där du är bosatt vidtar vi lagstadgade åtgärder för att tillförsäkra att uppgifterna skyddas och behandlas konfidentiellt.

### Åtkomst och korrigering

Du kan äga rätt att korrigera eller granska dina personuppgifter samt neka eller begränsa behandlingen av dina data. Om du önskar göra det ska du kontakta oss via e-post på [legal@toro.com](mailto:legal@toro.com). Om du har frågor rörande det sätt på vilket Toro har hanterat dina uppgifter, uppmanar vi dig att diskutera det direkt med oss. Observera att europeiska medborgare äger rätt att lämna in klagomål till avsedd myndighet för dataskydd.



**Count on it.**