



Count on it.

Parts Catalog

Workman® GTX

Utility Vehicle with Bucket Seat

Model No. 07042—Serial No. 403446001 and Up



Ordering Replacement Parts

To order replacement parts, please supply the part number, the quantity, and the description of each part desired.

Understanding Reference Numbers

Each identified part in an illustration has a reference number. The reference number for a part also appears in the parts list, along with other information about the part.

This catalog uses two special reference number formats, one to indicate parts in a service assembly and another to indicate the quantity of a given part in an illustration.

Service Assembly Reference Numbers

Parts in service assemblies have reference numbers in the form a:b. The a represents the reference number of the entire service assembly and the b represents a sequential number unique to each part within the service assembly.

For example, a wheel assembly might be identified by reference number 6, the tire by 6:1, the valve by 6:2, and the wheel by 6:3. When you order the assembly identified by reference number 6, you receive all parts identified by reference numbers 6:1, 6:2, and 6:3. However, you may also order any part individually. Reference numbers of this type appear in illustration and in parts lists.

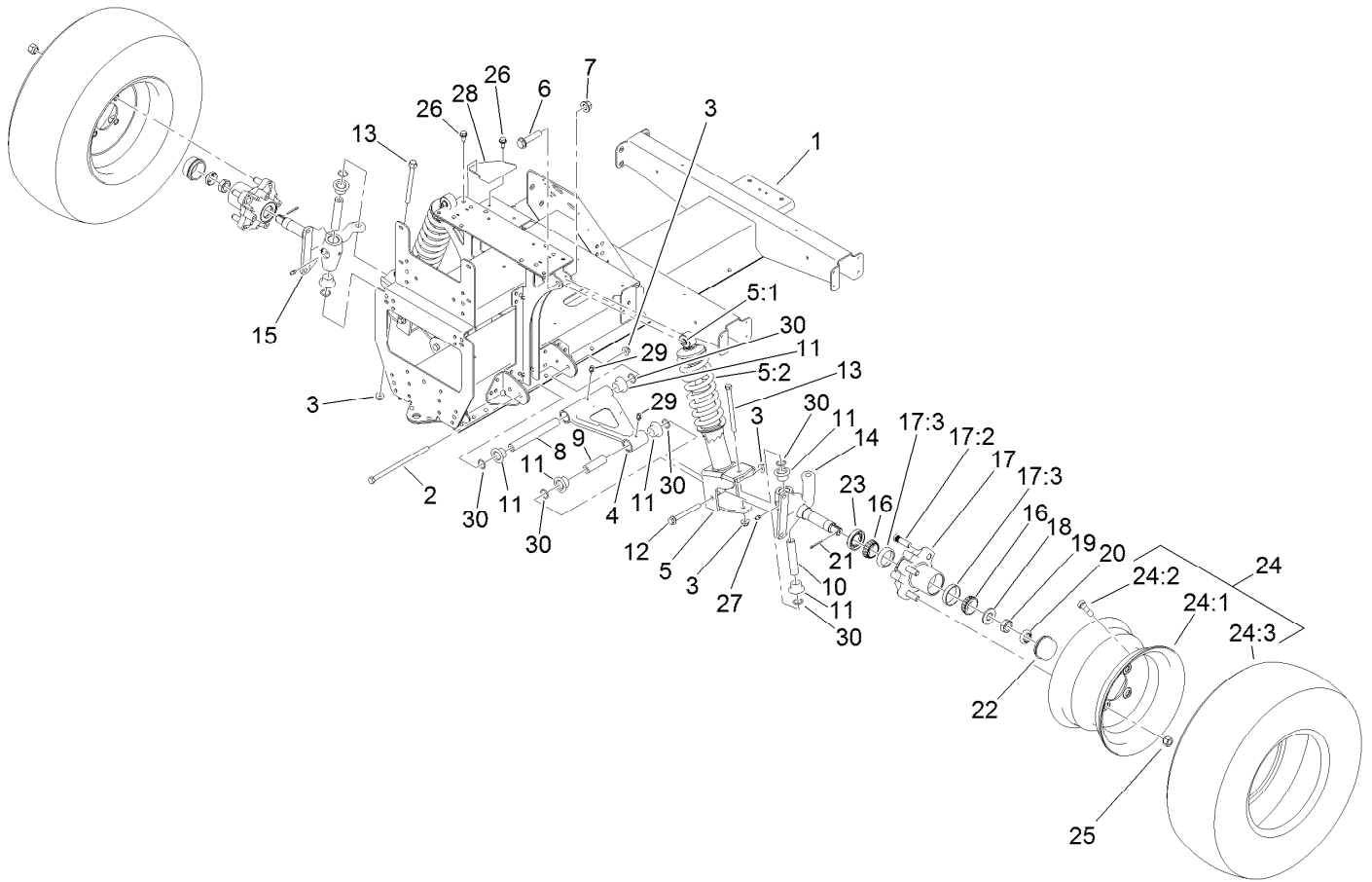
Reference Numbers Indicating Quantity

In an illustration, if a reference number indicates more than one part, the reference number has the form nX y. The n represents the quantity of the part, the X is the multiplication symbol, and the y represents the reference number.

For example, in an illustration, the reference number 2X 37 means that two of the parts identified by reference number 37 are indicated.

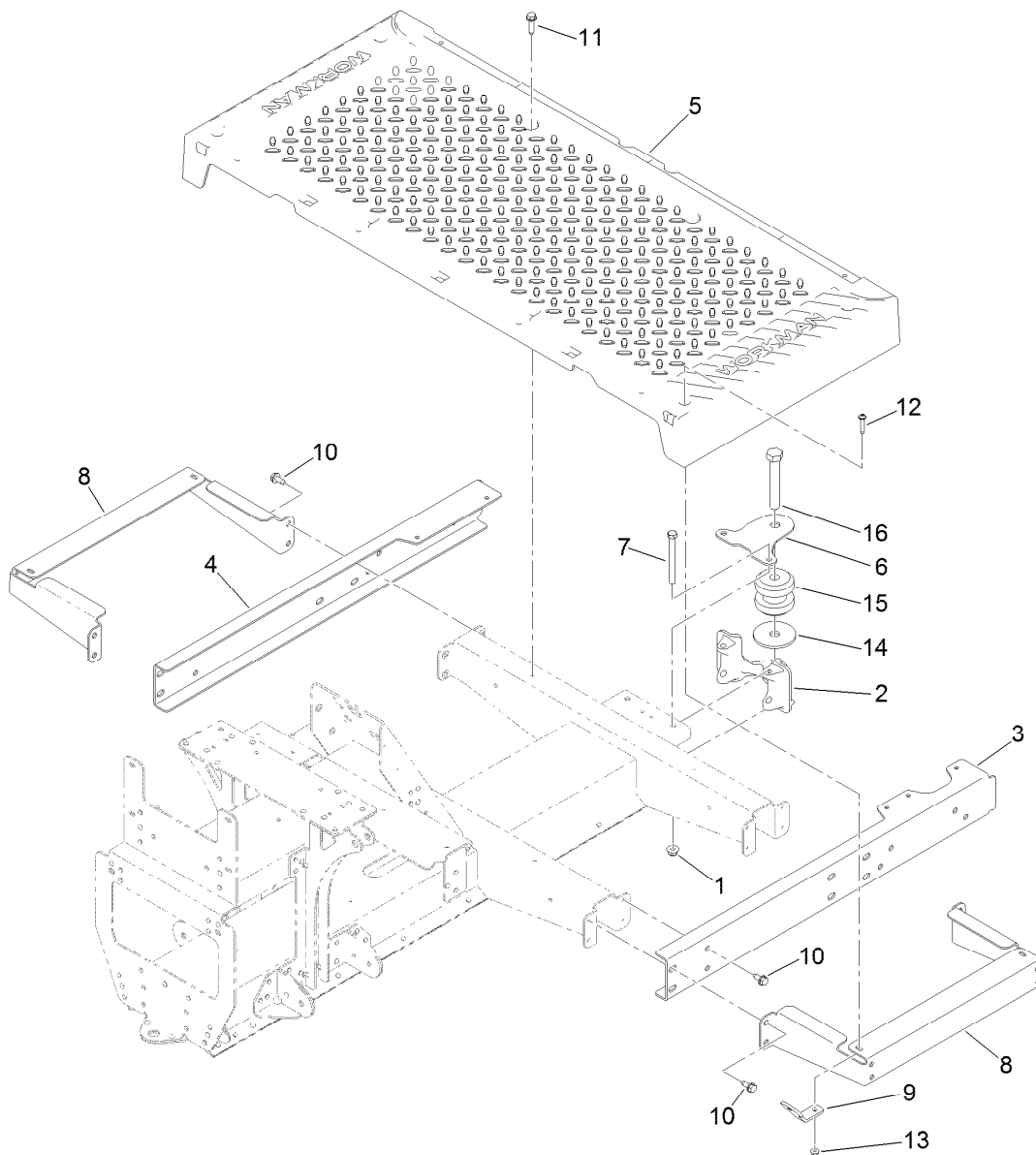
Contents

Front Frame and Suspension Assembly	4
Floor Plate and Rear Suspension Mount Assembly	5
Rear Frame and Suspension Assembly	6
Frame Mount and Rear Shock/Spring Assembly	7
Brake Assembly	8
Master Cylinder Assembly No. 104-6782	9
Brake Caliper Assembly No. 127-7424	10
Steering Assembly	11
Pedal and Control Assembly	12
Hood and Fender Assembly	13
Dash Assembly	14
Seatbase Assembly	15
Cargo Bed Assembly	16
Cargo Bed and Tailgate Assembly No. 131-8592	17
Engine Assembly	18
Starter Generator Assembly No. 131-8444	20
Secondary Clutch Assembly No. 119-6011	21
Engine Assembly No. 131-8502	22
Air Cleaner Assembly No. 99-7120	26
Primary Clutch Assembly No. 138-0095	27
Rear Wheel and Transaxle Assembly	28
Transaxle Assembly No. 131-3486	30
Battery and Cable Assembly	32
Electrical Assembly	33
Fuel System Assembly	34
Fuel Tank Assembly No. 127-7849	35
Attachments and Accessories	36



Front Frame and Suspension Assembly

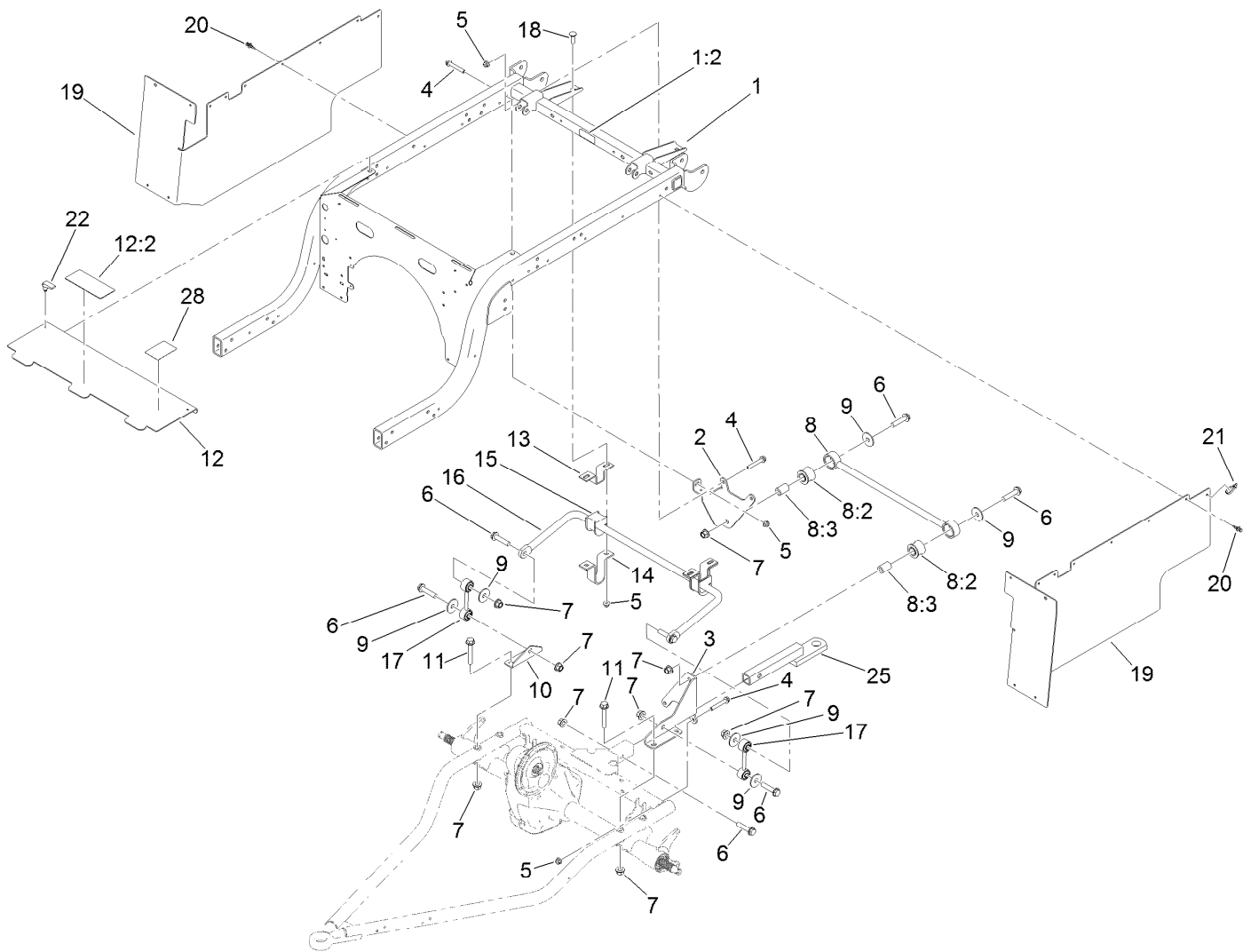
Ref.	Part Number	Qty.	Description	Ref.	Part Number	Qty.	Description
1	127-7718-03	1	Frame-Front	17:2	10-6830	4	Stud-Type, Drive
2	131-8572	2	Screw-HF	17:3	254-72	2	Bearing-Cup, Tapered
3	104-8301	6	Nut-HF, NI	18	93-0309	2	Washer-Tab
4	131-8345	2	*obs* A-Arm	19	3220-7	2	Nut-Jam
5	137-6716	2	Strut ASM (250 Lb)	20	93-0307	2	Nut-Lock, Retainer
5:1	131-8574	1	Isolator-Shock	21	3272-12	2	Pin-Cotter
5:2	137-6719	1	Spring-Compression, 250Lb	22	241-119	2	Cap-Dust
6	3234-46	2	Screw-HHF	23	112-1690	2	Seal-Oil
7	99-5107	2	Nut-Lock	24	131-8319	2	Tire/Wheel ASM
8	131-8581	2	Sleeve-Control Arm, Inner	24:1	131-8317	1	Wheel
9	131-8583	2	Sleeve-Control Arm, Outer	24:2	232-27	1	Stem-Valve
10	131-8582	2	Sleeve-Kingpin	24:3	131-8318	1	Tire
11	133-0643	12	Bushing-Flange, O-Ring	25	242-50	8	Nut-Lug
12	116-4701	2	Screw-HHF	26	32144-70	2	Screw-HWHTF
13	131-8571	2	Screw-HF	27	302-5	2	Fitting-Grease
14	127-8825-03	1	Spindle-LH	28	131-8339-03	1	Reinforcement-Tower
15	127-8826-03	1	Spindle-RH	29	302-40	4	Fitting-Grease, 90 DEG
16	254-94	4	Bearing-Cone, Tapered	30	237-54	12	O-Ring
17	127-8851	2	Front Hub ASM				



Floor Plate and Rear Suspension Mount Assembly

Ref.	Part Number	Qty.	Description
1	104-8301	2	Nut-HF, NI
2	131-8466	1	Mount-Suspension, Rear
3	127-7820-03	1	Channel-Frame, Front (LH)
4	127-7821-03	1	Channel-Frame, Front (RH)
5	127-7829	1	Plate-Floor
6	131-8597	1	Plate-Gimbal, Upper
7	323-42	2	Screw-HH
8	127-7837-03	2	Bracket-Support, Floor Plate

Ref.	Part Number	Qty.	Description
9	127-7832	2	Bracket-Angle
10	32144-70	16	Screw-HWHTF
11	32144-49	4	Screw-HWHTF
12	132-6777	4	Screw-TTH
13	104-7201	4	Nut-HF
14	110-4549	1	Washer-Snubbing
15	131-8480	1	Isolator
16	104-5877	1	Screw-HH



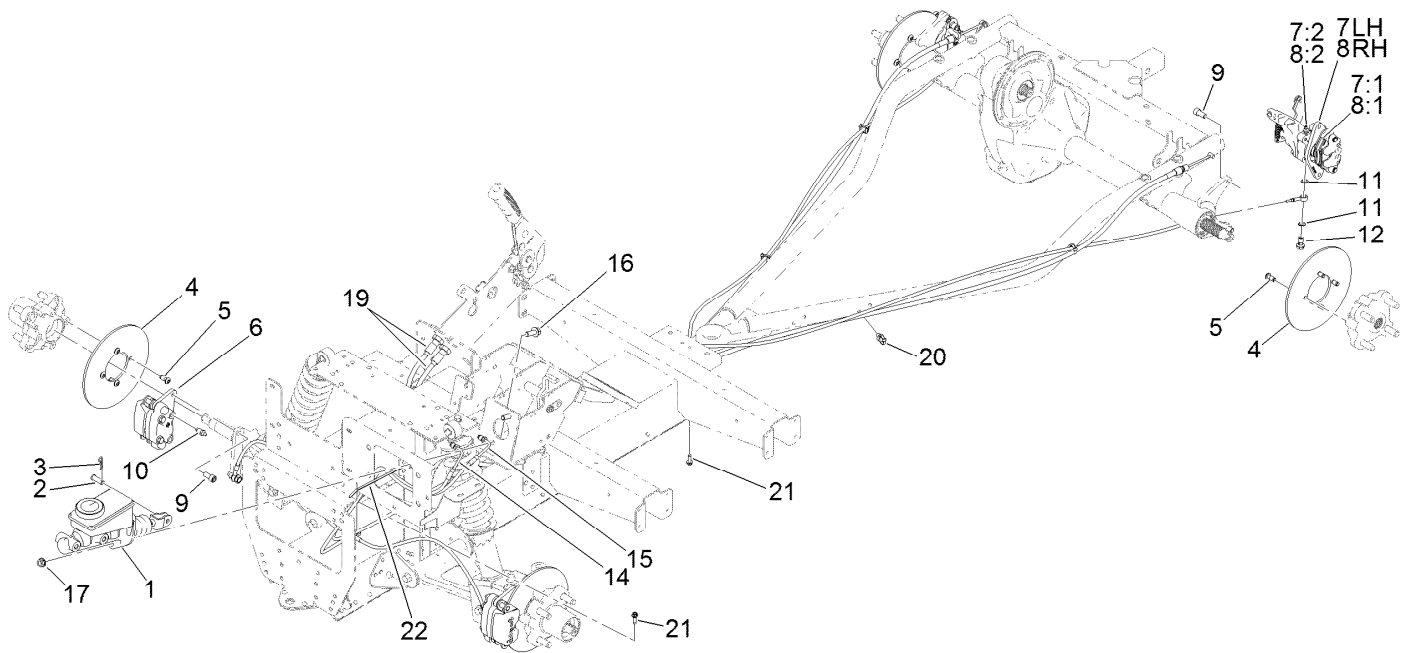
Rear Frame and Suspension Assembly

Ref.	Part Number	Qty.	Description	Ref.	Part Number	Qty.	Description
1	131-8594	1	*obs* Rear Frame ASM	12	131-8595	1	Panel-Cover
1:2	115-2047	1	Decal-Surface, Hot	12:2	99-7345	1	Decal-Warning
2	127-7412-03	1	Bracket-Bar, Stabilizer	13	87-3890-03	2	Bracket-Bar, Sway
3	127-7411-03	1	Bracket-Bar, Stabilizer	14	87-4010-03	2	Clamp-Bar, Sway
4	3234-39	5	Screw-HHF	15	87-3910	2	Bushing-Rubber
5	104-8301	9	Nut-HF, NI	16	131-8310-03	1	Bar-Sway, Anti
6	3234-46	7	Screw-HHF	17	131-8394	2	Link-Bar, Sway
7	99-5107	11	Nut-Lock	18	3231-25	4	Bolt-CARR
8	109-5013	1	Panhard Rod ASM	19	131-8346	2	Panel-Side
8:2	109-5009	2	Bushing-Suspension, Rubber	20	125-9622	20	Rivet-Blind
8:3	109-5010	2	Spacer	21	3290-378	2	Tie-Cable
9	86-1990	6	Washer-Thrust	22	74-5950	2	Latch-Swell
10	131-8315	1	Bracket-Link, Sway Bar	25	137-6741	1	Ball Mount ASM
11	3234-40	4	Screw-HF	28	138-3518	1	Decal-Reference, Quick



Frame Mount and Rear Shock/Spring Assembly

<i>Ref.</i>	<i>Part Number</i>	<i>Qty.</i>	<i>Description</i>
1	3234-39	8	Screw-HHF
2	104-8301	8	Nut-HF, NI
3	3234-46	4	Screw-HHF
4	99-5107	4	Nut-Lock
5	131-3455	2	Shock/Spring ASM
5:1	131-8574	2	Isolator-Shock



Brake Assembly

Ref.	Part Number	Qty.	Description	Ref.	Part Number	Qty.	Description
1	104-6782	1	Master Cylinder ASM	8:3	136-6328	2	Spring-Rattle, Anti ●
2	283-2	1	Pin-Clevis	9	131-8573	8	Screw-HSH
3	1-806003	1	Pin-Cotter	10	119-9509	2	Screw-Bleed
4	136-6295	4	Rotor-Brake	11	115-2341	8	Washer-Banjo
5	121-9671	16	Screw-HSBH	12	120-4875	4	Bolt-Flange, Banjo
6	127-7424	2	Brake Caliper ASM	14	127-7781	1	Brake Line-Front
7	131-8313	1	Caliper-Rear, LH	15	127-7782	1	Brake Line-Rear
7:1	131-8518	1	Pad Kit (Set Of 4)	16	3234-11	2	Screw-HHF
7:2	119-9509	1	Screw-Bleed	17	3290-357	2	Nut-HHF, Whiz
7:3	136-6328	2	Spring-Rattle, Anti ●	19	131-8406	2	Cable-Park Brake
8	131-8314	1	Caliper-Rear, RH	20	32180-030	4	Clip-Tie
8:1	131-8518	1	Pad Kit (Set Of 4)	21	49-2040	2	Screw-HWHTF
8:2	119-9509	1	Screw-Bleed	22	3290-378	1	Tie-Cable

● Not illustrated



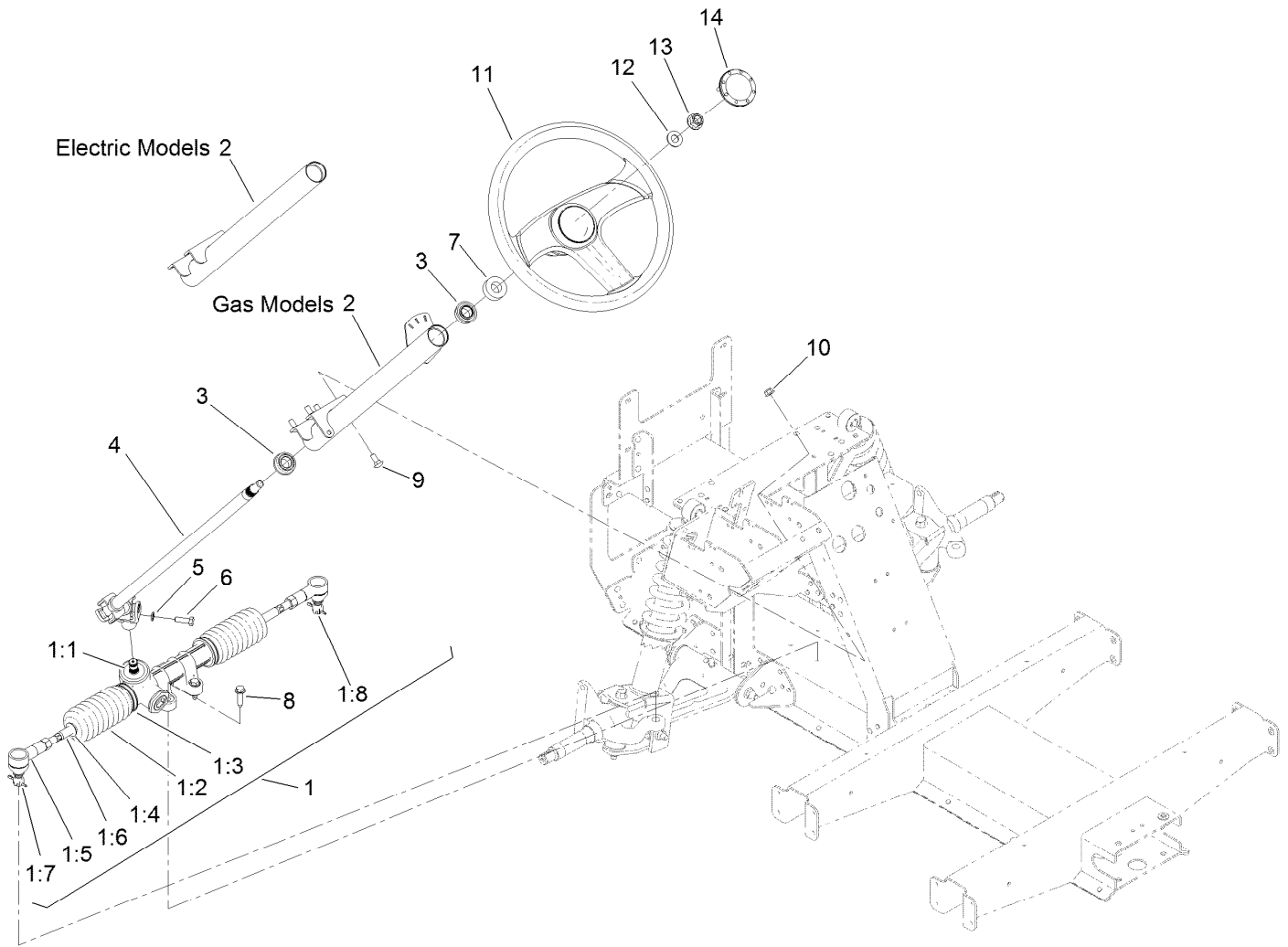
Master Cylinder Assembly No. 104-6782

Ref.	Part Number	Qty.	Description
1	104-6845	1	Reservoir ASM
1:1	92-4112	1	Cap ASM
2	93-8971	2	Seal-Port, Flange
3	92-4103	1	Pin-Stop
4	92-4102	1	Secondary Piston ASM
5	92-4110	1	Clevis
6	21-0360	1	Nut-Hex
7	94-5209	1	Cover-Dust
8	94-5210	1	Rod-Push
9	92-4109	1	Ring-Snap
10	92-4108	1	Retainer-Washer
11	92-4101	1	Primary Piston ASM



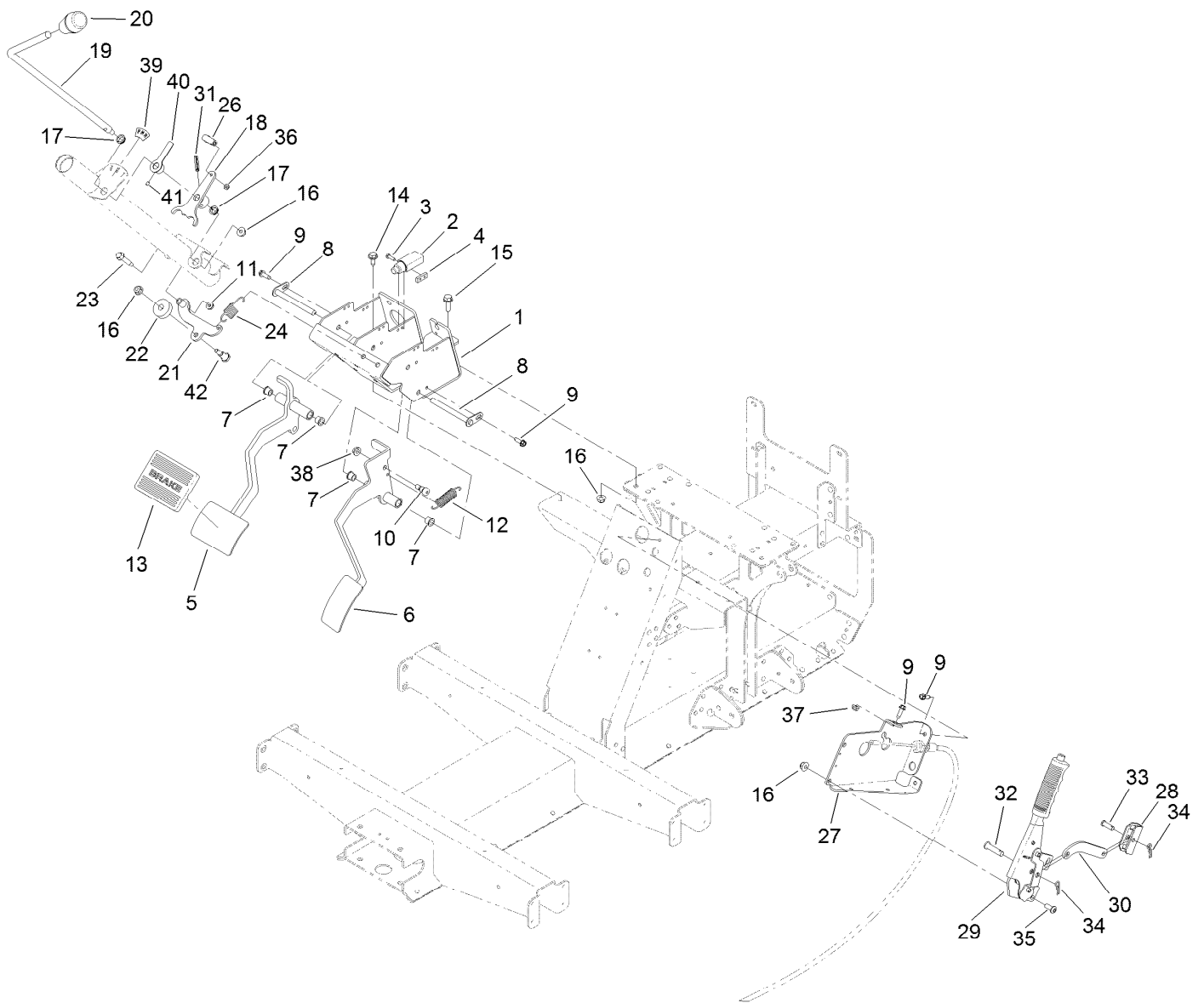
Brake Caliper Assembly No. 127-7424

<i>Ref.</i>	<i>Part Number</i>	<i>Qty.</i>	<i>Description</i>
1	119-9510	1	*obs* Pads-Brake
2	119-9511	1	Bracket Kit
3	133-0614	1	Piston Kit



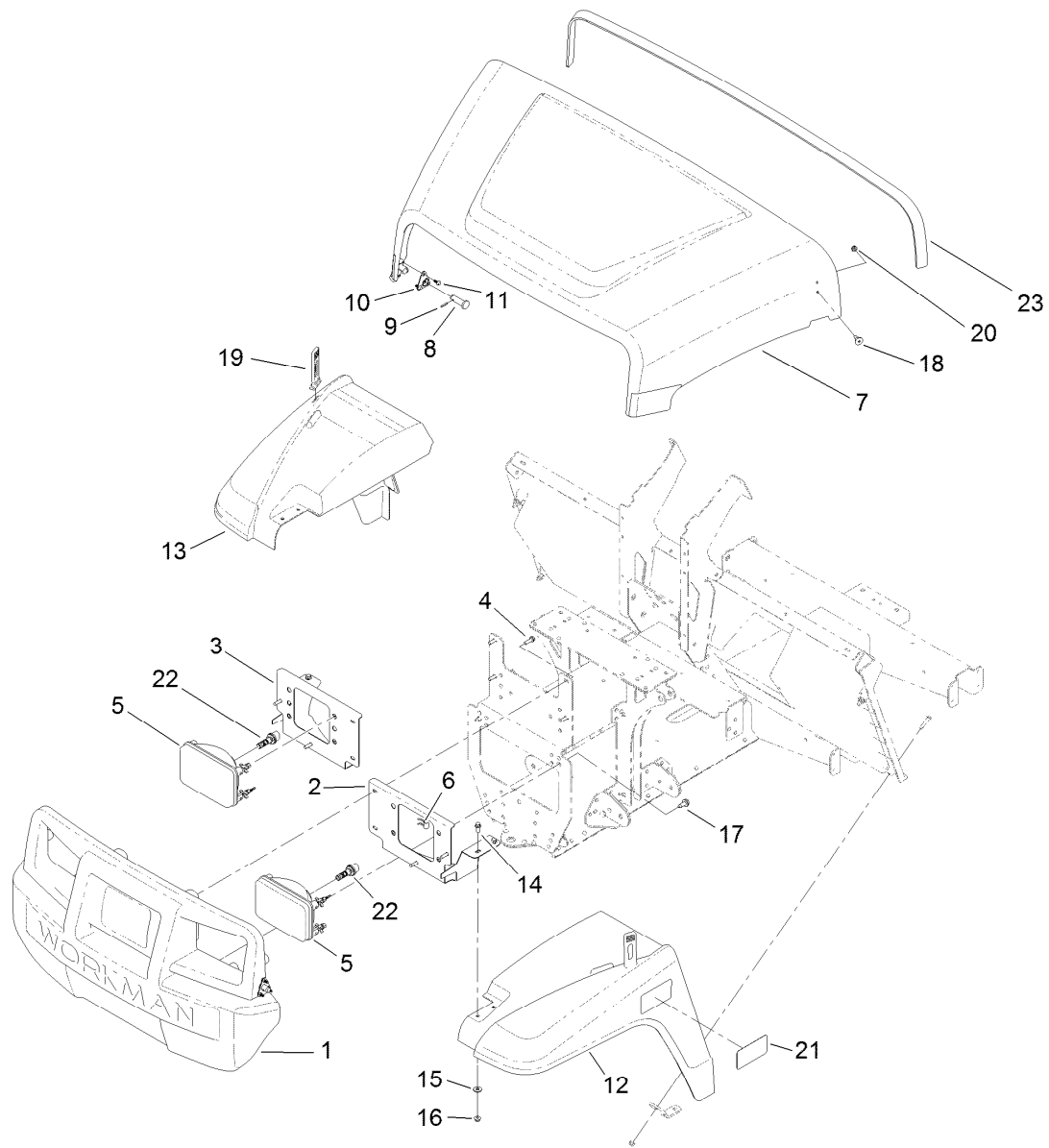
Steering Assembly

Ref.	Part Number	Qty.	Description	Ref.	Part Number	Qty.	Description
1	127-8797	1	Steering Rack ASM	4	127-8804	1	Shaft-Steering
1:1	133-0607	1	*obs* Seal-Shaft	5	3253-4	1	Washer-Lock
1:2	133-0606	2	Bellows	6	116-3515	1	Screw-HH, Special
1:3	133-0605	2	*obs* Clamp-Bellows, Inner	7	21-9260	1	Cover-Dust
1:4	133-0604	2	*obs* Clamp-Bellows, Outer	8	32144-49	4	Screw-HWHTF
1:5	133-0602	2	End-Rod, Track	9	3230-1	4	Bolt-CARR
1:6	133-0601	2	Rod-Tie, Track	10	104-8300	4	Nut-HF, NI
1:7	3272-42	2	Pin-Cotter	11	131-0957	1	Wheel-Steering
1:8	137-9891	2	*obs* Nut-Slotted, Ball Joint	12	3256-26	1	Washer-Flat
2	127-8799-03	1	Steering Column ASM	13	99-5107	1	Nut-Lock
3	112-3262	2	Bearing	14	131-3630	1	Cap-Wheel, Steering



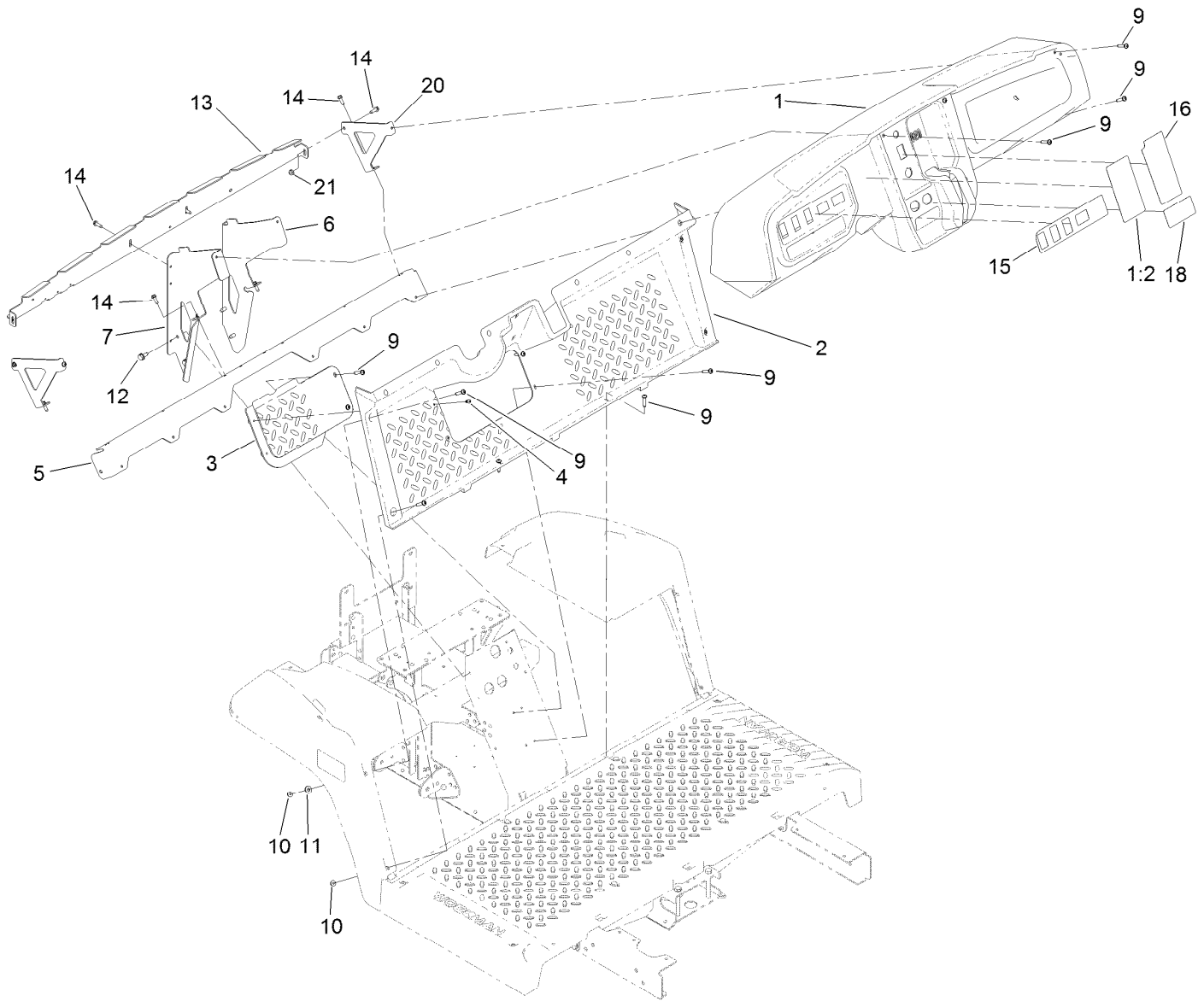
Pedal and Control Assembly

Ref.	Part Number	Qty.	Description	Ref.	Part Number	Qty.	Description
1	127-8817-03	1	Mount-Pedal	22	133-7212	1	Bushing-Detent, Shift
2	99-7407	1	Switch	23	116-6876	1	Screw-Shoulder
3	3290-134	2	Screw	24	131-8419	1	Spring-Extension
4	1-633181	1	Plate-Tapped	26	2411-38	1	Joint-Ball
5	127-8818-03	1	Pedal-Brake	27	127-8834-03	1	Mount-Brake, Park
6	127-8819-03	1	Pedal-Accelerator	28	87-3480	1	Bracket-Equalizer, Cable
7	256-116	4	Bushing-Flange	29	131-8320	1	Lever-Brake, Park
8	131-8459	2	Shaft-Pivot	30	127-8836-03	1	Link-Brake, Park
9	49-2040	5	Screw-HWHTF	31	32121-9	1	Pin-Roll, Slotted
10	1-809056	1	Screw-HSH	32	283-10	1	Pin-Clevis
11	32128-33	1	Nut-HF	33	1-808280	1	Pin-Clevis
12	67-1450	1	Spring-Idler	34	1-806003	2	Pin-Cotter
13	7-3900	1	Pad-Brake	35	3274-55	2	Screw-HSBH
14	32144-70	2	Screw-HWHTF	36	3296-27	1	Nut-Lock, NI
15	3234-29	1	Screw-HHF	37	104-7201	1	Nut-HF
16	104-8300	5	Nut-HF, NI	38	32128-20	1	Nut-HF
17	110-3318	2	Bushing-Snap	39	131-8463	1	Decal-Shift
18	127-8833	1	Arm-Shift	40	131-8462-01	1	Indicator-Shift
19	127-8830	1	Shaft-Shifter	41	3245-20	1	Screw-HSH
20	131-8473	1	Knob-Tapered	42	613529	1	Screw-Shoulder
21	133-7214	1	Arm-Detent				



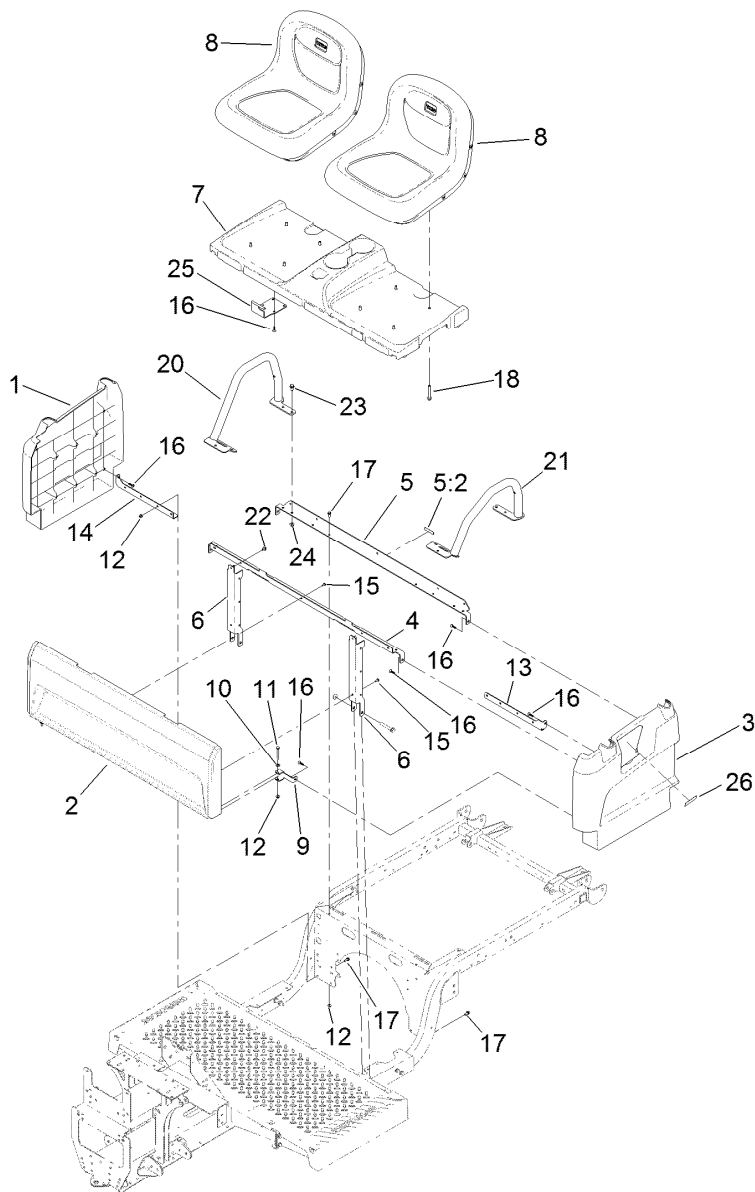
Hood and Fender Assembly

<i>Ref.</i>	<i>Part Number</i>	<i>Qty.</i>	<i>Description</i>	<i>Ref.</i>	<i>Part Number</i>	<i>Qty.</i>	<i>Description</i>
1	132-8530	1	Bumper	13	127-7772	1	Fender-Front, RH
2	131-8455-03	1	Bracket-Headlight, LH	14	3234-33	4	Screw-HHF
3	131-8456-03	1	Bracket-Headlight, RH	15	3256-2	4	Washer-Flat
4	46-8091	8	Screw-HWH	16	104-7201	4	Nut-HF
5	138-9260	2	Headlight ASM	17	32144-70	2	Screw-HWHTF
6	115-2408	6	Clip-Speed	18	125-1122	2	Screw
7	136-6281	1	Hood	19	131-8402	2	Strap-Down, Hold
8	117-5094	2	Pin-Clevis	20	3296-56	2	Nut-Lock, NI
9	32121-50	2	Pin-Spring	21	131-8515	2	Decal-Fender
10	112-3308	2	Retainer-Pin	22	133-0574	2	Bulb-LED
11	121-9605	6	Screw-HWH	23	133-7210	1	Seal-Trim, Hood
12	127-7771	1	Fender-Front, LH				



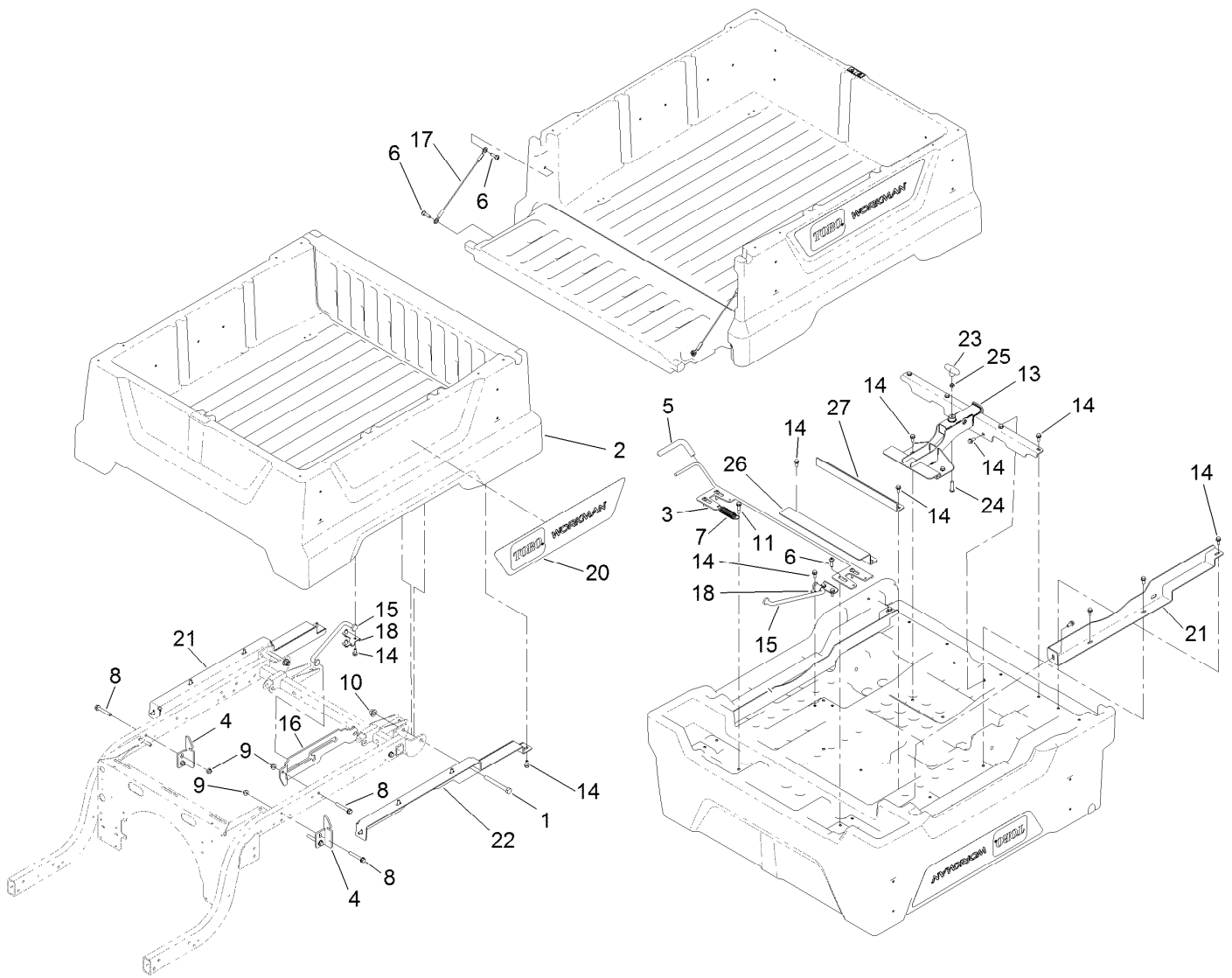
Dash Assembly

<i>Ref.</i>	<i>Part Number</i>	<i>Qty.</i>	<i>Description</i>	<i>Ref.</i>	<i>Part Number</i>	<i>Qty.</i>	<i>Description</i>
1	131-8593	1	Dash	11	3256-2	2	Washer-Flat
1:2	131-8414	1	Decal-Danger	12	32144-70	4	Screw-HWHTF
2	127-7846	1	Footboard	13	131-8568-03	1	Reinforcement-Dash
3	127-7847	1	Cover-Footboard	14	49-2040	8	Screw-HWHTF
4	107-7461	2	Screw-Plastite	15	138-3524	1	Decal-Dashboard
5	127-7831-03	1	Angle	16	131-8413	1	Decal-Panel, Control
6	131-8336-03	1	Bracket-Dash, RH	18	131-8493	1	Decal-USB
7	131-8335-03	1	Bracket-Dash, LH	20	131-8569-03	2	Bracket-Dash, Side
9	132-6777	20	Screw-TTH	21	104-7201	2	Nut-HF
10	104-7201	4	Nut-HF				



Seatbase Assembly

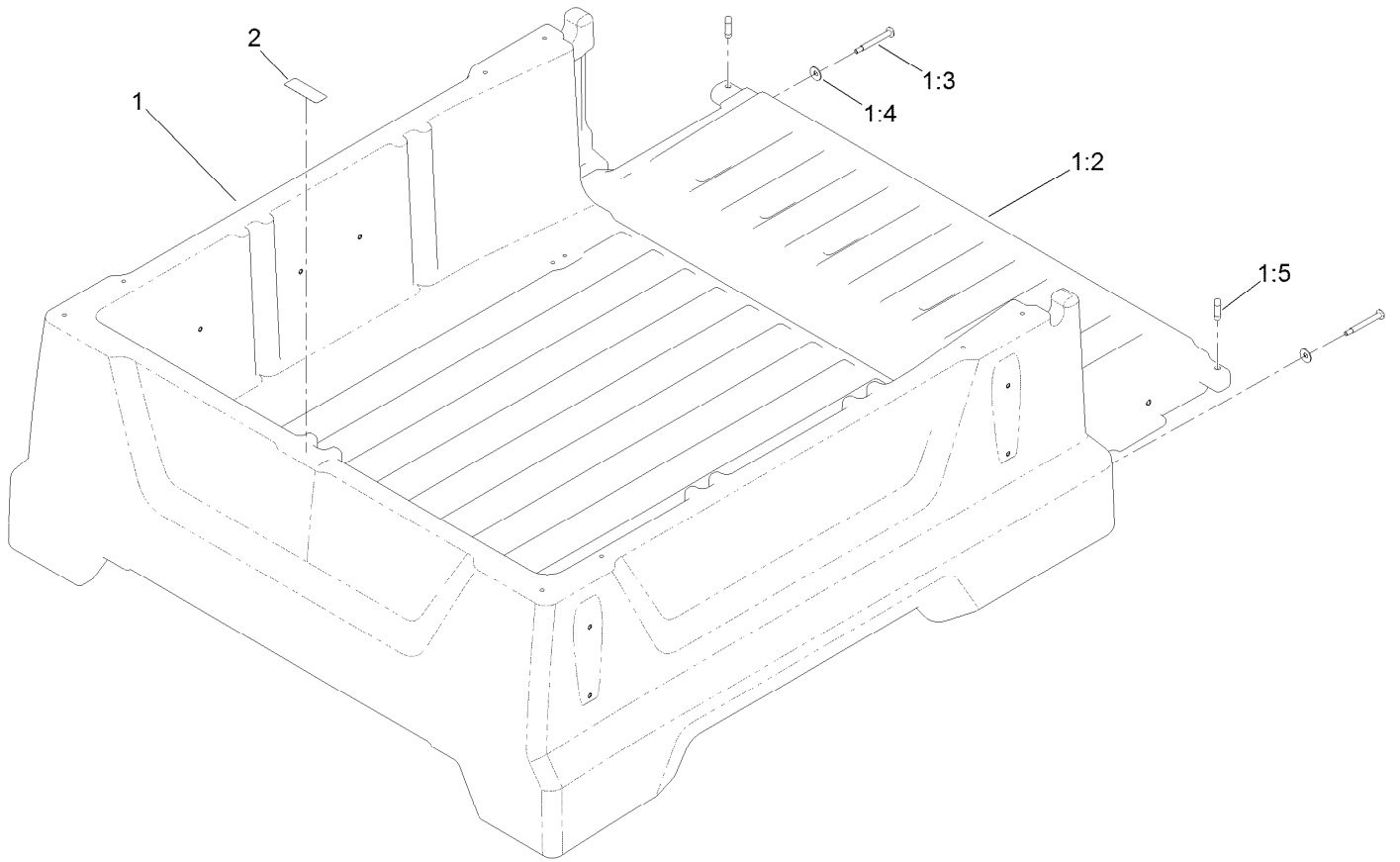
<i>Ref.</i>	<i>Part Number</i>	<i>Qty.</i>	<i>Description</i>	<i>Ref.</i>	<i>Part Number</i>	<i>Qty.</i>	<i>Description</i>
1	127-7805	1	Side-Base, Seat (RH)	13	127-7842-03	1	Bracket-Support, Side (LH)
2	133-7188	1	Panel-Base, Seat	14	127-7843-03	1	Bracket-Support, Side (RH)
3	127-7807	1	Side-Base, Seat (LH)	15	112-6349	5	Screw-HWH
4	133-7345-03	1	Support-Seat	16	120-2349	12	Screw
5	137-6991	1	Seat Support ASM	17	3234-33	6	Screw-HHF
5:2	120-9570	1	Decal-Warning	18	33104-060	8	Screw-HHF
6	127-7841-03	2	Channel-Support, Seat	20	131-8352-05	1	Restraint-Hip, RH
7	127-7839	1	Base-Mount, Seat	21	131-8353-05	1	Restraint-Hip, LH
8	133-0577	2	Seat ASM	22	46-6810	2	Screw And Washer ASM
9	127-7844-03	2	Clamp-Plate, Floor	23	32144-70	6	Screw-HWHTF
10	3256-22	2	Washer-Flat	24	104-8300	6	Nut-HF, NI
11	321-18	2	Screw-HH	25	133-7167-03	2	Bracket-Hinge, Seat
12	104-7201	8	Nut-HF	26	131-8410	1	Decal-Danger, Fuel



Cargo Bed Assembly

Ref.	Part Number	Qty.	Description
1	325-18	2	Screw-HH
2	131-8592	1	Cargo Bed And Tailgate ASM
3	132-8524	1	Latch
4	127-7428-03	2	Striker-Latch, Bed
5	132-8515	1	Grip-Handle
6	119-2267	8	Screw-Shoulder, BHTF
7	106-5598	1	Spring-Extension
8	3234-39	6	Screw-HHF
9	104-8301	6	Nut-HF, NI
10	99-5107	2	Nut-Lock
11	116-8607	1	Screw-Shoulder
13	132-8523-03	1	Attachment-Quick, Class 1

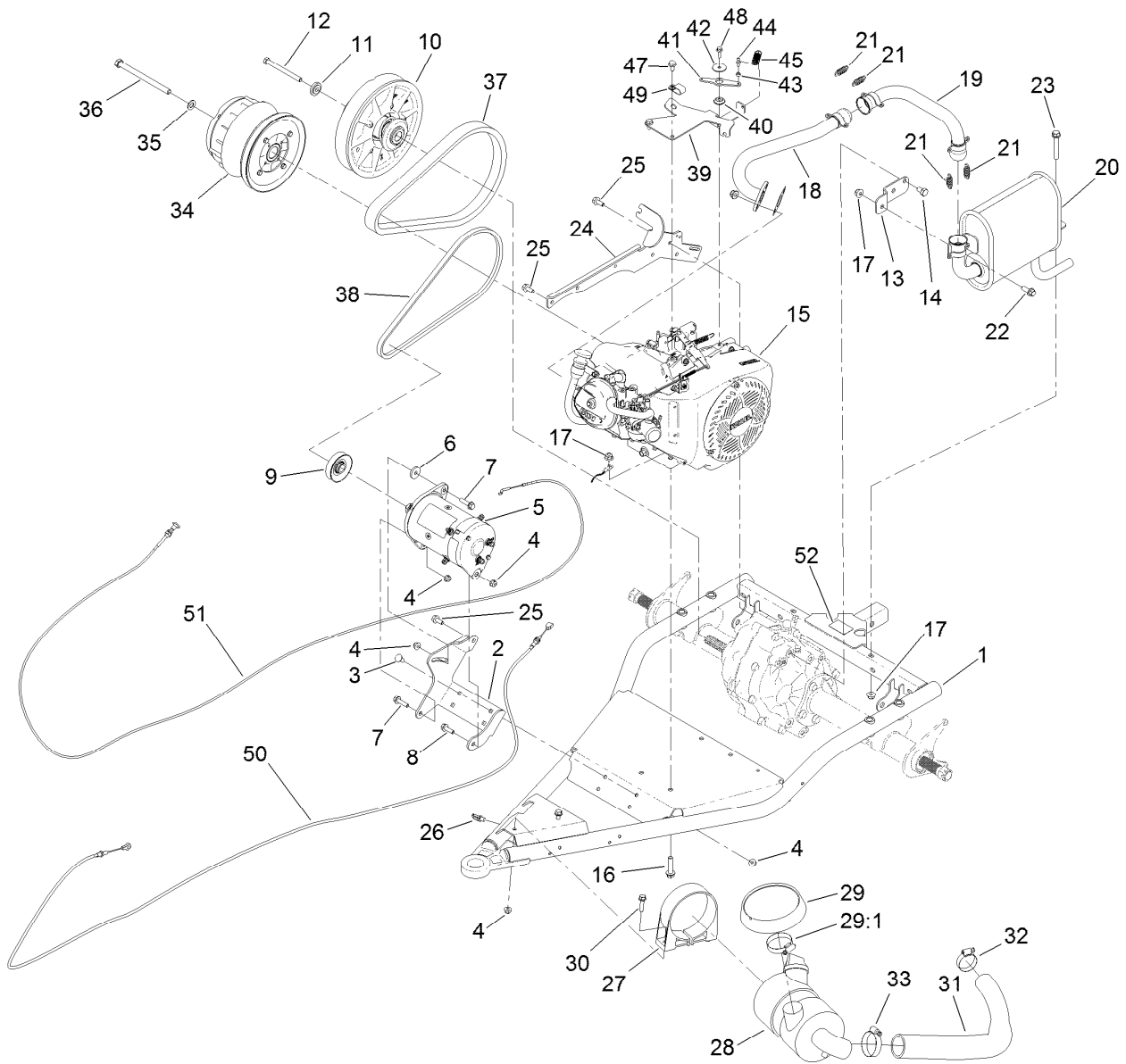
Ref.	Part Number	Qty.	Description
14	3234-5	25	Screw-HHF
15	132-8517	1	Rod-Prop
16	132-8518	1	Bracket-Rod, Prop
17	121-6343	2	Lanyard-Tailgate
18	132-0839	1	Bracket-U, Prop Rod
20	132-8538	2	Decal-Workman
21	133-3042-03	1	Support-Cargo Bed, RH
22	133-3043-03	1	Support-Cargo Bed, LH
23	133-3056	1	Handle-T
24	95-3857	1	Screw-HSBH
25	3218-3	1	Nut-Jam
26	133-3099-03	1	Brace-Bed, Extended
27	132-8526-03	1	Brace-Middle, Bed



Cargo Bed and Tailgate Assembly No. 131-8592

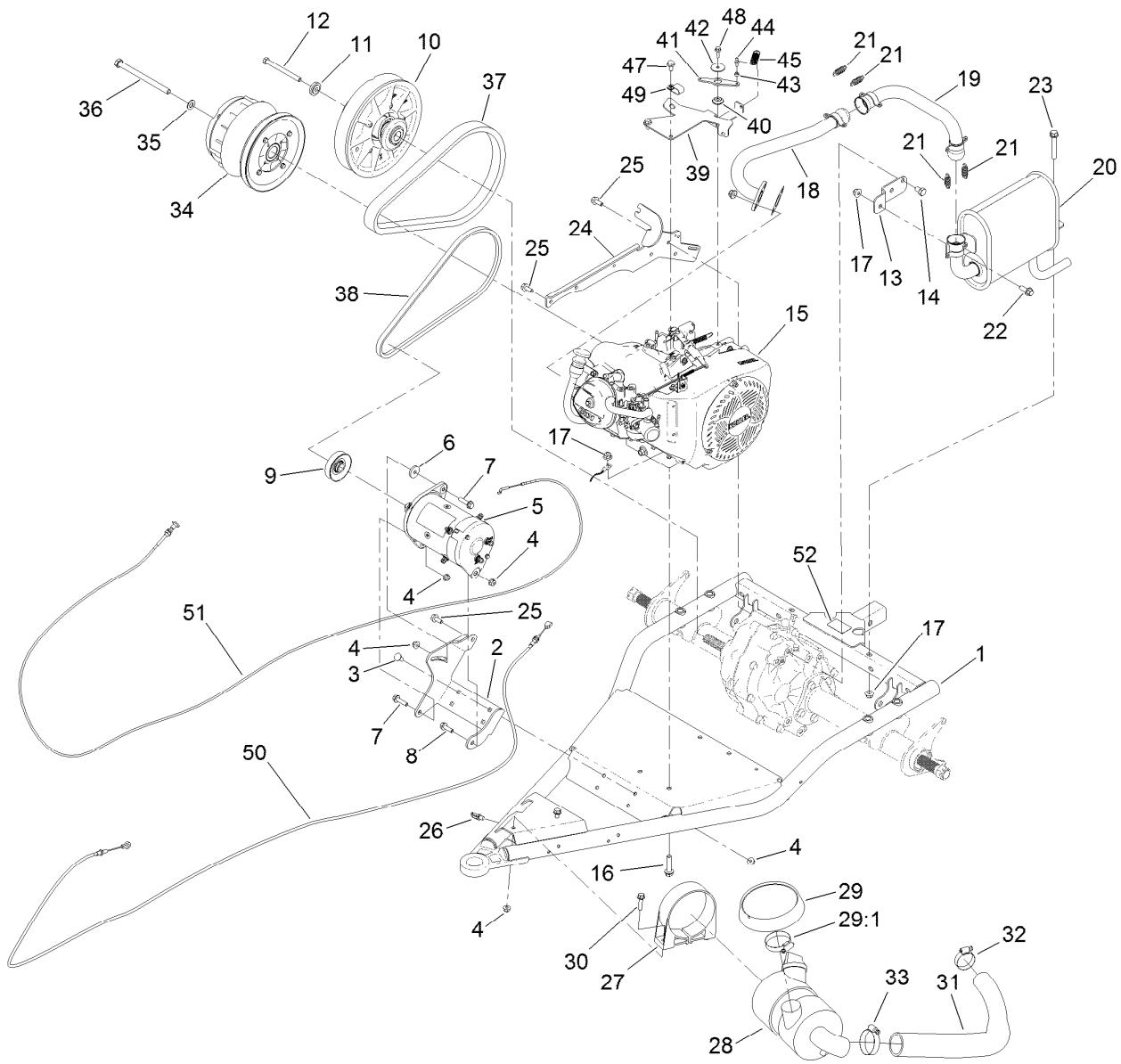
<i>Ref.</i>	<i>Part Number</i>	<i>Qty.</i>	<i>Description</i>
1		1	Cargo Bed And Tailgate ASM ●
1:2	132-0841	1	Tailgate
1:3	133-7100	2	Screw-Shoulder, Bh (Torx)
1:4	3290-456	2	Washer-Belleville
1:5	133-7146	2	Plug-Tailgate, Anti-Rattle
2	115-7739	1	Decal-No Riders

● Not serviced separately



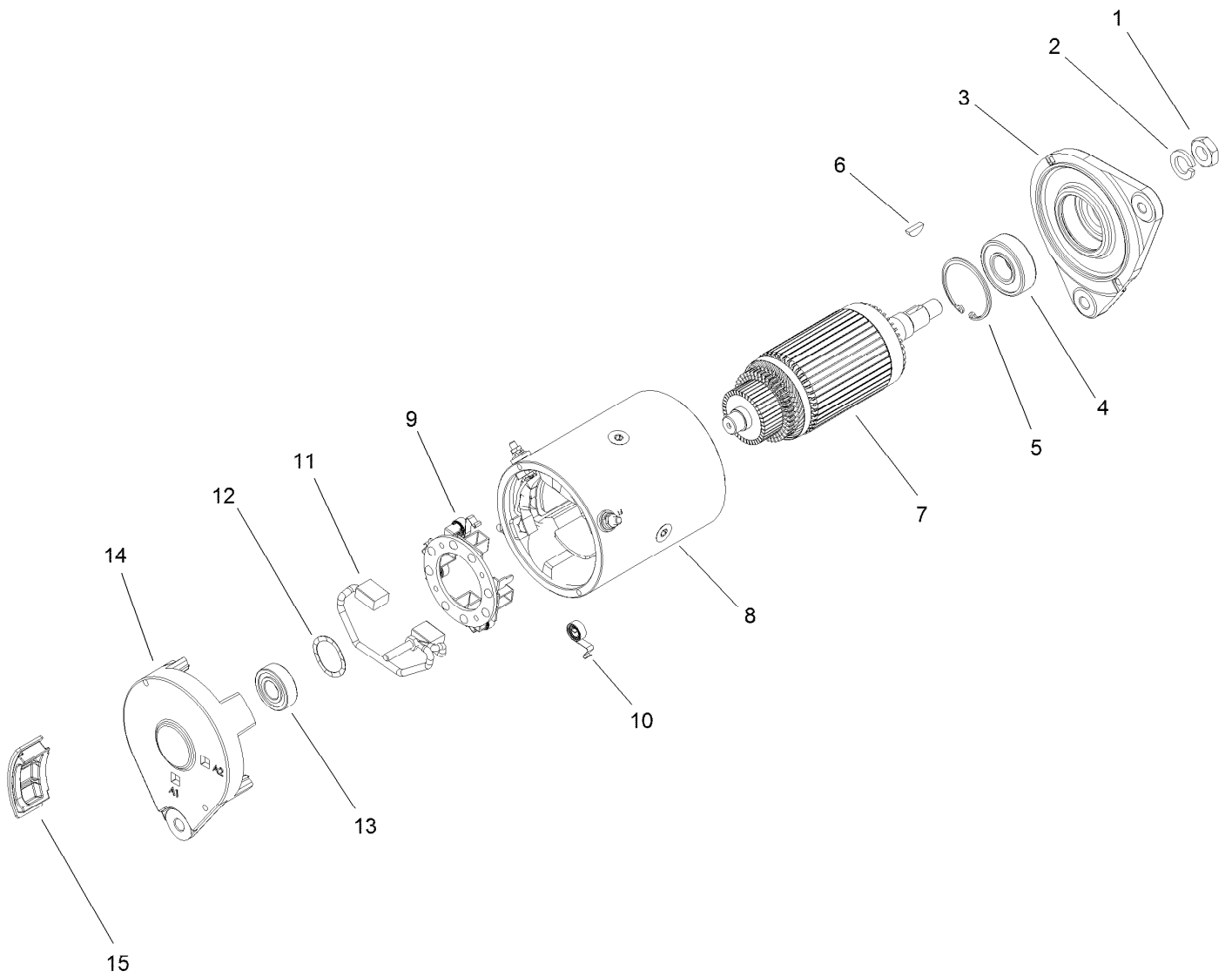
Engine Assembly

Ref.	Part Number	Qty.	Description	Ref.	Part Number	Qty.	Description
1	131-8520-03	1	*obs* Arm-Swing	22	3234-42	1	Screw-HHF
2	131-8503-03	1	Bracket-Starter/Generator	23	3234-39	1	Screw-HHF
3	3230-23	4	Bolt-CARR	24	131-8501-03	1	Bar-Spanner
4	104-8300	9	Nut-HF, NI	25	95-4184	6	Screw-HHF
5	131-8444	1	Starter/Generator ASM	26	32180-030	1	Clip-Tie
6	65-8270	1	Washer	27	95-5806	1	Bracket-Mounting, Air Cleaner
7	119-4036	2	Screw-HHF	28	99-7120	1	Air Cleaner ASM
8	3234-29	1	Screw-HHF	29	136-7859	1	Rain Cap Kit
9	121-6277	1	Pulley-Drive	29:1	1-643009	1	Clamp-Hose
10	119-6011	1	Secondary Clutch ASM	30	3234-36	2	Screw-HHF
11	104-6563	1	Washer-Stepped	31	131-8489	1	Hose-Intake, Air
12	119-0723	1	Screw-HH, Lock	32	2412-111	1	Clamp
13	131-8329	1	Bracket-Muffler	33	2412-92	1	Clamp-Hose
14	70-8470	2	Screw-HH	34	138-0095	1	Primary Clutch ASM
15	131-8502	1	Engine-Kohler, Ch440	35	3256-25	1	Washer-Flat
16	3234-19	4	Screw-HHF	36	131-8521	1	Screw-HH
17	104-8301	6	Nut-HF, NI	37	131-8567	1	Belt-Variable
18	131-8510	1	Manifold-Exhaust	38	94-8803	1	V-Belt, Impeller
19	131-8332	1	Pipe-Intermediate	39	131-8505	1	Bracket-Throttle
20	131-8334	1	Muffler	40	131-8524	1	Bushing-Flange
21	104-6478	4	Spring-Extension				



Engine Assembly (continued)

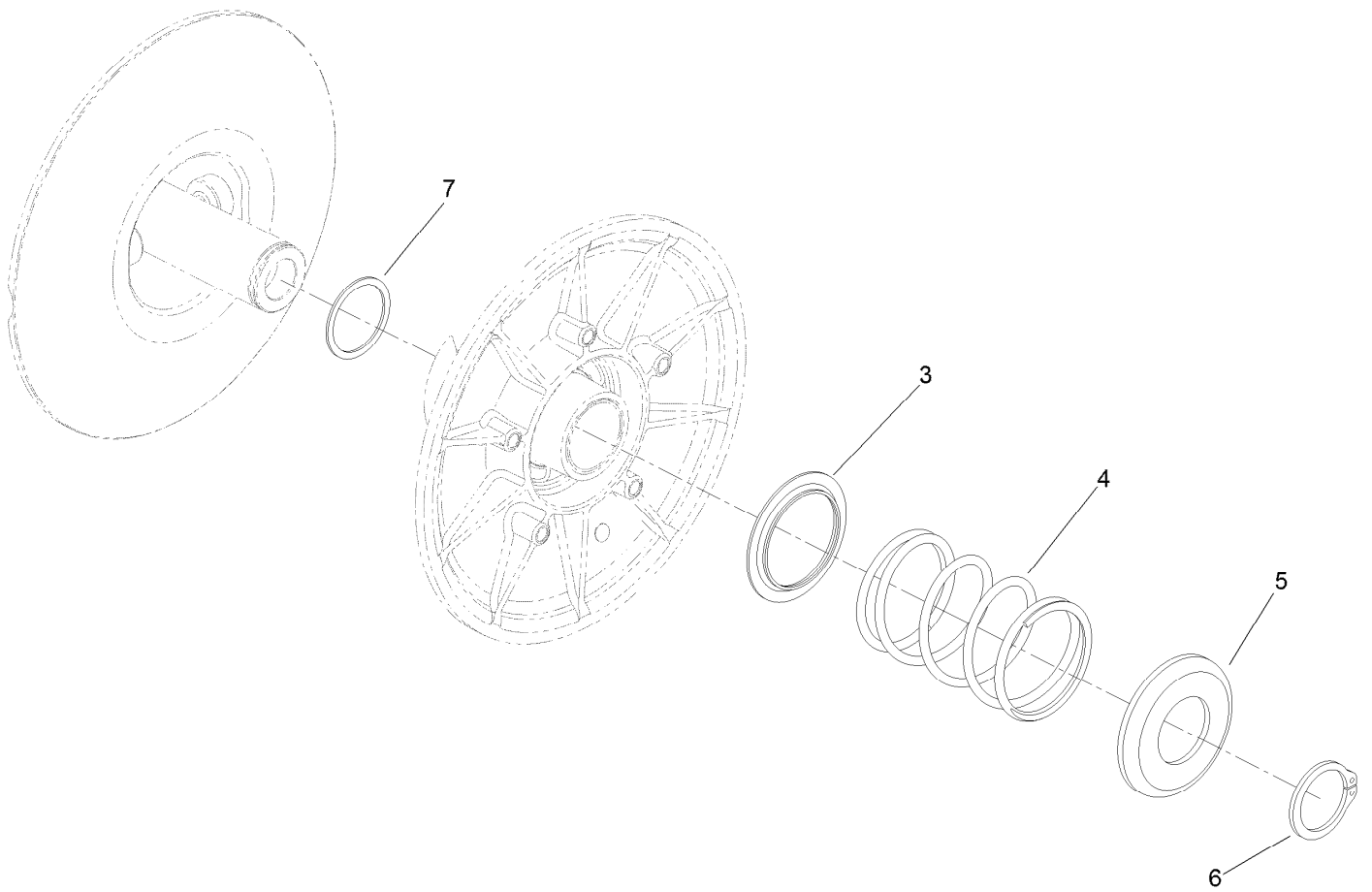
<i>Ref.</i>	<i>Part Number</i>	<i>Qty.</i>	<i>Description</i>	<i>Ref.</i>	<i>Part Number</i>	<i>Qty.</i>	<i>Description</i>
41	131-8504	1	Lever-Throttle	48	33103-020	1	Screw-HHF
42	3256-55	1	Washer-Flat	49	2412-105	1	Clamp-Tube, Double
43	110-2619	1	Keeper-Spring	50	127-8860	1	Cable-Accelerator
44	99-7847	1	Ball-Stud	51	131-8540	1	Cable-Choke
45	71-5470	1	Spring-Brake	52	137-9984	1	Decal-Load, Towing
47	33104-016	2	Screw-HHF				



Starter Generator Assembly No. 131-8444

Ref.	Part Number	Qty.	Description
1	119-9651	1	Nut
2	119-9652	1	Washer-Lock
3	133-0599	1	Head-Drive End
4	119-9655	1	Bearing
5	119-9656	1	Ring-Retaining
6	119-9657	1	Key-Woodruff
7	119-9658	1	Armature ASM
8		1	Frame And Field Assembly ●
9	119-9661	1	Brush Box ASM
10	119-9660	4	Spring-Brush
11	119-9659	1	Brush Lead And Terminal Service Kit
12	119-9662	1	Washer-Wave
13	119-9663	1	Bearing
14		1	Head-End, Cummutator ●
15	133-0600	4	Plug-Rubber

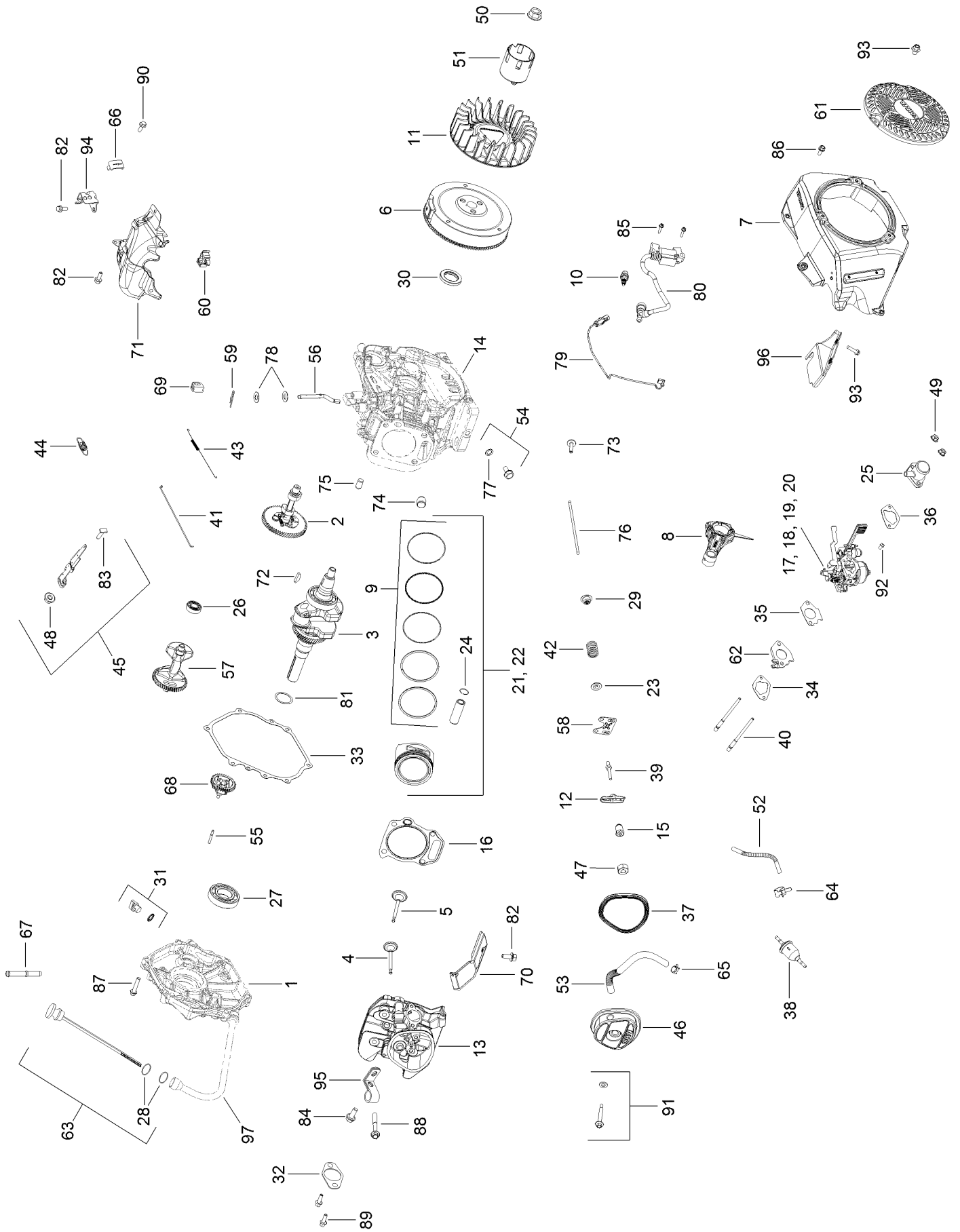
● Not serviced separately



Secondary Clutch Assembly No. 119-6011

<i>Ref.</i>	<i>Part Number</i>	<i>Qty.</i>	<i>Description</i>
3	119-0809	1	Cup-Spring Retainer, Inner
4	119-9360	1	Spring-Compression, Black/Almond
5	119-0810	1	Cup-Spring Retainer, Outer
6	119-0811	1	Ring-Retaining
7	119-6018	1	Shim-Thrust

Engine Assembly No. 131-8502



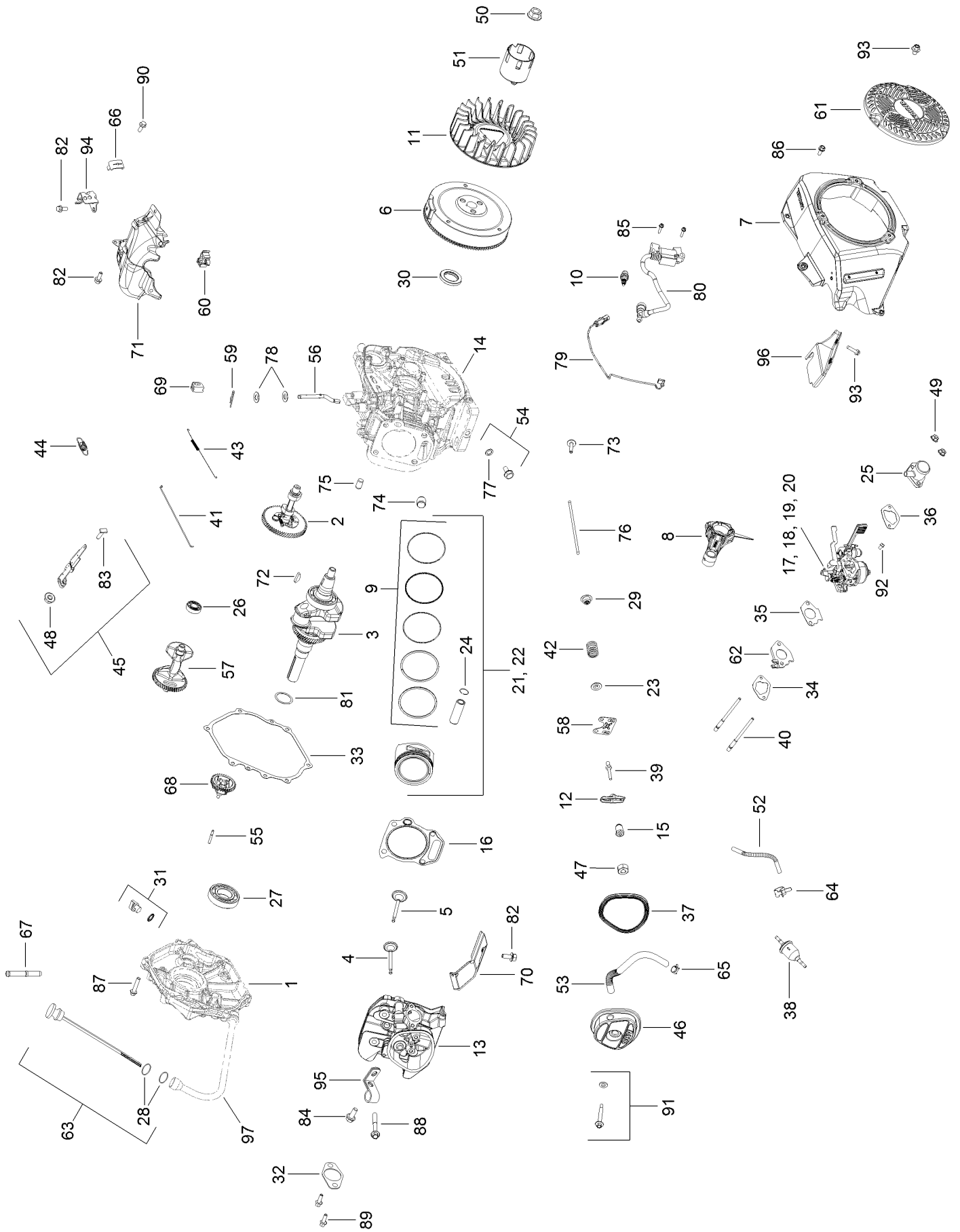
Engine Assembly No. 131-8502 (continued)

Ref.	Part Number	Qty.	Description	Ref.	Part Number	Qty.	Description
1		1	Plate-Closure ■	19:1:1		1	Gasket (Insulator To Head) ●■
2	136-4908	1	Camshaft ASM	19:1:2	136-4925	1	Gasket (Carb To Insulator) ●
3	136-4909	1	Crankshaft ASM	19:1:3	136-4926	1	Gasket-Cleaner, Air ●
4	136-4910	1	Valve-Exhaust	19:2		1	Needle/Float ASM ●■
5	136-4911	1	Valve-Intake	19:3		1	Pin-Hinge ●■
6	136-4914	1	Flywheel	19:4		1	O-Ring (Bowl Screw) ●■
7	136-4915	1	Blower Housing Kit	19:5		2	O-Ring (Idle Jet) ●■
8	136-4928	1	Connecting Rod ASM	19:6		1	O-Ring (Sediment Bowl) ●■
9	136-4937	1	Ring Set	19:7		1	O-Ring ●■
10	130-8380	1	Spark Plug	20	133-7277	1	Carburetor-Complete
11	136-4949	1	Fan-Flywheel	20:1		1	Carburetor Asm ●■
12	136-4953	2	Arm-Rocker	20:2	136-4924	1	Intake Gasket Kit ●
13	136-4961	1	Cylinder Head Kit	20:2:1		1	Gasket (Insulator To Head) ●■
13:1		1	Head-Cylinder ●■	20:2:2	136-4925	1	Gasket (Carb To Insulator) ●
13:2	136-4929	2	Stud-Intake ●	20:2:3	136-4926	1	Gasket-Cleaner, Air ●
14		1	Crankcase ■	21	136-4977	1	Piston W/Ring Set (STD)
15	136-4907	2	Pivot-Arm, Rocker	21:1		1	Piston (STD) ●■
16	136-4975	1	Head Gasket Kit	21:2	136-4937	1	Ring Set ●
16:1		1	Gasket-Head ●■	21:3	136-4913	2	Retainer-Piston ●
16:2	136-4924	1	Intake Gasket Kit ●	21:4		1	Wrist Pin ●■
16:2:1		1	Gasket (Insulator To Head) ●■	22	136-4978	1	Piston Kit (0.25 Os)
16:2:2	136-4925	1	Gasket (Carb To Insulator) ●	22:1		1	Piston (0.25 Os) ●■
16:2:3	136-4926	1	Gasket-Cleaner, Air ●	22:2		1	Ring Set (0.25 Os) ●■
16:3	136-4922	1	Gasket-Muffler ●	22:3	136-4913	2	Retainer-Piston ●
17	133-7275	1	High Altitude Kit (4000 To 8000 Ft)	22:4		1	Pin-Wrist ●■
17:1		1	Jet-Main (4000 To 8000 Ft) ●■	23	136-4912	2	Retainer-Spring, Valve
17:2	136-4974	1	Carburetor Repair Kit ●	24	136-4913	1	Retainer-Piston
17:2:1	136-4924	1	Intake Gasket Kit ●	25	136-4916	1	Adapter-Inlet, Air
17:2:1:1		1	Gasket (Insulator To Head) ●■	26	136-4917	2	Bearing-Shaft, Balance
17:2:1:2	136-4925	1	Gasket (Carb To Insulator) ●	27	136-4918	2	Bearing-Crankshaft
17:2:1:3	136-4926	1	Gasket-Cleaner, Air ●	28	136-4947	2	O-Ring (Dipstick Cap)
17:2:2		1	Needle/Float ASM ●■	29	136-4919	2	Seal-Stem, Valve
17:2:3		1	Pin-Hinge ●■	30	136-4920	2	Seal-Crankshaft
17:2:4		1	O-Ring (Bowl Screw) ●■	31	136-4952	1	Oil Fill Cap ASM
17:2:5		2	O-Ring (Idle Jet) ●■	31:1		1	Oil Fill Cap ●■
17:2:6		1	O-Ring (Sediment Bowl) ●■	31:2		1	Gasket ●■
17:2:7		1	O-Ring ●■	32	136-4922	1	Gasket-Muffler
18	133-7276	1	High Altitude Kit (8000 Ft Plus)	33	136-4923	1	Gasket-Plate, Closure
18:1		1	Jet-Main (8000 Ft Plus) ●■	34	136-4924	1	Intake Gasket Kit
18:2	136-4974	1	Carburetor Repair Kit ●	34:1		1	Gasket (Insulator To Head) ●■
18:2:1	136-4924	1	Intake Gasket Kit ●	34:2	136-4925	1	Gasket (Carb To Insulator) ●
18:2:1:1		1	Gasket (Insulator To Head) ●■	34:3	136-4926	1	Gasket-Cleaner, Air ●
18:2:1:2	136-4925	1	Gasket (Carb To Insulator) ●	35	136-4925	1	Gasket (Carb To Insulator)
18:2:1:3	136-4926	1	Gasket-Cleaner, Air ●	36	136-4926	1	Gasket-Cleaner, Air
18:2:2		1	Needle/Float ASM ●■	37	136-4927	1	Gasket-Cover, Valve
18:2:3		1	Pin-Hinge ●■	38	131-8588	1	Filter-Fuel (75 Micron Gravy Feed)
18:2:4		1	O-Ring (Bowl Screw) ●■	39	136-4900	2	Stud-Arm, Rocker
18:2:5		2	O-Ring (Idle Jet) ●■	40	136-4929	2	Stud-Intake
18:2:6		1	O-Ring (Sediment Bowl) ●■	41	136-4930	1	Linkage-Governor
18:2:7		1	O-Ring ●■	42	136-4931	2	Spring-Valve
19	136-4974	1	Carburetor Repair Kit	43	136-4932	1	Spring-Linkage
19:1	136-4924	1	Intake Gasket Kit ●	44	136-4933	1	Spring-Governor
				45	136-4934	1	Governor Lever Kit
				45:1		1	Lever-Governor ●■

● Not illustrated

■ Not serviced separately

Engine Assembly No. 131-8502 (continued)

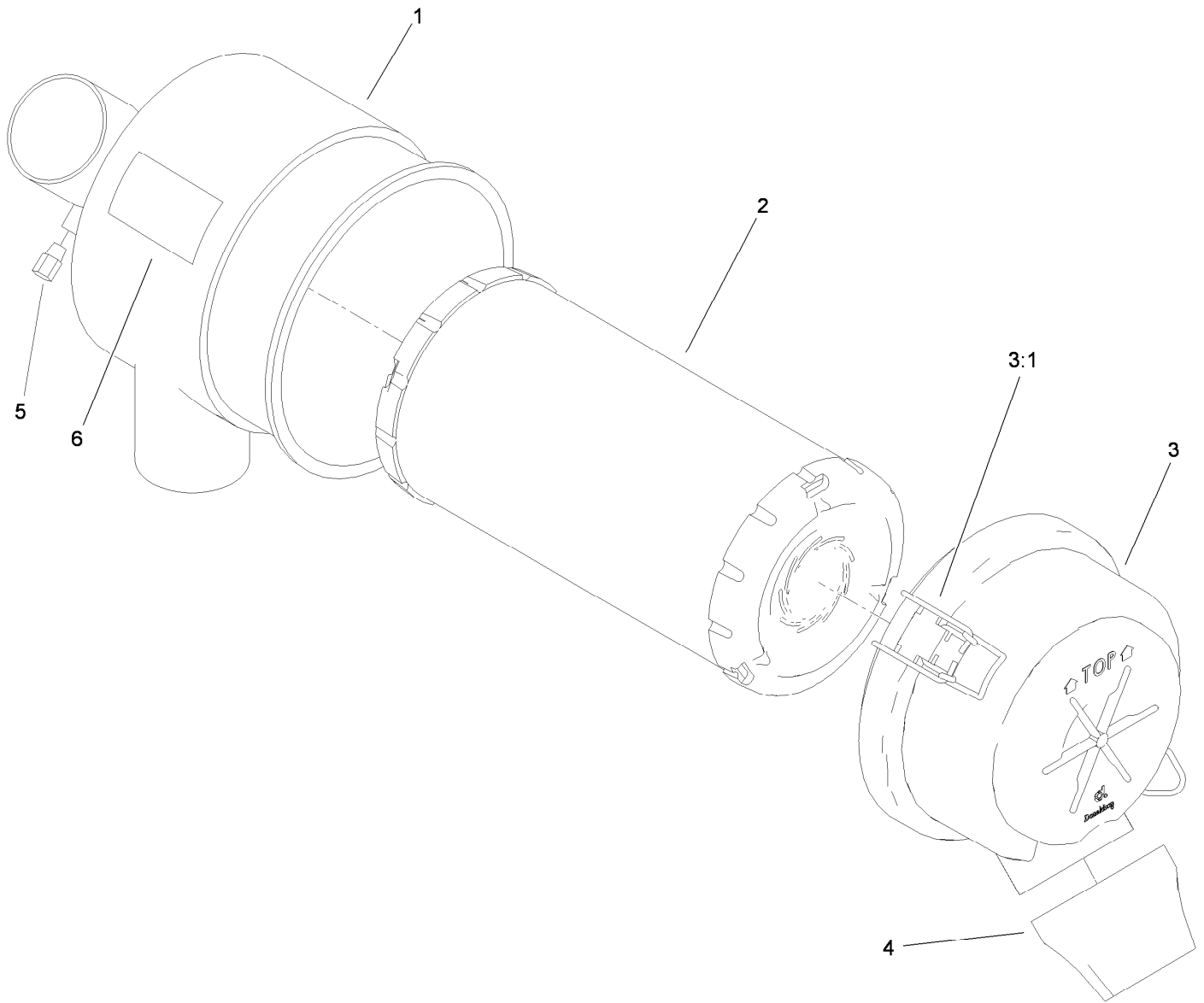


Engine Assembly No. 131-8502 (continued)

<i>Ref.</i>	<i>Part Number</i>	<i>Qty.</i>	<i>Description</i>	<i>Ref.</i>	<i>Part Number</i>	<i>Qty.</i>	<i>Description</i>
47	136-4901	2	Nut-HJ	72	136-4906	1	Key-Flywheel
48	136-4902	1	Nut-HF	73	136-4963	2	Lifter-Valve
49	136-4903	2	Nut-HF, Lock	74	136-4964	2	Pin-Dowel, Cylinder Head
50	136-4936	1	Nut-Flywheel	75	136-4965	2	Pin-Dowel
51	136-4938	1	Cup-Drive, Starter	76	136-4966	2	Rod-Push
52	136-4939	1	Hose-Fuel	77	136-4967	2	Washer-Plug, Drain
53	136-4962	1	Hose-Breather	78	136-4968	2	Washer-Flat
54	136-4942	2	Drain Plug Kit	79	136-4969	1	Lead (Ground To Kill)
54:1		1	Plug-Drain ●■	80	136-4970	1	Module-Ignition
54:2	136-4967	1	Washer-Plug, Drain ●	81	136-4971	1	Shim Kit
55	136-4943	1	Shaft-Gear, Governor	82	136-4979	5	Screw-HF
56	136-4944	1	Shaft-Cross, Governor	83	136-4980	1	Screw-Rect Head
57	136-4945	1	Shaft-Balance	84	136-4991	1	Screw-HF
58	136-4946	1	Plate-Guide, Pushrod	85	136-4981	2	Screw
59	136-4904	1	Clip-Shaft, Governor	86	136-4982	5	Screw
60	136-4948	1	Clip-Harness, Wire	87	136-4983	7	Screw-Plate, Closure
61	136-4950	1	Screen-Housing, Blower	88	136-4984	4	Screw-CYL HD, HF
62	136-4951	1	Insulator Kit	89	136-4985	2	Screw
62:1		1	Insulator ●■	90	136-4986	1	Screw-Hex, Phillips
62:2	136-4924	1	Intake Gasket Kit ●	91	136-4988	1	Screw (Valve Cover Seal ASM)
62:2:1		1	Gasket (Insulator To Head) ●■	91:1		1	Screw-Cover, Valve ●■
62:2:2	136-4925	1	Gasket (Carb To Insulator) ●	91:2		1	Gasket-Screw, Valve Cover ●■
62:2:3	136-4926	1	Gasket-Cleaner, Air ●	92	136-4989	1	Screw-Drain, Bowl
63	136-4921	1	Dipstick ASM	93	136-4987	5	Screw-HF
63:1		1	Dipstick ●■	94	136-4940	1	Remote Choke Bracket ASM
63:2		2	O-Ring (Dipstick Cap) ●■	95	136-4941	1	Bracket-Tube, Dipstick
64	136-4905	2	Clamp-Line, Fuel	96	136-4958	1	Flywheel Finger Guard ASM
65	136-4990	1	Clamp-Hose	97		1	Tube-Dipstick ■
66	136-4954	1	Clamp-Cable	99	94-9695	1	Filter-Fuel ●
67	136-4955	1	Fitting-Pump, Pulse	99	138-6521	1	Sensor-Oxygen ●
68	136-4956	1	Governor ASM	99	136-6347	1	Pump-Fuel, EFI ●
69	136-4957	1	Grommet-Crankcase	99	131-8526	1	Pump-Fuel ●
70	136-4959	1	Shield-Head, Cylinder				
71	136-4960	1	Shield-Heat, Upper				

● Not illustrated

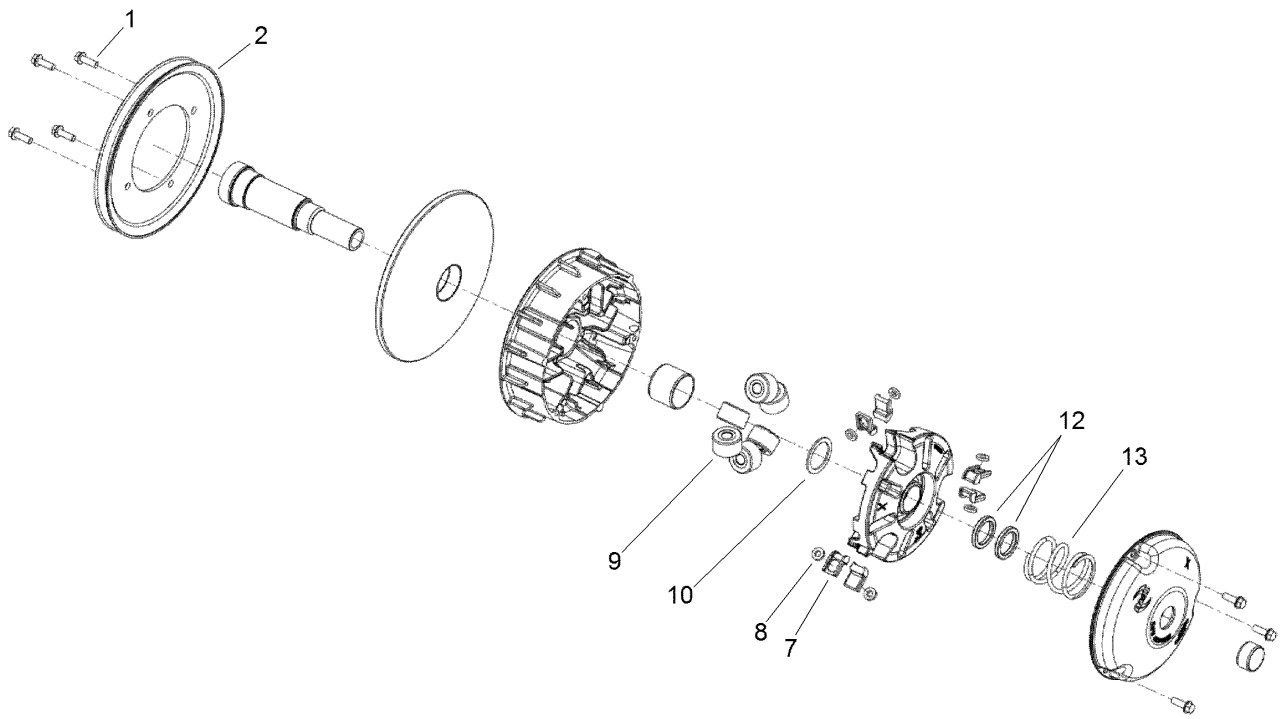
■ Not serviced separately



Air Cleaner Assembly No. 99-7120

Ref.	Part Number	Qty.	Description
1		1	Body ●
2	108-3811	1	Filter-Air
3	94-3652	1	Cover ASM
3:1	1-643283	2	Latch-Cleaner, Air
4	87-9400	1	Valve-Vacuator
5		1	Plug ●
6		1	Marking ●

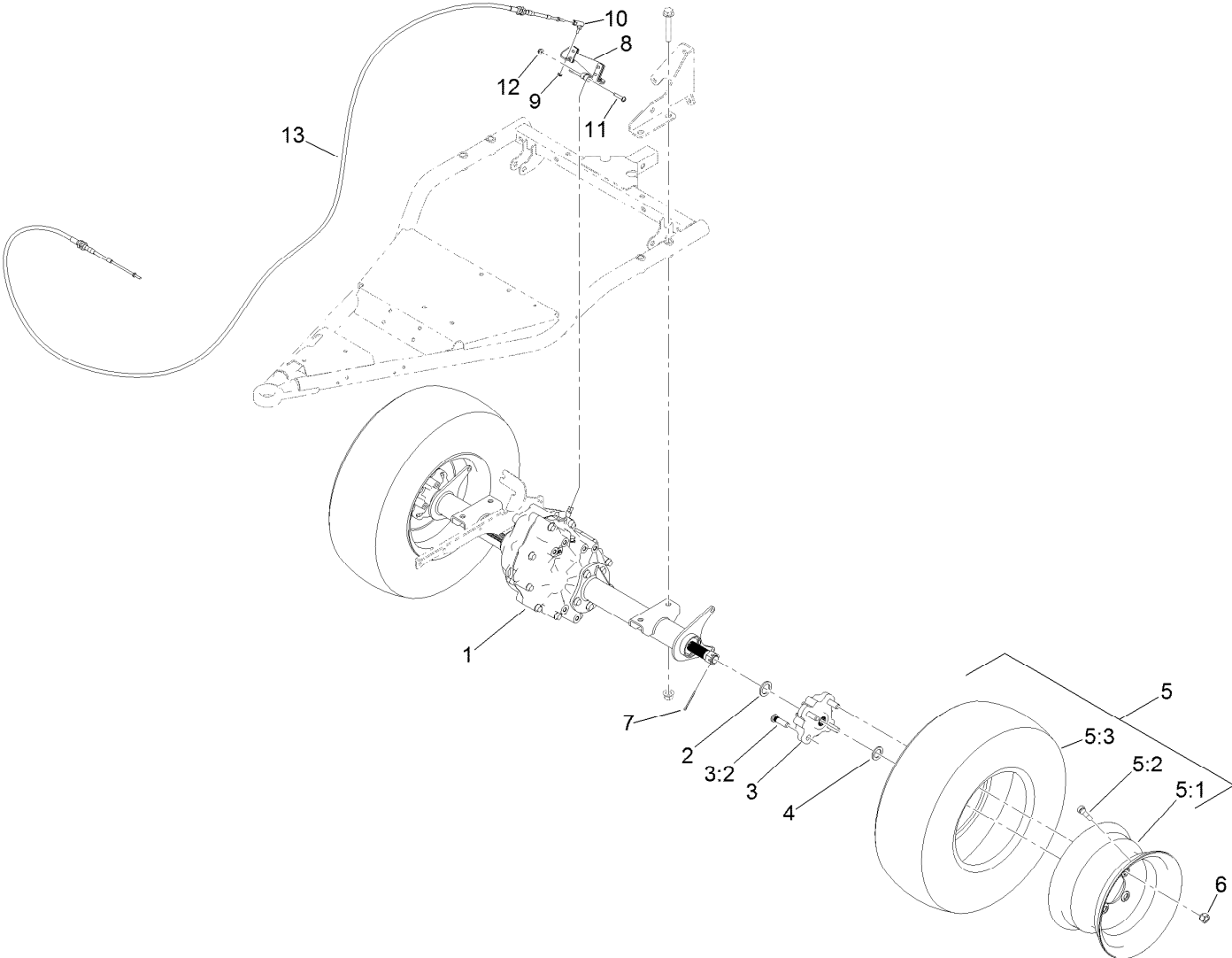
● Not serviced separately



Primary Clutch Assembly No. 138-0095

<i>Ref.</i>	<i>Part Number</i>	<i>Qty.</i>	<i>Description</i>
1	49-2040	7	Screw-HWHTF
2	119-0813	1	Pulley-Primary
7	127-8689	6	Button-Primary, Torque
8	127-8690	6	Plug-Button, Torque
9	119-0804	6	Weight-Roller
10	119-0812	1	Shim-Spider
12	119-0807	2	Shim-Limiter
13	119-9532	1	Spring-Red/White

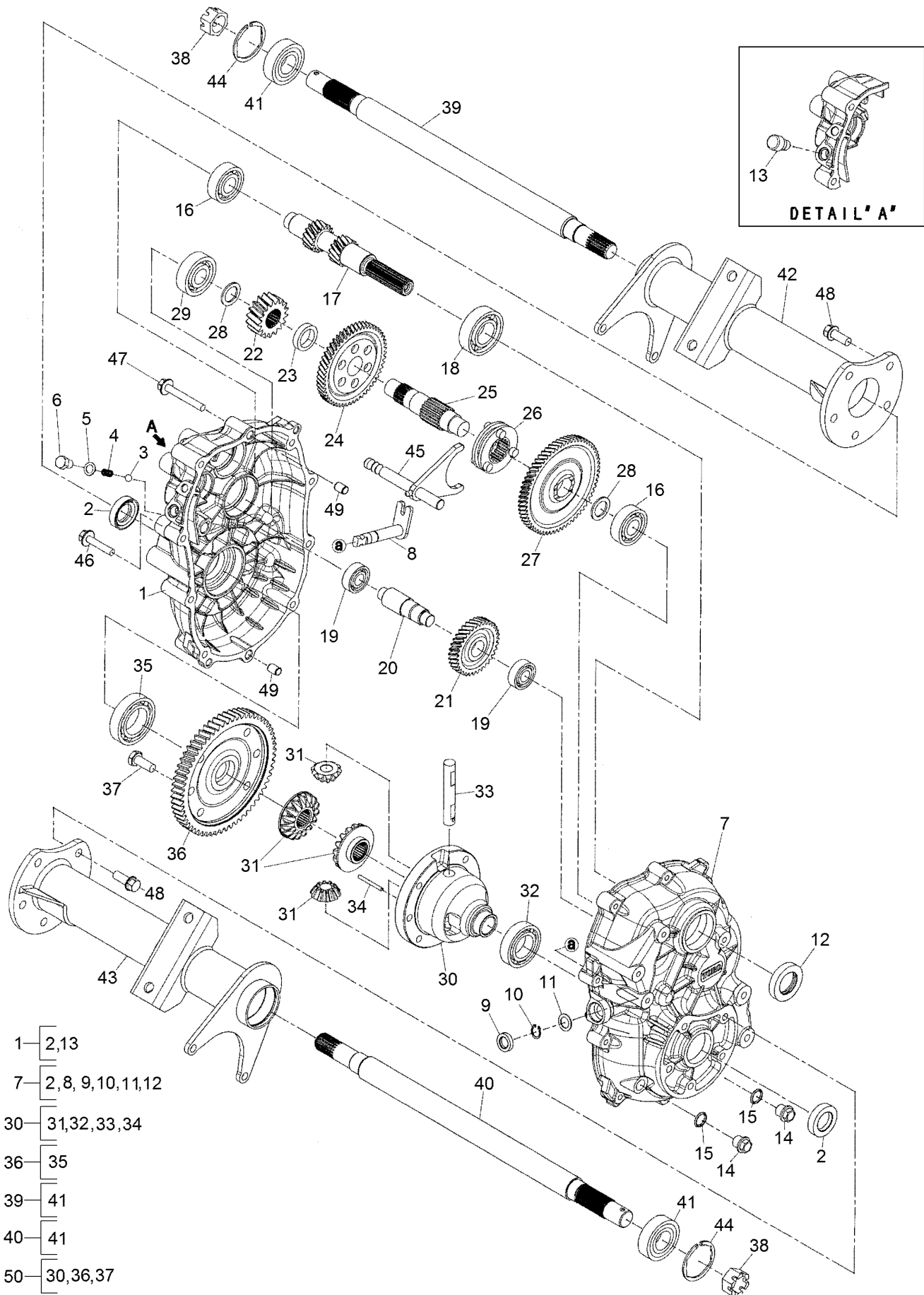
Rear Wheel and Transaxle Assembly



Rear Wheel and Transaxle Assembly (continued)

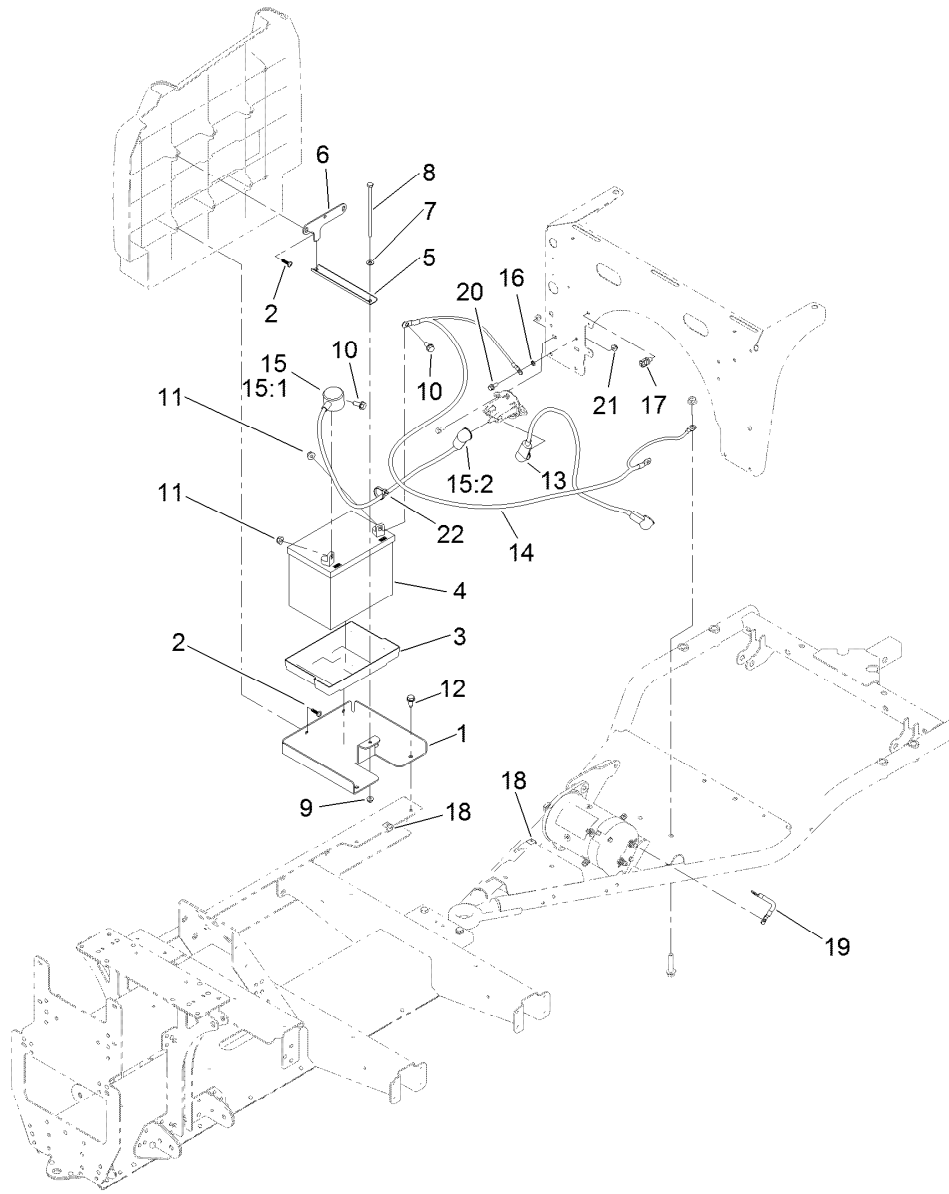
<i>Ref.</i>	<i>Part Number</i>	<i>Qty.</i>	<i>Description</i>	<i>Ref.</i>	<i>Part Number</i>	<i>Qty.</i>	<i>Description</i>
1	131-3486	1	Transaxle	6	242-50	8	Nut-Lug
2	131-8570	2	Spacer-Hardened	7	1-806800	2	Pin-Cotter
3	127-8848	2	Rear Hub ASM	8	133-7260-03	1	Arm-Shift
3:2	10-6830	4	Stud-Type, Drive	9	3296-27	1	Nut-Lock, NI
4	3-7898	2	Washer-Thrust	10	2411-38	1	Joint-Ball
5	131-8319	2	Tire/Wheel ASM	11	132-6777	1	Screw-TTH
5:1	131-8317	1	Wheel	12	104-7201	1	Nut-HF
5:2	232-27	1	Stem-Valve	13	127-8897	1	Cable-Shift
5:3	131-8318	1	Tire				

Transaxle Assembly No. 131-3486



Transaxle Assembly No. 131-3486 (continued)

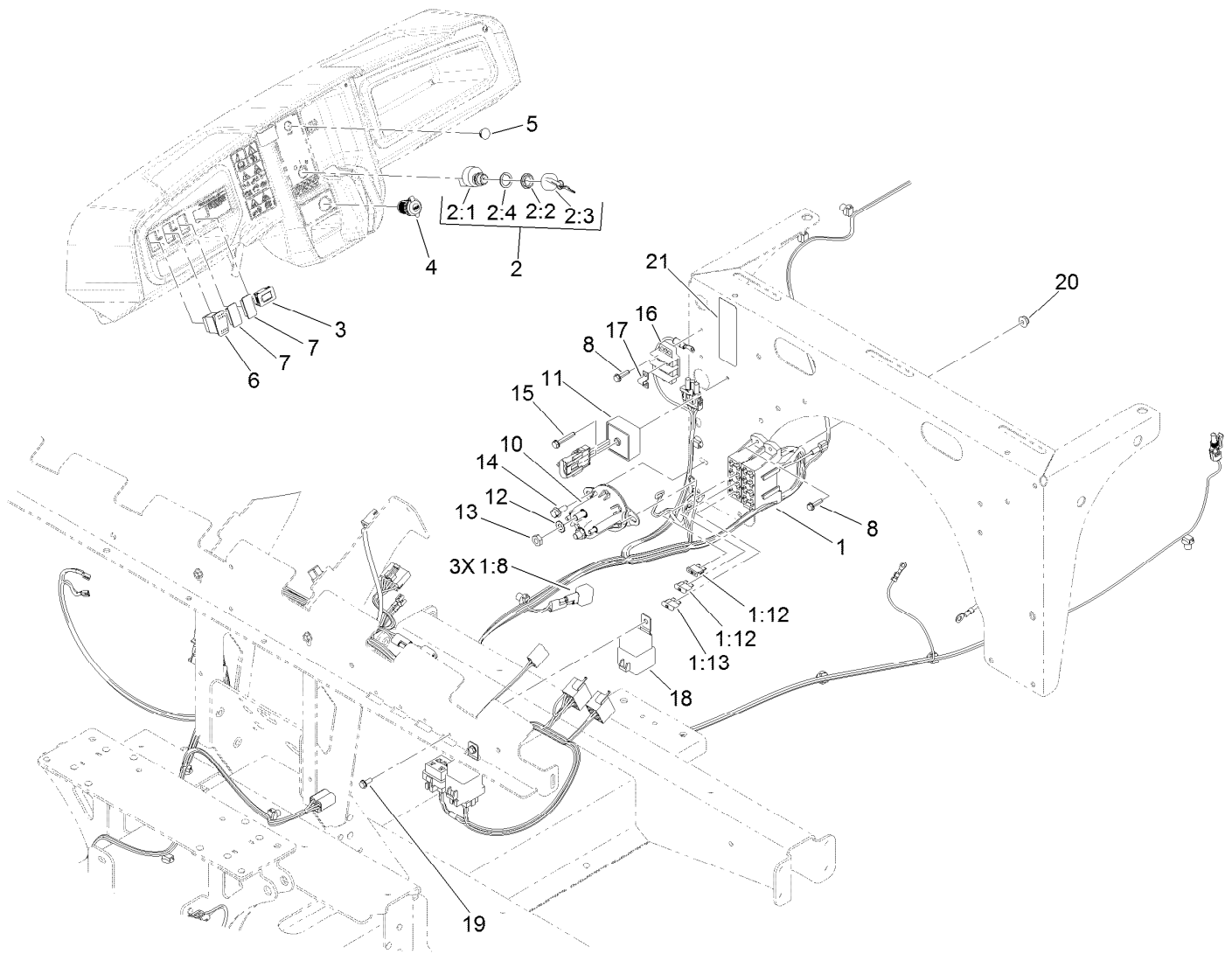
<i>Ref.</i>	<i>Part Number</i>	<i>Qty.</i>	<i>Description</i>	<i>Ref.</i>	<i>Part Number</i>	<i>Qty.</i>	<i>Description</i>
1	133-2400	1	Case-LH	26	133-2419	1	Clutch-Pin
2	133-2401	2	Seal-Oil	27	133-2420	1	Gear
3	104-1660	1	Ball-Steel	28	133-2421	2	Spacer
4	104-1661	1	Spring	29	133-2422	1	Bearing-Ball
5	104-1662	1	Gasket	30	133-2423	1	Case-Differential
6	104-1663	1	Bolt	31	133-2424	1	Set-Gear, Differential
7	133-2402	1	Case-RH	32	133-2425	1	Bearing-Ball
8	133-2403	1	Shaft-Select	33	104-1644	1	Shaft-Differential
9	133-2446	1	Seal-Oil	34	104-1645	1	Pin
10	133-2404	1	Ring-Snap	35	133-2426	1	Bearing-Ball
11	133-2405	1	Spacer	36	133-2427	1	Gear
12	104-1607	1	Seal-Oil	37	104-1649	6	Bolt
13	133-2406	1	Breather-Air	38	133-2428	2	Nut-Castle
14	133-2407	2	Plug-Drain, Oil	39	133-2429	1	Shaft-Axle, LH
15	133-2408	2	Gasket	40	133-2430	1	Shaft-Axle, RH
16	133-2409	2	Bearing-Ball	41	133-2431	2	Bearing-Ball
17	133-2410	1	Shaft-Input	42	133-2432	1	Case-Axle, LH
18	133-2411	1	Bearing-Ball	43	133-2433	1	Case-Axle, RH
19	133-2412	2	Bearing-Ball	44	133-2434	2	Ring-Snap
20	133-2413	1	Shaft-Counter	45	133-2435	1	Shaft-Shift
21	133-2414	1	Gear	46	133-2436	1	Bolt-Flange
22	133-2415	1	Gear	47	133-2437	9	Bolt-Flange
23	133-2416	1	Collar	48	133-2438	10	Bolt-Flange
24	133-2417	1	Gear	49	133-2439	2	Pipe-Knock
25	133-2418	1	Shaft-Center	50	133-2440	1	Differential ASM



Battery and Cable Assembly

<i>Ref.</i>	<i>Part Number</i>	<i>Qty.</i>	<i>Description</i>	<i>Ref.</i>	<i>Part Number</i>	<i>Qty.</i>	<i>Description</i>
1	127-7810-03	1	Base-Battery	15	109-7621	1	Positive Battery Cable ASM
2	120-2349	4	Screw	15:1	1-543393	1	Insulator-Solenoid
3	106948	1	Tray-Battery	15:2	109-2407	1	Insulator-Battery
4	104-8162	1	Battery	16	3255-7	1	Washer-Lock/EXT
5	127-7816-03	1	Channel-Clamp, Battery	17	32180-030	1	Clip-Tie
6	127-7814-03	1	Plate-Clamp, Battery	18	32180-082	3	Clip-Edge W/Tie, Perpendicular
7	3256-22	1	Washer-Flat	19	122-1176	1	Cable-Battery, Negative
8	321-47	1	Screw-HH	20	3234-33	1	Screw-HHF
9	104-7201	1	Nut-HF	21	104-7201	1	Nut-HF
10	3234-5	2	Screw-HHF	22	3290-378	1	Tie-Cable
11	104-8300	2	Nut-HF, NI	99	107-0392	1	Protection-Terminal, Aerosol ●
12	32144-70	2	Screw-HWHTF				
13	122-0639	1	Cable-Battery, Positive				
14	122-0638	1	Cable-Battery, Negative				

● Not illustrated

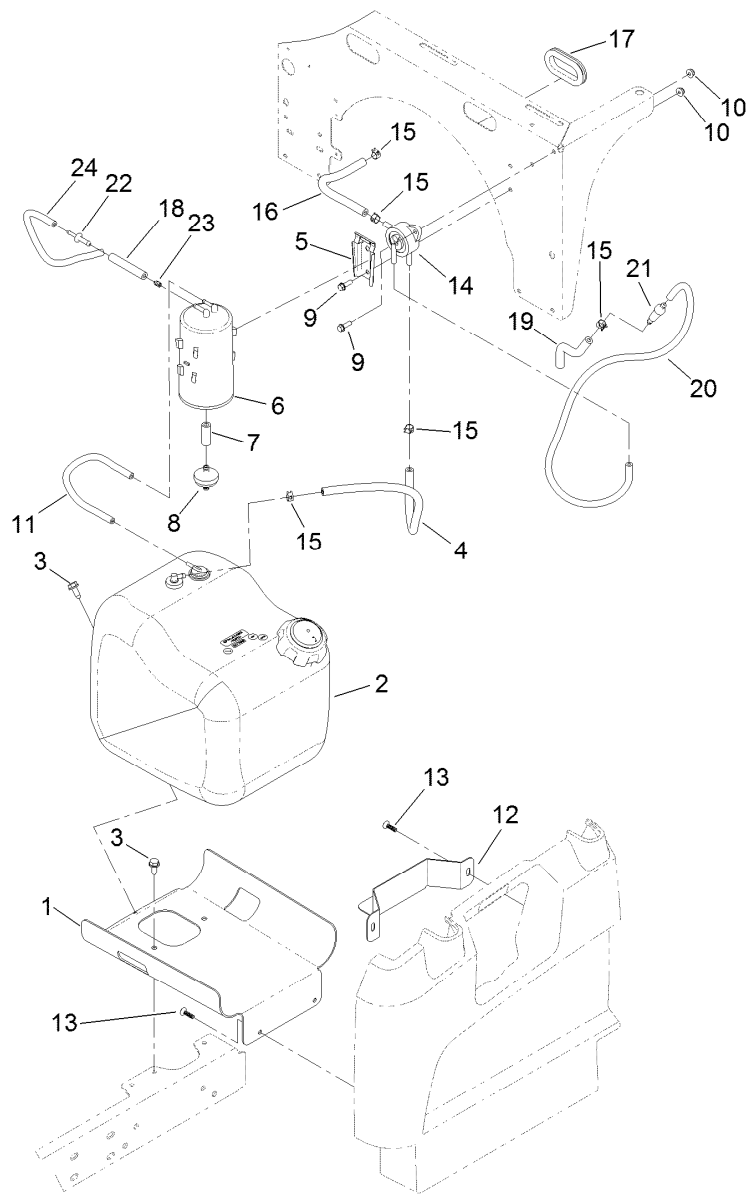


Electrical Assembly

Ref.	Part Number	Qty.	Description	Ref.	Part Number	Qty.	Description
1	122-1143	1	Harness-Wire	7	99-7420	2	Plug-Hole
1:8	100-4918	3	Diode	8	100-4351	4	Screw-HWH
1:12	109355	1	Fuse-Blade, 15 Amp	10	114-3315	1	Solenoid
1:13	218-578	2	Fuse-Blade, 10 Amp	11	119-9492	1	Regulator-Voltage
1:14	32160-093	1	Connector-Mp280, 2M ●	12	3255-8	2	Washer-Lock
1:23	32160-056	1	Connector-Amp ●	13	3220-2	2	Nut-Jam
2	122-1145	1	Ignition Switch ASM	14	3234-33	2	Screw-HHF
2:1		1	Switch-Ignition ■	15	100-4352	1	Screw-HWH
2:2	108-8660	1	Nut-Mounting	16	42862	1	Block-Terminal, Ground
2:3	106-5270	1	Ignition Key Set	17	42863	1	Strip-Jumper
2:4	108-8659	1	Washer-Backup	18	99-7430	2	Relay-Mini
3	120-2244	1	Hourmeter	19	32144-1	2	Screw-Taptite
4	131-8388	1	Socket-USB	20	104-7201	2	Nut-HF
5	94-5627	1	Plug	21	131-8552	1	Decal-Fuse Block, 12V
6	95-8999	1	Switch				

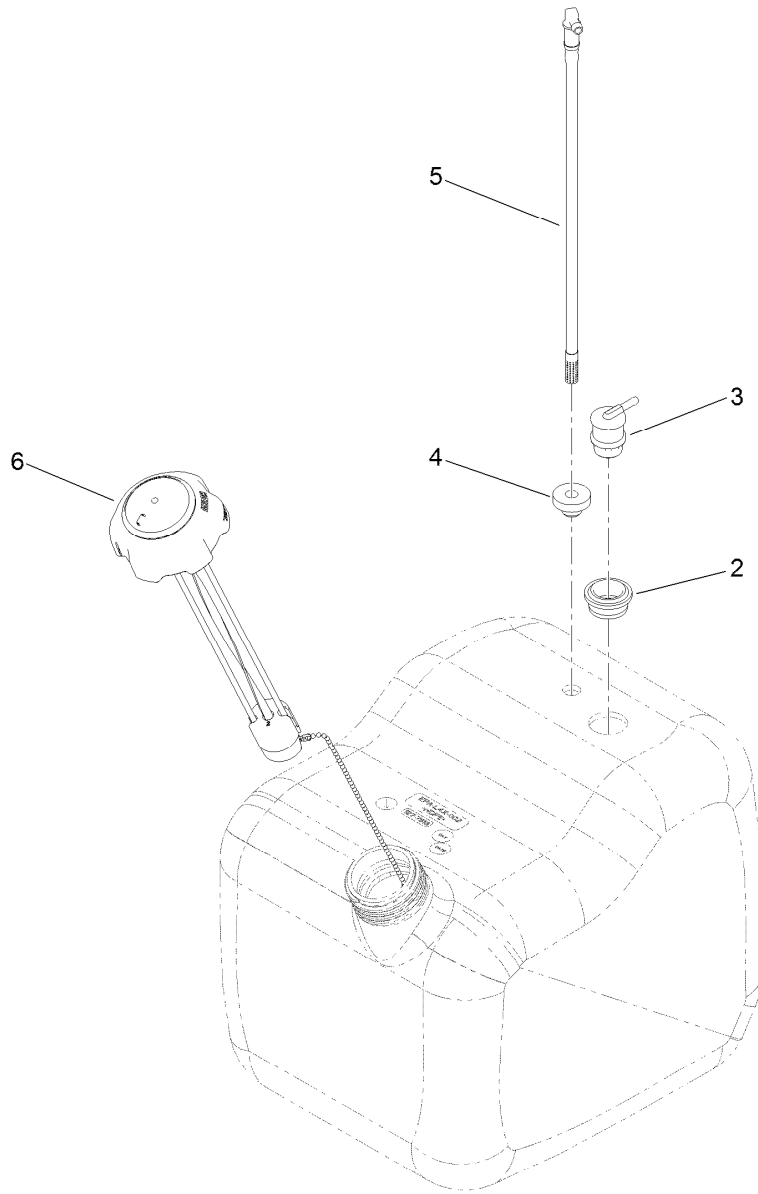
● Not illustrated

■ Not serviced separately



Fuel System Assembly

<i>Ref.</i>	<i>Part Number</i>	<i>Qty.</i>	<i>Description</i>	<i>Ref.</i>	<i>Part Number</i>	<i>Qty.</i>	<i>Description</i>
1	127-7739-03	1	Mount-Tank, Fuel	13	120-2349	4	Screw
2	127-7849	1	Fuel Tank ASM	14	131-8526	1	Pump-Fuel
3	32144-70	3	Screw-HWHTF	15	2412-98	5	Clamp-Hose
4	114-4428	1	Hose-Fuel	16	109-0282	1	Hose-Fuel
5	114-0292	1	Bracket-Canister, Carbon	17	240-12	1	Grommet-Rubber
6	127-8685	1	Canister-Carbon	18	114-3765	1	Hose-Fuel
7	106-5317	1	Hose-Fuel	19	109-0300	1	Hose-Fuel
8	115-7854	1	Filter-Fuel, Inline	20	110-3254	1	Hose-Fuel
9	32105-15	4	Screw-HWH	21	138-5553	1	Filter-Fuel, 250 Micron
10	104-7201	4	Nut-HF	22	117-5399	1	Adaptor-Orifice
11	115-4735	1	Hose-Fuel	23	120-2038	1	Cartridge-Valve, Check
12	127-7845-03	1	Bracket-Tank, Fuel	24	110-8181	1	Hose-Fuel



Fuel Tank Assembly No. 127-7849

<i>Ref.</i>	<i>Part Number</i>	<i>Qty.</i>	<i>Description</i>
2	114-0284	1	Grommet
3	114-0285	1	Valve-Rollover
4	46-6560	1	Bushing
5	115-9044	1	Pipe-Stand
6	131-8357	1	Cap-Gauge

Attachments and Accessories

For 07042 Workman GTX Utility Vehicle with Bucket Seat

Product Name	Model/Part
Workman GTX 2-Person Canopy	07921
Multi-passenger Kit	07133
Bench Seat Base Kit (2016).....	07135
12V Electric Lift Kit.....	07144
Brush Guard Kit	07145
Front Hitch Kit, Workman GTX Series Utility Vehicles with Brush Guard	07146
Front Hitch Kit, Workman GTX or MDX Series Utility Vehicles without Brush Guard	07147
Steel Flat Bed Kit	07148
Storage Box Kit.....	07156
Brake and Signal Light Kit.....	132-8579
Walk Spreader Mounting Kit	07029
6in L-Track Kit.....	07158
2in L-Track Kit.....	07159
Hose Reel Mounting Kit	07027
Class 1 Draw Bar Kit.....	133-3095
Horn Kit.....	133-3016
Reverse Alarm Kit.....	133-3018
Power Point Kit	131-8550
Parking Brake Alarm Kit.....	133-3019
Trash Can Mounting Kit	07028
Spark Arrestor Screen Kit	133-7109
Bed Rack Kit.....	07031
Cab Kit.....	07142
Canopy Kit	07140
Mount-Ball	133-7116
Road Light and Homologation Kit	133-7128
12V Electric Bed Lift Kit	07167
Front Spring Kit.....	133-7145
Canopy Mount Kit, Workman GTX Utility Vehicle with Extended Flatbed	133-7160
MVP Kit 400 Hour	136-6280
Cab Mount Kit, Workman GTX Utility Vehicle with Extended Flatbed	133-7198
Service Hood ASM	133-7209
ROPS Kit	07032
Crated Finishing Kit	07045
Cargo Bed Kit	07046
Bench Seat Base Kit.....	07047
Bucket Seat Base Kit.....	07048
Small Bedrack Mount Grip Kit.....	136-6311
Large Bedrack Mount Grip Kit.....	136-6312
Wireless Hourmeter Kit.....	136-6323
Optional Rear Tire GTX-K500.....	137-2785
Plate-Skid	137-2886-03
Seat Hinge Kit.....	133-7346
Switch-Ignition ASM, Key1	138-3500
Switch-Ignition ASM, Key2	138-3501
Switch-Ignition ASM, Key3	138-3502

Attachments and Accessories (continued)

Switch-Ignition ASM, Key4	138-3503
Switch-Ignition ASM, Key5	138-3504
Glove Box Cover Kit	137-2883
Door Mount Mirror Kit.....	136-1997
Lift Kit.....	07414
Folding Windshield Kit, Workman GTX Utility Vehicle with Canopy	07923
Shim-Limiter	119-0807
Exterior Mirror Kit.....	130-5448
Interior Mirror Kit	130-5449
Beacon Kit	130-5484
Work Light Kit	130-5485
Windshield Washer Fluid Kit, 2015 and after Workman MD/HD Series Utility Vehicle	130-5615
Small Seat Cover.....	131-6690
Wide Angle Mirror Kit.....	133-1009
Wide Angle Mirror Kit	133-1038
Bracket-Mount, Radio.....	133-7111-03
GTX Ball Cage ROPS, Certified.....	07161
Canopy W/ ROPS.....	07169
Canopy Mount Kit, Workman GTX Utility Vehicle with Extended Flatbed	07199

Notes:

Notes:



Count on it.