



Count on it.

Parts Catalog

Greensmaster® 1018

Mower

Model No. 04820—Serial No. 408000000 and Up



Ordering Replacement Parts

To order replacement parts, please supply the part number, the quantity, and the description of each part desired.

Understanding Reference Numbers

Each identified part in an illustration has a reference number. The reference number for a part also appears in the parts list, along with other information about the part.

This catalog uses two special reference number formats, one to indicate parts in a service assembly and another to indicate the quantity of a given part in an illustration.

Service Assembly Reference Numbers

Parts in service assemblies have reference numbers in the form a:b. The a represents the reference number of the entire service assembly and the b represents a sequential number unique to each part within the service assembly.

For example, a wheel assembly might be identified by reference number 6, the tire by 6:1, the valve by 6:2, and the wheel by 6:3. When you order the assembly identified by reference number 6, you receive all parts identified by reference numbers 6:1, 6:2, and 6:3. However, you may also order any part individually. Reference numbers of this type appear in illustration and in parts lists.

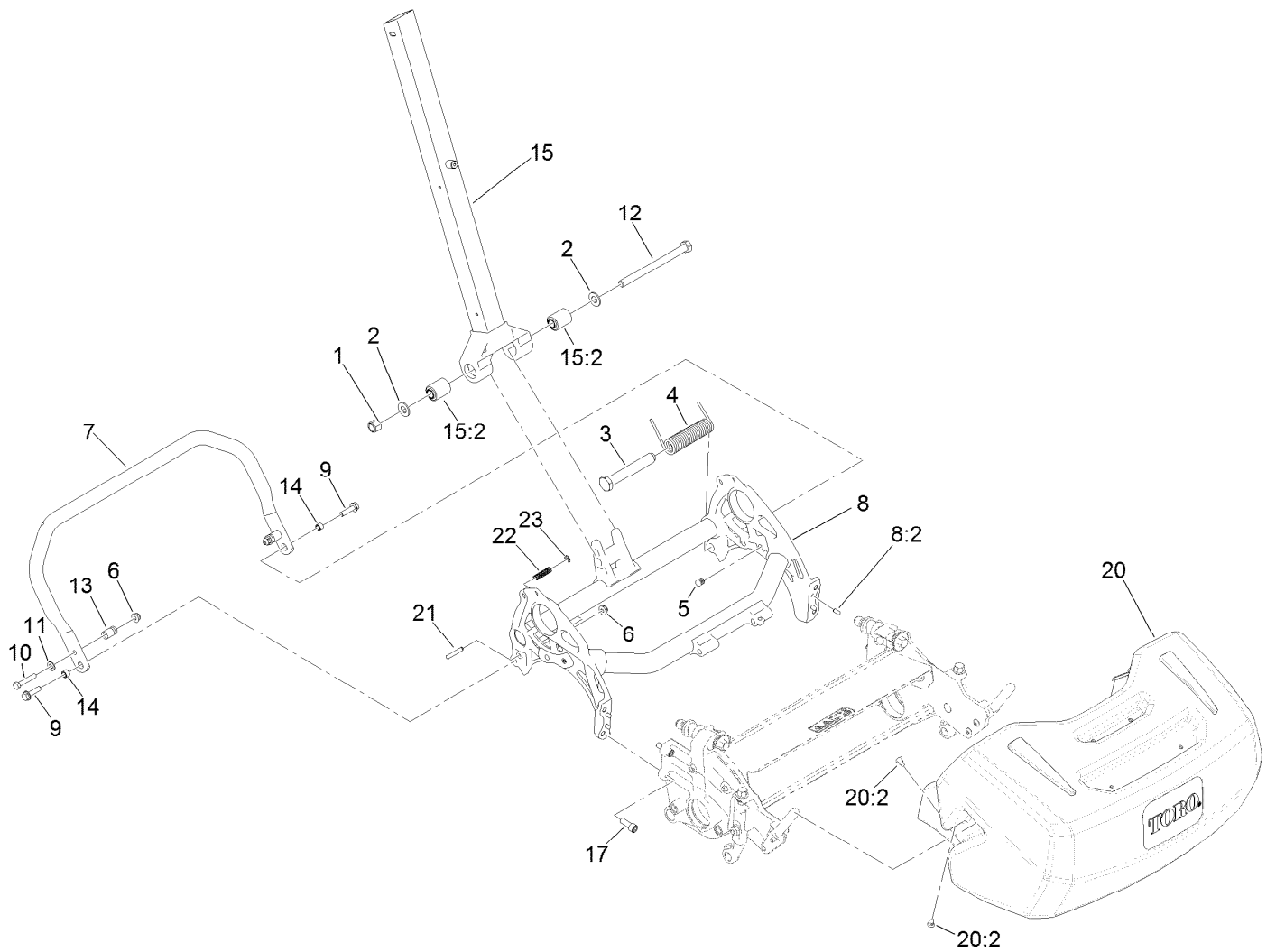
Reference Numbers Indicating Quantity

In an illustration, if a reference number indicates more than one part, the reference number has the form nX y. The n represents the quantity of the part, the X is the multiplication symbol, and the y represents the reference number.

For example, in an illustration, the reference number 2X 37 means that two of the parts identified by reference number 37 are indicated.

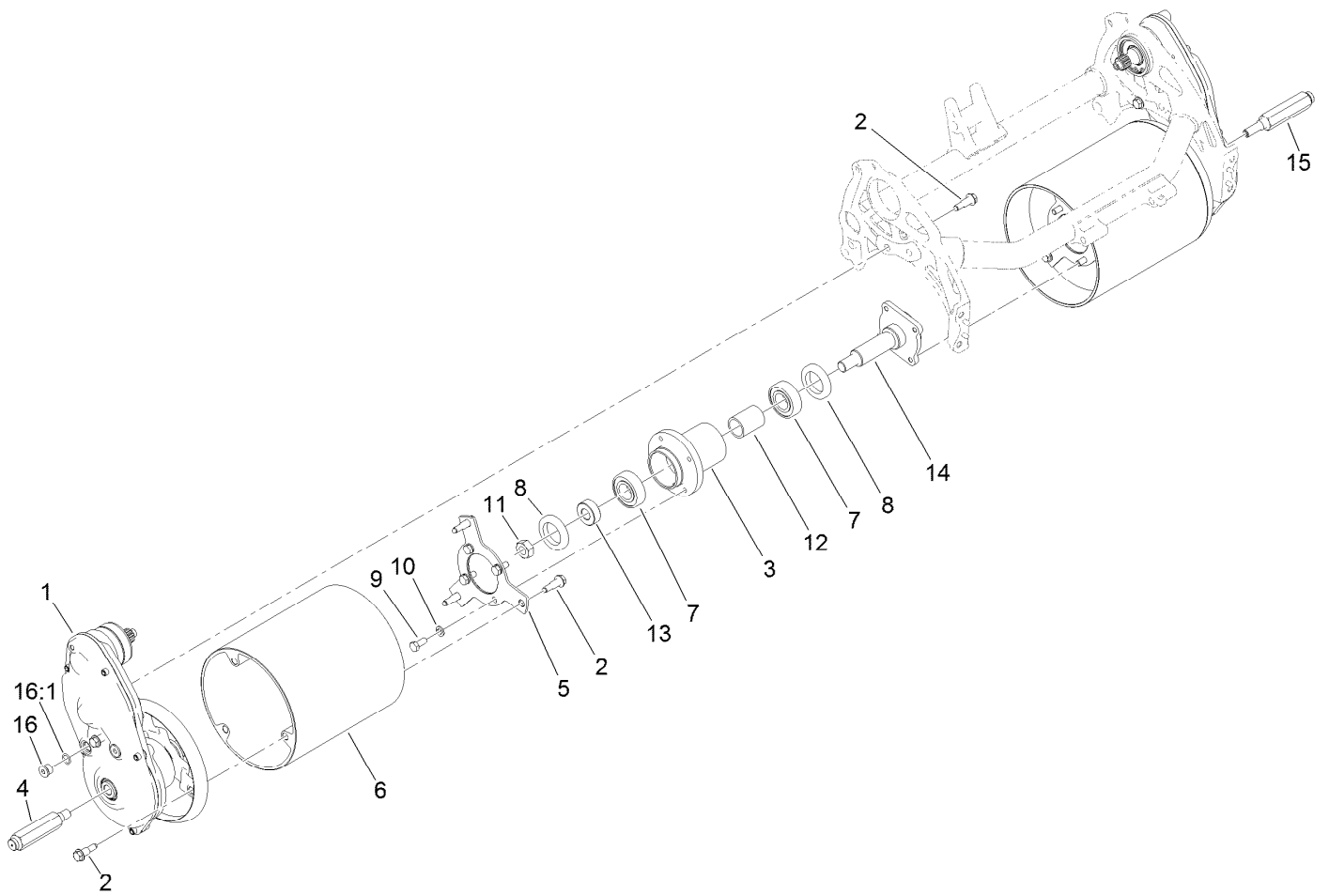
Contents

Frame and Handle Mount Assembly	4
Drum Drive Assembly	5
Drum Drive Gearbox Assembly No. 140-9329	6
Transmission Assembly	7
Transmission Gearbox Assembly No. 140-9324 Transmission Case Assembly	8
Transmission Gearbox Assembly No. 140-9324 Reel Drive Assembly	9
Transmission Gearbox Assembly No. 140-9324 Traction Drive Assembly	10
Differential Assembly No. 132-4555	11
Engine Assembly	12
Engine Assembly No. 138-2142	13
Reel Controls and Covers Assembly	14
Upper Receiver Assembly No. 140-9323	15
Upper Handle Assembly	16
Traction Bail Assembly	17
Miscellaneous Parts Assembly	18
Attachments and Accessories	19



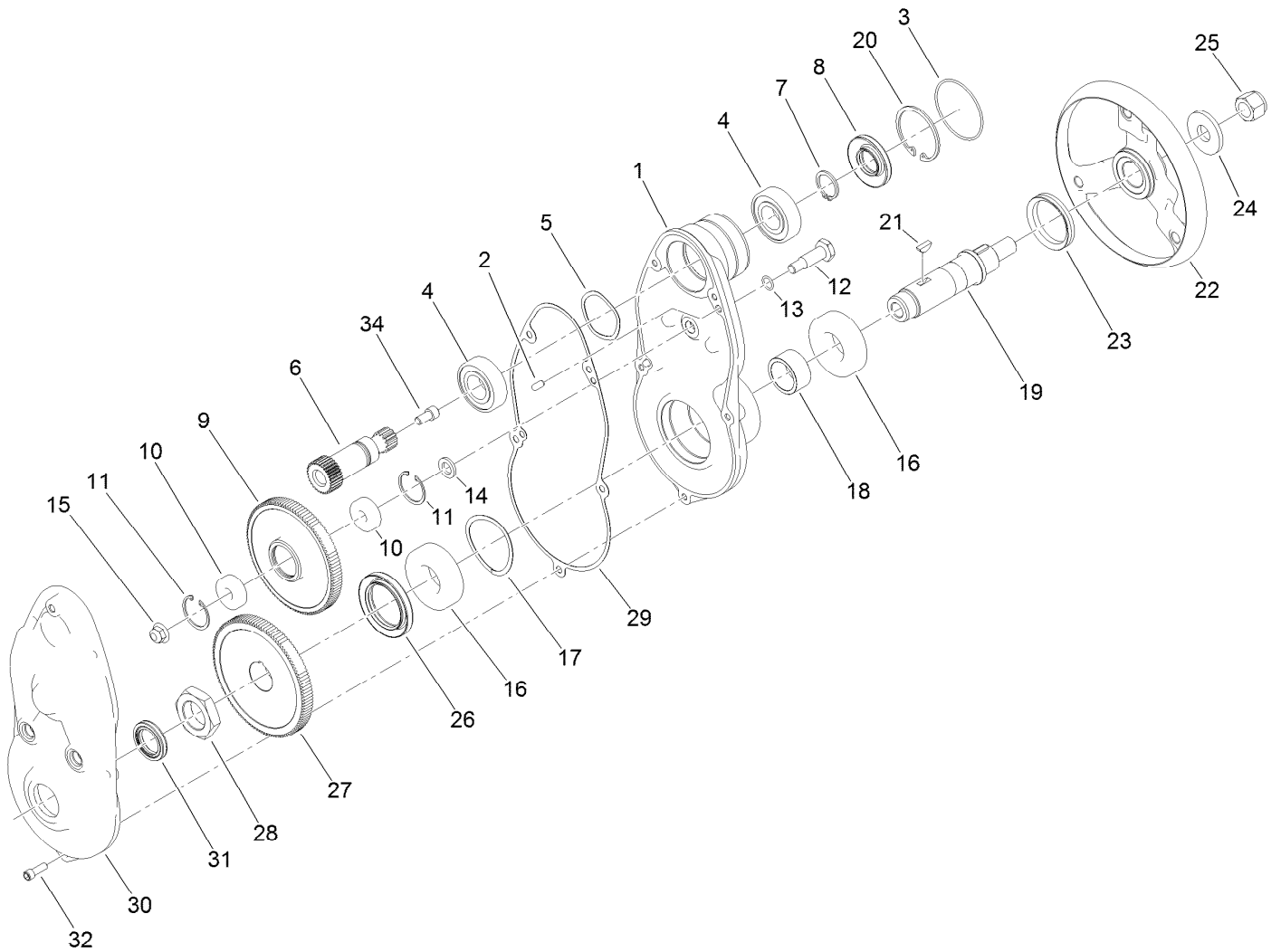
Frame and Handle Mount Assembly

<i>Ref.</i>	<i>Part Number</i>	<i>Qty.</i>	<i>Description</i>	<i>Ref.</i>	<i>Part Number</i>	<i>Qty.</i>	<i>Description</i>
1	3296-23	1	Nut-Lock, NI	12	325-33	1	Screw-HH
2	3256-26	2	Washer-Flat	13	65-7900	2	Retainer-Spring
3	138-1510	1	Pin-Mount, Spring	14	65-7910	2	Spacer
4	138-1459	1	Spring-Torsion, LH	15	137-0292	1	Lower Handle ASM
5	139-4326	2	Plug-Plastic	15:2	138-1469	2	Bushing-Straight
6	119-4041	3	Nut-HF	17	3274-7	4	Screw-HSH
7	138-1576-03	1	Kickstand-18 Inch	20	140-9292	1	Basket-Grass, GR1018
8	138-1646	1	18 Inch Frame ASM	20:2	121-4729	4	Plug
8:2	95-0715	4	Pin-Dowel	21	139-7431	1	Pin-Kickstand, Lock
9	112-6913	2	Screw-HHF	22	73-3450	1	Spring-Compression
10	322-9	2	Screw-HH	23	32151-86	1	E-Ring
11	3256-23	2	Washer-Plain				



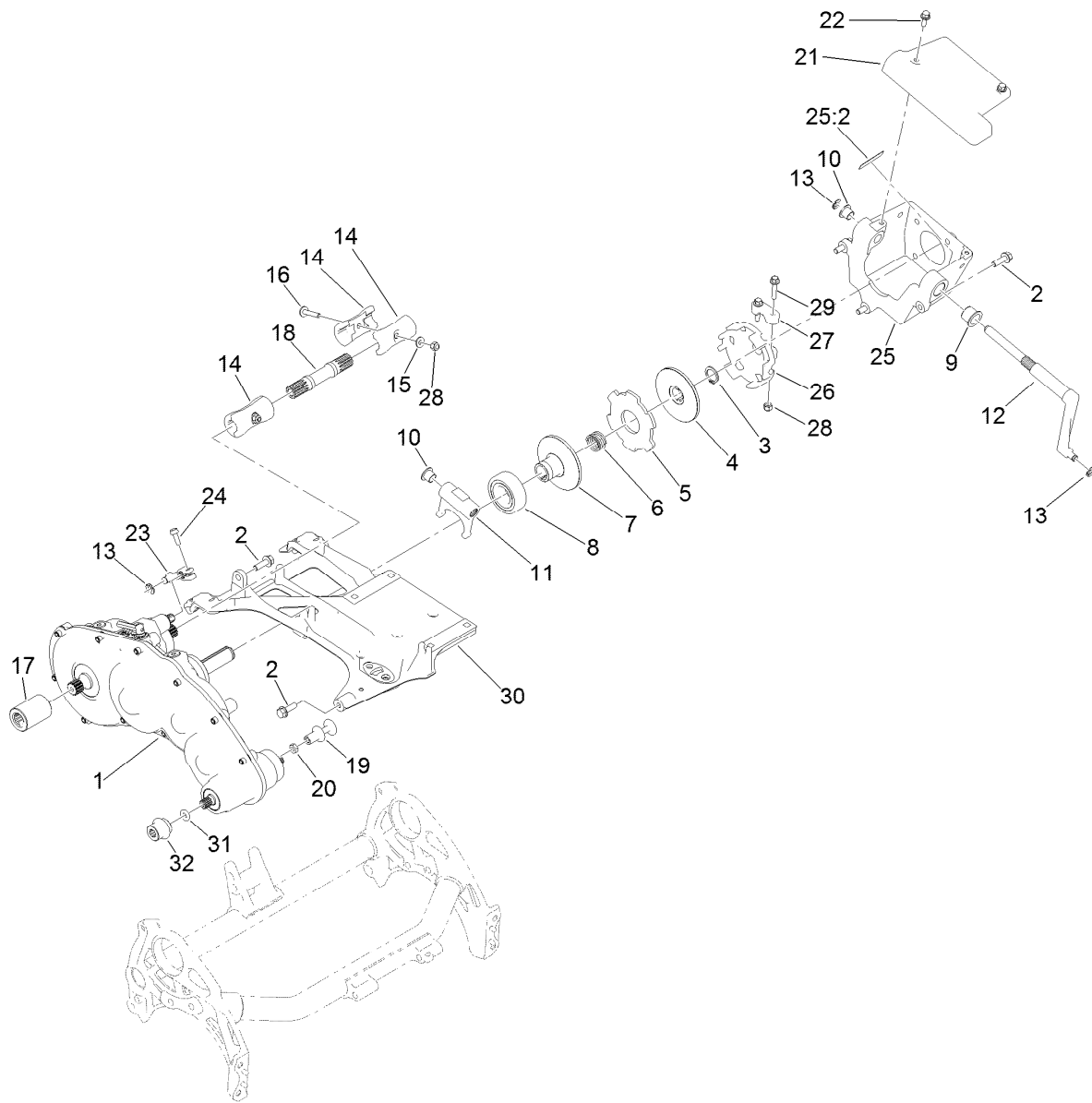
Drum Drive Assembly

<i>Ref.</i>	<i>Part Number</i>	<i>Qty.</i>	<i>Description</i>	<i>Ref.</i>	<i>Part Number</i>	<i>Qty.</i>	<i>Description</i>
1	140-9329	1	Kit-Drum Drive Replacement	9	322-3	8	Screw-HH
2	132-4607	14	Bolt-Shoulder, Flange	10	3253-4	8	Washer-Lock
3	132-6971	1	Hub-Drum	11	3296-33	1	Nut-Lock, NI
4	132-4605	1	Shaft-Hex, RH	12	65-6520	1	Spacer
5	140-9319	2	Plate-Drum, Hub	13	65-6530	1	Spacer
6	138-1527	2	Drum-Traction, 18 Inch	14	94-5850	1	Spindle-Drum
7	251-82	2	Bearing-Ball	15	132-4606	1	Shaft-Hex, LH
8	253-159	2	Seal	16	353-989	4	Plug-Hex, Hollow
				16:1	237-42	1	O-Ring



Drum Drive Gearbox Assembly No. 140-9329

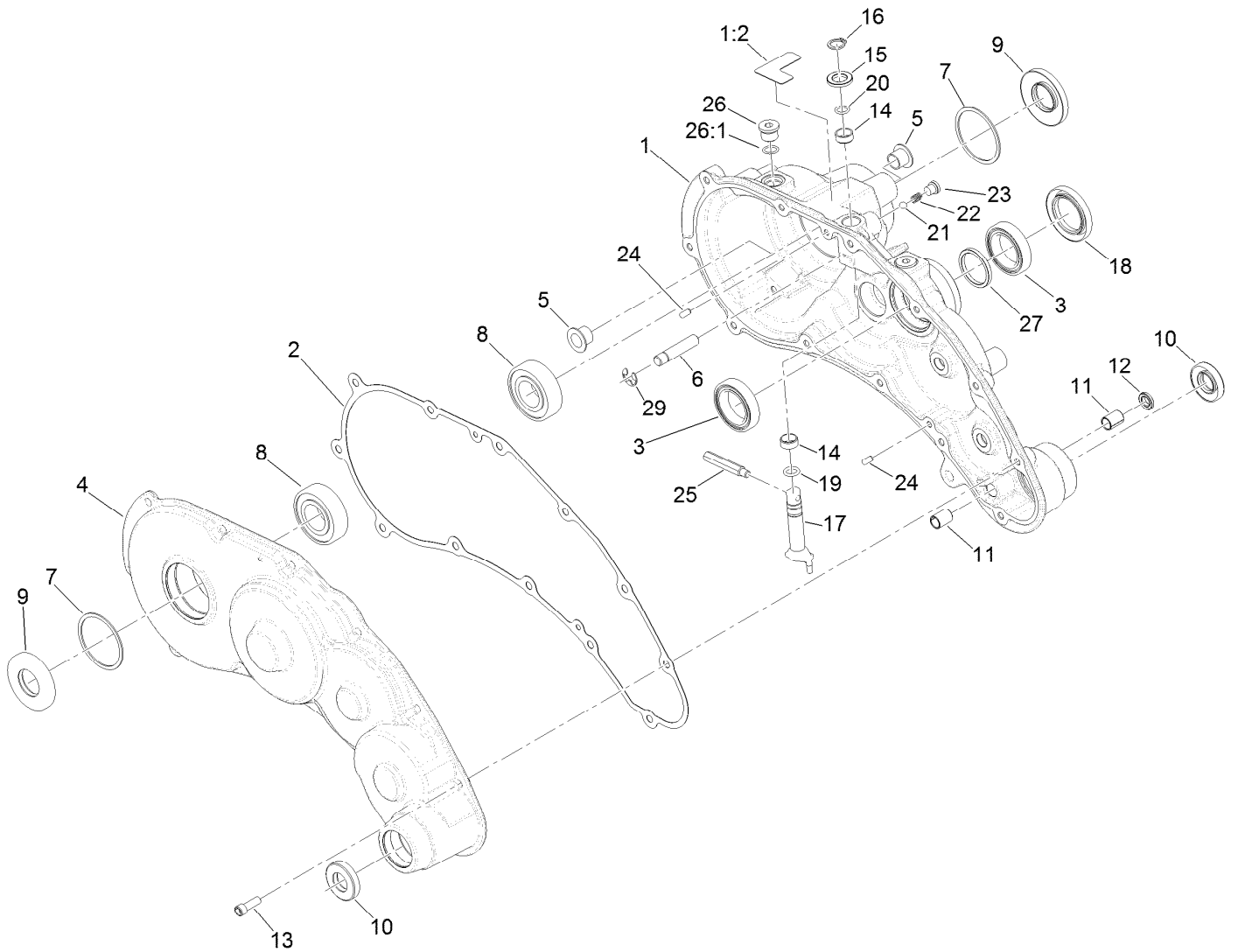
<i>Ref.</i>	<i>Part Number</i>	<i>Qty.</i>	<i>Description</i>	<i>Ref.</i>	<i>Part Number</i>	<i>Qty.</i>	<i>Description</i>
1	137-0282	1	Housing-Drive, Drum	18	132-4568	1	Spacer
2	133-4591	2	Pin-Dowel	19	133-4562	1	Shaft-Drum, Drive
3	133-9082	1	O-Ring	20	138-1480	1	Ring-Retaining, Int (52Mm)
4	251-82	2	Bearing-Ball	21	138-1504	2	Key-Woodruff, 5Mm
5	3290-485	1	Washer-Wave	22	133-9244	1	Hub-Drum, Outer
6	132-4565	1	Gear-Spur, 30T	23	253-161	1	Seal-V-Ring
7	138-1507	1	Ring-Retaining, EXT (25Mm)	24	104-9216	1	Washer-Hardened
8	138-1491	1	Seal-Oil	25	126-3841	1	Nut-Hex, NI
9	137-0274	1	Gear-Spur, 108T	26	138-1490	1	Seal-Oil
10	49-2410	2	Bearing-Ball	27	137-0275	1	Gear-Spur, 114T
11	138-1506	2	Ring-Retaining, Int (32Mm)	28	133-9078	1	Nut-Hex
12	133-4558	1	Pin-Bearing, Short	29	132-4569	1	Gasket-Drive, Drum
13	80-8460	1	O-Ring	30	137-0284	1	Cover-Drive, Drum
14	133-4553	1	Spacer-Bearing	31	133-4559	1	Seal-Oil
15	119-4042	1	Nut-HF, NI	32	140-9233	5	Screw-HSH
16	251-312	2	Bearing-Ball	34	3274-12	1	Screw-HSH
17	115-5258	1	Spring-Wire, Flat	2	353-989	2	Plug-Hex, Hollow
				1	237-42	1	O-Ring



Transmission Assembly

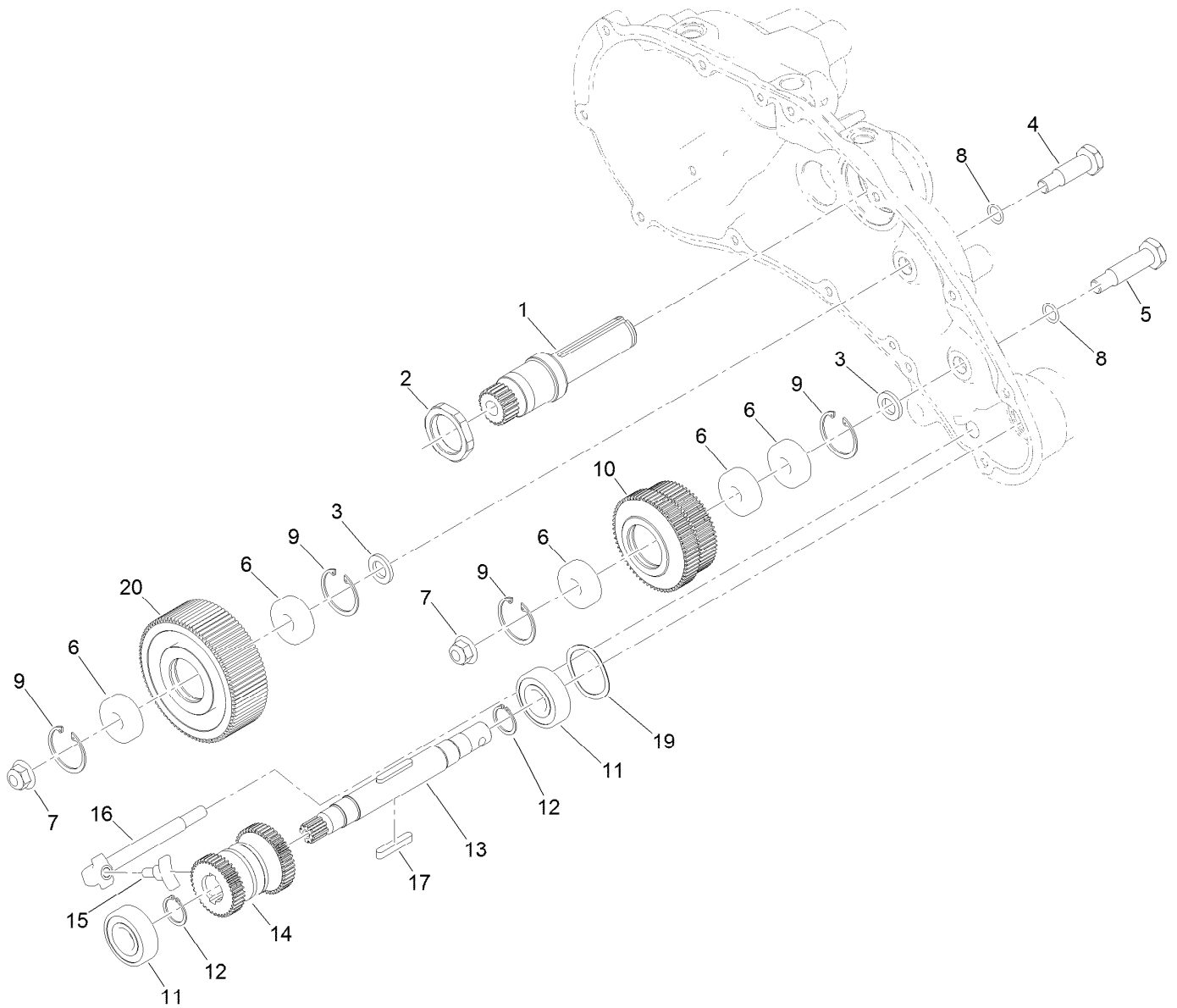
Ref.	Part Number	Qty.	Description
1	140-9324	1	Kit-Transmission Replacement
2	115-5142	5	Screw-HHF
3	32151-33	1	Ring-Retaining, EXT
4	133-9095	1	Disc-Clutch
5	133-9094	1	Plate-Friction
6	133-9123	1	Spring-Compression, Clutch
7	138-1508	1	Disc-Clutch, Slider
8	138-1505	1	Bearing-Sealed, Self Aligning
9	132-4089	1	Bushing
10	125-5239	2	Bushing-Flange
11	138-3548	1	Fork-Clutch
12	138-3549	1	Shaft-Fork
13	32151-47	3	Ring-Retaining
14	133-9100	4	Coupler-Splined, 4 Tooth
15	119-8952	2	Washer
16	126-8232	2	Screw-Truss

Ref.	Part Number	Qty.	Description
17	138-1615	1	Tube-Drive
18	139-4327	1	Shaft-Drive, 18 Inch
19	133-9207	1	Adapter-Slider
20	120-9638	1	Nut-Jam
21	138-5545	1	Cover-Clutch
22	120-9678	2	Screw-HHF
23	133-9117	1	Lever-Brake, Cable
24	131-6150	1	Screw-HWHTF
25	139-4301	1	Bell Housing ASM
25:2	120-9570	1	Decal-Warning
26	138-3542	1	Hub-Clutch, External
27	138-5522	1	Clamp-Hub, Clutch
28	3296-42	4	Nut-Lock, NI
29	127-8639	2	Screw-HHF
30	138-5517	1	Base-Engine
31	139-4357	1	O-Ring
32	139-4358	1	Coupling-Drive, Reel



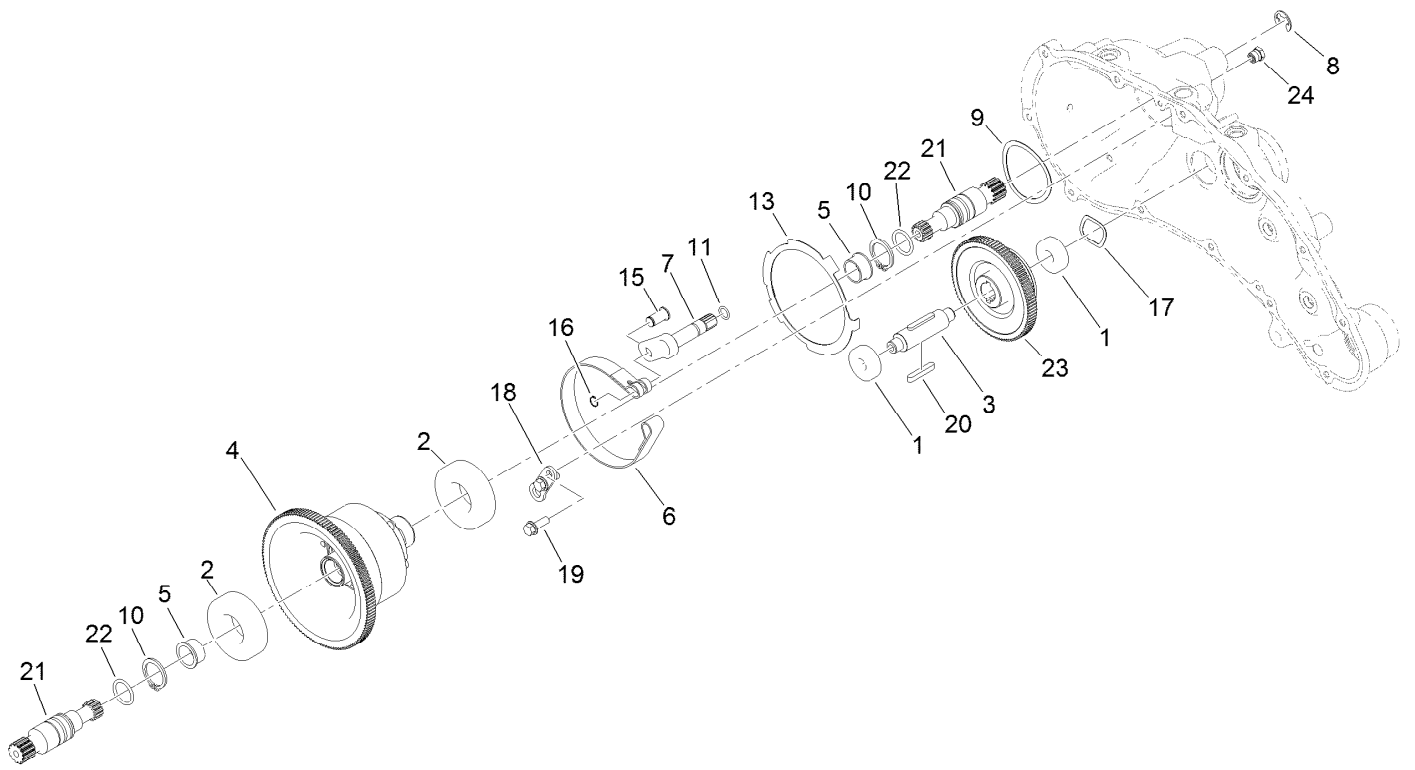
Transmission Gearbox Assembly No. 140-9324 Transmission Case Assembly

<i>Ref.</i>	<i>Part Number</i>	<i>Qty.</i>	<i>Description</i>	<i>Ref.</i>	<i>Part Number</i>	<i>Qty.</i>	<i>Description</i>
1	139-4306	1	Transmission Housing ASM	15	108-5059	1	Spacer-Bushing
1:2	138-1644	1	Decal-Release, Traction	16	32151-61	1	Ring-Retaining
2	132-4551	1	Gasket-Transmission	17	130-6816	1	Shaft-Selector, Traction
3	121-9281	2	Bearing-Ball	18	140-9325	1	Seal-Grease, High Temp
4	138-1603	1	Transmission Cover ASM	19	131-1879	1	O-Ring Seal
5	125-5239	2	Bushing-Flange	20	237-22	1	O-Ring
6	133-9122	1	Pin-Mount, Brake	21	105-2442	1	Ball-Detent
7	32151-92	2	Ring-Retaining	22	105-2443	1	Spring-Detent
8	251-82	2	Bearing-Ball	23	131-1825	1	Plug-ORB
9	133-9075	2	Seal-Oil	24	121-9249	2	Pin-Dowel
10	130-9463	2	Seal-Oil	25	133-9149	1	Pin-Groomer
11	131-3038	2	Bushing-Sleeve	26	353-989	2	Plug-Hex, Hollow
12	131-3126	1	Seal-Oil	26:1	237-42	1	O-Ring
13	140-9233	12	Screw-HSH	27	138-1496	1	Spacer
14	121-4738	2	Bushing-Straight	29	105-7004	1	E-Ring



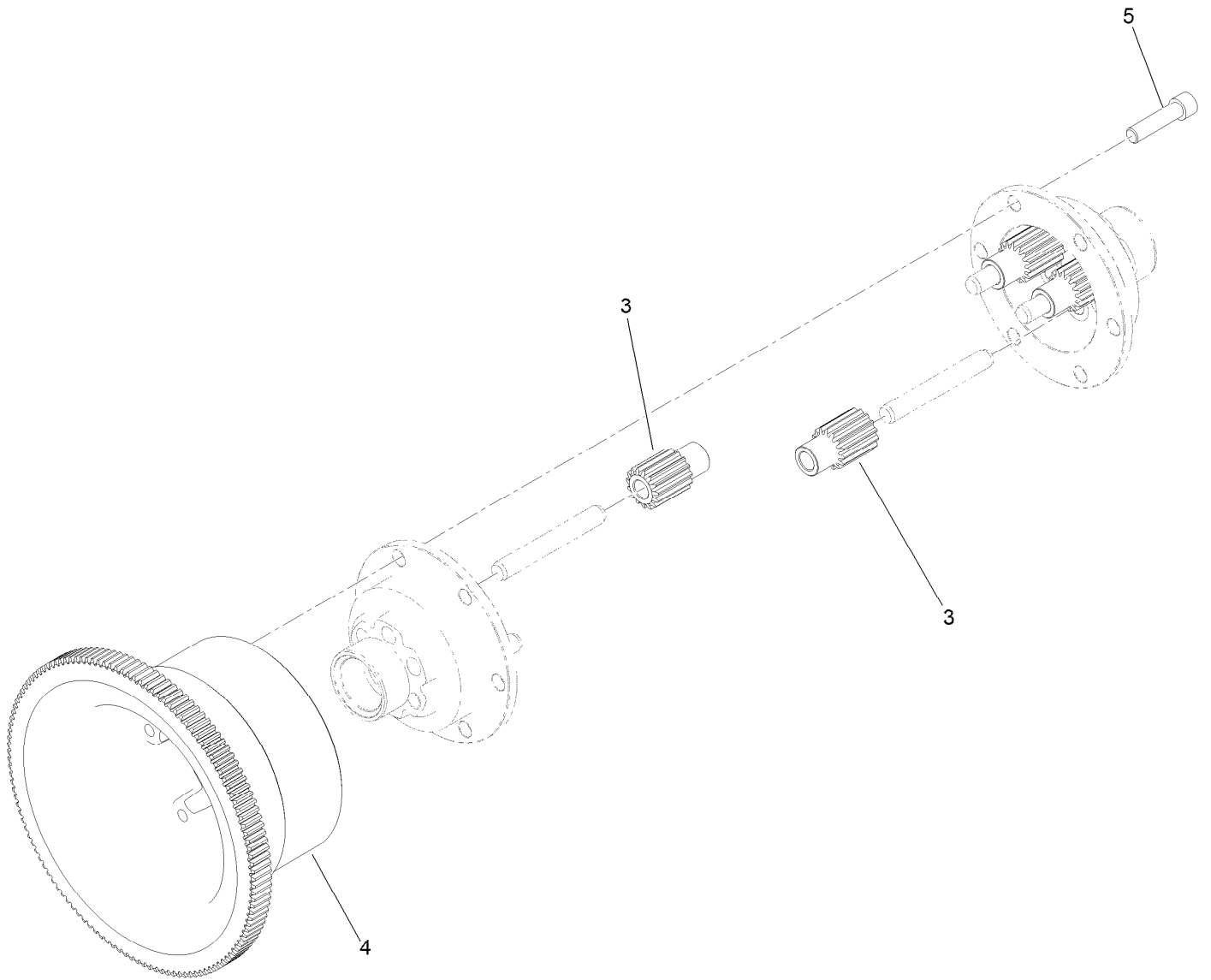
Transmission Gearbox Assembly No. 140-9324 Reel Drive Assembly

<i>Ref.</i>	<i>Part Number</i>	<i>Qty.</i>	<i>Description</i>	<i>Ref.</i>	<i>Part Number</i>	<i>Qty.</i>	<i>Description</i>
1	138-1509	1	Shaft-Input, 22T	11	38-7820	2	Bearing-Ball
2	138-1495	1	Nut-Lock, Thin	12	138-1629	2	Ring-Retaining, EXT (17Mm)
3	133-4553	2	Spacer-Bearing	13	139-4359	1	Shaft-Drive, Reel
4	133-4558	1	Pin-Bearing, Short	14	130-6834	1	Gear-Spur, Slider
5	133-4557	1	Pin-Bearing, Long	15	133-9120	1	Shoe-Clutch, Reel
6	49-2410	5	Bearing-Ball	16	133-9121	1	Actuator-Clutch, Reel
7	104-8301	2	Nut-HF, NI	17	103-2739	2	Key
8	80-8460	2	O-Ring	19	131-3170	1	Spring-Wave
9	138-1506	4	Ring-Retaining, Int (32Mm)	20	137-0273	1	Gear-Spur, 85T
10	137-0272	1	Gear-Spur, 60T/65T				



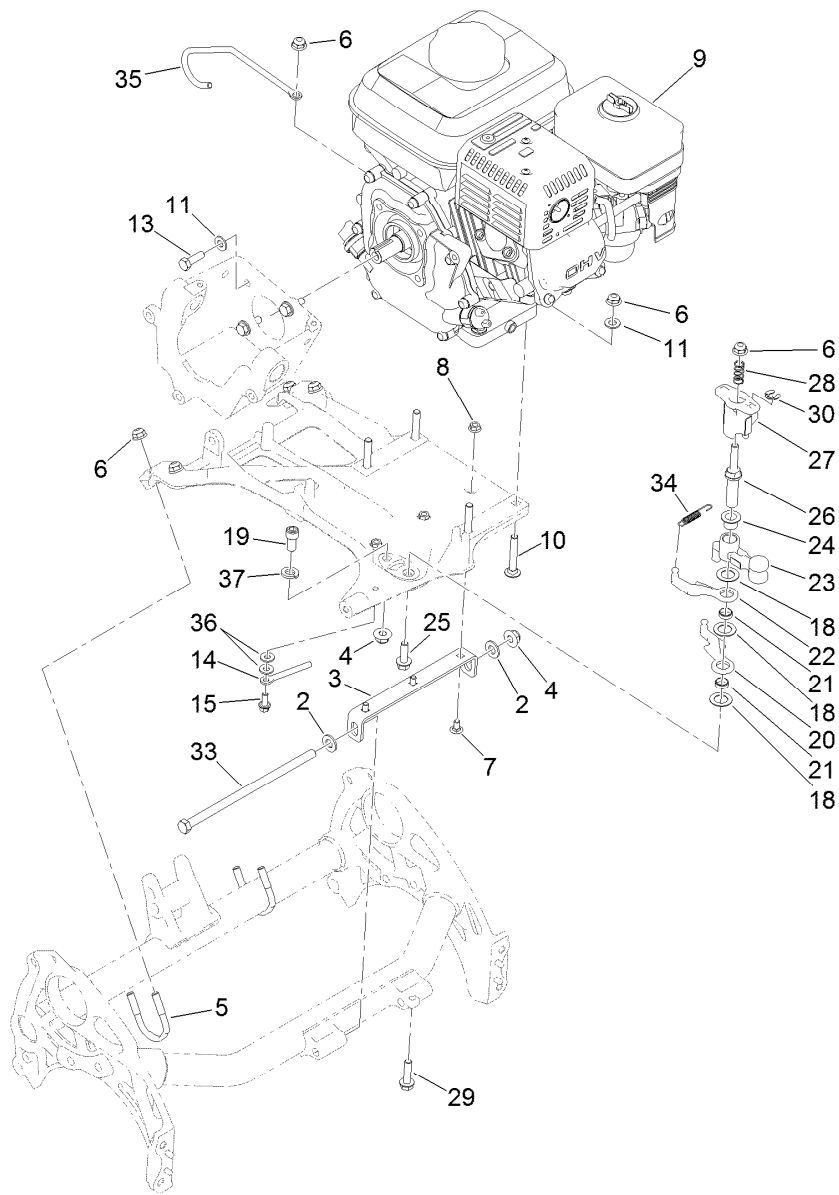
Transmission Gearbox Assembly No. 140-9324 Traction Drive Assembly

<i>Ref.</i>	<i>Part Number</i>	<i>Qty.</i>	<i>Description</i>	<i>Ref.</i>	<i>Part Number</i>	<i>Qty.</i>	<i>Description</i>
1	49-2410	2	Bearing-Ball	13	140-9236	1	Plate-Retainer, Brake
2	251-312	2	Bearing-Ball	15	120-9687	1	Pin-Clevis, Brake
3	137-0236	1	Shaft-Slider, Neutral	16	32120-46	1	Ring-Retaining
4	132-4555	1	Differential ASM	17	112-5163	1	Washer-Wave
5	256-252	2	Bearing-Flange	18	140-9279	1	Plate-Retainer, Pin
6	140-9277	1	Band-Brake	19	119-1138	2	Screw-HWH
7	132-4550	1	Lever-Brake	20	103-2739	2	Key
8	32120-47	1	Ring-Retaining, External	21	130-6841	2	Shaft-Differential
9	115-5258	1	Spring-Wire, Flat	22	237-159	2	O-Ring
10	32151-36	2	Ring-Retaining	23	137-0276	1	Gear-Spur, Neutral (93T)
11	237-22	1	O-Ring	24	133-4589	1	Fitting-Plug



Differential Assembly No. 132-4555

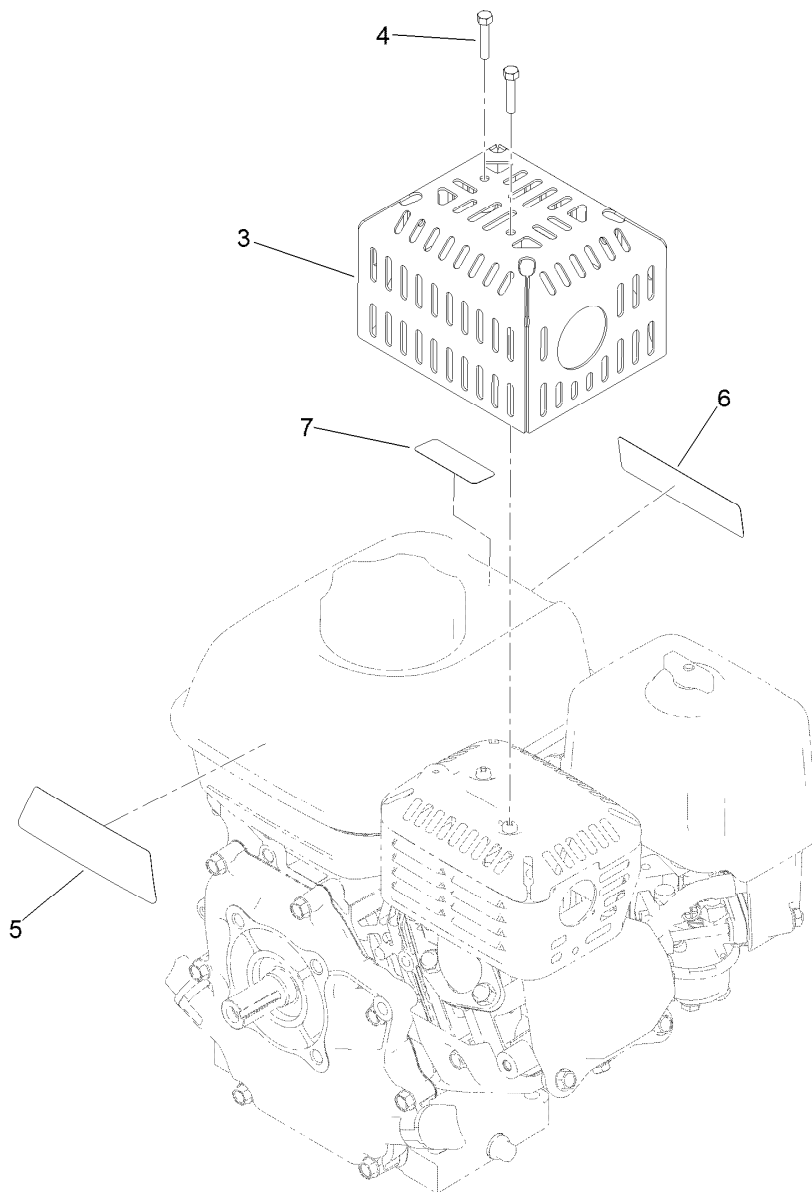
<i>Ref.</i>	<i>Part Number</i>	<i>Qty.</i>	<i>Description</i>
3	130-6840	6	Gear-Spur, Differential
4	137-0294	1	Gear-Differential, 127T
5	3274-26	6	Screw-HSH



Engine Assembly

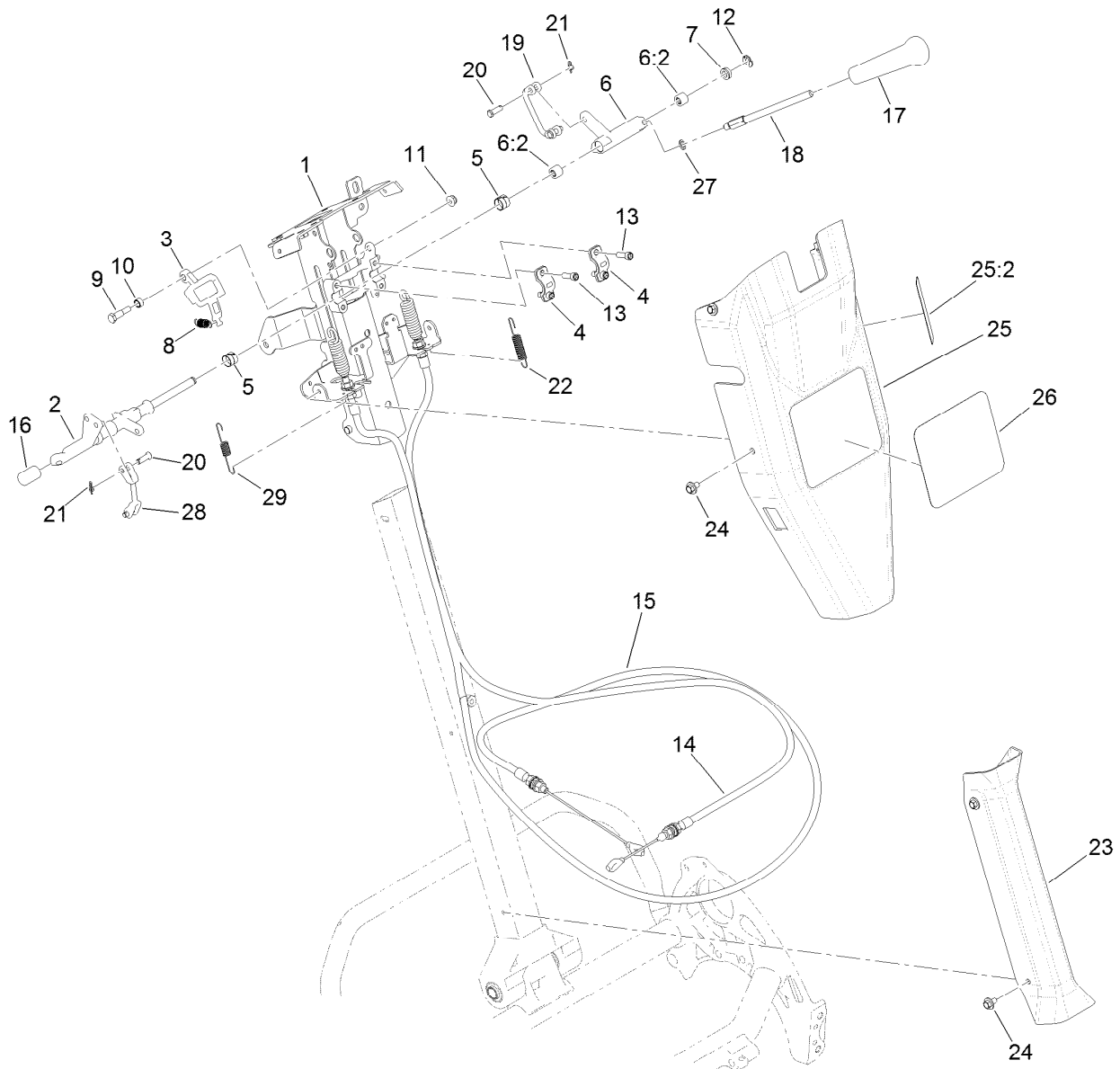
Ref.	Part Number	Qty.	Description	Ref.	Part Number	Qty.	Description
2	3256-24	2	Washer-Flat	20	138-1523	1	Reel Lever
3	138-1623-01	1	Bracket-Mount, Engine	21	133-9226	2	Bushing-Straight
4	119-4042	2	Nut-HF, NI	22	138-1524	1	Lever-Reel
5	137-0301	2	Clamp-Tube	23	133-9206	1	Bellcrank-Reel
6	119-4041	9	Nut-HF	24	125-5239	1	Bushing-Flange
7	116-5611	3	Bolt-Carriage 1/4-20 X 1/2 Short Neck	25	115-5142	1	Screw-HHF
8	32128-10	3	Nut-Lock, HHF	26	137-0298	1	Shaft-Selector, Reel
9	138-2142	1	Engine ASM ●	27	137-0299	1	Hub-Selector, Reel
10	3230-6	4	Bolt-CARR	28	117-1031	1	Spring-Compression
11	3256-23	8	Washer-Plain	29	112-6913	1	Screw-HHF
13	131-5919	4	Screw-HH, Patch	30	32151-47	1	Ring-Retaining
14	138-1591	1	Guide-Cable	33	323-30	1	Screw-HH
15	3234-33	1	Screw-HHF	34	119-4609	1	Spring-Extension
18	139-7362	3	Washer-Poly	35	139-4309	1	Guide-Cable
19	131-8573	1	Screw-HSH	36	3256-22	2	Washer-Flat
				37	3253-21	1	Washer-Lock

● Obtain parts from www.honda-engines.com



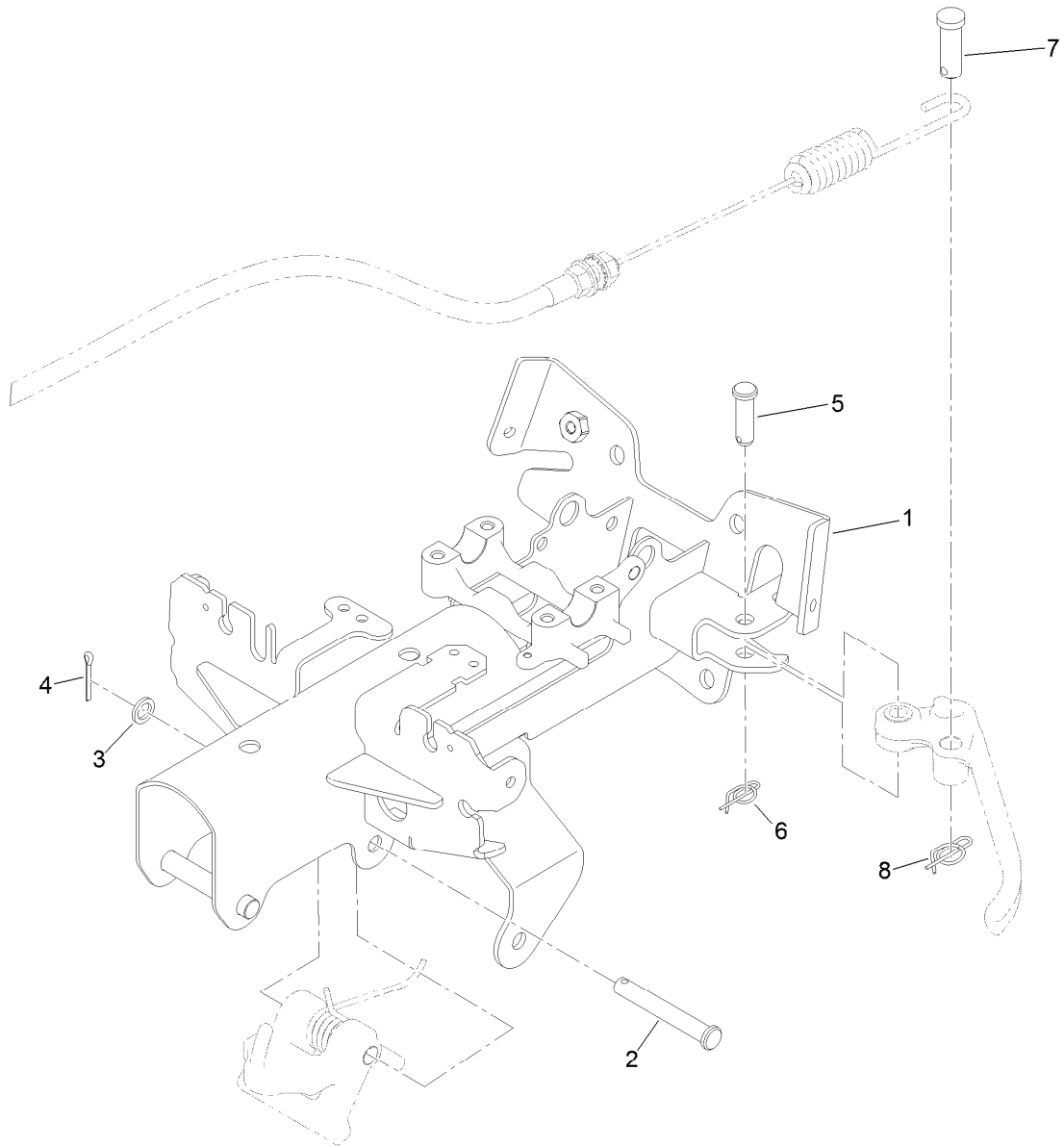
Engine Assembly No. 138-2142

<i>Ref.</i>	<i>Part Number</i>	<i>Qty.</i>	<i>Description</i>
3	138-2128-03	1	Guard-Muffler
4	87-5150	2	Screw-HH
5	138-2138	1	Decal-Warning, Engine
6	133-8062	1	Decal-Arrestor, Spark
7	130-8322	1	Decal-Warning, Ethanol



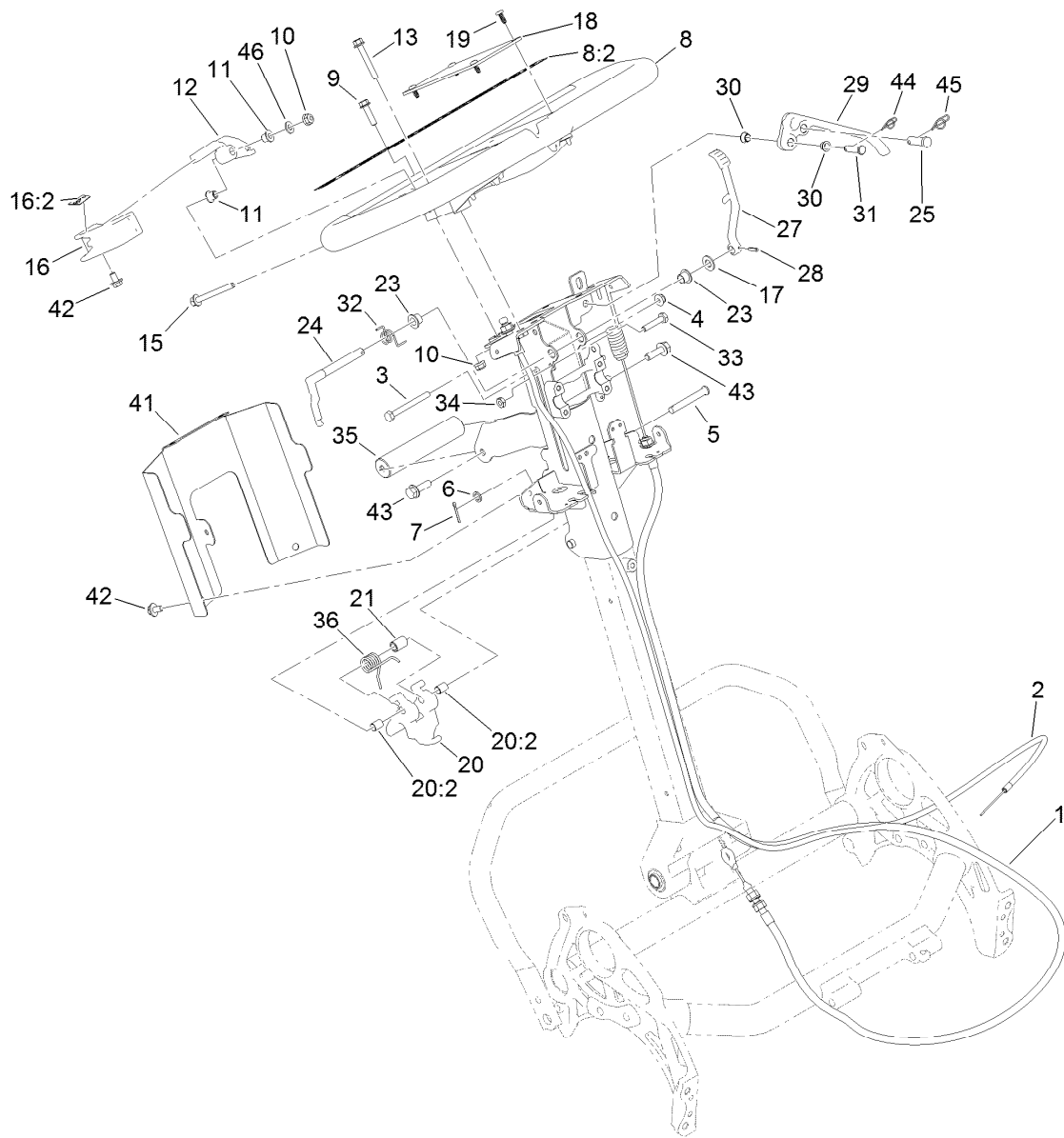
Reel Controls and Covers Assembly

Ref.	Part Number	Qty.	Description	Ref.	Part Number	Qty.	Description
1	140-9323	1	Kit- Upper Receiver Replacement	16	138-1641	1	Stockcap
2	137-0264	1	Shaft-Main, Controls	17	104-9760	1	Knob-Black
3	137-0266	1	Cam-Latch, Upper	18	137-0190	1	Rod-Handle, Reel Lever
4	138-1513	2	Clamp-Shaft, Control	19	137-0232	1	Connector-Clevis
5	137-0263	2	Bushing-Split	20	1-808265	4	Pin-Clevis
6	137-0312	1	Reel Lever ASM	21	138-1587	2	Clip-Pin, Cotter
6:2	138-1637	2	Bearing-Needle	22	138-1536	1	Spring-Extension
7	131-3187	1	Seal-V-Ring	23	138-1479	1	Cover-Handle, Lower
8	140-3410	1	Spring-Extension	24	46-6810	8	Screw And Washer ASM
9	137-0313	1	Screw-Shoulder	25	139-4304	1	Control Upper Cover ASM
10	137-0346	1	Spacer-Latch, Bail	25:2	138-1589	1	Decal-Reel Drive Engagement
11	104-7201	1	Nut-HF	26	138-1582	1	Decal-Greensmaster 1018
12	32151-47	1	Ring-Retaining	27	75-5470	1	Spacer-Bearing
13	3274-8	4	Screw-HSH	28	138-1592	1	Connector-Clevis
14	137-0180	1	Cable-Clutch	29	140-3417	1	Spring-Extension
15	137-0181	1	Cable-Traction				



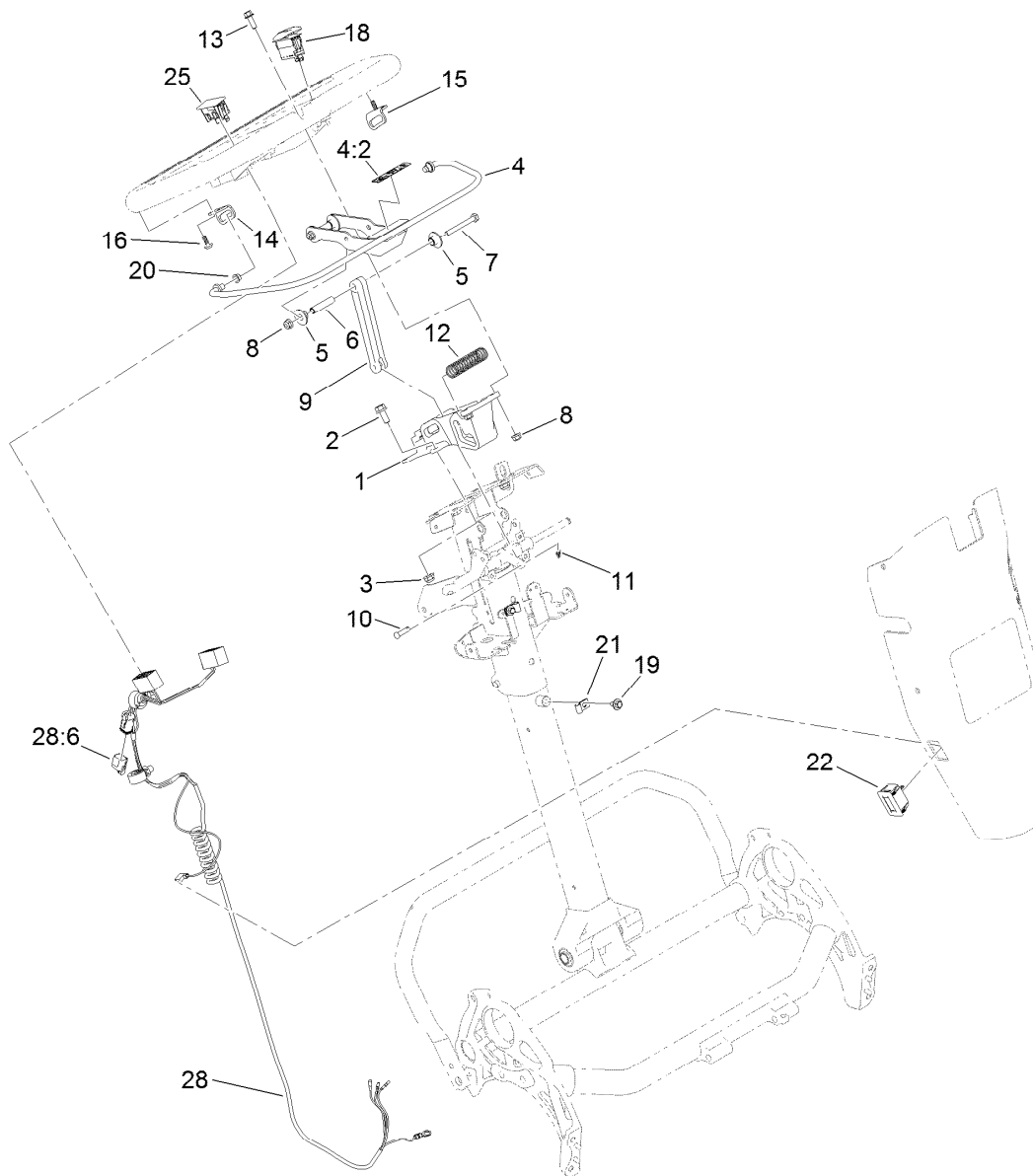
Upper Receiver Assembly No. 140-9323

<i>Ref.</i>	<i>Part Number</i>	<i>Qty.</i>	<i>Description</i>
1	140-9306-0P	1	Upper Receiver, Welded
2	110-0618	1	Pin-Clevis
3	75-5470	1	Spacer-Bearing
4	3272-6	1	Pin-Cotter
5	283-61	1	Pin-Yoke
6	116-6639	1	Pin-Cotter, Locking
7	1-808285	1	Pin-Clevis
8	140-9312	1	Pin-Cotter, Locking



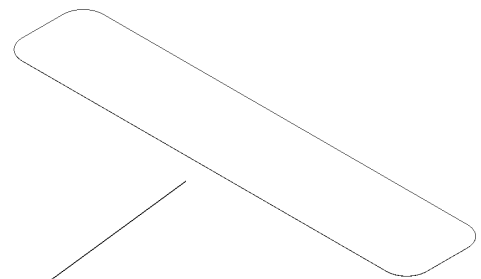
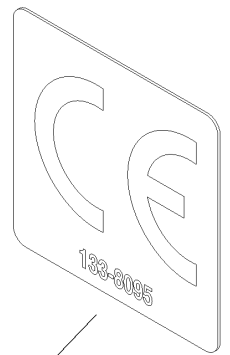
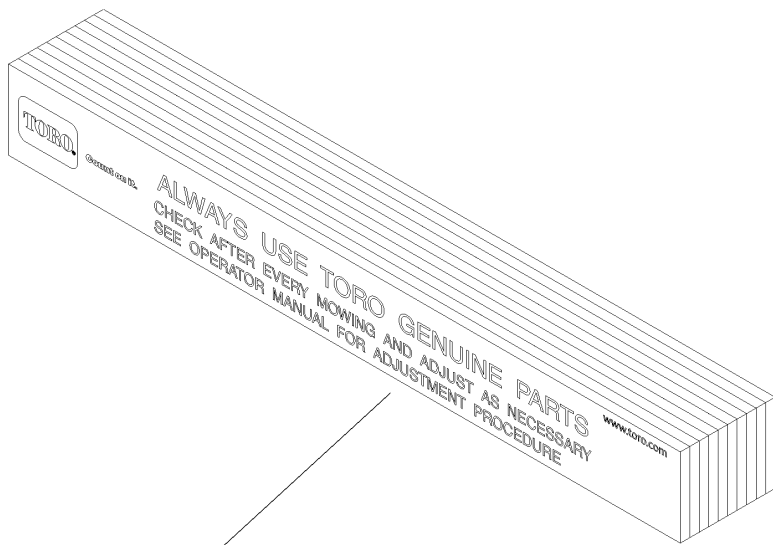
Upper Handle Assembly

Ref.	Part Number	Qty.	Description	Ref.	Part Number	Qty.	Description
1	140-9318	1	Cable ASM, Brake	20:2	137-0308	2	Bushing-Igus
2	137-0182	1	Cable-Throttle	21	137-0318	1	Spacer-Spring
3	321-15	1	Screw-HH	23	138-1514	2	Bushing-Flange
4	104-7201	1	Nut-HF	24	138-1573	1	Latch-Brake
5	110-0618	1	Pin-Clevis	25	1-808285	1	Pin-Clevis
6	75-5470	1	Spacer-Bearing	27	140-3377	1	Lever-Lock, Brake
7	3272-6	1	Pin-Cotter	28	32121-73	1	Pin-Roll
8	138-1645	1	Handle ASM	29	140-9298	1	Lever-Brake
8:2	138-5532	1	Decal-Warning, General	30	138-5538	2	Bushing-Flange
9	120-4654	2	Screw-HHF	31	283-61	1	Pin-Yoke
10	119-4040	3	Nut-Flange, NI	32	138-1518	1	Spring-Brake, Torsion
11	138-3538	2	Bushing-Flange	33	114-0282	1	Screw-HH
12	138-1636	1	Arm-Throttle	34	120-9695	1	Nut-Jam
13	138-5527	1	Screw-HHF	35	138-1535	1	Handle-Assist, Lift
15	140-9317	1	Screw-HHF,Lock	36	138-1481	1	Spring-Handle, Torsion
16	139-4303	1	Throttle Lever ASM	41	138-5530-03	1	Cover-Bottom, Controls
16:2	138-5534	1	Decal-Throttle	42	46-6810	3	Screw And Washer ASM
17	33095-00	1	Washer-Flat	43	115-5142	2	Screw-HHF
18	138-5514	1	Plate-Notepad, Handle	44	116-6639	1	Pin-Cotter, Locking
19	127-6843	4	Screw-Plastite, Torx Pan	45	140-9312	1	Pin-Cotter, Locking
20	137-0317	1	Handle Adjuster ASM	46	139-1323	1	Washer-Spcl



Traction Bail Assembly

<i>Ref.</i>	<i>Part Number</i>	<i>Qty.</i>	<i>Description</i>	<i>Ref.</i>	<i>Part Number</i>	<i>Qty.</i>	<i>Description</i>
1	138-5524	1	Mount-Handle	13	120-9678	2	Screw-HHF
2	3234-47	2	Screw-HHF	14	138-3539	1	Bracket-Bail, RH
3	119-4041	2	Nut-HF	15	138-3540	1	Bracket-Bail, LH
4	139-4302	1	Clutch Bail ASM	16	138-5775	2	Screw-Delta Point
4:2	138-5533	1	Decal-Bail, Traction	18	122-1497	1	Switch-Rocker, On-None-Off
5	138-3466	4	Bushing-Flange	19	46-6810	2	Screw And Washer ASM
6	138-3465	2	Spacer-Tube	20	138-5538	2	Bushing-Flange
7	321-18	2	Screw-HH	21	2412-91	2	Clamp
8	119-4040	4	Nut-Flange, NI	22	119-1347	1	Meter-Hour
9	138-5515	1	Link-Bail, Clutch	25	119-7791	1	Plug-Hole, Carling
10	353-322	1	Pin-Clevis	28	122-1416	1	Harness-Wire
11	138-1587	1	Clip-Pin, Cotter	28:6	32180-091	1	Cap-Dust, 2 Way
12	138-3468	1	Spring-Compression				



Miscellaneous Parts Assembly

<i>Ref.</i>	<i>Part Number</i>	<i>Qty.</i>	<i>Description</i>
1	125-5610	1	Paper-Reel, Toro (10 Pack)
2	140-5531	1	Shim-Toro Reel (.002In)
8	133-8095	1	Decal-CE

Attachments and Accessories

For 04820 Greensmaster 1018 Mower

Product Name	Model/Part
18in Soft Grooming Brush.....	04268
18in Stiff Grooming Brush.....	04269
11-Blade 18in Fixed EDGESERIES Cutting Unit.....	04823
14-Blade 18in Fixed EDGESERIES Cutting Unit.....	04824
18in Twin Tip Groomer Reel.....	04801
Extended Narrow Wiehle Roller Asm (18 Inch).....	04148
Interlace Narrow Wiehle Roller Asm (18 Inch).....	04804
Full Front Roller Asm (18 Inch).....	04814
Wiehle Roller ASM, 18 Inch.....	140-3362
Roller ASM, Wide Wiehle.....	140-3441
Front Scraper Kit for Wide Wiehle Roller.....	120-9616
Front Scraper Kit for Full Roller.....	120-9617
Front Brush Kit for Wide Wiehle Roller.....	120-9622
Front Brush Kit for Full Roller.....	120-9623
Interlaced Roller Scraper Asm (18 Inch).....	139-7411
Interlaced Roller Scraper Brush Asm (18 Inch).....	139-7412
Universal Groomer Drive.....	04707
18in Soft Grooming Brush Kit.....	127-1545
18in Stiff Grooming Brush Kit.....	127-1546
Toro Reel Paper (10 Pack).....	125-5610
Shim-TORO Reel (.002in).....	140-5531
Premium Engine Oil 10w30 (55 Gallon Drum).....	121-6392
Premium Engine Oil 10w30 (5 Gallon Pail).....	121-6393
Roller Extension Kit.....	115-7361
Access Backlap Kit.....	139-4342
Extended HOC Arm.....	99-4286
Angle Indicator.....	131-6828
Angle Indicator Mount.....	131-6829
Bedbar-18in.....	138-1520-01
Bedknife-Microcut, Extended.....	110-2300
Bedknife-Low Cut.....	110-2301
Bedknife-Edgemax, Microcut.....	117-1530
Bedknife-EdgeMax, Tournament.....	117-1532
Bedknife-EdgeMax, Microcut Short.....	139-4318
Bedknife-EdgeMax, Tournament Short.....	139-4319
Bedknife-Tournament.....	98-7260
Bedknife-Microcut.....	98-7261
Blade-Groomer, Universal Harden Blade (Thin).....	132-4626
Wheel Kit.....	04123
Light Kit (2019+).....	04135
Push Broom Kit, Walk Greensmower (2019+).....	04136
Wireless Hour Meter Kit.....	139-4369
MVP Kit-Cutting Unit Re-Build.....	121-2637
Grease-Synthetic.....	136-8595
Turf Evaluator.....	04399
Height-of-Cut Bar.....	94-9010

Attachments and Accessories (continued)

Trans Pro 80 Tow-Behind Trailer.....	04238
Flat Ramp	04245
Rail Ramp Kit (Update).....	04247
Trans Pro 100 Tow-Behind Trailer.....	04240
18in Rail Conversion Kit.....	110-7345
Rail Ramp Kit TP100	138-5011
Rod Replacement Kit, Greensmaster 1018 Series Traction Unit with Trans Pro 100 Tow-Behind Trailer	139-6470
Retention Straps Kit.....	139-6477

Notes:

Notes:

Notes:



Count on it.