



Count on it.

Parts Catalog

Pro Force®

Debris Blower

Model No. 44553—Serial No. 407000000 and Up



Ordering Replacement Parts

To order replacement parts, please supply the part number, the quantity, and the description of each part desired.

Understanding Reference Numbers

Each identified part in an illustration has a reference number. The reference number for a part also appears in the parts list, along with other information about the part.

This catalog uses two special reference number formats, one to indicate parts in a service assembly and another to indicate the quantity of a given part in an illustration.

Service Assembly Reference Numbers

Parts in service assemblies have reference numbers in the form a:b. The a represents the reference number of the entire service assembly and the b represents a sequential number unique to each part within the service assembly.

For example, a wheel assembly might be identified by reference number 6, the tire by 6:1, the valve by 6:2, and the wheel by 6:3. When you order the assembly identified by reference number 6, you receive all parts identified by reference numbers 6:1, 6:2, and 6:3. However, you may also order any part individually. Reference numbers of this type appear in illustration and in parts lists.

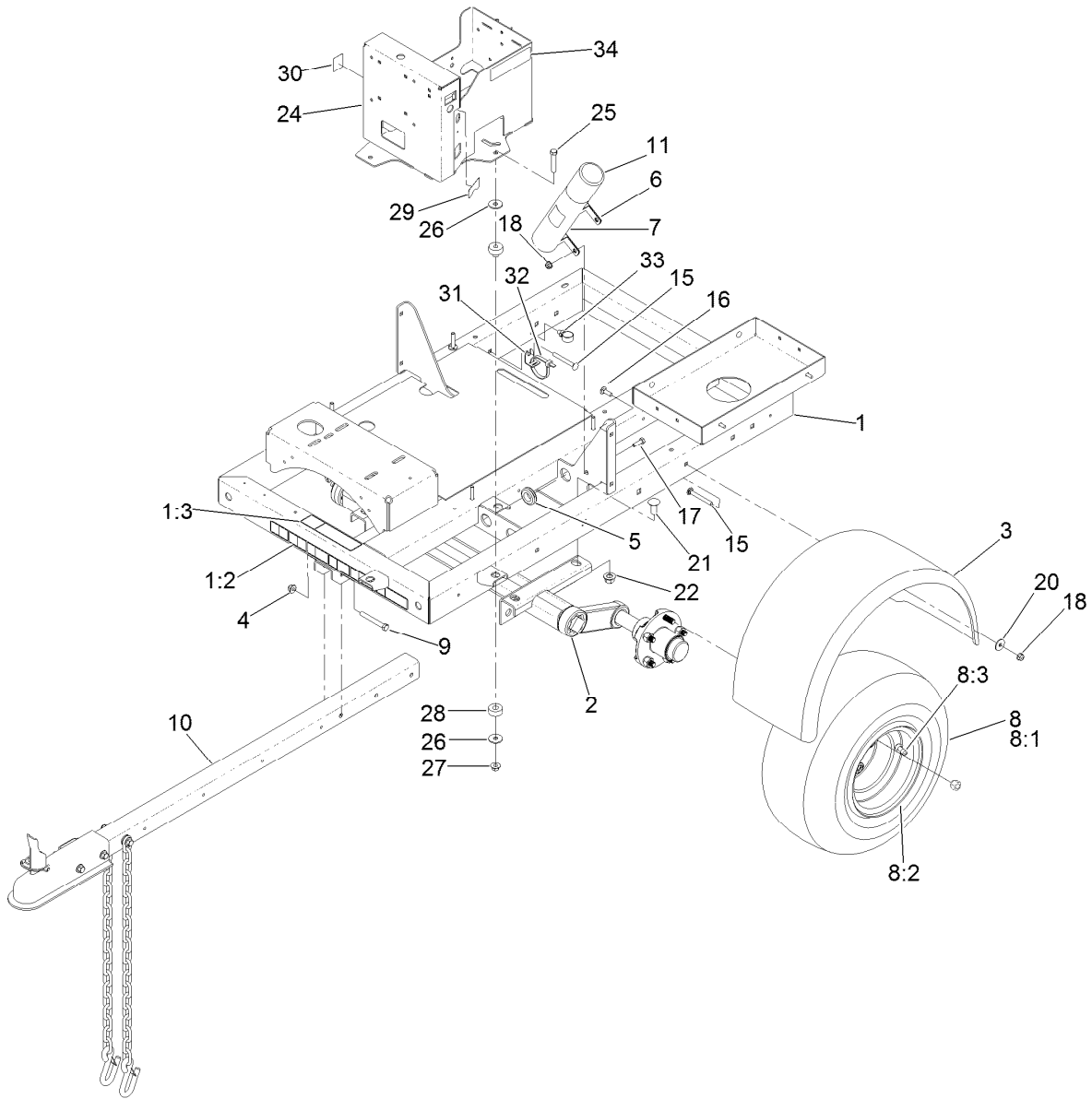
Reference Numbers Indicating Quantity

In an illustration, if a reference number indicates more than one part, the reference number has the form nX y. The n represents the quantity of the part, the X is the multiplication symbol, and the y represents the reference number.

For example, in an illustration, the reference number 2X 37 means that two of the parts identified by reference number 37 are indicated.

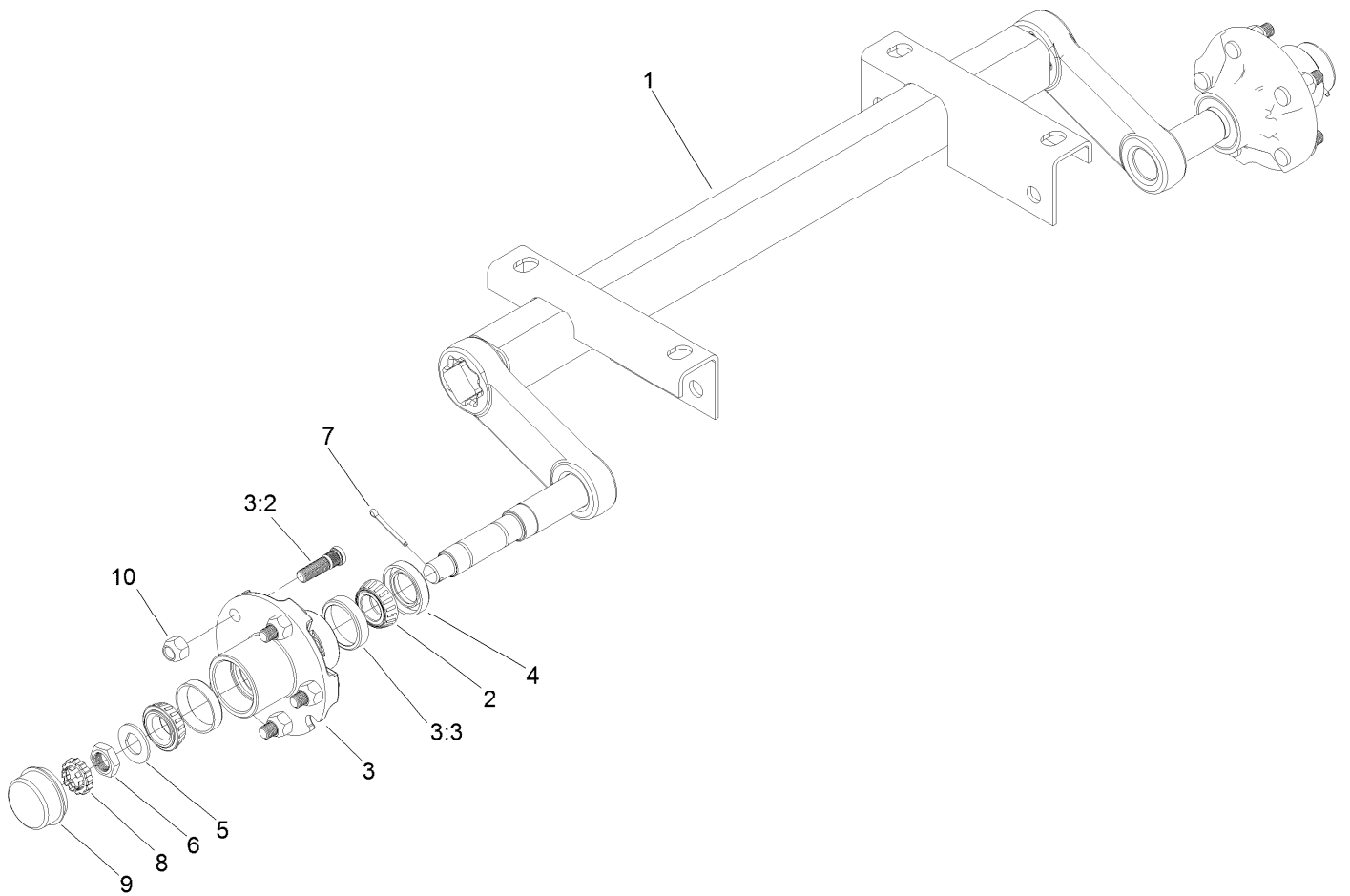
Contents

Frame Assembly.....	4
Axle Assembly No. 119-2966.....	5
Hitch Assembly No. 119-3005.....	6
Turbine Mounting Assembly.....	7
Turbine Assembly No. 144-3241SP.....	8
Nozzle Drive Assembly.....	9
Battery and Drive Shaft Assembly.....	10
Engine, Muffler and Fuel Tank Assembly.....	11
Fuel Tank Assembly No. 115-9048.....	12
Fuel Delivery Assembly.....	13
Electrical System Assembly.....	14
Wire Harness Assembly No. 122-1747.....	15
Tail Light Assembly.....	16
Attachments and Accessories.....	17



Frame Assembly

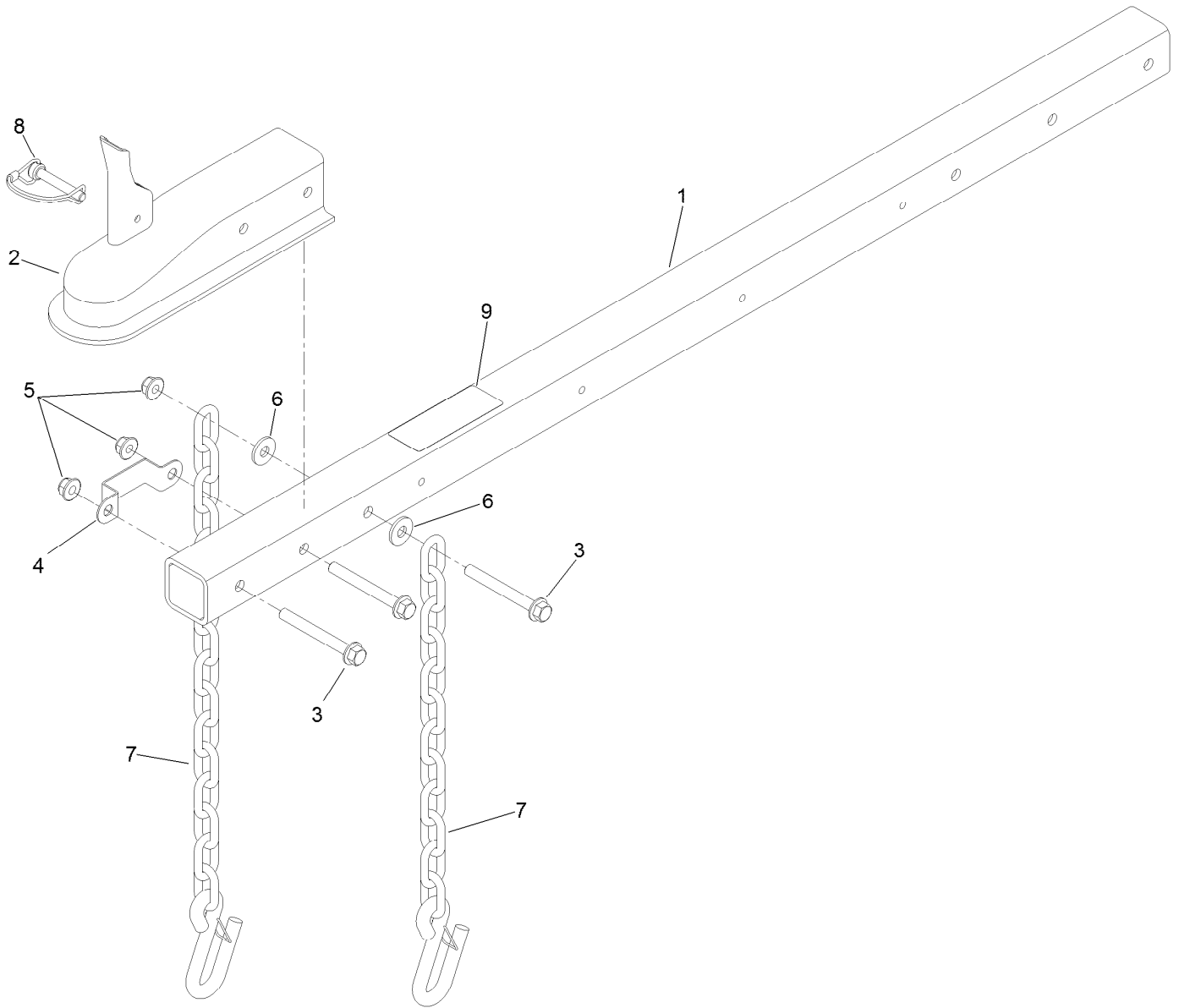
Ref.	Part Number	Qty.	Description	Ref.	Part Number	Qty.	Description
1	140-6881	1	Frame ASM, Service	16	3230-2	4	Bolt-CARR
1:2	140-6767	1	Decal-Warning,Db	17	322-5	2	Screw-HH
1:3	115-5113	1	Decal-Protection, Eye And Ear	18	104-8300	10	Nut-HF, NI
2	119-2966	1	Axle ASM	20	3256-82	8	Washer-Flat
3	112-6852	2	Fender	21	3233-26	4	Screw-CARR, Short Neck
4	104-8301	2	Nut-HF, NI	22	99-5107	4	Nut-Lock
5	1-543286	2	Grommet	24	125-6055-01	1	Tower-Control, Wa
6	2412-133	2	Clamp-R	25	323-10	3	Screw-HH
7	104-7050	1	Tube-Manual	26	93-8806	6	Washer-Hardened
8	119-3013	2	Wheel And Tire ASM	27	32128-19	3	Nut-HF Lock, Large Flg
8:1	119-3009	1	Tire	28	121-2870	3	Mount-2 Piece
8:2	119-3010	1	Rim	29	119-6165	1	Decal-Ignition
8:3	232-27	1	Stem-Valve	30	131-6766	1	Decal-Fuses
9	323-14	2	Screw-HH	31	131-6703	1	Bracket-Hold Down, Electrical
10	119-3005	1	Hitch ASM	32	3334-945	1	Tie-Cable
11	104-7048	1	Cap-Housing	33	32180-030	1	Clip-Tie
15	3230-9	4	Screw-CARR	34	133-8062	1	Decal-Arrestor, Spark



Axle Assembly No. 119-2966

Ref.	Part Number	Qty.	Description
1		1	Axle-Torsion ●
2	254-94	4	Bearing-Cone, Tapered
3	119-3016	1	Hub ASM
3:2	114-3918	5	Stud-Wheel
3:3	254-72	2	Bearing-Cup, Tapered
4	112-1690	2	Seal-Oil
5	117-8259	2	Washer-Spindle
6	117-8260	2	Nut
7	3272-18	2	Pin-Cotter
8	93-0307	2	Nut-Lock, Retainer
9	241-119	2	Cap-Dust
10	242-50	10	Nut-Lug

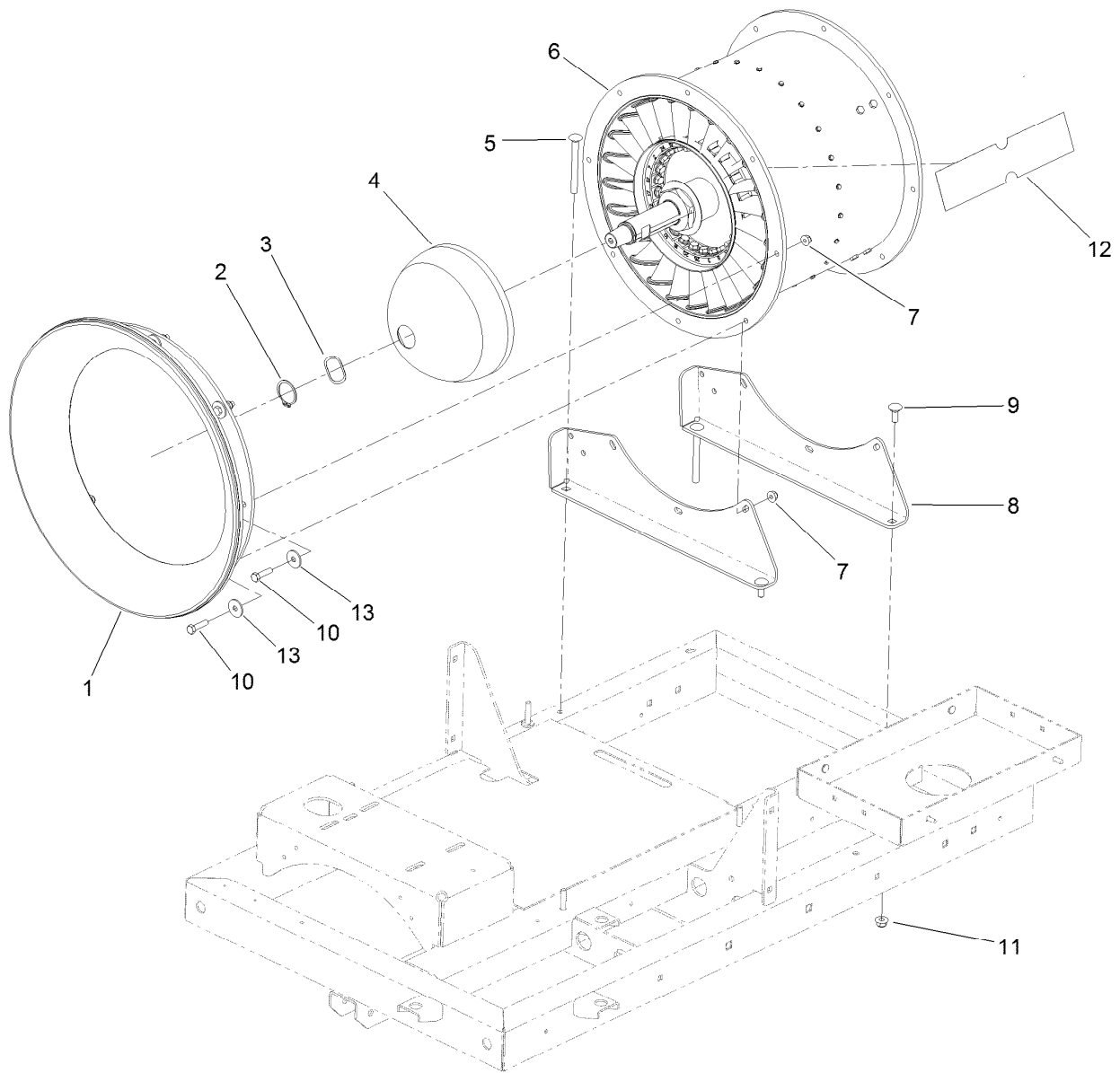
● Not serviced separately



Hitch Assembly No. 119-3005

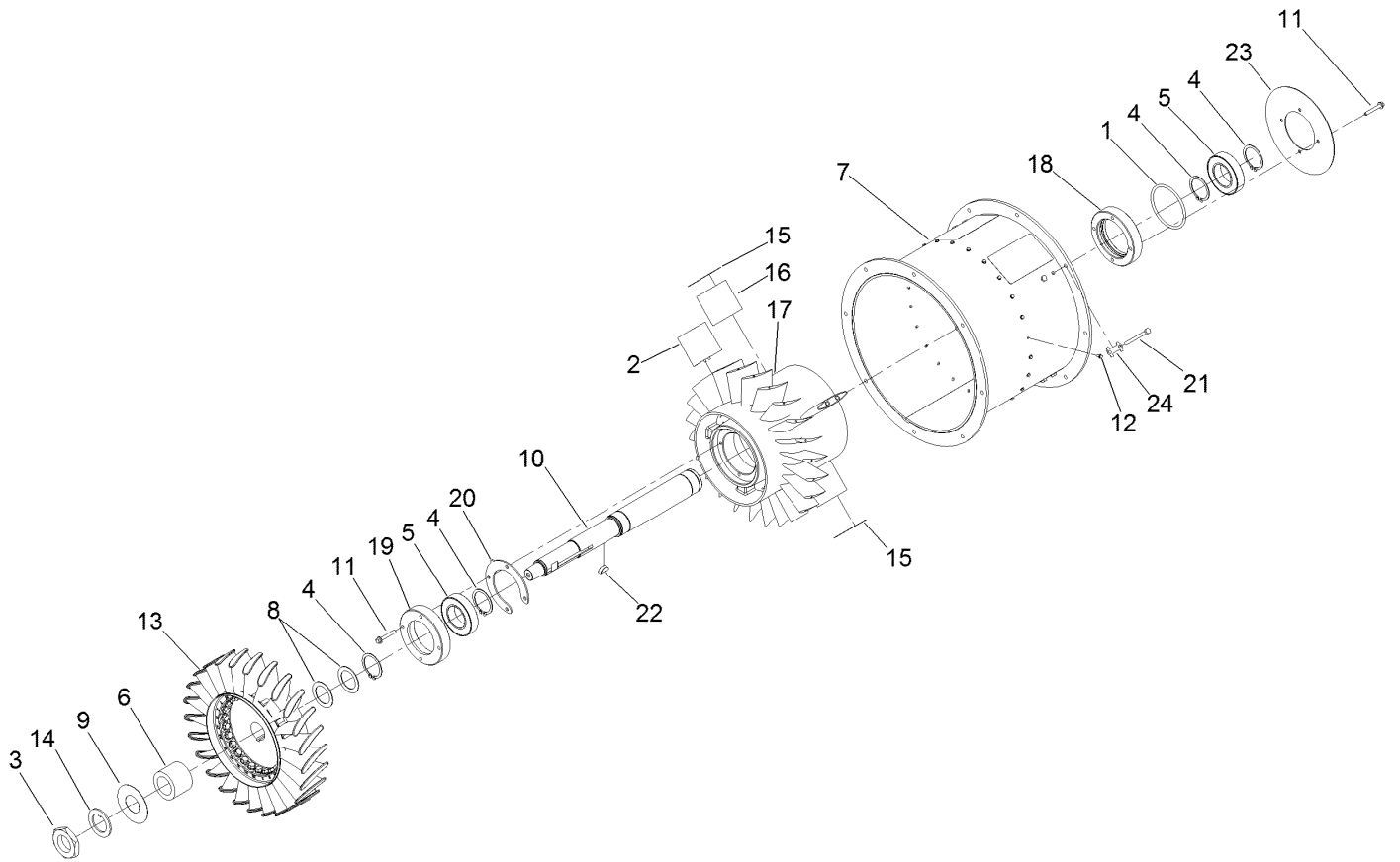
Ref.	Part Number	Qty.	Description
1		1	Tube-Hitch ●
2	117-8371	1	Receiver-Hitch, Ball
3	3234-41	3	Screw-HHF
4	119-3006	1	Hook-Light
5	104-8301	3	Nut-HF, NI
6	80-6990	2	Washer-Hardened
7	119-3045	2	Chain-Safety, Trailer
8	105-9245	1	Pin-Lock
9	119-6162	1	Decal-Tire

● Not serviced separately



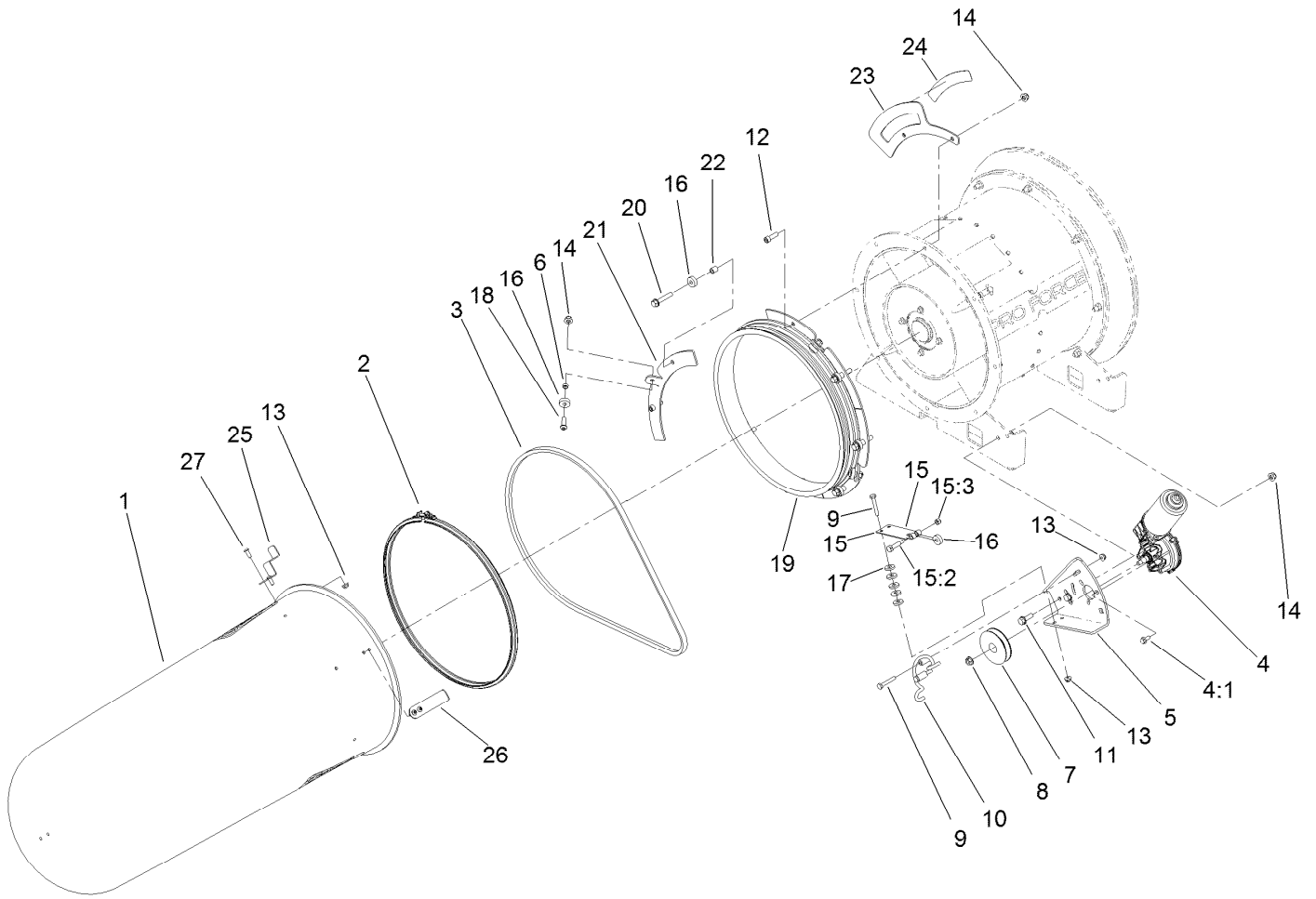
Turbine Mounting Assembly

Ref.	Part Number	Qty.	Description
1	117-8329	1	Bell-Inlet
2	112-1952	1	Ring-Snap, EXT
3	93-4632	1	Washer-Wavey
4	131-9440	1	Cap-Front
5	3231-24	2	Screw-CARR
6	144-3241SP	1	Turbine ASM
7	104-8300	8	Nut-HF, NI
8	112-6851-01	2	Mount-Fan
9	3231-22	2	Screw-CARR
10	322-6	8	Screw-HH
11	104-8301	4	Nut-HF, NI
12	115-5102	2	Decal
13	5-4460	8	Washer-Pivot



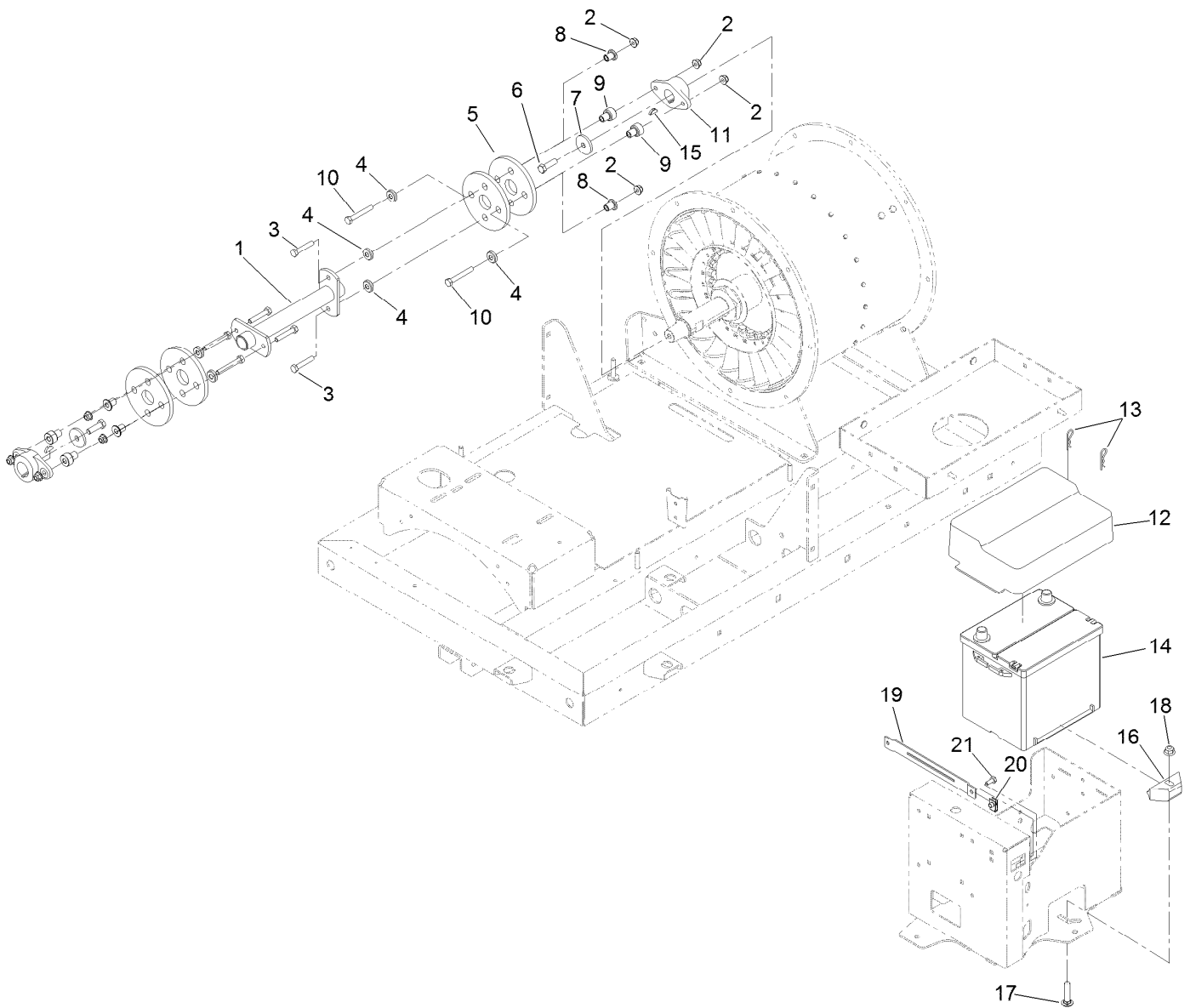
Turbine Assembly No. 144-3241SP

<i>Ref.</i>	<i>Part Number</i>	<i>Qty.</i>	<i>Description</i>	<i>Ref.</i>	<i>Part Number</i>	<i>Qty.</i>	<i>Description</i>
1	92-9533	1	O-Ring	13	117-8356	1	Rotor
2	112-1871	24	Vane-Stator	14	119-6202	1	Washer-Tab
3	112-1899	1	Nut	15	119-6207	2	Spacer-Fin
4	112-1951	4	Ring-Snap, EXT	16	119-6444	4	Mount-Fin
5	112-6764	2	Bearing-Ball	17	120-5920	1	Inner Housing
6	114-2164	1	Spacer	18	120-6042	1	End-Oring
7	140-6530SP	1	Housing	19	120-6061	1	Bearing-Cap
8	115-5131	2	Washer	20	120-6063	1	End-Cap
9	115-9005	1	Washer-Tab	21	321-19	8	Screw-HH
10	115-9075	1	Shaft-Fan	22	3257-42	1	Key-Woodruff
11	125-4287	8	Screw-HHF	23	130-0871-03	1	Plate-Center
12	117-8303	24	Screw-HHF	24	140-6815	4	Tab-Locking



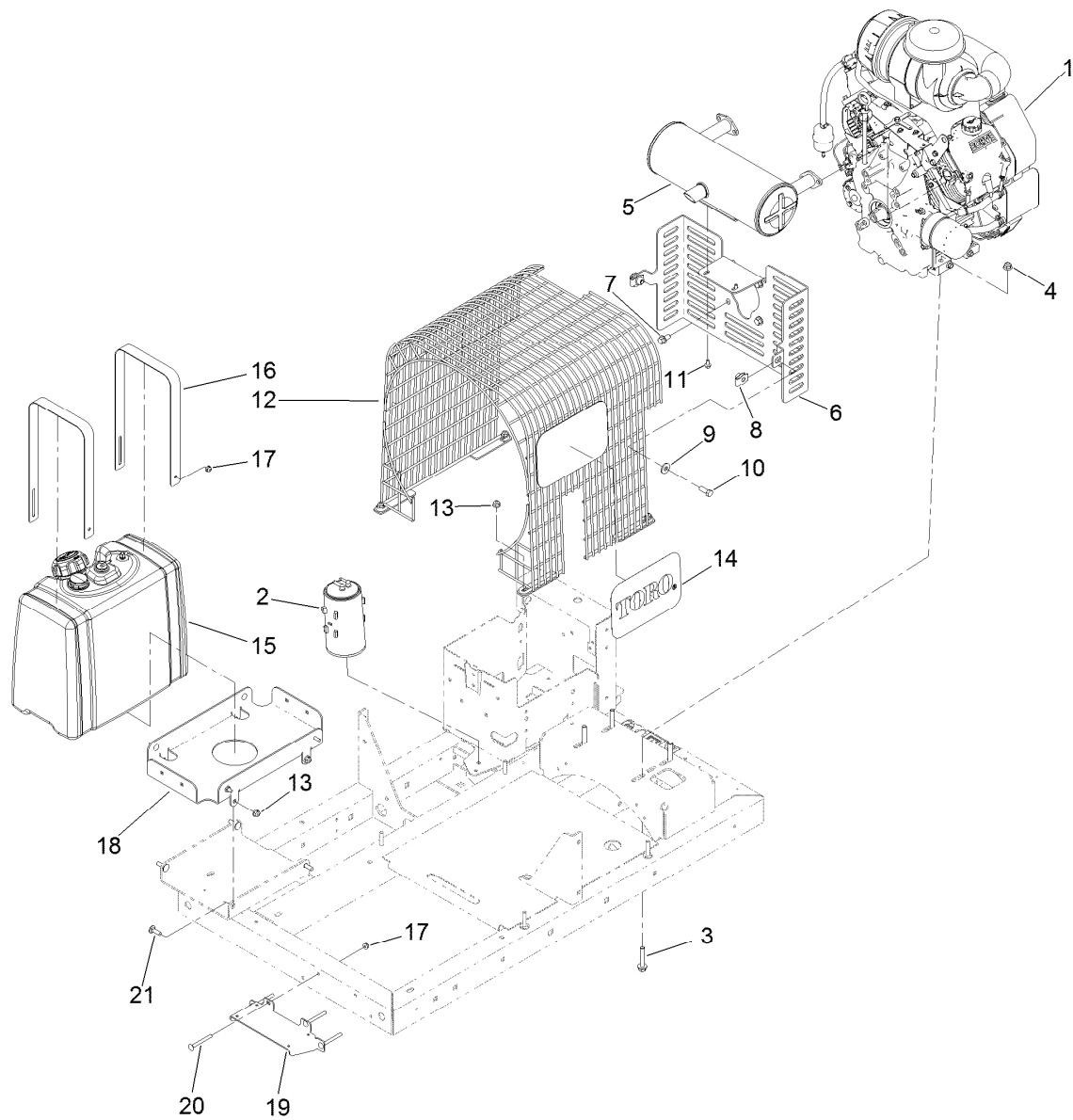
Nozzle Drive Assembly

<i>Ref.</i>	<i>Part Number</i>	<i>Qty.</i>	<i>Description</i>	<i>Ref.</i>	<i>Part Number</i>	<i>Qty.</i>	<i>Description</i>
1	119-6287	1	Nozzle	15	110-9650	1	Leaf Spring ASM
2	112-6899	1	Clamp-Nozzle	15:2	36-2250	1	Bolt-Shoulder
3	112-1853	1	Belt-V	15:3	3296-42	1	Nut-Lock, NI
4	130-8551	1	Motor-Reversible	16	251-259	10	Bearing-Ball
4:1	114-8414	3	Screw-HHF	17	88-7200	10	Washer-Flat
5	115-5149-01	1	Bracket-Motor	18	3274-104	4	Screw-HSBH
6	140-6847	4	Spacer	19	140-4427	1	Pulley-Nozzle
7	115-5147	1	Pulley	20	94-5780	5	Screw-HWH
8	98-0668	1	Nut	21	140-4428	4	Bracket-Mount, Bearing
9	321-37	4	Screw-HH	22	93-6859	5	Spacer
10	112-6924	1	Guard-Belt, Drive	23	140-6814-03	1	Gauge-Rotation
11	3234-29	2	Screw-HHF	24	140-2247	1	Decal-Position, Chute
12	3274-22	3	Screw-HSH	25	140-6685-07	1	Indicator
13	104-7201	8	Nut-HF	26	140-2220-01	1	Indicator
14	104-8300	14	Nut-HF, NI	27	119-6906	4	Screw-HSBH



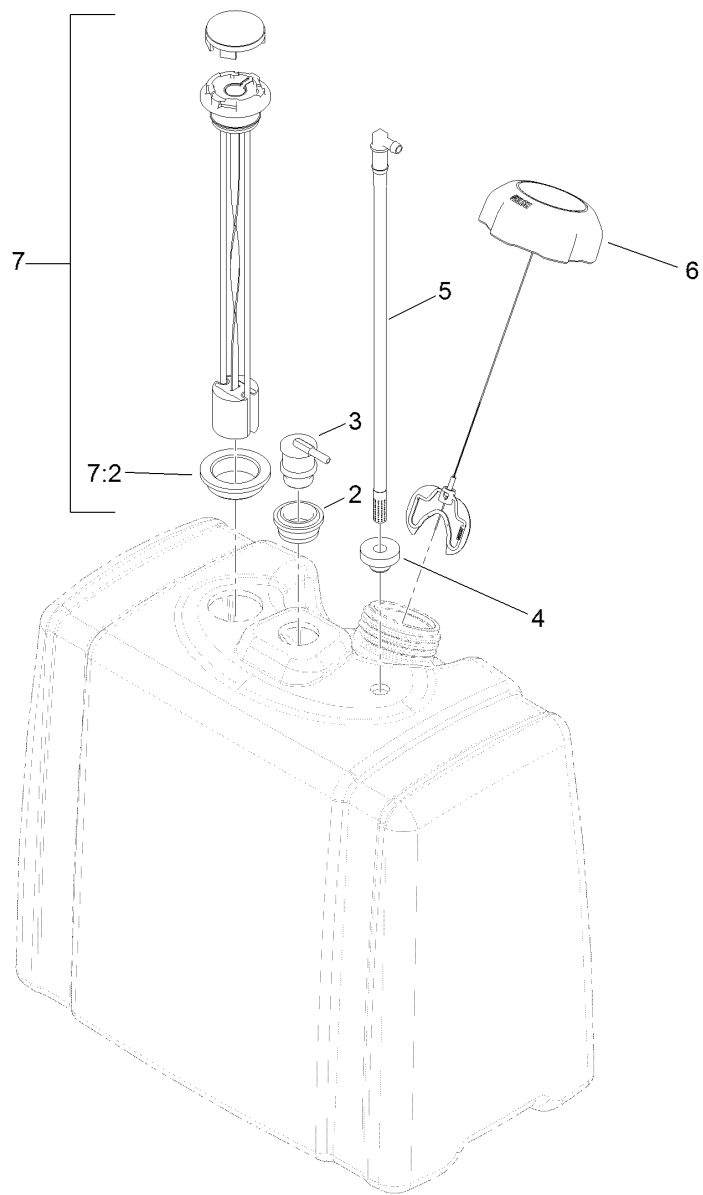
Battery and Drive Shaft Assembly

<i>Ref.</i>	<i>Part Number</i>	<i>Qty.</i>	<i>Description</i>	<i>Ref.</i>	<i>Part Number</i>	<i>Qty.</i>	<i>Description</i>
1	115-5124-03	1	Shaft-Drive	12	130-8569	1	Cover-Battery
2	104-8300	8	Nut-HF, NI	13	3290-467	2	Pin-Hair
3	322-39	4	Screw-HH	14	106-5187	1	Battery, 525 CCA W/O Electrolyte
4	131-6761	8	Washer	15	3257-5	2	Key-Woodruff
5	115-5129	4	Coupling-Rubber	16	138-6335	1	Retainer-Battery
6	323-7	2	Screw-HH	17	3231-5	1	Screw-CARR
7	114-2120	2	Washer	18	104-8301	1	Nut-HF, NI
8	131-6763	4	Spacer-Coupling, Rubber	19	130-0932-01	1	Bracket-Cover
9	131-6762	4	Spacer-Coupling, Rubber	20	107069	2	Clip
10	322-32	4	Screw-HH	21	321-4	2	Screw-HH
11	114-2122	2	Hub-Engine				



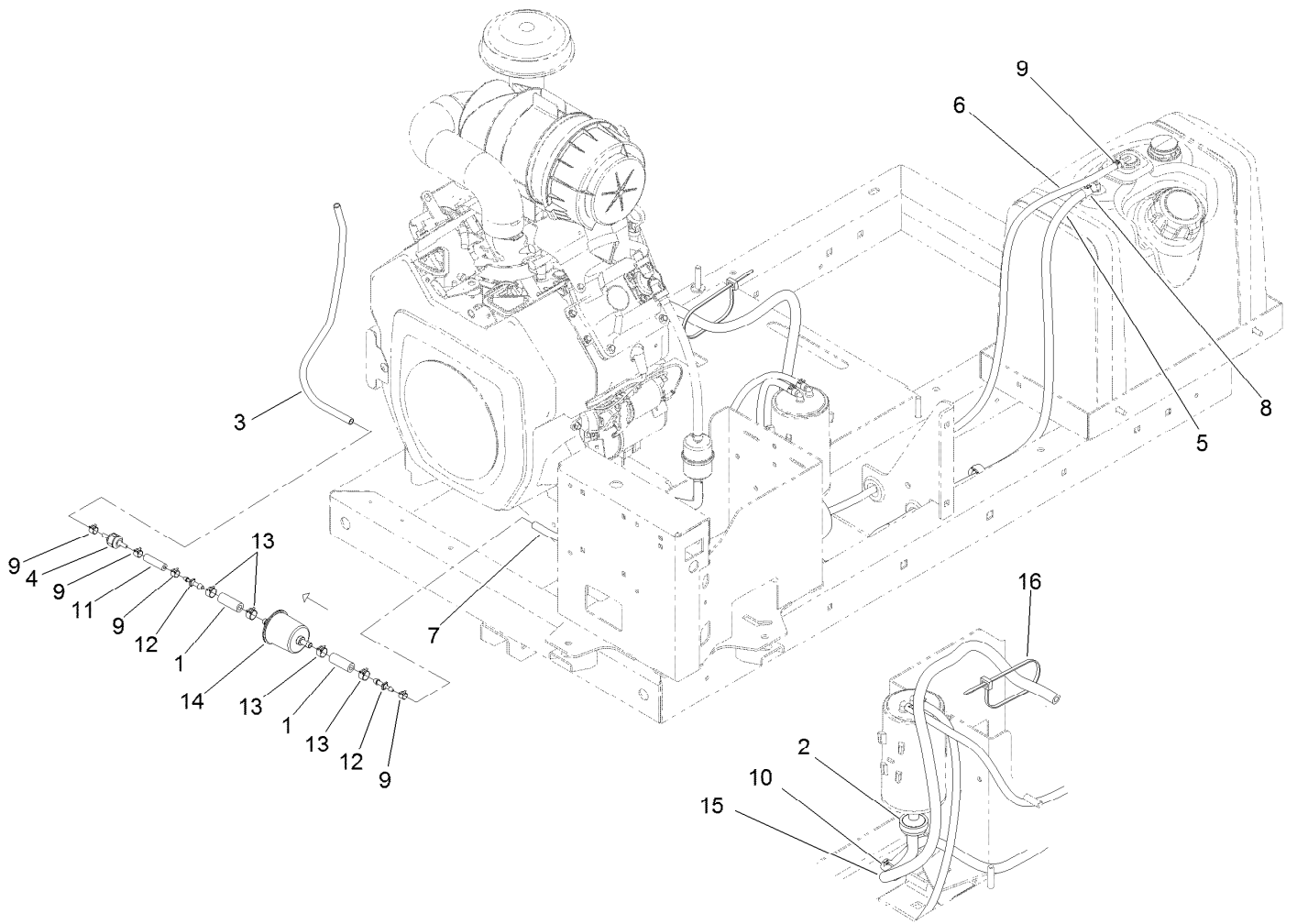
Engine, Muffler and Fuel Tank Assembly

Ref.	Part Number	Qty.	Description	Ref.	Part Number	Qty.	Description
1	144-3302	1	Engine-Kohler	12	112-6876	1	Grill-Top
2	127-8685	1	Canister-Carbon	13	104-8300	8	Nut-HF, NI
3	66-9302	4	Screw-HHF, Whiz	14	92-1242	2	Decal
4	104-8301	4	Nut-HF, NI	15	115-9048	1	Fuel Tank ASM
5	112-6862	1	Muffler	16	119-6285	2	Strap-Hold Down, Tank
6	119-6171-03	1	Mount-Muffler	17	104-7201	8	Nut-HF
7	110-1718	4	Screw-HHF	18	140-6876-01	1	Mount-Tank, 5GA [red]
8	105-4886	2	Nut-Tinnerman	19	140-6766-01	1	Plate-Mount
9	80-6990	2	Washer-Hardened	20	3229-8	4	Screw-CARR
10	323-6	2	Screw-HH	21	3230-2	4	Bolt-CARR
11	33103-012	2	Screw-HHF				



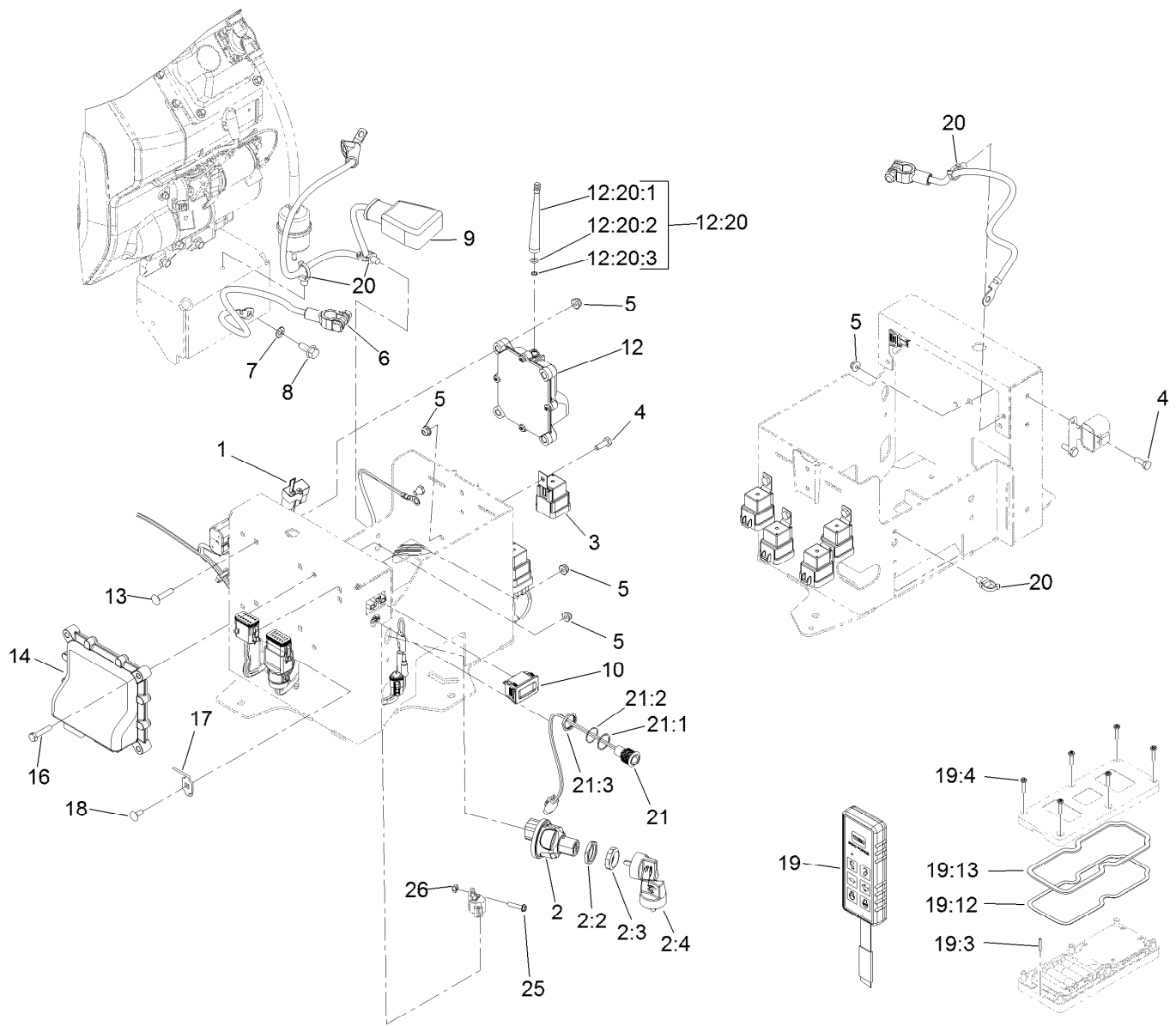
Fuel Tank Assembly No. 115-9048

<i>Ref.</i>	<i>Part Number</i>	<i>Qty.</i>	<i>Description</i>
2	114-0284	1	Grommet
3	114-0285	1	Valve-Rollover
4	46-6560	1	Bushing
5	115-9044	1	Pipe-Stand
6	137-4127	1	Cap-Fuel
7	119-0509	1	Gauge ASM
7:2	119-0508	1	Seal



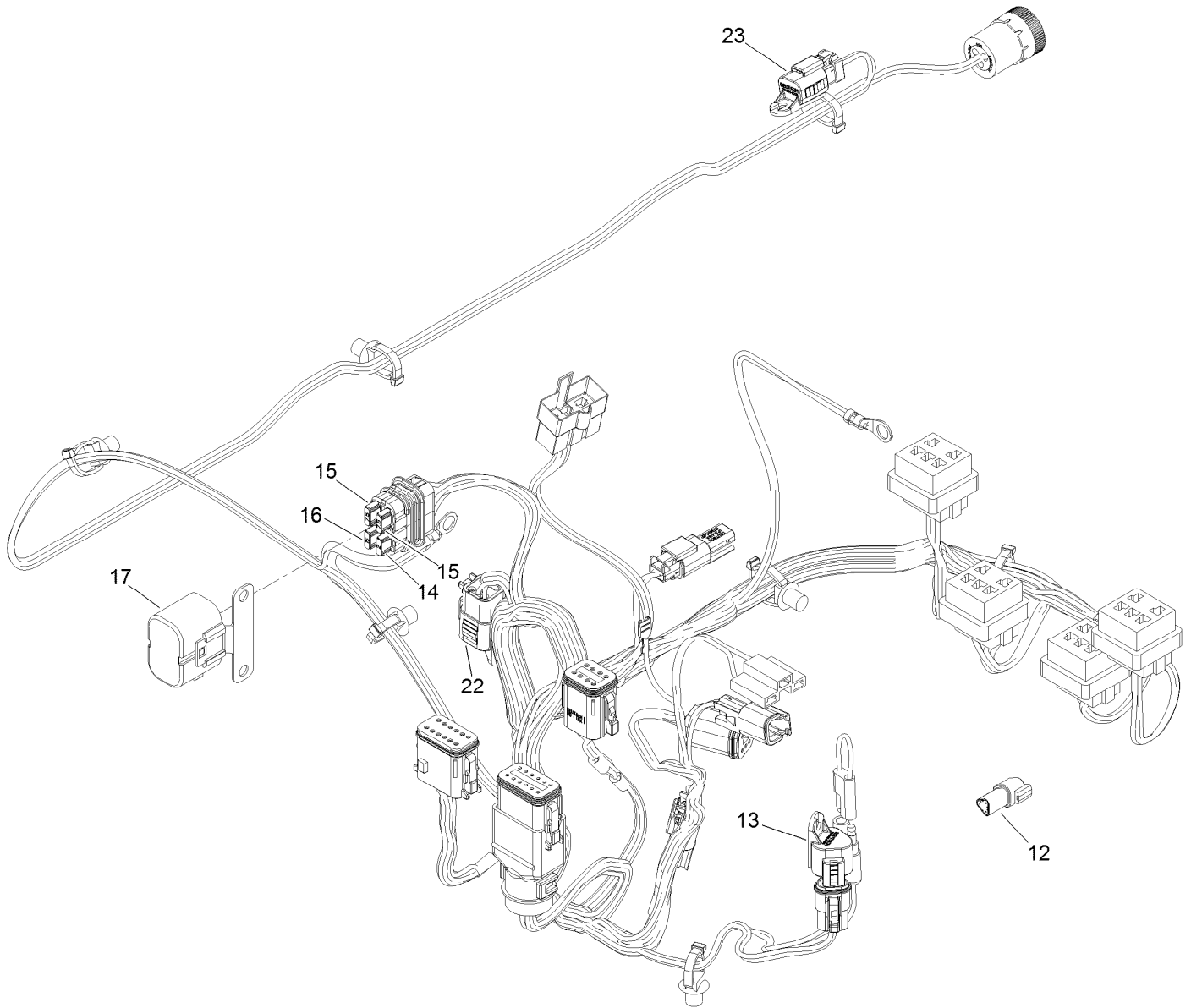
Fuel Delivery Assembly

<i>Ref.</i>	<i>Part Number</i>	<i>Qty.</i>	<i>Description</i>	<i>Ref.</i>	<i>Part Number</i>	<i>Qty.</i>	<i>Description</i>
1	106-5317	3	Hose-Fuel	9	2412-80	5	Clamp-Hose
2	115-7854	1	Filter-Fuel, Inline	10	32180-030	6	Clip-Tie
3	119-8150	1	Hose-Fuel	11	119-8561	1	Hose-Fuel
4	133-8499	1	Valve-Check, Vacuum	12	106-8150	2	Fitting-Straight
5	107-9298	1	Hose-Fuel	13	92-2379	4	Clamp-Hose
6	119-6073	1	Hose-Fuel	14	120-2235	1	Filter-Fuel
7	110-3254	1	Hose-Fuel	15	110-4109	1	Hose-Fuel
8	2412-98	2	Clamp-Hose	16	3290-378	1	Tie-Cable



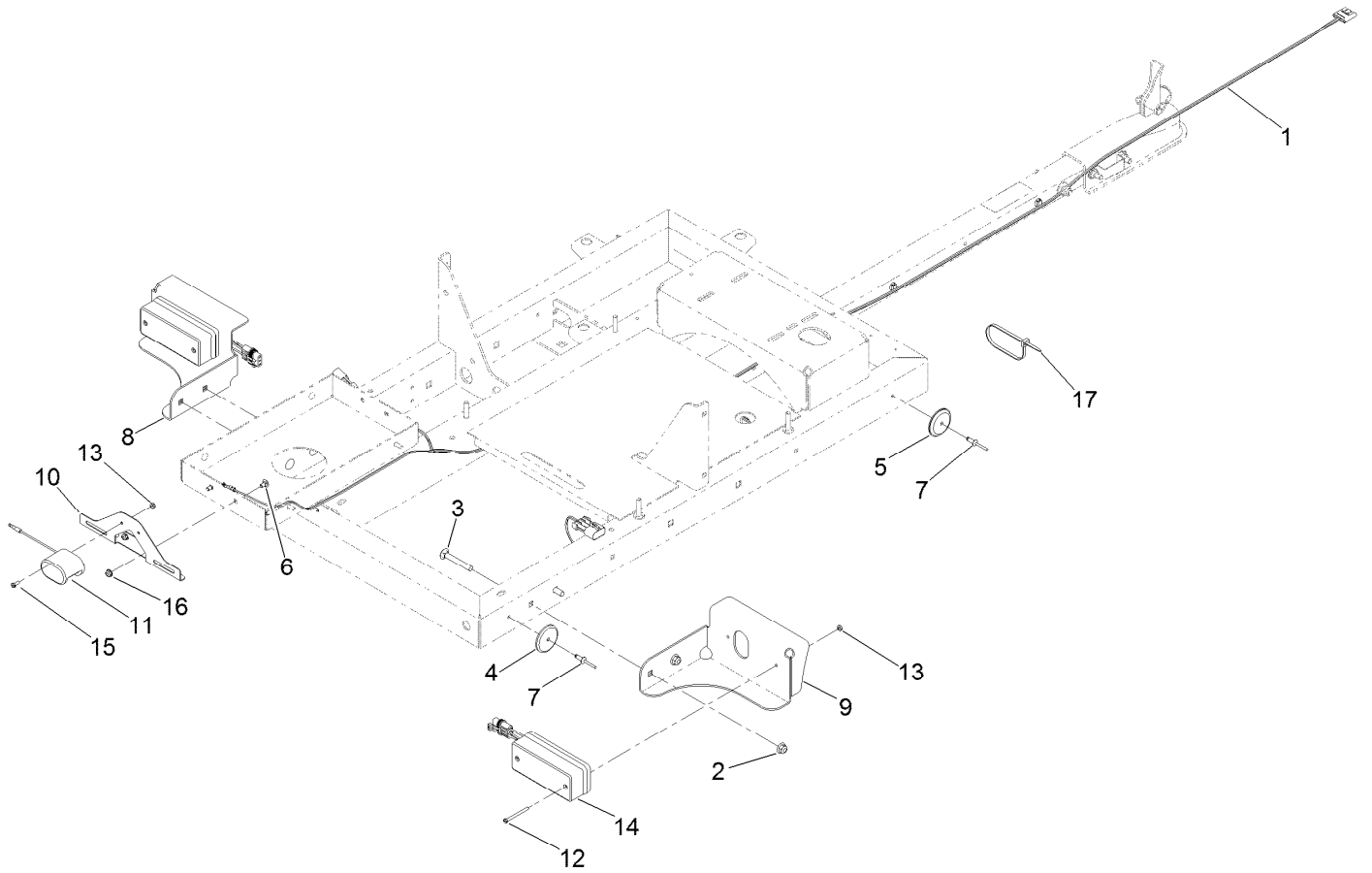
Electrical System Assembly

Ref.	Part Number	Qty.	Description	Ref.	Part Number	Qty.	Description
1	122-1747	1	Harness-Wire, Proforce Blower Rf2Can	13	3229-3	4	Screw-CARR
2	121-5159	1	Ignition Switch ASM	14	125-1360	1	Controller
2:2	121-5160	1	Nut-Hex	16	321-8	4	Screw-HH
2:3	121-5161	1	Nut-Face	17	121-2761	1	Mount-Transmitter
2:4	121-5162	1	Set-Key, Ignition	18	3229-11	1	Screw-CARR
3	99-7430	4	Relay-Mini	19	125-1270	1	Remote ASM
4	321-4	6	Screw-HH	19:3	121-2906	1	Pin-Lanyard
5	104-7201	15	Nut-HF	19:4	121-2908	6	Screw-PPH
6	125-5966	1	Cable-Battery, Negative	19:12	125-1294	1	Backer-Gasket
7	3255-8	1	Washer-Lock	19:13	125-1295	1	Gasket (HH-Small)
8	33104-020	1	Screw-HHF	20	32180-030	3	Clip-Tie
9	122-0629	1	Cable-Battery, Positive	21	122-0630	1	Red LED Indicator Lamp ASM
10	120-2244	1	Hourmeter	21:1	122-0634	1	Gasket-LED
12	132-9600	1	Controller	21:2	122-0633	1	Washer-Locking
12:20	140-6605	1	Antenna Service Kit	21:3	122-0632	1	Nut-Fixing
12:20:1	125-1567	1	Antenna	25	106-9169	1	Screw-HWH
12:20:2	127-2323	1	O-Ring	26	3296-12	1	Nut-Lock, NI
12:20:3	127-2506	1	Spacer				



Wire Harness Assembly No. 122-1747

<i>Ref.</i>	<i>Part Number</i>	<i>Qty.</i>	<i>Description</i>
12	32180-043	2	Resistor-120 Ohm
13	32180-089	1	Cap-Plug, 3 Way
14	121-8861	1	Fuse-Mini Blade, 2 Amp
15	121-8865	2	Fuse-Mini Blade, 7.5 Amp
16	121-8867	1	Fuse-Mini Blade, 15 Amp
17	32180-179	1	Cover-Bussman
22	32180-156	1	Cap-Plug, 6 Way
23	32180-091	1	Cap-Dust, 2 Way



Tail Light Assembly

<i>Ref.</i>	<i>Part Number</i>	<i>Qty.</i>	<i>Description</i>	<i>Ref.</i>	<i>Part Number</i>	<i>Qty.</i>	<i>Description</i>
1	119-1792	1	Harness-Wire	10	119-6072-03	1	Bracket-Plate, License
2	104-8301	4	Nut-HF, NI	11	119-3041	1	Lamp-License
3	3231-9	4	Screw-CARR	12	32105-14	4	Screw-SHH
4	74-2390	2	Reflector-Red	13	3296-12	6	Nut-Lock, NI
5	104-6962	2	Reflector-Amber	14	119-3046	2	Tail-Light
6	3229-10	2	Screw-CARR	15	32105-8	2	Screw-SHH
7	3290-412	4	Rivet-Blind	16	104-7201	2	Nut-HF
8	119-3003-03	1	Bracket-Light Mount (LH)	17	3290-379	1	Tie-Cable
9	119-3004-03	1	Bracket-Light Mount (RH)				

Attachments and Accessories

For 44553 Pro Force Debris Blower

Product Name	Model/Part
Tapered Nozzle Kit.....	119-6280
Rectangular Nozzle Kit	119-6281
10 Gallon Kit, Pro Force Debris Blower.....	130-4371
Alignment Tool Asm	137-6616
Chute Position Indicator Kit.....	140-2257
Spark Arrestor Screen	94-8157

Notes:

Notes:



Count on it.