



Count on it.

Parts Catalog

**Pro Force®
Debris Blower**

Model No. 44552—Serial No. 408000000 and Up



Ordering Replacement Parts

To order replacement parts, please supply the part number, the quantity, and the description of each part desired.

Understanding Reference Numbers

Each identified part in an illustration has a reference number. The reference number for a part also appears in the parts list, along with other information about the part.

This catalog uses two special reference number formats, one to indicate parts in a service assembly and another to indicate the quantity of a given part in an illustration.

Service Assembly Reference Numbers

Parts in service assemblies have reference numbers in the form a:b. The a represents the reference number of the entire service assembly and the b represents a sequential number unique to each part within the service assembly.

For example, a wheel assembly might be identified by reference number 6, the tire by 6:1, the valve by 6:2, and the wheel by 6:3. When you order the assembly identified by reference number 6, you receive all parts identified by reference numbers 6:1, 6:2, and 6:3. However, you may also order any part individually. Reference numbers of this type appear in illustration and in parts lists.

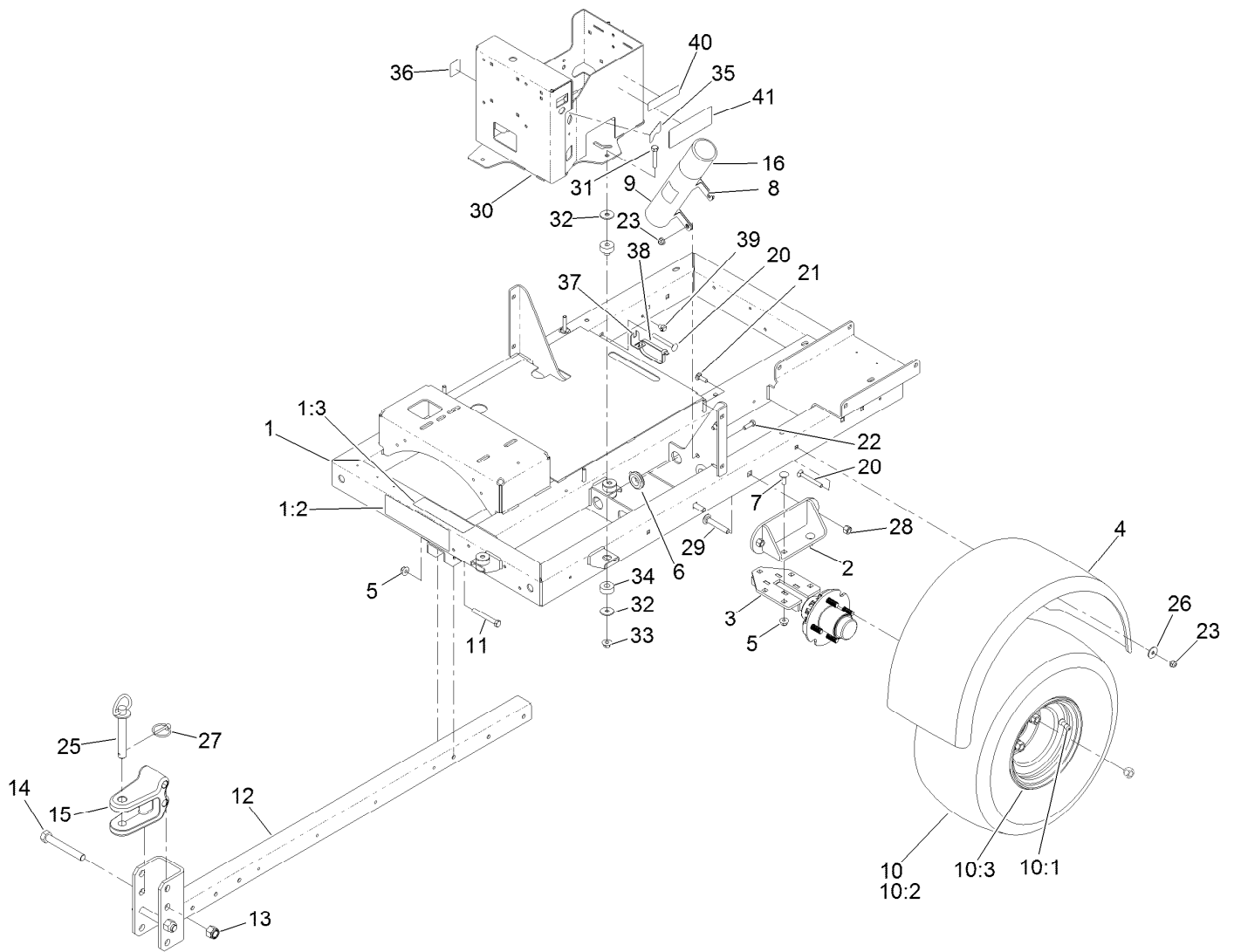
Reference Numbers Indicating Quantity

In an illustration, if a reference number indicates more than one part, the reference number has the form nX y. The n represents the quantity of the part, the X is the multiplication symbol, and the y represents the reference number.

For example, in an illustration, the reference number 2X 37 means that two of the parts identified by reference number 37 are indicated.

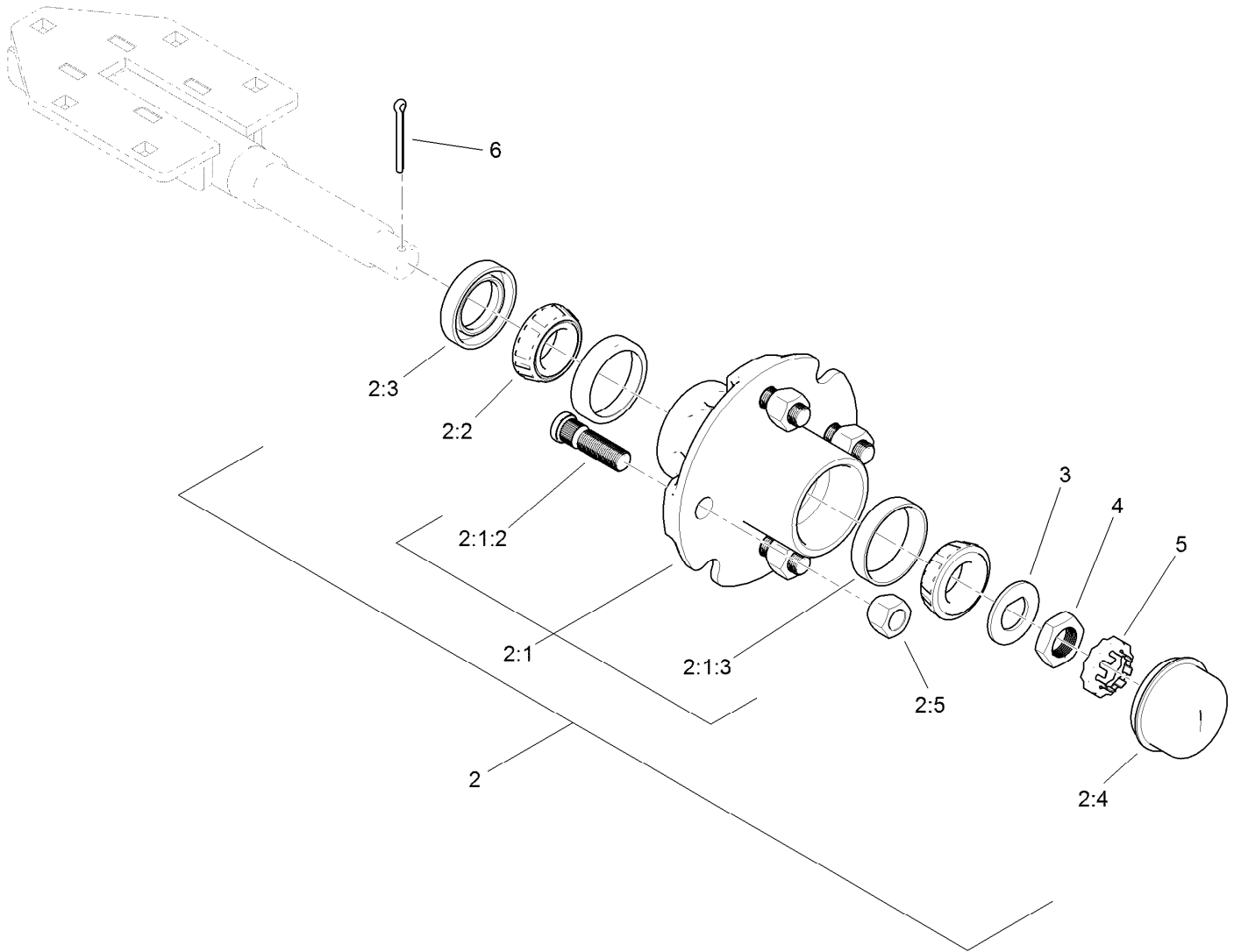
Contents

Frame, Wheel, Axle and Hitch Assembly	4
Hub and Axle Assembly No. 117-8255	5
Turbine Mounting Assembly	6
Turbine Assembly No. 144-3241SP	7
Nozzle Drive Assembly	8
Battery and Drive Shaft Assembly	9
Engine, Muffler and Fuel Tank Assembly	10
Fuel Tank Assembly No. 115-9048	11
Fuel Delivery Assembly	12
Electrical System Assembly	13
Wire Harness Assembly No. 122-1747	14
Attachments and Accessories	15



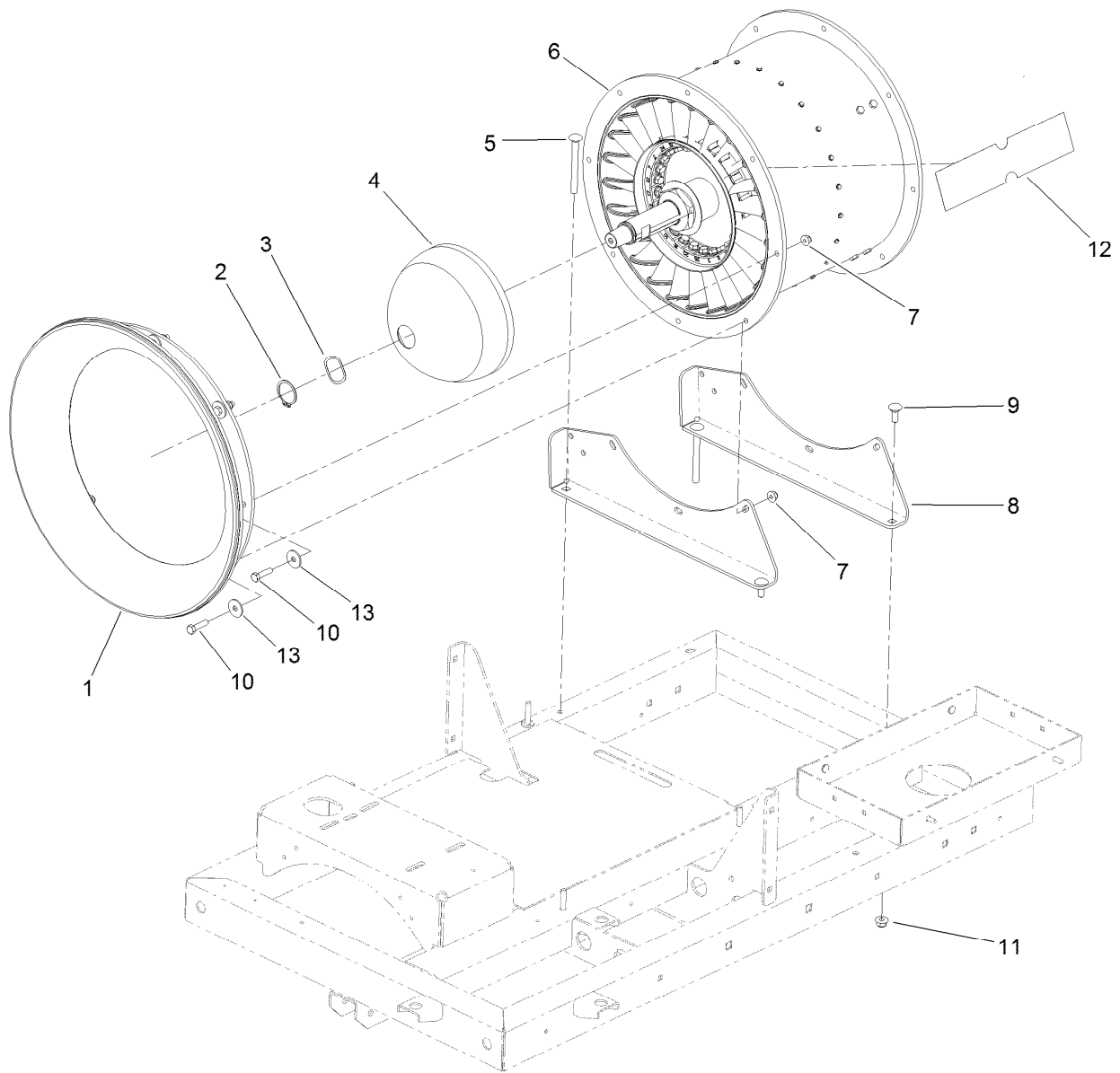
Frame, Wheel, Axle and Hitch Assembly

Ref.	Part Number	Qty.	Description	Ref.	Part Number	Qty.	Description
1	140-6881	1	Frame ASM, Service	20	3230-9	4	Screw-CARR
1:2	140-6767	1	Decal-Warning,Db	21	3230-2	4	Bolt-CARR
1:3	115-5113	1	Decal-Protection, Eye And Ear	22	322-5	2	Screw-HH
2	119-2958-01	2	Mount-Axle	23	104-8300	10	Nut-HF, NI
3	117-8255	2	Hub And Axle ASM	25	13-6200	1	Pin-Hitch, Pointed
4	112-6852	2	Fender	26	3256-82	8	Washer-Flat
5	104-8301	8	Nut-HF, NI	27	92-1298	1	Pin-Lynch
6	1-543286	2	Grommet	28	3296-48	4	Nut-Hex
7	3231-2	6	Bolt-CARR	29	3232-17	4	Screw-CARR
8	2412-133	2	Clamp-R	30	125-6055-01	1	Tower-Control, Wa
9	104-7050	1	Tube-Manual	31	323-10	3	Screw-HH
10	98-8691	2	Wheel ASM	32	93-8806	6	Washer-Hardened
10:1	232-27	1	Stem-Valve	33	32128-19	3	Nut-HF Lock, Large Flg
10:2	99-4506	1	Tire	34	121-2870	3	Mount-2 Piece
10:3	99-4507	1	Rim	35	119-6165	1	Decal-Ignition
11	323-14	2	Screw-HH	36	131-6766	1	Decal-Fuses
12	112-6942-01	1	Hitch	37	131-6703	1	Bracket-Hold Down, Electrical
13	3296-53	2	Nut-Lock, NI	38	3334-945	1	Tie-Cable
14	327-23	2	Screw-HH	39	32180-030	1	Clip-Tie
15	131-4381-01	1	Hitch-Clevis	40	133-8062	1	Decal-Arrestor, Spark
16	104-7048	1	Cap-Housing	41	140-6843	1	Decal-Frame



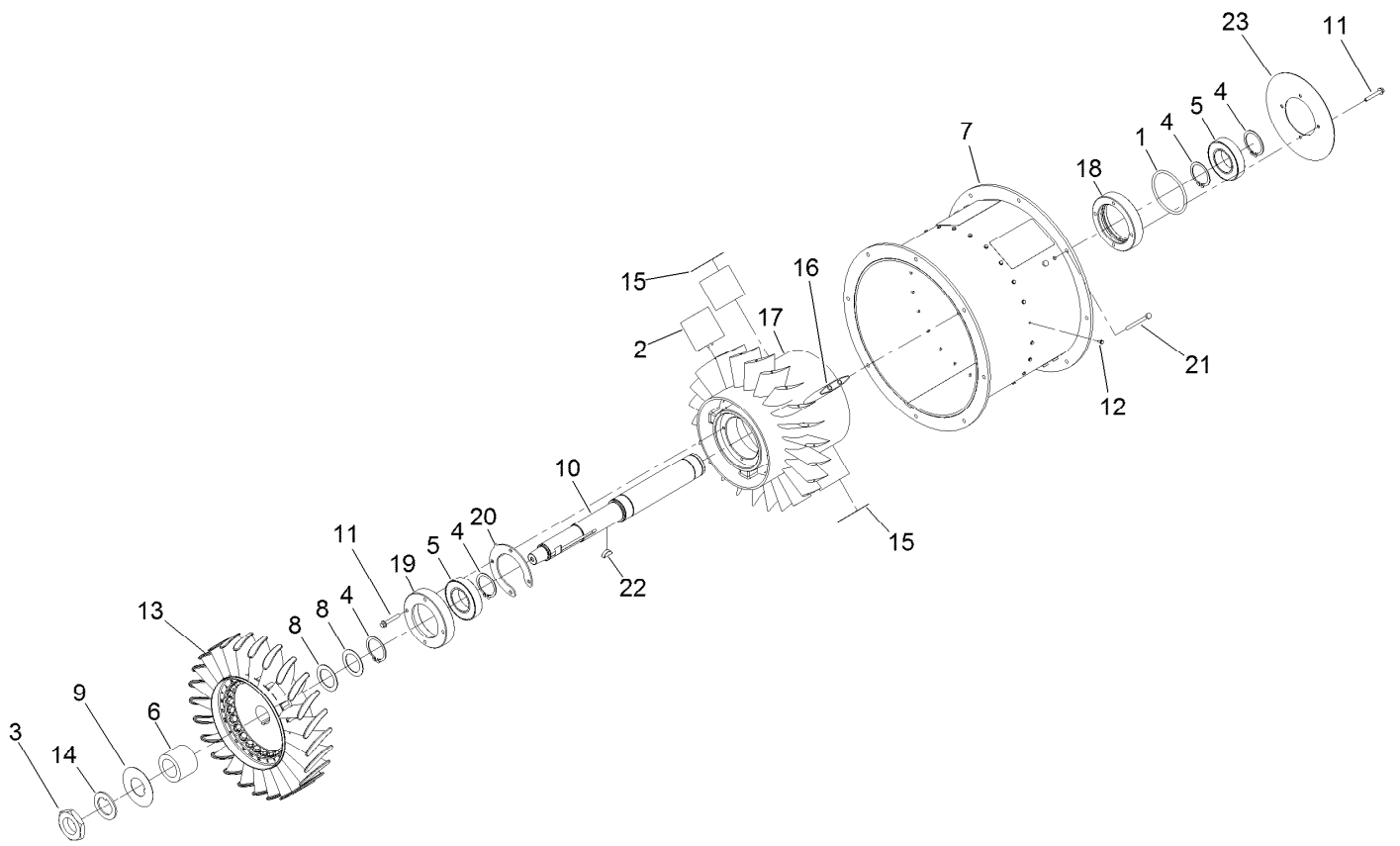
Hub and Axle Assembly No. 117-8255

<i>Ref.</i>	<i>Part Number</i>	<i>Qty.</i>	<i>Description</i>
2	117-5115	2	Hub And Bearing ASM
2:1	117-8251	1	Hub ASM
2:1:2	114-3918	4	Stud-Wheel
2:1:3	254-72	2	Bearing-Cup, Tapered
2:2	254-94	2	Bearing-Cone, Tapered
2:3	112-1690	1	Seal-Oil
2:4	241-119	1	Cap-Dust
2:5	242-50	4	Nut-Lug
3	117-8259	1	Washer-Spindle
4	117-8260	1	Nut
5	93-0307	1	Nut-Lock, Retainer
6	3272-18	1	Pin-Cotter



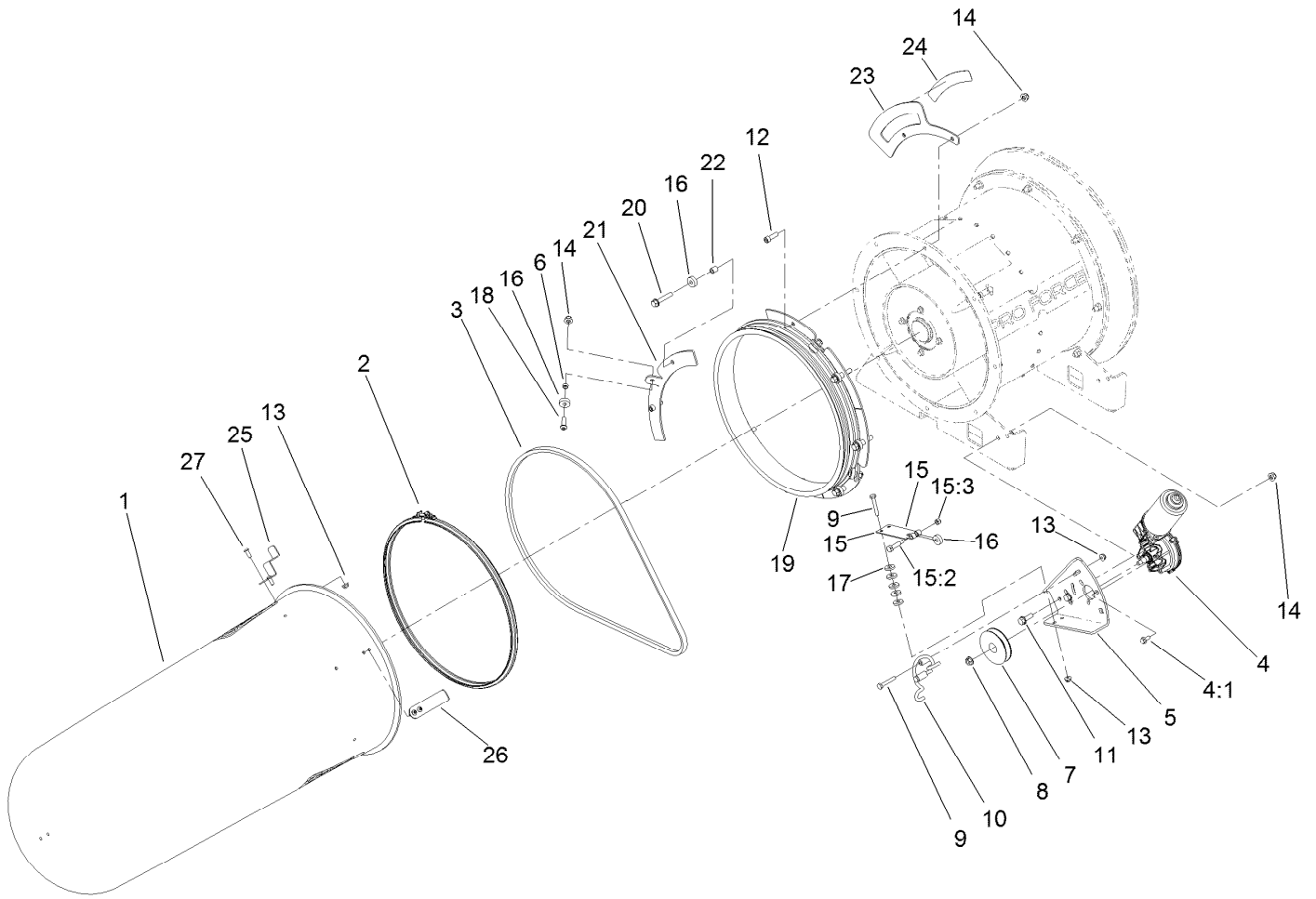
Turbine Mounting Assembly

Ref.	Part Number	Qty.	Description
1	117-8329	1	Bell-Inlet
2	112-1952	1	Ring-Snap, EXT
3	93-4632	1	Washer-Wavey
4	131-9440	1	Cap-Front
5	3231-24	2	Screw-CARR
6	144-3241SP	1	Turbine ASM
7	104-8300	8	Nut-HF, NI
8	112-6851-01	2	Mount-Fan
9	3231-22	2	Screw-CARR
10	322-6	8	Screw-HH
11	104-8301	4	Nut-HF, NI
12	115-5102	2	Decal
13	5-4460	8	Washer-Pivot



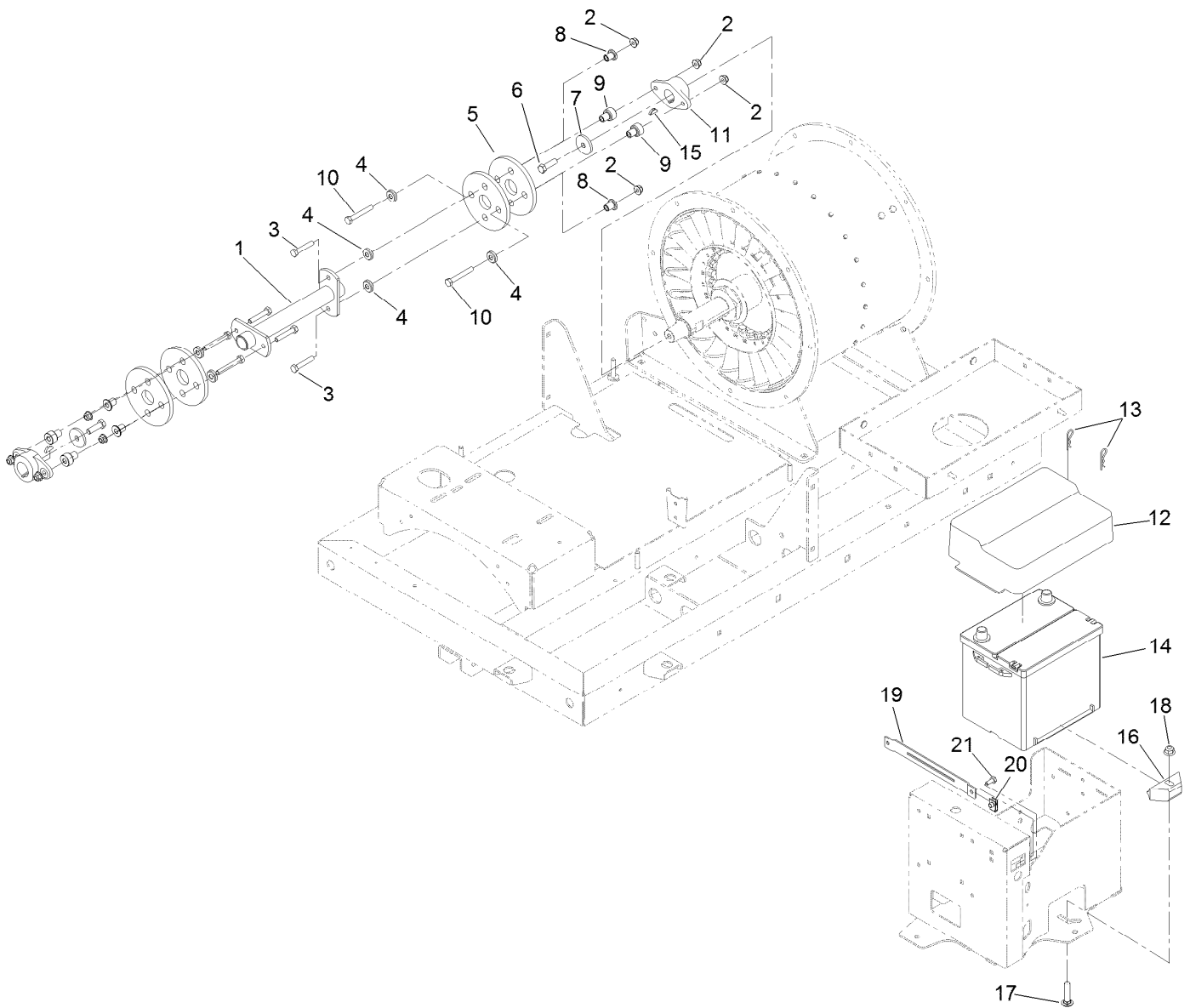
Turbine Assembly No. 144-3241SP

<i>Ref.</i>	<i>Part Number</i>	<i>Qty.</i>	<i>Description</i>	<i>Ref.</i>	<i>Part Number</i>	<i>Qty.</i>	<i>Description</i>
1	92-9533	1	O-Ring	13	117-8356	1	Rotor
2	112-1871	24	Vane-Stator	14	119-6202	1	Washer-Tab
3	112-1899	1	Nut	15	119-6207	2	Spacer-Fin
4	112-1951	4	Ring-Snap, EXT	16	119-6444	4	Mount-Fin
5	112-6764	2	Bearing-Ball	17	120-5920	1	Inner Housing
6	114-2164	1	Spacer	18	120-6042	1	End-Oring
7	140-6530SP	1	Housing	19	120-6061	1	Bearing-Cap
8	115-5131	2	Washer	20	120-6063	1	End-Cap
9	115-9005	1	Washer-Tab	21	321-19	8	Screw-HH
10	115-9075	1	Shaft-Fan	22	3257-42	1	Key-Woodruff
11	125-4287	8	Screw-HHF	23	130-0871-03	1	Plate-Center
12	117-8303	24	Screw-HHF				



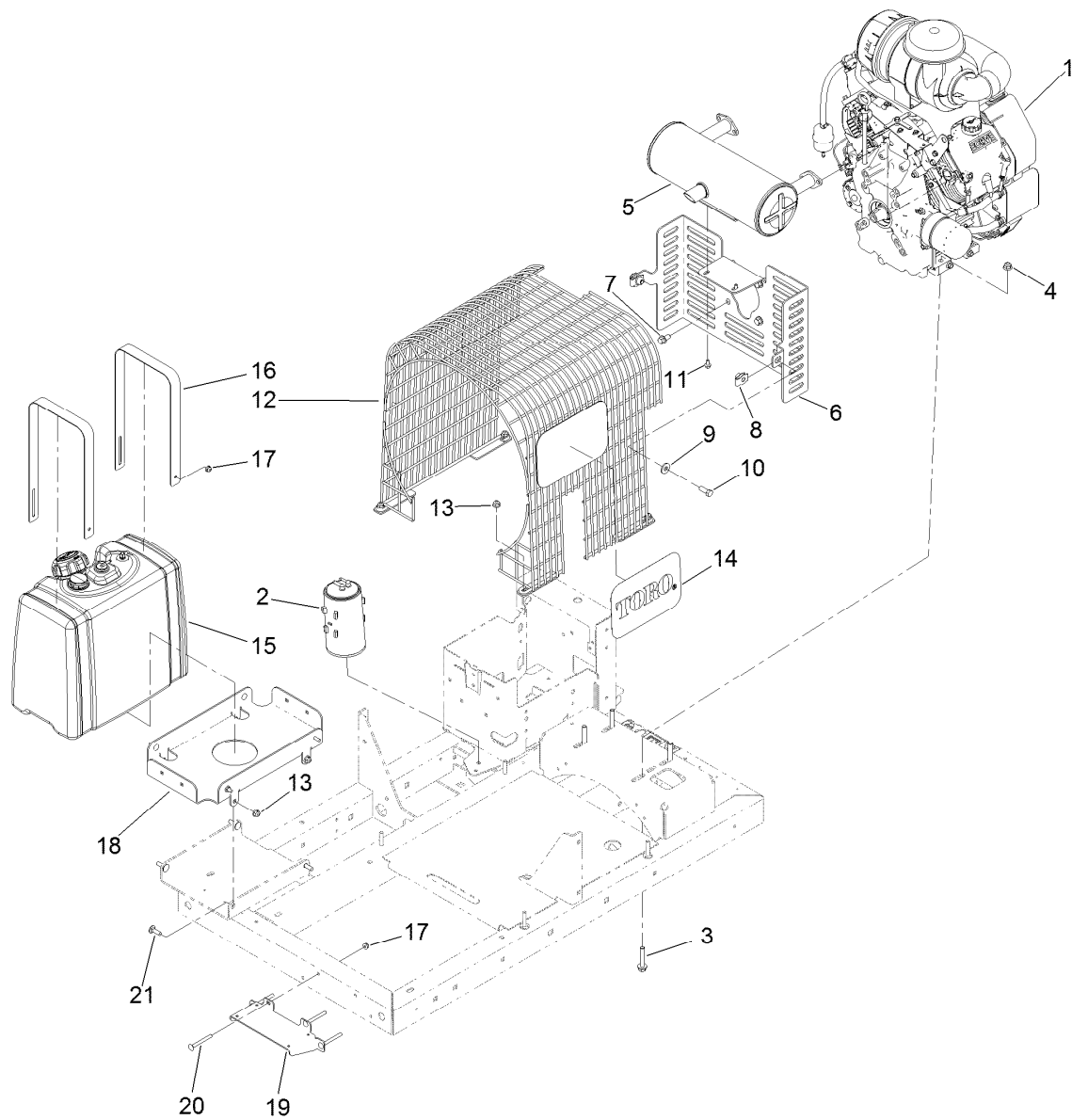
Nozzle Drive Assembly

<i>Ref.</i>	<i>Part Number</i>	<i>Qty.</i>	<i>Description</i>	<i>Ref.</i>	<i>Part Number</i>	<i>Qty.</i>	<i>Description</i>
1	119-6287	1	Nozzle	15	110-9650	1	Leaf Spring ASM
2	112-6899	1	Clamp-Nozzle	15:2	36-2250	1	Bolt-Shoulder
3	112-1853	1	Belt-V	15:3	3296-42	1	Nut-Lock, NI
4	130-8551	1	Motor-Reversible	16	251-259	10	Bearing-Ball
4:1	114-8414	3	Screw-HHF	17	88-7200	10	Washer-Flat
5	115-5149-01	1	Bracket-Motor	18	3274-104	4	Screw-HSBH
6	140-6847	4	Spacer	19	140-4427	1	Pulley-Nozzle
7	115-5147	1	Pulley	20	94-5780	5	Screw-HWH
8	98-0668	1	Nut	21	140-4428	4	Bracket-Mount, Bearing
9	321-37	4	Screw-HH	22	93-6859	5	Spacer
10	112-6924	1	Guard-Belt, Drive	23	140-2221-03	1	Gauge-Rotation
11	3234-29	2	Screw-HHF	24	140-2247	1	Decal-Position, Chute
12	3274-22	3	Screw-HSH	25	140-6685-07	1	Indicator
13	104-7201	8	Nut-HF	26	140-2220-01	1	Indicator
14	104-8300	14	Nut-HF, NI	27	119-6906	4	Screw-HSBH



Battery and Drive Shaft Assembly

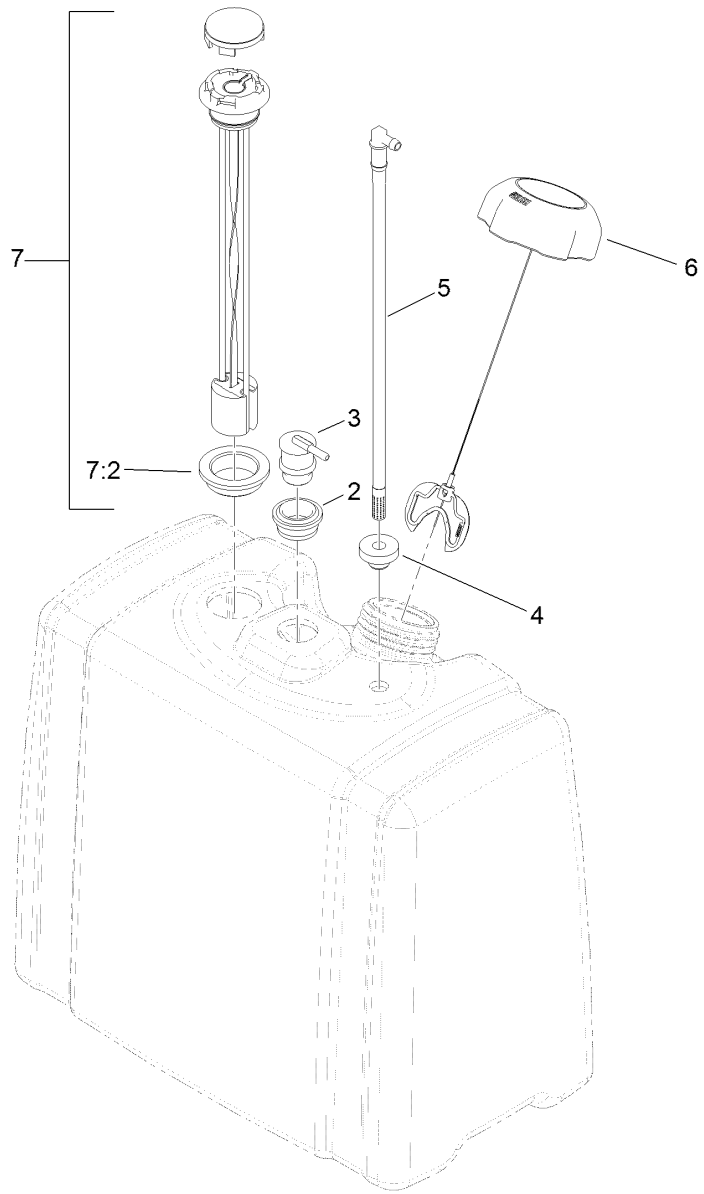
<i>Ref.</i>	<i>Part Number</i>	<i>Qty.</i>	<i>Description</i>	<i>Ref.</i>	<i>Part Number</i>	<i>Qty.</i>	<i>Description</i>
1	115-5124-03	1	Shaft-Drive	12	130-8569	1	Cover-Battery
2	104-8300	8	Nut-HF, NI	13	3290-467	2	Pin-Hair
3	322-39	4	Screw-HH	14	106-5187	1	Battery, 525 CCA W/O Electrolyte
4	131-6761	8	Washer	15	3257-5	2	Key-Woodruff
5	115-5129	4	Coupling-Rubber	16	138-6335	1	Retainer-Battery
6	323-7	2	Screw-HH	17	3231-5	1	Screw-CARR
7	114-2120	2	Washer	18	104-8301	1	Nut-HF, NI
8	131-6763	4	Spacer-Coupling, Rubber	19	130-0932-01	1	Bracket-Cover
9	131-6762	4	Spacer-Coupling, Rubber	20	107069	2	Clip
10	322-32	4	Screw-HH	21	321-4	2	Screw-HH
11	114-2122	2	Hub-Engine				



Engine, Muffler and Fuel Tank Assembly

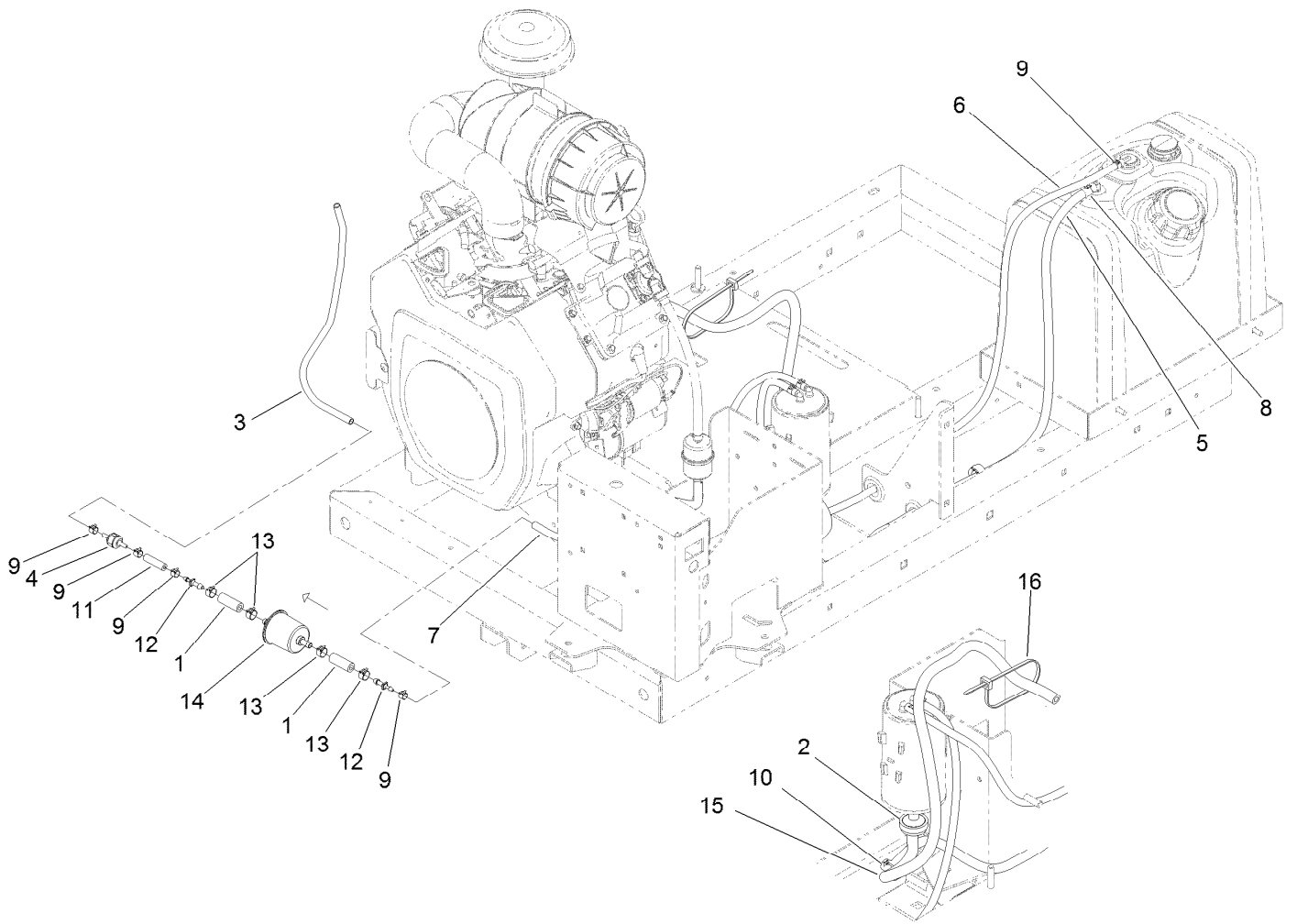
Ref.	Part Number	Qty.	Description	Ref.	Part Number	Qty.	Description
1	144-3302	1	Engine-Kohler ●	12	112-6876	1	Grill-Top
2	127-8685	1	Canister-Carbon	13	104-8300	8	Nut-HF, NI
3	66-9302	4	Screw-HHF, Whiz	14	92-1242	2	Decal
4	104-8301	4	Nut-HF, NI	15	115-9048	1	Fuel Tank ASM
5	112-6862	1	Muffler	16	119-6285	2	Strap-Hold Down, Tank
6	119-6171-03	1	Mount-Muffler	17	104-7201	8	Nut-HF
7	110-1718	4	Screw-HHF	18	140-6876-01	1	Mount-Tank, 5GA [red]
8	105-4886	2	Nut-Tinnerman	19	140-6766-01	1	Plate-Mount
9	80-6990	2	Washer-Hardened	20	3229-8	4	Screw-CARR
10	323-6	2	Screw-HH	21	3230-2	4	Bolt-CARR
11	33103-012	2	Screw-HHF				

● Obtain parts from www.kohlerplus.com



Fuel Tank Assembly No. 115-9048

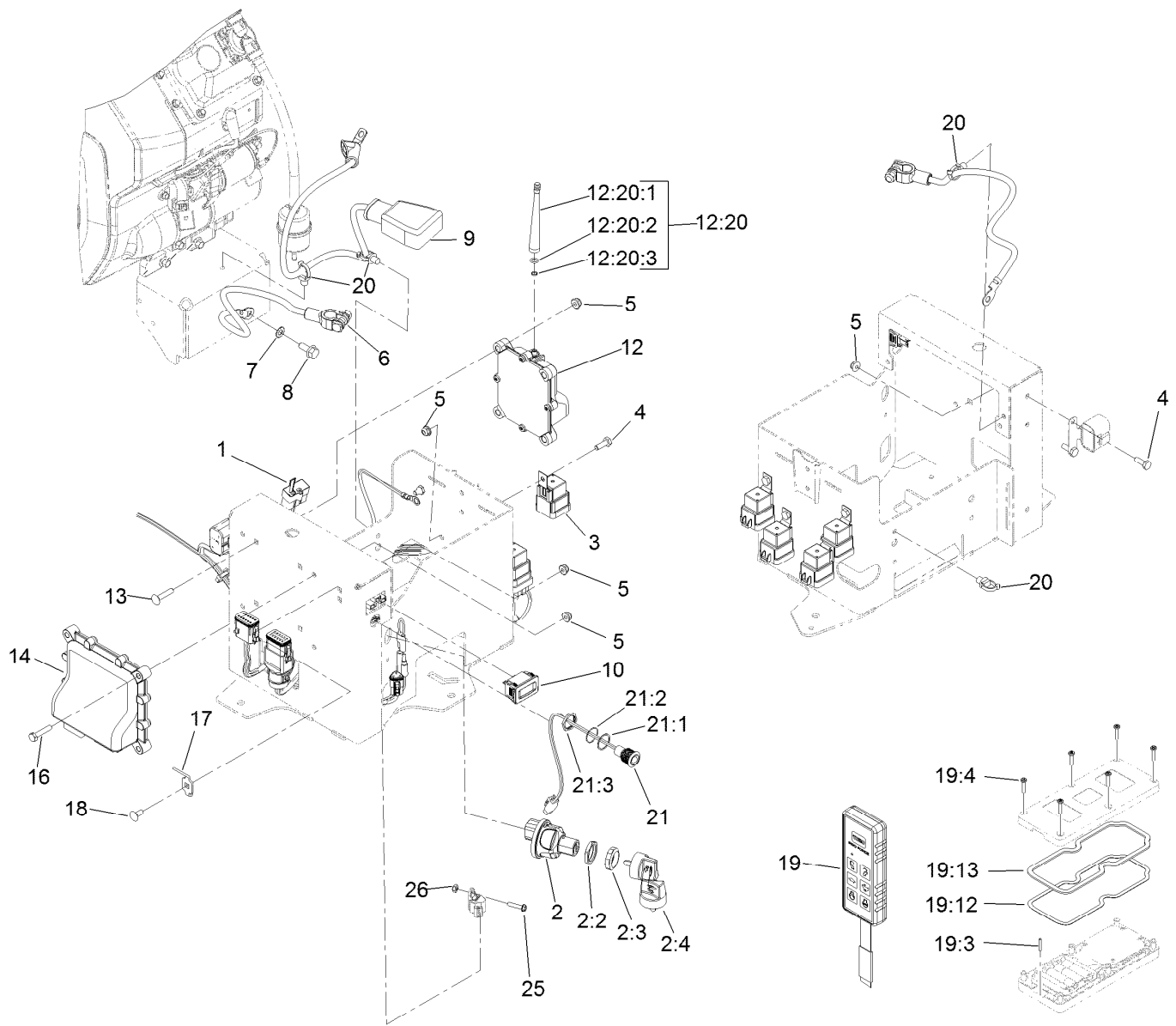
<i>Ref.</i>	<i>Part Number</i>	<i>Qty.</i>	<i>Description</i>
2	114-0284	1	Grommet
3	114-0285	1	Valve-Rollover
4	46-6560	1	Bushing
5	115-9044	1	Pipe-Stand
6	137-4127	1	Cap-Fuel
7	119-0509	1	Gauge ASM
7:2	119-0508	1	Seal



Fuel Delivery Assembly

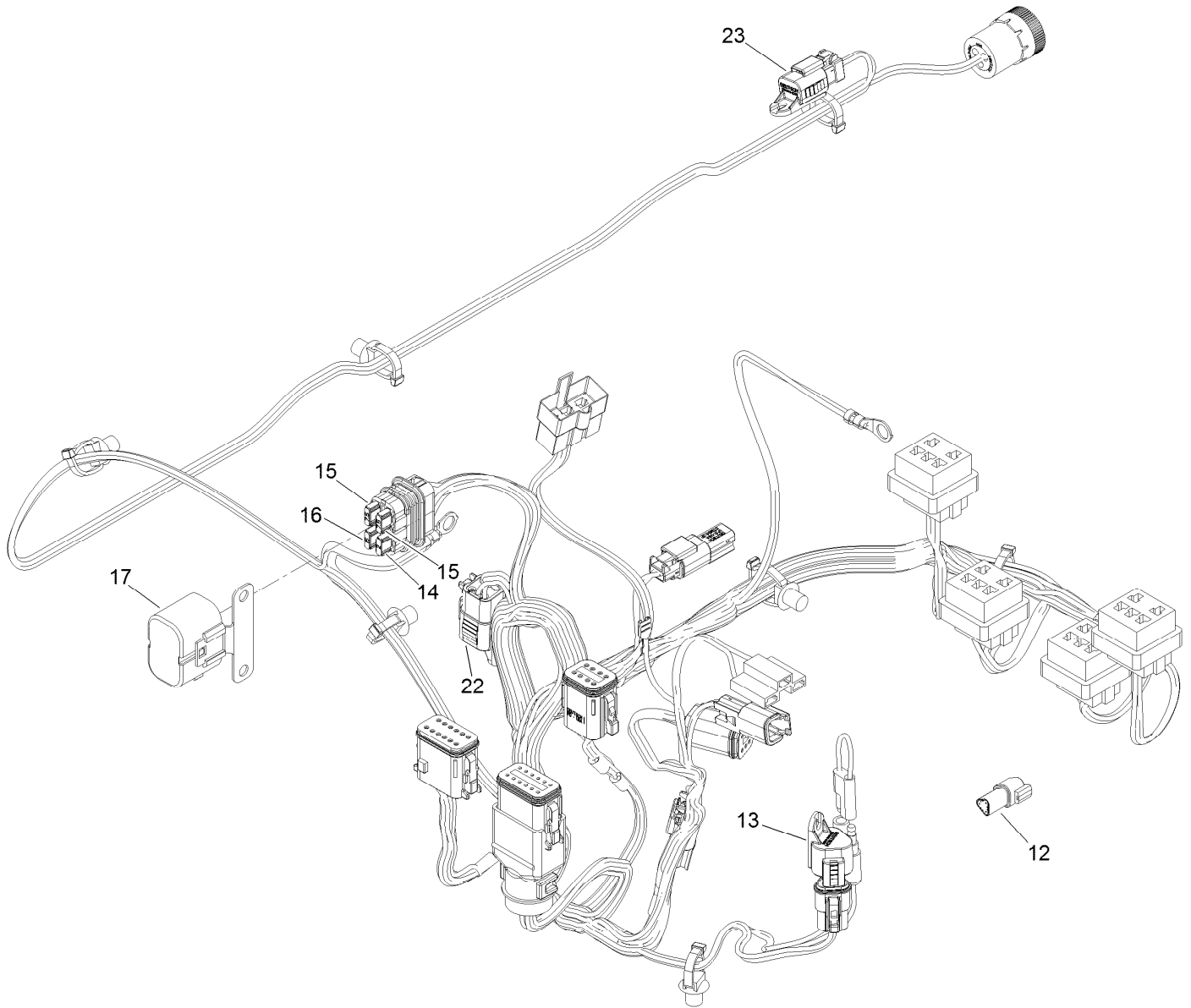
Ref.	Part Number	Qty.	Description
1	106-5317	3	Hose-Fuel
2	115-7854	1	Filter-Fuel, Inline
3	119-8150	1	Hose-Fuel
4	133-8499	1	Valve-Check, Vacuum
5	107-9298	1	Hose-Fuel
6	119-6073	1	Hose-Fuel
7	110-3254	1	Hose-Fuel
8	2412-98	2	Clamp-Hose

Ref.	Part Number	Qty.	Description
9	2412-80	5	Clamp-Hose
10	32180-030	6	Clip-Tie
11	119-8561	1	Hose-Fuel
12	106-8150	2	Fitting-Straight
13	92-2379	4	Clamp-Hose
14	120-2235	1	Filter-Fuel
15	110-4109	1	Hose-Fuel
16	3290-378	1	Tie-Cable



Electrical System Assembly

Ref.	Part Number	Qty.	Description	Ref.	Part Number	Qty.	Description
1	122-1747	1	Harness-Wire, Proforce Blower Rf2Can	13	3229-3	4	Screw-CARR
2	121-5159	1	Ignition Switch ASM	14	125-1360	1	Controller
2:2	121-5160	1	Nut-Hex	16	321-8	4	Screw-HH
2:3	121-5161	1	Nut-Face	17	121-2761	1	Mount-Transmitter
2:4	121-5162	1	Set-Key, Ignition	18	3229-11	1	Screw-CARR
3	99-7430	4	Relay-Mini	19	125-1270	1	Remote ASM
4	321-4	6	Screw-HH	19:3	121-2906	1	Pin-Lanyard
5	104-7201	15	Nut-HF	19:4	121-2908	6	Screw-PPH
6	125-5966	1	Cable-Battery, Negative	19:12	125-1294	1	Backer-Gasket
7	3255-8	1	Washer-Lock	19:13	125-1295	1	Gasket (HH-Small)
8	33104-020	1	Screw-HHF	20	32180-030	3	Clip-Tie
9	122-0629	1	Cable-Battery, Positive	21	122-0630	1	Red LED Indicator Lamp ASM
10	120-2244	1	Hourmeter	21:1	122-0634	1	Gasket-LED
12	132-9600	1	Controller	21:2	122-0633	1	Washer-Locking
12:20	140-6605	1	Antenna Service Kit	21:3	122-0632	1	Nut-Fixing
12:20:1	125-1567	1	Antenna	25	106-9169	1	Screw-HWH
12:20:2	127-2323	1	O-Ring	26	3296-12	1	Nut-Lock, NI
12:20:3	127-2506	1	Spacer				



Wire Harness Assembly No. 122-1747

<i>Ref.</i>	<i>Part Number</i>	<i>Qty.</i>	<i>Description</i>
12	32180-043	2	Resistor-120 Ohm
13	32180-089	1	Cap-Plug, 3 Way
14	121-8861	1	Fuse-Mini Blade, 2 Amp
15	121-8865	2	Fuse-Mini Blade, 7.5 Amp
16	121-8867	1	Fuse-Mini Blade, 15 Amp
17	32180-179	1	Cover-Bussman
22	32180-156	1	Cap-Plug, 6 Way
23	32180-091	1	Cap-Dust, 2 Way

Attachments and Accessories

For 44552 Pro Force Debris Blower

Product Name	Model/Part
Tapered Nozzle Kit.....	119-6280
Rectangular Nozzle Kit	119-6281
10 Gallon Kit, Pro Force Debris Blower.....	130-4371
Alignment Tool Asm	137-6616
Safety Chain Kit.....	139-3179
Chute Position Indicator Kit.....	140-2257
Spark Arrestor Screen	94-8157



Count on it.