



**Count on it.**

**Parts Catalog**

**52in (7 GPM) Sprayer  
Spray Master Max**

Model No. 34237—Serial No. 40000000 and Up



# Ordering Replacement Parts

To order replacement parts, please supply the part number, the quantity, and the description of each part desired.

## **Understanding Reference Numbers**

Each identified part in an illustration has a reference number. The reference number for a part also appears in the parts list, along with other information about the part.

This catalog uses two special reference number formats, one to indicate parts in a service assembly and another to indicate the quantity of a given part in an illustration.

## **Service Assembly Reference Numbers**

Parts in service assemblies have reference numbers in the form a:b. The a represents the reference number of the entire service assembly and the b represents a sequential number unique to each part within the service assembly.

For example, a wheel assembly might be identified by reference number 6, the tire by 6:1, the valve by 6:2, and the wheel by 6:3. When you order the assembly identified by reference number 6, you receive all parts identified by reference numbers 6:1, 6:2, and 6:3. However, you may also order any part individually. Reference numbers of this type appear in illustration and in parts lists.

## **Reference Numbers Indicating Quantity**

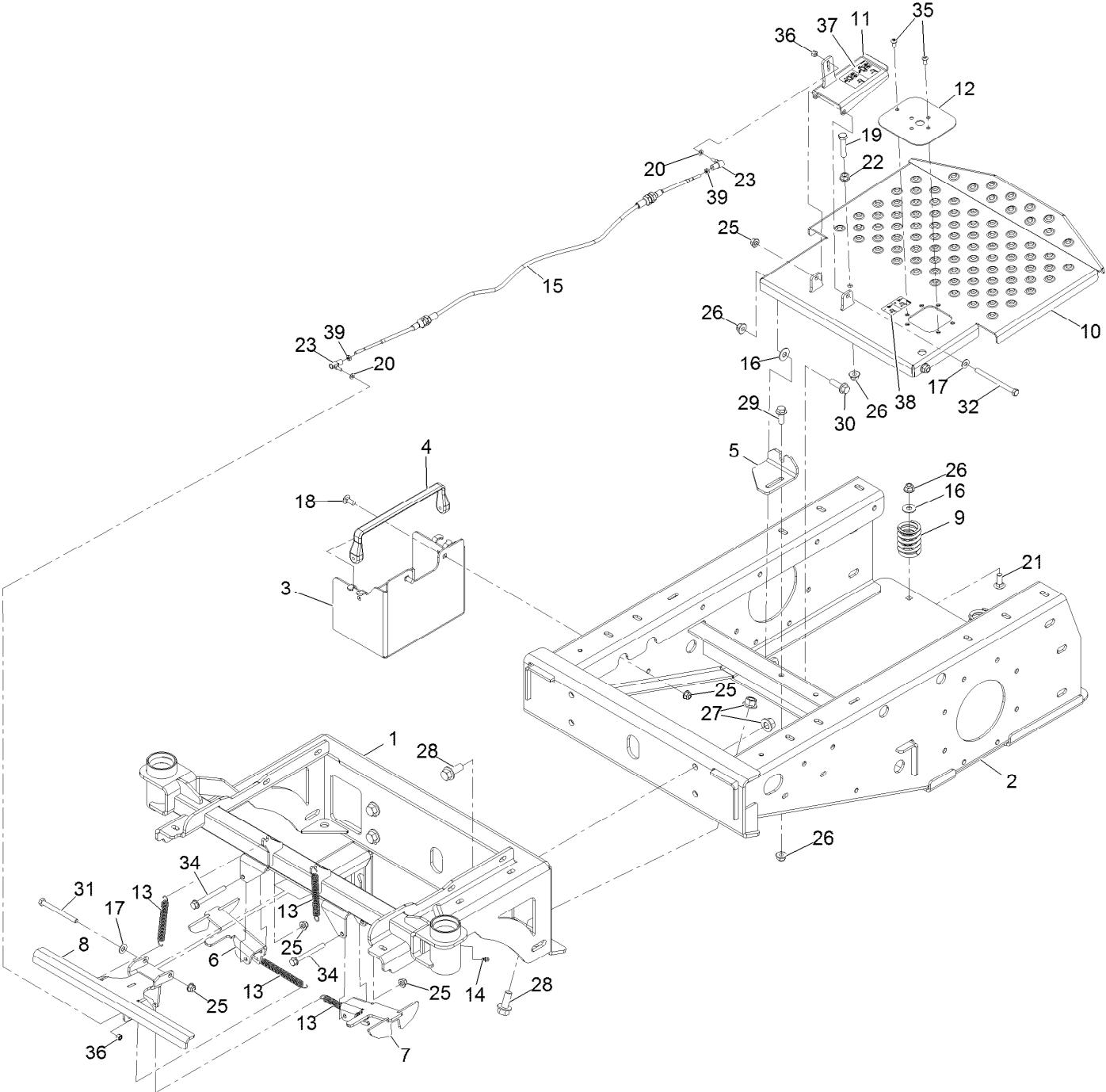
In an illustration, if a reference number indicates more than one part, the reference number has the form nX y. The n represents the quantity of the part, the X is the multiplication symbol, and the y represents the reference number.

For example, in an illustration, the reference number 2X 37 means that two of the parts identified by reference number 37 are indicated.

# Contents

Main Frame Assembly . . . . .	4
Engine Assembly . . . . .	6
Hydraulic Assembly . . . . .	8
Park Brake Assembly . . . . .	10
Electrical Assembly . . . . .	12
Motion Control Assembly . . . . .	14
Tire and Wheel Assembly . . . . .	16
Fuel Assembly . . . . .	18
Fuel Tank Assembly No. 140-4343 . . . . .	20
Spray System Assembly . . . . .	22
Tank Hose Reel Assembly . . . . .	24
Reel Hose Assembly . . . . .	26
Manifold Assembly . . . . .	28
Spray Boom Assembly . . . . .	30
Liquid Valve Assembly . . . . .	32
Hopper Assembly . . . . .	34
Attachments and Accessories . . . . .	36

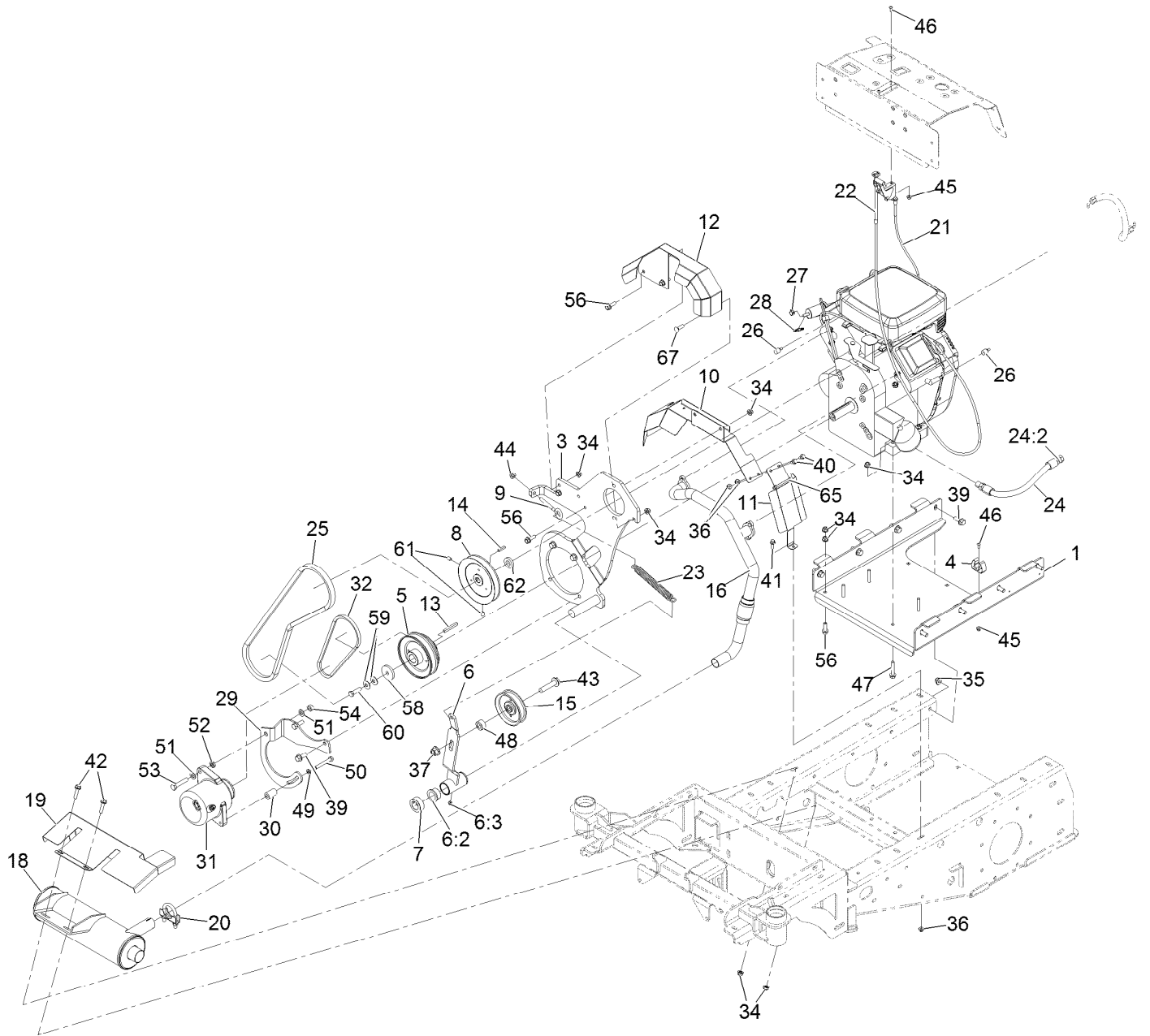
# Main Frame Assembly



## Main Frame Assembly (continued)

<i>Ref.</i>	<i>Part Number</i>	<i>Qty.</i>	<i>Description</i>	<i>Ref.</i>	<i>Part Number</i>	<i>Qty.</i>	<i>Description</i>
1	135-5179	1	Frame-Front	23	135-5682	2	Ball Joint-SS
2	135-5171	1	Frame-Rear	25	135-6109	6	Nut-Hex Flg 5/16-18 Nyloc SS
3	142-3038	1	Box-Battery	26	135-6110	7	Nut-Hex Flg 3/8-16 SS W/Patch SS
4	142-1748	1	Strap, Tarp	27	135-6111	6	Nut-Hex Flg 3/8-16 SS W/Patch SS
5	135-5494	1	Bracket-Cable, Lower	28	135-6207	6	Screw-HHF 5/16-18 X 1 1/4 SS
6	135-5195	1	Wing-Capture, Rt	29	135-6208	1	Screw-HHF 3/8-16 X 1 Serrated SS
7	135-5194	1	Wing-Capture, Lt	30	135-6211	2	Screw-HHF 3/8-16 X 1 1/4 Serrated SS
8	135-5369	1	Capture-Lcs	31	135-6217	1	Screw-HH 5/16-18 X 3 1/2 SS
9	135-5654	3	Spring-Compression	32	135-6218	1	Screw-HH 5/16-18 X 4 SS
10	135-7502	1	Plate-Foot	34	135-6222	2	Screw-HHF 5/16-18 X 3 Serrated SS
11	135-5191	1	Pedal-Foot	35	135-6367	2	Screw-Button Head 1/4-20 X 1/2 SS
12	135-5561	1	Panel-Switch, Foot	36	HDW05856	2	Nut-Hex Nyl Ins #10-32 Unf
13	135-5652	4	Spring-Extension	37	135-6430	1	Decal-Lock, Caster
14	302-63	2	Zerk	38	135-6728	1	Decal-Button, Foot (Spray)
15	135-5644	1	Cable-Caster, Locking	39	520-0019	2	Nut-Hex Jam #10-32 Unf
16	1126	5	Washer-Flat				
17	107-0279	2	Washer				
18	126-0695	2	Screw-Carriage 5/16-18 X 3/4 SS				
19	126-0710	1	Screw-HHF 3/8-16 X 1.75 SS				
20	126-0759	2	Washer-Flat				
21	126-0980	3	Bolt-Carriage 3/8-16 X 1 SS				
22	135-6806	1	Nut-Hex Flange 3/8-16 Serrated SS				

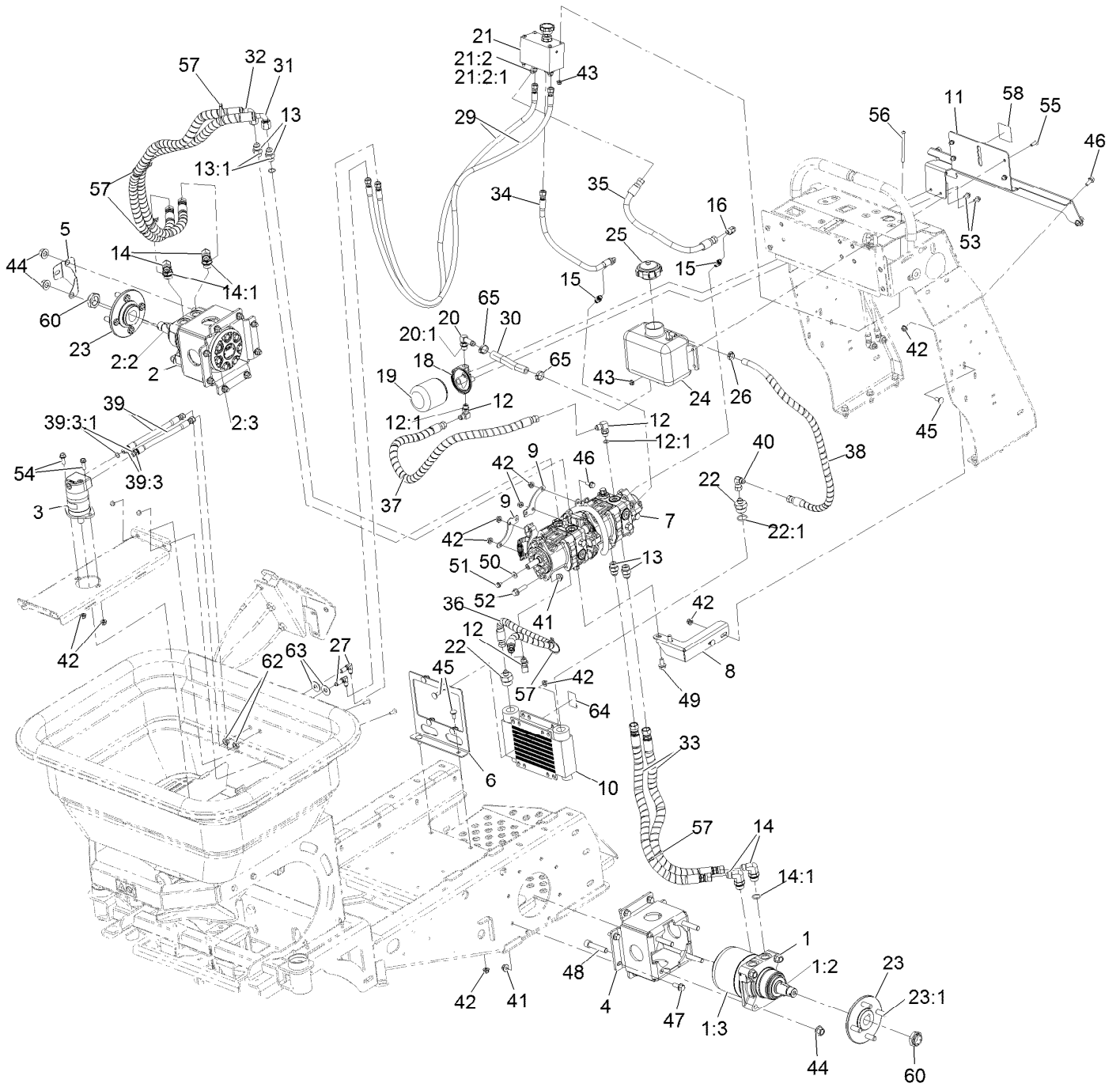
# Engine Assembly



## Engine Assembly (continued)

<i>Ref.</i>	<i>Part Number</i>	<i>Qty.</i>	<i>Description</i>	<i>Ref.</i>	<i>Part Number</i>	<i>Qty.</i>	<i>Description</i>
1	135-5492	1	Tray-Engine	36	135-6108	3	Nut-Hex Flg 1/4-20 Nyloc SS
3	135-5453-03	1	Bracket-Engine, Pump	37	99-5107	1	Nut-Lock 1/2-13
4	135-5661	1	Holder-Tool, Clip	39	135-6208	12	Screw-HHF 3/8-16 X 1 Serrated SS
5	135-6394	1	Pulley-Double	40	135-6280	2	Screw-HHF 1/4-20 X 1/2 Serrated SS
6	135-5669	1	Tension Arm ASM	41	135-6221	1	Screw-HHF 1/4-20 X 3/4 Serrated SS
6:2	256-132	2	Bushing-Flange	42	135-6261	2	Screw-HHF 5/16-18 X 1 1/4 Serrated SS
6:3	302-63	1	Zerk	43	3234-46	1	Screw-HHF 1/2-13 X 2 1/4
7	135-5382	1	Collar	44	104-8300	1	Nut-Nyloc 5/16-18 Flg
8	135-5663	1	Pulley-Drive, Pump	45	135-6342	3	Nut-Hex Flg #10-24 Nyloc SS
9	135-5667	1	Bolt-Eye	46	135-6374	3	Screw-Button Head #10-24 X 1/2 SS
10	135-5565	1	Guard-Muffler, Lower	47	135-5779	4	Screw-HHF 5/16-18 X 1 3/4 Serrated SS
11	135-5566	1	Guard-Muffler, Lower	48	116-2959	1	Spacer
12	142-3320	1	Guard-Pulley	49	3253-4	1	Washer-Lock 5/16
13	103-4177	1	Key	50	120-9642	1	Screw-HH
14	1-807272	1	Key-5Mm X 5Mm X 25Mm	51	33095-00	2	Washer-Flat
15	135-5662	1	Pulley-Idler, Flat	52	110-9346	1	Nut-Jam M10 Thin
16	135-7089	1	Manifold-Exhaust	53	33115-050	1	Screw-HH M10-1.5 X 50Mm
18	135-7090	1	Muffler	54	33025-00	1	Nut-Lock, NI
19	135-5568	1	Shield-Heat, Muffler	56	135-6272	5	Screw-HHF 5/16-18 X 1 Serrated SS
20	2112-11	1	Clamp-Muffler	58	110-9981	1	Washer-Plain
21	135-5260	1	Cable-Throttle	59	3290-340	2	Washer-Belleville
22	135-5707	1	Cable-Choke	60	3211-5	1	Screw-HH 3/8-24 X 1 1/4
23	135-5780	1	Spring-Extension	61	3246-17	2	Screw-Set 5/16-24 X 1/2
24	135-5365	1	Oil Drain Hose ASM (W/Plug)	62	1-323539	1	Spacer-Blade Drive
24:2	AU218-774	1	Plug	65	3290-378	1	Tie-Cable
25	135-5664	1	Belt-V	67	HDW17294	1	Bolt-Carriage 5/16-18 X 1 SS
26	135-5677	2	Tube-Shrink, Heat				
27	2412-98	1	Clamp-Hose				
28	120-1996	1	Fitting-STR				
29	135-5929	1	Bracket-Alternator				
30	135-5930	1	Tube-Support, Alternator				
31	135-6057	1	Alternator				
32	135-6613	1	Belt-V, 3L240				
34	135-6109	13	Nut-Hex Flg 5/16-18 Nyloc SS				
35	135-6110	8	Nut-Hex Flg 3/8-16 SS W/Patch SS				

# Hydraulic Assembly



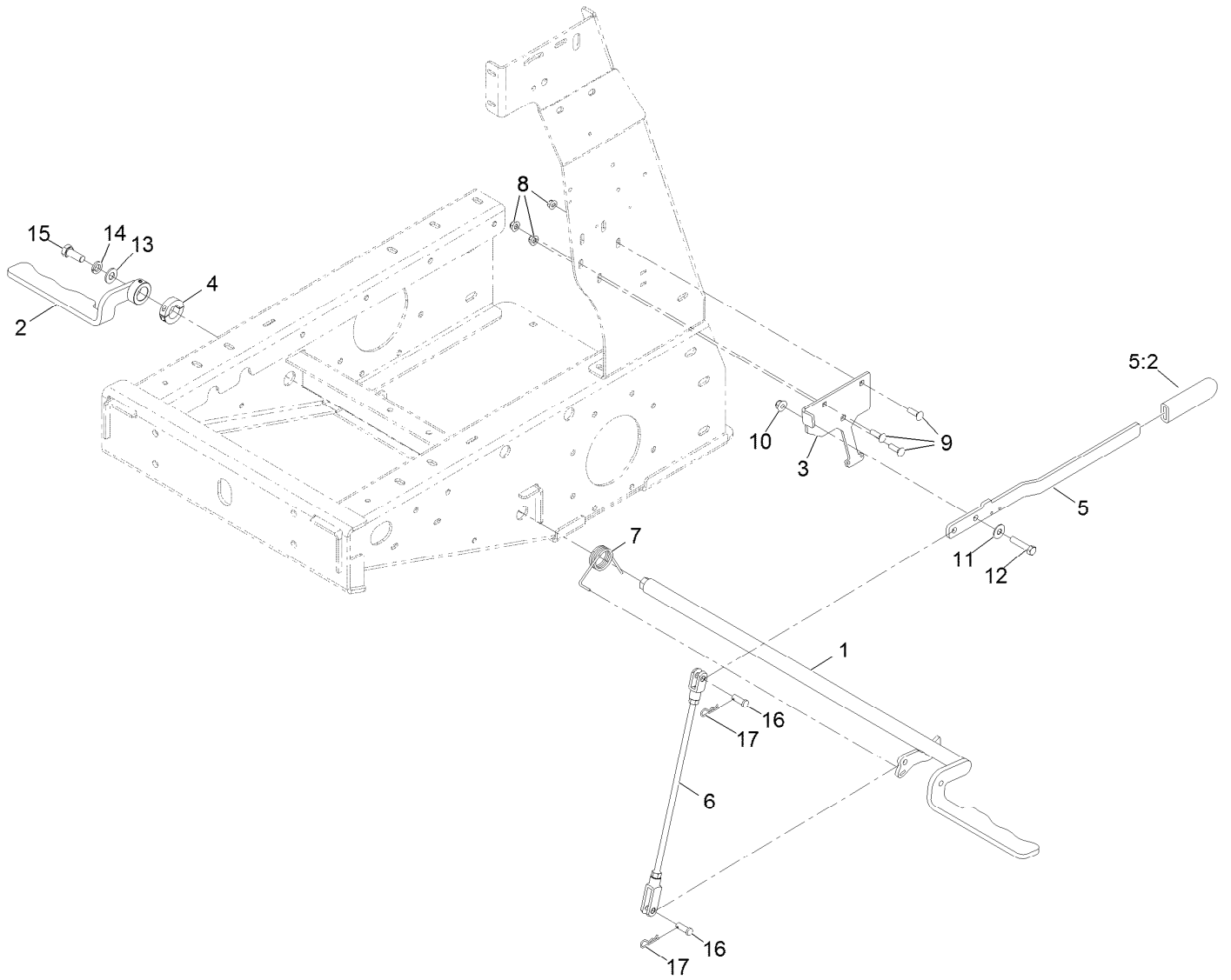


## Hydraulic Assembly (continued)

<i>Ref.</i>	<i>Part Number</i>	<i>Qty.</i>	<i>Description</i>	<i>Ref.</i>	<i>Part Number</i>	<i>Qty.</i>	<i>Description</i>
1	135-5230	1	Motor-Wheel, LH	26	135-5757	1	Clamp-Oetiker, 167
1:2	3257-42	1	Key-Woodruff	27	135-5796	2	Fitting-Elbow, 90
1:3	103-6994	1	Seal Kit	29	142-3111	2	Hose ASM, HYD HP
2	135-5231	1	Motor-Wheel, RH	30	109-5577	1	Hose-Hydraulic
2:2	3257-42	1	Key-Woodruff	31	142-3115	1	Hose ASM-HYD HP
2:3	103-6994	1	Seal Kit	32	142-3116	1	Hose ASM-HYD HP
3	135-5243	1	Motor-Hydraulic, Spreader	33	142-3114	2	Hose ASM-HYD HP
4	135-5448-03	2	Mount-Motor, Wheel [black]	34	142-3113	1	Hose ASM-HYD HP
5	135-5574	1	Bracket-Hopper, Speedometer Sensor	35	135-5361	1	Hose ASM, HYD LP
6	135-6483	1	Mount-Cooler	36	135-5384	1	Hose ASM, HYD LP
7	135-5665	1	Pump-Tandem	37	135-5385	1	Hose ASM, HYD LP
8	135-5551	1	Bracket-Support, Hydro Pump	38	135-5456	1	Hose ASM, HYD LP
9	135-5558	2	Extension-Pump, Hydro	39	142-3112	2	Hose ASM-HYD HP
10	135-5679	1	Cooler-Oil	39:3		1	Fitting-Straight, Rigid ●
11	135-5550	1	Mount-Tank And Filter, Hydraulic	39:3:1	237-42	1	O-Ring
12	103-1802	3	Fitting-Elbow, 90 DEG	40	AU218-980	1	Fitting-Swivel, 90 DEG
12:1	237-42	1	O-Ring	41	135-6110	18	Nut-Hex Flange
13	353-388	4	Fitting-Straight	42	135-6109	18	Nut-Hex Flange
13:1	237-79	1	O-Ring	43	135-6108	8	Nut-Hex Flange
14	353-426	4	Fitting-90 DEG	44	99-5107	8	Nut-Lock
14:1	237-80	1	O-Ring	45	126-0695	8	Screw-CARR
15	353-545	2	Fitting-Straight	46	126-2712	8	Screw-HHF
16	135-5680	1	Fitting-Swivel, 90 DEG	47	135-6208	16	Screw-HHF
18	104-7836	1	Head-Filter	48	3274-71	8	Screw-HSH
19	114-3494	1	Element-Filter, 25 Micron	49	135-6274	2	Screw-HHF
20	109-6449	1	Fitting-Elbow, 90	50	135-6273	1	Washer
20:1	237-42	1	O-Ring	51	81-1280	1	Screw-HHF
21	135-5256	1	Manifold-Hopper, W/Out Relief	52	135-6278	2	Screw-HHF
21:2	353-212	1	Fitting-Elbow, 45 DEG	53	135-6280	2	Screw-HHF, 1/4-20 X 1/2, Ser Flg, SS
21:2:1	237-42	1	O-Ring	54	135-6272	2	Screw-HHF
22	AU218-5044	2	Adapter-Straight	55	135-7080	4	Screw-Hsbhf
22:1	237-81	1	O-Ring	56	135-6385	4	Screw-HSBH
23	135-7525	2	Hub-Wheel	57	3290-378	6	Tie-Cable
23:1	135-7526	4	Stud-1/2-20 X 1.55	58	135-6398	1	Decal-Oil
24	135-5712	1	Tank-Hydraulic, Plastic	60	116-1399	2	Locknut
25	135-5713	1	Cap-Vented	62	3220-4	2	Nut-Jam
				63	135-5586	2	Washer
				64	106-5517	1	Decal-Warning
				65	135-5692	2	Clamp-Oetiker, 167

● Not serviced separately

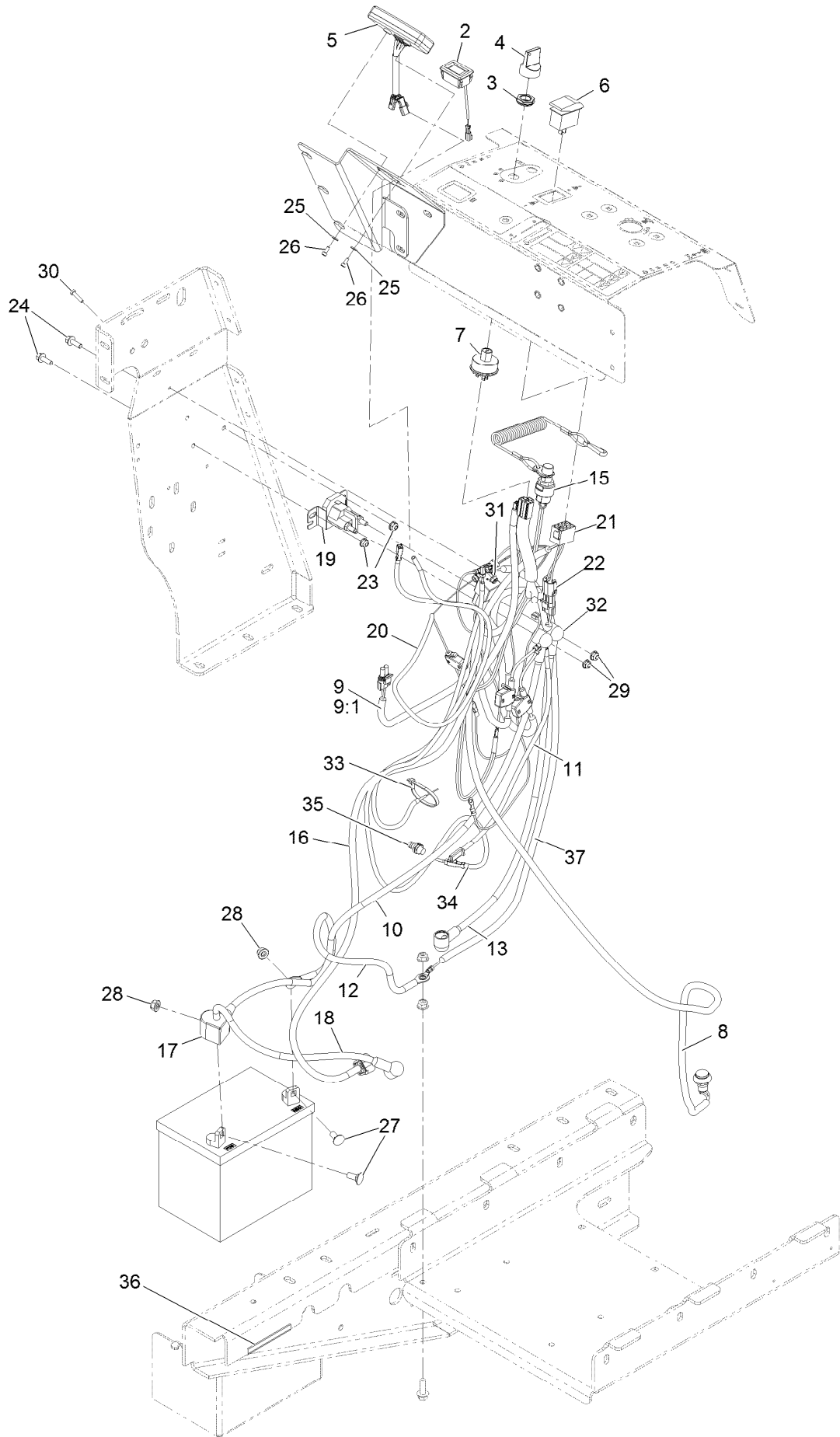
# Park Brake Assembly



## Park Brake Assembly (continued)

<i>Ref.</i>	<i>Part Number</i>	<i>Qty.</i>	<i>Description</i>	<i>Ref.</i>	<i>Part Number</i>	<i>Qty.</i>	<i>Description</i>
1	135-5380-03	1	Arm-Brake, Lt	10	104-8301	1	Nut-HF, NI
2	135-5376-03	1	Arm-Brake, Rt	11	1126	1	Washer-Flat
3	135-5432	1	Bracket-Handle, Brake	12	323-52	1	Screw-HH
4	116-7271	1	Collar-Locking	13	3256-26	1	Washer-Flat
5	135-6059	1	Brake Handle ASM	14	3253-7	1	Washer-Lock
5:2	1-633268	1	Grip-Lever	15	106-0378	1	Screw
6	135-6066	1	Brake Rod ASM	16	1-808284	2	Pin-Clevis
7	135-6106	1	Spring-Torsion	17	135-6284	2	Pin-Hair
8	135-6109	3	Nut-Hex Flange				
9	HDW17294	3	Bolt,Carriage,5/16-18X1,ST/ST 18-8				

# Electrical Assembly

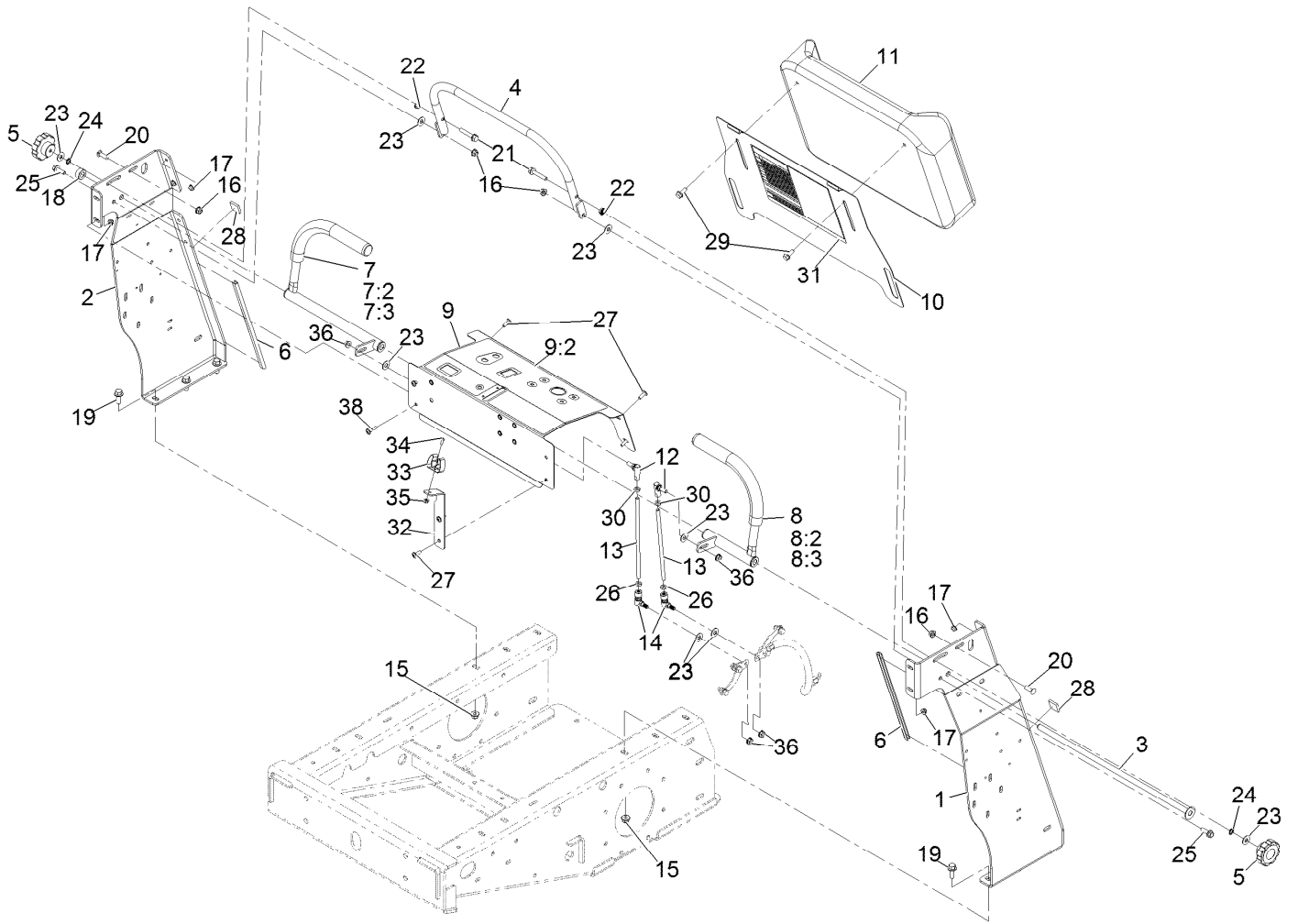


## Electrical Assembly (continued)

<i>Ref.</i>	<i>Part Number</i>	<i>Qty.</i>	<i>Description</i>	<i>Ref.</i>	<i>Part Number</i>	<i>Qty.</i>	<i>Description</i>
2	135-5259	1	Meter-Tach/Hour	23	135-6108	2	Nut-Hex Flg 1/4-20 Nyloc SS
3	135-5715	1	Nut-Switch, Key	24	135-6221	2	Screw-HHF 1/4-20 X 3/4 Serrated SS
4	1-603511	1	Key-Ignition	25	126-0759	2	Washer-Flat
4	135-5708	1	Key-Umbrella	26	135-6357	2	Screw-HSH M4-0.7 X 10Mm
5	135-8900	1	Striker-Head Only	27	126-0695	2	Screw-Carriage 5/16-18 X 3/4 SS
6	100-8469	1	Switch-Rocker	28	135-6109	2	Nut-Hex Flg 5/16-18 Nyloc SS
7	135-6052	1	Switch-Ignition	29	104-7201	2	Nut-Nyloc 1/4-20 Flg
8	135-6054	1	Switch-Push Button	30	135-6356	1	Screw-HH #10-24 X 3/4 SS
9	135-6113	1	Harness-Main	31	135-6342	1	Nut-Hex Flg #10-24 Nyloc SS
9:1	135-6270	1	Relay-Mini ISO Pwr, 5M	32	1-543393	4	Insulator-Solenoid
10	135-6114	1	Cable-Positive	33	3290-378	11	Tie-Cable
11	135-6115	1	Wire-Solenoid	34	135-8898	1	Cable-Sensor, Trail Tech
12	135-6116	1	Cable-Ground	35	135-8903	1	Magnet-Speedometer
13	135-6117	1	Cable-Positive	36	135-7557	1	Strip-Trim, 3.5"
15	135-6121	1	Switch-Op	37	135-3998	1	Harness-Wire, Jumper
16	135-6120	1	Harness, Alternator	99	135-7317	1	Manual-User, Striker ●
17	135-2304	1	Insulator-Battery	99	135-7318	1	Card-Striker, Quick Start ●
18	135-6119	1	Cable-Positive				
19	135-6189	1	Solenoid-Starter				
20	135-6443	1	Harness-Striker				
21	32160-008	1	Connector-Carling, 8F				
22	32160-072	1	Connector-Wp,2M				

● Not illustrated

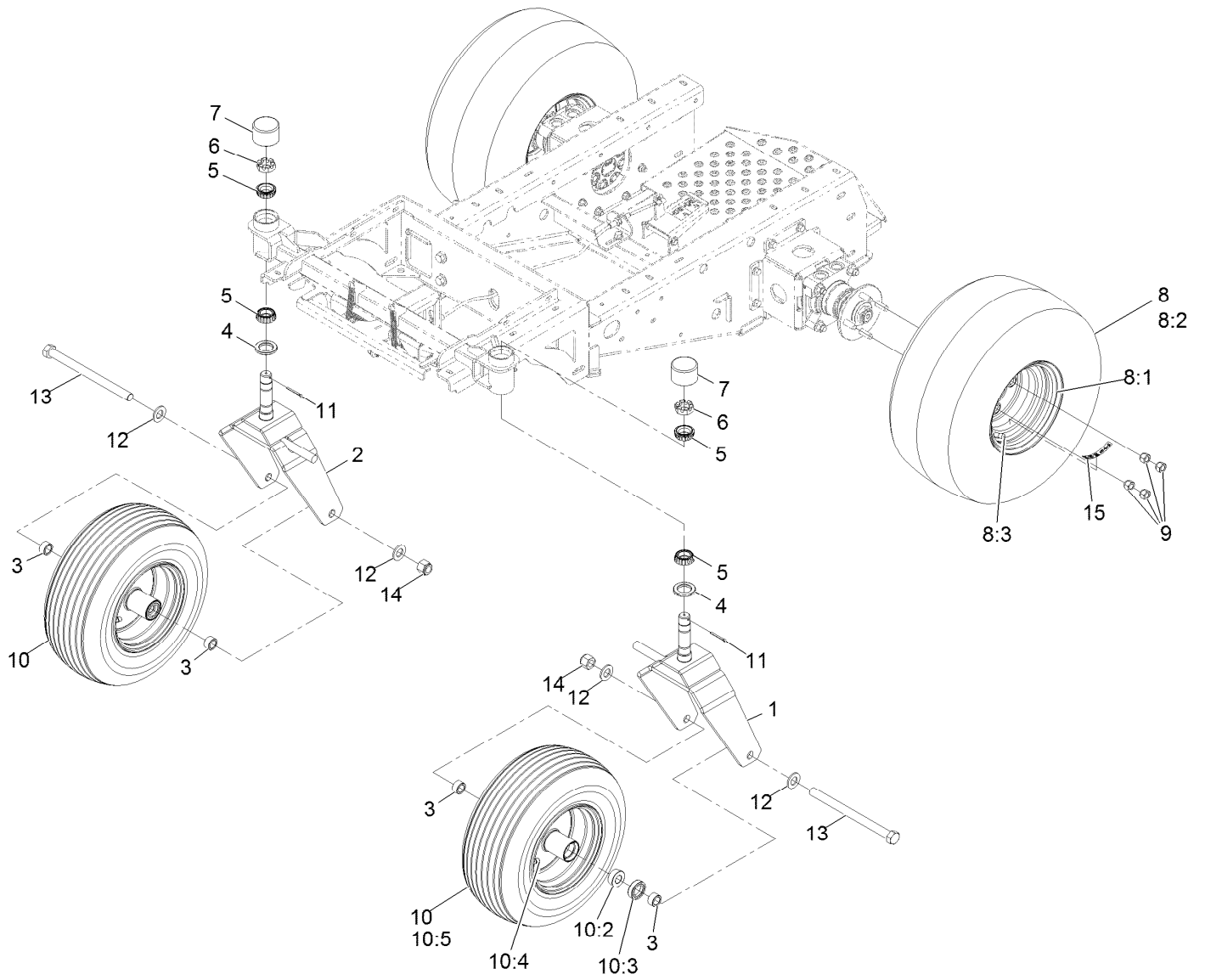
# Motion Control Assembly



## Motion Control Assembly (continued)

<i>Ref.</i>	<i>Part Number</i>	<i>Qty.</i>	<i>Description</i>	<i>Ref.</i>	<i>Part Number</i>	<i>Qty.</i>	<i>Description</i>
1	135-5423-05	1	Upright-Tower, Lt [blk-Txt]	18	135-6192	1	Collar
2	135-5425-05	1	Upright-Tower, Rt [blk-Txt]	19	135-6208	6	Screw-HHF
3	135-5430	1	Rod-Pivot, Joy Stick	20	HDW17294	2	Bolt, Carriage, 5/16-18X1, ST/ST 18-8
4	135-5427-05	1	Bar-Speed [blk-Txt]	21	135-5779	2	Screw-HHF
5	135-5689	2	Knob-Fluted	22	118-1722	2	Nut-Hex Flange
6	135-5336	2	Strip-Trim, 12.0 Inch	23	HDW14535	8	Flat Washer, 5/16 Nom, ST/ST, 18-8
7	135-5738	1	Stick-Joy, Rt	24	135-6286	2	Washer-Lock
7:2	1-633257	1	Grip-Control, Motion	25	135-6272	2	Screw-HHF
7:3	135-5694	2	Bushing-Flange	26	107-0282	2	Nut-Hex
8	135-5739	1	Stick-Joy, Lt	27	135-7080	6	Screw-Hsbhf
8:2	1-633257	1	Grip-Control, Motion	28	93-9155	2	Velcro
8:3	135-5694	2	Bushing-Flange	29	126-2712	2	Screw-HHF
9	142-3142	1	ASM-Panel, Control	30	135-6512	2	Nut-Hex
9:2	135-6223	1	Decal-Panel, Control	31	142-3313	1	Decal-Chart, Spray
10	135-5498-05	1	Plate-Pad, Knee	32	135-5506-05	1	Mount-Gun
11	135-7884	1	Pad-Knee	33	135-5661	1	Holder-Tool, Clip
12	135-5257	2	Balljoint-SS	34	135-6374	1	Screw-HSBH
13	135-5681	2	Rod-Control, Motion	35	135-6342	1	Nut-Hex Flange
14	135-5718	2	Ball Joint-Quick Disconnect, SS	36	107-0380	4	Nut-HHF
15	135-6110	6	Nut-Hex Flange	38	135-7081	2	Screw-Hsbhf
16	135-6109	4	Nut-Hex Flange				
17	135-6108	8	Nut-Hex Flange				

# Tire and Wheel Assembly

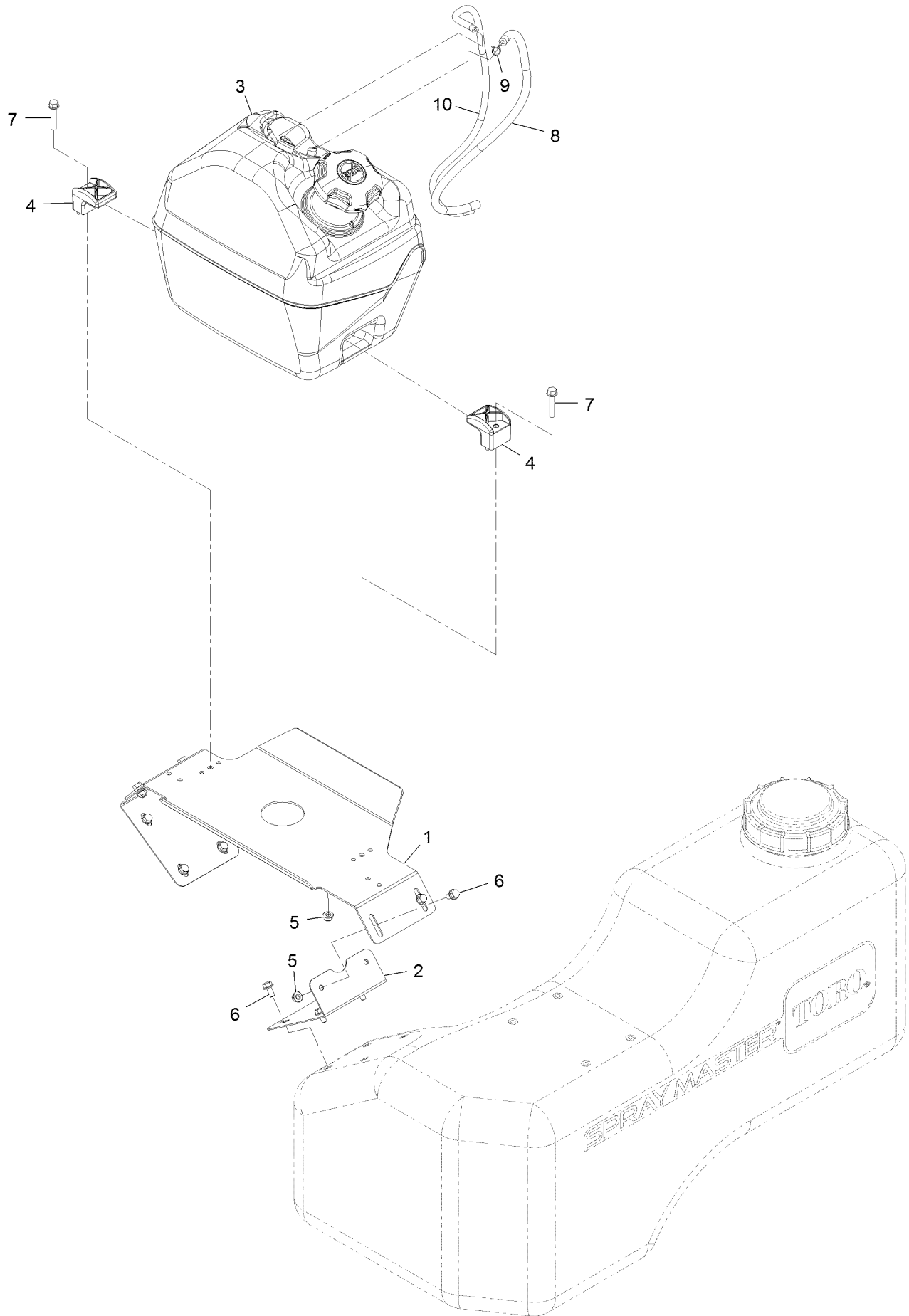




## Tire and Wheel Assembly (continued)

<i>Ref.</i>	<i>Part Number</i>	<i>Qty.</i>	<i>Description</i>	<i>Ref.</i>	<i>Part Number</i>	<i>Qty.</i>	<i>Description</i>
1	135-5441-05	1	Caster-Lt [blk-Txt]	10	135-5974	2	Wheel And Tire ASM
2	135-5446-05	1	Caster-Rt [blk-Txt]	10:2	1-633585	2	Bearing-Cone, Taper
3	135-5683	4	Spacer-Axle	10:3	103-0063	2	Seal-Caster
4	1-543511	2	Seal-Grease	10:4	5108	1	Valve
5	254-92	4	Cone-Bearing, Outer	10:5	135-5976	1	Tire-Rib
6	1-809082	2	Nut-SHH	11	135-6292	2	Pin-Cotter
7	135-5756	2	Cap-Dust, Rubber	12	3256-28	4	Washer-Flat
8	135-5968	2	Wheel And Tire ASM	13	135-6300	2	Screw-HH
8:1	135-5969	1	Rim-8 X 7, Black	14	3296-51	2	Nut-Lock, NI
8:2	120-6466	1	Tire	15	126-2055	2	Decal-Torque, Wheel Hub Lug
8:3	232-27	1	Stem-Valve				
9	242-50	8	Nut-Lug				

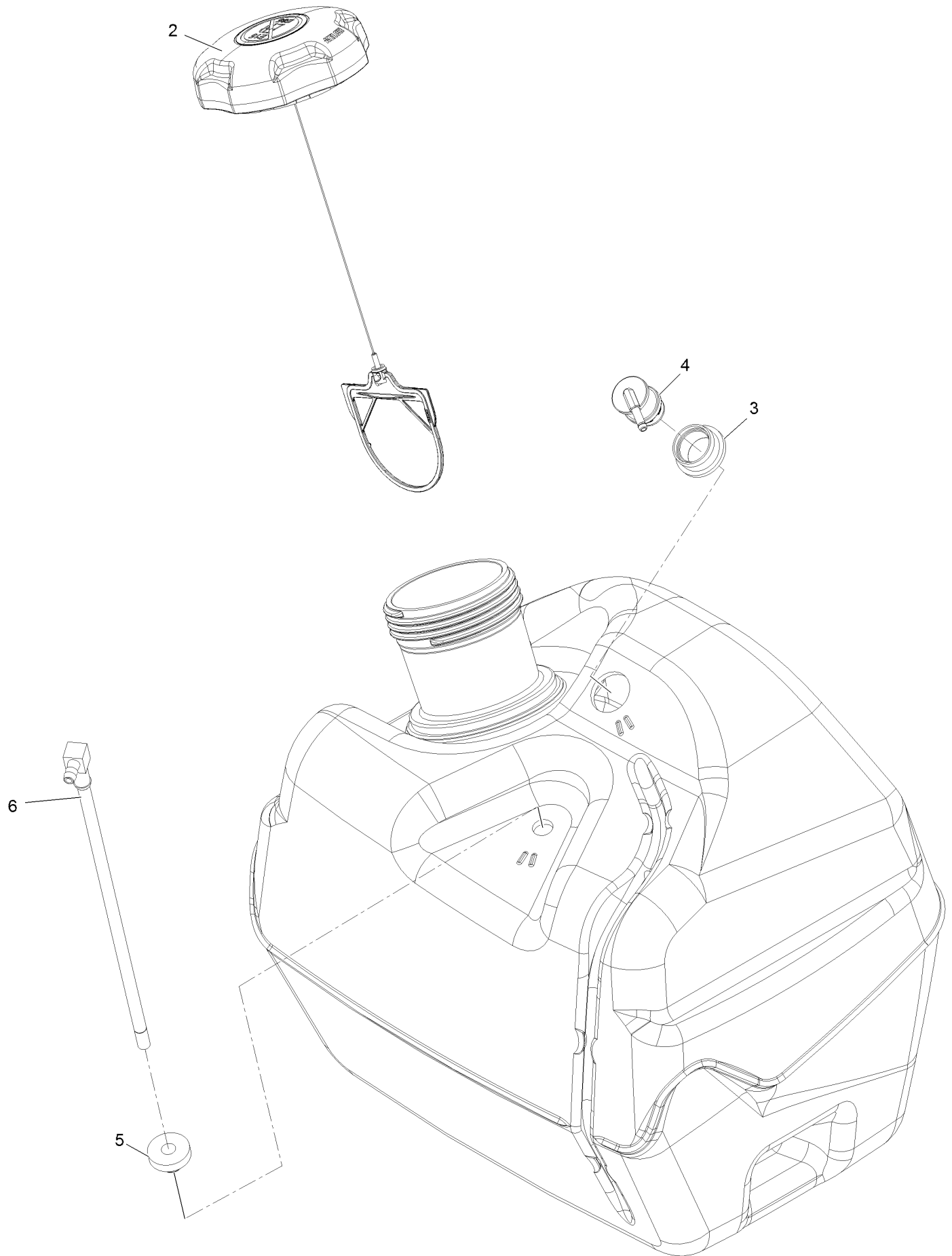
# Fuel Assembly



## Fuel Assembly (continued)

<i>Ref.</i>	<i>Part Number</i>	<i>Qty.</i>	<i>Description</i>	<i>Ref.</i>	<i>Part Number</i>	<i>Qty.</i>	<i>Description</i>
1	142-2975	1	Support-Fuel Tank	7	135-5779	2	Screw-HHF 5/16-18 X 1 3/4 Serrated SS
2	135-5555	2	Bracket-Support, Gas Tank	8	109-1395	1	Hose-Fuel Line 27"
3	140-4343	1	Fuel Tank ASM, 5 Gal	9	2412-98	1	Clamp-Hose
4	107-4543	2	Clamp	10	117-9569	1	Hose-Fuel
5	135-6109	6	Nut-Hex Flg 5/16-18 Nyloc SS				
6	135-7086	12	Screw-HHF 5/16-18 X 5/8 Serrated SS				

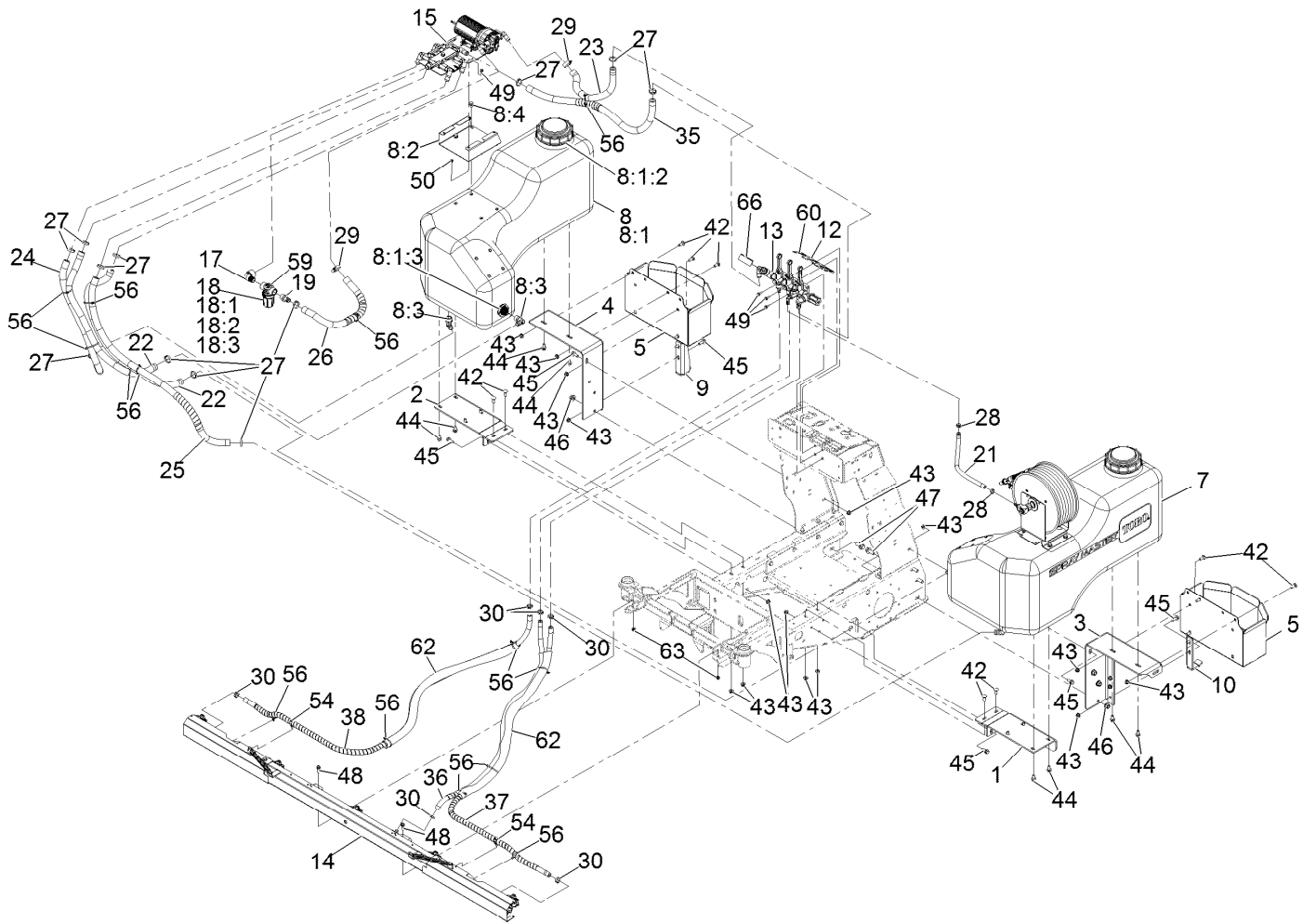
# Fuel Tank Assembly No. 140-4343



## Fuel Tank Assembly No. 140-4343 (continued)

<i>Ref.</i>	<i>Part Number</i>	<i>Qty.</i>	<i>Description</i>	<i>Ref.</i>	<i>Part Number</i>	<i>Qty.</i>	<i>Description</i>
2	137-4119	1	Cap-Fuel, Ratcheting	5	46-6560	1	Bushing
3	114-0284	1	Grommet	6	109-9364	1	Fitting-Fuel (W/Line And Screen)
4	119-3547	1	Valve-Vent, Fuel				

# Spray System Assembly



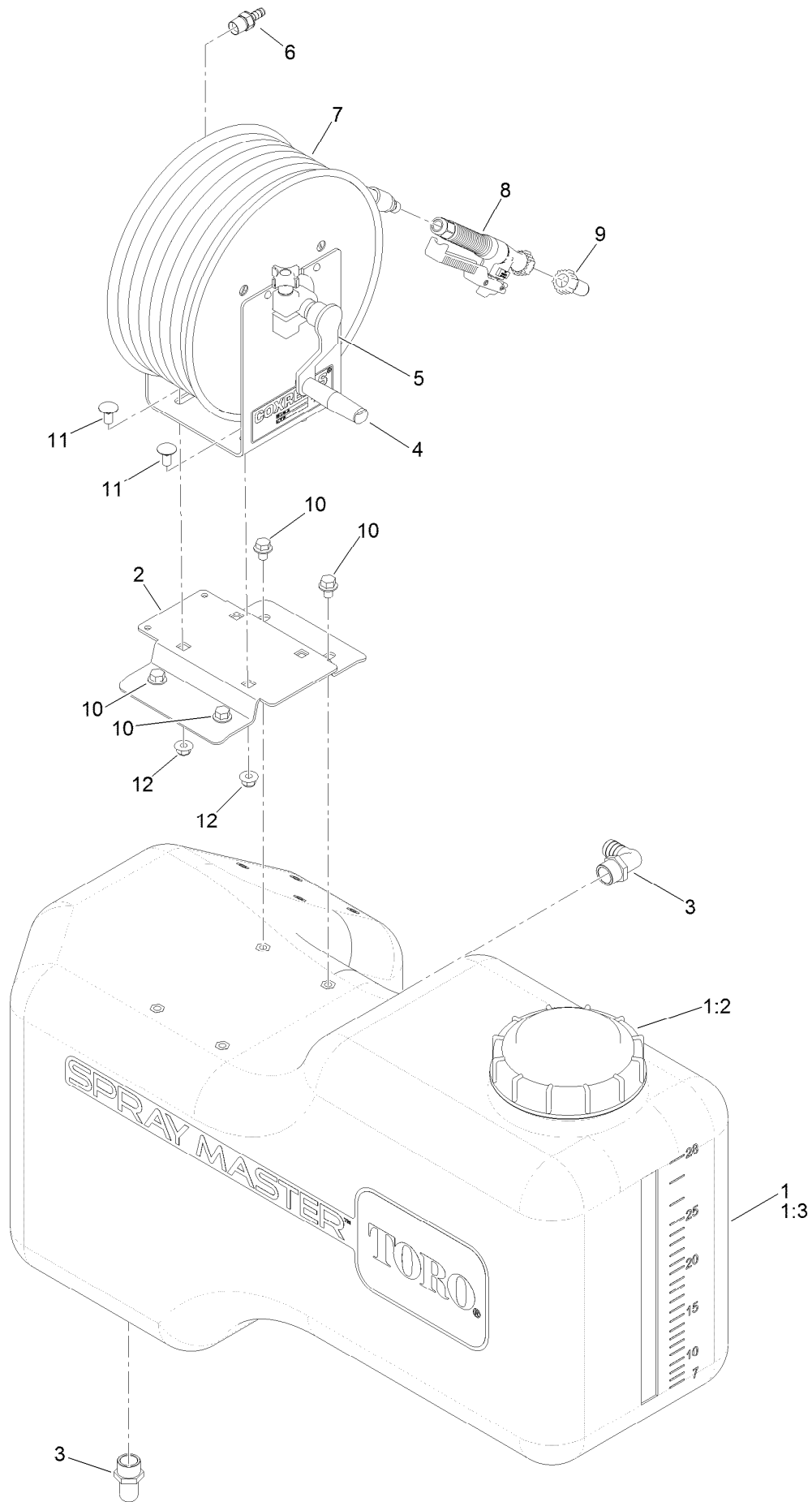
## Spray System Assembly (continued)

<i>Ref.</i>	<i>Part Number</i>	<i>Qty.</i>	<i>Description</i>	<i>Ref.</i>	<i>Part Number</i>	<i>Qty.</i>	<i>Description</i>
1	135-5495	1	Mount-Tank, LH	24	135-5326	1	Hose-Spray
2	135-5496	1	Mount-Tank, RH	25	135-5327	1	Hose-Spray, Wrapped
3	135-5395	1	Mount-Box, Lt	26	135-5325	1	Hose-Spray, Wrapped
4	135-5397	1	Mount-Box, Rt	27	135-5890	12	Clamp-Oetiker, 167
5	142-2436	2	Box-Fert, Max	28	135-5757	2	Clamp-Oetiker, 167
7		1	ASM-Tank Hose Reel ■	29	2412-129	2	Clamp-Hose
8		1	ASM-Tank Rt ■	30	135-5692	6	Clamp-Oetiker, 167
8:1	135-7870	1	ASM-Tank, Rt	35	135-6480	1	Hose-Spray, Wrapped
8:1:2	135-5916	1	Cap-Tank, Spray	36	135-5294	1	Hose-Spray, Wrapped
8:1:3	126-4393	2	Fitting-Bulkhead	37	135-5295	1	Hose-Spray, Wrapped
8:2	135-5546	1	Mount-Platform, Liquid Valve	38	135-5296	1	Hose-Spray, Wrapped
8:3	135-5772	2	Fitting-Elbow, 90	42	126-0980	12	Screw-CARR
8:4	135-7096	4	Screw-HHF	43	135-6110	22	Nut-Hex Flange
9	135-5408	1	Bracket-Tip, Anti (Rt)	44	135-6274	12	Screw-HHF
10	135-5406	1	Bracket-Tip, Anti (Lt)	45	135-6208	10	Screw-HHF
12	135-5570-05	1	Bracket-Manifold	46	135-6111	6	Nut-Hex Flange
13		1	ASM-Manifold ■	47	135-6207	6	Screw-HHF
14		1	ASM-Boom, Spray ■	48	135-6272	2	Screw-HHF
15		1	ASM, Liquid Valve ■	49	135-6221	7	Screw-HHF
17	132-7706	1	Elbow-90 DEG	50	135-6108	4	Nut-Hex Flange
18	135-5765	1	Strainer-Inline	54	32180-030	2	Clip-Tie
18:1	126-7195	1	Bowl-Strainer	56	3290-378	14	Tie-Cable
18:2	126-2272	1	Gasket-Head, Line Strainer	59	135-6424	1	Decal-Cap, Strainer
18:3	135-5766	1	Screen-Strainer, 50 Mesh	60	135-6285	1	Decal-Valve, Boom
19	41257	1	Hosebarb	62	135-6484	2	Guard-Mesh
21	135-5321	1	Hose-Spray	63	135-6109	2	Nut-Hex Flange
22	135-6163	2	Hose-Spray	66	142-3437	1	Gauge-Plain
23	135-5324	1	Hose-Spray	99	3290-379	3	Tie-Cable ●

● Not illustrated

■ Not serviced separately

# Tank Hose Reel Assembly



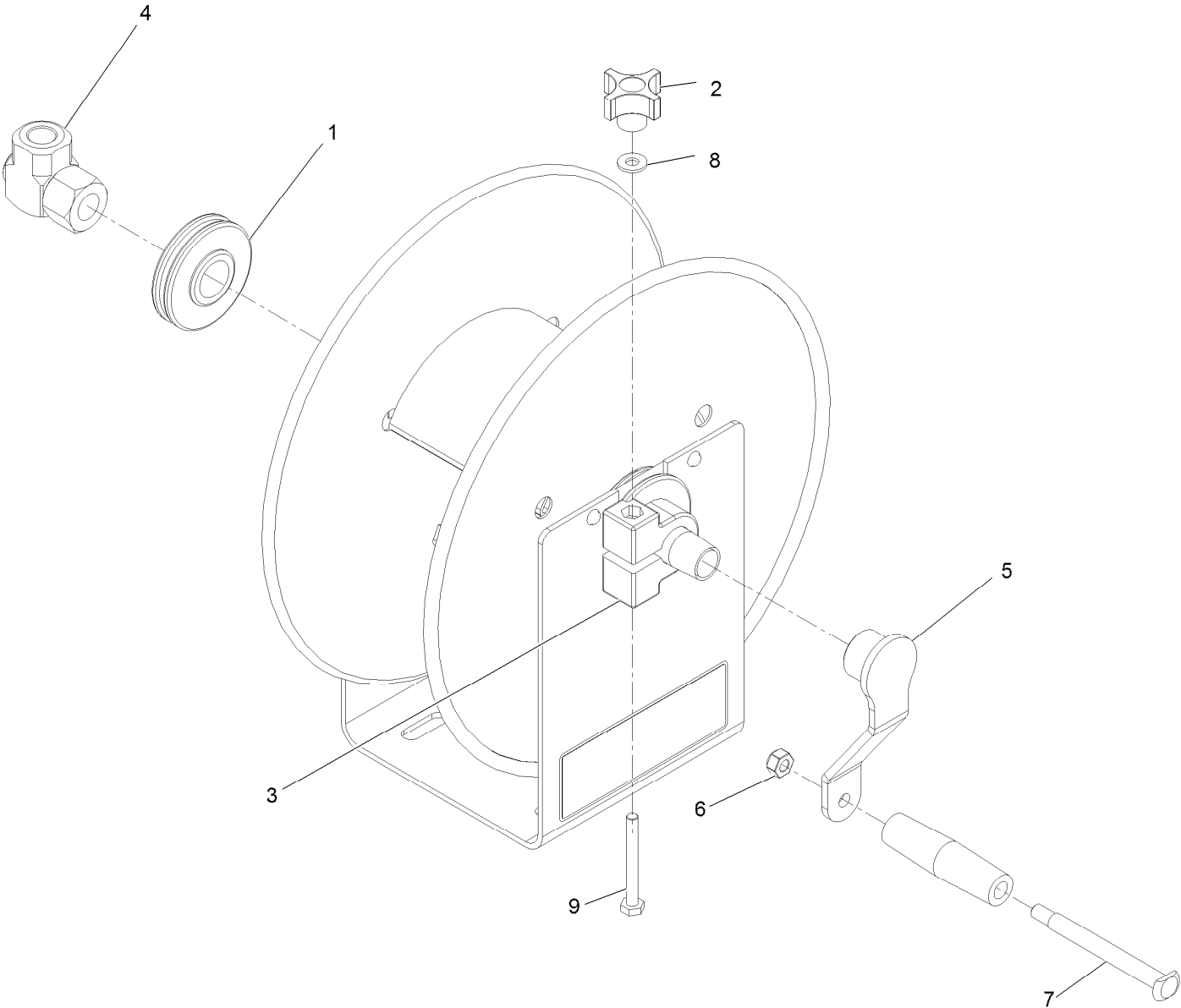


## Tank Hose Reel Assembly (continued)

<i>Ref.</i>	<i>Part Number</i>	<i>Qty.</i>	<i>Description</i>	<i>Ref.</i>	<i>Part Number</i>	<i>Qty.</i>	<i>Description</i>
1	135-7868	1	ASM-Tank, Lt	7	135-5794	1	Hose-Spray, 75'
1:2	135-5916	1	Cap-Tank, Spray	8	135-5773	1	Gun-Spray, Spot
1:3	126-4393	2	Fitting-Bulkhead	9	135-5778	1	Tip-Spray, #12 Spot
2	135-5497	1	Mount-Reel, Hose	10	135-7096	4	Screw-HHF
3	135-5772	2	Fitting-Elbow, 90	11	135-6271	4	Screw-Carriage
4	135-5787	1	Reel-Hose	12	135-6110	4	Nut-Hex Flange
5	135-6011	1	Crank-Reel	13	135-5757	1	Clamp-Oetiker, 167 ●
6	1-513200	2	Fitting, Male				

● Not illustrated

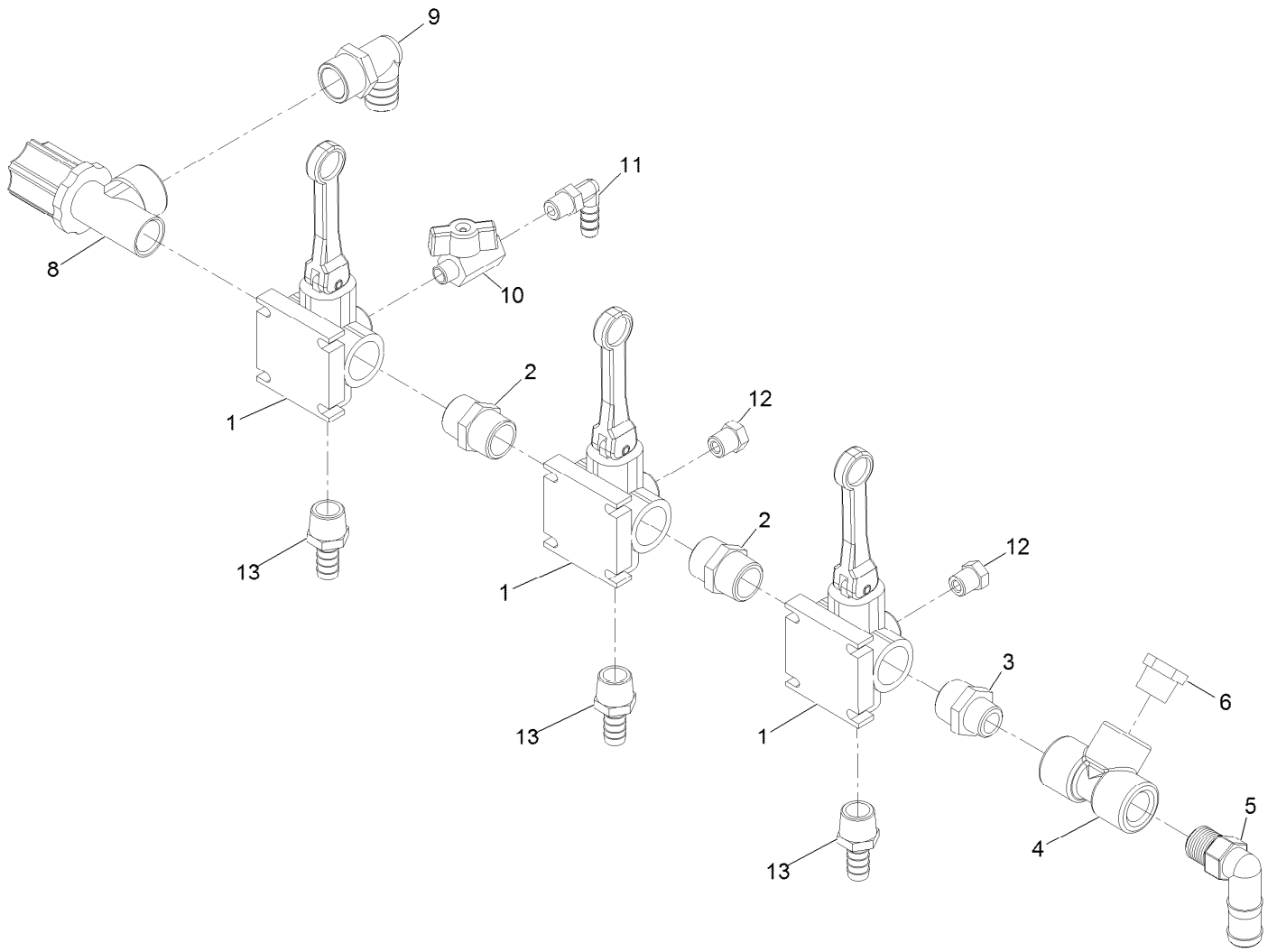
# Reel Hose Assembly



## Reel Hose Assembly (continued)

<i>Ref.</i>	<i>Part Number</i>	<i>Qty.</i>	<i>Description</i>	<i>Ref.</i>	<i>Part Number</i>	<i>Qty.</i>	<i>Description</i>
1	135-8439	1	Plastic Bearing	6	119-4038	1	Nut-Hex Nyloc 5/16-18
2	135-8437	1	Hose Reel Brake Knob	7	135-8436	1	Bolt, Hose Reel Handle
3	135-8438	1	Brake/Bearing 6329-1-1	8	120-9679	1	Washer-Flat
4	135-8421	1	Swivel 3/8" Npt	9	321-18	1	Screw-HH 1/4-20 X 2 1/4
5	135-6011	1	Crank-Reel				

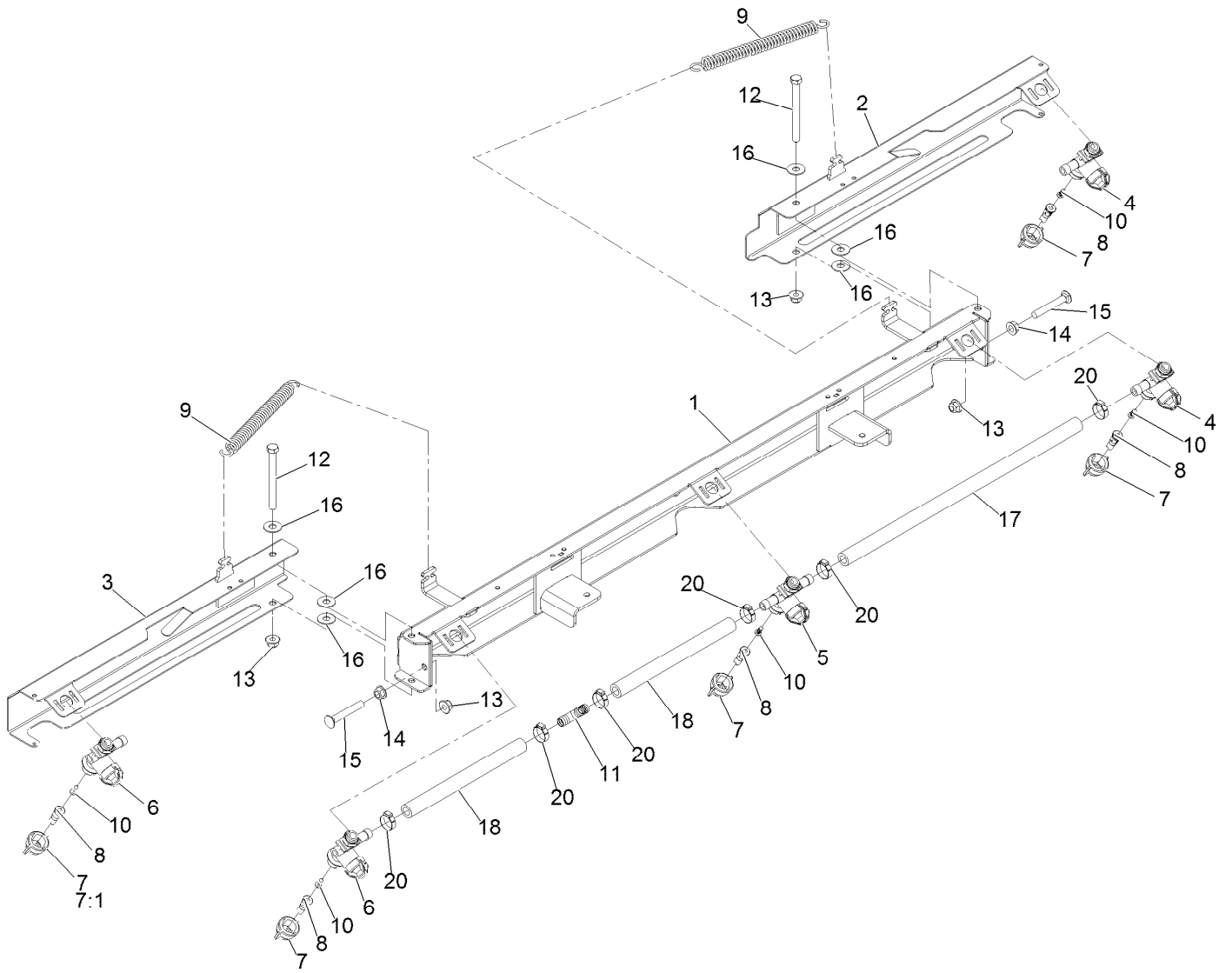
# Manifold Assembly



## Manifold Assembly (continued)

<i>Ref.</i>	<i>Part Number</i>	<i>Qty.</i>	<i>Description</i>	<i>Ref.</i>	<i>Part Number</i>	<i>Qty.</i>	<i>Description</i>
1	135-5721	3	Valve-Directo	8	135-5736	1	Valve-Throttle
2	135-5741	2	Fitting-Nipple	9	135-5772	1	Fitting-Elbow, 90
3	135-5742	1	Fitting-Nipple	10	135-5737	1	Valve-Chrome, 1/4
4	94-7100	1	Tee	11	135-5745	1	Fitting-Elbow, 90
5	92-8557	1	Elbow-90	12	135-5735	2	Plug-Valve
6	135-5743	1	Fitting-Reducer	13	120-8671	3	Fitting-Hosebarb

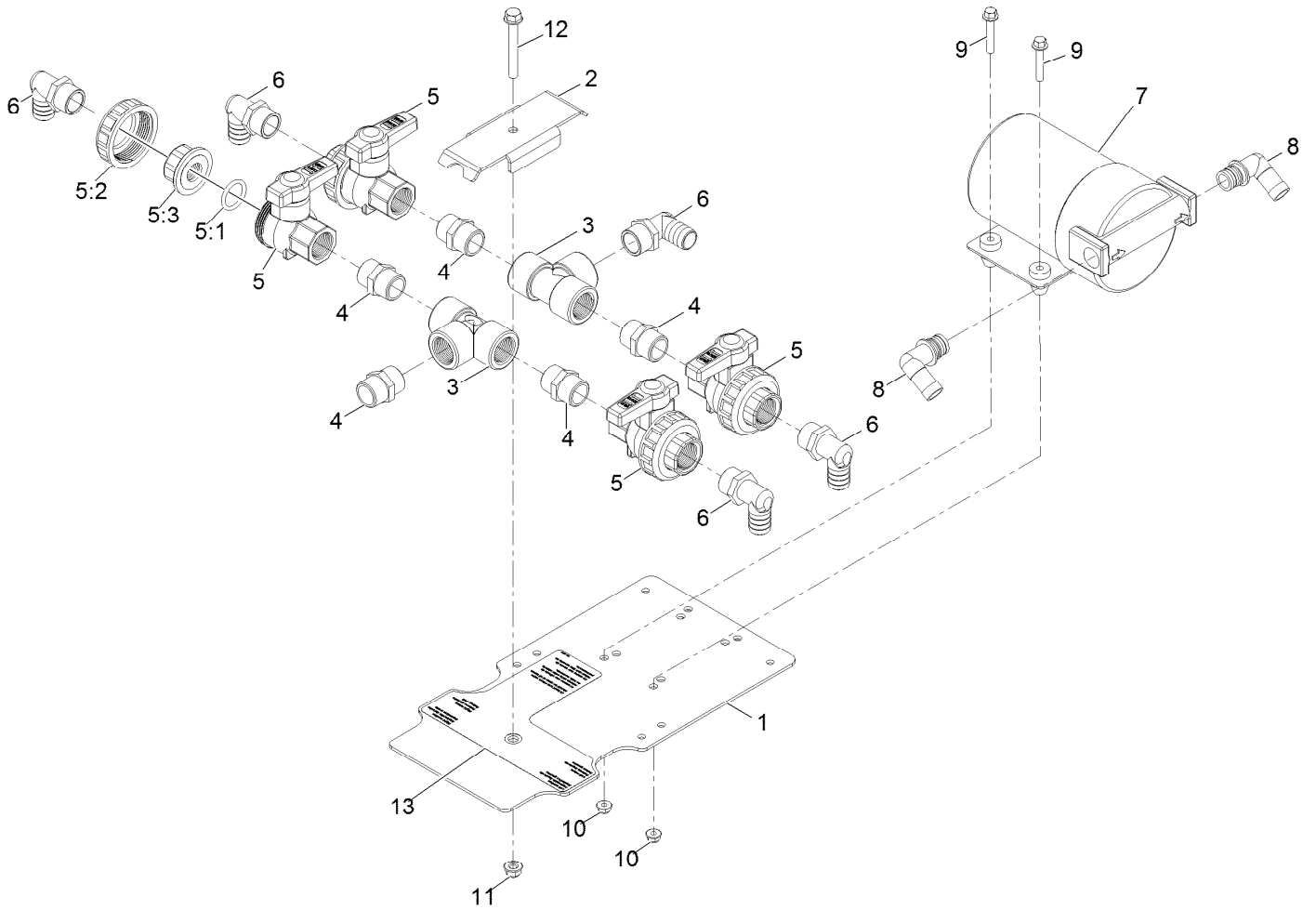
# Spray Boom Assembly



## Spray Boom Assembly (continued)

<i>Ref.</i>	<i>Part Number</i>	<i>Qty.</i>	<i>Description</i>	<i>Ref.</i>	<i>Part Number</i>	<i>Qty.</i>	<i>Description</i>
1	135-5409	1	Boom-Center	11	138-2751	1	Fitting-Tee, Barb
2	135-5415	1	Boom-Wing, Rt	12	135-6310	2	Screw-HH 3/8-16 X 4 SS
3	135-5419	1	Boom-Wing, Lt	13	135-6110	4	Nut-Hex Flg 3/8-16 SS W/Patch SS
4	135-5790	2	Body-Nozzle, Right	14	135-6806	2	Nut-Hex Flange 3/8-16 Serrated SS
5	135-5789	1	Body-Nozzle, Center	15	126-0702	2	Bolt-Carriage 3/8-16 X 2 1/2 SS
6	135-5788	2	Body-Nozzle, Left	16	1126	6	Washer-Flat
7	135-5781	5	Cap-Nozzle	17	135-7106	1	Hose-Spray
7:1	40998	1	Seat-Gasket	18	135-7105	2	Hose-Spray
8	142-3308	5	Tip-Spray, 025	20	135-5692	6	Clamp-Oetiker, 167
9	135-5780	2	Spring-Extension				
10	126-3943	5	Strainer-Nozzle, 50M 5PSI Check				

# Liquid Valve Assembly

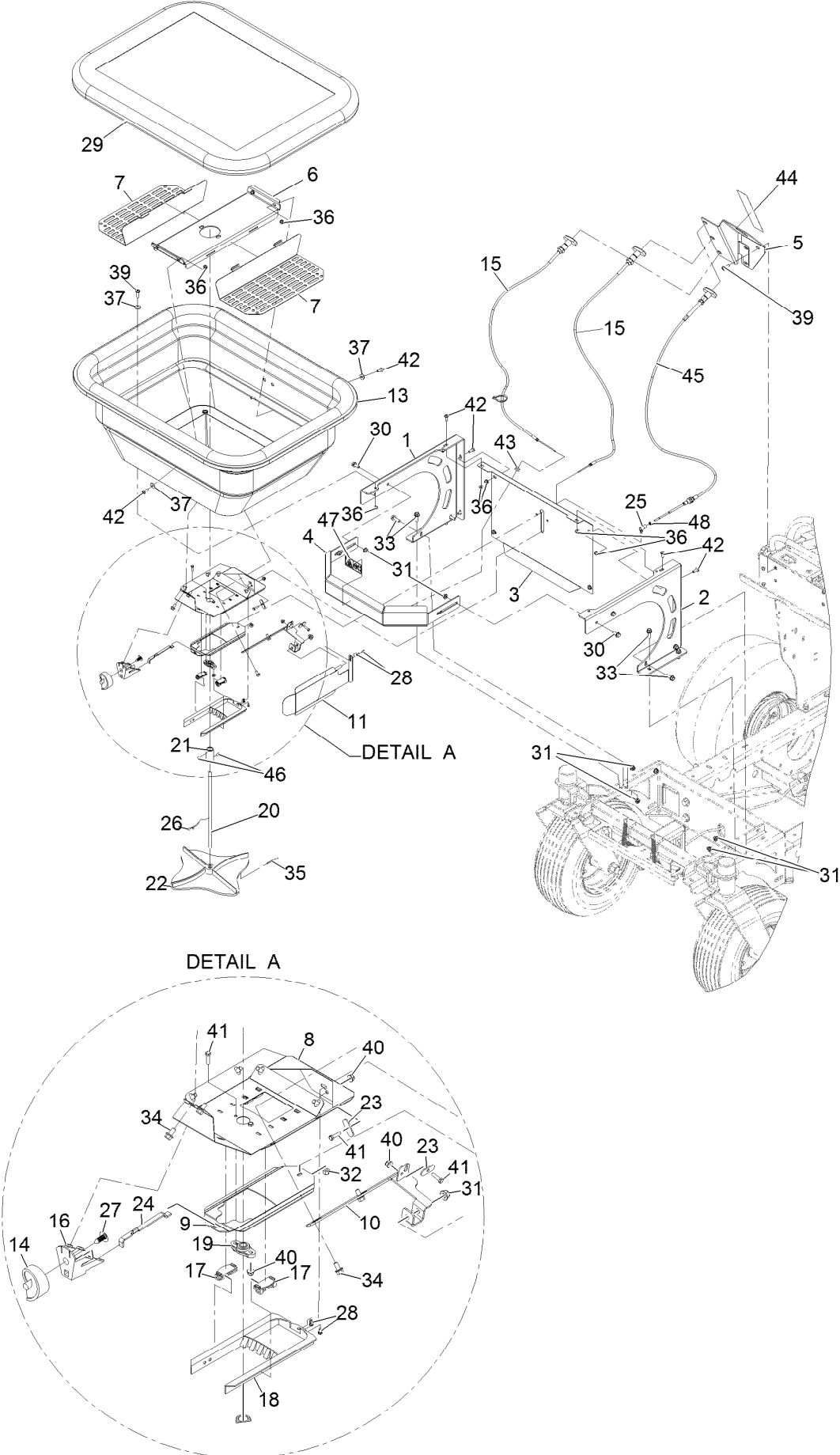




## Liquid Valve Assembly (continued)

<i>Ref.</i>	<i>Part Number</i>	<i>Qty.</i>	<i>Description</i>	<i>Ref.</i>	<i>Part Number</i>	<i>Qty.</i>	<i>Description</i>
1	135-5491	1	Mount-Plate, Liquid Valve	8	135-6003	2	Fitting-Elbow, 3/4Qd X 3/4Barb
2	135-5504	1	Plate-Clamp, Liquid Valve Fittings	9	135-6320	4	Screw-HHF 1/4-20 X 1 1/2 Serrated SS
3	135-6004	2	Fitting-Tee	10	135-6108	4	Nut-Hex Flg 1/4-20 Nyloc SS
4	135-5741	5	Fitting-Nipple	11	135-6109	1	Nut-Hex Flg 5/16-18 Nyloc SS
5	135-6002	4	Valve-Union, 3/4	12	135-6323	1	Screw-HHF 5/16-18 X 2 1/2 Serrated SS
5:1	135-6006	1	O-Ring	13	135-6420	1	Decal-Valve, Tank
5:2	135-6007	1	Ring-Valve, Union 3/4				
5:3	135-6008	1	Adapter-Uv, 3/4				
6	135-5772	5	Fitting-Elbow, 90				
7	135-8324	1	7.0 Remco Pump				

# Hopper Assembly



## Hopper Assembly (continued)

<i>Ref.</i>	<i>Part Number</i>	<i>Qty.</i>	<i>Description</i>	<i>Ref.</i>	<i>Part Number</i>	<i>Qty.</i>	<i>Description</i>
1	135-5391	1	Side-Hopper, Rt	27	126-0986	1	Clip
2	135-5393	1	Side-Hopper, Lt	28	135-5961	2	Retainer-Cable, Wire
3	135-5571	1	Backshield-Hopper	29	135-7981	1	Cover-Hopper, Large
4	135-5567	1	Bumper-Front, Hopper	30	126-2712	4	Screw-HHF
5	142-3283-05	1	Mount-Speedometer	31	135-6109	13	Nut-Hex Flange
6	135-5542	1	Pan-Hopper, 220	32	HDW05856	1	Nut-NYL
7	135-5544	2	Screen-Hopper, 220				Lock,#10-32,ST/ST 18-8
8	135-5572	1	Plate-Base, Hopper	33	135-6272	8	Screw-HHF
9	135-5573	1	Slide-Door, Hopper	34	135-6280	8	Screw-HHF, 1/4-20 X 1/2, Ser Flg, SS
10	135-5388	1	Mount-Deflector, Side	35	135-6340	1	Pin-Cotter
11	135-5589	1	Deflector-Side, Spreader	36	135-6108	14	Nut-Hex Flange
13	135-5985	1	Hopper-220Lb	37	135-6341	8	Washer
14	126-0988	1	Dial	39	135-7081	5	Screw-Hsbhf
15	135-5931	2	Cable-Push/Pull	40	135-6342	4	Nut-Hex Flange
16	126-0985	1	Mount-Dial	41	135-6356	4	Screw-HH
17	126-0990	4	Guide-Rate, Gate	42	135-7080	10	Screw-Hsbhf
18	126-0991	1	Diffuser	43	135-5988	1	Grommet-Rubber
19	135-5943	1	Bearing-Flange	44	142-3351	1	Decal-Hopper Control
20	135-5936	1	Shaft-Hopper, 220	45	135-5935	1	Cable-Push/Pull
21	135-5937	1	Coupler-SS	46	3241-7	2	Screw-SQH
22	135-5954	1	Spinner-Spreader	47	135-6725	1	Decal-Dismemberment Hazard
23	135-5569	2	Retainer, Cable	48	520-0019	1	Nut-Hex, Jam
24	135-5965	1	Linkage-Gate, Rate	50	3290-378	1	Tie-Cable ●
25	135-5682	1	Ball Joint-SS				
26	135-5957	1	Wire-Agitator				

● Not illustrated

# Attachments and Accessories

## For 34237 52in (7 GPM) Sprayer Spray Master Max

<b>Product Name</b>	<b>Model/Part</b>
Foam Marker Kit .....	135-6663
7 Gallon Auxiliary Tank Kit .....	142-2269
7 Gallon Isolated Tank Kit .....	142-2270
30 Gallon Auxiliary Tank Kit .....	142-2271
Tip-Spray, 015 .....	142-3306
Tip-Spray, 02 .....	142-3307
Tip-Spray, 025 .....	142-3308
Tip-Spray, 03 .....	142-3309
Tip-Spray, 04 .....	142-3310
Tip-Spray, 05 .....	142-3311
Tip-Spray, 06 .....	142-3312

**Notes:**

**Notes:**

**Notes:**



**Count on it.**