



Count on it.

Parts Catalog

**Flex-Force Power System™ 60V
MAX**

Snowthrower

Model No. 31853T—Serial No. 40000000 and Up



Ordering Replacement Parts

To order replacement parts, please supply the part number, the quantity, and the description of each part desired.

Understanding Reference Numbers

Each identified part in an illustration has a reference number. The reference number for a part also appears in the parts list, along with other information about the part.

This catalog uses two special reference number formats, one to indicate parts in a service assembly and another to indicate the quantity of a given part in an illustration.

Service Assembly Reference Numbers

Parts in service assemblies have reference numbers in the form a:b. The a represents the reference number of the entire service assembly and the b represents a sequential number unique to each part within the service assembly.

For example, a wheel assembly might be identified by reference number 6, the tire by 6:1, the valve by 6:2, and the wheel by 6:3. When you order the assembly identified by reference number 6, you receive all parts identified by reference numbers 6:1, 6:2, and 6:3. However, you may also order any part individually. Reference numbers of this type appear in illustration and in parts lists.

Reference Numbers Indicating Quantity

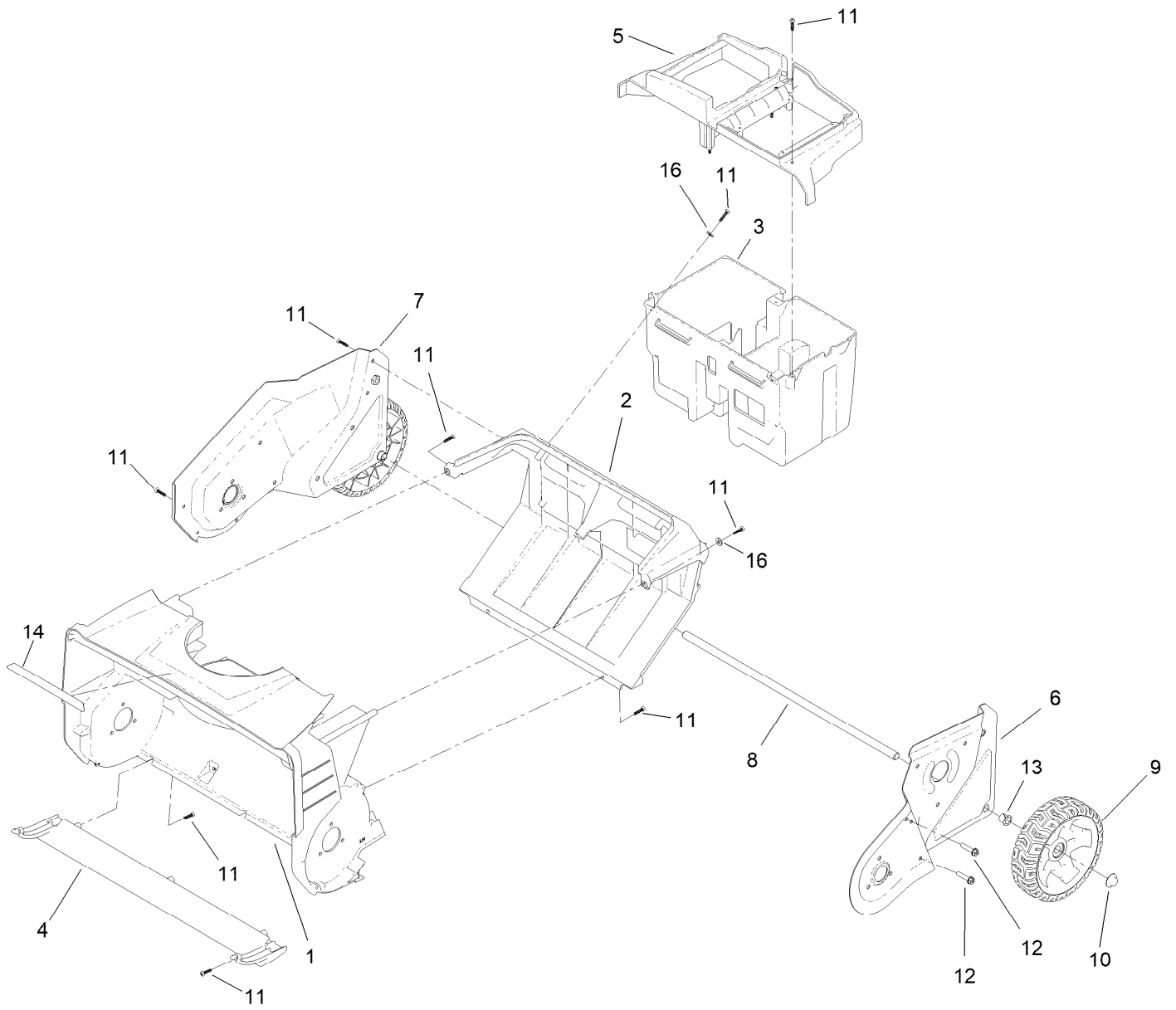
In an illustration, if a reference number indicates more than one part, the reference number has the form nX y. The n represents the quantity of the part, the X is the multiplication symbol, and the y represents the reference number.

For example, in an illustration, the reference number 2X 37 means that two of the parts identified by reference number 37 are indicated.

Contents

Frame Assembly 4
Drive Belt Assembly 6
Chute Assembly 8
Handle Assembly 10
Electrical Assembly 12

Frame Assembly



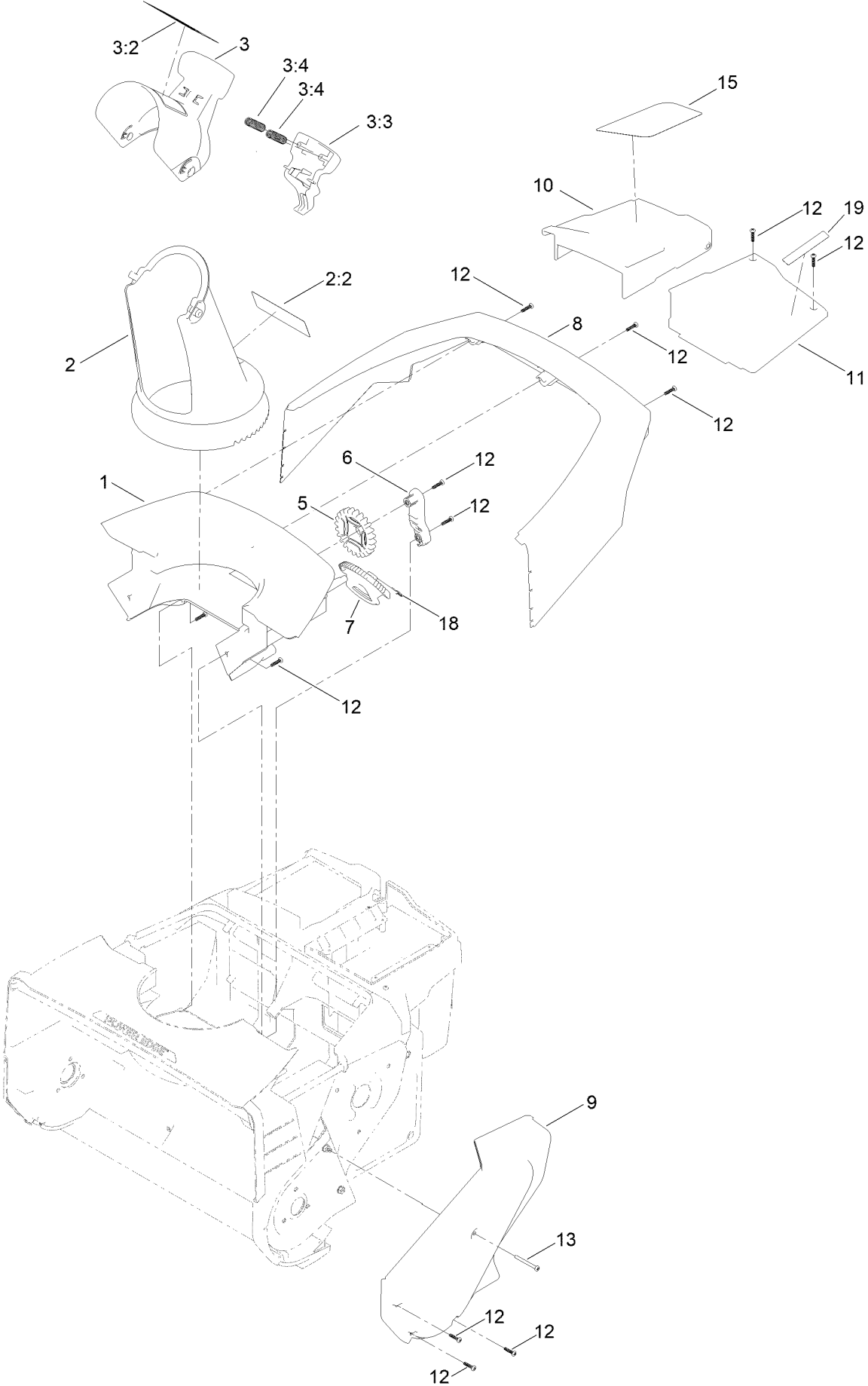
Frame Assembly (continued)

<i>Ref.</i>	<i>Part Number</i>	<i>Qty.</i>	<i>Description</i>	<i>Ref.</i>	<i>Part Number</i>	<i>Qty.</i>	<i>Description</i>
1	137-2276	1	Housing	9	137-9428	2	Wheel ASM
2	137-2280	1	Bulkhead	10	32112-14	2	Nut-Push
3	137-9425	1	Container-Battery	11	94-4496	25	Screw-PPH
4	137-2277	1	Scraper	12	137-3101	4	Screw-Plastic, HWH
5	137-9426	1	Skirt-Container, Battery	13	256-257	2	Bushing-Nyliner
6	137-9391	1	Plate-Frame Assembly, LH	14	137-2333	1	Decal-Power Edge
7	137-9393	1	Plate-Frame Assembly, RH	16	137-3073	6	Washer-Plain
8	137-2256-03	1	Axle				

Drive Belt Assembly (continued)

<i>Ref.</i>	<i>Part Number</i>	<i>Qty.</i>	<i>Description</i>	<i>Ref.</i>	<i>Part Number</i>	<i>Qty.</i>	<i>Description</i>
1	137-9385	1	Rotor ASM	3	137-9389	1	Extension-LH
1:1	132-9198	1	Shaft-Rotor	4	137-9388	1	Extension-RH
1:2	132-9161	1	LH Rotor Blade ASM	5	117-7720	1	Cap-Sideplate, RH
1:3	132-9162	1	RH Rotor Blade ASM	6	32144-85	6	Screw-HWH
1:4	137-9386	2	Rotor-Center	7	137-2320	1	Rotor Pulley ASM (6 Groove)
1:5	137-9387	2	Paddle-Center	8	3290-456	1	Washer-Belleville
1:6	137-9471	8	Screw-CARR	9	137-3014	1	Screw-HH Lock
1:9	132-9169	2	Pin-Spiral	10	137-9427	1	Belt-V, Ribbed
1:12	137-9468	1	Ring-Snap, External				
2	38-7820	2	Bearing-Ball				

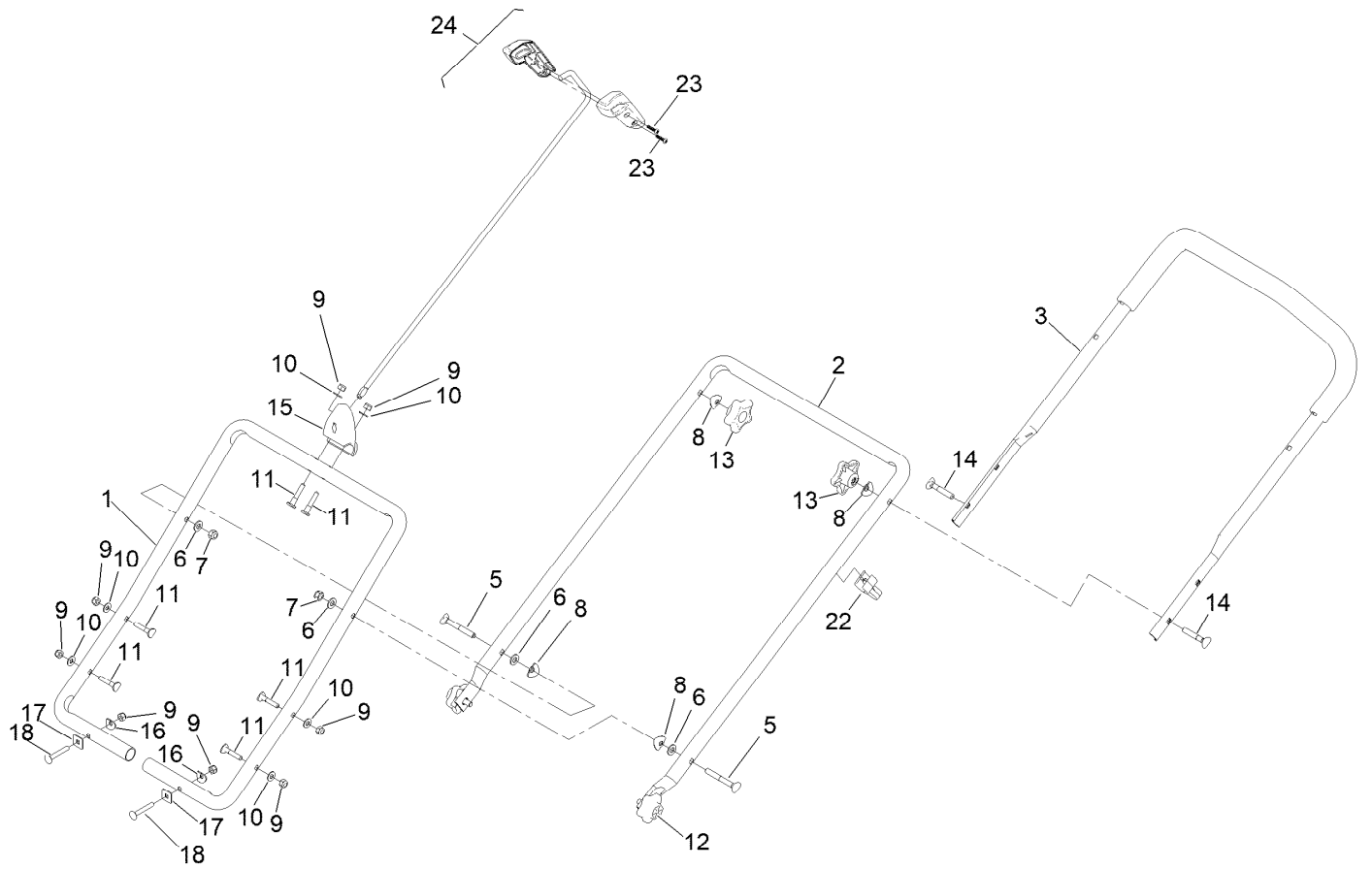
Chute Assembly



Chute Assembly (continued)

<i>Ref.</i>	<i>Part Number</i>	<i>Qty.</i>	<i>Description</i>	<i>Ref.</i>	<i>Part Number</i>	<i>Qty.</i>	<i>Description</i>
1	137-2278	1	Chute-Rear	8	137-2279	1	Shroud
2	139-5239	1	Chute	9	137-9431	1	Cover-Belt
2:2	114-9035	1	Decal-Danger, Discharge	10	139-5238	1	Cover-Battery
3	139-5240	1	Deflector-Chute	11	137-2283	1	Cover-Controller
3:2	114-9034	1	Decal-Danger	12	94-4496	14	Screw-PPH
3:3	117-2314	1	Trigger-Deflector	13	110-3143	1	Screw-Plastic, PPH
3:4	136-7136	2	Spring-Compression	15	137-2332	1	Decal-Battery, 60V Snow
5	137-2271	1	Gear-Chute	18	139-5229	1	Clip-Handle
6	137-2270	1	Bracket-Gear	19	144-3097	1	Decal-Brushless
7	139-5234	1	Gear-Sector				

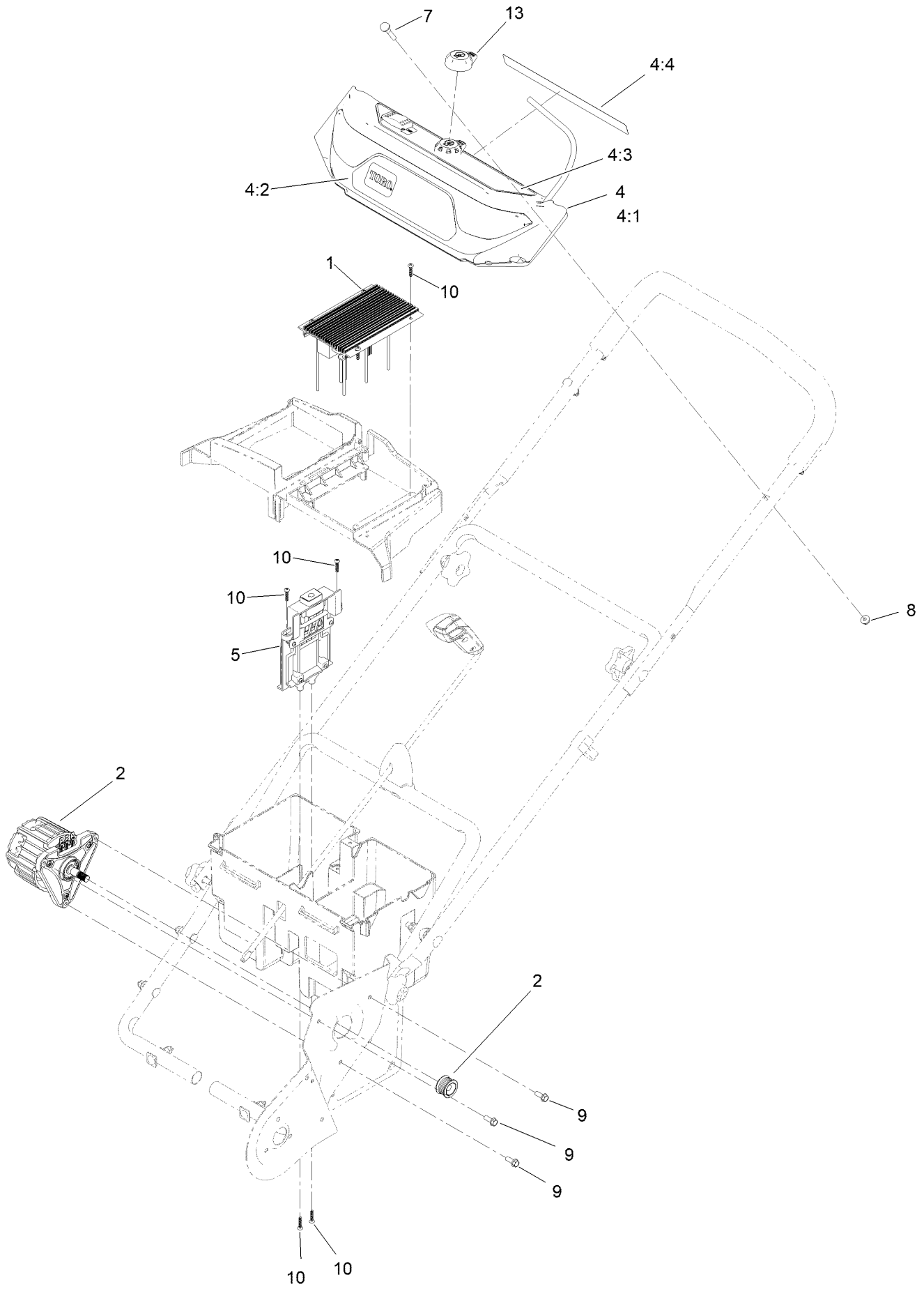
Handle Assembly



Handle Assembly (continued)

<i>Ref.</i>	<i>Part Number</i>	<i>Qty.</i>	<i>Description</i>	<i>Ref.</i>	<i>Part Number</i>	<i>Qty.</i>	<i>Description</i>
1	132-9183	1	Handle-Lower	12	137-9390	2	Knob-Handle
2	132-9184	1	Handle-Middle	13	117-5976	2	Knob-Handle
3	137-2326	1	Upper Handle ASM	14	137-3107	2	Screw-Handle
5	137-9479	2	Screw-Handle	15	137-9303	1	Guide-Rod, Chute
6	120-9683	4	Washer-Plain	16	3-7501	2	Washer
7	137-3093	2	Nut-Hex	17	75-9040	2	Washer-Square
8	137-3009	4	Washer-Cup	18	120-9698	2	Bolt-CARR
9	137-3094	8	Nut-Hex	22	114-7988	1	Guide-Cable
10	139-1699	6	Washer-Flat	23	94-4496	2	Screw-PPH
11	117-7737	6	Screw-Handle	24	139-5244	1	Handle ASM

Electrical Assembly



Electrical Assembly (continued)

<i>Ref.</i>	<i>Part Number</i>	<i>Qty.</i>	<i>Description</i>	<i>Ref.</i>	<i>Part Number</i>	<i>Qty.</i>	<i>Description</i>
1	137-9424	1	Motor-Driver, Snow (60V)	5	137-9435	1	Battery Track Assembly
2	140-2171	1	Motor-60V	7	117-7737	4	Screw-Handle
4	137-2347	1	Dash Panel ASM W/Decals	8	119-4040	4	Nut-Flange, NI
4:1	137-2346	1	Dash Panel ASM	9	32144-85	3	Screw-HWH
4:2	137-2259	1	Decal-Power Clear	10	94-4496	8	Screw-PPH
4:3	137-2258	1	Decal-Operation	13	139-5255	1	Key-Bail
4:4	137-2257	1	Decal-Caution				

Notes:

Notes:



Count on it.